

KONICA MINOLTA

PARTS GUIDE MANUAL

MARCH 2018

DF-628
A7V7

INFORMATION FOR PARTS GUIDE MANUAL

To find correct Parts No., refer to the "HOW TO MAKE THE BEST USE OF THIS MANUAL" in the following page.

HOW TO MAKE THE BEST USE OF THIS MANUAL

- 1 When you order, please check the proper figures beforehand that are on Our Parts Guide Manual, and order with the appropriate figures.
- 2 For screws, Nuts, Washers, retaining rings and Pins which are used in this model, one letter is shown on the Standard parts column of Parts list and exploded diagrams.
- 3 In order to maintain safety of the product, some specific parts composed of this product are set up as "essential safety parts".
- 4 The assigned parts number for the "essential safety parts" is indicated as "SP00-****".
When replacing these parts, follow precautions for disassembling and installing which are listed in the Service Manual.
Do not use any parts that are not set up as
- 5 ♣ means that there are exclusive parts for each destination.
Please check the appropriate destination when you order.
- 6 Revision Mark
Marked as ▲ on the illustration shows that the revision has been made.
- 7 All rights reserved. (any reprints or quotations are prohibited.)
Use of this parts guide manual should be strictly supervised to avoid disclosure of confidential information.

パーツガイドマニュアルのご案内

サービス部品をご発注の際には、下記に示す“パーツガイドマニュアルの活用にあたって”をご参照の上、正しい部品番号にてお願い致します。

パーツガイドマニュアルの活用にあたって

- 1 部品発注の際には、掲載されている部品番号の桁数を確認し、掲載されている桁数で発注願います。
- 2 この製品に使用されているネジ、ナット、ワッシャー、止め輪、ピンなどは、リストの右側の Standard parts 欄に a,b,c,…… で表示し、イラストにも a,b,c,…… 表示してあります。
- 3 製品の安全性を維持する為に、製品に使用される特定の部品を「重要保安部品」として設定しています。
- 4 重要保安部品の部品番号は、“SP00-****”と記載されていますので、部品交換時は、サービスマニュアル記載の分解・組み立ての注意事項に従って作業をして下さい。
また、指定以外の部品は一切使用しないで下さい。
- 5 本文に ♣ が表示されている部品は、仕向け地毎に専用部品がある事を意味しています。
オーダーされる時は、仕向け地を確認して下さい。
- 6 改訂記号について
イラスト上に ▲ 印が表示されている部分は、改訂された事を表します。
- 7 著作権所有（無断転載及び無断引用の禁止）
本パーツガイドマニュアルについては、機密保持等その扱いには十分注意して下さい。万一取り扱いを誤った場合には、法律で処罰されることがあります。

CONTENTS

| No. | DESCRIPTION | 名称 | PAGE No. |
|-----|-----------------------------|---------|----------------------------------|
| 1 | EXTERNAL PARTS | 外装部 | P1 P2 |
| 2 | PAPER FEED TRAY SECTION | 給紙トレイ部 | P3 |
| 3 | PAPER TAKE-UP SECTION | 給紙部 | P4 P5 P6 P6A |
| 4 | PAPER TRANSPORT SECTION | 搬送部 | P7 P8 P9 P10 P10A P11 P12 P13 |
| 5 | ACCESSORY PARTS | 同梱部品 | P14 |
| 6 | WIRING ACCESSORIES AND JIGS | 配線部品・治具 | P15 |

INDEX

| Parts No. | Page No. |
|-------------|----------|
| A4030300501 | 6A-22 |
| 9J06PJG100 | 15-1 |
| A108M50000 | 3-5 |
| A143114600 | 14-3 |
| A143563100 | 6-19 |
| A143563300 | 6-9 |
| A143563300 | 6A-24 |
| A143PP1A01 | 11-2 |
| A143PP1B00 | 5-4 |
| A143PP1B00 | 11-3 |
| A143PP1M00 | 8-16 |
| A143PP1M00 | 9-5 |
| A143PP1R00 | 12-3 |
| A143PP1X00 | 13-7 |
| A143PP1Y00 | 5-6 |
| A143PP1Y00 | 11-1 |
| A143PP2801 | 2-4 |
| A143PP2C00 | 12-4 |
| A143PP3P01 | 13-10 |
| A143PP4D02 | 9-9 |
| A143PP4H01 | 9-16 |
| A143PP4Y00 | 6-13 |
| A143PP5000 | 6-11 |
| A143PP5101 | 6-12 |
| A143PP5200 | 6-7 |
| A143PP5200 | 6A-13 |
| A143PP5301 | 6-6 |
| A143PP5301 | 6A-12 |
| A143PP5403 | 6-14 |
| A143PP5601 | 6-17 |
| A143PP5901 | 6-16 |
| A143PP5901 | 6A-19 |
| A143PP5A00 | 6-10 |
| A143PP5A00 | 6A-23 |
| A143PP5B01 | 6-15 |
| A143PP5B01 | 6A-21 |
| A143PP5F01 | 4-2 |
| A143PP5J01 | 5-11 |
| A143PP5K01 | 5-12 |
| A143PP5M01 | 5-13 |

| Parts No. | Page No. |
|------------|----------|
| A143PP5R04 | 4-3 |
| A143PP5T03 | 6-5 |
| A143PP5T03 | 6A-8 |
| A143PP5U03 | 6-4 |
| A143PP5U03 | 6A-11 |
| A143PP5V00 | 4-4 |
| A143PP5X00 | 4-8 |
| A143PP5Y01 | 6-8 |
| A143PP5Y01 | 6A-14 |
| A143PP6100 | 4-5 |
| A143PP6601 | 6-18 |
| A143PP6800 | 5-7 |
| A143PP6800 | 11-10 |
| A143PP6900 | 5-3 |
| A143PP6F01 | 3-8 |
| A143PP6K01 | 3-13 |
| A143PP6M01 | 3-12 |
| A143PP6X00 | 3-9 |
| A143PP7301 | 5-18 |
| A143PP7900 | 11-9 |
| A143PP8500 | 12-6 |
| A143PP8600 | 12-11 |
| A143PP8F00 | 12-8 |
| A143PP8Q03 | 1-2 |
| A143PP9300 | 8-8 |
| A143PP9G00 | 6-3 |
| A143PP9G00 | 6A-9 |
| A3CEPP3301 | 9-27 |
| A3CF103400 | 8-27 |
| A3CF103400 | 9-20 |
| A3CF113900 | 14-1 |
| A3CF116100 | 14-4 |
| A3CF116400 | 14-2 |
| A3CF213300 | 9-3 |
| A3CFPP1002 | 10-18 |
| A3CFPP1102 | 10-16 |
| A3CFPP1202 | 10-17 |
| A3CFPP1300 | 10-13 |
| A3CFPP1401 | 10-12 |
| A3CFPP1505 | 13-1 |

| Parts No. | Page No. |
|------------|----------|
| A3CFPP1600 | 6-21 |
| A3CFPP1600 | 6A-26 |
| A3CFPP1700 | 5-20 |
| A3CFPP1700 | 6A-7 |
| A3CFPP1803 | 9-30 |
| A3CFPP1902 | 11-8 |
| A3CFPP1A00 | 12-5 |
| A3CFPP1B00 | 12-2 |
| A3CFPP1C01 | 13-2 |
| A3CFPP1D00 | 8-20 |
| A3CFPP1E01 | 8-21 |
| A3CFPP1E02 | 8-21 |
| A3CFPP1F01 | 8-19 |
| A3CFPP1G00 | 9-11 |
| A3CFPP1H01 | 8-25 |
| A3CFPP1H02 | 8-25 |
| A3CFPP1J01 | 6-1 |
| A3CFPP1J01 | 8-22 |
| A3CFPP1K01 | 10-5 |
| A3CFPP1K01 | 10A-5 |
| A3CFPP1M01 | 11-4 |
| A3CFPP1N03 | 13-8 |
| A3CFPP1P00 | 10-19 |
| A3CFPP1P00 | 10A-19 |
| A3CFPP1Q00 | 13-4 |
| A3CFPP1R00 | 13-3 |
| A3CFPP1T01 | 12-15 |
| A3CFPP1U01 | 12-17 |
| A3CFPP1V03 | 12-14 |
| A3CFPP1X01 | 12-10 |
| A3CFPP1Y00 | 1-9 |
| A3CFPP2100 | 12-18 |
| A3CFPP2400 | 12-16 |
| A3CFPP2500 | 12-19 |
| A3CFPP2B01 | 9-12 |
| A3CFPP2C00 | 8-5 |
| A3CFPP2E00 | 8-18 |
| A3CFPP2E00 | 9-8 |
| A3CFPP2L00 | 12-20 |
| A3CFPP2Q01 | 10-20 |

| Parts No. | Page No. |
|------------|----------|
| A3CFPP2R01 | 2-2 |
| A3CFPP2T01 | 12-1 |
| A3CFPP2U01 | 12-12 |
| A3CFPP2X00 | 10-11 |
| A3CFPP3100 | 10-1 |
| A3CFPP3100 | 10A-1 |
| A3CFPP3400 | 8-23 |
| A3CFPP3500 | 8-26 |
| A3CFPP3600 | 9-6 |
| A3CFPP3800 | 8-24 |
| A3CFPP3900 | 8-13 |
| A3CFPP3C00 | 8-12 |
| A3CFPP3D01 | 8-9 |
| A3CFPP3E01 | 9-2 |
| A3CFPP3F01 | 8-6 |
| A3CFPP3G00 | 8-4 |
| A3CFPP3H00 | 8-15 |
| A3CFPP3J01 | 8-17 |
| A3CFPP3J01 | 9-4 |
| A3CFPP3M00 | 13-11 |
| A3CFPP3P01 | 8-10 |
| A3CFPP3R00 | 8-7 |
| A3CFPP3S03 | 10-2 |
| A3CFPP3S03 | 10A-2 |
| A3CFPP3T00 | 13-9 |
| A3CFPP3U00 | 10A-15 |
| A3CFPP3U00 | 10-15 |
| A3CFPP3V01 | 10A-10 |
| A3CFPP3V01 | 10-10 |
| A3CFPP3X00 | 10A-9 |
| A3CFPP3X00 | 10-9 |
| A3CFPP3Y01 | 10-4 |
| A3CFPP3Y01 | 10A-4 |
| A3CFPP4000 | 10-14 |
| A3CFPP4000 | 10A-14 |
| A3CFPP4101 | 10-8 |
| A3CFPP4101 | 10A-8 |
| A3CFPP4202 | 9-24 |
| A3CFPP4301 | 9-22 |
| A3CFPP4400 | 9-10 |

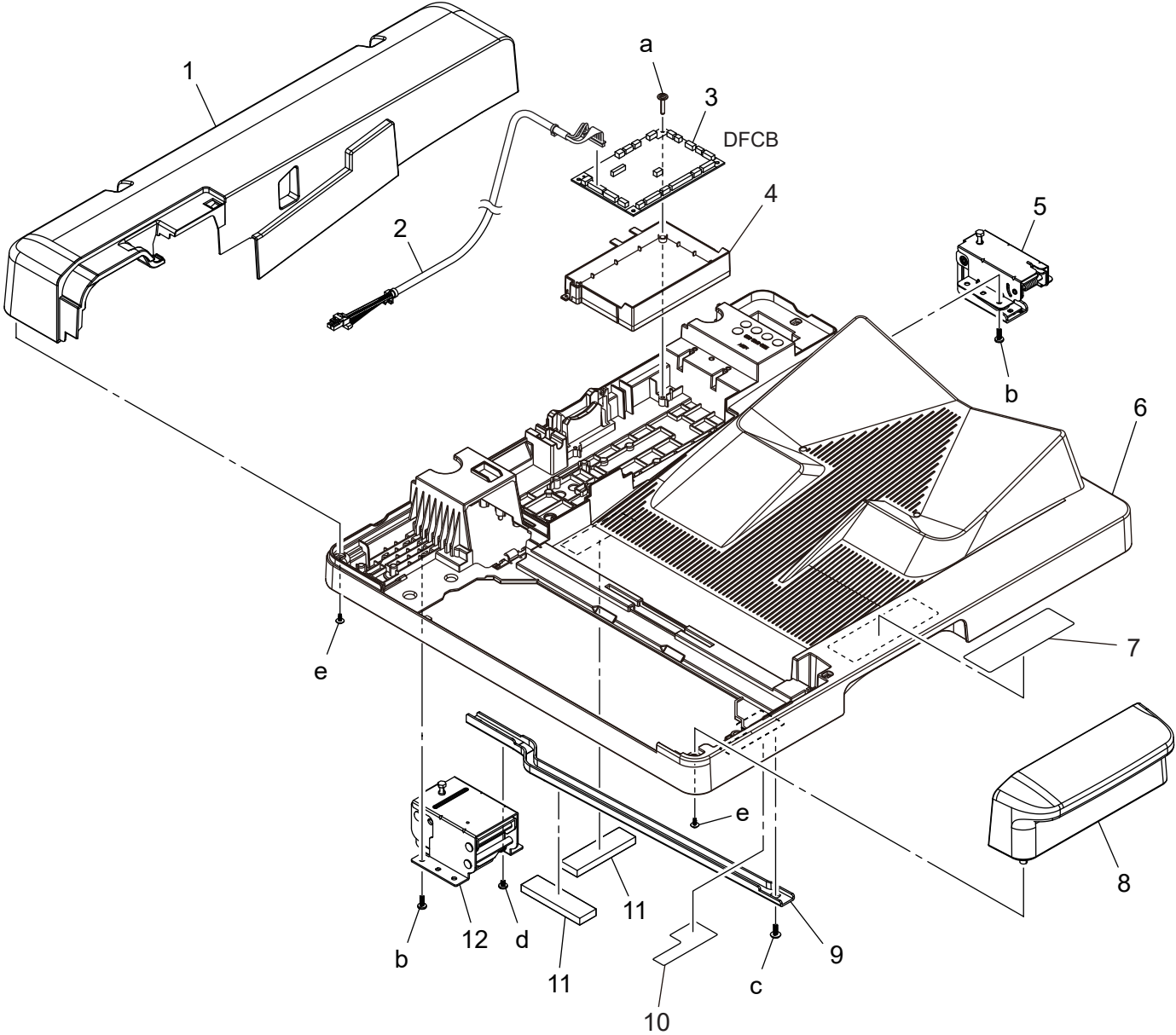
| Parts No. | Page No. |
|------------|----------|
| A3CFPP4500 | 9-25 |
| A3CFPP4600 | 9-26 |
| A3CFPP4700 | 9-18 |
| A3CFPP4800 | 9-15 |
| A3CFPP4900 | 9-17 |
| A3CFPP4A00 | 9-21 |
| A3CFPP4B00 | 9-23 |
| A3CFPP4C00 | 9-19 |
| A3CFPP4F00 | 9-28 |
| A3CFPP4G00 | 7-1 |
| A3CFPP4L00 | 7-7 |
| A3CFPP4M05 | 7-3 |
| A3CFPP4N00 | 7-2 |
| A3CFPP4P00 | 7-5 |
| A3CFPP4S01 | 6-20 |
| A3CFPP4T01 | 5-14 |
| A3CFPP4U01 | 5-15 |
| A3CFPP4V00 | 5-10 |
| A3CFPP4V00 | 6A-6 |
| A3CFPP4X01 | 5-9 |
| A3CFPP5002 | 4-9 |
| A3CFPP5200 | 5-8 |
| A3CFPP5300 | 4-6 |
| A3CFPP5300 | 6A-10 |
| A3CFPP5400 | 5-16 |
| A3CFPP5502 | 13-6 |
| A3CFPP5801 | 6-2 |
| A3CFPP5A00 | 4-7 |
| A3CFPP5B02 | 3-2 |
| A3CFPP5C01 | 3-6 |
| A3CFPP5D02 | 3-14 |
| A3CFPP5E03 | 3-10 |
| A3CFPP5F03 | 3-3 |
| A3CFPP5G03 | 3-1 |
| A3CFPP5H01 | 3-7 |
| A3CFPP5K01 | 5-1 |
| A3CFPP5L00 | 5-5 |
| A3CFPP5N01 | 4-11 |
| A3CFPP5P01 | 7-4 |
| A3CFPP5R00 | 9-14 |

| Parts No. | Page No. |
|------------|----------|
| A3CFPP5S00 | 8-2 |
| A3CFPP5T00 | 9-1 |
| A3CFPP5U01 | 8-1 |
| A3CFPP5V01 | 5-19 |
| A3CFPP5X02 | 3-11 |
| A3CFPP5Y01 | 11-11 |
| A3CFPP6000 | 10A-21 |
| A3CFPP6000 | 10-21 |
| A3CFPP6102 | 11-12 |
| A3CFPP6300 | 9-31 |
| A3CFPP6403 | 9-29 |
| A3CFPP6500 | 12-22 |
| A3CFPP6600 | 12-23 |
| A3CFPP6701 | 8-28 |
| A3CFPP6801 | 8-29 |
| A3CFPP6A00 | 12-21 |
| A3CFPP6C00 | 5-17 |
| A3CFPP6F00 | 13-5 |
| A3CFPP6J00 | 10A-6 |
| A3CFPP6J00 | 10-6 |
| A3CFPP6L00 | 7-9 |
| A3CFPP6P00 | 1-7 |
| A3CFPP6Q00 | 1-10 |
| A3CFPP6S01 | 3-15 |
| A3CFPP6U00 | 4-10 |
| A3CFPP6V00 | 6-22 |
| A3CFPP6X00 | 6-24 |
| A3CFPP6Y00 | 6-25 |
| A3CFPP7000 | 6A-1 |
| A3CFPP7000 | 6-23 |
| A3CFPP7100 | 1-11 |
| A5C1M50100 | 3-4 |
| A5C1M50100 | 5-2 |
| A5C1M50100 | 9-13 |
| A5C1M50100 | 10-3 |
| A5C1M50100 | 10A-3 |
| A5C1M50100 | 11-5 |
| A7V7PP0000 | 1-3 |
| A7V7PP0101 | 1-6 |
| A7V7PP0201 | 1-1 |

| Parts No. | Page No. |
|------------|----------|
| A7V7PP0300 | 1-4 |
| A7V7PP0501 | 10A-7 |
| A7V7PP0501 | 10-7 |
| A7V7PP0600 | 1-8 |
| A7V7PP0700 | 12-7 |
| A7V7PP0800 | 4-1 |
| A7V7PP0900 | 12-9 |
| A7V7PP1000 | 12-24 |
| A7V7PP1201 | 2-1 |
| A7V7PP1300 | 12-13 |
| A7V7PP1403 | 2-3 |
| A7V7PP2001 | 1-5 |
| A7V7PP2100 | 1-6 |
| A7V7PP2200 | 6A-17 |
| A7V7PP2301 | 6A-16 |
| A7V7PP2401 | 6A-3 |
| A7V7PP2500 | 12-25 |
| A7V7PP2600 | 5-16 |
| A7V7PP2700 | 9-32 |
| A7V7PP2800 | 6A-27 |
| A7V7PP3101 | 7-8 |
| A7V7PP3200 | 8-30 |
| A7V7PP3300 | 8-31 |
| A7V7PP4100 | 4-12 |
| A7V7PP4200 | 4-13 |
| A85GPP0U00 | 7-6 |
| A87RPP0000 | 10A-25 |
| A87RPP0101 | 10A-12 |
| A87RPP0500 | 6A-5 |
| A87RPP0601 | 6A-4 |
| A87RPP0701 | 4-9 |
| A87RPP0800 | 4-1 |
| A87RPP0900 | 5-19 |
| A87RPP0A01 | 5-9 |
| A87RPP0B00 | 4-7 |
| A87RPP0F00 | 6A-2 |
| A87RPP0R01 | 10A-13 |
| A87RPP0S03 | 10A-18 |
| A87RPP0T00 | 10A-23 |
| A87RPP0U00 | 10A-11 |

| Parts No. | Page No. |
|------------|----------|
| A87RPP0V00 | 10A-24 |
| A87RPP0W00 | 10A-16 |
| A87RPP0X00 | 10A-17 |
| A87RPP0Y00 | 10A-20 |
| A87RPP0Y01 | 10A-20 |
| A87RPP1200 | 11-8 |
| A87RPP1400 | 11-9 |
| A87RPP1C00 | 6A-20 |
| A87RPP1D00 | 6A-25 |
| A87RPP1N00 | 9-7 |
| A87RPP1P00 | 8-3 |
| A87RPP1Q00 | 6A-15 |
| A87RPP1R00 | 6A-18 |
| A87RPP1S00 | 8-11 |
| A87RPP1T00 | 8-14 |
| A87RPP1X01 | 1-12 |

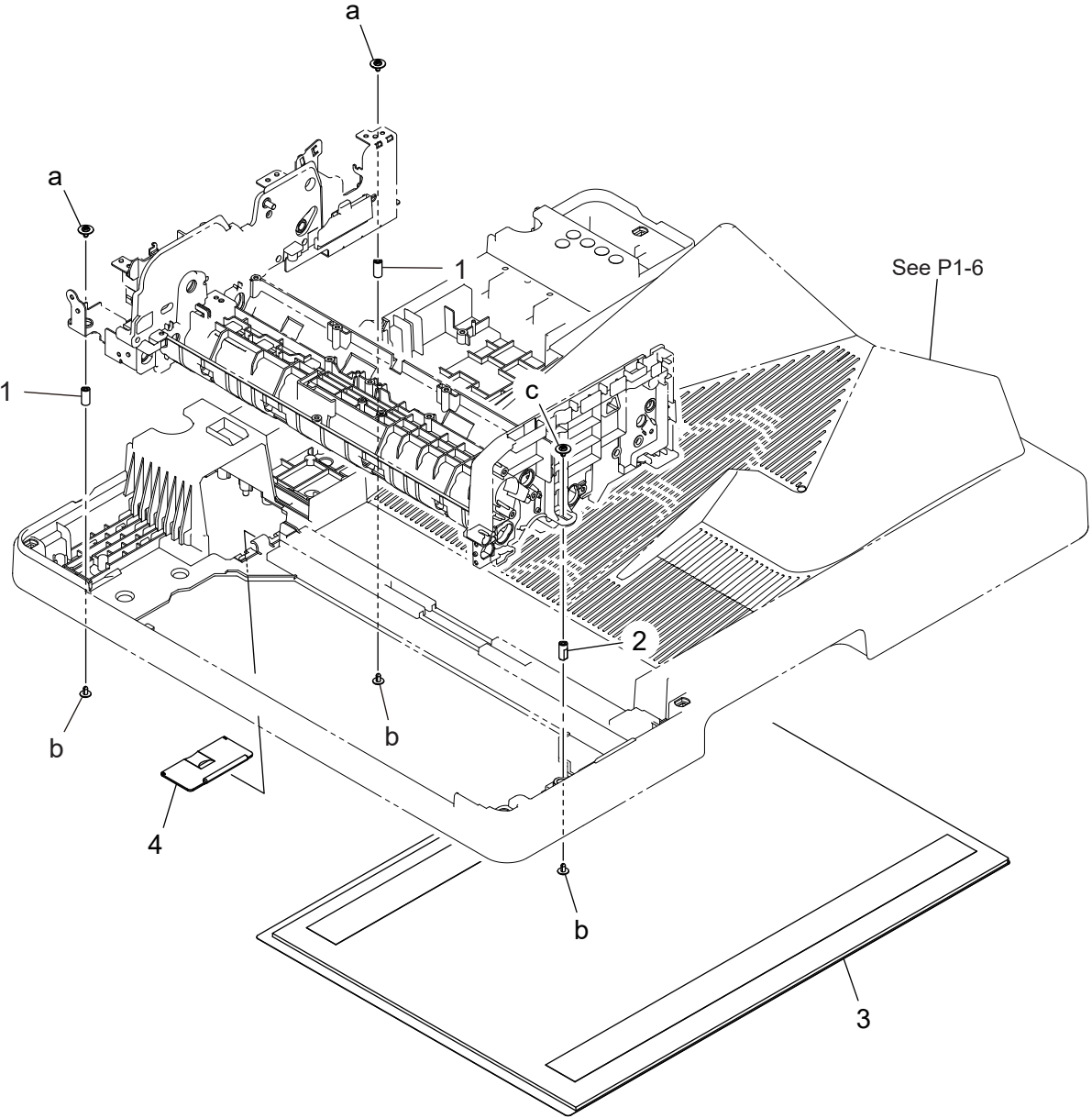
EXTERNAL PARTS



EXTERNAL PARTS

| Key | Part No. | Description | Destinations | Class | QTY | Standard parts |
|-----|------------|-------------------|---------------------|-------|-----|--|
| 1 | A7V7PP0201 | Cover /Rear | | C | 1 | a-A7V7PP1900 b-A3CFPP7200 c-A3CFPP7200 d-A3CFPP7300 e-A3CFPP2V00 |
| 2 | A143PP8Q03 | Wire Harness Assy | | C | 1 | |
| 3 | A7V7PP0000 | PWB Assembly | | I | 1 | |
| 4 | A7V7PP0300 | Holder | | D | 1 | |
| 5 | A7V7PP2001 | Hinge-R | | C | 1 | |
| 6 | A7V7PP0101 | Base Frame | (Model No.A7V7-WY1) | D | 1 | |
| 6 | A7V7PP2100 | Base Frame | (Model No.A7V7-WY2) | D | 1 | |
| 7 | A3CFPP6P00 | Label | | C | 1 | |
| 8 | A7V7PP0600 | Front Cover | | C | 1 | |
| 9 | A3CFPP1Y00 | Reinforce Plate | | D | 1 | |
| 10 | A3CFPP6Q00 | Label | | C | 1 | |
| 11 | A3CFPP7100 | Sponge | | C | 2 | |
| 12 | A87RPP1X01 | Hinge-L | | C | 1 | |
| | | | | | | |
| | | | | | | |
| | | | | | | |
| | | | | | | |
| | | | | | | |
| | | | | | | |
| | | | | | | |
| | | | | | | |
| | | | | | | |
| | | | | | | |
| | | | | | | |
| | | | | | | |
| | | | | | | |
| | | | | | | |

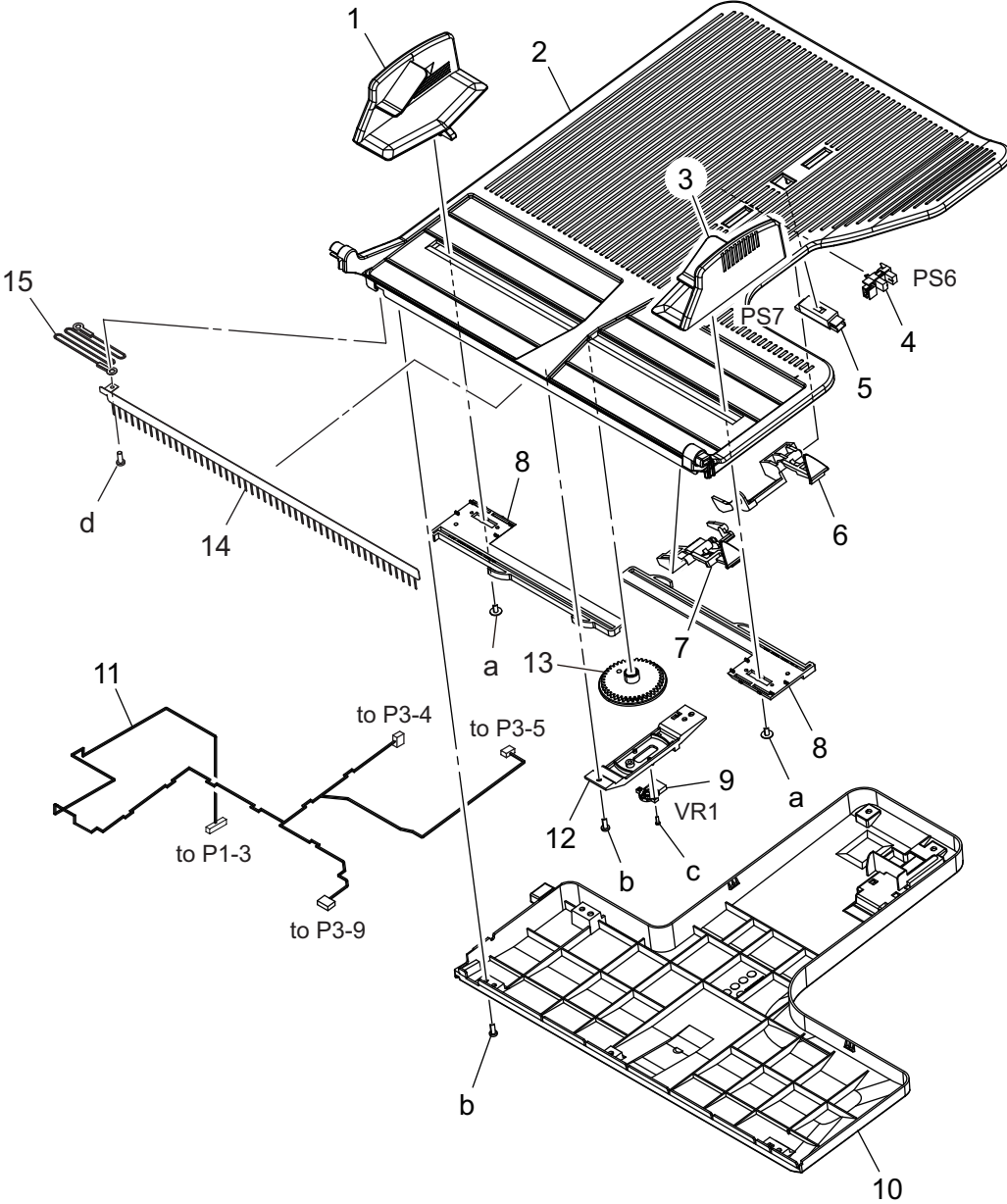
EXTERNAL PARTS



EXTERNAL PARTS

| Key | Part No. | Description | Destinations | Class | QTY | Standard parts |
|-----|------------|-------------|--------------|-------|-----|--|
| 1 | A7V7PP1201 | Shaft | | C | 2 | a-A3CFPP6B00 b-A7V7PP1500 c-A143PP7M00 |
| 2 | A3CFPP2R01 | Guide | | C | 1 | |
| 3 | A7V7PP1403 | White Sheet | | C | 1 | |
| 4 | A143PP2801 | Cover | | C | 1 | |
| | | | | | | |
| | | | | | | |
| | | | | | | |
| | | | | | | |
| | | | | | | |
| | | | | | | |
| | | | | | | |
| | | | | | | |
| | | | | | | |
| | | | | | | |
| | | | | | | |
| | | | | | | |
| | | | | | | |
| | | | | | | |
| | | | | | | |
| | | | | | | |

PAPER FEED TRAY SECTION

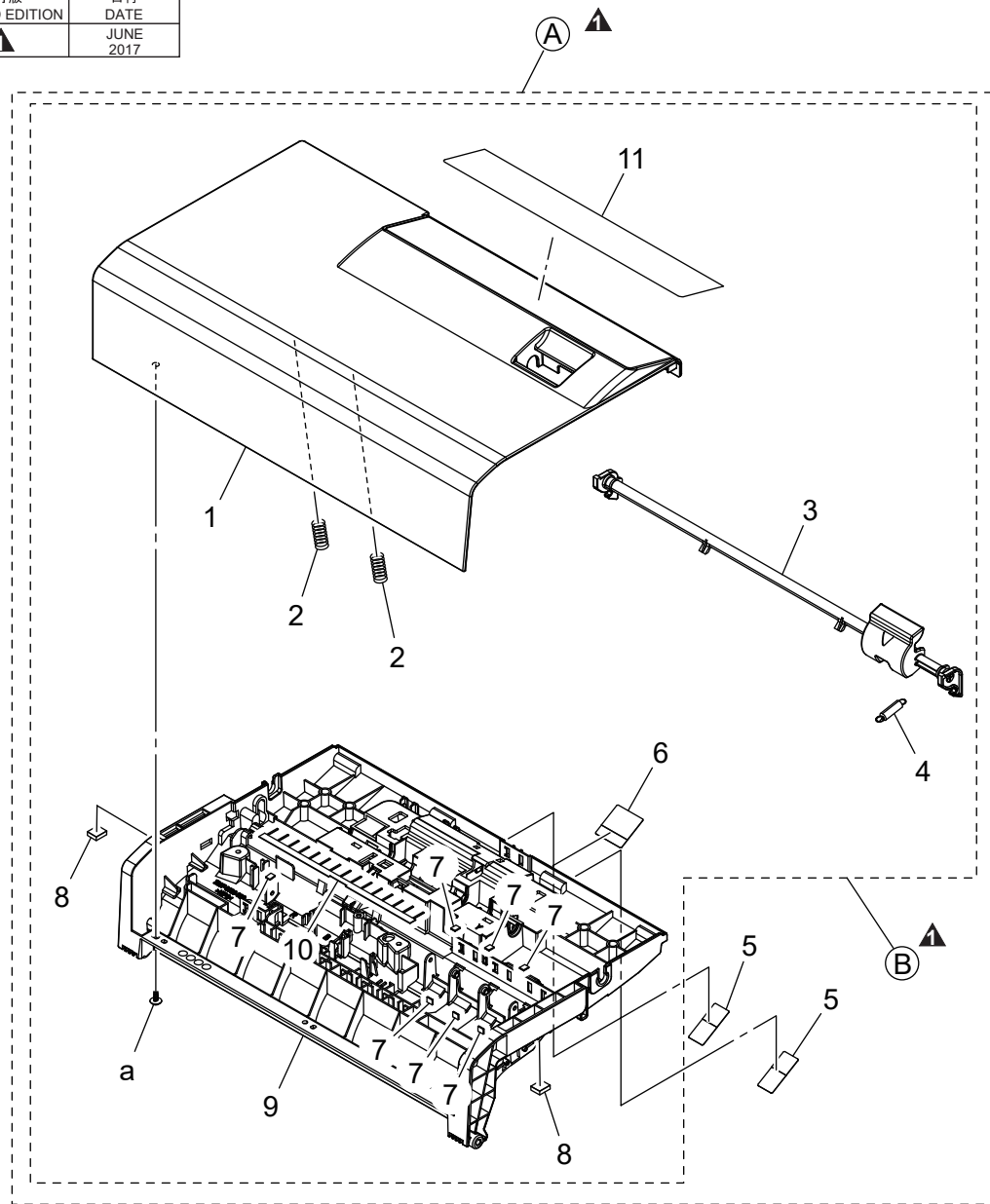


PAPER FEED TRAY SECTION

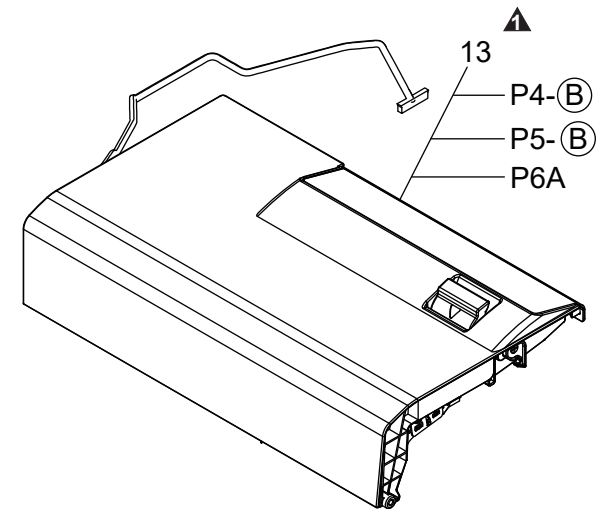
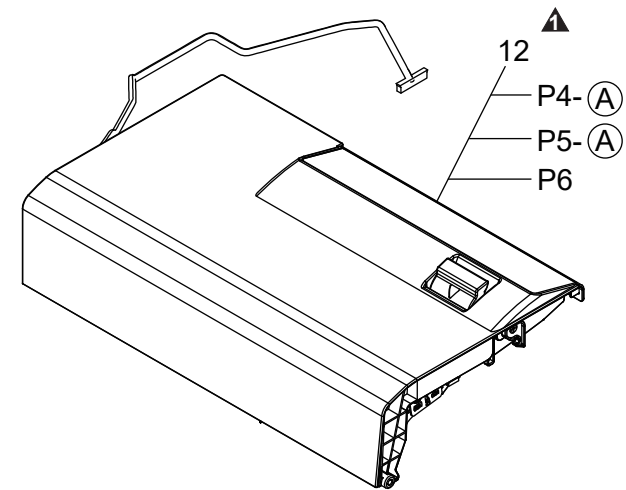
| Key | Part No. | Description | Destinations | Class | QTY | Standard parts |
|-----|------------|--------------------|--------------|-------|-----|--|
| 1 | A3CFPP5G03 | Regulating Plate | | C | 1 | a-A7V7PP1600 b-A7V7PP1800 c-A143PP0M00 d-A143PP7P00 |
| 2 | A3CFPP5B02 | Cover | | C | 1 | |
| 3 | A3CFPP5F03 | Regulating Plate | | C | 1 | |
| 4 | A5C1M50100 | Photointerrupter | | B | 1 | |
| 5 | A108M50000 | Photoreflector | | B | 1 | |
| 6 | A3CFPP5C01 | Lever | | C | 1 | |
| 7 | A3CFPP5H01 | Lever | | C | 1 | |
| 8 | A143PP6F01 | Rack | | C | 2 | |
| 9 | A143PP6X00 | Sensor | | C | 1 | |
| 10 | A3CFPP5E03 | Tray | | C | 1 | |
| 11 | A3CFPP5X02 | Wire Harness Assy | | D | 1 | |
| 12 | A143PP6M01 | Holder | | D | 1 | |
| 13 | A143PP6K01 | Gear 40T | | C | 1 | |
| 14 | A3CFPP5D02 | Neutralizing Brush | | C | 1 | |
| 15 | A3CFPP6S01 | Ground Wire | | D | 1 | |
| | | | | | | |
| | | | | | | |
| | | | | | | |
| | | | | | | |
| | | | | | | |
| | | | | | | |
| | | | | | | |
| | | | | | | |
| | | | | | | |
| | | | | | | |
| | | | | | | |
| | | | | | | |
| | | | | | | |

PAPER TAKE-UP SECTION

| | |
|------------------------|--------------|
| 改訂版 REVISED EDITION | 日付 DATE |
| ▲ | JUNE 2017 |



P 4

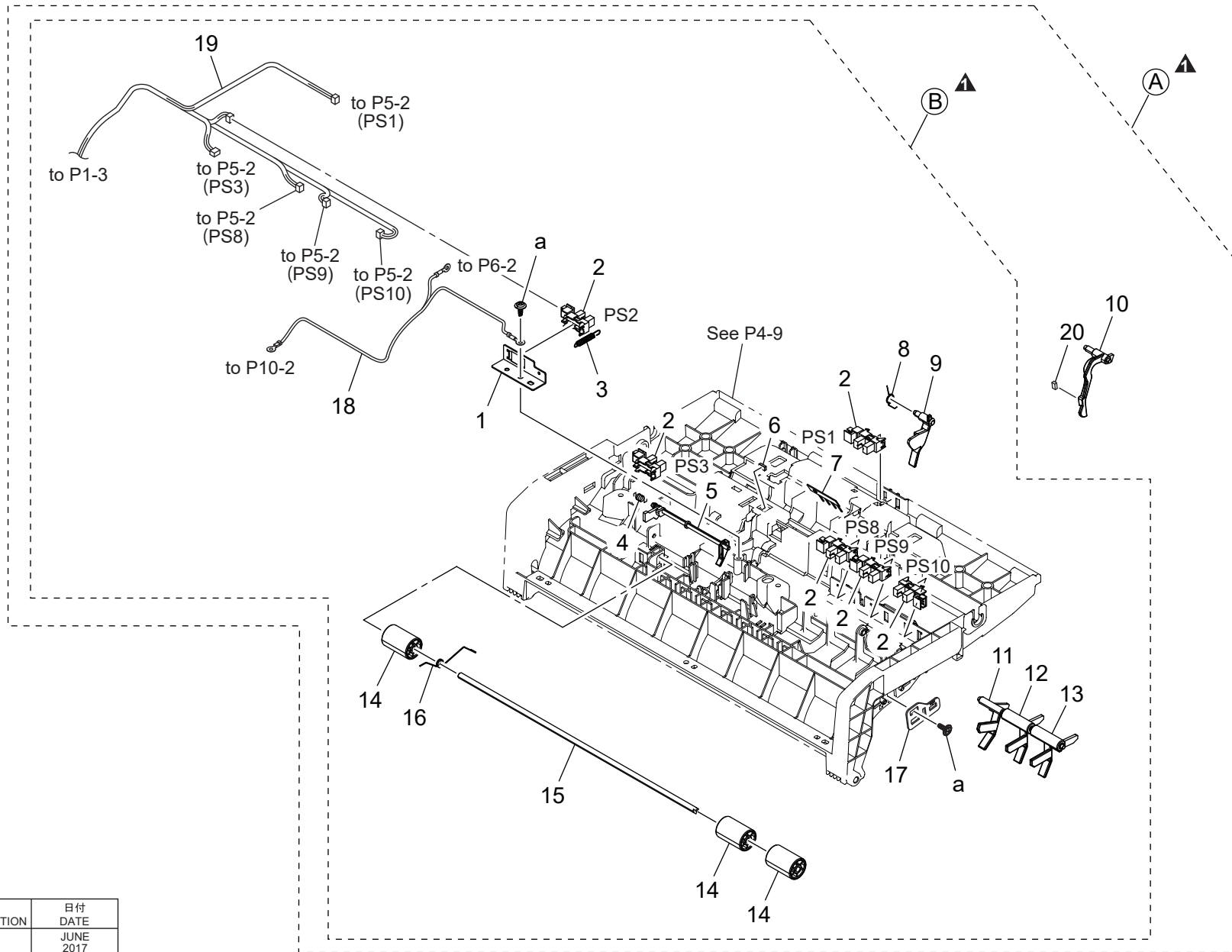


PAPER TAKE-UP SECTION

| Key | Part No. | Description | Destinations | Class | QTY | Standard parts |
|-----|------------|--------------------|---------------------|-------|-----|----------------|
| 1 | A7V7PP0800 | Left Cover | (Model No.A7V7-WY1) | C | 1 | a-A3CFPP2G00 |
| 1 | A87RPP0800 | Cover/ Upper | (Model No.A7V7-WY2) | C | 1 | |
| 2 | A143PP5F01 | Pressure Spring | | C | 2 | |
| 3 | A143PP5R04 | Knob | | C | 1 | |
| 4 | A143PP5V00 | Tension Spring | | C | 1 | |
| 5 | A143PP6100 | Film | (Model No.A7V7-WY1) | C | 2 | |
| 6 | A3CFPP5300 | Film | | C | 1 | |
| 7 | A3CFPP5A00 | Sponge | (Model No.A7V7-WY1) | C | 7 | |
| 7 | A87RPP0B00 | Cushion | (Model No.A7V7-WY2) | C | 7 | |
| 8 | A143PP5X00 | Sponge | | C | 2 | |
| 9 | A3CFPP5002 | Cover | (Model No.A7V7-WY1) | D | 1 | |
| 9 | A87RPP0701 | Guide | (Model No.A7V7-WY2) | D | 1 | |
| 10 | A3CFPP6U00 | NEUTRALIZING BRUSH | | C | 1 | |
| 11 | A3CFPP5N01 | Label | | C | 1 | |
| 12 | A7V7PP4100 | Left Cover Assy | (Model No.A7V7-WY1) | D | 1 | |
| 13 | A7V7PP4200 | Left Cover Assy | (Model No.A7V7-WY2) | D | 1 | |
| | | | | | | |
| | | | | | | |
| | | | | | | |
| | | | | | | |
| | | | | | | |
| | | | | | | |
| | | | | | | |
| | | | | | | |
| | | | | | | |
| | | | | | | |
| | | | | | | |

PAPER TAKE-UP SECTION

P 5



| | |
|------------------------|--------------|
| 改訂版 REVISED EDITION | 日付 DATE |
| ▲ | JUNE 2017 |

PAPER TAKE-UP SECTION

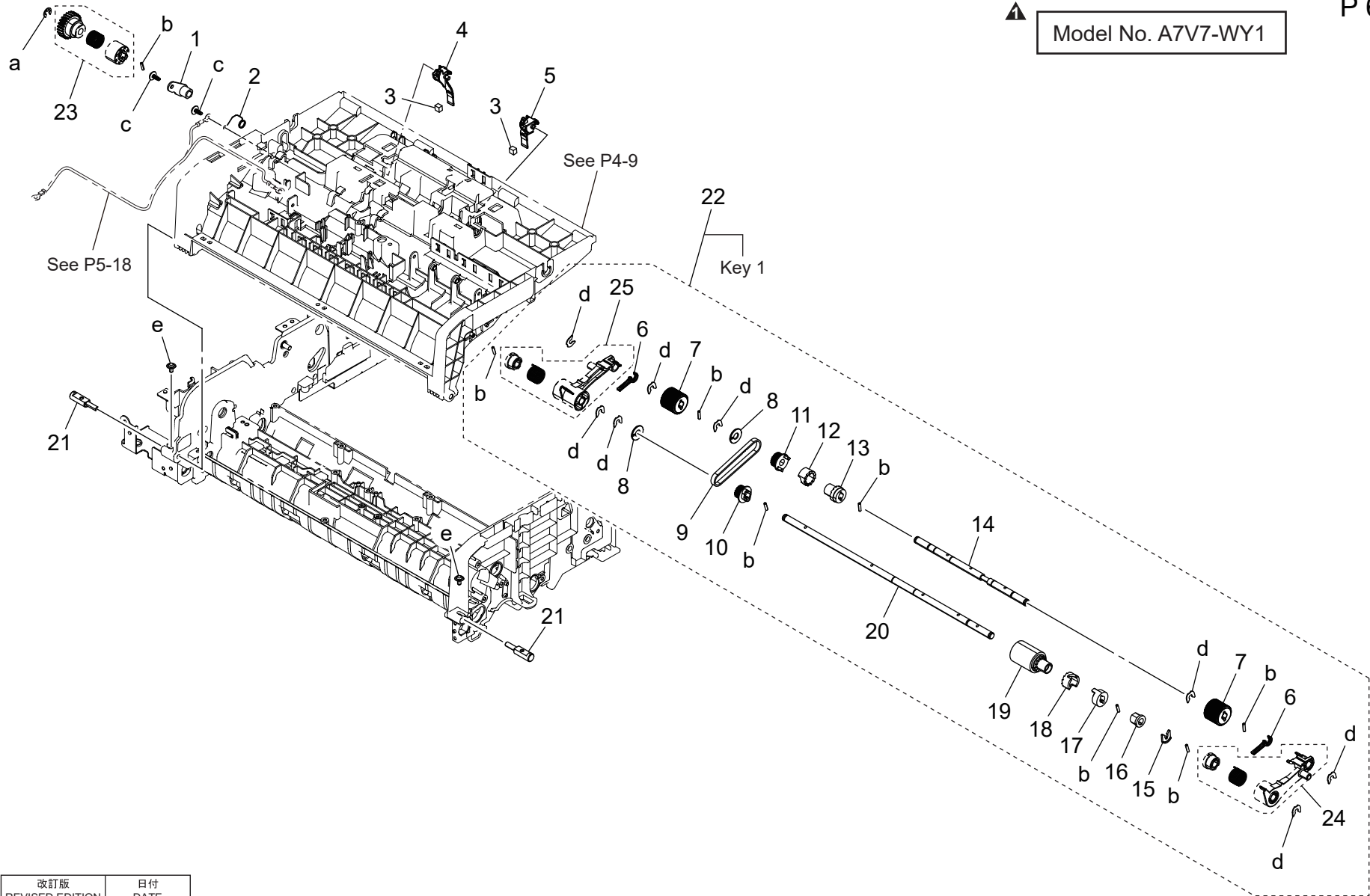
| Key | Part No. | Description | Destinations | Class | QTY | Standard parts |
|-----|------------|--------------------|---------------------|---------------------|-----|----------------|
| 1 | A3CFPP5K01 | Bracket | | D | 1 | a-A3CFPP2G00 |
| 2 | A5C1M50100 | Photointerrupter | | B | 6 | |
| 3 | A143PP6900 | Tension Spring | | C | 1 | |
| 4 | A143PP1B00 | Torsion Spring | | C | 1 | |
| 5 | A3CFPP5L00 | Lever | | C | 1 | |
| 6 | A143PP1Y00 | Sponge | | C | 1 | |
| 7 | A143PP6800 | Neutralizing Brush | | C | 1 | |
| 8 | A3CFPP5200 | Torsion Spring | | C | 1 | |
| 9 | A3CFPP4X01 | Lever | (Model No.A7V7-WY1) | C | 1 | |
| 9 | A87RPP0A01 | Lever | (Model No.A7V7-WY2) | C | 1 | |
| 10 | A3CFPP4V00 | Lever | (Model No.A7V7-WY1) | C | 1 | |
| 11 | A143PP5J01 | Lever | | C | 1 | |
| 12 | A143PP5K01 | Lever | | C | 1 | |
| 13 | A143PP5M01 | Lever | | C | 1 | |
| 14 | A3CFPP4T01 | Roller | | C | 3 | |
| 15 | A3CFPP4U01 | Shaft | | D | 1 | |
| 16 | A3CFPP5400 | Torsion Spring | (Model No.A7V7-WY1) | C | 1 | |
| 16 | A7V7PP2600 | Torsion Spring | (Model No.A7V7-WY2) | C | 1 | |
| 17 | A3CFPP6C00 | Bracket | | D | 1 | |
| 18 | A143PP7301 | Wire Harness Assy | ハーネス ASSY | D | 1 | |
| 19 | A3CFPP5V01 | Wire Harness Assy | ハーネス ASSY | (Model No.A7V7-WY1) | D | 1 |
| 19 | A87RPP0900 | Harness | 束線 | (Model No.A7V7-WY2) | D | 1 |
| 20 | A3CFPP1700 | Magnet | マグネット | (Model No.A7V7-WY1) | D | 1 |
| | | | | | | |
| | | | | | | |
| | | | | | | |
| | | | | | | |
| | | | | | | |
| | | | | | | |
| | | | | | | |
| | | | | | | |
| | | | | | | |

PAPER TAKE-UP SECTION



Model No. A7V7-WY1

P 6



| | |
|------------------------|------------------|
| 改訂版 REVISED EDITION | 日付 DATE |
| | NOVEMBER 2015 |

PAPER TAKE-UP SECTION

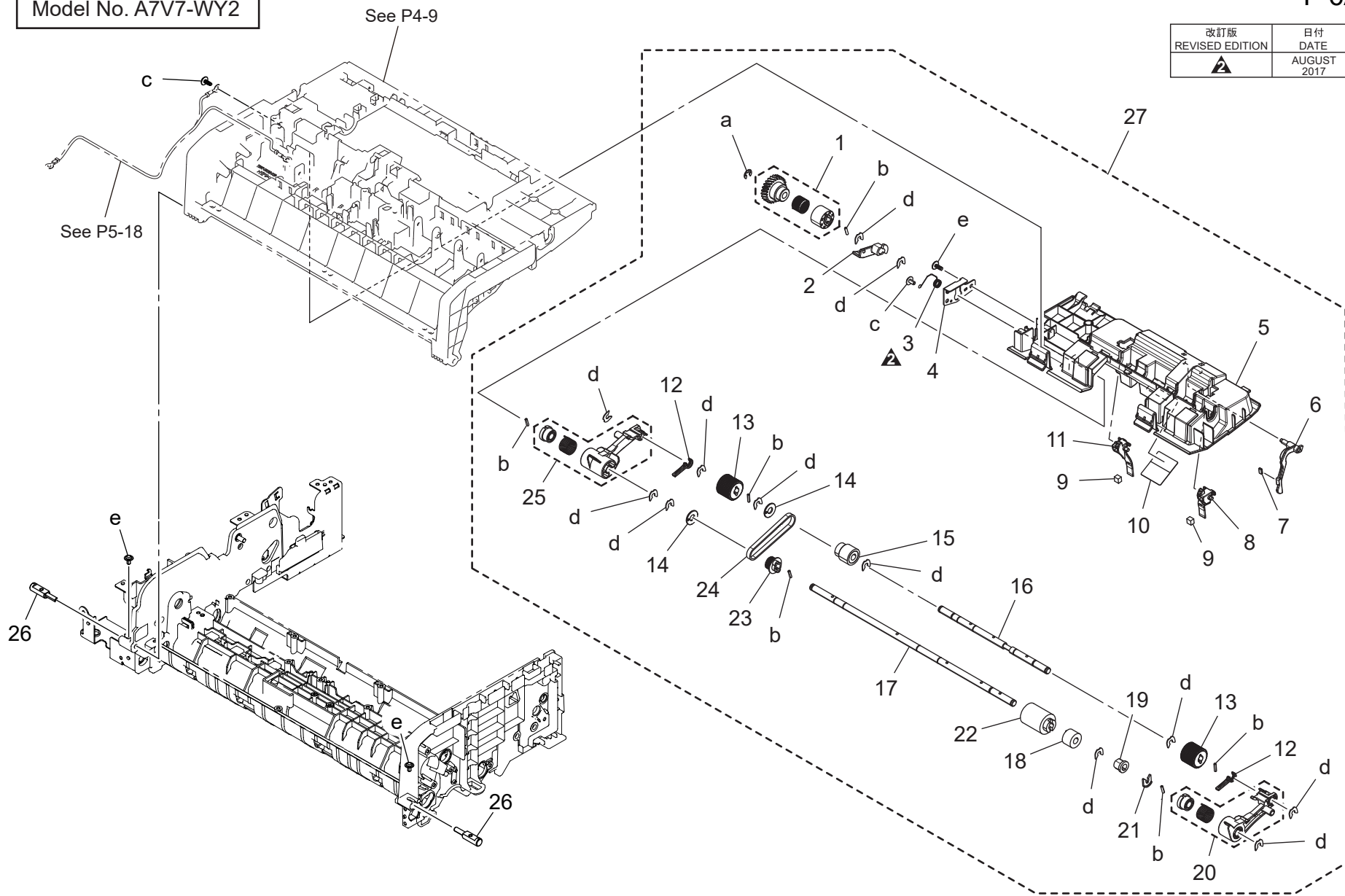
| Key | Part No. | Description | Destinations | Class | QTY | Standard parts |
|-----|------------|---------------------|--|-------|-----|--|
| 1 | A3CFPP1J01 | Bushing | 軸受 (Model No.A7V7-WY1) | C | 1 | a-A7V7PP1700 b-A143PP4S00 c-A3CFPP2G00 d-A143PP5501 e-A3CFPP7400 |
| 2 | A3CFPP5801 | Torsion Spring | ねじりコイルばね (Model No.A7V7-WY1) | C | 1 | |
| 3 | A143PP9G00 | Damper | ダンパー (Model No.A7V7-WY1) | C | 2 | |
| 4 | A143PP5U03 | Stopper | ストッパー (Model No.A7V7-WY1) | C | 1 | |
| 5 | A143PP5T03 | Stopper | ストッパー (Model No.A7V7-WY1) | C | 1 | |
| 6 | A143PP5301 | Stopper | ストッパー (Model No.A7V7-WY1) | C | 2 | |
| 7 | A143PP5200 | Roller | ローラー (Model No.A7V7-WY1) | A | 2 | |
| 8 | A143PP5Y01 | Flange | フランジ (Model No.A7V7-WY1) | D | 2 | |
| 9 | A143563300 | TIMING BELT 134L | タイミングベルト 134 L (Model No.A7V7-WY1) | C | 1 | |
| 10 | A143PP5A00 | Pulley 19T | プーリー 19 T (Model No.A7V7-WY1) | C | 1 | |
| 11 | A143PP5000 | Pulley 21T | プーリー 21 T (Model No.A7V7-WY1) | C | 1 | |
| 12 | A143PP5101 | Coupling | カップリング (Model No.A7V7-WY1) | C | 1 | |
| 13 | A143PP4Y00 | Holder | ホルダー (Model No.A7V7-WY1) | C | 1 | |
| 14 | A143PP5403 | Shaft | シャフト (Model No.A7V7-WY1) | D | 1 | |
| 15 | A143PP5B01 | Stop Ring | 止め輪 (Model No.A7V7-WY1) | C | 1 | |
| 16 | A143PP5901 | Bushing | 軸受 (Model No.A7V7-WY1) | C | 1 | |
| 17 | A143PP5601 | Coupling | カップリング (Model No.A7V7-WY1) | C | 1 | |
| 18 | A143PP6601 | Coupling | カップリング (Model No.A7V7-WY1) | C | 1 | |
| 19 | A143563100 | Roller | ローラ (給紙) (Model No.A7V7-WY1) | A | 1 | |
| 20 | A3CFPP4S01 | Shaft | シャフト (Model No.A7V7-WY1) | D | 1 | |
| 21 | A3CFPP1600 | Shaft | シャフト (Model No.A7V7-WY1) | D | 2 | |
| 22 | A3CFPP6V00 | Pick-Up Roller Assy | 給紙ローラー A s s y (Model No.A7V7-WY1) | C | 1 | |
| 23 | A3CFPP7000 | Gear Assy | ギア A S S Y (Model No.A7V7-WY1) | C | 1 | |
| 24 | A3CFPP6X00 | Lever Assy (Front) | レバー A S S Y (前) (Model No.A7V7-WY1) | C | 1 | |
| 25 | A3CFPP6Y00 | Lever Assy (Rear) | レバー A S S Y (後) (Model No.A7V7-WY1) | C | 1 | |
| | | | | | | |
| | | | | | | |
| | | | | | | |
| | | | | | | |
| | | | | | | |
| | | | | | | |
| | | | | | | |
| | | | | | | |
| | | | | | | |

PAPER TAKE-UP SECTION

Model No. A7V7-WY2

P 6A

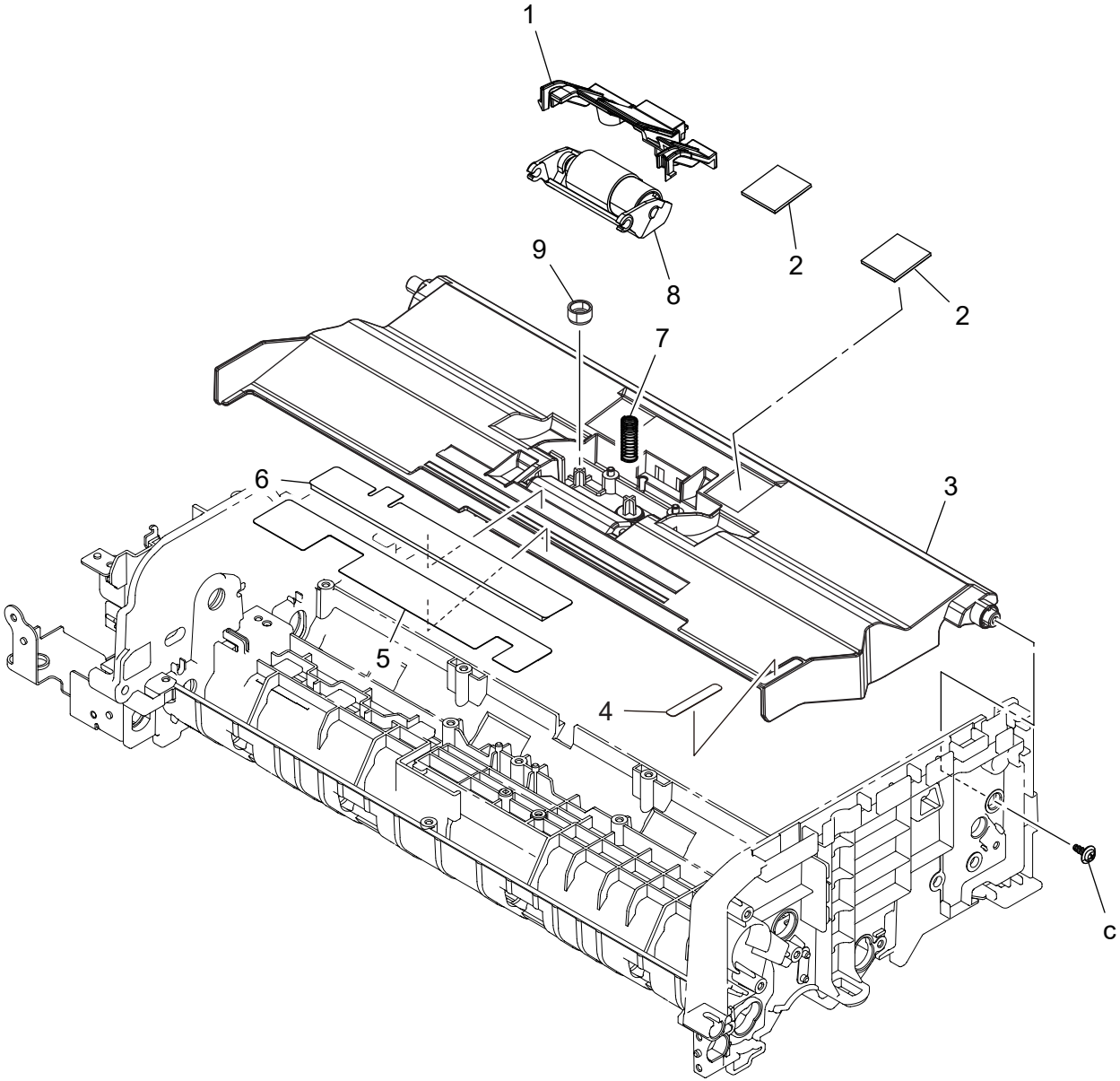
| | |
|---|----------------|
| 改訂版 REVISED EDITION | 日付 DATE |
|  | AUGUST 2017 |



PAPER TAKE-UP SECTION

| Key | Part No. | Description | Destinations | Class | QTY | Standard parts |
|-----|------------|-------------------|---------------------|-------|-----|--|
| 1 | A3CFPP7000 | Gear Assy | (Model No.A7V7-WY2) | C | 1 | a-A7V7PP1700 b-A143PP4S00 c-A143PP7M00 d-A143PP5501 e-A3CFPP2G00 f-A3CFPP7400 |
| 2 | A87RPP0F00 | Lever | (Model No.A7V7-WY2) | C | 1 | |
| 3 | A7V7PP2401 | Torsion Spring | (Model No.A7V7-WY2) | C | 1 | |
| 4 | A87RPP0601 | Mounting Plate | (Model No.A7V7-WY2) | D | 1 | |
| 5 | A87RPP0500 | Guide | (Model No.A7V7-WY2) | D | 1 | |
| 6 | A3CFPP4V00 | Lever | (Model No.A7V7-WY2) | C | 1 | |
| 7 | A3CFPP1700 | Magnet | (Model No.A7V7-WY2) | D | 1 | |
| 8 | A143PP5T03 | Stopper | (Model No.A7V7-WY2) | C | 1 | |
| 9 | A143PP9G00 | Damper | (Model No.A7V7-WY2) | C | 2 | |
| 10 | A3CFPP5300 | Film | (Model No.A7V7-WY2) | C | 1 | |
| 11 | A143PP5U03 | Stopper | (Model No.A7V7-WY2) | C | 1 | |
| 12 | A143PP5301 | Stopper | (Model No.A7V7-WY2) | C | 2 | |
| 13 | A143PP5200 | Roller | (Model No.A7V7-WY2) | A | 2 | |
| 14 | A143PP5Y01 | Flange | (Model No.A7V7-WY2) | D | 2 | |
| 15 | A87RPP1Q00 | PULLEY 21T | (Model No.A7V7-WY2) | C | 1 | |
| 16 | A7V7PP2301 | Shaft | (Model No.A7V7-WY2) | D | 1 | |
| 17 | A7V7PP2200 | Shaft | (Model No.A7V7-WY2) | D | 1 | |
| 18 | A87RPP1R00 | Clutch | (Model No.A7V7-WY2) | C | 1 | |
| 19 | A143PP5901 | Bushing | (Model No.A7V7-WY2) | C | 1 | |
| 20 | A87RPP1C00 | Lever Assy/ Front | (Model No.A7V7-WY2) | C | 1 | |
| 21 | A143PP5B01 | Stop Ring | (Model No.A7V7-WY2) | C | 1 | |
| 22 | 4030300501 | ROLLER | (Model No.A7V7-WY2) | A | 1 | |
| 23 | A143PP5A00 | Pulley 19T | (Model No.A7V7-WY2) | C | 1 | |
| 24 | A143563300 | TIMING BELT 134L | (Model No.A7V7-WY2) | C | 1 | |
| 25 | A87RPP1D00 | Lever Assy/ Rear | (Model No.A7V7-WY2) | C | 1 | |
| 26 | A3CFPP1600 | Shaft | (Model No.A7V7-WY2) | D | 2 | |
| 27 | A7V7PP2800 | Paper Feed Assy | (Model No.A7V7-WY2) | D | 1 | |
| | | | | | | |
| | | | | | | |
| | | | | | | |
| | | | | | | |
| | | | | | | |
| | | | | | | |
| | | | | | | |
| | | | | | | |
| | | | | | | |
| | | | | | | |
| | | | | | | |

PAPER TRANSPORT SECTION

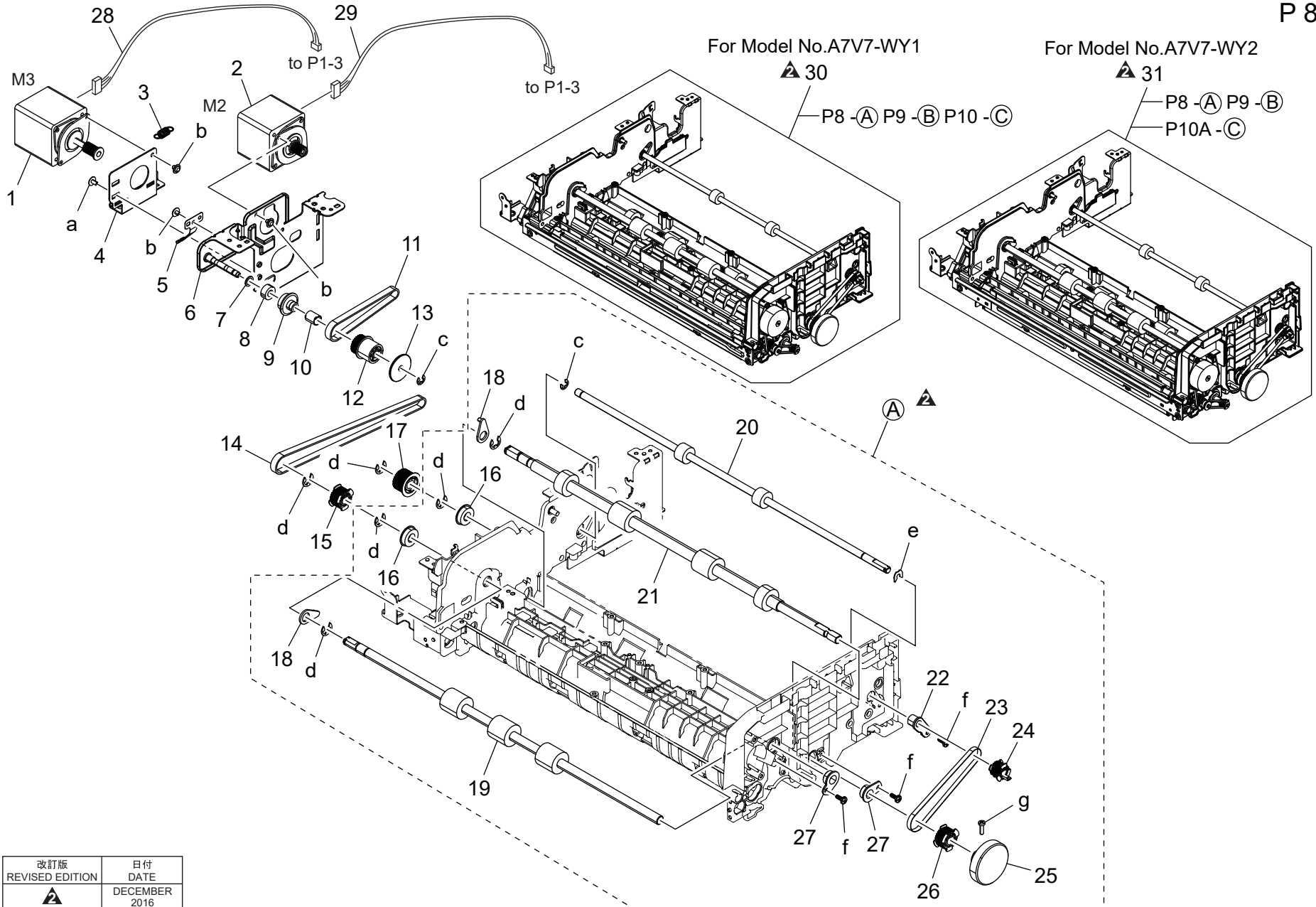


PAPER TRANSPORT SECTION

| Key | Part No. | Description | Destinations | Class | QTY | Standard parts |
|-----|------------|-----------------|--------------|-------|-----|----------------|
| 1 | A3CFPP4G00 | Cover Assy | | C | 1 | c-A3CFPP2G00 |
| 2 | A3CFPP4N00 | Pad | | C | 2 | |
| 3 | A3CFPP4M05 | Guide | | D | 1 | |
| 4 | A3CFPP5P01 | Label | | D | 1 | |
| 5 | A3CFPP4P00 | Film | | C | 1 | |
| 6 | A85GPP0U00 | Film | | C | 1 | |
| 7 | A3CFPP4L00 | Pressure Spring | | C | 1 | |
| 8 | A7V7PP3101 | Roller Assy | | A | 1 | |
| 9 | A3CFPP6L00 | Spacer | | C | 1 | |
| | | | | | | |
| | | | | | | |
| | | | | | | |
| | | | | | | |
| | | | | | | |
| | | | | | | |
| | | | | | | |
| | | | | | | |
| | | | | | | |
| | | | | | | |

PAPER TRANSPORT SECTION

P 8

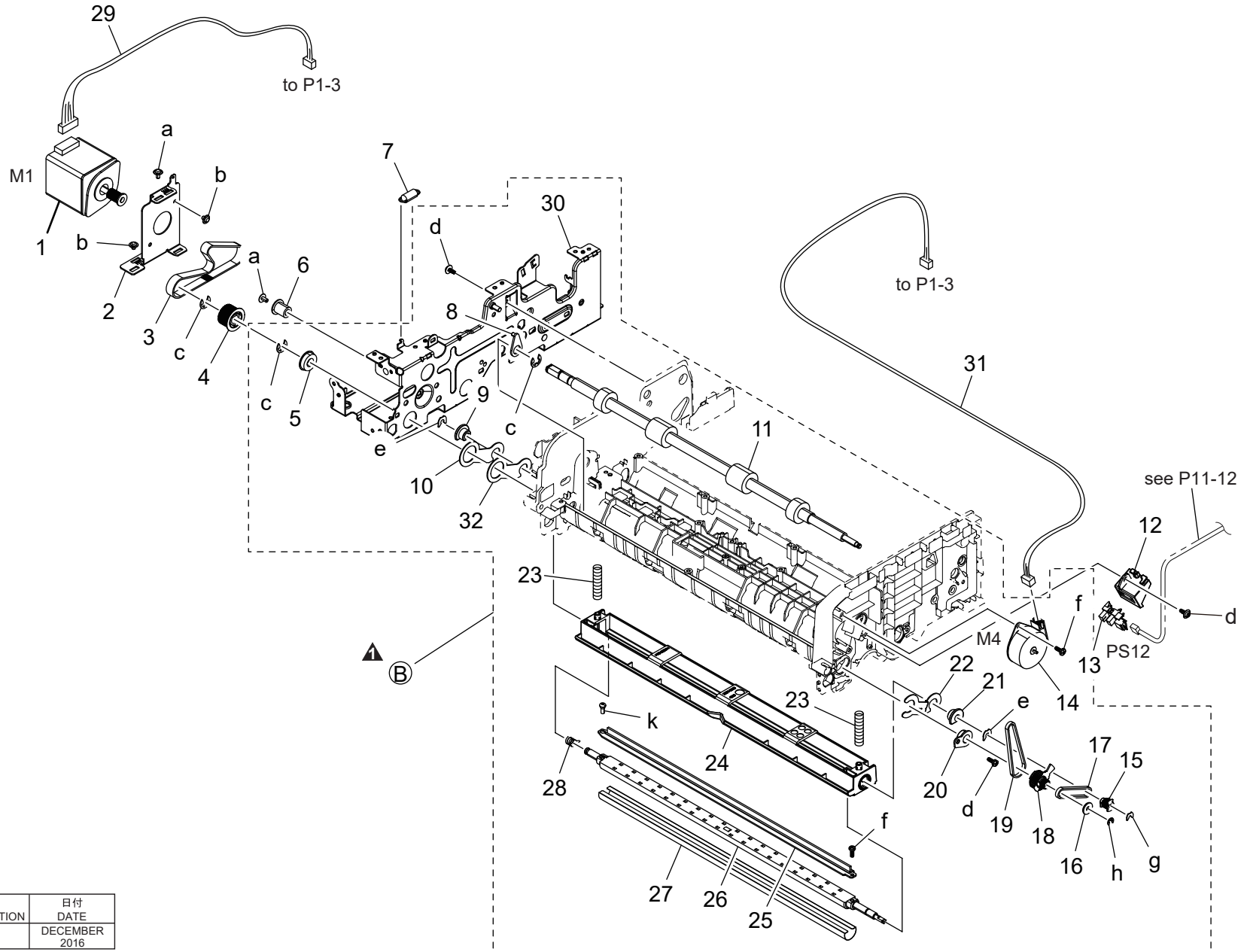


| | |
|------------------------|------------------|
| 改訂版 REVISED EDITION | 日付 DATE |
| ▲ | DECEMBER 2016 |

PAPER TRANSPORT SECTION

| Key | Part No. | Description | Destinations | Class | QTY | Standard parts |
|-----|---------------|-----------------------|---------------------|-------|-----|--|
| 1 | A3CFPP5U01 | Motor | | C | 1 | a-A143PP7M00 b-A143PP7N00 c-A7V7PP1700 d-A143PP0P00 e-A143PP5501 f-A3CFPP2G00 g-A3CFPP6E00 |
| 2 | A3CFPP5S00 | Motor | | C | 1 | |
| 3 | A87RPP1P00 | Tension Spring | | C | 1 | |
| 4 | A3CFPP3G00 | Bracket | | C | 1 | |
| 5 | A3CFPP2C00 | Plate Spring | | D | 1 | |
| 6 | A3CFPP3F01 | Bracket | | D | 1 | |
| 7 | A3CFPP3R00 | Washer | | C | 1 | |
| 8 | A143PP9300 | BEARING | | C | 1 | |
| 9 | A3CFPP3D01 | Pulley | | C | 1 | |
| 10 | A3CFPP3P01 | Pressure Spring | | C | 1 | |
| 11 | A87RPP1S00 | Timing Belt | | C | 1 | |
| 12 | A3CFPP3C00 | Pulley | | C | 1 | |
| 13 | A3CFPP3900 | Flange | | C | 1 | |
| 14 | A87RPP1T00 | Timing Belt | | C | 1 | |
| 15 | A3CFPP3H00 | Pulley | | D | 1 | |
| 16 | A143PP1M00 | Ball Bearing | | C | 2 | |
| 17 | A3CFPP3J01 | Pulley | | C | 1 | |
| 18 | A3CFPP2E00 | Bushing | | D | 2 | |
| 19 | A3CFPP1F01 | Roller | | C | 1 | |
| 20 | A3CFPP1D00 | Roller | | C | 1 | |
| 21 | A3CFPP1E01Old | Roller | | C | 1 | |
| 21 | A3CFPP1E02 | Roller | | C | 1 | |
| 22 | A3CFPP1J01 | Bushing | | C | 1 | |
| 23 | A3CFPP3400 | Timing Belt | | C | 1 | |
| 24 | A3CFPP3800 | Pulley | | C | 1 | |
| 25 | A3CFPP1H01Old | Fly Wheel | | D | 1 | |
| 25 | A3CFPP1H02 | Fly Wheel | | D | 1 | |
| 26 | A3CFPP3500 | Pulley | | C | 1 | |
| 27 | A3CF103400 | Bushing | | C | 2 | |
| 28 | A3CFPP6701 | Harness | | D | 1 | |
| 29 | A3CFPP6801 | Harness | | D | 1 | |
| 30 | A7V7PP3200 | Conveyance Frame Assy | (Model No.A7V7-WY1) | D | 1 | |
| 31 | A7V7PP3300 | Conveyance Frame Assy | (Model No.A7V7-WY2) | D | 1 | |
| | | | | | | |
| | | | | | | |
| | | | | | | |
| | | | | | | |
| | | | | | | |

PAPER TRANSPORT SECTION




| | |
|------------------------|------------------|
| 改訂版 REVISED EDITION | 日付 DATE |
| | DECEMBER 2016 |

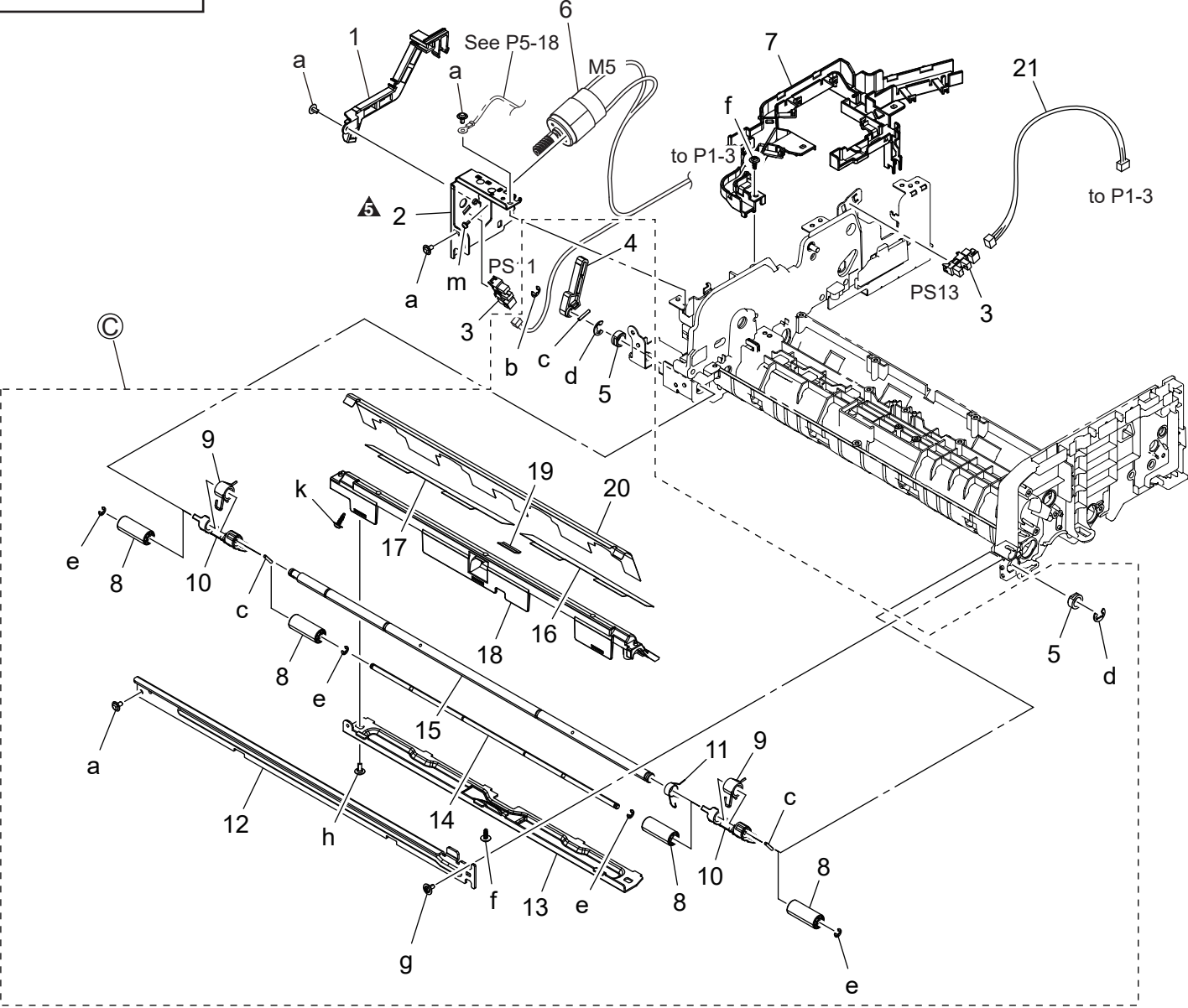
PAPER TRANSPORT SECTION

| Key | Part No. | Description | Destinations | Class | QTY | Standard parts |
|-----|------------|-------------------|---------------------|-------|-----|--|
| 1 | A3CFPP5T00 | Motor | | C | 1 | a-A143PP7M00 b-A143PP7N00 c-A143PP0P00 d-A3CFPP2G00 e-A143PP5501 f-A7V7PP1800 g-A7V7PP0400 h-A3CFPP5M00 k-A3CFPP4E00 |
| 2 | A3CFPP3E01 | Bracket | | D | 1 | |
| 3 | A3CF213300 | Timing belt | | C | 1 | |
| 4 | A3CFPP3J01 | Pulley | | C | 1 | |
| 5 | A143PP1M00 | Ball Bearing | | C | 1 | |
| 6 | A3CFPP3600 | Pulley | | C | 1 | |
| 7 | A87RPP1N00 | Tension Spring | | C | 1 | |
| 8 | A3CFPP2E00 | Bushing | | D | 1 | |
| 9 | A143PP4D02 | Bushing | | C | 1 | |
| 10 | A3CFPP4400 | Arm | | C | 1 | |
| 11 | A3CFPP1G00 | Roller | | C | 1 | |
| 12 | A3CFPP2B01 | Holder | | D | 1 | |
| 13 | A5C1M50100 | Photointerrupter | | B | 1 | |
| 14 | A3CFPP5R00 | Motor | | C | 1 | |
| 15 | A3CFPP4800 | Pulley | | C | 1 | |
| 16 | A143PP4H01 | Flange | | D | 1 | |
| 17 | A3CFPP4900 | Timing Belt | | C | 1 | |
| 18 | A3CFPP4700 | Pulley | | C | 1 | |
| 19 | A3CFPP4C00 | Timing Belt | | C | 1 | |
| 20 | A3CF103400 | Bushing | | C | 1 | |
| 21 | A3CFPP4A00 | Bushing | | C | 1 | |
| 22 | A3CFPP4301 | Arm | | C | 1 | |
| 23 | A3CFPP4B00 | Pressure Spring | | C | 2 | |
| 24 | A3CFPP4202 | Cover | | D | 1 | |
| 25 | A3CFPP4500 | Brush | | C | 1 | |
| 26 | A3CFPP4600 | Shaft | | D | 1 | |
| 27 | A3CEPP3301 | Sheet | | C | 1 | |
| 28 | A3CFPP4F00 | Spring | | C | 1 | |
| 29 | A3CFPP6403 | Harness | | D | 1 | |
| 30 | A3CFPP1803 | Frame Stake | | D | 1 | |
| 31 | A3CFPP6300 | Wire Harness Assy | | D | 1 | |
| 32 | A7V7PP2700 | Plate Spring | (Model No.A7V7-WY2) | D | 1 | |
| | | | | | | |
| | | | | | | |
| | | | | | | |
| | | | | | | |
| | | | | | | |

PAPER TRANSPORT SECTION

Model No. A7V7-WY1

| | |
|---|-----------------|
| 改訂版 REVISED EDITION | 日付 DATE |
|  | OCTOBER 2017 |



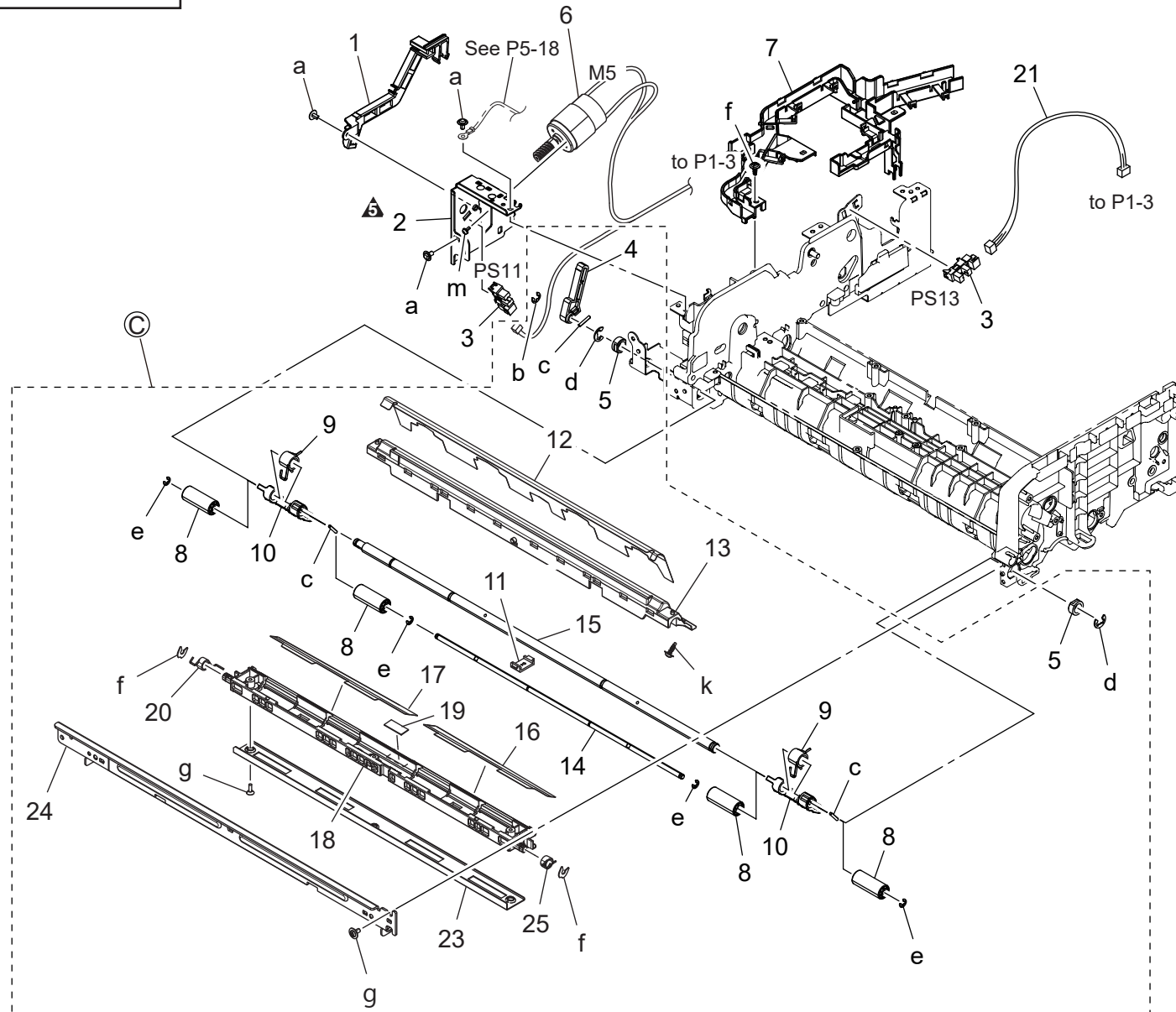
| Key | Part No. | Description | Destinations | Class | QTY | Standard parts |
|-----|------------|-------------------|---------------------|-------|-----|--|
| 1 | A3CFPP3100 | Guide | (Model No.A7V7-WY1) | C | 1 | a-A143PP7M00 b-A7V7PP1700 c-A143PP3X00 d-A143PP0P00 e-A3CFPP5M00 f-A3CFPP2G00 g-A3CFPP2F00 h-A3CFPP2K00 k-A3CFPP2V00 m-A7V7PP1100 |
| 2 | A3CFPP3S03 | Bracket | (Model No.A7V7-WY1) | D | 1 | |
| 3 | A5C1M50100 | Photointerrupter | (Model No.A7V7-WY1) | B | 2 | |
| 4 | A3CFPP3Y01 | Lever | (Model No.A7V7-WY1) | C | 1 | |
| 5 | A3CFPP1K01 | Bushing | (Model No.A7V7-WY1) | C | 2 | |
| 6 | A3CFPP6J00 | Motor Assy | (Model No.A7V7-WY1) | C | 1 | |
| 7 | A7V7PP0501 | Guide | (Model No.A7V7-WY1) | C | 1 | |
| 8 | A3CFPP4101 | Roller | (Model No.A7V7-WY1) | C | 4 | |
| 9 | A3CFPP3X00 | Torsion Spring | (Model No.A7V7-WY1) | C | 2 | |
| 10 | A3CFPP3V01 | Arm | (Model No.A7V7-WY1) | C | 2 | |
| 11 | A3CFPP2X00 | Torsion Spring | (Model No.A7V7-WY1) | C | 1 | |
| 12 | A3CFPP1401 | Bracket | (Model No.A7V7-WY1) | D | 1 | |
| 13 | A3CFPP1300 | Bracket | (Model No.A7V7-WY1) | D | 1 | |
| 14 | A3CFPP4000 | Shaft | (Model No.A7V7-WY1) | D | 1 | |
| 15 | A3CFPP3U00 | Shaft | (Model No.A7V7-WY1) | D | 1 | |
| 16 | A3CFPP1102 | Film | (Model No.A7V7-WY1) | C | 1 | |
| 17 | A3CFPP1202 | Film | (Model No.A7V7-WY1) | C | 1 | |
| 18 | A3CFPP1002 | Guide | (Model No.A7V7-WY1) | D | 1 | |
| 19 | A3CFPP1P00 | Cushion | (Model No.A7V7-WY1) | C | 1 | |
| 20 | A3CFPP2Q01 | Film | (Model No.A7V7-WY1) | C | 1 | |
| 21 | A3CFPP6000 | Wire Harness Assy | (Model No.A7V7-WY1) | D | 1 | |
| | | | | | | |
| | | | | | | |
| | | | | | | |
| | | | | | | |
| | | | | | | |
| | | | | | | |
| | | | | | | |
| | | | | | | |
| | | | | | | |
| | | | | | | |

PAPER TRANSPORT SECTION

Model No. A7V7-WY2

P 10A

| | |
|---|-----------------|
| 改訂版 REVISED EDITION | 日付 DATE |
|  | OCTOBER 2017 |

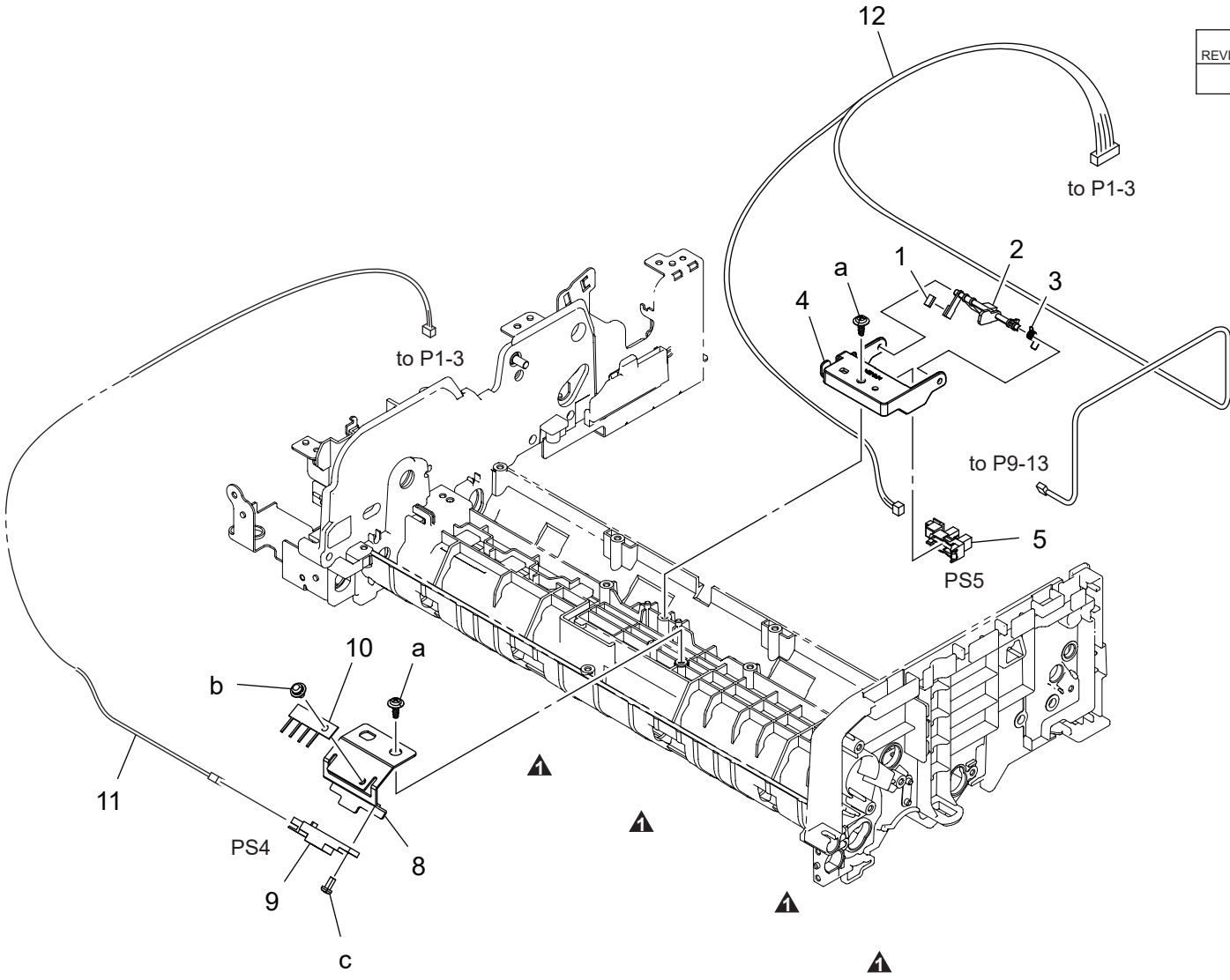


PAPER TRANSPORT SECTION

| Key | Part No. | Description | Destinations | Class | QTY | Standard parts |
|-----|---------------|---------------------|---------------------|-------|-----|----------------|
| 1 | A3CFPP3100 | Guide | (Model No.A7V7-WY2) | C | 1 | a-A143PP7M00 |
| 2 | A3CFPP3S03 | Bracket | (Model No.A7V7-WY2) | D | 1 | b-A7V7PP1700 |
| 3 | A5C1M50100 | Photointerrupter | (Model No.A7V7-WY2) | B | 2 | c-A143PP3X00 |
| 4 | A3CFPP3Y01 | Lever | (Model No.A7V7-WY2) | C | 1 | d-A143PP0P00 |
| 5 | A3CFPP1K01 | Bushing | (Model No.A7V7-WY2) | C | 2 | e-A3CFPP5M00 |
| 6 | A3CFPP6J00 | Motor Assy | (Model No.A7V7-WY2) | C | 1 | f-A3CFPP2G00 |
| 7 | A7V7PP0501 | Guide | (Model No.A7V7-WY2) | C | 1 | g-A3CFPP2F00 |
| 8 | A3CFPP4101 | Roller | (Model No.A7V7-WY2) | C | 4 | k-A3CFPP2V00 |
| 9 | A3CFPP3X00 | Torsion Spring | (Model No.A7V7-WY2) | C | 2 | m-A7V7PP1100 |
| 10 | A3CFPP3V01 | Arm | (Model No.A7V7-WY2) | C | 2 | |
| 11 | A87RPP0U00 | Guide | (Model No.A7V7-WY2) | D | 1 | |
| 12 | A87RPP0101 | Guide Film | (Model No.A7V7-WY2) | C | 1 | |
| 13 | A87RPP0R01 | Guide | (Model No.A7V7-WY2) | D | 1 | |
| 14 | A3CFPP4000 | Shaft | (Model No.A7V7-WY2) | D | 1 | |
| 15 | A3CFPP3U00 | Shaft | (Model No.A7V7-WY2) | D | 1 | |
| 16 | A87RPP0W00 | Guide Film | (Model No.A7V7-WY2) | C | 1 | |
| 17 | A87RPP0X00 | Guide Film | (Model No.A7V7-WY2) | C | 1 | |
| 18 | A87RPP0S03 | Guide | (Model No.A7V7-WY2) | D | 1 | |
| 19 | A3CFPP1P00 | Cushion | (Model No.A7V7-WY2) | C | 1 | |
| 20 | A87RPP0Y00Old | Torsion Coil Spring | (Model No.A7V7-WY2) | C | 1 | |
| 20 | A87RPP0Y01 | Torsion Coil Spring | (Model No.A7V7-WY2) | C | 1 | |
| 21 | A3CFPP6000 | Wire Harness Assy | (Model No.A7V7-WY2) | D | 1 | |
| 23 | A87RPP0T00 | Guide Plate | (Model No.A7V7-WY2) | D | 1 | |
| 24 | A87RPP0V00 | Guide Plate | (Model No.A7V7-WY2) | D | 1 | |
| 25 | A87RPP0000 | Torsion Coil Spring | (Model No.A7V7-WY2) | C | 1 | |
| | | | | | | |
| | | | | | | |
| | | | | | | |
| | | | | | | |
| | | | | | | |
| | | | | | | |
| | | | | | | |
| | | | | | | |
| | | | | | | |
| | | | | | | |
| | | | | | | |
| | | | | | | |

PAPER TRANSPORT SECTION

| | |
|------------------------|-------------------|
| 改訂版 REVISED EDITION | 日付 DATE |
| ▲ | SEPTEMBER 2015 |

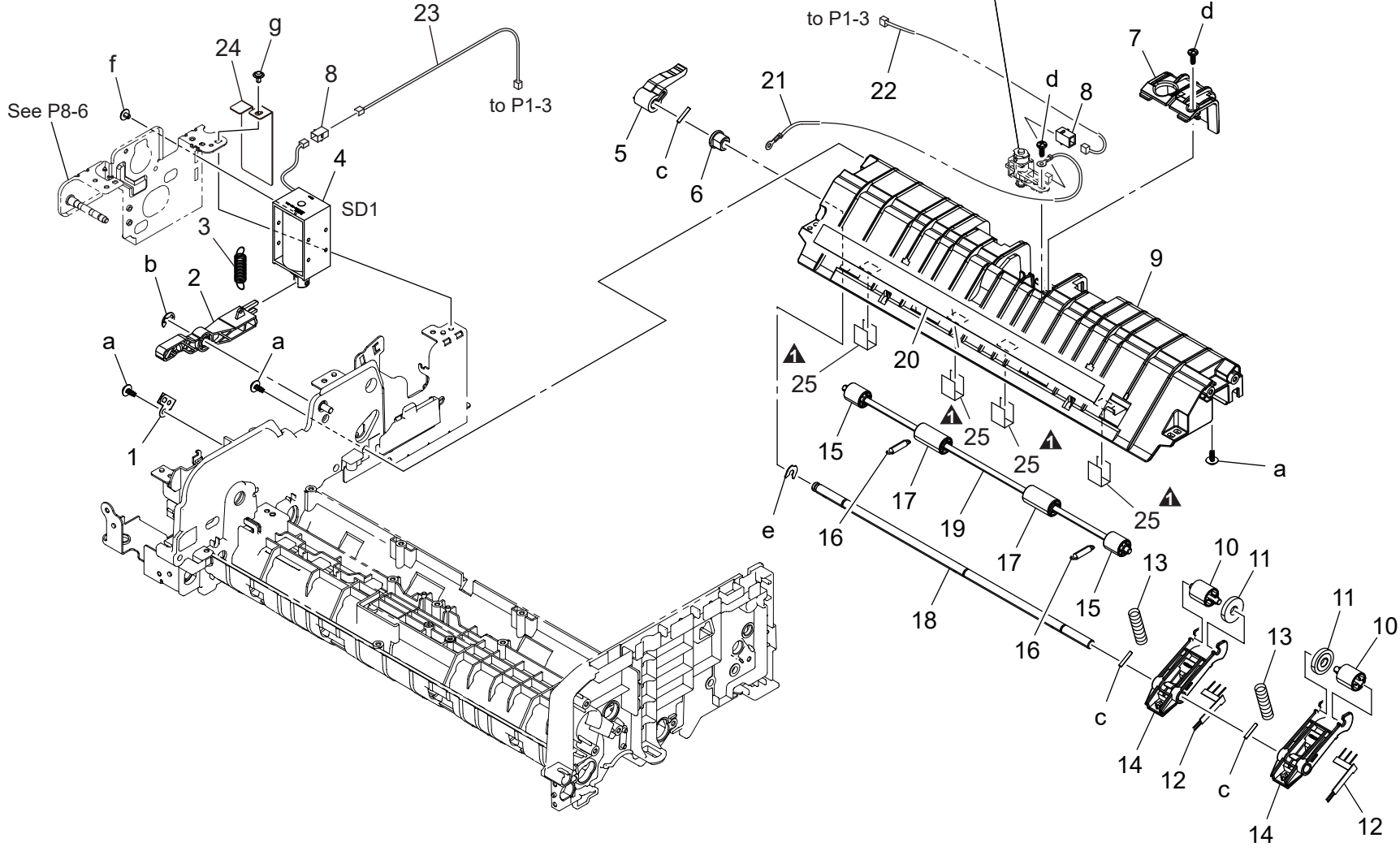


| Key | Part No. | Description | Destinations | Class | QTY | Standard parts |
|-----|------------|--------------------|---------------------|-------|-----|--|
| 1 | A143PP1Y00 | Sponge | | C | 1 | a-A3CFPP2G00 b-A3CFPP2Y01 c-A143PP0D00 |
| 2 | A143PP1A01 | Lever | | C | 1 | |
| 3 | A143PP1B00 | Torsion Spring | | C | 1 | |
| 4 | A3CFPP1M01 | Bracket | | D | 1 | |
| 5 | A5C1M50100 | Photointerrupter | | B | 1 | |
| 8 | A3CFPP1902 | Bracket | (Model No.A7V7-WY1) | D | 1 | |
| 8 | A87RPP1200 | Mounting Plate | (Model No.A7V7-WY2) | D | 1 | |
| 9 | A143PP7900 | Solid State Switch | (Model No.A7V7-WY1) | B | 1 | |
| 9 | A87RPP1400 | Photorelector | (Model No.A7V7-WY2) | I | 1 | |
| 10 | A143PP6800 | Neutralizing Brush | | C | 1 | |
| 11 | A3CFPP5Y01 | Wire Harness Assy | | D | 1 | |
| 12 | A3CFPP6102 | Wire Harness Assy | | D | 1 | |
| | | | | | | |
| | | | | | | |
| | | | | | | |
| | | | | | | |
| | | | | | | |
| | | | | | | |
| | | | | | | |
| | | | | | | |
| | | | | | | |
| | | | | | | |

PAPER TRANSPORT SECTION

| | |
|------------------------|-----------------|
| 改訂版 REVISED EDITION | 日付 DATE |
| ▲ | JANUARY 2016 |

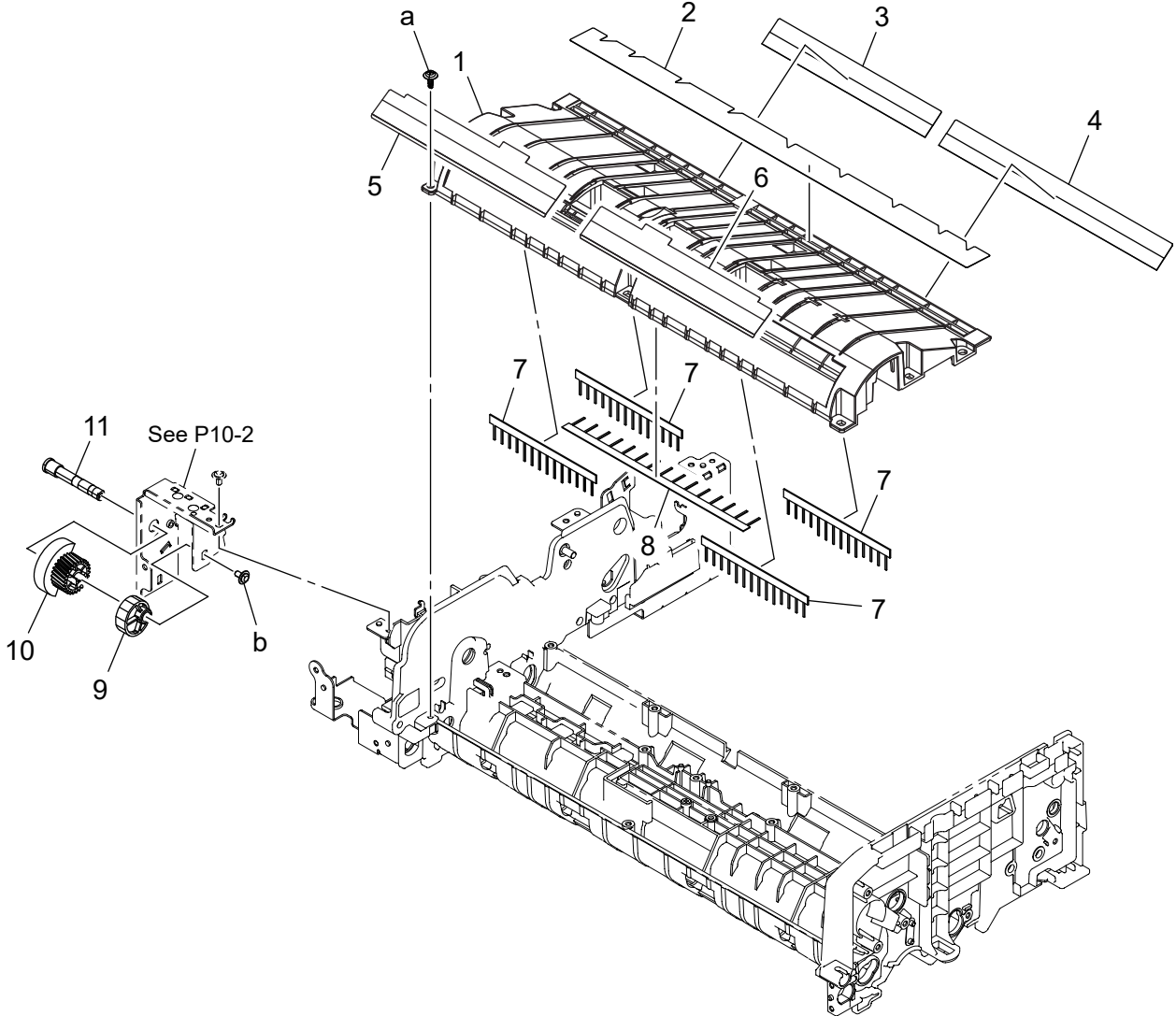
この部品はSP-501の構成部品です。
This part is a component of SP-501.



PAPER TRANSPORT SECTION

| Key | Part No. | Description | Destinations | Class | QTY | Standard parts |
|-----|------------|--------------------|--------------|-------|-----|--|
| 1 | A3CFPP2T01 | Plate Spring | | D | 1 | a-A3CFPP2G00 b-A143PP0S01 c-A143PP3X00 d-A7V7PP1800 e-A143PP5501 f-A143PP7N00 g-A143PP7M00 |
| 2 | A3CFPP1B00 | Lever | | C | 1 | |
| 3 | A143PP1R00 | Tension Spring | | C | 1 | |
| 4 | A143PP2C00 | Solenoid Assy | | C | 1 | |
| 5 | A3CFPP1A00 | Lever | | C | 1 | |
| 6 | A143PP8500 | Bushing | | C | 1 | |
| 7 | A7V7PP0700 | Cover | | C | 1 | |
| 8 | A143PP8F00 | Connector | | D | 2 | |
| 9 | A7V7PP0900 | Guide | | D | 1 | |
| 10 | A3CFPP1X01 | Roll | | C | 2 | |
| 11 | A143PP8600 | Washer | | C | 2 | |
| 12 | A3CFPP2U01 | Neutralizing Brush | | C | 2 | |
| 13 | A7V7PP1300 | Pressure Spring | | C | 2 | |
| 14 | A3CFPP1V03 | Holder | | D | 2 | |
| 15 | A3CFPP1T01 | Roller | | C | 2 | |
| 16 | A3CFPP2400 | Tension Spring | | C | 2 | |
| 17 | A3CFPP1U01 | Roller | | C | 2 | |
| 18 | A3CFPP2100 | Shaft | | D | 1 | |
| 19 | A3CFPP2500 | Shaft | | D | 1 | |
| 20 | A3CFPP2L00 | Film | | C | 1 | |
| 21 | A3CFPP6A00 | Wire Harness Assy | | D | 1 | |
| 22 | A3CFPP6500 | Wire Harness Assy | | D | 1 | |
| 23 | A3CFPP6600 | Wire Harness Assy | | D | 1 | |
| 24 | A7V7PP1000 | Shield Plate | | D | 1 | |
| 25 | A7V7PP2500 | Film | | C | 4 | |
| | | | | | | |
| | | | | | | |
| | | | | | | |
| | | | | | | |
| | | | | | | |
| | | | | | | |
| | | | | | | |
| | | | | | | |
| | | | | | | |
| | | | | | | |
| | | | | | | |
| | | | | | | |
| | | | | | | |
| | | | | | | |
| | | | | | | |
| | | | | | | |
| | | | | | | |
| | | | | | | |
| | | | | | | |
| | | | | | | |
| | | | | | | |
| | | | | | | |
| | | | | | | |
| | | | | | | |
| | | | | | | |

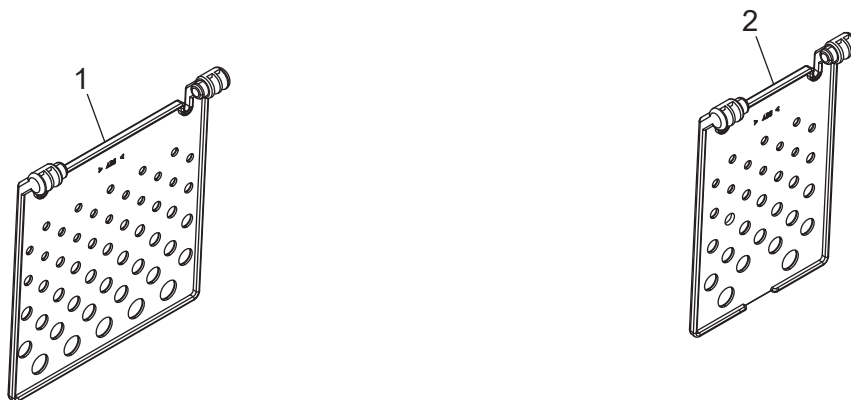
PAPER TRANSPORT SECTION



PAPER TRANSPORT SECTION

| Key | Part No. | Description | Destinations | Class | QTY | Standard parts |
|-----|------------|--------------------|--------------|-------|-----|------------------------------|
| 1 | A3CFPP1505 | Guide | | D | 1 | a-A3CFPP6K00 b-A143PP7M00 |
| 2 | A3CFPP1C01 | Film | | C | 1 | |
| 3 | A3CFPP1R00 | Film | | C | 1 | |
| 4 | A3CFPP1Q00 | Film | | C | 1 | |
| 5 | A3CFPP6F00 | Film | | C | 1 | |
| 6 | A3CFPP5502 | Seal | | C | 1 | |
| 7 | A143PP1X00 | NEUTRALIZING BRUSH | | C | 4 | |
| 8 | A3CFPP1N03 | Neutralizing Brush | | C | 1 | |
| 9 | A3CFPP3T00 | Cam | | C | 1 | |
| 10 | A143PP3P01 | Gear | | C | 1 | |
| 11 | A3CFPP3M00 | Shaft | | D | 1 | |
| | | | | | | |
| | | | | | | |
| | | | | | | |
| | | | | | | |
| | | | | | | |
| | | | | | | |
| | | | | | | |
| | | | | | | |
| | | | | | | |

ACCESSORY PARTS

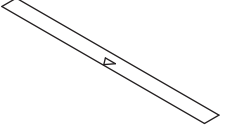


ACCESSORY PARTS

| Key | Part No. | Description | Destinations | Class | QTY | Standard parts |
|-----|------------|-------------------|--------------|-------|-----|----------------|
| 1 | A3CF113900 | Hinge Cover Left | | C | 1 | |
| 2 | A3CF116400 | Hinge Cover Right | | C | 1 | |
| 3 | A143114600 | Screw | | C | 2 | |
| 4 | A3CF116100 | Screw_two step | | C | 2 | |
| | | | | | | |
| | | | | | | |
| | | | | | | |
| | | | | | | |
| | | | | | | |
| | | | | | | |
| | | | | | | |
| | | | | | | |
| | | | | | | |

WIRING ACCESSORIES AND JIGS

P 15

| | | | | | | | |
|--|----|----|----|----|----|----|----|
| 1  | 6 | 11 | 16 | 21 | 26 | 31 | 36 |
| 2 | 7 | 12 | 17 | 22 | 27 | 32 | 37 |
| 3 | 8 | 13 | 18 | 23 | 28 | 33 | 38 |
| 4 | 9 | 14 | 19 | 24 | 29 | 34 | 39 |
| 5 | 10 | 15 | 20 | 25 | 30 | 35 | 40 |

WIRING ACCESSORIES AND JIGS

| Key | Part No. | Description | | Destinations | Class | QTY | Standard parts |
|-----|------------|------------------|-----------------------|--------------|-------|-----|----------------|
| 1 | 9J06PJG100 | DF reading chart | 治具 (A D F 読取り位置調整用) | | S | 1 | |
| | | | | | | | |
| | | | | | | | |
| | | | | | | | |
| | | | | | | | |
| | | | | | | | |
| | | | | | | | |
| | | | | | | | |
| | | | | | | | |
| | | | | | | | |
| | | | | | | | |
| | | | | | | | |
| | | | | | | | |
| | | | | | | | |

MAINTENANCE LIST

● The items with no Page/Key numbers are not handled as spare parts.

| No. | Section | PM Parts Description | Maintenance Cycle (K=1,000) | | Parts No. | Destinations | Page/Key | Note |
|-----|-----------------------|----------------------|-----------------------------|---------|------------|---------------------|----------|------|
| | | | QTY | Replace | | | | |
| 1 | Paper Take-up Section | Pick-up roller | 2 | 200K | A143PP5200 | (Model No.A7V7-WY1) | P6-7 | *1*2 |
| 2 | | Pick-up roller | 1 | 200K | A143PP5200 | (Model No.A7V7-WY2) | P6A-13 | *1*2 |
| 3 | | Feed roller | 1 | 200K | A143563100 | (Model No.A7V7-WY1) | P6-19 | *1*2 |
| 4 | | Feed roller | 1 | 200K | 4030300501 | (Model No.A7V7-WY2) | P6A-22 | *1*2 |
| 5 | | Separation roller | 1 | 200K | A7V7PP3101 | | P7-8 | *1*2 |

*1: Actual durable cycle (life counter value)

*2: Replace those parts at the same time.

メンテナンスリスト

● ページ / キーナンバーのないものは、アフターサービス部品ではありません。

| No. | 区分 | PM 部品名称 | サイクル (K=1,000) | | 部品番号 | 仕向地 | 頁 / キー | 備考 |
|-----|-----|-------------|----------------|------|------------|---------------------|--------|------|
| | | | 員数 | 交換 | | | | |
| 1 | 給紙部 | ピックアップローラー | 2 | 200K | A143PP5200 | (Model No.A7V7-WY1) | P6-7 | *1*2 |
| 2 | | ピックアップローラー | 2 | 200K | A143PP5200 | (Model No.A7V7-WY2) | P6A-13 | *1*2 |
| 3 | | 給紙ローラー | 1 | 200K | A143563100 | (Model No.A7V7-WY1) | P6-19 | *1*2 |
| 4 | | 給紙ローラー | 1 | 200K | 4030300501 | (Model No.A7V7-WY2) | P6A-22 | *1*2 |
| 5 | | 分離ローラー Assy | 1 | 200K | A7V7PP3101 | | P7-8 | *1*2 |

*1: 実質交換サイクル値 (ライフカウンター値)

*2: 同時交換すること。

DESTINATION

| Destination No. | | Destinations | | V | Hz | Model No. |
|-----------------|----|--|---|---------|-------|---------------------|
| A | A1 | JAPAN | | 100 | 50/60 | A7V7WY1/ A7V7WY2 |
| | A2 | JAPAN | | | | |
| B | | USA, CANADA | | 120 | 60 | A7V7WY1/ A7V7WY2 |
| C | | EUROPEAN TYPE | | 220-240 | 50/60 | A7V7WY1/ A7V7WY2 |
| D | D1 | S.E ASIA TYPE | THAILAND, SRI LANKA, SINGAPORE, MALAYSIA, HONG KONG, PAKISTAN, INDIA, BANGLADESH, INDONESIA | 220-240 | 50/60 | A7V7WY1 |
| | D3 | OCEANIA TYPE | AUSTRALIA, NEW ZEALAND | 220-240 | 50/60 | A7V7WY1 |
| E | | PHILIPPINES | | 220-240 | 50/60 | A7V7WY1 |
| F | F1 | SAUDI ARABIA | | | | |
| | F2 | SAUDI ARABIA | | 220-240 | 50/60 | A7V7WY1 |
| G | G1 | C.S AMERICA | | 220-240 | 50/60 | A7V7WY1 |
| | G2 | C.S AMERICA | | 120 | 60 | A7V7WY1/ A7V7WY2 |
| H | | TAIWAN | | 110 | 60 | A7V7WY1 |
| I | | JORDAN, LEBANON, SYRIA, SOUTH AFRICA, IRAQ, IRAN, N.YEMEN, CAMEROON, UAE, BAHRAIN, OMAN, QATAR, KUWAIT, KENYA, TUNISIA, IVORY COAST, MOROCCO | | 220-240 | 50/60 | A7V7WY1/ A7V7WY2 |
| J | | CHINA | | 220-240 | 50/60 | A7V7WY1 |
| K | | KOREA | | 220-240 | 50/60 | A7V7WY1 |