

KONICA MINOLTA

PARTS GUIDE MANUAL

JUNE 2017

DF-629
A87R

INFORMATION FOR PARTS GUIDE MANUAL

To find correct Parts No., refer to the "HOW TO MAKE THE BEST USE OF THIS MANUAL" in the following page.

HOW TO MAKE THE BEST USE OF THIS MANUAL

- 1 When you order, please check the proper figures beforehand that are on Our Parts Guide Manual, and order with the appropriate figures.
- 2 For screws, Nuts, Washers, retaining rings and Pins which are used in this model, one letter is shown on the Standard parts column of Parts list and exploded diagrams.
- 3 In order to maintain safety of the product, some specific parts composed of this product are set up as "essential safety parts".
- 4 The assigned parts number for the "essential safety parts" is indicated as "SP00-****".
When replacing these parts, follow precautions for disassembling and installing which are listed in the Service Manual.
Do not use any parts that are not set up as
- 5 ♣ means that there are exclusive parts for each destination.
Please check the appropriate destination when you order.
- 6 Revision Mark
Marked as ▲ on the illustration shows that the revision has been made.
- 7 All rights reserved. (any reprints or quotations are prohibited.)
Use of this parts guide manual should be strictly supervised to avoid disclosure of confidential information.

パーツガイドマニュアルのご案内

サービス部品をご発注の際には、下記に示す“パーツガイドマニュアルの活用にあたって”をご参照の上、正しい部品番号にてお願い致します。

パーツガイドマニュアルの活用にあたって

- 1 部品発注の際には、掲載されている部品番号の桁数を確認し、掲載されている桁数で発注願います。
- 2 この製品に使用されているネジ、ナット、ワッシャー、止め輪、ピンなどは、リストの右側の Standard parts 欄に a,b,c,…… で表示し、イラストにも a,b,c,…… 表示してあります。
- 3 製品の安全性を維持する為に、製品に使用される特定の部品を「重要保安部品」として設定しています。
- 4 重要保安部品の部品番号は、“SP00-****”と記載されていますので、部品交換時は、サービスマニュアル記載の分解・組み立ての注意事項に従って作業をして下さい。
また、指定以外の部品は一切使用しないで下さい。
- 5 本文に ♣ が表示されている部品は、仕向け地毎に専用部品がある事を意味しています。
オーダーされる時は、仕向け地を確認して下さい。
- 6 改訂記号について
イラスト上に ▲ 印が表示されている部分は、改訂された事を表します。
- 7 著作権所有（無断転載及び無断引用の禁止）
本パーツガイドマニュアルについては、機密保持等その扱いには十分注意して下さい。万一取り扱いを誤った場合には、法律で処罰されることがあります。

CONTENTS

No.	DESCRIPTION	名称	PAGE No.
1	EXTERNAL PARTS	外装部	P1 P2
2	PAPER FEED TRAY SECTION	給紙トレイ部	P3
3	PAPER TAKE-UP SECTION	給紙部	P4 P5 P6 P7
4	PAPER TRANSPORT SECTION	搬送部	P8 P9 P10 P11 P12 P13
5	WIRING ACCESSORIES AND JIGS	配線部品・治具	P14
6	ACCESSORY PARTS	同梱部品	P15

INDEX

Parts No.	Page No.
9J06PJG100	14-1
A00J563600	6-24
A108M50000	3-5
A143114600	15-3
A143563100	6-24
A143563300	6-28
A143PP1A01	11-2
A143PP1B00	5-4
A143PP1B00	11-3
A143PP1M00	8-16
A143PP1M00	9-5
A143PP1R00	12-3
A143PP1X00	13-7
A143PP1Y00	11-1
A143PP2801	2-7
A143PP2901	2-6
A143PP2C00	12-4
A143PP3P01	10-27
A143PP4D02	9-9
A143PP4H01	9-16
A143PP4Y00	6-17
A143PP5000	6-15
A143PP5101	6-16
A143PP5200	6-13
A143PP5301	6-12
A143PP5601	6-22
A143PP5901	6-19
A143PP5A00	6-27
A143PP5B01	6-21
A143PP5F01	4-2
A143PP5J01	5-11
A143PP5K01	5-12
A143PP5M01	5-13
A143PP5R04	4-3
A143PP5T03	6-8
A143PP5U03	6-11
A143PP5V00	4-4
A143PP5X00	4-8
A143PP5Y01	6-14
A143PP6601	6-23

Parts No.	Page No.
A143PP6800	5-7
A143PP6800	11-8
A143PP6900	5-3
A143PP6F01	3-8
A143PP6K01	3-14
A143PP6M01	3-12
A143PP6X00	3-13
A143PP7301	5-18
A143PP8500	12-6
A143PP8600	12-11
A143PP8F00	12-8
A143PP9300	8-8
A143PP9G00	6-9
A3CEPP3301	9-27
A3CF103400	8-27
A3CF103400	9-20
A3CF113900	15-1
A3CF116100	15-4
A3CF116400	15-2
A3CF213300	9-3
A3CFPP1505	13-1
A3CFPP1600	4-12
A3CFPP1700	6-7
A3CFPP1803	9-30
A3CFPP1A00	12-5
A3CFPP1B00	12-2
A3CFPP1C01	13-2
A3CFPP1D00	8-20
A3CFPP1E01	8-21
A3CFPP1E02	8-21
A3CFPP1F01	8-19
A3CFPP1G00	9-11
A3CFPP1H01	8-25
A3CFPP1H02	8-25
A3CFPP1J01	8-22
A3CFPP1K01	10-4
A3CFPP1M01	11-4
A3CFPP1N03	13-8
A3CFPP1P00	10-18
A3CFPP1Q00	13-4

Parts No.	Page No.
A3CFPP1R00	13-3
A3CFPP1T01	12-15
A3CFPP1U01	12-17
A3CFPP1V03	12-14
A3CFPP1X01	12-10
A3CFPP1Y00	1-8
A3CFPP2100	12-18
A3CFPP2301	2-4
A3CFPP2400	12-16
A3CFPP2500	12-19
A3CFPP2704	1-5
A3CFPP2A01	2-2
A3CFPP2B00	9-12
A3CFPP2C00	8-5
A3CFPP2E00	8-18
A3CFPP2E00	9-8
A3CFPP2L00	12-20
A3CFPP2R00	2-3
A3CFPP2T01	12-1
A3CFPP2U01	12-12
A3CFPP3100	10-29
A3CFPP3400	8-23
A3CFPP3500	8-26
A3CFPP3600	9-6
A3CFPP3800	8-24
A3CFPP3900	8-13
A3CFPP3C00	8-12
A3CFPP3D01	8-9
A3CFPP3E01	9-2
A3CFPP3F01	8-6
A3CFPP3G00	8-4
A3CFPP3H00	8-15
A3CFPP3J01	8-17
A3CFPP3J01	9-4
A3CFPP3M00	10-28
A3CFPP3P01	8-10
A3CFPP3R00	8-7
A3CFPP3S02	10-30
A3CFPP4202	9-24
A3CFPP4301	9-22

Parts No.	Page No.
A3CFPP4400	9-10
A3CFPP4500	9-25
A3CFPP4600	9-26
A3CFPP4700	9-18
A3CFPP4800	9-15
A3CFPP4900	9-17
A3CFPP4A00	9-21
A3CFPP4B00	9-23
A3CFPP4C00	9-19
A3CFPP4F00	9-28
A3CFPP4G00	7-1
A3CFPP4H00	7-2
A3CFPP4L00	7-4
A3CFPP4M05	7-6
A3CFPP4N00	7-5
A3CFPP4P00	7-8
A3CFPP4T01	5-14
A3CFPP4U01	5-15
A3CFPP4V00	6-6
A3CFPP5200	5-8
A3CFPP5300	6-10
A3CFPP5400	5-16
A3CFPP5502	13-6
A3CFPP5B02	3-2
A3CFPP5C01	3-6
A3CFPP5D02	3-11
A3CFPP5E03	3-10
A3CFPP5F03	3-3
A3CFPP5G03	3-1
A3CFPP5H01	3-7
A3CFPP5J01	3-9
A3CFPP5K01	5-1
A3CFPP5L00	5-5
A3CFPP5N01	4-11
A3CFPP5P01	7-7
A3CFPP5R00	9-14
A3CFPP5S00	8-2
A3CFPP5U01	8-1
A3CFPP5X02	3-15
A3CFPP5Y01	11-9

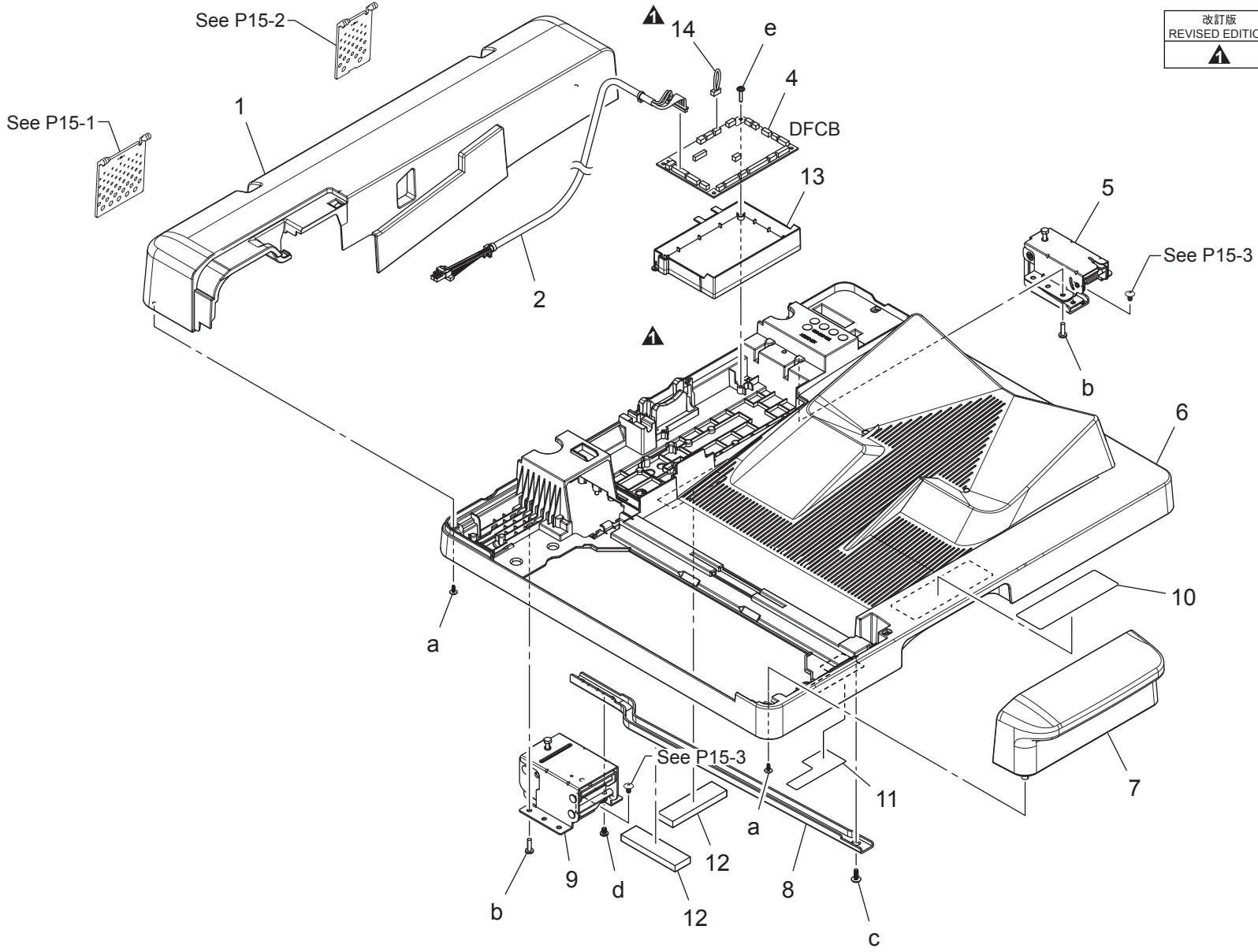
Parts No.	Page No.
A3CFPP6000	10-2
A3CFPP6102	11-10
A3CFPP6300	9-31
A3CFPP6403	9-29
A3CFPP6500	12-22
A3CFPP6600	12-23
A3CFPP6701	8-28
A3CFPP6801	8-29
A3CFPP6A00	12-21
A3CFPP6B00	2-1
A3CFPP6C00	5-17
A3CFPP6F00	13-5
A3CFPP6J00	10-31
A3CFPP6L00	7-3
A3CFPP6P00	1-10
A3CFPP6Q00	1-11
A3CFPP6S00	3-16
A3CFPP6U00	4-10
A3CFPP7000	6-1
A3CFPP7100	1-12
A5C1M50100	3-4
A5C1M50100	5-2
A5C1M50100	9-13
A5C1M50100	10-3
A5C1M50100	11-5
A7V7PP0300	1-13
A7V7PP0501	10-1
A7V7PP0600	1-7
A7V7PP0700	12-7
A7V7PP0900	12-9
A7V7PP1000	8-30
A7V7PP1201	2-5
A7V7PP1300	12-13
A7V7PP2200	6-25
A7V7PP2300	6-18
A7V7PP2400	6-3
A7V7PP2800	6-30
A85GPP0U00	7-9
A87RPP0000	10-11
A87RPP0101	10-24

Parts No.	Page No.
A87RPP0300	6-25
A87RPP0400	6-18
A87RPP0500	6-5
A87RPP0600	6-4
A87RPP0701	4-9
A87RPP0800	4-1
A87RPP0900	5-19
A87RPP0A01	5-9
A87RPP0B00	4-7
A87RPP0B00	5-6
A87RPP0C00	5-10
A87RPP0D01	4-5
A87RPP0E01	4-6
A87RPP0F00	6-2
A87RPP0G01	10-6
A87RPP0H00	10-9
A87RPP0J00	10-8
A87RPP0K01	10-21
A87RPP0M01	10-10
A87RPP0N01	10-7
A87RPP0Q01	10-5
A87RPP0R01	10-23
A87RPP0S03	10-16
A87RPP0T00	10-12
A87RPP0U00	10-20
A87RPP0W00	10-17
A87RPP0X00	10-19
A87RPP0Y00	10-15
A87RPP0Y01	10-15
A87RPP1001	10-22
A87RPP1100	10-13
A87RPP1200	11-6
A87RPP1300	12-24
A87RPP1400	11-7
A87RPP1500	10-25
A87RPP1600	10-26
A87RPP1700	1-4
A87RPP1801	1-6
A87RPP1900	1-2
A87RPP1B01	1-1

Parts No.	Page No.
A87RPP1C00	6-20
A87RPP1D00	6-29
A87RPP1F01	4-13
A87RPP1G00	8-25
A87RPP1H00	8-32
A87RPP1J00	8-33
A87RPP1K00	8-34
A87RPP1N00	9-7
A87RPP1P00	8-3
A87RPP1Q00	6-31
A87RPP1R00	6-32
A87RPP1S00	8-11
A87RPP1T00	8-14
A87RPP1U00	10-14
A87RPP1V00	9-1
A87RPP1W00	1-14
A87RPP1X01	1-9
A87RPP1Y00	8-31

EXTERNAL PARTS

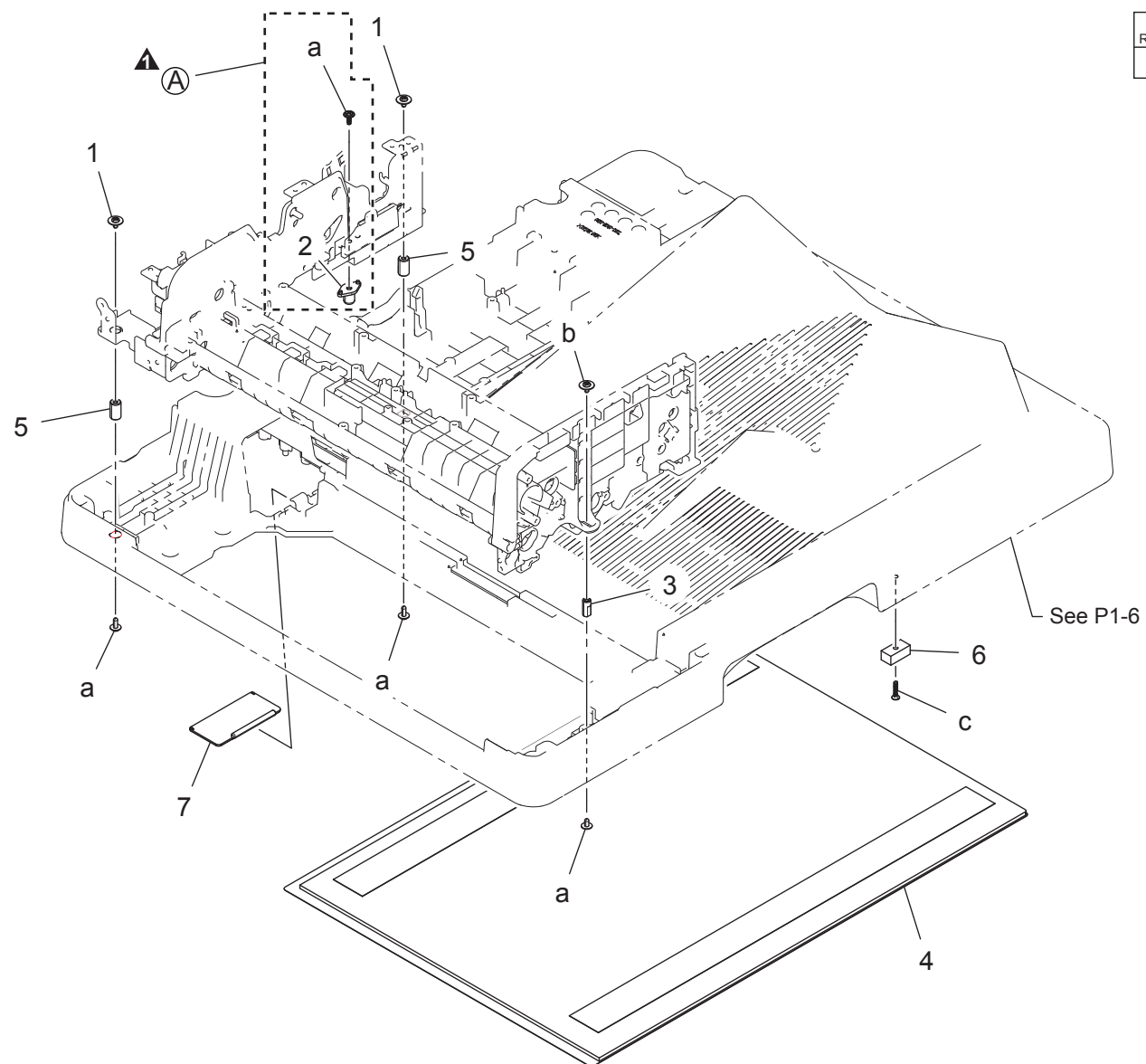
改訂版 REVISED EDITION	日付 DATE
▲	NOVEMBER 2016



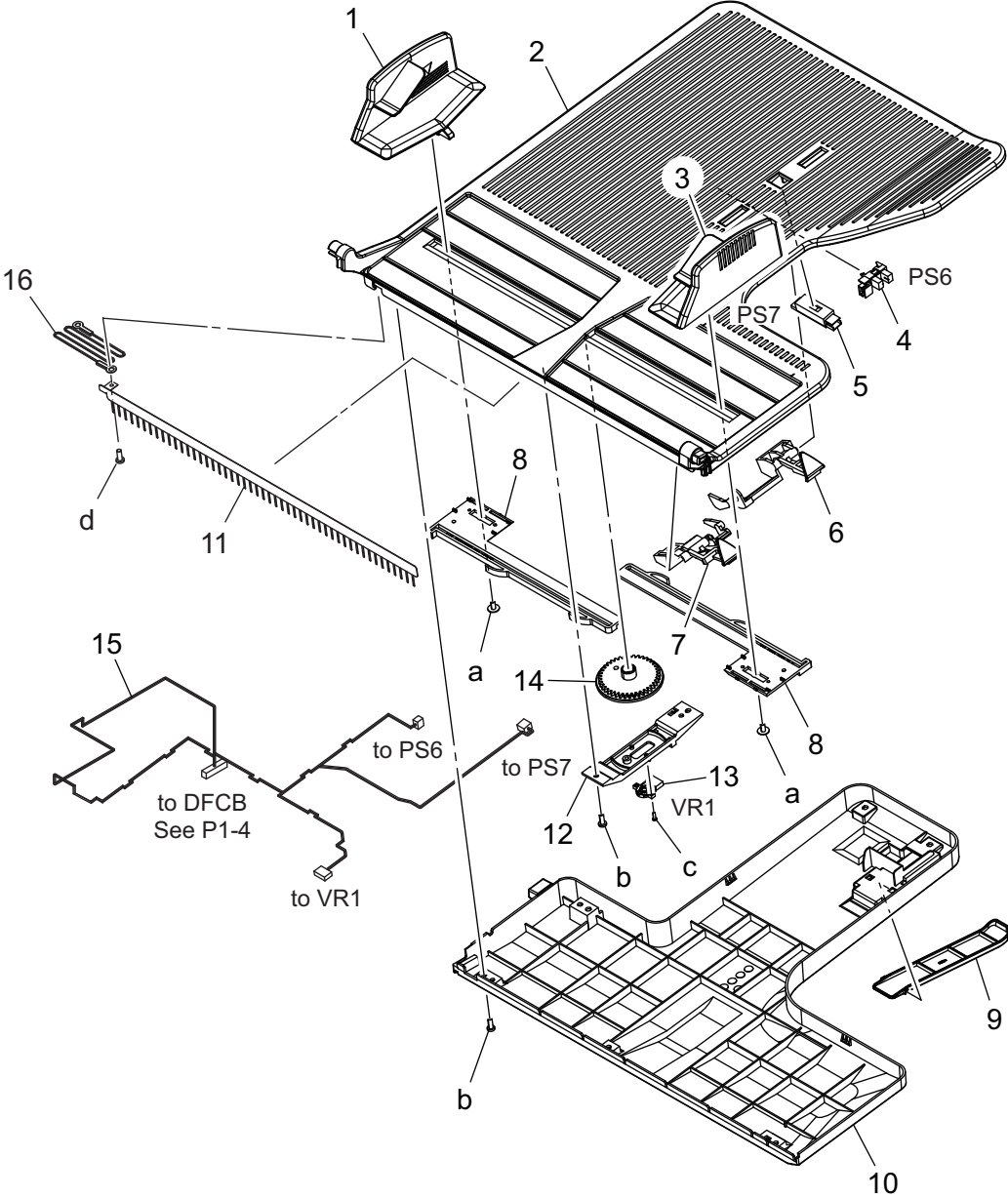
EXTERNAL PARTS

P 2

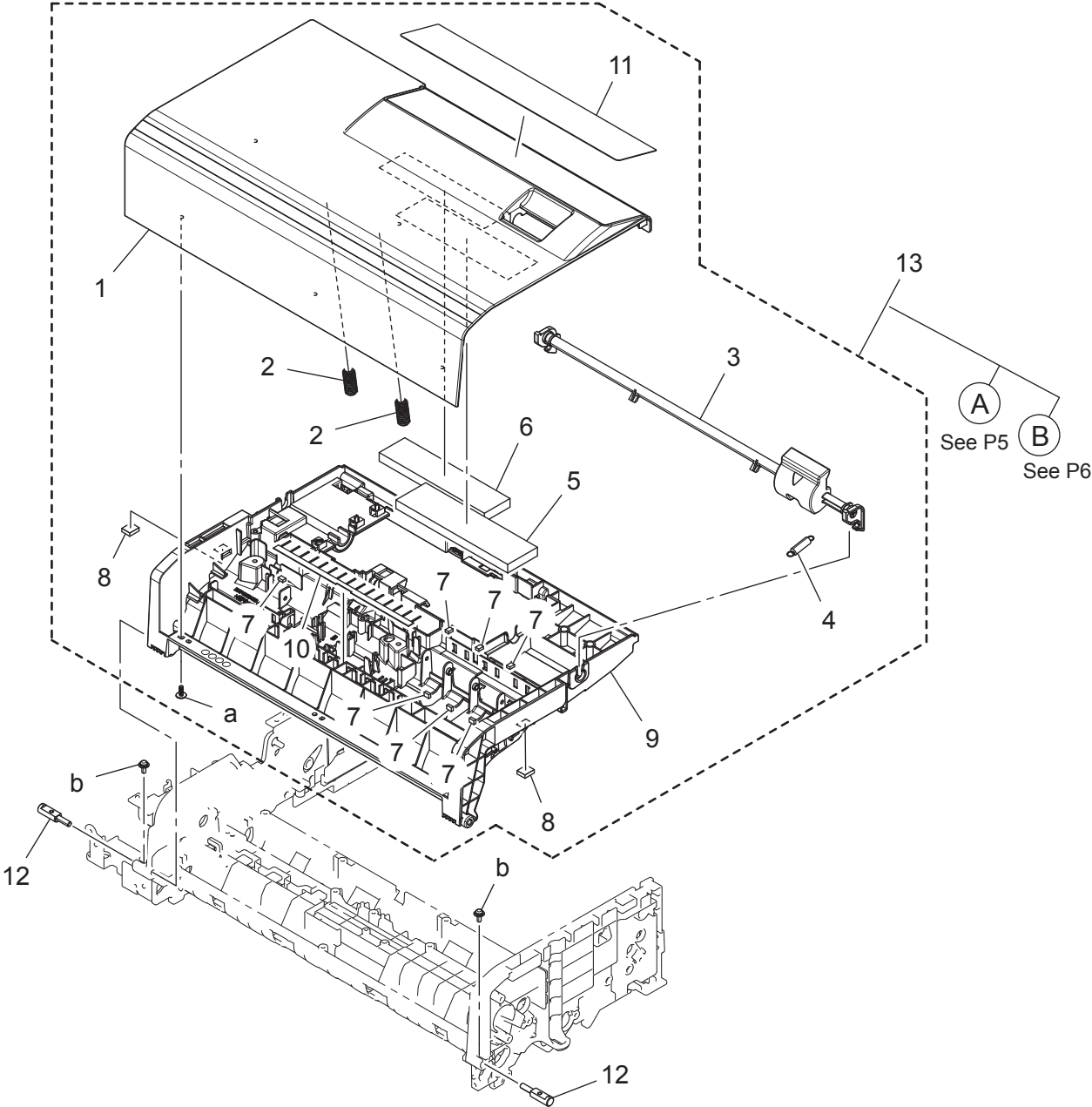
改訂版 REVISED EDITION	日付 DATE
	DECEMBER 2016



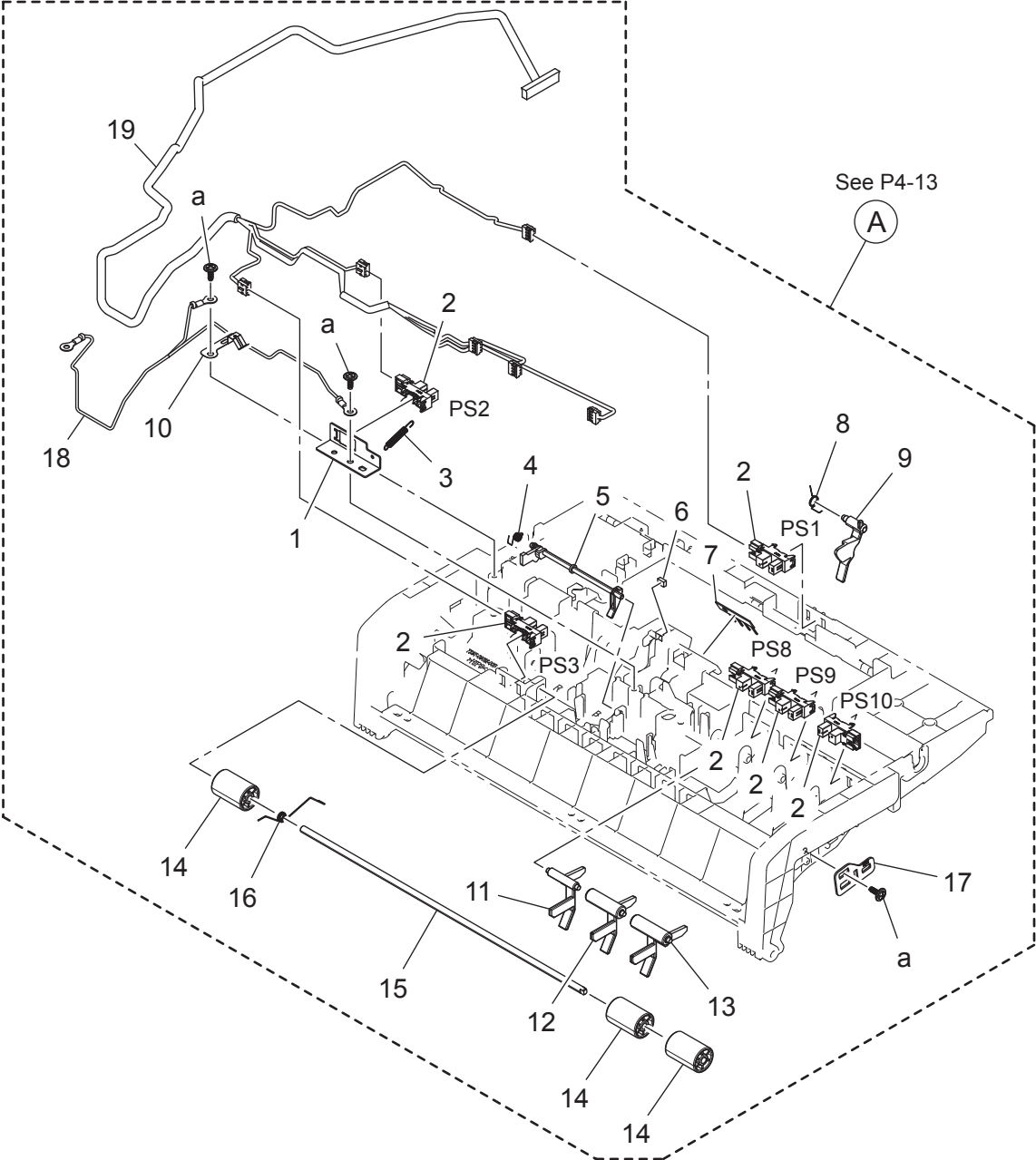
PAPER FEED TRAY SECTION



PAPER TAKE-UP SECTION

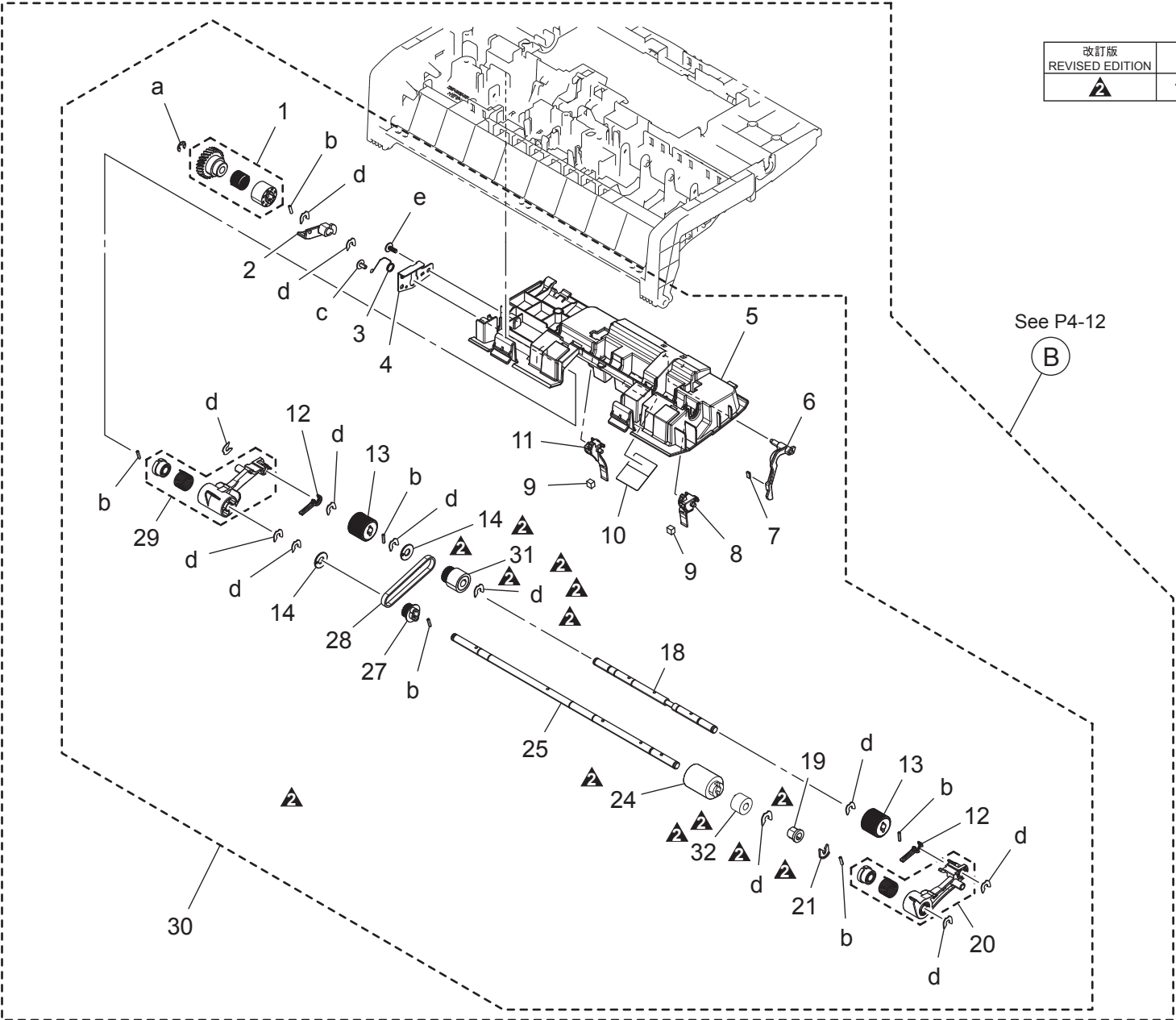


PAPER TAKE-UP SECTION



PAPER TAKE-UP SECTION

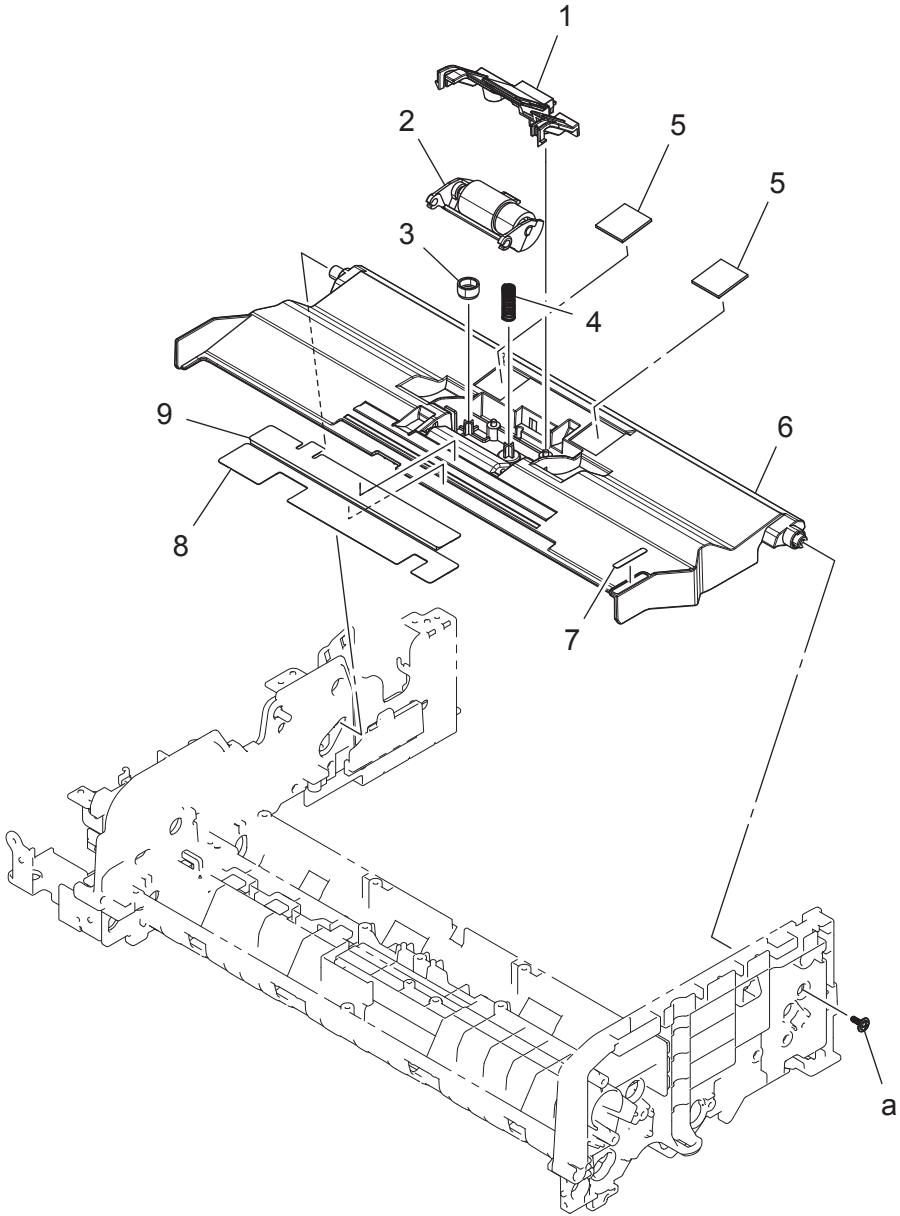
改訂版 REVISED EDITION	日付 DATE
	JANUARY 2016



PAPER TAKE-UP SECTION

Key	Part No.	Description	Destinations	Class	QTY	Standard parts
1	A3CFPP7000	Gear Assy		C	1	a-A7V7PP1700 b-A143PP4S00 c-A143PP7M00 d-A143PP5501 e-A3CFPP2G00
2	A87RPP0F00	Lever		C	1	
3	A7V7PP2400	Torsion Spring		C	1	
4	A87RPP0600	Mounting Plate		D	1	
5	A87RPP0500	Guide		D	1	
6	A3CFPP4V00	Lever		C	1	
7	A3CFPP1700	Magnet		D	1	
8	A143PP5T03	Stopper		C	1	
9	A143PP9G00	Damper		C	2	
10	A3CFPP5300	Film		C	1	
11	A143PP5U03	Stopper		C	1	
12	A143PP5301	Stopper		C	2	
13	A143PP5200	Roller		A	2	
14	A143PP5Y01	Flange		D	2	
15	A143PP5000	Pulley 21T		C	1	
16	A143PP5101	Coupling		C	1	
17	A143PP4Y00	Holder		C	1	
18	A87RPP0400Old	Shaft		D	1	
18	A7V7PP2300	Shaft		D	1	
19	A143PP5901	Bushing		C	1	
20	A87RPP1C00	Lever Assy/ Front		C	1	
21	A143PP5B01	Stop Ring		C	1	
22	A143PP5601	Coupling		C	1	
23	A143PP6601	Coupling		C	1	
24	A143563100Old	Roller		A	1	
24	A00J563600	Roller		A	1	
25	A87RPP0300Old	Shaft		D	1	
25	A7V7PP2200	Shaft		D	1	
27	A143PP5A00	Pulley 19T		C	1	
28	A143563300	TIMING BELT 134L		C	1	
29	A87RPP1D00	Lever Assy/ Rear		C	1	
30	A7V7PP2800	Paper Feed Assy		D	1	
31	A87RPP1Q00	PULLEY 21T		C	1	
32	A87RPP1R00	Clutch		C	1	

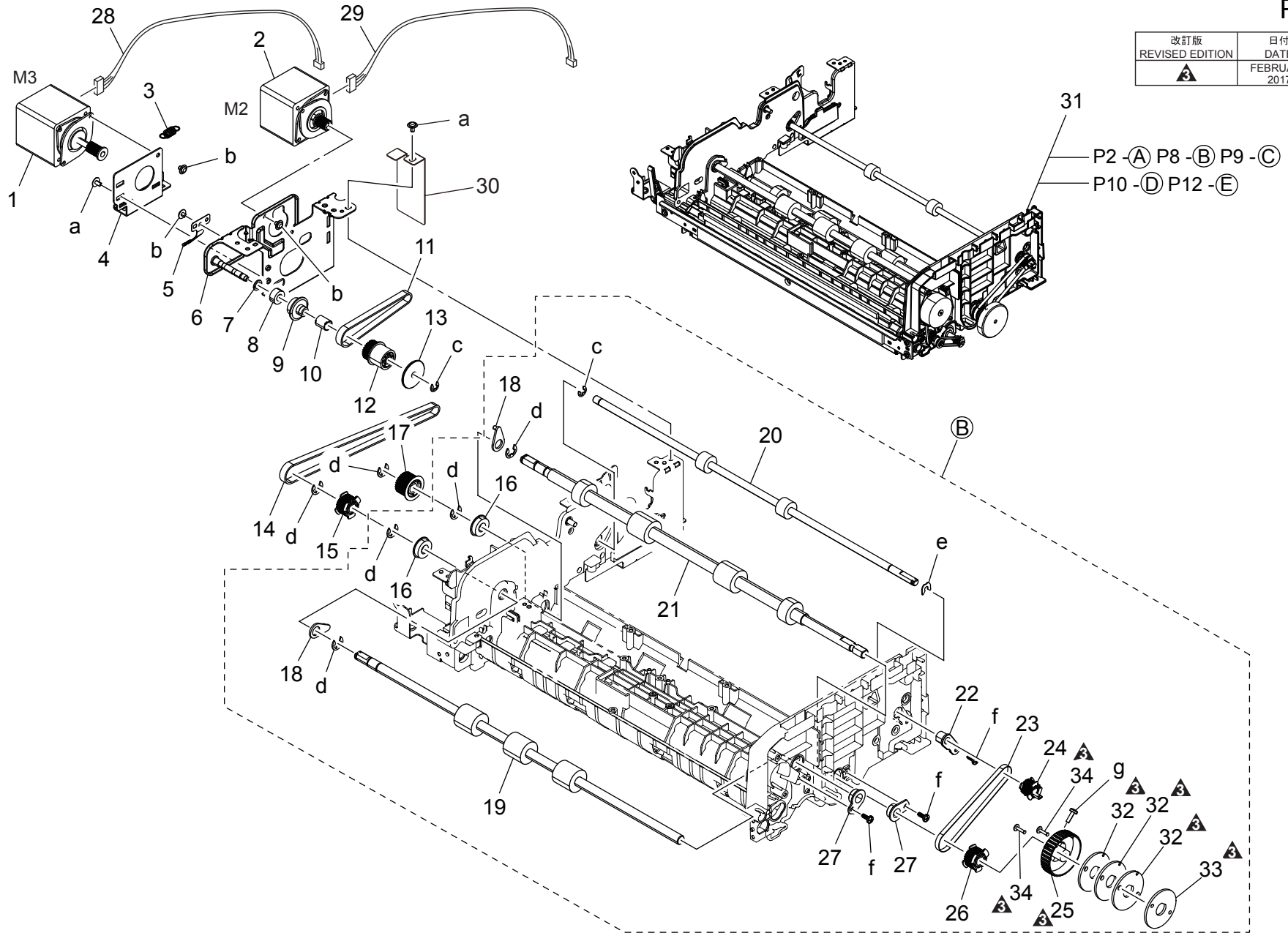
PAPER TAKE-UP SECTION



PAPER TRANSPORT SECTION

P 8


改訂版 REVISED EDITION	日付 DATE
	FEBRUARY 2017

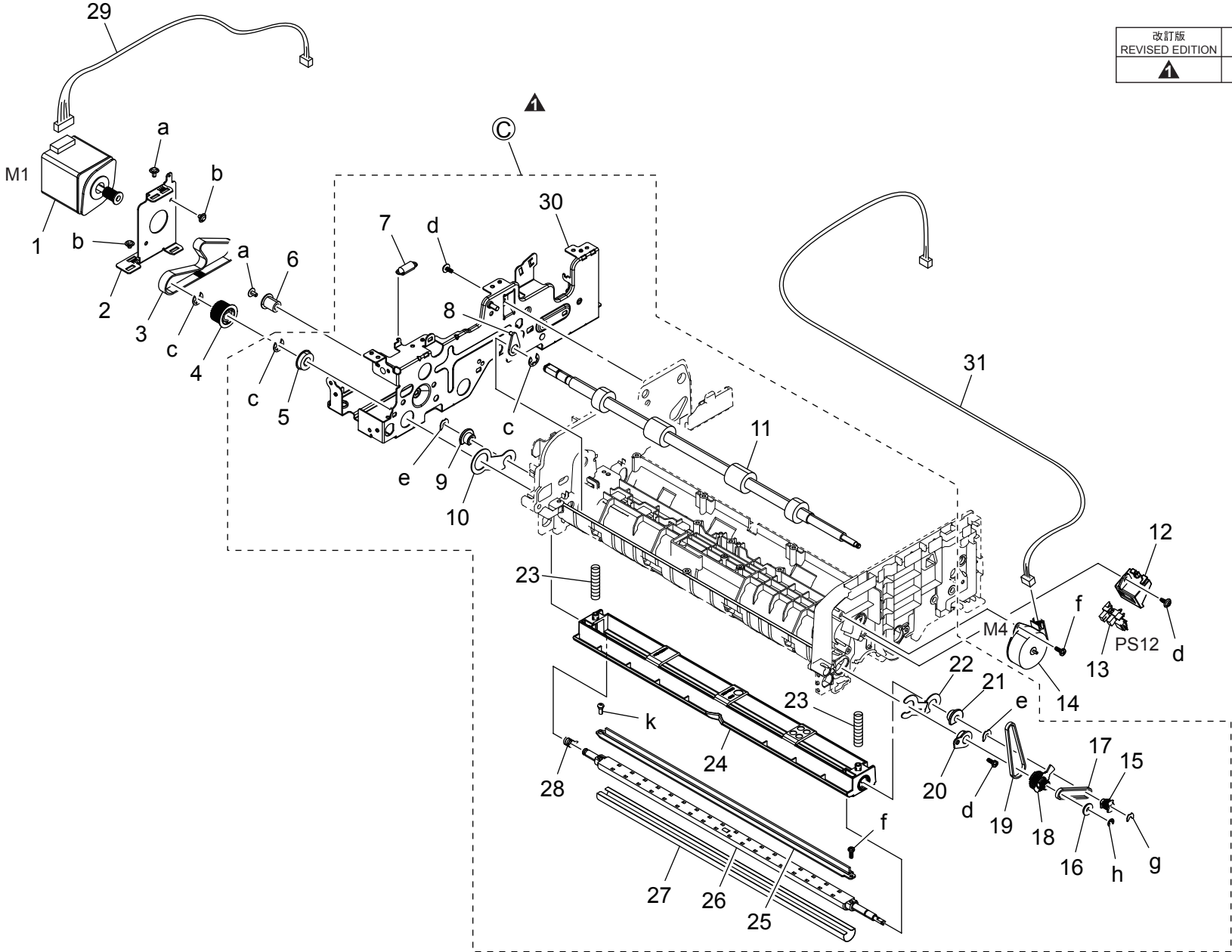


PAPER TRANSPORT SECTION

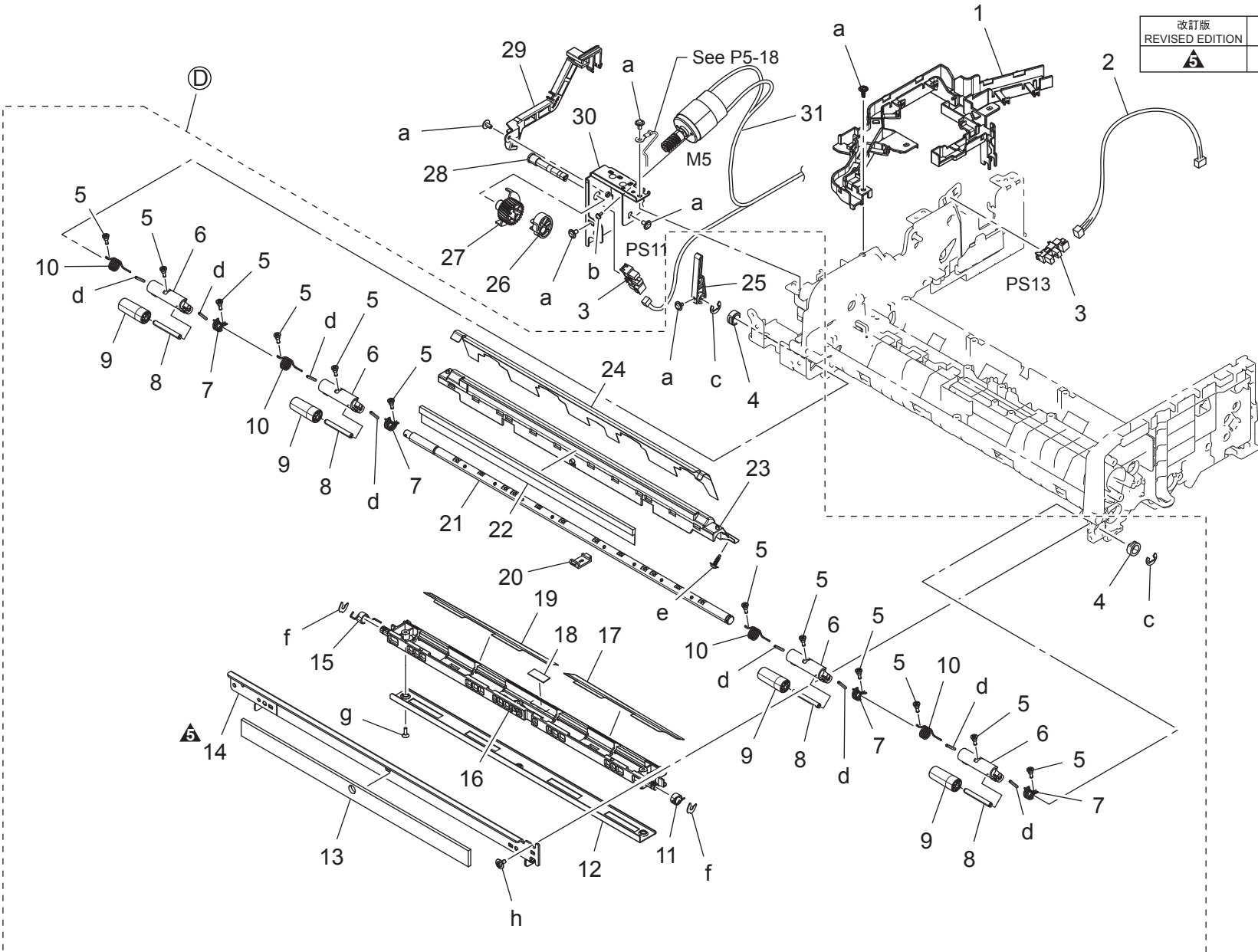
Key	Part No.	Description	Destinations	Class	QTY	Standard parts
1	A3CFPP5U01	Motor		C	1	a-A143PP7M00 b-A143PP7N00 c-A7V7PP1700 d-A143PP0P00 e-A143PP5501 f-A3CFPP2G00 g-A3CFPP6E00
2	A3CFPP5S00	Motor		C	1	
3	A87RPP1P00	Tension Spring		C	1	
4	A3CFPP3G00	Bracket		C	1	
5	A3CFPP2C00	Plate Spring		D	1	
6	A3CFPP3F01	Bracket		D	1	
7	A3CFPP3R00	Washer		C	1	
8	A143PP9300	BEARING		C	1	
9	A3CFPP3D01	Pulley		C	1	
10	A3CFPP3P01	Pressure Spring		C	1	
11	A87RPP1S00	Timing Belt		C	1	
12	A3CFPP3C00	Pulley		C	1	
13	A3CFPP3900	Flange		C	1	
14	A87RPP1T00	Timing Belt		C	1	
15	A3CFPP3H00	Pulley		D	1	
16	A143PP1M00	Ball Bearing		C	2	
17	A3CFPP3J01	Pulley		C	1	
18	A3CFPP2E00	Bushing		D	2	
19	A3CFPP1F01	Roller		C	1	
20	A3CFPP1D00	Roller		C	1	
21	A3CFPP1E01Old	Roller		C	1	
21	A3CFPP1E02	Roller		C	1	
22	A3CFPP1J01	Bushing		C	1	
23	A3CFPP3400	Timing Belt		C	1	
24	A3CFPP3800	Pulley		C	1	
25	A3CFPP1H01Old	Fly Wheel		D	1	
25	A3CFPP1H02Old	Fly Wheel		D	1	
25	A87RPP1G00	Fly Wheel		D	1	
26	A3CFPP3500	Pulley		C	1	
27	A3CF103400	Bushing		C	2	
28	A3CFPP6701	Harness		D	1	
29	A3CFPP6801	Harness		D	1	
30	A7V7PP1000	Shield Plate		D	1	
31	A87RPP1Y00	Conveyance Frame Assy		D	1	
32	A87RPP1H00	Weight		D	3	
33	A87RPP1J00	Weight		D	1	
34	A87RPP1K00	Screw		C	2	

PAPER TRANSPORT SECTION

改訂版 REVISED EDITION	日付 DATE
	DECEMBER 2016



PAPER TRANSPORT SECTION

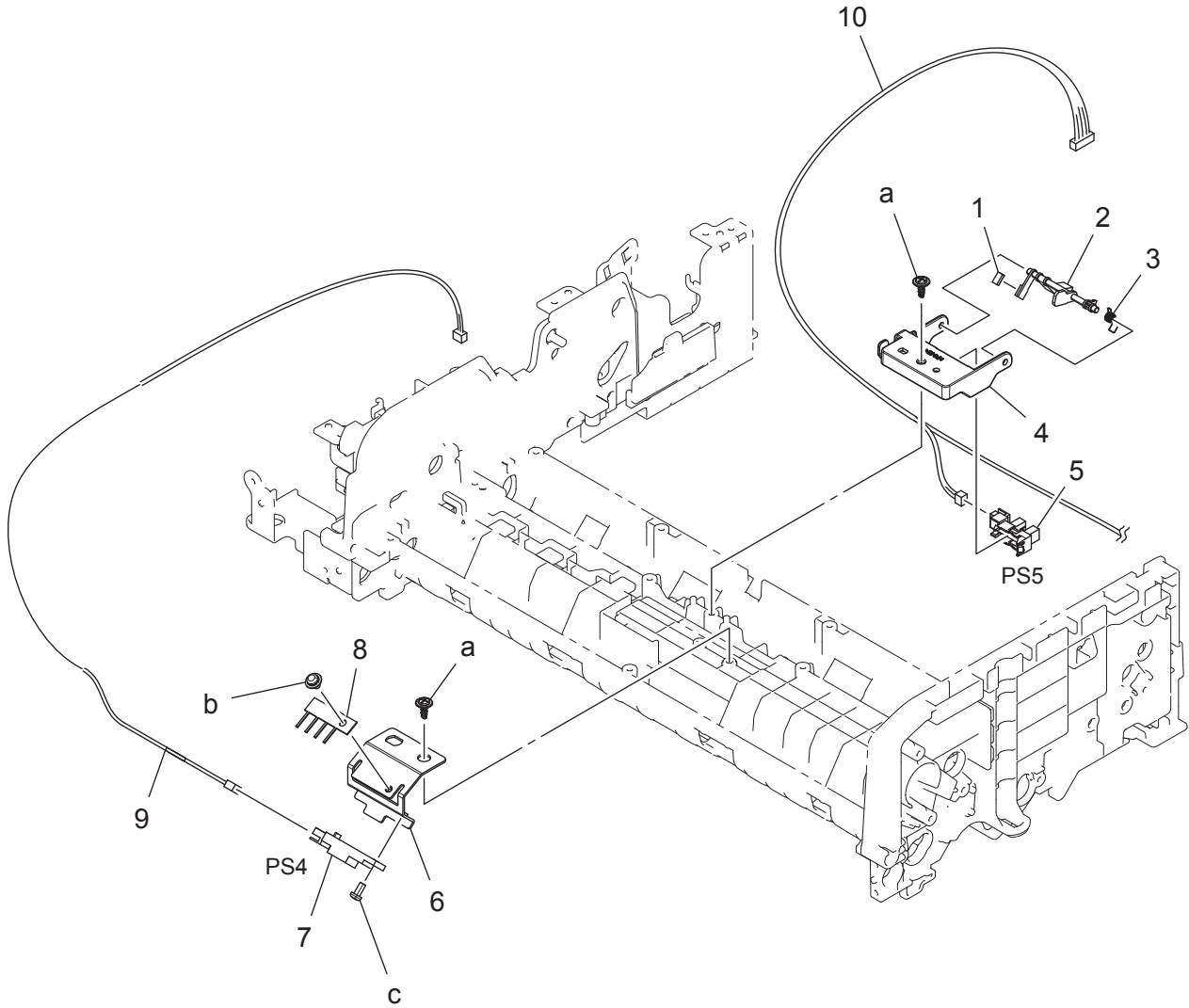


改訂版 REVISED EDITION	日付 DATE
	JANUARY 2017

PAPER TRANSPORT SECTION


Key	Part No.	Description	Destinations	Class	QTY	Standard parts
1	A7V7PP0501	Guide		C	1	a-A143PP7M00
2	A3CFPP6000	Wire Harness Assy		D	1	b-A7V7PP1100
3	A5C1M50100	Photointerrupter		B	2	c-A143PP0P00
4	A3CFPP1K01	Bushing		C	2	d-A87RPP0P00
5	A87RPP0Q01	Shoulder Screw		C	12	e-A3CFPP2V00
6	A87RPP0G01	Holder		D	4	f-A143PP5501
7	A87RPP0N01	Torsion Coil Spring		C	4	g-A87RPP0200
8	A87RPP0J00	Shaft		D	4	h-
9	A87RPP0H00	Roll		C	4	A3CFPP2F00Old
10	A87RPP0M01	Torsion Coil Spring		C	4	h-A87RPP2000
11	A87RPP0000	Torsion Coil Spring		C	1	
12	A87RPP0T00	Guide Plate		D	1	
13	A87RPP1100	Cushion		C	1	
14	A87RPP1U00	Guide Plate		D	1	
15	A87RPP0Y00Old	Torsion Coil Spring		C	1	
15	A87RPP0Y01	Torsion Coil Spring		C	1	
16	A87RPP0S03	Guide		D	1	
17	A87RPP0W00	Guide Film		C	1	
18	A3CFPP1P00	Cushion		C	1	
19	A87RPP0X00	Guide Film		C	1	
20	A87RPP0U00	Guide		D	1	
21	A87RPP0K01	Shaft		D	1	
22	A87RPP1001	Guide Film		C	1	
23	A87RPP0R01	Guide		D	1	
24	A87RPP0101	Guide Film		C	1	
25	A87RPP1500	Lever		C	1	
26	A87RPP1600	Cam		C	1	
27	A143PP3P01	Gear		C	1	
28	A3CFPP3M00	Shaft		D	1	
29	A3CFPP3100	Guide		C	1	
30	A3CFPP3S02	Bracket		D	1	
31	A3CFPP6J00	Motor Assy		C	1	

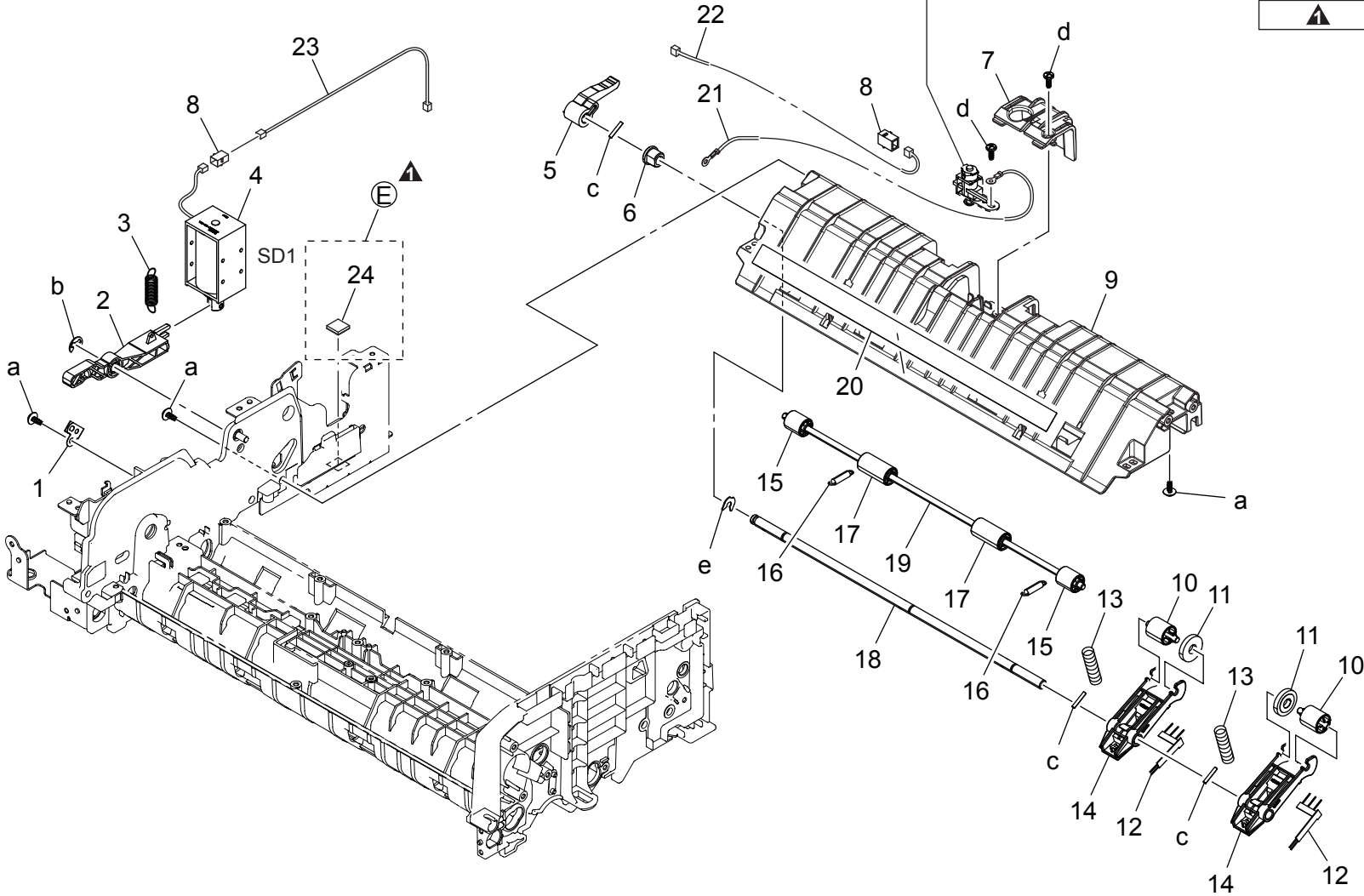
PAPER TRANSPORT SECTION



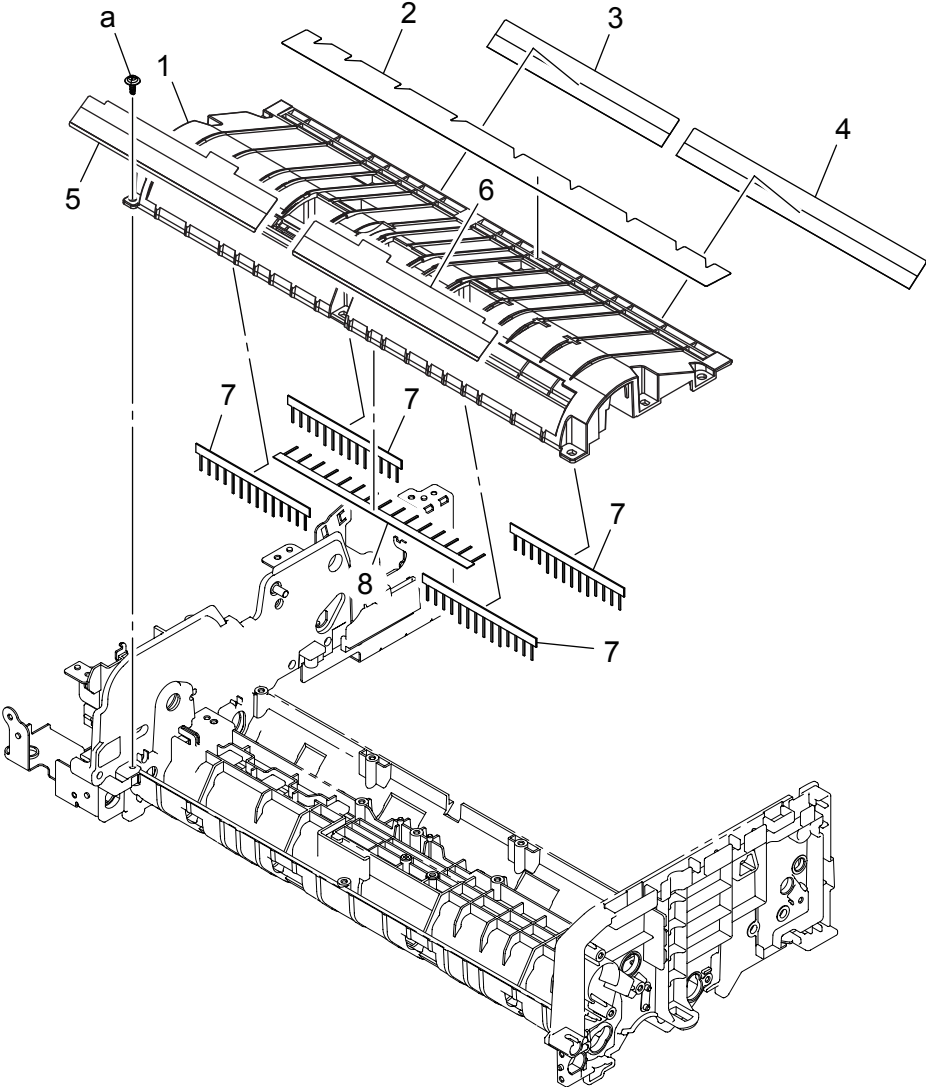
PAPER TRANSPORT SECTION

この部品はSP-501の構成部品です。
This part is a component of SP-501.

改訂版 REVISED EDITION	日付 DATE
	DECEMBER 2016

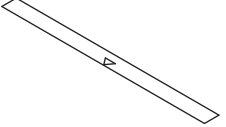


PAPER TRANSPORT SECTION

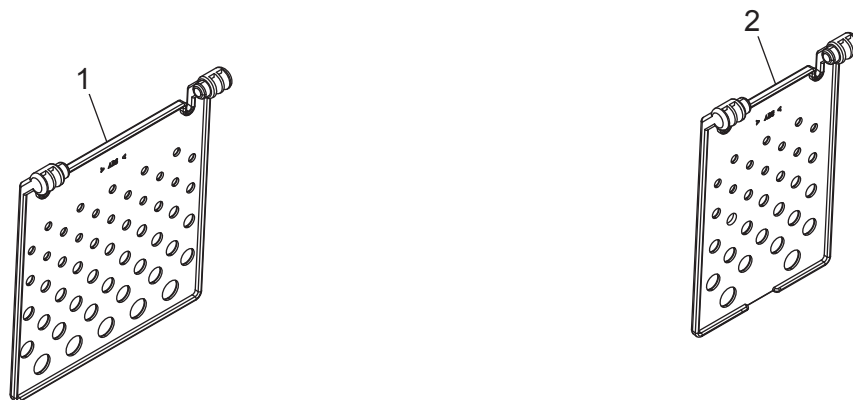


WIRING ACCESSORIES AND JIGS

P 14

1 	6	11	16	21	26	31	36
2	7	12	17	22	27	32	37
3	8	13	18	23	28	33	38
4	9	14	19	24	29	34	39
5	10	15	20	25	30	35	40

ACCESSORY PARTS



ACCESSORY PARTS

Key	Part No.	Description	Destinations	Class	QTY	Standard parts
1	A3CF113900	Hinge Cover Left		C	1	
2	A3CF116400	Hinge Cover Right		C	1	
3	A143114600	Screw		C	2	
4	A3CF116100	Screw_two step		C	2	

MAINTENANCE LIST

● The items with no Page/Key numbers are not handled as spare parts.

No.	Section	PM Parts Description	Maintenance Cycle (K=1,000)		Parts No.	Destinations	Page/Key	Note
			QTY	Replace				
1	Paper Take-up Section	Pick-up roller	2	200K	A143PP5200		P6-13	*1*2
2		Feed roller	1	200K	A00J563600		P6-24	*1*2
3		Separation roller assy	1	200K	A3CFPP4H00		P7-2	*1*2

*1: Actual durable cycle (life counter value)

*2: Replace those three parts at the same time.

メンテナンスリスト

● ページ / キーナンバーのないものは、アフターサービス部品ではありません。

No.	区分	PM 部品名称	サイクル (K=1,000)		部品番号	仕向地	頁 / キー	備考
			員数	交換				
1	給紙部	ピックアップローラー	2	200K	A143PP5200		P6-13	*1*2
2		給紙ローラー	1	200K	A00J563600		P6-24	*1*2
3		分離ローラー Assy	1	200K	A3CFPP4H00		P7-2	*1*2

*1: 実質交換サイクル値 (ライフカウンター値)

*2: 3点同時交換すること。

DESTINATION

Destination No.		Destinations		V	Hz	Model No.
A	A1	JAPAN		100	50/60	A87RWY1
	A2	JAPAN		200	50/60	
B		USA, CANADA		120	60	A87RWY1
C		EUROPEAN TYPE		220-240	50/60	A87RWY1
D	D1	S.E ASIA TYPE	THAILAND, SRI LANKA, SINGAPORE, MALAYSIA, HONG KONG, PAKISTAN, INDIA, BANGLADESH, INDONESIA	220-240	50/60	A87RWY1
	D3	OCEANIA TYPE	AUSTRALIA, NEW ZEALAND	220-240	50/60	A87RWY1
E		PHILIPPINES		220-240	50/60	A87RWY1
F	F1	SAUDI ARABIA		127	60	
	F2	SAUDI ARABIA		220-240	50/60	A87RWY1
G	G1	C.S AMERICA		220-240	50/60	A87RWY1
	G2	C.S AMERICA		120	60	A87RWY1
H		TAIWAN		110	60	A87RWY1
I		JORDAN, LEBANON, SYRIA, SOUTH AFRICA, IRAQ, IRAN, N.YEMEN, CAMEROON, UAE, BAHRAIN, OMAN, QATAR, KUWAIT, KENYA, TUNISIA, IVORY COAST, MOROCCO		220-240	50/60	A87RWY1
J		CHINA		220-240	50/60	A87RWY1
K		KOREA		220-240	50/60	A87RWY1