

KONICA MINOLTA

PARTS GUIDE MANUAL

JUNE 2017

DF-704
A85G

INFORMATION FOR PARTS GUIDE MANUAL

To find correct Parts No., refer to the "HOW TO MAKE THE BEST USE OF THIS MANUAL" in the following page.

HOW TO MAKE THE BEST USE OF THIS MANUAL

- 1 When you order, please check the proper figures beforehand that are on Our Parts Guide Manual, and order with the appropriate figures.
- 2 For screws, Nuts, Washers, retaining rings and Pins which are used in this model, one letter is shown on the Standard parts column of Parts list and exploded diagrams.
- 3 In order to maintain safety of the product, some specific parts composed of this product are set up as "essential safety parts".
- 4 The assigned parts number for the "essential safety parts" is indicated as "SP00-****".
When replacing these parts, follow precautions for disassembling and installing which are listed in the Service Manual.
Do not use any parts that are not set up as
- 5 ♣ means that there are exclusive parts for each destination.
Please check the appropriate destination when you order.
- 6 Revision Mark
Marked as ▲ on the illustration shows that the revision has been made.
- 7 All rights reserved. (any reprints or quotations are prohibited.)
Use of this parts guide manual should be strictly supervised to avoid disclosure of confidential information.

パーツガイドマニュアルのご案内

サービス部品をご発注の際には、下記に示す“パーツガイドマニュアルの活用にあたって”をご参照の上、正しい部品番号にてお願い致します。

パーツガイドマニュアルの活用にあたって

- 1 部品発注の際には、掲載されている部品番号の桁数を確認し、掲載されている桁数で発注願います。
- 2 この製品に使用されているネジ、ナット、ワッシャー、止め輪、ピンなどは、リストの右側の Standard parts 欄に a,b,c,…… で表示し、イラストにも a,b,c,…… 表示してあります。
- 3 製品の安全性を維持する為に、製品に使用される特定の部品を「重要保安部品」として設定しています。
- 4 重要保安部品の部品番号は、“SP00-****”と記載されていますので、部品交換時は、サービスマニュアル記載の分解・組み立ての注意事項に従って作業をして下さい。
また、指定以外の部品は一切使用しないで下さい。
- 5 本文に ♣ が表示されている部品は、仕向け地毎に専用部品がある事を意味しています。
オーダーされる時は、仕向け地を確認して下さい。
- 6 改訂記号について
イラスト上に ▲ 印が表示されている部分は、改訂された事を表します。
- 7 著作権所有（無断転載及び無断引用の禁止）
本パーツガイドマニュアルについては、機密保持等その扱いには十分注意して下さい。万一取り扱いを誤った場合には、法律で処罰されることがあります。

CONTENTS

No.	DESCRIPTION	名称	PAGE No.
1	EXTERNAL PARTS	外装部	P1 P2
2	PAPER FEED TRAY SECTION	給紙トレイ部	P3
3	PAPER TAKE-UP SECTION	給紙部	P4 P5 P6
4	PAPER TRANSPORT SECTION	搬送部	P7 P8 P9 P10 P11 P12
5	CIS SECTION	C I S 部	P13 P14 P15 P16
6	WIRING ACCESSORIES AND JIGS	配線部品・治具	P17
7	ACCESSORY PARTS	同梱部品	P18

INDEX

Parts No.	Page No.
9J06PJG100	17-1
A00J563600	6-24
A108M50000	3-5
A143114600	18-4
A143563100	6-24
A143563300	6-28
A143PP0200	1-2
A143PP1B00	5-4
A143PP1M00	8-16
A143PP1M00	9-6
A143PP1M00	12-2
A143PP1S00	15-16
A143PP1X00	7-10
A143PP1X00	8-13
A143PP1Y00	11-4
A143PP2901	2-6
A143PP3P01	10-27
A143PP4D02	9-9
A143PP4D02	12-3
A143PP4H01	12-11
A143PP4P01	7-7
A143PP4Y00	6-17
A143PP5000	6-15
A143PP5101	6-16
A143PP5200	6-13
A143PP5301	6-12
A143PP5601	6-22
A143PP5901	6-19
A143PP5A00	6-27
A143PP5B01	6-21
A143PP5F01	4-2
A143PP5J01	5-11
A143PP5K01	5-12
A143PP5M01	5-13
A143PP5R04	4-3
A143PP5T03	6-8
A143PP5U03	6-11
A143PP5V00	4-4
A143PP5Y01	6-14
A143PP6601	6-23

Parts No.	Page No.
A143PP6800	5-7
A143PP6800	11-14
A143PP6900	5-3
A143PP6F01	3-13
A143PP6K01	3-12
A143PP6M01	3-11
A143PP6X00	3-10
A143PP7301	5-18
A143PP8600	16-10
A143PP8D01	16-17
A143PP8F00	1-13
A143PP8F00	16-19
A143PP9300	8-5
A143PP9G00	6-9
A3CE213300	9-4
A3CEPP1204	12-7
A3CEPP1300	11-1
A3CEPP1400	9-12
A3CEPP1500	8-14
A3CEPP1701	16-9
A3CEPP1802	1-12
A3CEPP1900	1-7
A3CEPP1A00	16-20
A3CEPP1B03	2-4
A3CEPP1C00	14-20
A3CEPP1E02	16-15
A3CEPP1F00	9-11
A3CEPP1G01	8-11
A3CEPP1H01	13-9
A3CEPP1J00	13-12
A3CEPP1M02	1-10
A3CEPP1N00	15-13
A3CEPP1Q00	14-13
A3CEPP1S02	9-18
A3CEPP1S03	9-18
A3CEPP1T01	16-14
A3CEPP1U00	16-12
A3CEPP1V01	16-21
A3CEPP1X01	16-16
A3CEPP1Y00	16-11

Parts No.	Page No.
A3CEPP2000	11-10
A3CEPP2302	1-9
A3CEPP2403	16-18
A3CEPP2601	16-13
A3CEPP2700	15-3
A3CEPP2800	15-2
A3CEPP2E00	9-15
A3CEPP2F01	8-19
A3CEPP2G01	9-2
A3CEPP2H01	8-3
A3CEPP2J01	8-21
A3CEPP2K00	8-17
A3CEPP2M00	9-7
A3CEPP2Q00	8-18
A3CEPP2R00	9-3
A3CEPP2S00	8-20
A3CEPP2T01	10-30
A3CEPP2U00	16-23
A3CEPP2V00	16-2
A3CEPP2X01	15-10
A3CEPP2Y00	15-17
A3CEPP3000	16-7
A3CEPP3101	16-24
A3CEPP3200	16-22
A3CEPP3301	12-20
A3CEPP3301	15-9
A3CEPP3401	15-5
A3CEPP3501	15-6
A3CEPP3600	15-4
A3CEPP3702	14-2
A3CEPP3800	14-1
A3CEPP3900	15-11
A3CEPP3A00	14-5
A3CEPP3B00	14-3
A3CEPP3C00	14-12
A3CEPP3D01	14-6
A3CEPP3E01	11-5
A3CEPP3F00	14-7
A3CEPP3G00	14-19
A3CEPP3H01	15-12

Parts No.	Page No.
A3CEPP3J01	15-15
A3CEPP3K00	15-14
A3CEPP3L00	14-9
A3CEPP3M00	14-17
A3CEPP3N01	14-8
A3CEPP3P00	14-15
A3CEPP3Q00	14-10
A3CEPP3R00	14-16
A3CEPP3S00	14-18
A3CEPP3T00	13-8
A3CEPP3X00	14-11
A3CEPP4201	15-8
A3CEPP4301	15-1
A3CEPP4407	7-5
A3CEPP4701	7-11
A3CEPP4800	3-9
A3CEPP4A01	16-1
A3CEPP4B00	8-23
A3CEPP4C00	9-1
A3CEPP4E00	3-14
A3CEPP4F00	11-16
A3CEPP4G00	10-2
A3CEPP4H00	11-15
A3CEPP4K00	12-23
A3CEPP4L00	9-19
A3CEPP4M01	16-6
A3CEPP4N00	8-24
A3CEPP4P00	8-25
A3CEPP4R00	16-4
A3CEPP4S00	16-5
A3CEPP4V00	13-14
A3CEPP4X00	12-24
A3CEPP4Y00	13-11
A3CEPP5000	12-18
A3CEPP5100	14-14
A3CEPP5400	7-8
A3CEPP5500	7-9
A3CEPP5700	10-31
A3CEPP5A00	14-21
A3CEPP5B00	1-14

Parts No.	Page No.
A3CEPP5C00	15-18
A3CEPP6R00	13-1
A3CEPP7100	11-2
A3CF103400	8-12
A3CF103400	9-17
A3CF103400	12-16
A3CF113900	18-1
A3CF116100	18-5
A3CF116400	18-2
A3CFPP1600	4-8
A3CFPP1700	6-7
A3CFPP1E01	9-10
A3CFPP1E02	9-10
A3CFPP1G00	12-6
A3CFPP1J01	9-16
A3CFPP1K01	10-4
A3CFPP1N03	7-12
A3CFPP1P00	10-18
A3CFPP2704	1-4
A3CFPP2A01	2-2
A3CFPP2B00	11-7
A3CFPP2C00	8-2
A3CFPP2E00	8-15
A3CFPP2E00	9-8
A3CFPP2E00	12-5
A3CFPP2R00	2-3
A3CFPP2S00	13-4
A3CFPP3500	9-14
A3CFPP3800	9-13
A3CFPP3900	8-10
A3CFPP3C00	8-9
A3CFPP3D01	8-6
A3CFPP3J01	9-5
A3CFPP3J01	12-1
A3CFPP3M00	10-28
A3CFPP3P01	8-7
A3CFPP3R00	8-4
A3CFPP4202	12-19
A3CFPP4301	12-17
A3CFPP4400	12-4

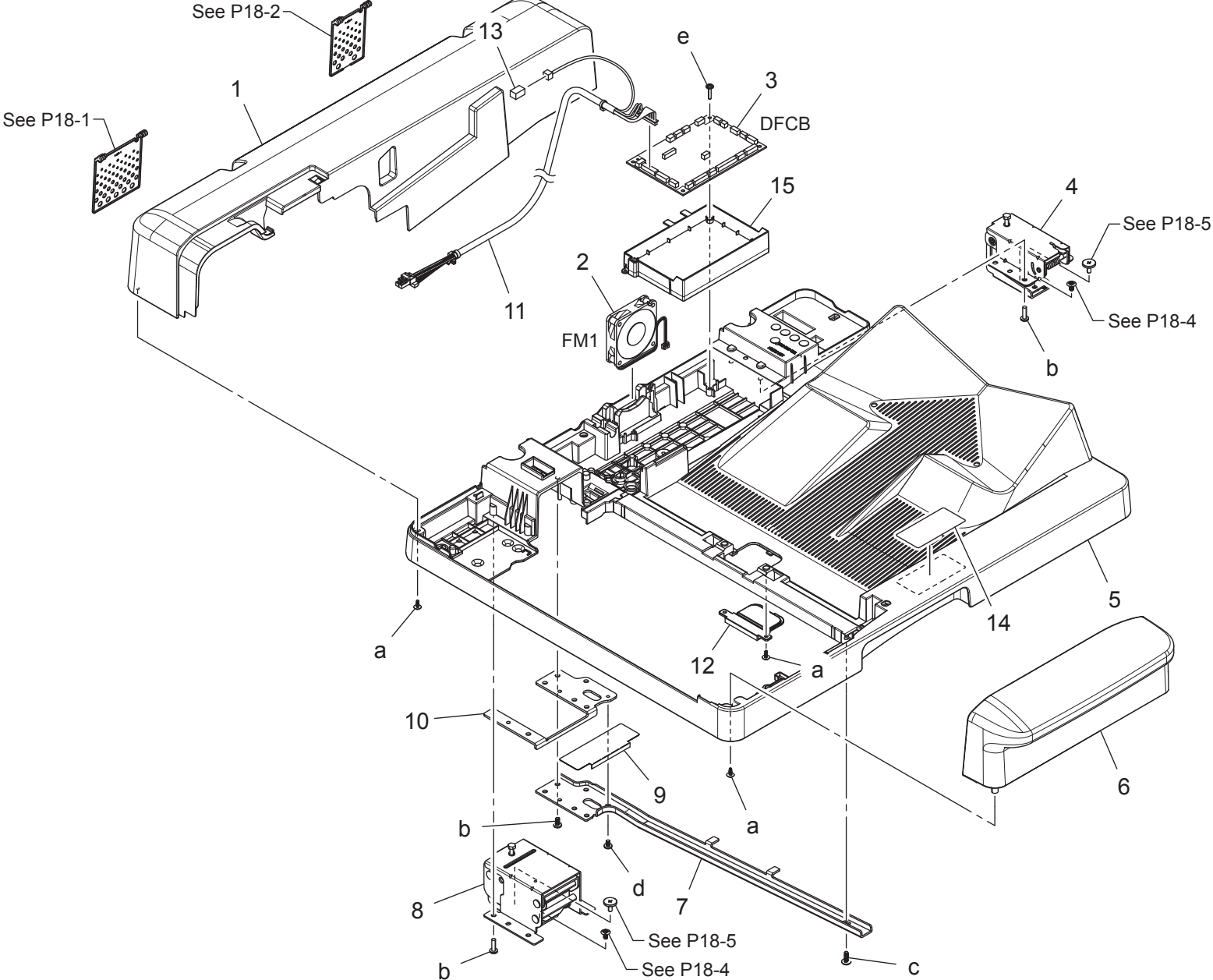
Parts No.	Page No.
A3CFPP4500	12-22
A3CFPP4500	15-7
A3CFPP4600	12-21
A3CFPP4700	12-13
A3CFPP4800	12-10
A3CFPP4900	12-12
A3CFPP4A00	12-15
A3CFPP4C00	12-14
A3CFPP4C00	16-8
A3CFPP4F00	12-8
A3CFPP4G00	7-1
A3CFPP4H00	7-3
A3CFPP4L00	7-4
A3CFPP4N00	7-2
A3CFPP4T01	5-14
A3CFPP4T01	14-4
A3CFPP4U01	5-15
A3CFPP4V00	6-6
A3CFPP5200	5-8
A3CFPP5300	6-10
A3CFPP5400	5-16
A3CFPP5B02	3-2
A3CFPP5C01	3-6
A3CFPP5F03	3-3
A3CFPP5G03	3-1
A3CFPP5H01	3-7
A3CFPP5J01	3-8
A3CFPP5K01	5-1
A3CFPP5L00	5-5
A3CFPP5N01	4-11
A3CFPP5R00	12-9
A3CFPP5S00	8-1
A3CFPP6B00	2-1
A3CFPP6C00	5-17
A3CFPP6L00	7-14
A3CFPP6T00	16-25
A3CFPP6U00	4-10
A3CFPP7000	6-1
A4MG130900	18-6
A5C1M50100	3-4

Parts No.	Page No.
A5C1M50100	5-2
A5C1M50100	10-3
A5C1M50100	11-3
A5C1M50100	16-3
A782945000	18-7
A7PUH02A01	18-3
A7V7PP0300	1-15
A7V7PP1201	2-5
A7V7PP2200	6-25
A7V7PP2300	6-18
A7V7PP2400	6-3
A7V7PP2800	6-30
A85GM70001	13-6
A85GN11701	13-5
A85GPP0000	1-11
A85GPP0100	5-19
A85GPP0200	13-15
A85GPP0300	4-1
A85GPP0401	1-5
A85GPP0500	10-29
A85GPP0601	10-1
A85GPP0700	1-6
A85GPP0800	1-1
A85GPP0901	4-9
A85GPP0A01	10-23
A85GPP0B01	13-7
A85GPP0C01	13-2
A85GPP0E01	13-13
A85GPP0F01	13-10
A85GPP0G00	11-8
A85GPP0H00	11-9
A85GPP0J00	11-11
A85GPP0K00	14-22
A85GPP0M00	1-3
A85GPP0N01	4-12
A85GPP0Q00	15-8
A85GPP0R00	8-22
A85GPP0S00	8-19
A85GPP0T00	13-3
A85GPP0U00	7-6

Parts No.	Page No.
A85GPP0V00	7-13
A85GPP0W01	11-6
A85GPP0X00	8-8
A85GPP0Y00	1-8
A85GPP1000	8-26
A85GPP1400	15-19
A87RPP0000	10-11
A87RPP0101	10-24
A87RPP0300	6-25
A87RPP0400	6-18
A87RPP0500	6-5
A87RPP0600	6-4
A87RPP0A01	5-9
A87RPP0B00	4-7
A87RPP0B00	5-6
A87RPP0C00	5-10
A87RPP0D01	4-5
A87RPP0E01	4-6
A87RPP0F00	6-2
A87RPP0G01	10-6
A87RPP0H00	10-9
A87RPP0J00	10-8
A87RPP0K01	10-21
A87RPP0M01	10-10
A87RPP0N01	10-7
A87RPP0Q01	10-5
A87RPP0S03	10-16
A87RPP0T00	10-12
A87RPP0U00	10-20
A87RPP0V00	10-14
A87RPP0W00	10-17
A87RPP0X00	10-19
A87RPP0Y00	10-15
A87RPP0Y01	10-15
A87RPP1001	10-22
A87RPP1100	10-13
A87RPP1200	11-13
A87RPP1400	11-12
A87RPP1500	10-25
A87RPP1600	10-26

Parts No.	Page No.
A87RPP1C00	6-20
A87RPP1D00	6-29
A87RPP1Q00	6-31
A87RPP1R00	6-32
A87RPP1U00	10-14


EXTERNAL PARTS

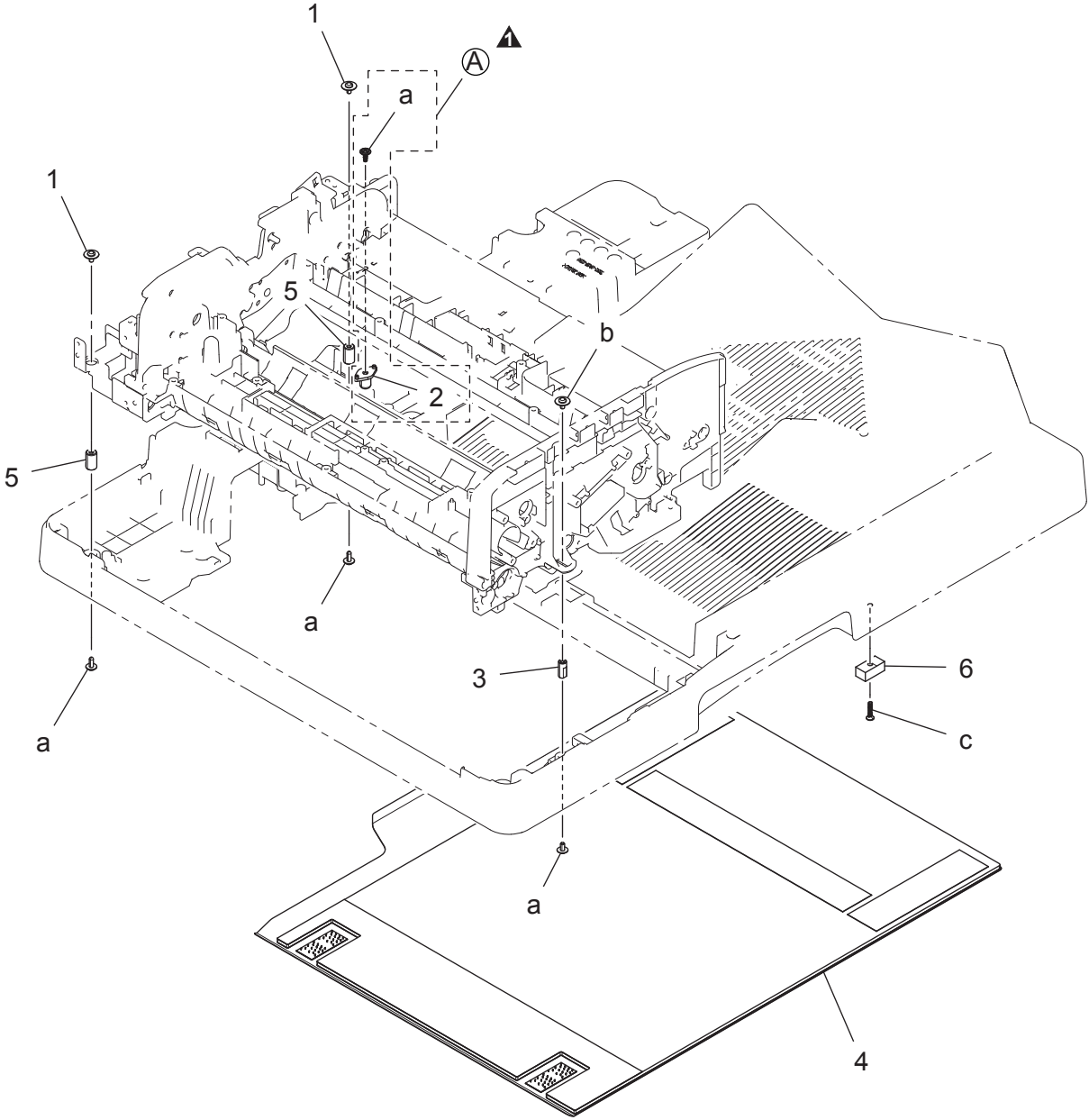


EXTERNAL PARTS

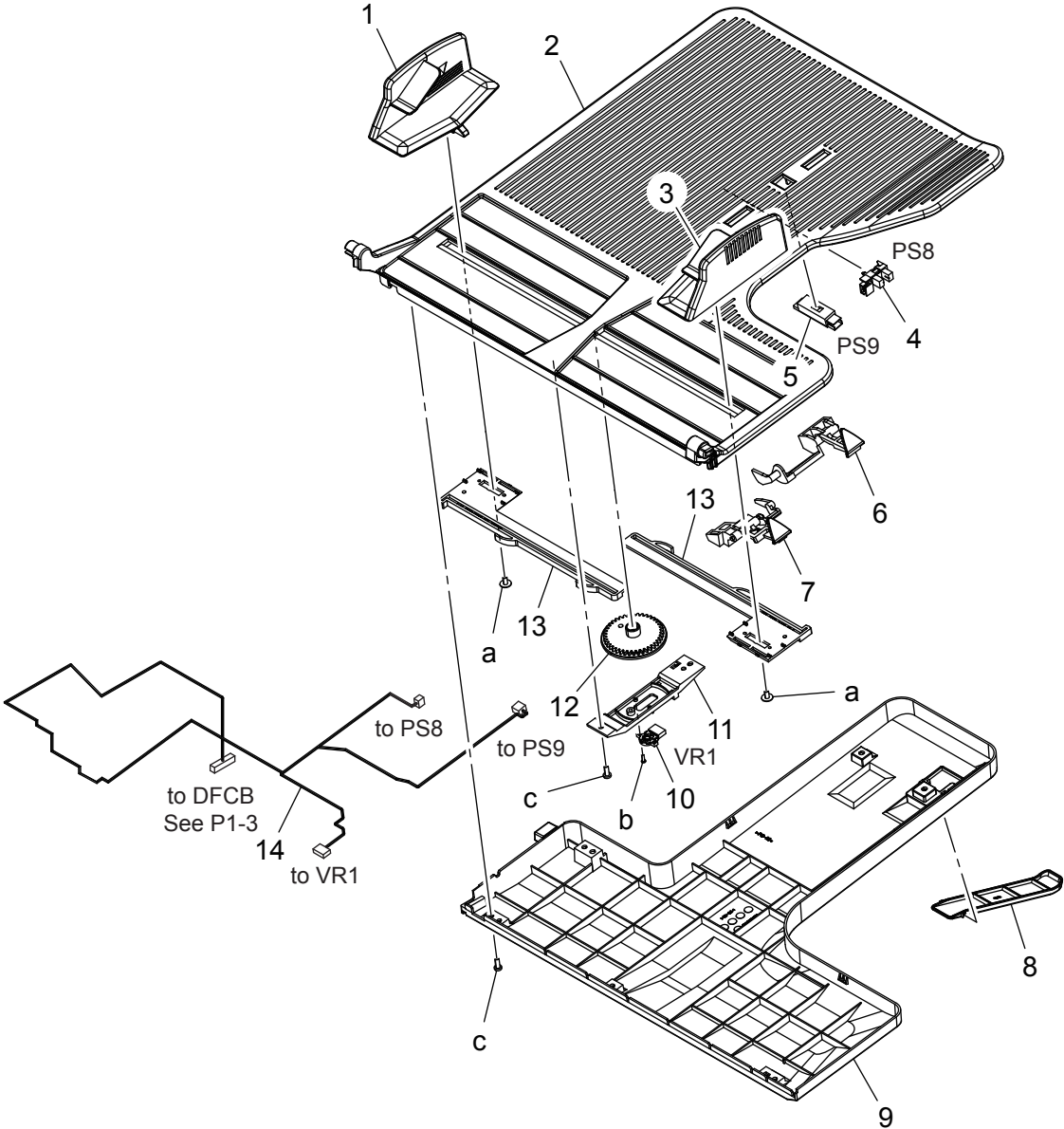
Key	Part No.	Description	Destinations	Class	QTY	Standard parts
1	A85GPP0800	Cover/ Rear		C	1	a-A3CFPP2G00 b-A87RPP1A00 c-A143PP8E01 d-A3CFPP7300 e-A7V7PP1900
2	A143PP0200	Fan Motor		C	1	
3	A85GPP0M00	PWB Assembly		I	1	
4	A3CFPP2704	Hinge-R		C	1	
5	A85GPP0401	Frame		D	1	
6	A85GPP0700	Cover/ Front		C	1	
7	A3CEPP1900	Reinforce Plate		D	1	
8	A85GPP0Y00	Hinge-L		C	1	
9	A3CEPP2302	Film		C	1	
10	A3CEPP1M02	Cover		C	1	
11	A85GPP0000	Harness		D	1	
12	A3CEPP1802	Cover		C	1	
13	A143PP8F00	Wire Harness Assy		D	1	
14	A3CEPP5B00	Label		C	1	
15	A7V7PP0300	Holder		D	1	

EXTERNAL PARTS

改訂版 REVISED EDITION	日付 DATE
	DECEMBER 2016



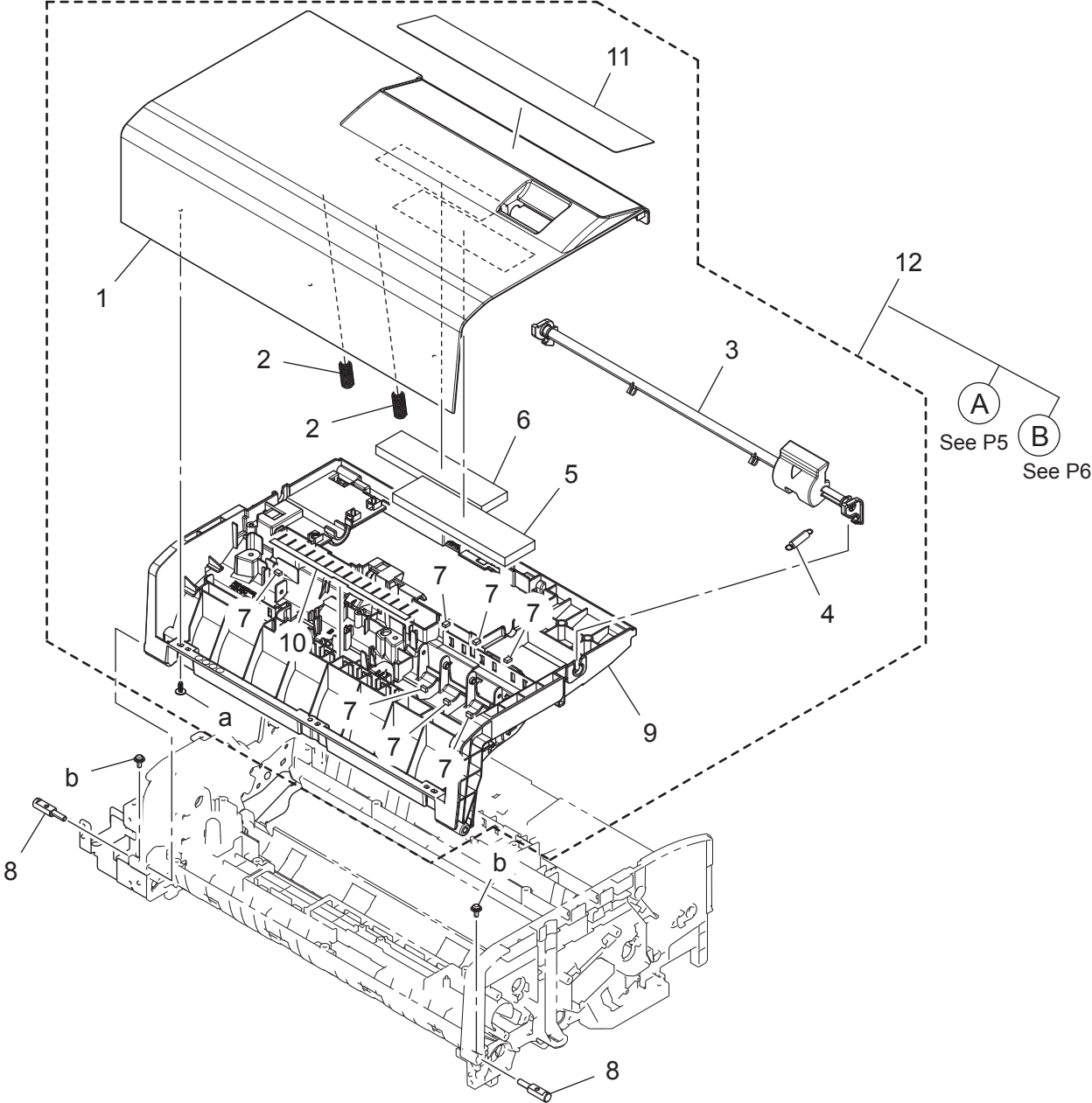
PAPER FEED TRAY SECTION



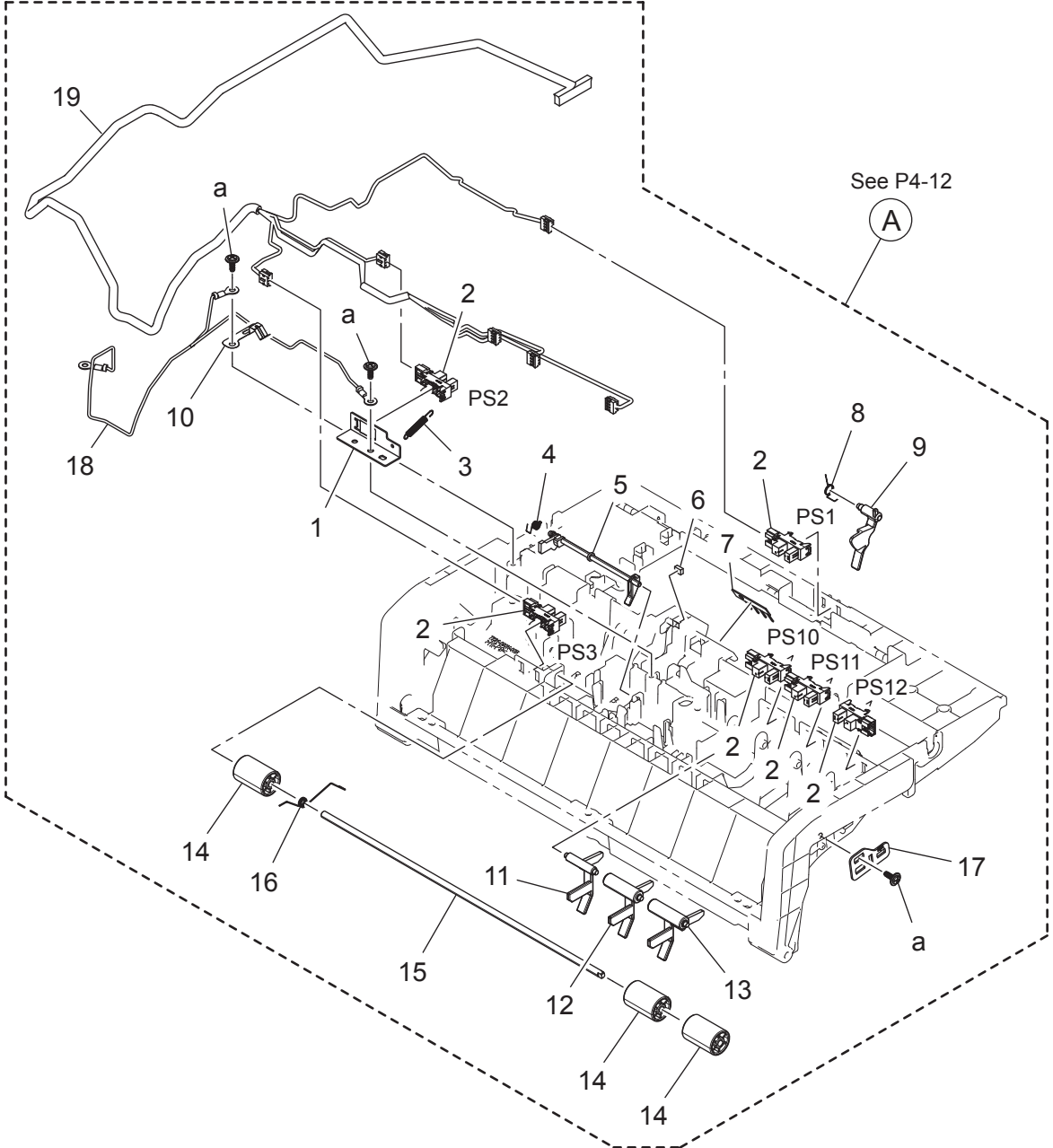
PAPER FEED TRAY SECTION

Key	Part No.	Description	Destinations	Class	QTY	Standard parts
1	A3CFPP5G03	Regulating Plate		C	1	a-A7V7PP1600 b-A143PP0M00 c-A7V7PP1800
2	A3CFPP5B02	Cover		C	1	
3	A3CFPP5F03	Regulating Plate		C	1	
4	A5C1M50100	Photointerrupter		B	1	
5	A108M50000	Photoreflector		B	1	
6	A3CFPP5C01	Lever		C	1	
7	A3CFPP5H01	Lever		C	1	
8	A3CFPP5J01	Lever		C	1	
9	A3CEPP4800	Tray		C	1	
10	A143PP6X00	PW Board Assy		C	1	
11	A143PP6M01	Holder		D	1	
12	A143PP6K01	Gear 40T		C	1	
13	A143PP6F01	Rack		C	2	
14	A3CEPP4E00	Wire Harness Assy		D	1	

PAPER TAKE-UP SECTION

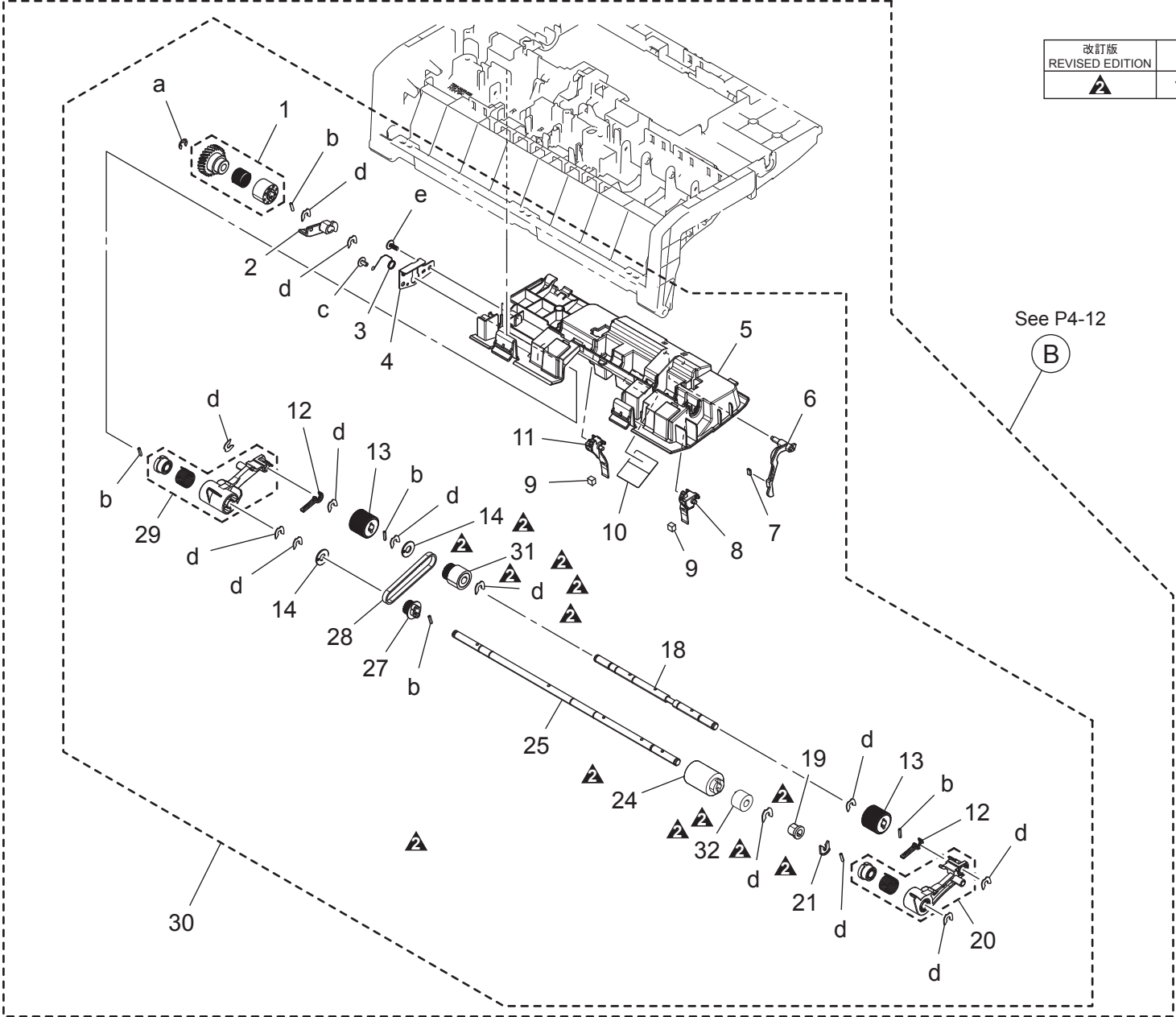


PAPER TAKE-UP SECTION



PAPER TAKE-UP SECTION

改訂版 REVISED EDITION	日付 DATE
	JANUARY 2016

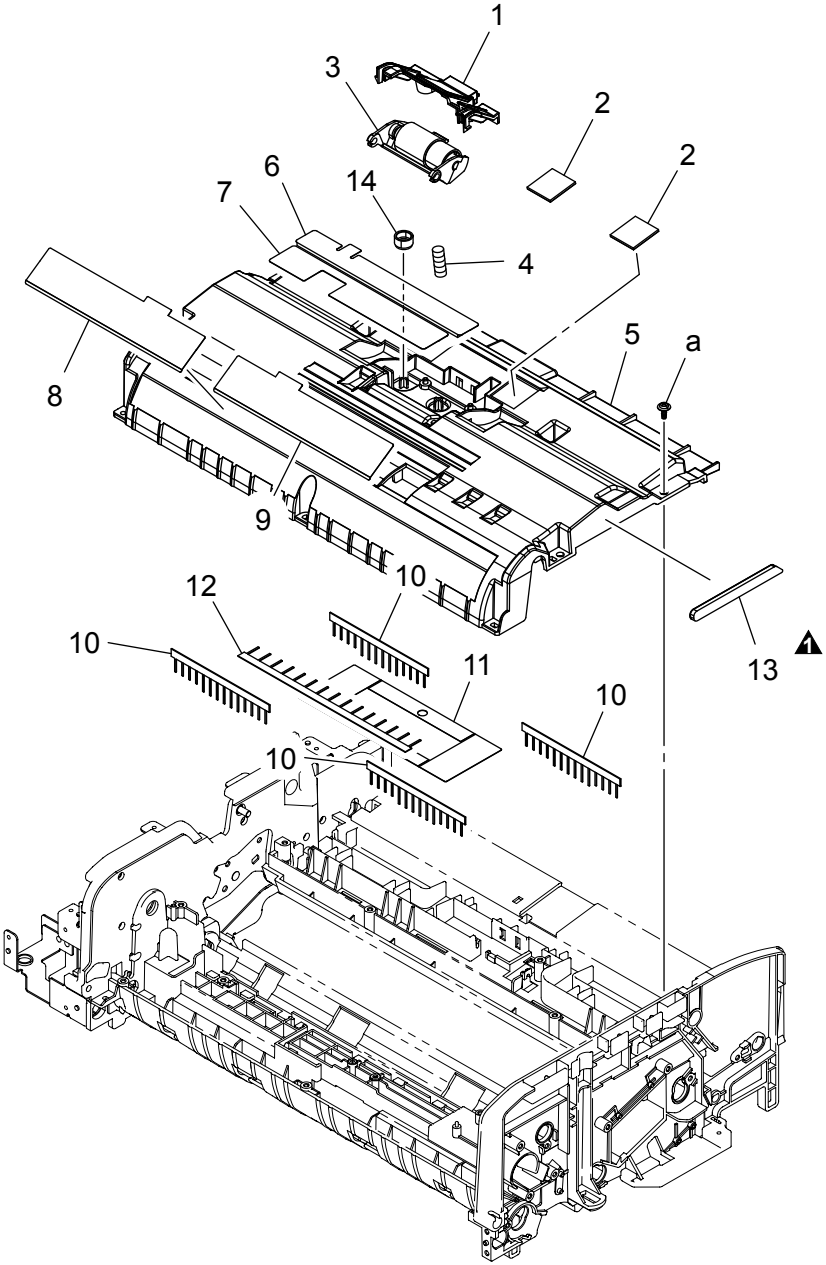


PAPER TAKE-UP SECTION

Key	Part No.	Description	Destinations	Class	QTY	Standard parts
1	A3CFPP7000	Gear Assy		C	1	a-A7V7PP1700 b-A143PP4S00 c-A143PP7M00 d-A143PP5501 e-A3CFPP2G00
2	A87RPP0F00	Lever		C	1	
3	A7V7PP2400	Torsion Spring		C	1	
4	A87RPP0600	Mounting Plate		D	1	
5	A87RPP0500	Guide		D	1	
6	A3CFPP4V00	Lever		C	1	
7	A3CFPP1700	Magnet		D	1	
8	A143PP5T03	Stopper		C	1	
9	A143PP9G00	Damper		C	2	
10	A3CFPP5300	Film		C	1	
11	A143PP5U03	Stopper		C	1	
12	A143PP5301	Stopper		C	2	
13	A143PP5200	Roller		A	2	
14	A143PP5Y01	Flange		D	2	
15	A143PP5000	Pulley 21T		C	1	
16	A143PP5101	Coupling		C	1	
17	A143PP4Y00	Holder		C	1	
18	A87RPP0400Old	Shaft		D	1	
18	A7V7PP2300	Shaft		D	1	
19	A143PP5901	Bushing		C	1	
20	A87RPP1C00	Lever Assy/ Front		C	1	
21	A143PP5B01	Stop Ring		C	1	
22	A143PP5601	Coupling		C	1	
23	A143PP6601	Coupling		C	1	
24	A143563100Old	Roller		A	1	
24	A00J563600	Roller		A	1	
25	A87RPP0300Old	Shaft		D	1	
25	A7V7PP2200	Shaft		D	1	
27	A143PP5A00	Pulley 19T		C	1	
28	A143563300	TIMING BELT 134L		C	1	
29	A87RPP1D00	Lever Assy/ Rear		C	1	
30	A7V7PP2800	Paper Feed Assy		D	1	
31	A87RPP1Q00	PULLEY 21T		C	1	
32	A87RPP1R00	Clutch		C	1	

PAPER TRANSPORT SECTION

改訂版 REVISED EDITION	日付 DATE
▲	SEPTEMBER 2016

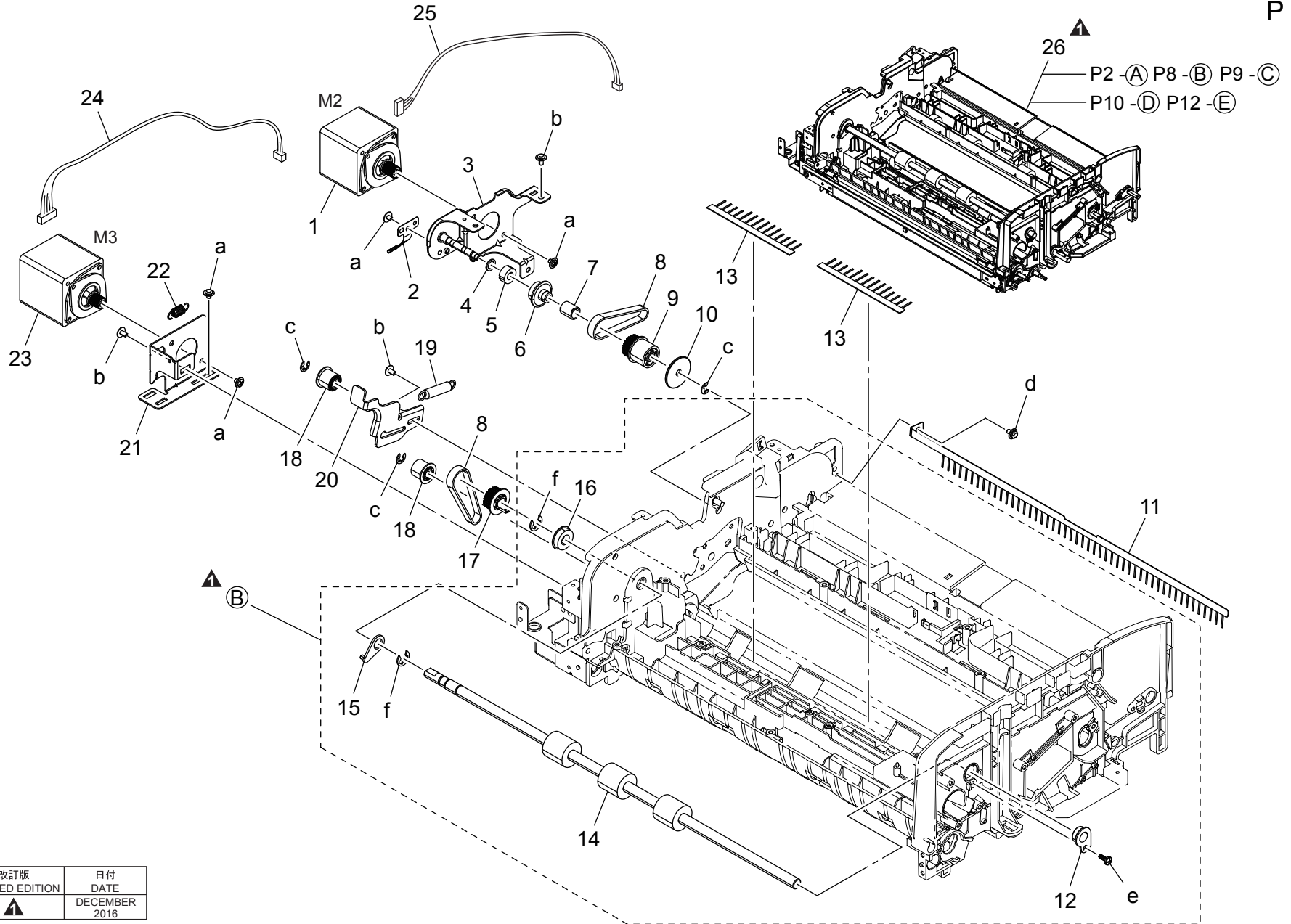


PAPER TRANSPORT SECTION

Key	Part No.	Description	Destinations	Class	QTY	Standard parts
1	A3CFPP4G00	Cover Assy		C	1	a-A3CFPP6K00
2	A3CFPP4N00	Pad		C	2	
3	A3CFPP4H00	Roller Assy		A	1	
4	A3CFPP4L00	Pressure Spring		C	1	
5	A3CEPP4407	Guide		C	1	
6	A85GPP0U00	Film		C	1	
7	A143PP4P01	Film		C	1	
8	A3CEPP5400	Film		C	1	
9	A3CEPP5500	Film		C	1	
10	A143PP1X00	NEUTRALIZING BRUSH		C	4	
11	A3CEPP4701	Film		C	1	
12	A3CFPP1N03	Neutralizing Brush		C	1	
13	A85GPP0V00	Sponge		D	1	
14	A3CFPP6L00	Spacer		C	1	

PAPER TRANSPORT SECTION

P 8




改訂版 REVISED EDITION	日付 DATE
▲	DECEMBER 2016

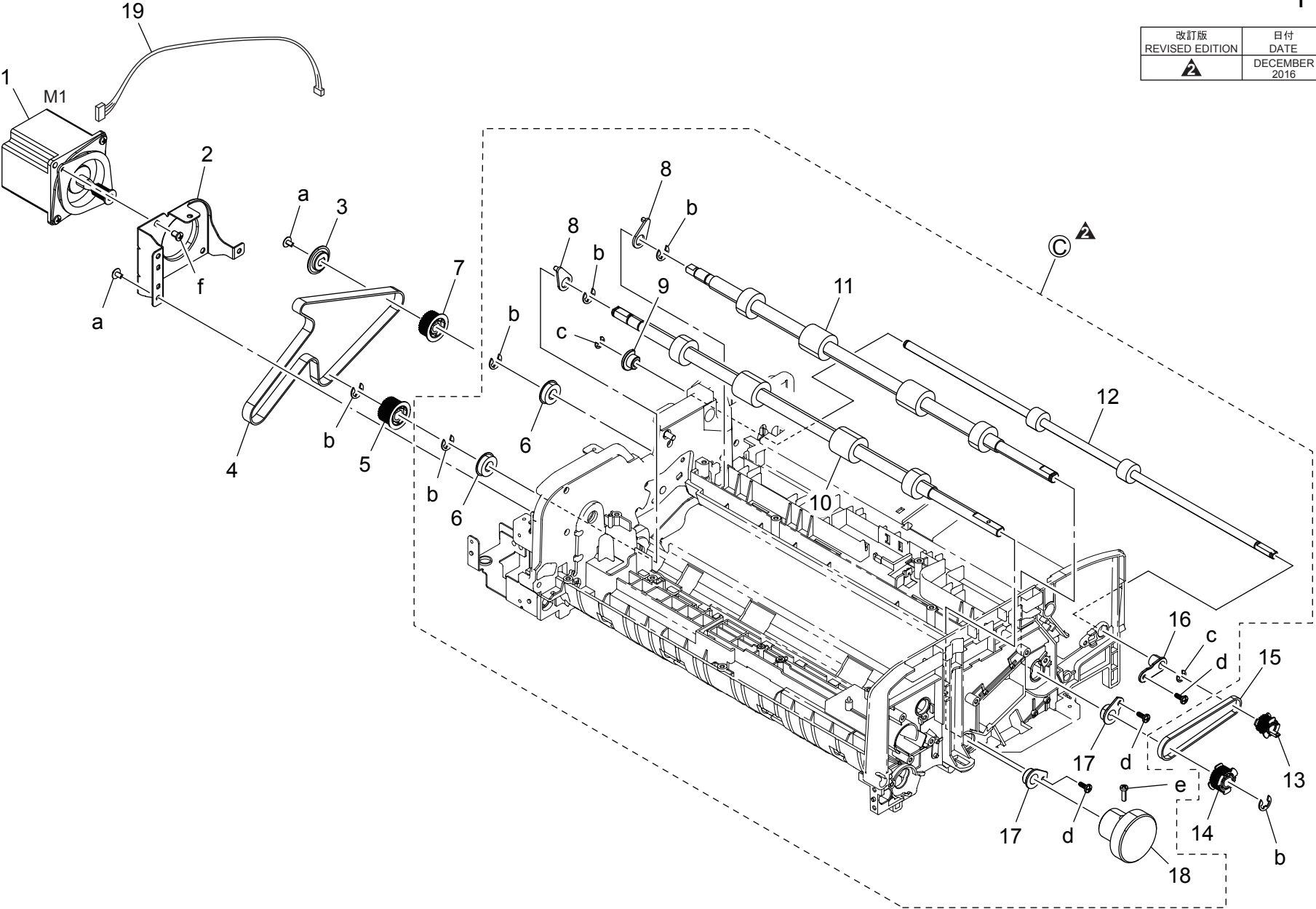
DF-704

PAPER TRANSPORT SECTION

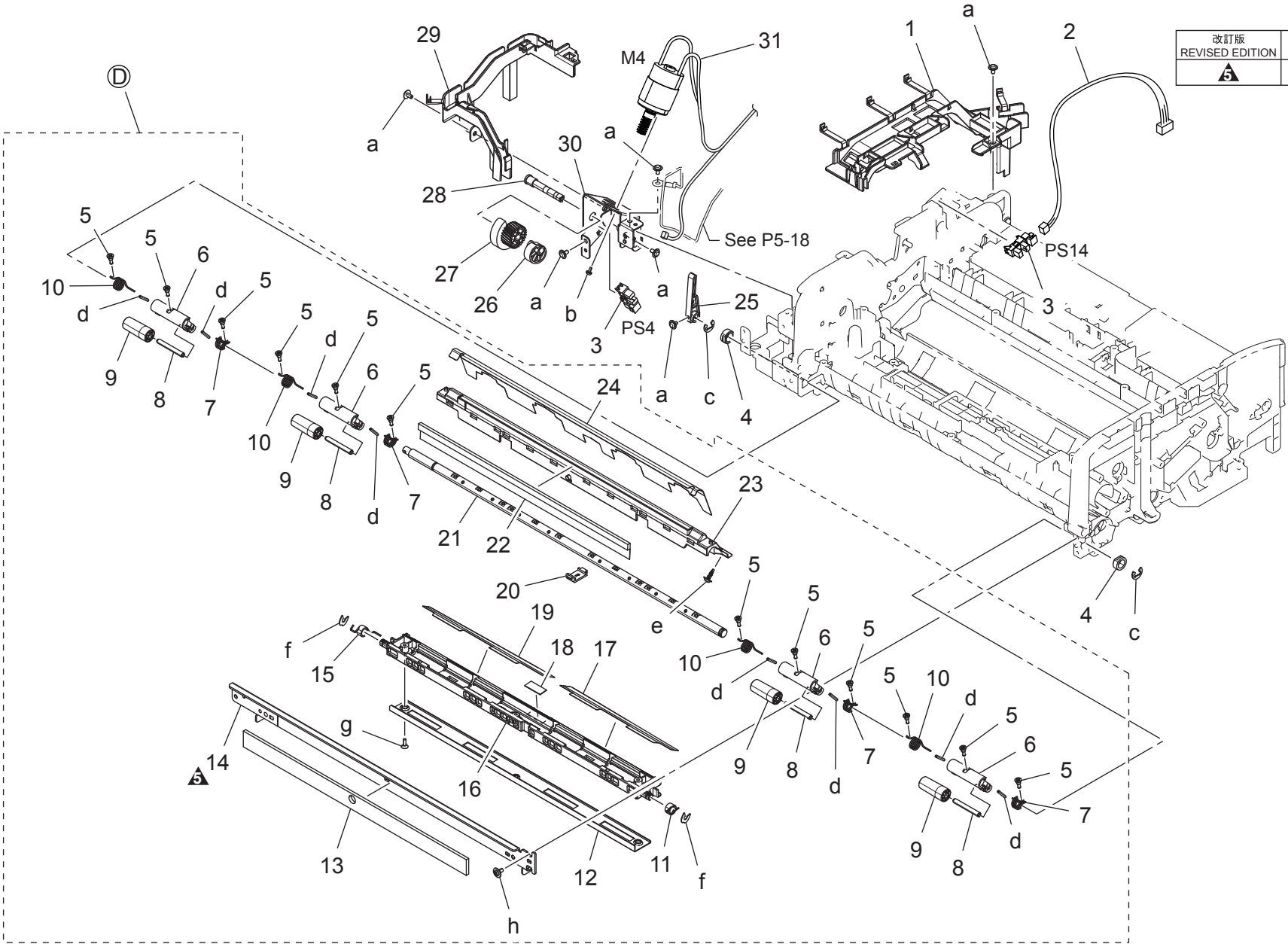
Key	Part No.	Description	Destinations	Class	QTY	Standard parts
1	A3CFPP5S00	Motor		C	1	a-A143PP7N00 b-A143PP7M00 c-A7V7PP1700 d-A3CFPP2Y01 e-A3CFPP2G00 f-A143PP0P00
2	A3CFPP2C00	Plate Spring		D	1	
3	A3CEPP2H01	Bracket		D	1	
4	A3CFPP3R00	Washer		C	1	
5	A143PP9300	BEARING		C	1	
6	A3CFPP3D01	Pulley		C	1	
7	A3CFPP3P01	Pressure Spring		C	1	
8	A85GPP0X00	Timing Belt		C	2	
9	A3CFPP3C00	Pulley		C	1	
10	A3CFPP3900	Flange		C	1	
11	A3CEPP1G01	Neutralizing Brush		C	1	
12	A3CF103400	Bushing		C	1	
13	A143PP1X00	NEUTRALIZING BRUSH		C	2	
14	A3CEPP1500	Roller		C	1	
15	A3CFPP2E00	Bushing		D	1	
16	A143PP1M00	Ball Bearing		C	1	
17	A3CEPP2K00	Pulley		C	1	
18	A3CEPP2Q00	Pulley		C	2	
19	A3CEPP2F01Old	Tension Spring		C	1	
19	A85GPP0S00	Tension Spring		C	1	
20	A3CEPP2S00	Bracket		D	1	
21	A3CEPP2J01	Bracket		D	1	
22	A85GPP0R00	Tension Spring		C	1	
23	A3CEPP4B00	Motor		C	1	
24	A3CEPP4N00	Wire Harness Assy		D	1	
25	A3CEPP4P00	Wire Harness Assy		D	1	
26	A85GPP1000	Conveyance Frame Assy		D	1	

PAPER TRANSPORT SECTION

改訂版 REVISED EDITION	日付 DATE
	DECEMBER 2016




PAPER TRANSPORT SECTION

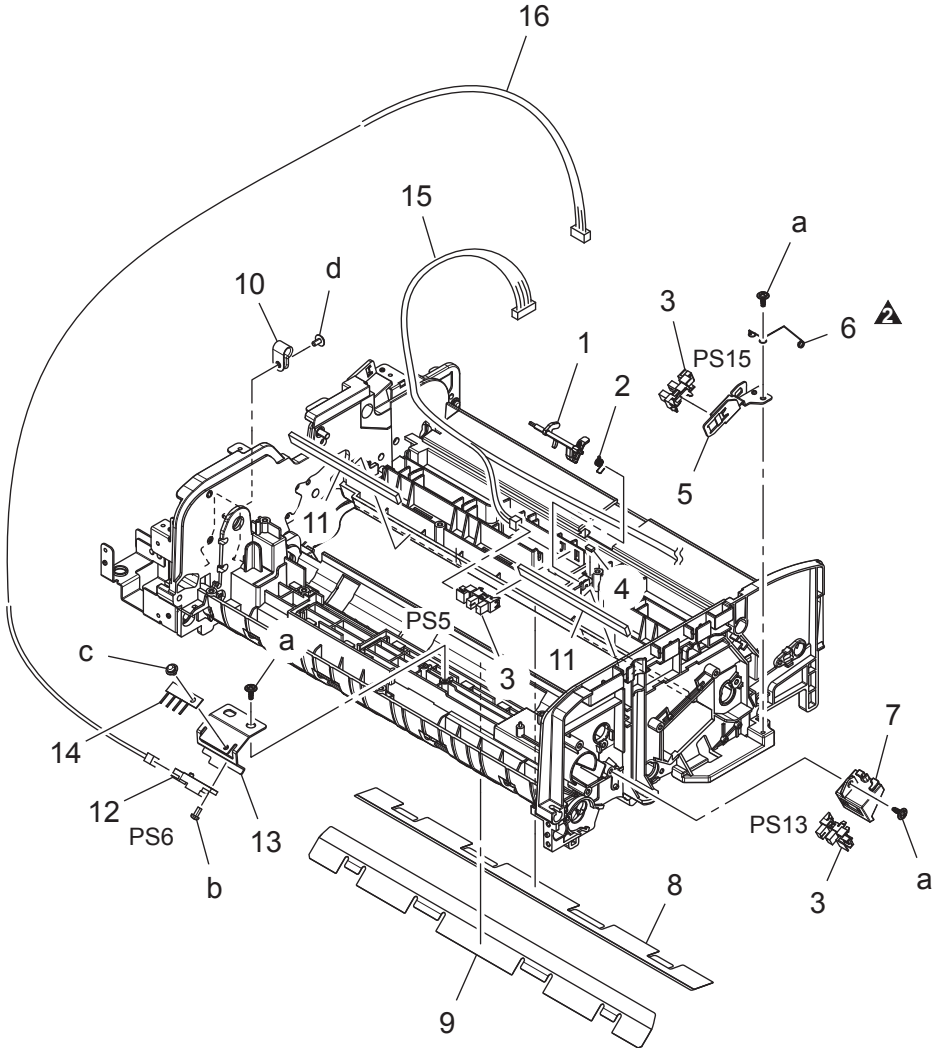


改訂版 REVISED EDITION	日付 DATE
	JANUARY 2017

Key	Part No.	Description	Destinations	Class	QTY	Standard parts
1	A85GPP0601	Guide		C	1	a-A143PP7M00
2	A3CEPP4G00	Wire Harness Assy		D	1	b-A7V7PP1100
3	A5C1M50100	Photointerrupter		B	2	c-A143PP0P00
4	A3CFPP1K01	Bushing		C	2	d-A87RPP0P00
5	A87RPP0Q01	Shoulder Screw		C	12	e-A3CFPP2V00
6	A87RPP0G01	Holder		D	4	f-A143PP5501
7	A87RPP0N01	Torsion Coil Spring		C	4	g-A87RPP0200
8	A87RPP0J00	Shaft		D	4	h-
9	A87RPP0H00	Roll		C	4	A3CFPP2F00Old
10	A87RPP0M01	Torsion Coil Spring		C	4	h-A87RPP1M00
11	A87RPP0000	Torsion Coil Spring		C	1	
12	A87RPP0T00	Guide Plate		D	1	
13	A87RPP1100	Cushion		C	1	
14	A87RPP0V00Old	Guide Plate		D	1	
14	A87RPP1U00	Guide Plate		D	1	
15	A87RPP0Y00Old	Torsion Coil Spring		C	1	
15	A87RPP0Y01	Torsion Coil Spring		C	1	
16	A87RPP0S03	Guide		D	1	
17	A87RPP0W00	Guide Film		C	1	
18	A3CFPP1P00	Cushion		C	1	
19	A87RPP0X00	Guide Film		C	1	
20	A87RPP0U00	Guide		D	1	
21	A87RPP0K01	Shaft		D	1	
22	A87RPP1001	Guide Film		C	1	
23	A85GPP0A01	Guide		D	1	
24	A87RPP0101	Guide Film		C	1	
25	A87RPP1500	Lever		C	1	
26	A87RPP1600	Cam		C	1	
27	A143PP3P01	Gear		C	1	
28	A3CFPP3M00	Shaft		D	1	
29	A85GPP0500	Guide		C	1	
30	A3CEPP2T01	Bracket		D	1	
31	A3CEPP5700	Motor Assy		C	1	

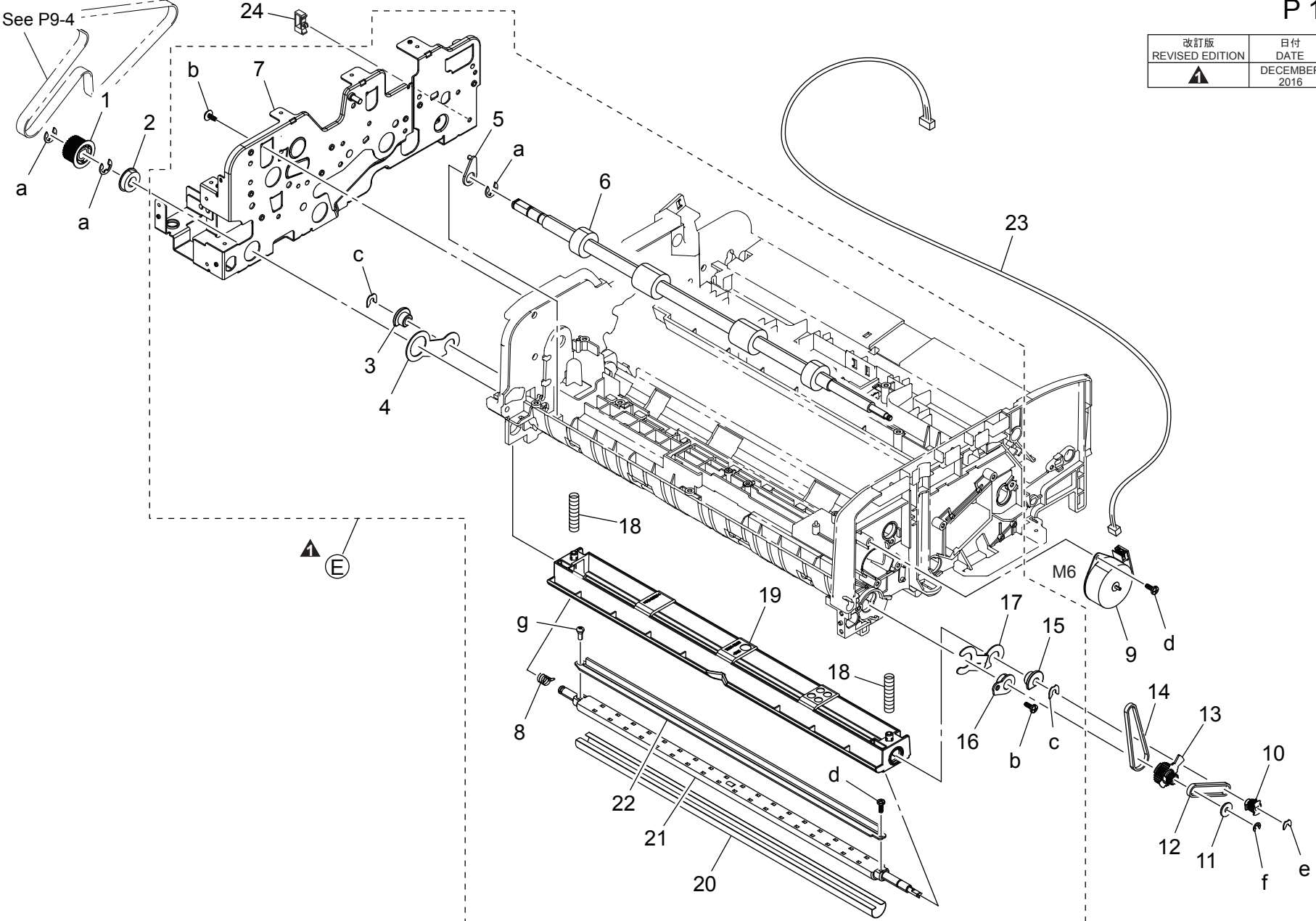
PAPER TRANSPORT SECTION

改訂版 REVISED EDITION	日付 DATE
	FEBRUARY 2017

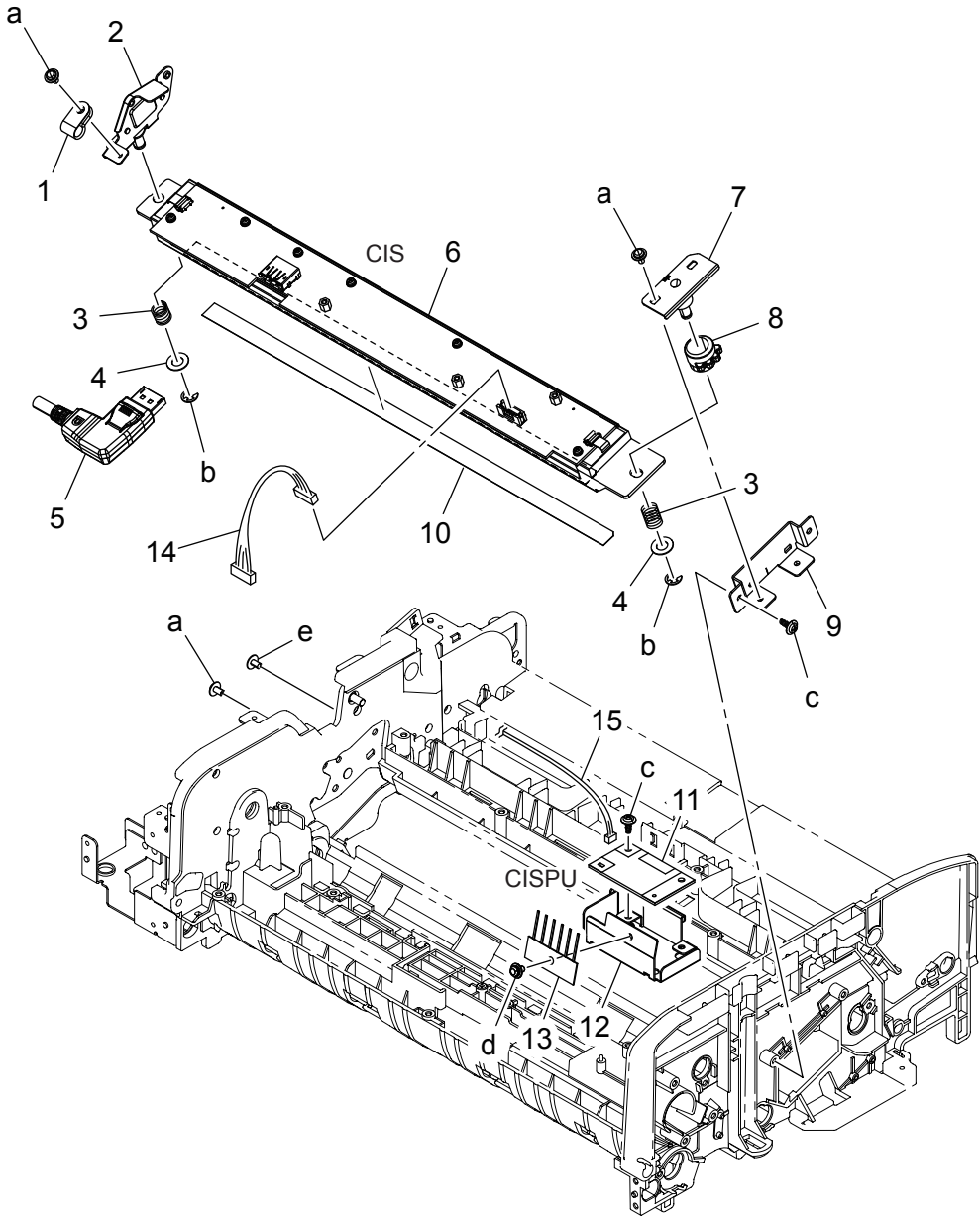


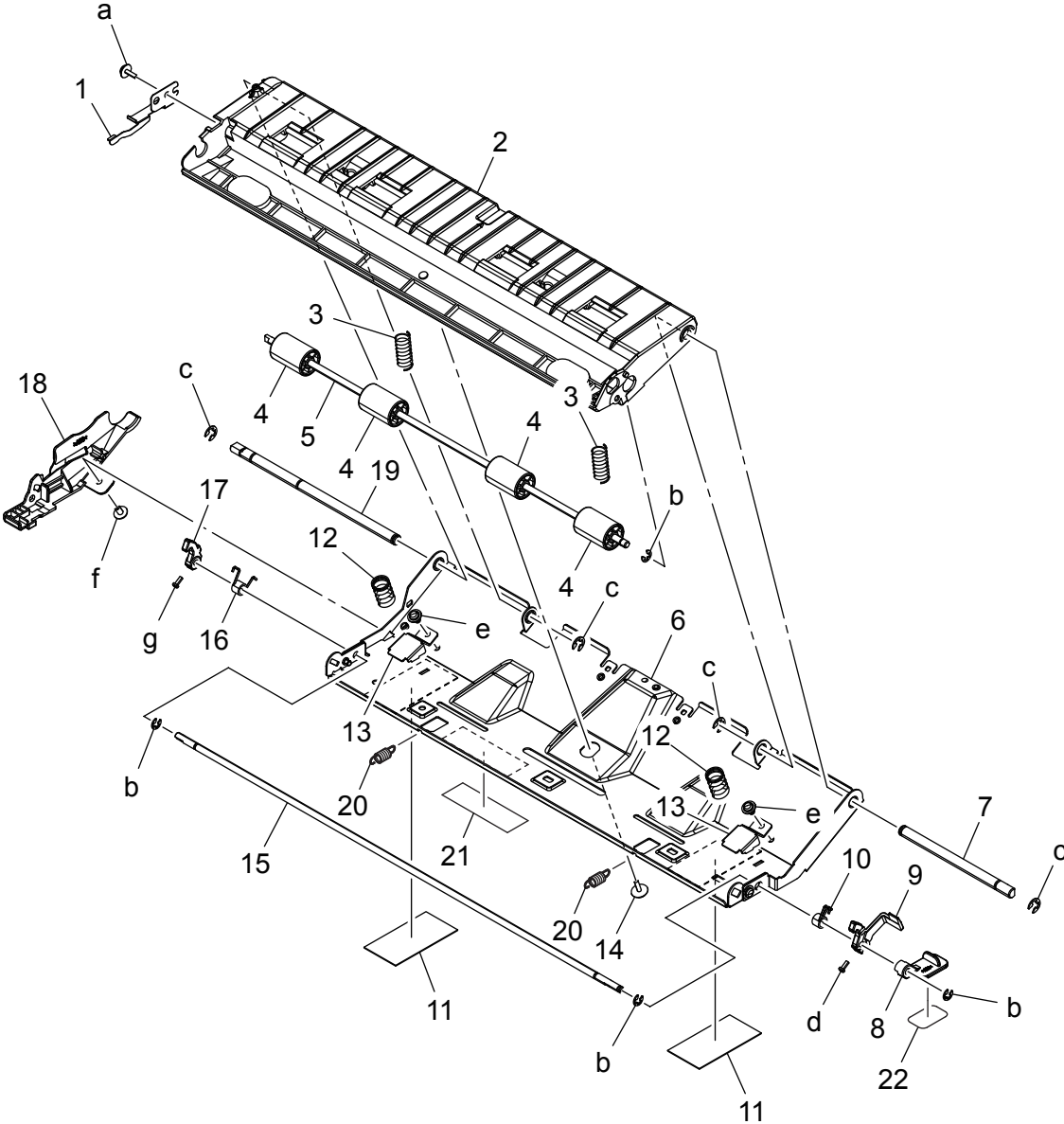
PAPER TRANSPORT SECTION

改訂版 REVISED EDITION	日付 DATE
▲	DECEMBER 2016



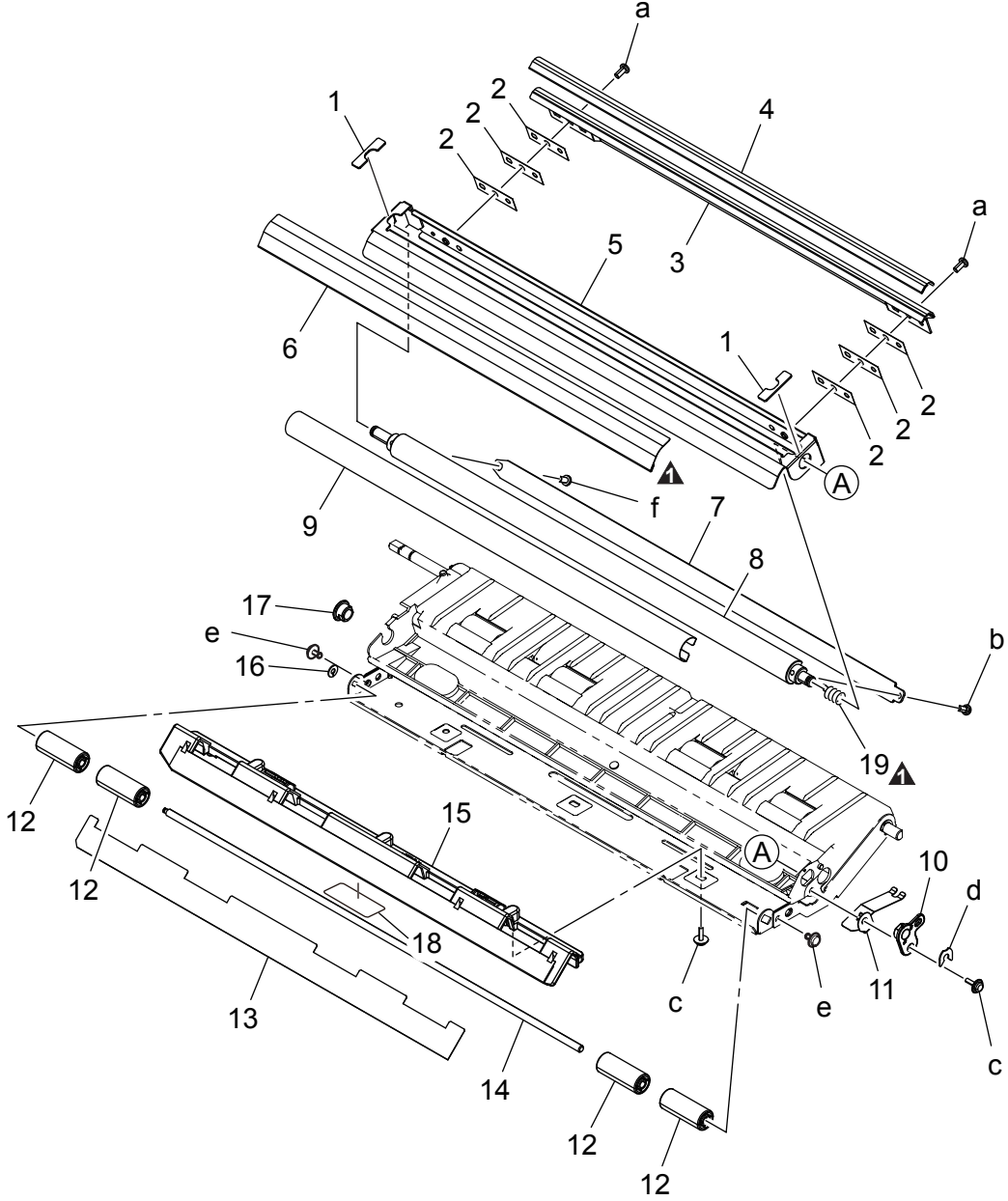
CIS SECTION





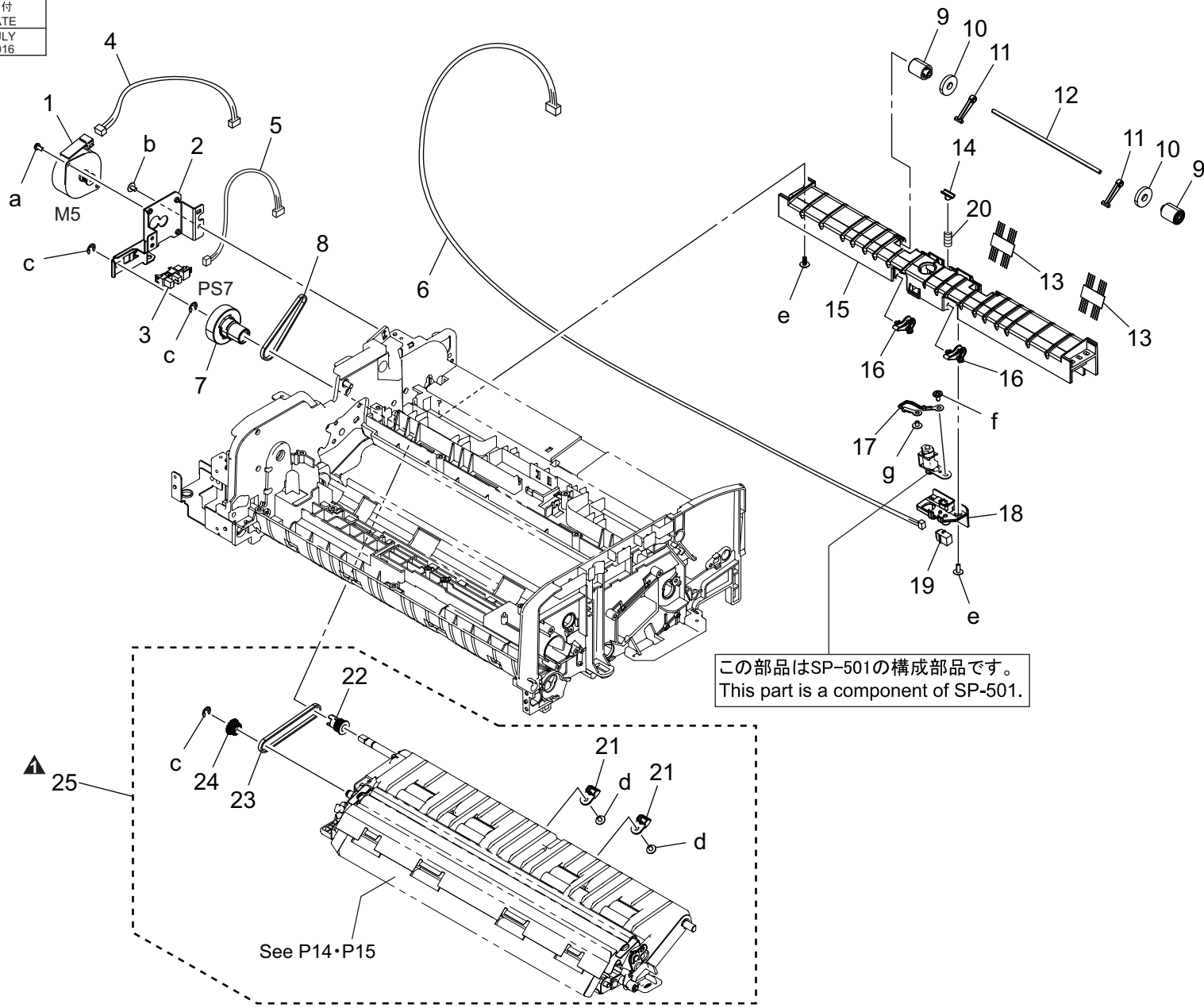
CIS SECTION

改訂版 REVISED EDITION	日付 DATE
▲	OCTOBER 2016



CIS SECTION

改訂版 REVISED EDITION	日付 DATE
	JULY 2016

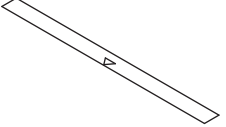


この部品はSP-501の構成部品です。
This part is a component of SP-501.

See P14・P15

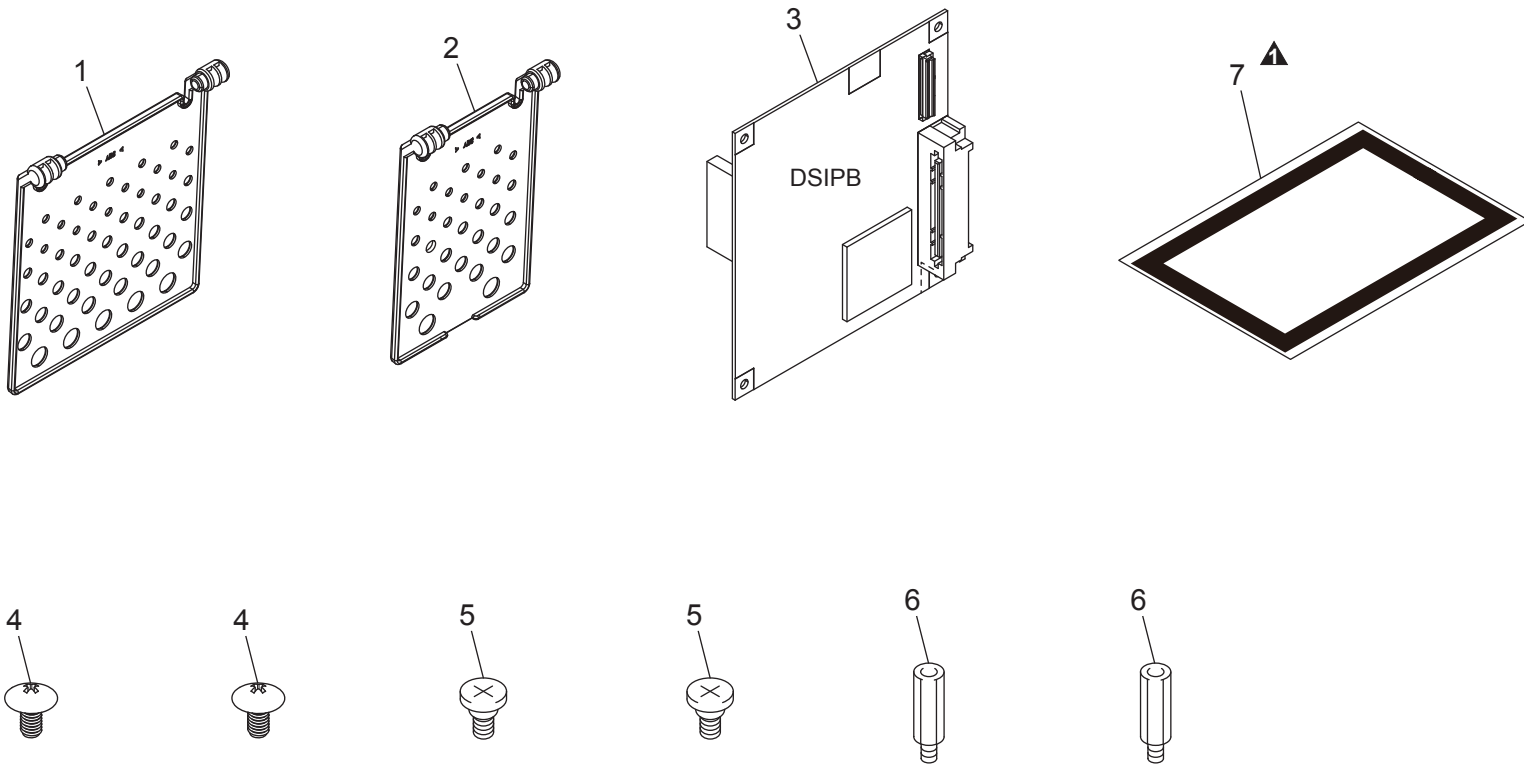
WIRING ACCESSORIES AND JIGS

P 17

1 	6	11	16	21	26	31	36
2	7	12	17	22	27	32	37
3	8	13	18	23	28	33	38
4	9	14	19	24	29	34	39
5	10	15	20	25	30	35	40

ACCESSORY PARTS

改訂版 REVISED EDITION	日付 DATE
▲	JANUARY 2017



MAINTENANCE LIST

● The items with no Page/Key numbers are not handled as spare parts.

No.	Section	PM Parts Description	Maintenance Cycle (K=1,000)		Parts No.	Destinations	Page/Key	Note
			QTY	Replace				
1	Paper Take-up Section	Pick-up roller	2	200K	A143PP5200		P6-13	*1*2
2		Feed roller	1	200K	A00J563600		P6-24	*1*2
3		Separation roller assy	1	200K	A3CFPP4H00		P7-3	*1*2

*1: Actual durable cycle (life counter value)

*2: Replace those three parts at the same time.

メンテナンスリスト

● ページ / キーナンバーのないものは、アフターサービス部品ではありません。

No.	区分	PM 部品名称	サイクル (K=1,000)		部品番号	仕向地	頁 / キー	備考
			員数	交換				
1	給紙部	ピックアップローラー	2	200K	A143PP5200		P6-13	*1*2
2		給紙ローラー	1	200K	A00J563600		P6-24	*1*2
3		分離ローラー Assy	1	200K	A3CFPP4H00		P7-3	*1*2

*1: 実質交換サイクル値 (ライフカウンター値)

*2: 3点同時交換すること。

DESTINATION

Destination No.		Destinations		V	Hz	Model No.
A	A1	JAPAN		100	50/60	A85GWY1, A85GWY2
	A2	JAPAN		200	50/60	
B		USA, CANADA		120	60	A85GWY1, A85GWY2
C		EUROPEAN TYPE		220-240	50/60	A85GWY1, A85GWY2
D	D1	S.E ASIA TYPE	THAILAND, SRI LANKA, SINGAPORE, MALAYSIA, HONG KONG, PAKISTAN, INDIA, BANGLADESH, INDONESIA	220-240	50/60	A85GWY1
	D3	OCEANIA TYPE	AUSTRALIA, NEW ZEALAND	220-240	50/60	A85GWY1
E		PHILIPPINES		220-240	50/60	A85GWY1
F	F1	SAUDI ARABIA		127	60	
	F2	SAUDI ARABIA		220-240	50/60	A85GWY1
G	G1	C.S AMERICA		220-240	50/60	A85GWY1, A85GWY2
	G2	C.S AMERICA		120	60	A85GWY1
H		TAIWAN		110	60	A85GWY1
I		JORDAN, LEBANON, SYRIA, SOUTH AFRICA, IRAQ, IRAN, N.YEMEN, CAMEROON, UAE, BAHRAIN, OMAN, QATAR, KUWAIT, KENYA, TUNISIA, IVORY COAST, MOROCCO		220-240	50/60	A85GWY1, A85GWY2
J		CHINA		220-240	50/60	A85GWY1
K		KOREA		220-240	50/60	A85GWY1, A85GWY2