

KONICA MINOLTA

PARTS GUIDE MANUAL

MARCH 2018

FS-534
A3EP

INFORMATION FOR PARTS GUIDE MANUAL

To find correct Parts No., refer to the "HOW TO MAKE THE BEST USE OF THIS MANUAL" in the following page.

HOW TO MAKE THE BEST USE OF THIS MANUAL

- 1 When you order, please check the proper figures beforehand that are on Our Parts Guide Manual, and order with the appropriate figures.
- 2 For screws, Nuts, Washers, retaining rings and Pins which are used in this model, one letter is shown on the Standard parts column of Parts list and exploded diagrams.
- 3 In order to maintain safety of the product, some specific parts composed of this product are set up as "essential safety parts".
- 4 The assigned parts number for the "essential safety parts" is indicated as "SP00-****".
When replacing these parts, follow precautions for disassembling and installing which are listed in the Service Manual.
Do not use any parts that are not set up as
- 5 ♣ means that there are exclusive parts for each destination.
Please check the appropriate destination when you order.
- 6 Revision Mark
Marked as ▲ on the illustration shows that the revision has been made.
- 7 All rights reserved. (any reprints or quotations are prohibited.)
Use of this parts guide manual should be strictly supervised to avoid disclosure of confidential information.

パーツガイドマニュアルのご案内

サービス部品をご発注の際には、下記に示す“パーツガイドマニュアルの活用にあたって”をご参照の上、正しい部品番号にてお願い致します。

パーツガイドマニュアルの活用にあたって

- 1 部品発注の際には、掲載されている部品番号の桁数を確認し、掲載されている桁数で発注願います。
- 2 この製品に使用されているネジ、ナット、ワッシャー、止め輪、ピンなどは、リストの右側の Standard parts 欄に a,b,c,…… で表示し、イラストにも a,b,c,…… 表示してあります。
- 3 製品の安全性を維持する為に、製品に使用される特定の部品を「重要保安部品」として設定しています。
- 4 重要保安部品の部品番号は、“SP00-****”と記載されていますので、部品交換時は、サービスマニュアル記載の分解・組み立ての注意事項に従って作業をして下さい。
また、指定以外の部品は一切使用しないで下さい。
- 5 本文に ♣ が表示されている部品は、仕向け地毎に専用部品がある事を意味しています。
オーダーされる時は、仕向け地を確認して下さい。
- 6 改訂記号について
イラスト上に ▲ 印が表示されている部分は、改訂された事を表します。
- 7 著作権所有（無断転載及び無断引用の禁止）
本パーツガイドマニュアルについては、機密保持等その扱いには十分注意して下さい。万一取り扱いを誤った場合には、法律で処罰されることがあります。

CONTENTS

No.	DESCRIPTION	名称	PAGE No.
1	EXTERNAL PARTS	外装部	P1
2	FRAME SECTION	フレーム部	P2
3	PAPER TRANSPORT SECTION	搬送部	P3 P4 P5 P6
4	ELEVATE SECTION	エレベート部	P7 P8
5	STAPLER SECTION	ステープル部	P9
6	PAPER EXIT SECTION	排紙部	P10 P11 P12
7	COMPILE SECTION	コンパイル部	P13 P14
8	HORIZONTAL TRANSPORT SECTION	水平搬送部	P15 P16 P17
9	WIRING	束線	P18 P19
10	WIRING ACCESSORIES AND JIGS	配線部品・治具	P20
11	ACCESSORY PARTS	同梱部品	P21

INDEX

Parts No.	Page No.
07BA15930	17-12
4030104002	2-7
4030104002	5-18
9J06M60100	2-17
9J08P00100	9-30
A00J617800	17-14
A00V240600	5-1
A00V240600	13-4
A02E193400	21-14
A092145400	2-10
A0EDM50100	3-32
A0EDM50100	5-12
A0EDM50100	6-7
A0EDM50100	12-19
A0HR115401	1-5
A0HR115401	2-19
A0HR116000	2-20
A0HR172601	1-4
A0HR210200	17-6
A0HR210300	17-8
A0HR210900	17-9
A0HR211000	17-10
A0HR212700	15-7
A0HR213000	17-5
A0HR213100	4-19
A0HR213600	17-4
A0HR701200	16-10
A0HRM10000	17-1
A108M50100	2-14
A108M50100	3-30
A108M50100	4-22
A108M50100	7-17
A108M50100	8-25
A108M50100	9-17
A108M50100	10-8
A108M50100	12-17
A108M50100	13-13
A108M50100	14-10
A108R90000	15-1
A108R90000	16-9

Parts No.	Page No.
A108R90000	17-20
A2YVVR70100	15-27
A3EP115002	21-2
A3EP115101	21-1
A3EP116100	2-22
A3EP116400	21-5
A3EP116500	21-4
A3EP560100	9-2
A3EP810002	17-21
A3EP810401	21-6
A3EP810501	21-3
A3EP810601	17-22
A3EP810700	17-2
A3EP810800	17-15
A3EP811100	15-4
A3EP811201	15-11
A3EP811501	17-24
A3EP811700	16-4
A3EP811800	15-5
A3EP812000	16-2
A3EP812100	15-8
A3EP812200	15-10
A3EP812500	15-6
A3EP813900	16-8
A3EP814200	15-16
A3EP814300	15-9
A3EP814600	15-14
A3EP814701	16-1
A3EP814800	17-16
A3EP814901	17-17
A3EP815000	16-5
A3EP815200	16-6
A3EP815400	17-3
A3EP815500	16-3
A3EP816200	17-11
A3EP816500	17-13
A3EP817100	15-26
A3EP817200	15-24
A3EP817300	15-25
A3EP819001	15-3

Parts No.	Page No.
A3EP819801	17-18
A3EP820100	15-2
A3EP820300	17-7
A3EP821600	16-11
A3EP821700	17-19
A3EP821800	16-7
A3EP822000	17-23
A3EP822100	15-17
A3EP822201	15-18
A3EP822300	15-19
A3EP822400	15-21
A3EP822500	15-20
A3EP822600	15-13
A3EP822701	15-22
A3EP822801	15-12
A3EP822901	15-15
A3EP957100	21-7
A3EPN10000	17-26
A3EPN10100	17-25
A3EPN10200	15-23
A3EPP00200	1-21
A3EPPP1001	4-21
A3EPPP1101	4-16
A3EPPP1101	13-17
A3EPPP1201	8-18
A3EPPP1300	7-14
A3EPPP1300	11-17
A3EPPP1300	12-3
A3EPPP1400	3-3
A3EPPP1501	5-2
A3EPPP1501	6-15
A3EPPP1501	8-16
A3EPPP1A01	3-10
A3EPPP1B01	2-11
A3EPPP1C01	21-8
A3EPPP1D01	21-9
A3EPPP1E03	6-16
A3EPPP1F03	2-6
A3EPPP1G01	1-14
A3EPPP1J02	2-23

Parts No.	Page No.
A3EPPP1J05	2-23
A3EPPP1K03	1-7
A3EPPP1L02	1-13
A3EPPP1L03	1-13
A3EPPP1M04	1-12
A3EPPP1M05	1-12
A3EPPP1N00	1-11
A3EPPP1P03	1-1
A3EPPP1R02	1-2
A3EPPP1S02	1-3
A3EPPP1S03	1-3
A3EPPP1T04	2-26
A3EPPP1U02	2-21
A3EPPP1V02	2-18
A3EPPP1X02	2-16
A3EPPP1Y01	1-16
A3EPPP1Y01	8-12
A3EPPP2201	2-15
A3EPPP2301	1-10
A3EPPP2501	1-6
A3EPPP2600	2-8
A3EPPP2600	7-19
A3EPPP2700	2-1
A3EPPP2700	7-21
A3EPPP2803	6-13
A3EPPP2901	6-11
A3EPPP2A02	6-17
A3EPPP2B02	5-6
A3EPPP2D02	4-2
A3EPPP2E02	6-28
A3EPPP2F02	5-16
A3EPPP2H01	4-23
A3EPPP2J01	3-5
A3EPPP2K02	5-21
A3EPPP2K03	5-21
A3EPPP2L03	6-31
A3EPPP2M01	3-31
A3EPPP2N02	2-3
A3EPPP2P01	3-14
A3EPPP2Q02	3-11

Parts No.	Page No.
A3EPPP2R01	4-7
A3EPPP2R01	6-32
A3EPPP2T02	5-11
A3EPPP2U01	5-14
A3EPPP2V02	4-15
A3EPPP2X01	5-3
A3EPPP2Y02	6-21
A3EPPP3001	5-24
A3EPPP3104	6-22
A3EPPP3201	3-26
A3EPPP3306	6-23
A3EPPP3402	4-25
A3EPPP3500	5-23
A3EPPP3501	5-23
A3EPPP3603	6-24
A3EPPP3702	5-9
A3EPPP3702	6-1
A3EPPP3800	4-4
A3EPPP3901	3-6
A3EPPP3A02	4-27
A3EPPP3B02	4-24
A3EPPP3C00	4-14
A3EPPP3D02	4-17
A3EPPP3E01	6-5
A3EPPP3F01	3-2
A3EPPP3G03	6-6
A3EPPP3H01	6-8
A3EPPP3J00	3-1
A3EPPP3K03	3-8
A3EPPP3L02	3-13
A3EPPP3M00	3-4
A3EPPP3N00	3-24
A3EPPP3P01	3-22
A3EPPP3Q00	3-18
A3EPPP3R02	3-16
A3EPPP3S00	6-10
A3EPPP3T01	5-10
A3EPPP3U00	6-25
A3EPPP3V01	5-25
A3EPPP3X00	3-12

Parts No.	Page No.	Parts No.	Page No.	Parts No.	Page No.	Parts No.	Page No.	Parts No.	Page No.
A3EPPP3Y01	6-26	A3EPPP5302	4-1	A3EPPP6F01	3-23	A3EPPP7L02	11-25	A3EPPP8X02	9-16
A3EPPP4000	6-3	A3EPPP5403	3-15	A3EPPP6G00	3-20	A3EPPP7L03	11-25	A3EPPP8Y03	9-1
A3EPPP4102	3-17	A3EPPP5500	3-29	A3EPPP6H01	3-21	A3EPPP7M04	11-18	A3EPPP9001	9-4
A3EPPP4202	6-9	A3EPPP5500	13-11	A3EPPP6J00	14-15	A3EPPP7N04	11-1	A3EPPP9104	9-23
A3EPPP4302	5-8	A3EPPP5500	14-12	A3EPPP6K01	13-8	A3EPPP7P01	10-6	A3EPPP9200	9-15
A3EPPP4302	6-2	A3EPPP5600	3-28	A3EPPP6L01	3-19	A3EPPP7R02	10-17	A3EPPP9301	9-9
A3EPPP4400	5-13	A3EPPP5701	6-20	A3EPPP6M02	13-7	A3EPPP7R04	10-17	A3EPPP9402	9-21
A3EPPP4501	6-19	A3EPPP5801	13-19	A3EPPP6N01	13-24	A3EPPP7S00	10-10	A3EPPP9507	7-22
A3EPPP4600	4-26	A3EPPP5B01	13-16	A3EPPP6P01	13-25	A3EPPP7T05	10-20	A3EPPP9602	8-8
A3EPPP4701	3-9	A3EPPP5C00	14-14	A3EPPP6Q00	12-9	A3EPPP7U01	11-22	A3EPPP9901	8-9
A3EPPP4800	5-15	A3EPPP5E01	13-1	A3EPPP6R01	12-8	A3EPPP7V01	11-5	A3EPPP9A02	8-11
A3EPPP4902	3-7	A3EPPP5F03	13-18	A3EPPP6S01	10-2	A3EPPP7X01	10-7	A3EPPP9B00	8-3
A3EPPP4A02	6-27	A3EPPP5G04	13-3	A3EPPP6T03	10-1	A3EPPP7Y01	10-9	A3EPPP9C01	8-4
A3EPPP4B00	5-26	A3EPPP5G05	13-3	A3EPPP6U01	12-5	A3EPPP8000	10-18	A3EPPP9D01	8-30
A3EPPP4C01	2-4	A3EPPP5H00	13-14	A3EPPP6V01	12-7	A3EPPP8102	10-19	A3EPPP9E00	8-17
A3EPPP4D04	6-14	A3EPPP5J02	13-20	A3EPPP6X00	12-6	A3EPPP8202	10-5	A3EPPP9F03	8-22
A3EPPP4E04	5-17	A3EPPP5K00	14-19	A3EPPP6Y01	12-25	A3EPPP8301	12-2	A3EPPP9G00	8-19
A3EPPP4F04	5-7	A3EPPP5L00	14-22	A3EPPP7002	12-23	A3EPPP8400	10-4	A3EPPP9H04	8-20
A3EPPP4G02	5-20	A3EPPP5M01	14-20	A3EPPP7100	12-22	A3EPPP8501	10-3	A3EPPP9J02	8-21
A3EPPP4G15	5-20	A3EPPP5N01	14-9	A3EPPP7203	12-20	A3EPPP8601	12-14	A3EPPP9K00	8-28
A3EPPP4H03	13-9	A3EPPP5P01	14-8	A3EPPP7303	12-1	A3EPPP8701	12-13	A3EPPP9L02	8-14
A3EPPP4H04	13-9	A3EPPP5Q00	14-16	A3EPPP7503	10-13	A3EPPP8802	12-16	A3EPPP9M01	8-23
A3EPPP4J03	5-19	A3EPPP5R01	14-13	A3EPPP7600	10-14	A3EPPP8900	12-15	A3EPPP9N02	8-7
A3EPPP4J04	5-19	A3EPPP5T02	14-18	A3EPPP7701	11-23	A3EPPP8A00	12-4	A3EPPP9P01	8-13
A3EPPP4K00	4-13	A3EPPP5U01	14-5	A3EPPP7702	11-23	A3EPPP8B00	12-21	A3EPPP9Q01	7-12
A3EPPP4L00	4-11	A3EPPP5V01	14-6	A3EPPP7803	11-16	A3EPPP8C01	12-18	A3EPPP9R01	7-27
A3EPPP4M00	4-8	A3EPPP5X01	14-7	A3EPPP7804	11-16	A3EPPP8D02	12-11	A3EPPP9S02	7-5
A3EPPP4N00	4-12	A3EPPP5Y01	14-11	A3EPPP7900	11-15	A3EPPP8H05	9-18	A3EPPP9T01	7-13
A3EPPP4P00	4-5	A3EPPP6000	13-28	A3EPPP7A01	11-7	A3EPPP8J01	9-8	A3EPPP9U02	7-26
A3EPPP4Q00	4-10	A3EPPP6201	14-4	A3EPPP7B04	11-11	A3EPPP8K02	9-3	A3EPPP9X01	7-10
A3EPPP4S01	5-5	A3EPPP6301	14-1	A3EPPP7C04	11-12	A3EPPP8L00	9-5	A3EPPP9Y02	7-8
A3EPPP4T02	6-18	A3EPPP6401	14-3	A3EPPP7D00	11-13	A3EPPP8M03	9-20	A3EPPPA001	8-5
A3EPPP4U00	3-25	A3EPPP6501	14-2	A3EPPP7E00	11-10	A3EPPP8N01	9-6	A3EPPPA101	7-11
A3EPPP4U00	4-20	A3EPPP6601	14-24	A3EPPP7F01	11-9	A3EPPP8P03	9-7	A3EPPPA202	7-15
A3EPPP4V00	5-4	A3EPPP6701	14-17	A3EPPP7G00	11-8	A3EPPP8Q02	9-11	A3EPPPA302	7-9
A3EPPP4X01	6-12	A3EPPP6801	13-23	A3EPPP7H00	11-6	A3EPPP8R01	9-10	A3EPPPA401	7-4
A3EPPP4Y01	1-20	A3EPPP6802	13-23	A3EPPP7J01	11-19	A3EPPP8S00	9-12	A3EPPPA603	7-16
A3EPPP4Y01	6-29	A3EPPP6A01	13-10	A3EPPP7J02	11-19	A3EPPP8T00	9-14	A3EPPPA703	8-26
A3EPPP5101	6-30	A3EPPP6B01	13-6	A3EPPP7K00	11-2	A3EPPP8U00	9-19	A3EPPPA802	7-18
A3EPPP5201	2-5	A3EPPP6C02	13-15	A3EPPP7K01	11-2	A3EPPP8V01	9-13	A3EPPPA901	8-24

Parts No.	Page No.
A3EPPAA00	7-1
A3EPPAB02	7-31
A3EPPAC01	7-6
A3EPPAD00	7-3
A3EPPAF02	7-24
A3EPPAG02	7-23
A3EPPAH00	7-20
A3EPPAJ00	11-3
A3EPPAK00	11-20
A3EPPAM00	12-10
A3EPPAN00	11-4
A3EPPAP00	11-21
A3EPPAQ01	4-18
A3EPPAQ01	11-24
A3EPPAQ01	12-24
A3EPPAR01	8-27
A3EPPAS01	8-2
A3EPPAT00	11-14
A3EPPBB00	4-6
A3EPPBB11	4-6
A3EPPBD01	2-2
A3EPPBE01	2-25
A3EPPBF02	18-1
A3EPPBG04	1-8
A3EPPBH02	5-28
A3EPPBJ01	6-33
A3EPPBK01	4-28
A3EPPBL01	4-29
A3EPPBM01	14-25
A3EPPBP00	8-15
A3EPPBR01	8-31
A3EPPBS00	7-28
A3EPPBT01	2-13
A3EPPBU02	18-2
A3EPPBU04	18-2
A3EPPBV00	2-12
A3EPPBX01	19-1
A3EPPBY00	9-25
A3EPPC001	14-27
A3EPPC101	7-30

Parts No.	Page No.
A3EPPPC300	6-34
A3EPPPC401	5-31
A3EPPPC500	3-33
A3EPPPC601	4-30
A3EPPPC700	14-26
A3EPPPC801	12-26
A3EPPPC901	19-2
A3EPPPCA01	9-27
A3EPPPCB00	9-26
A3EPPPC01	9-28
A3EPPPCF01	8-1
A3EPPPCH01	7-29
A3EPPPCM01	19-3
A3EPPPCP00	1-9
A3EPPPCQ00	3-27
A3EPPPCS00	13-12
A3EPPPCT00	14-21
A3EPPPCU00	14-23
A3EPPPCV01	10-12
A3EPPPCX00	9-22
A3EPPPCX01	9-22
A3EPPPCY00	7-2
A3EPPPD000	8-10
A3EPPPD100	8-6
A3EPPPD200	8-29
A3EPPPD301	13-26
A3EPPPD401	13-27
A3EPPPD500	6-35
A3EPPPD600	10-21
A3EPPPD800	12-27
A3EPPPD900	6-36
A3EPPPDB00	21-15
A3EPPPDE03	10-24
A3EPPPDF01	4-31
A3EPPPDG00	4-32
A3EPPPDH00	12-28
A3EPPPF100	1-4
A3EPPPF200	1-17
A3EPPPF300	1-18
A3EPPPF400	1-1

Parts No.	Page No.
A3EPPPF501	6-37
A3EPPPF600	1-19
A3EPPPF700	14-28
A3EPPPF900	6-4
A3EPPPF900	6-4
A3EPPPFE00	6-39
A3EPPPFH00	2-28
A87GPP0000	13-2
A87GPP0601	14-6
A87GPP0701	14-3
A87GPP0800	14-29
A87GPP0900	14-30
A87GPP0A00	14-28
A87GPP1000	14-8
A87GPP1100	14-1
A87GPP1301	1-15
A87GPP1400	10-16
A87GPP1500	10-11
A87HPP7400	10-15
A87HPP7500	12-12
V116031603	21-11
V116040803	21-10
V116040803	21-16
V118030603	21-12
V153030803	21-13
V153041003	1-6
V500010081	20-7
V500010082	20-1
V500020098	20-3
V500020099	20-4
V570010021	20-5
V570010026	20-6

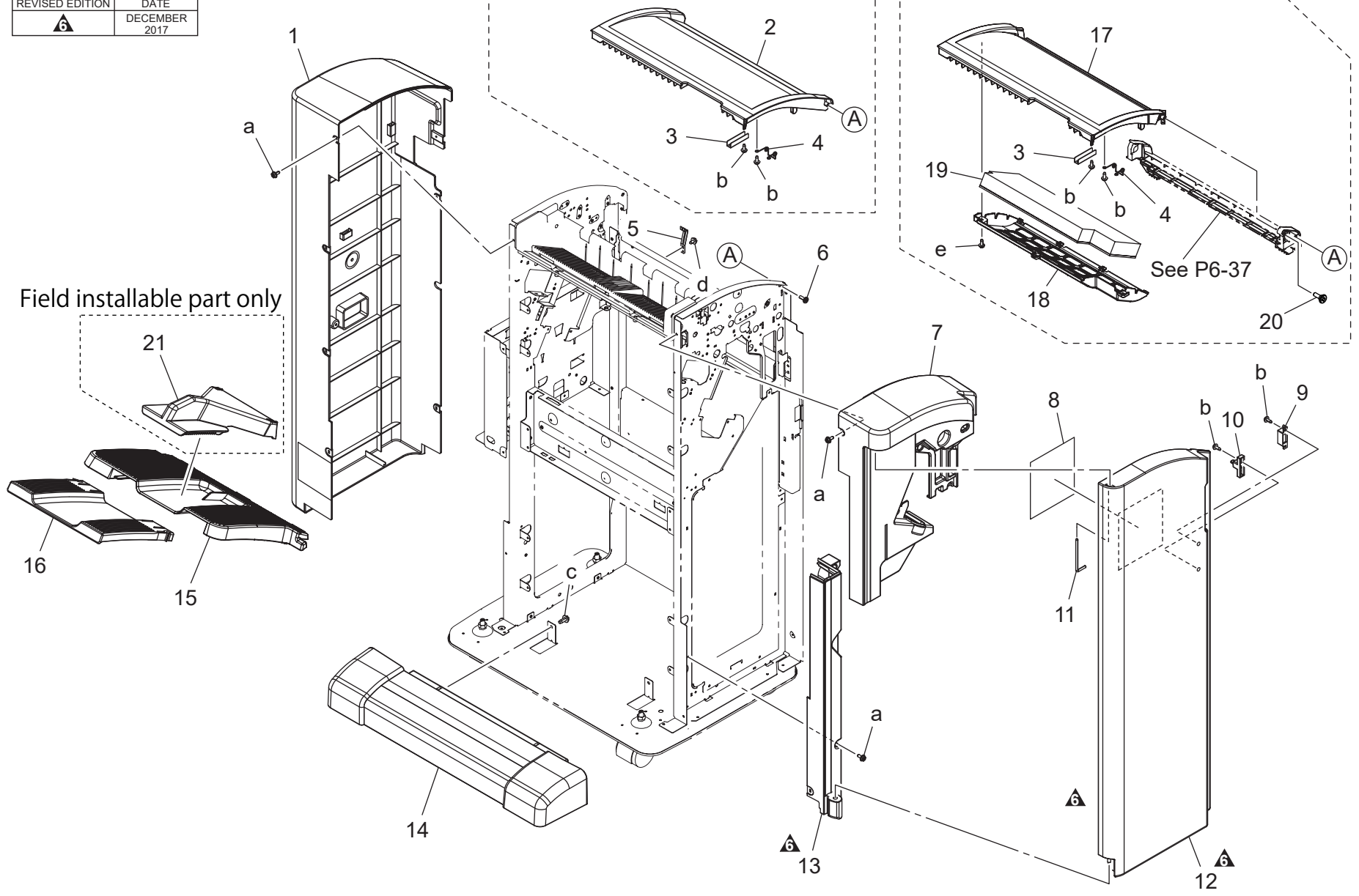
EXTERNAL PARTS

改訂版 REVISED EDITION	日付 DATE
	DECEMBER 2017

Model No.A3EP-WY1

Model No.A3EP-WY2/WY3


P 1

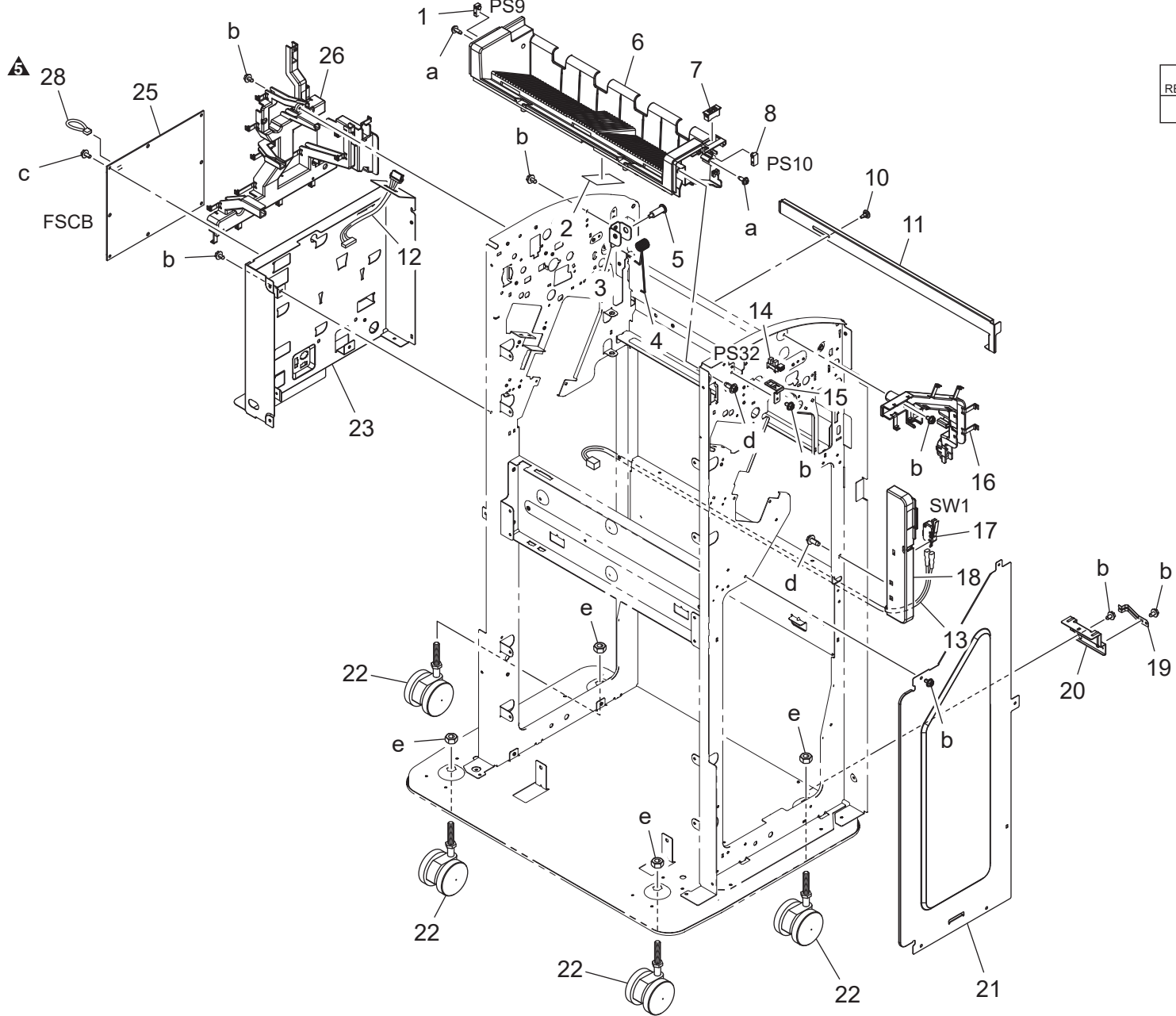


EXTERNAL PARTS

Key	Part No.	Description	Destinations	Class	QTY	Standard parts
1	A3EPPP1P03	Rear Cover	後カバー (Model No. A3EP-WY1)	C	1	a-A3EPPPB801 b-A3EPPPB401 c-A3EPPPB401 d-V144030603 e-V153030803
1	A3EPPPF400	Rear Cover	後カバー (Model No. A3EP-WY2 /WY3)	C	1	
2	A3EPPP1R02	Upper Cover	上カバー (Model No. A3EP-WY1)	C	1	
3	A3EPPP1S02Old	Bracket		D	1	
3	A3EPPP1S03	Bracket		D	1	
4	A0HR172601Old	Torsion Coil spring	ねじりコイルばね (カバー上)	C	1	
4	A3EPPPF100	Torsion Coil spring	ねじりコイルばね (カバー上)	C	1	
5	A0HR115401	Ground Plate /Lower	アース板/下	D	1	
6	A3EPPP2501	Screw	ねじ (Model No. A3EP-WY1)	D	1	
6	V153041003	screw	カップ頭タッピンねじ B タイト (Model No. A3EP-WY2 /WY3)	V	1	
7	A3EPPP1K03	Cover	カバー	D	1	
8	A3EPPPBG04	Label	ラベル	D	1	
9	A3EPPPCP00	MAGNET CATCH	マグネットキャッチ	D	1	
10	A3EPPP2301	Actuator	アクチュエーター	C	1	
11	A3EPPP1N00	Shaft	シャフト	D	1	
12	A3EPPP1M04Old	Front Cover	前カバー	C	1	
12	A3EPPP1M05	Front Cover	前カバー	C	1	
13	A3EPPP1L02Old	Cover	カバー	D	1	
13	A3EPPP1L03	Cover	カバー	D	1	
14	A3EPPP1G01	Lower Cover	下カバー	C	1	
15	A87GPP1301	Tray	トレイ	C	1	
16	A3EPPP1Y01	Tray	トレイ	C	1	
17	A3EPPPF200	Upper Cover	上カバー (Model No. A3EP-WY2 /WY3)	C	1	
18	A3EPPPF300	Holder	ホルダー (Model No. A3EP-WY2 /WY3)	D	1	
19	A3EPPPF600	Cushion	クッション (Model No. A3EP-WY2 /WY3)	D	1	
20	A3EPPP4Y01	Screw	ねじ (Model No. A3EP-WY2 /WY3)	D	1	
21	A3EPP00200	Tray	トレイ (補助) A,A1	D	1	

FRAME SECTION

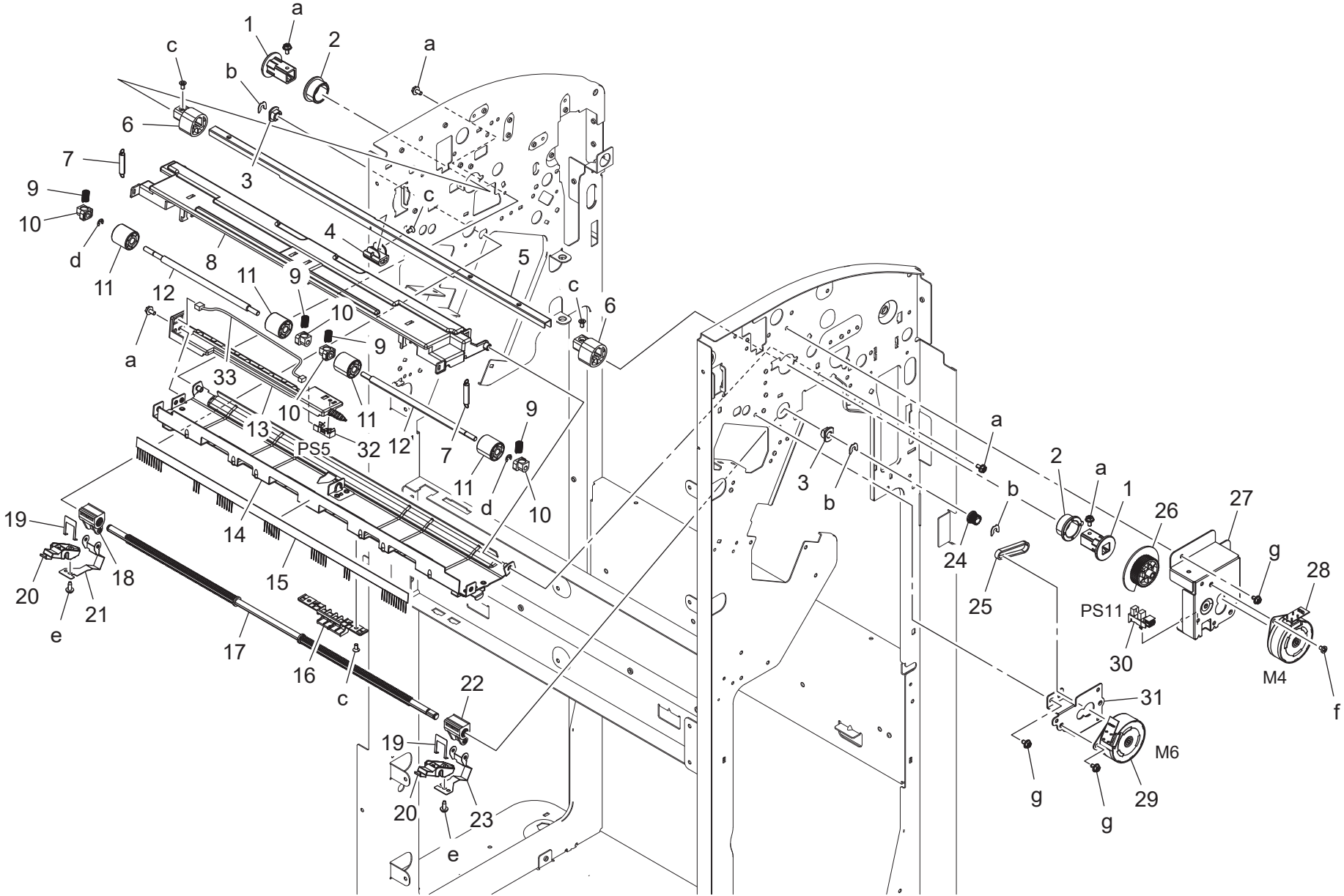
改訂版 REVISED EDITION	日付 DATE
	NOVEMBER 2017



FRAME SECTION

Key	Part No.	Description	Destinations	Class	QTY	Standard parts
1	A3EPPP2700	Photoreflector		I	1	a-A3EPPPBA01 b-V144030603 c-A3EPPP101 d-A3EPPP401 e-V195080003
2	A3EPPPB01	Sheet		D	1	
3	A3EPPP2N02	Bracket		D	1	
4	A3EPPP4C01	Torsion Coil spring		C	1	
5	A3EPPP5201	Screw		D	1	
6	A3EPPP1F03	Cover		C	1	
7	4030104002	CATCH		D	1	
8	A3EPPP2600	Photoreflector		I	1	
10	A092145400	Shoulder screw		C	1	
11	A3EPPP1B01	Reinforce Plate		D	1	
12	A3EPPPB00	Wire Harness Assy		D	1	
13	A3EPPPB01	Wire Harness Assy		D	1	
14	A108M50100	Photointerrupter		B	1	
15	A3EPPP2201	Bracket		D	1	
16	A3EPPP1X02	Guide		C	1	
17	9J06M60100	MICRO SWITCH		C	1	
18	A3EPPP1V02	Cover		C	1	
19	A0HR115401	Ground Plate /Lower		D	1	
20	A0HR116000	Mounting Plate		D	1	
21	A3EPPP1U02	Cover		D	1	
22	A3EP116100	Castor		C	4	
23	A3EPPP1J02Old	Bracket		D	1	
23	A3EPPP1J05	Bracket		D	1	
25	A3EPPPBE01	Main PCB Assy		I	1	
26	A3EPPP1T04	Guide		C	1	
28	A3EPPPFH00	Wire Harness Assy		D	1	

PAPER TRANSPORT SECTION

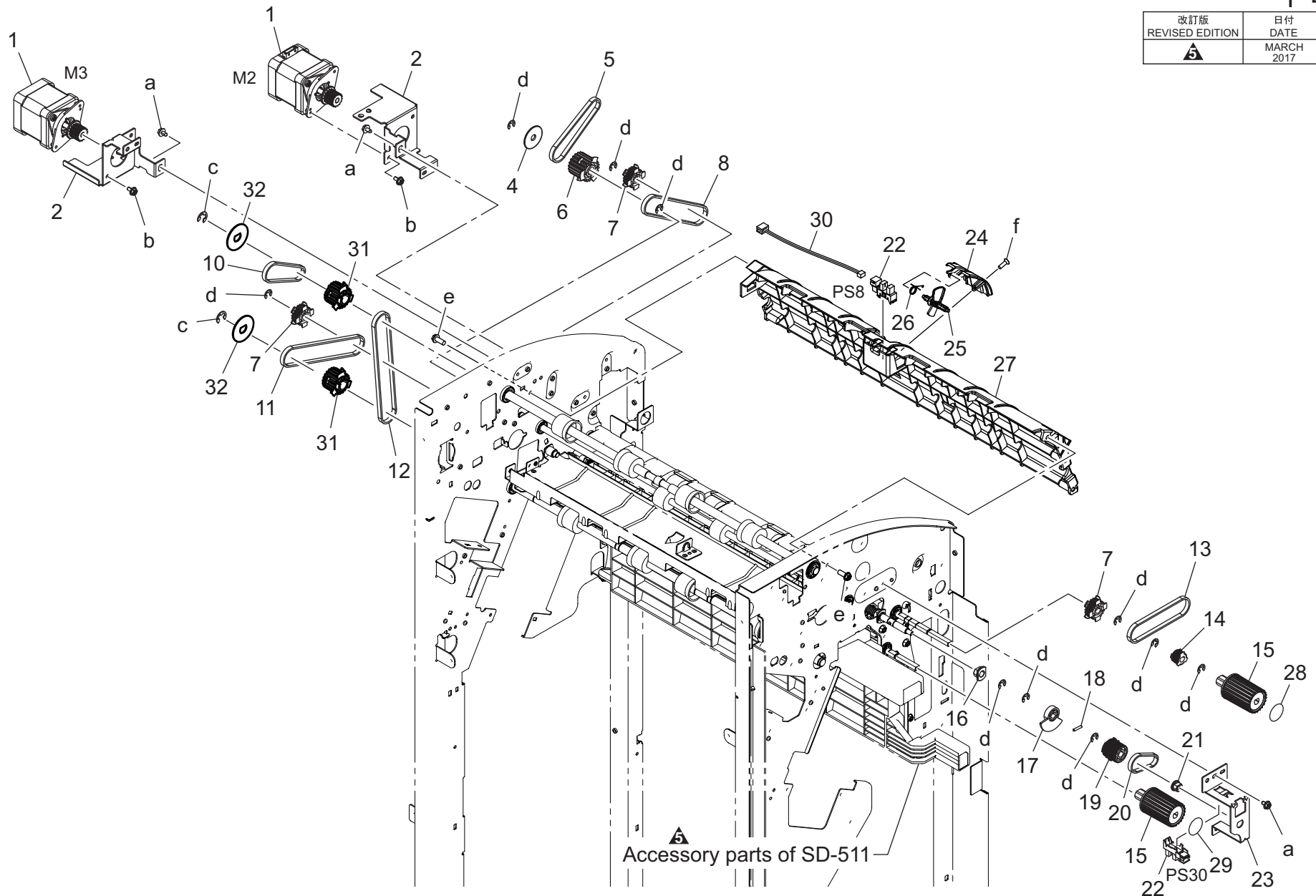


Key	Part No.	Description	Destinations	Class	QTY	Standard parts
1	A3EPPP3J00	Bush		C	2	a-A3EPPPB101 b-V218040086 c-A3EPPPAV01 d-V217030001 e-A3EPPPBA01 f-A3EPPPAY01 g-V144030603
2	A3EPPP3F01	Bush		C	2	
3	A3EPPP1400	Bushing		D	2	
4	A3EPPP3M00	Cam		C	1	
5	A3EPPP2J01	Bracket		D	1	
6	A3EPPP3901	Cam		C	2	
7	A3EPPP4902	Tension Spring		C	2	
8	A3EPPP3K03	Guide		D	1	
9	A3EPPP4701	Pressure Spring		C	4	
10	A3EPPP1A01	Bush		C	4	
11	A3EPPP2Q02	Roller		C	4	
12	A3EPPP3X00	Shaft		D	2	
13	A3EPPP3L02	Guide		D	1	
14	A3EPPP2P01	Guide Assy		D	1	
15	A3EPPP5403	Neutralizing Brush		C	1	
16	A3EPPP3R02	Holder		D	1	
17	A3EPPP4102	Shaft		D	1	
18	A3EPPP3Q00	Nut		C	1	
19	A3EPPP6L01	Film		C	2	
20	A3EPPP6G00	Drum		C	2	
21	A3EPPP6H01	Stopper		C	1	
22	A3EPPP3P01	Nut		C	1	
23	A3EPPP6F01	Stopper		C	1	
24	A3EPPP3N00	Pulley		D	1	
25	A3EPPP4U00	Timing Belt		C	1	
26	A3EPPP3201	Cam		C	1	
27	A3EPPPCQ00	Bracket		D	1	
28	A3EPPP5600	Motor Assy		C	1	
29	A3EPPP5500	Motor Assy		C	1	
30	A108M50100	Photointerrupter		B	1	
31	A3EPPP2M01	Bracket		D	1	
32	A0EDM50100	Photorelector		I	1	
33	A3EPPPC500	Wire Harness Assy		D	1	

PAPER TRANSPORT SECTION


P 4

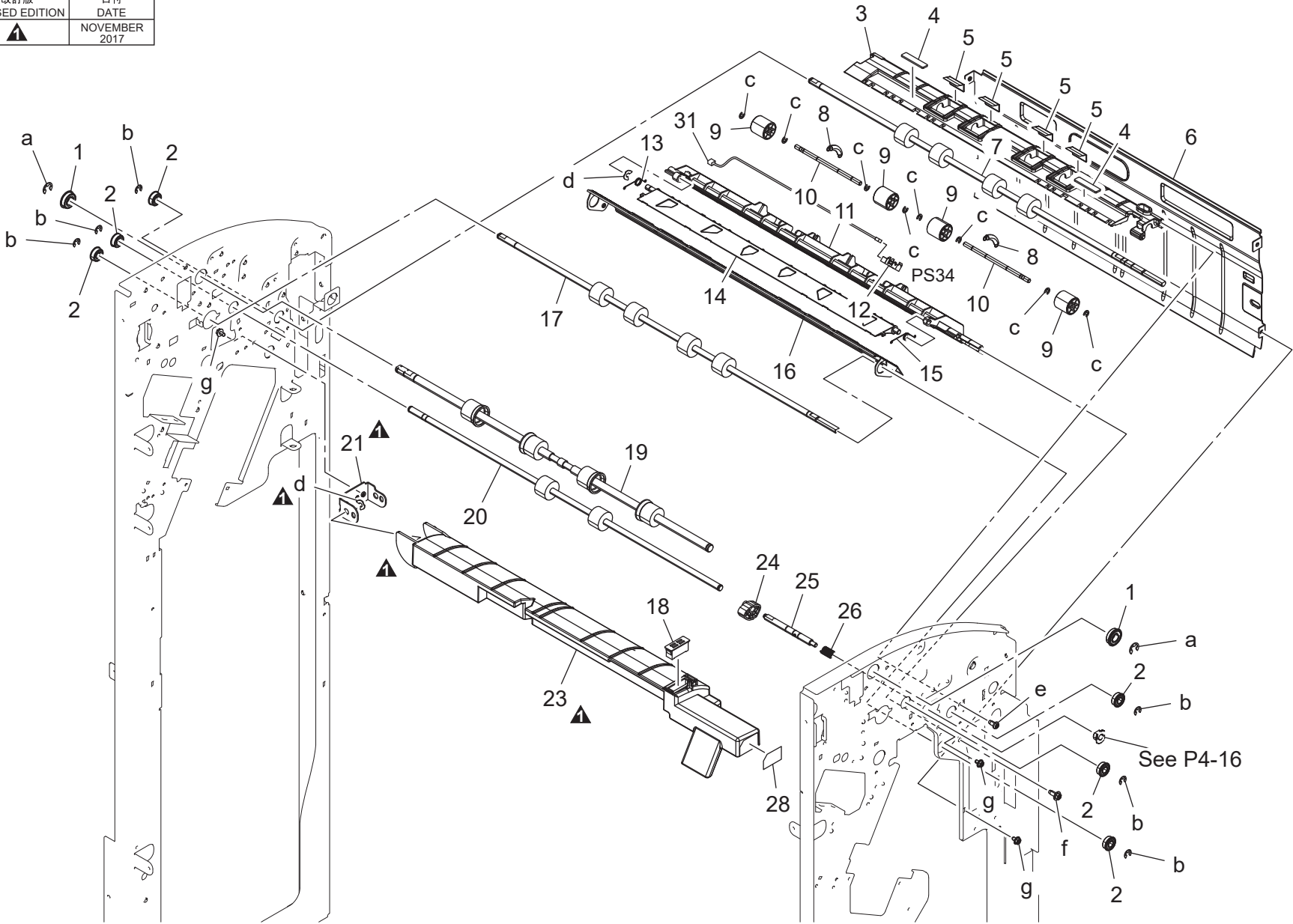
改訂版 REVISED EDITION	日付 DATE
	MARCH 2017



Key	Part No.	Description	Destinations	Class	QTY	Standard parts
1	A3EPPP5302	Motor		C	2	a-V144030603 b-A3EPPPB101 c-V217060001 d-V217040001 e-A3EPPPB401 f-A3EPPPA01
2	A3EPPP2D02	Bracket		D	2	
4	A3EPPP3800	Flange		D	1	
5	A3EPPP4P00	Timing Belt		C	1	
6	A3EPPPB00Old	Pulley Assy		C	1	
6	A3EPPPB11	Pulley Assy		C	1	
7	A3EPPP2R01	Pulley		C	3	
8	A3EPPP4M00	Timing Belt		C	1	
10	A3EPPP4Q00	Timing Belt		C	1	
11	A3EPPP4L00	Timing Belt		C	1	
12	A3EPPP4N00	Timing Belt		C	1	
13	A3EPPP4K00	Timing Belt		C	1	
14	A3EPPP3C00	Pulley		C	1	
15	A3EPPP2V02	Knob		C	2	
16	A3EPPP1101	Bushing		D	1	
17	A3EPPP3D02	Cam		C	1	
18	A3EPPPAQ01	Pin		D	1	
19	A0HR213100	Pulley 28T		C	1	
20	A3EPPP4U00	Timing Belt		C	1	
21	A3EPPP1001	Bushing		D	1	
22	A108M50100	Photointerrupter		B	2	
23	A3EPPP2H01	Bracket		D	1	
24	A3EPPP3B02	Cover		C	1	
25	A3EPPP3402	Actuator		C	1	
26	A3EPPP4600	Torsion Coil spring		C	1	
27	A3EPPP3A02	Guide		D	1	
28	A3EPPPBK01	Label		D	1	
29	A3EPPPB01	Label		D	1	
30	A3EPPPC601	Wire Harness Assy		D	1	
31	A3EPPPDF01	Pulley		C	2	
32	A3EPPPDG00	Flange		D	2	

PAPER TRANSPORT SECTION

改訂版 REVISED EDITION	日付 DATE
	NOVEMBER 2017

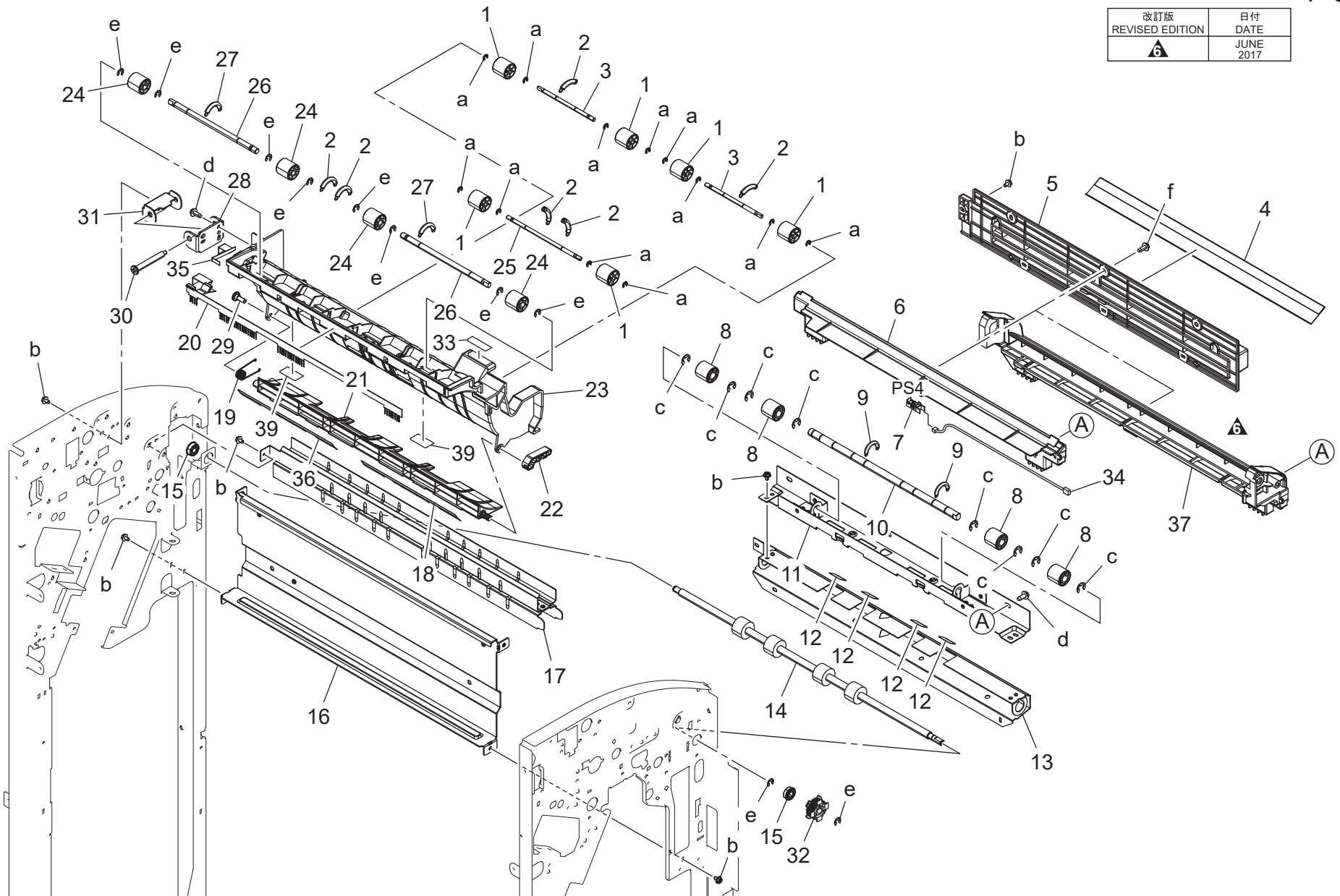


Key	Part No.	Description	Destinations	Class	QTY	Standard parts
1	A00V240600	Ball Bearing	(Model No. A3EP-WY1)	B	2	a-V217060001 b-V217040001 c-V217030001 d-V218040086 e-A3EPPPAU01 f-A3EPPPB401 g-V144030603
2	A3EPPP1501	Ball Bearing				
3	A3EPPP2X01	Guide				
4	A3EPPP4V00	Sponge				
5	A3EPPP4S01	Film				
6	A3EPPP2B02	Guide				
7	A3EPPP4F04	Roller				
8	A3EPPP4302	Tension Spring				
9	A3EPPP3702	Roll				
10	A3EPPP3T01	Shaft				
11	A3EPPP2T02	Guide				
12	A0EDM50100	Photorelector				
13	A3EPPP4400	Torsion Coil spring				
14	A3EPPP2U01	Guide Plate				
15	A3EPPP4800	Torsion Coil spring				
16	A3EPPP2F02	Guide	D	1		
17	A3EPPP4E04	Roller	C	1		
18	4030104002	CATCH	D	1		
19	A3EPPP4J03Old	Roller	C	1		
19	A3EPPP4J04	Roller	C	1		
20	A3EPPP4G02Old	Roller	C	1		
20	A3EPPP4G15	Roller	C	1		
21	A3EPPP2K02Old	Hinge	D	1		
21	A3EPPP2K03	Hinge	D	1		
23	A3EPPP3500Old	Guide	D	1		
23	A3EPPP3501	Guide	D	1		
24	A3EPPP3001	Cam	C	1		
25	A3EPPP3V01	Shaft	D	1		
26	A3EPPP4B00	Pressure Spring	C	1		
28	A3EPPPBH02	Label	D	1		
31	A3EPPPC401	Wire Harness Assy		D	1	

PAPER TRANSPORT SECTION

P 6

改訂版 REVISED EDITION	日付 DATE
△	JUNE 2017

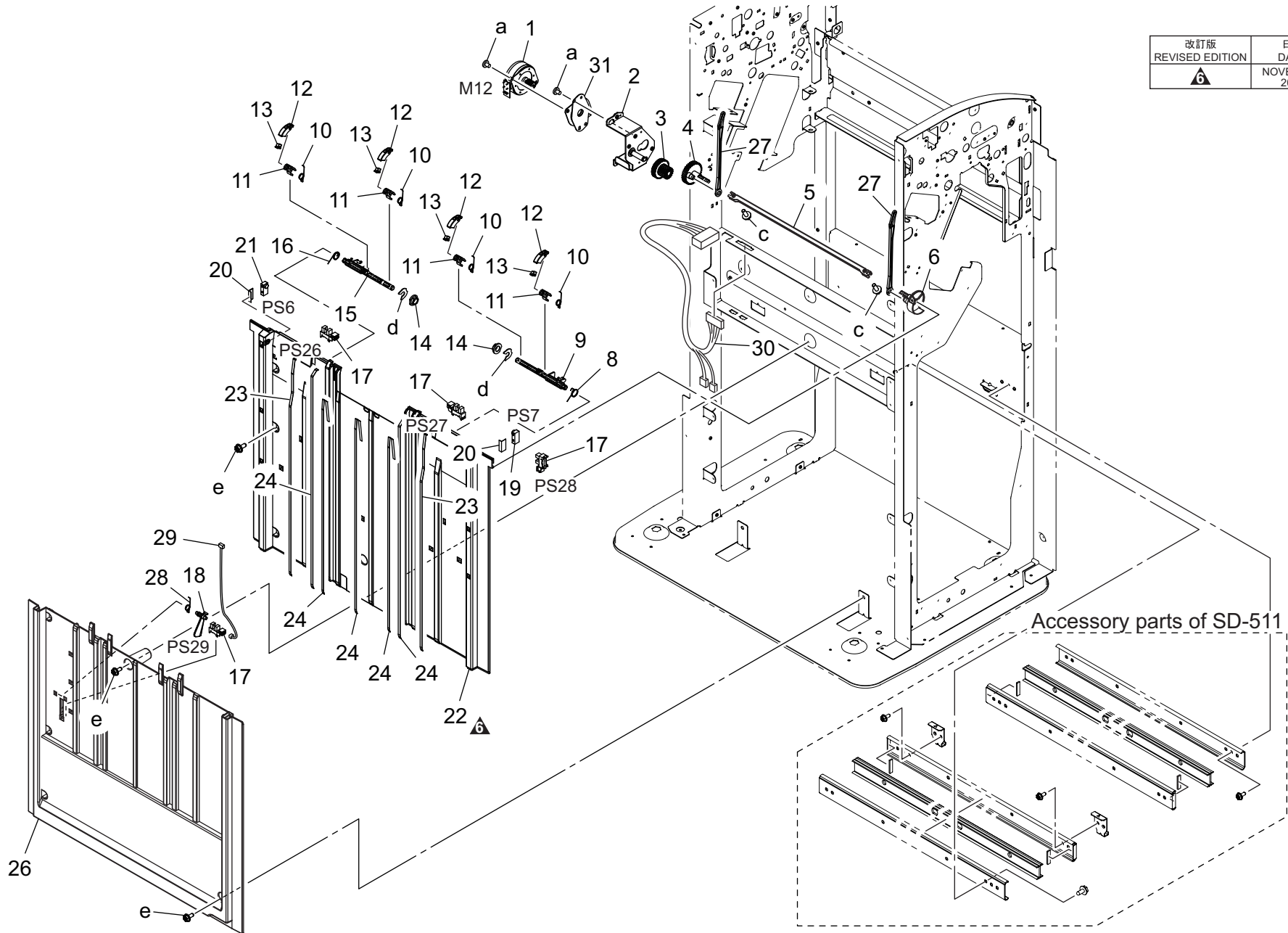


Key	Part No.	Description	Destinations	Class	QTY	Standard parts
1	A3EPPP3702	Roll		C	6	a-V217030001 b-V144030603 c-V217060001 d-A3EPPPB401 e-V217040001 f-A3EPPPCN00
2	A3EPPP4302	Tension Spring		C	6	
3	A3EPPP4000	Shaft		D	2	
4	A3EPPPF900	Film	(Model No. A3EP-WY1)	C	1	
4	A3EPPPF900	Film	(Model No. A3EP-WY2 /WY3)	C	1	
5	A3EPPP3E01	Guide		D	1	
6	A3EPPP3G03	Guide	(Model No. A3EP-WY1)	D	1	
7	A0EDM50100	Photorelector	反射型センサ (アンブ内蔵)	I	1	
8	A3EPPP3H01	Roller	ローラー	C	4	
9	A3EPPP4202	Tension Spring	引張コイルばね	C	2	
10	A3EPPP3S00	Shaft	シャフト	D	1	
11	A3EPPP2901	Guide Assy	ガイド A s s y	D	1	
12	A3EPPP4X01	Film	フィルム	C	4	
13	A3EPPP2803	Guide	ガイド	D	1	
14	A3EPPP4D04	Roller	ローラー	C	1	
15	A3EPPP1501	Ball Bearing	ボールベアリング	C	2	
16	A3EPPP1E03	Reinforce Stay	補強ステー	D	1	
17	A3EPPP2A02	Guide Assy	ガイド A s s y	D	1	
18	A3EPPP4T02	Film	フィルム	C	1	
19	A3EPPP4501	Torsion Coil spring	ねじりコイルばね	C	1	
20	A3EPPP5701	Neutralizing Brush	除電ブラシ	C	1	
21	A3EPPP2Y02	Guide Plate	ガイド板	C	1	
22	A3EPPP3104	Lever	レバー	C	1	
23	A3EPPP3306	Guide	ガイド	D	1	
24	A3EPPP3603	Roller	ローラー	C	4	
25	A3EPPP3U00	Shaft	シャフト	D	1	
26	A3EPPP3Y01	Shaft	シャフト	D	2	
27	A3EPPP4A02	Tension Spring	引張コイルばね	C	2	
28	A3EPPP2E02	Bracket	取付板	D	1	
29	A3EPPP4Y01	Screw	ねじ	D	1	
30	A3EPPP5101	Screw	ねじ	D	1	
31	A3EPPP2L03	Bracket	取付板	D	1	
32	A3EPPP2R01	Pulley	プーリー	C	1	
33	A3EPPPB01	Label	ラベル	D	1	
34	A3EPPPC300	Wire Harness Assy	ハーネス A S S Y	D	1	
35	A3EPPPD500	Seal	シール	C	1	
36	A3EPPPD900	Film	フィルム	D	1	
37	A3EPPPF501	Guide	ガイド	D	1	
39	A3EPPPF00	Guide Film	ガイドフィルム	C	2	

ELEVATE SECTION

P7

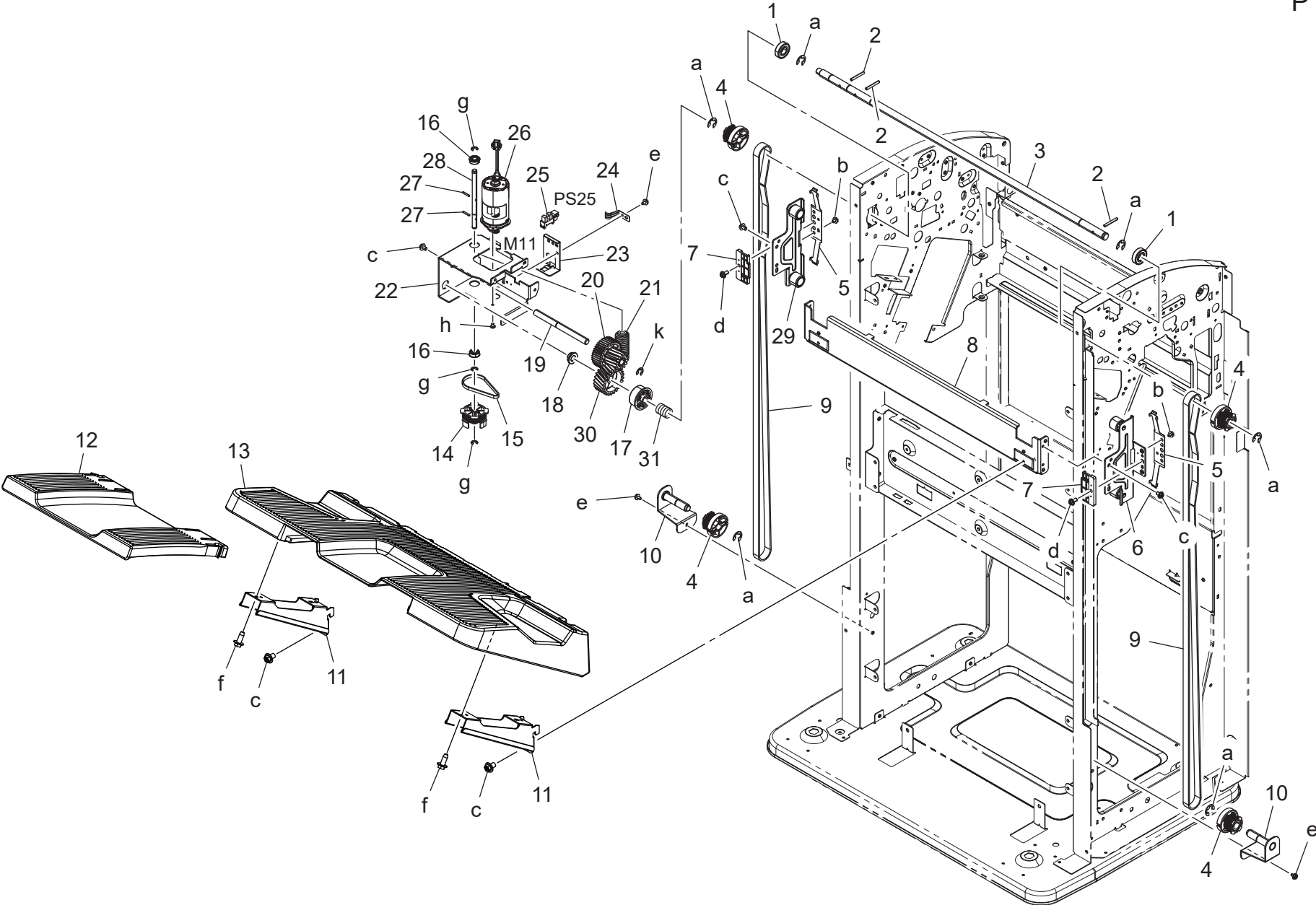
改訂版 REVISED EDITION	日付 DATE
NOVEMBER 2017	



ELEVATE SECTION

Key	Part No.	Description	Destinations	Class	QTY	Standard parts	
1	A3EPPPA00	Motor		C	1	a-A3EPPPAY01 c-A3EPPPB201 d-V217040001 e-A3EPPPB801	
2	A3EPPPCY00	Mounting Plate		D	1		
3	A3EPPPAD00	Gear		C	1		
4	A3EPPPA401	Gear		C	1		
5	A3EPPP9S02	Shaft		D	1		
6	A3EPPPA01	Actuator		C	1		
8	A3EPPP9Y02	Torsion Spring		C	1		
9	A3EPPPA302	Actuator		C	1		
10	A3EPPP9X01	Torsion Spring		C	4		
11	A3EPPPA101	Holder		C	4		
12	A3EPPP9Q01	Holder		C	4		
13	A3EPPP9T01	Cushion		C	4		
14	A3EPPP1300	Bushing		D	2		
15	A3EPPPA202	Actuator		C	1		
16	A3EPPPA603	Torsion Spring		C	1		
17	A108M50100	Photointerrupter		B	4		
18	A3EPPPA802	Actuator		C	1		
19	A3EPPP2600	Photoreflector		I	1		
20	A3EPPPAH00	Seal		C	2		
21	A3EPPP2700	Photoreflector		I	1		
22	A3EPPP9507	Cover		D	1		
23	A3EPPPA02	Slide Part		C	2		
24	A3EPPPAF02	Slide Part		C	5		
26	A3EPPP9U02	Cover		C	1		
27	A3EPPP9R01	Arm		C	2		
28	A3EPPPBS00	Torsion Coil spring		C	1		
29	A3EPPPCH01	Wire Harness Assy		D	1		
30	A3EPPPC101	Wire Harness Assy		D	1		
31	A3EPPPA02	Vibrating Plate		D	1		


ELEVATE SECTION

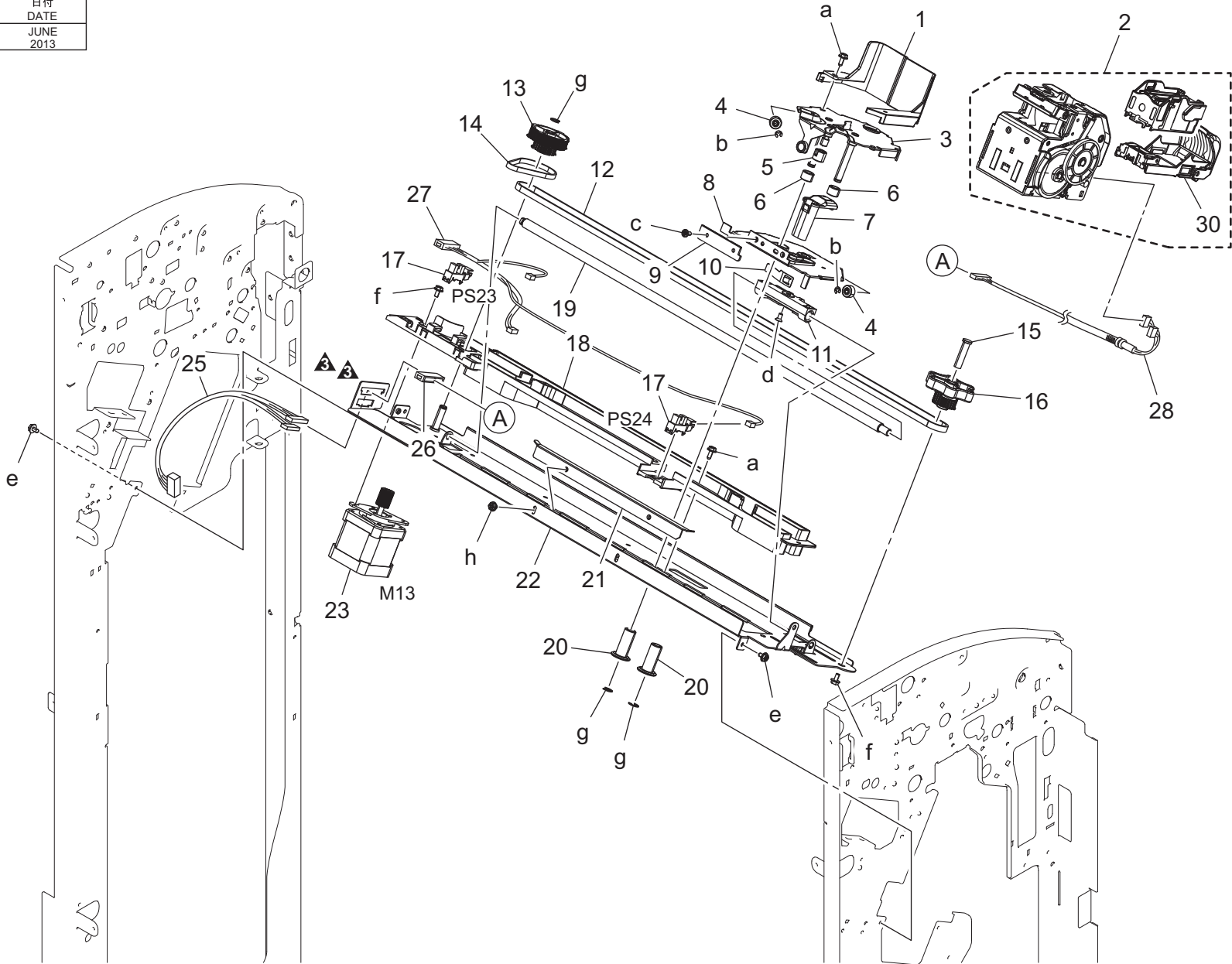


ELEVATE SECTION

Key	Part No.	Description	Destinations	Class	QTY	Standard parts
1	A3EPPPCF01	Ball Bearing		C	2	a-V217080001 b-A3EPPPN01 c-A3EPPPBQ01 d-A3EPPPCJ01 e-V144030603 f-A3EPPPB401 g-V217040001 h-A3EPPPAY01 k-V217060001
2	A3EPPPA01	Pin		D	3	
3	A3EPPP9B00	Shaft		D	1	
4	A3EPPP9C01	Gear		C	4	
5	A3EPPPA001	Plate Spring		D	2	
6	A3EPPPD100	Support Plate Assy		D	1	
7	A3EPPP9N02	Holder		D	2	
8	A3EPPP9602	Mounting Plate		D	1	
9	A3EPPP9901	Timing Belt		C	2	
10	A3EPPPD000	Support Plate		D	2	
11	A3EPPP9A02	Frame		D	2	
12	A3EPPP1Y01	Tray		C	1	
13	A3EPPP9P01	Tray		C	1	
14	A3EPPP9L02	Pulley		C	1	
15	A3EPPPBP00	Timing Belt		C	1	
16	A3EPPP1501	Ball Bearing		C	2	
17	A3EPPP9E00	Ratchet		C	1	
18	A3EPPP1201	Bushing		D	1	
19	A3EPPP9G00	Shaft		D	1	
20	A3EPPP9H04	Gear		C	1	
21	A3EPPP9J02	Worm Gear		C	1	
22	A3EPPP9F03	Mounting Plate		D	1	
23	A3EPPP9M01	Mounting Plate		D	1	
24	A3EPPPA901	Plate Spring		D	1	
25	A108M50100	Photointerrupter		B	1	
26	A3EPPPA703	Motor		C	1	
27	A3EPPPAR01	Pin		D	2	
28	A3EPPP9K00	Shaft		D	1	
29	A3EPPPD200	Support Plate Assy		D	1	
30	A3EPPP9D01	Gear		C	1	
31	A3EPPB01	Pressure Spring		C	1	

STAPLER SECTION


改訂版 REVISED EDITION	日付 DATE
	JUNE 2013

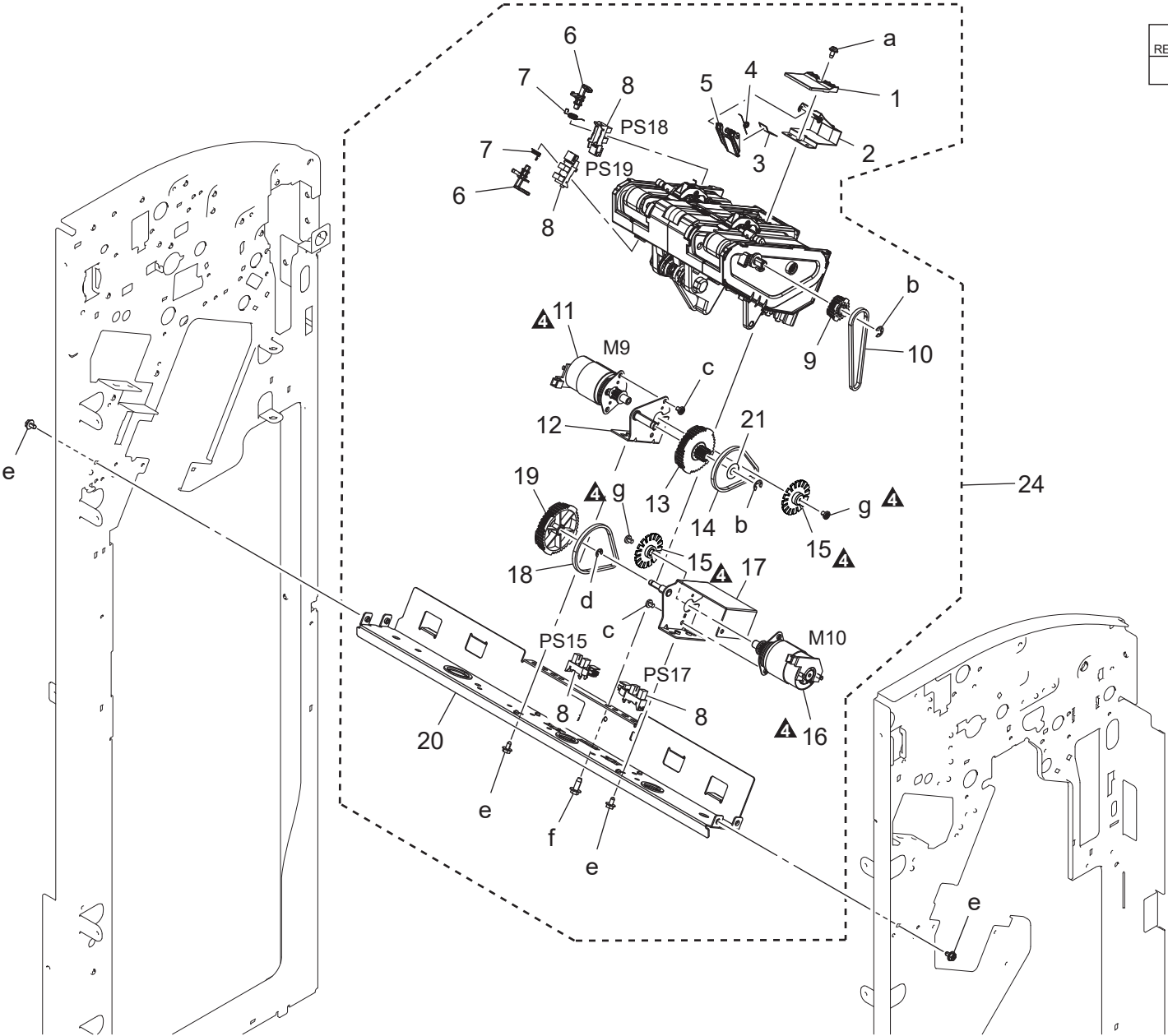


STAPLER SECTION

Key	Part No.	Description	Destinations	Class	QTY	Standard parts
1	A3EPPP8Y03	Holder		D	1	a-A3EPPPB701 b-V217025001 c-A3EPPPB001 d-A3EPPPAV01 e-V144030603 f-A3EPPPB101 g-V217040001 h-A3EPPPN01
2	A3EP560100	Stapler Unit		C	1	
3	A3EPPP8K02	Mounting Plate		D	1	
4	A3EPPP9001	Roll		C	2	
5	A3EPPP8L00	Collar		C	1	
6	A3EPPP8N01	Roll		C	2	
7	A3EPPP8P03	Holder		D	1	
8	A3EPPP8J01	Mounting Plate		D	1	
9	A3EPPP9301	Guide		D	1	
10	A3EPPP8R01	Plate Spring		D	1	
11	A3EPPP8Q02	Holder		D	1	
12	A3EPPP8S00	Timing Belt		C	1	
13	A3EPPP8V01	Gear		C	1	
14	A3EPPP8T00	Timing Belt		C	1	
15	A3EPPP9200	Shaft		D	1	
16	A3EPPP8X02	Knob		C	1	
17	A108M50100	Photointerrupter		B	2	
18	A3EPPP8H05	Holder		D	1	
19	A3EPPP8U00	Shaft		D	1	
20	A3EPPP8M03	Shaft		D	2	
21	A3EPPP9402	Plate		D	1	
22	A3EPPPCX00Old	Mounting Plate		D	1	
22	A3EPPPCX01	Mounting Plate		D	1	
23	A3EPPP9104	Motor		C	1	
25	A3EPPPBY00	Wire Harness Assy		D	1	
26	A3EPPPCB00	Wire Harness Assy		D	1	
27	A3EPPPCA01	Wire Harness Assy		D	1	
28	A3EPPCC01	Wire Harness Assy		D	1	
30	9J08P00100	STAPLE CARTRIDGE		C	1	


PAPER EXIT SECTION

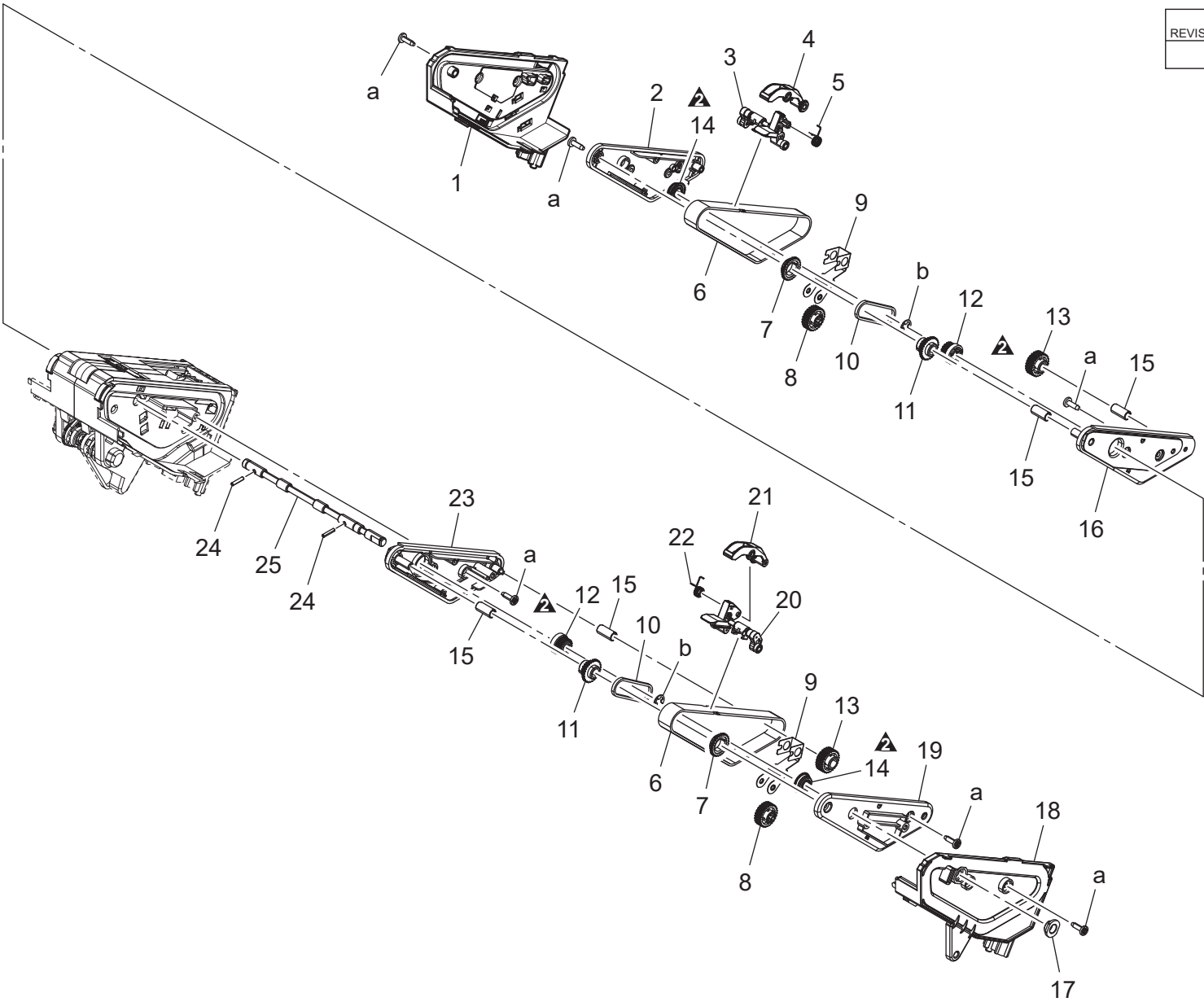
改訂版 REVISED EDITION	日付 DATE
	JULY 2016



PAPER EXIT SECTION

P 11

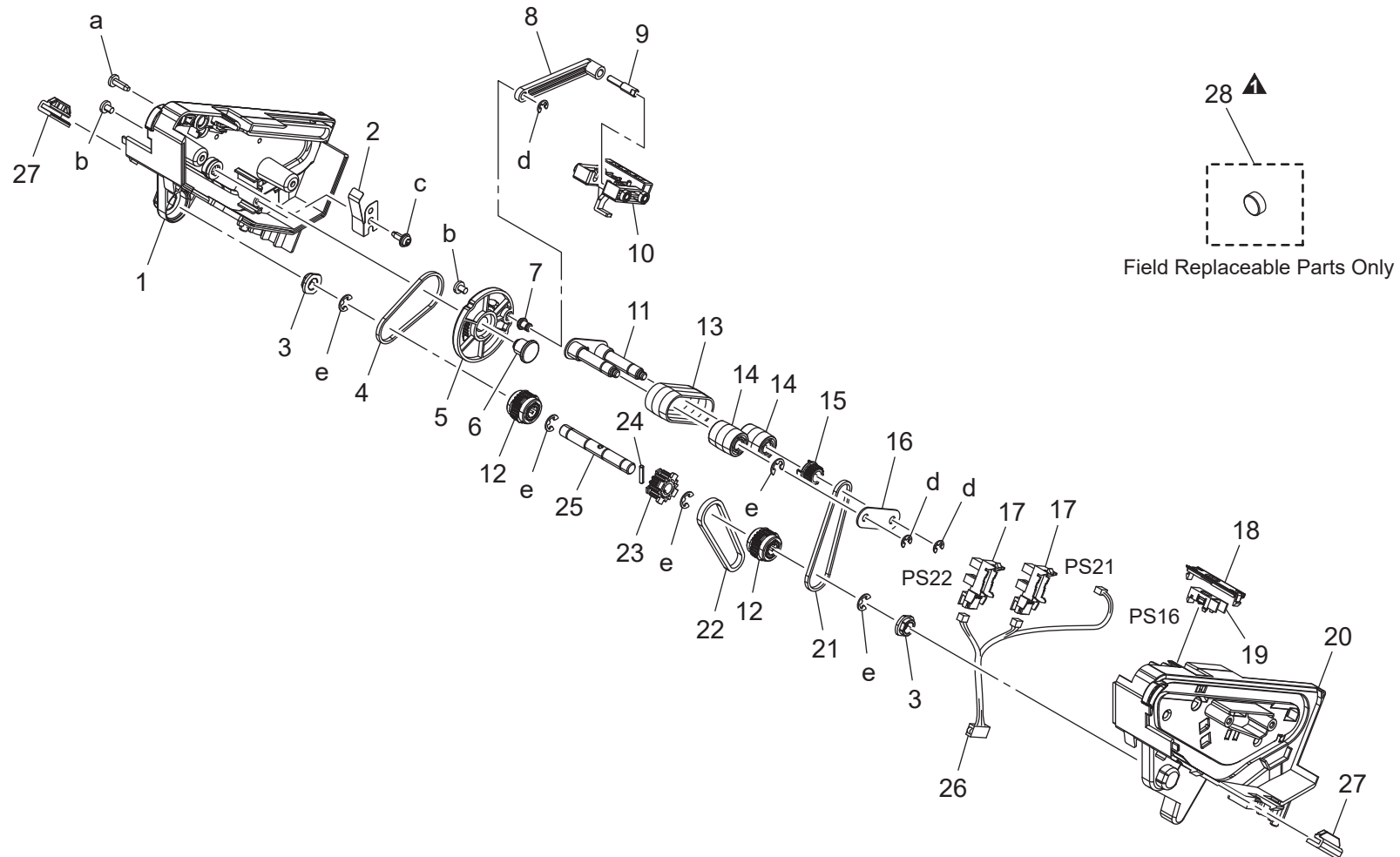
改訂版 REVISED EDITION	日付 DATE
	JULY 2016



Key	Part No.	Description	Destinations	Class	QTY	Standard parts
1	A3EPPP7N04	Frame		D	1	a-A3EPPPB501 b-V217040001
2	A3EPPP7K00Old	Frame		D	1	
2	A3EPPP7K01	Frame		D	1	
3	A3EPPPAJ00	Holder Assy		C	1	
4	A3EPPPAN00	Arm		C	1	
5	A3EPPP7V01	Torsion Coil spring		C	1	
6	A3EPPP7H00	Timing Belt		C	2	
7	A3EPPP7A01	Pulley		C	2	
8	A3EPPP7G00	Pulley		C	2	
9	A3EPPP7F01	Bracket		D	2	
10	A3EPPP7E00	Timing Belt		C	2	
11	A3EPPP7B04	Pulley		C	2	
12	A3EPPP7C04	Pulley		C	2	
13	A3EPPP7D00	Pulley		C	2	
14	A3EPPPAT00	Ball Bearing		C	2	
15	A3EPPP7900	Shaft		C	4	
16	A3EPPP7803Old	Frame		D	1	
16	A3EPPP7804	Frame		D	1	
17	A3EPPP1300	Bushing		D	1	
18	A3EPPP7M04	Frame		D	1	
19	A3EPPP7J01Old	Frame		D	1	
19	A3EPPP7J02	Frame		D	1	
20	A3EPPPAK00	Belt Assy		C	1	
21	A3EPPPAP00	Arm		C	1	
22	A3EPPP7U01	Torsion Coil spring		C	1	
23	A3EPPP7701Old	Frame		D	1	
23	A3EPPP7702	Frame		D	1	
24	A3EPPPAQ01	Pin		D	2	
25	A3EPPP7L02Old	Shaft		D	1	
25	A3EPPP7L03	Shaft		D	1	

PAPER EXIT SECTION

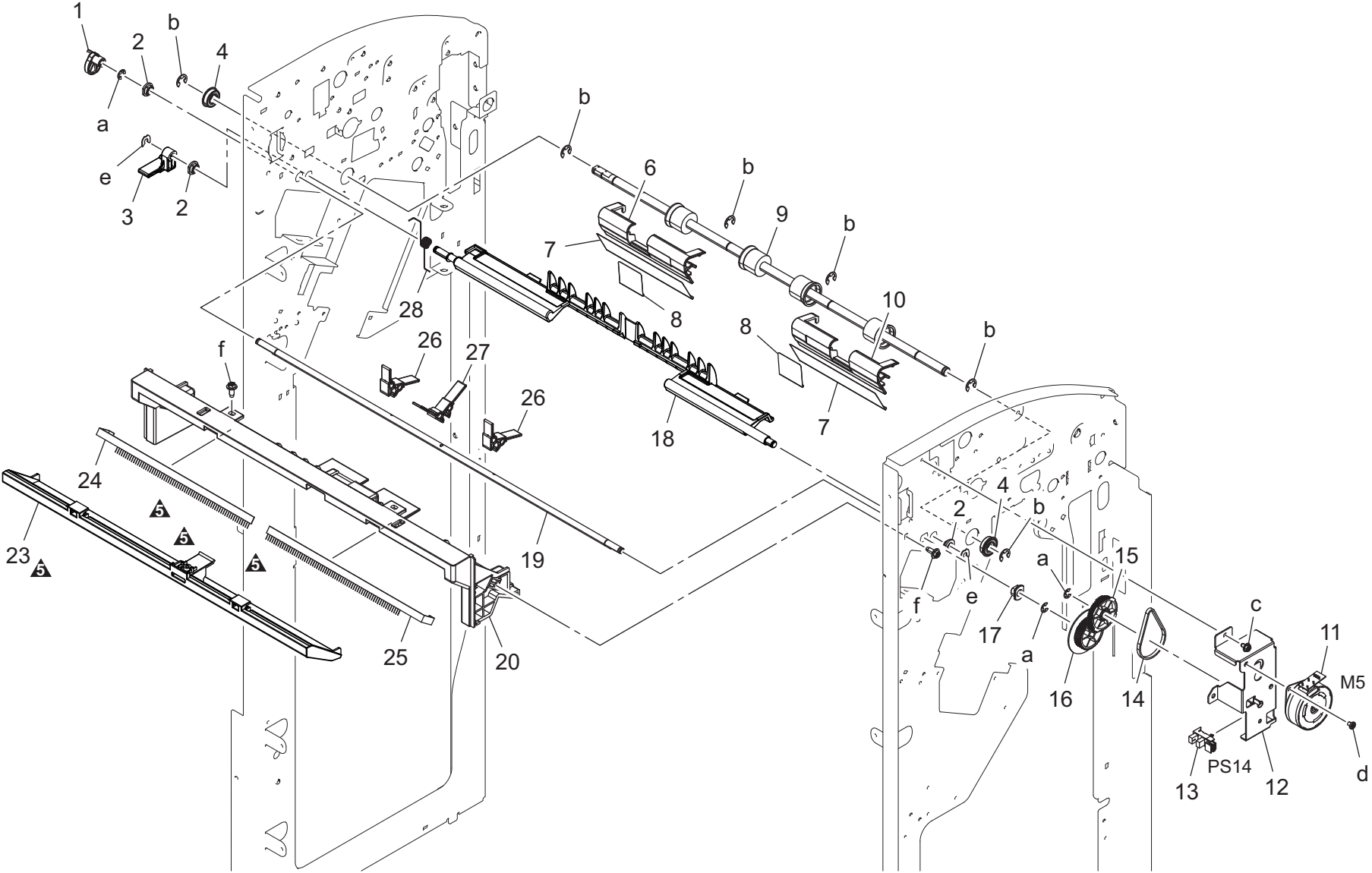
改訂版 REVISED EDITION	日付 DATE
▲	MARCH 2013



Key	Part No.	Description	Destinations	Class	QTY	Standard parts
1	A3EPPP7303	Frame		D	1	a-A3EPPPB501 b-A3EPPPAY01 c-A3EPPPBA01 d-V217030001 e-V217040001
2	A3EPPP8301	Plate Spring		C	1	
3	A3EPPP1300	Bushing		D	2	
4	A3EPPP8A00	Timing Belt		C	1	
5	A3EPPP6U01	Pulley		C	1	
6	A3EPPP6X00	Pin		D	1	
7	A3EPPP6V01	Hinge		D	1	
8	A3EPPP6R01	Arm		C	1	
9	A3EPPP6Q00	Pin		C	1	
10	A3EPPPAM00	Drum		C	1	
11	A3EPPP8D02	Adjusting Plate Assy		D	1	
12	A87HPP7500	Pulley 25T		C	2	
13	A3EPPP8701	Belt		C	1	
14	A3EPPP8601	Roll		C	2	
15	A3EPPP8900	Pulley		C	1	
16	A3EPPP8802	Bracket		D	1	
17	A108M50100	Photointerrupter		B	2	
18	A3EPPP8C01	Cover		C	1	
19	A0EDM50100	Photorelector		I	1	
20	A3EPPP7203	Frame		D	1	
21	A3EPPP8B00	Timing Belt		C	1	
22	A3EPPP7100	Timing Belt		C	1	
23	A3EPPP7002	Pulley		C	1	
24	A3EPPPAQ01	Pin		D	1	
25	A3EPPP6Y01	Shaft		D	1	
26	A3EPPP8C01	Wire Harness Assy		D	1	
27	A3EPPPD800	Guide		D	2	
28	A3EPPPDH00	Magnet		C	1	


COMPILE SECTION

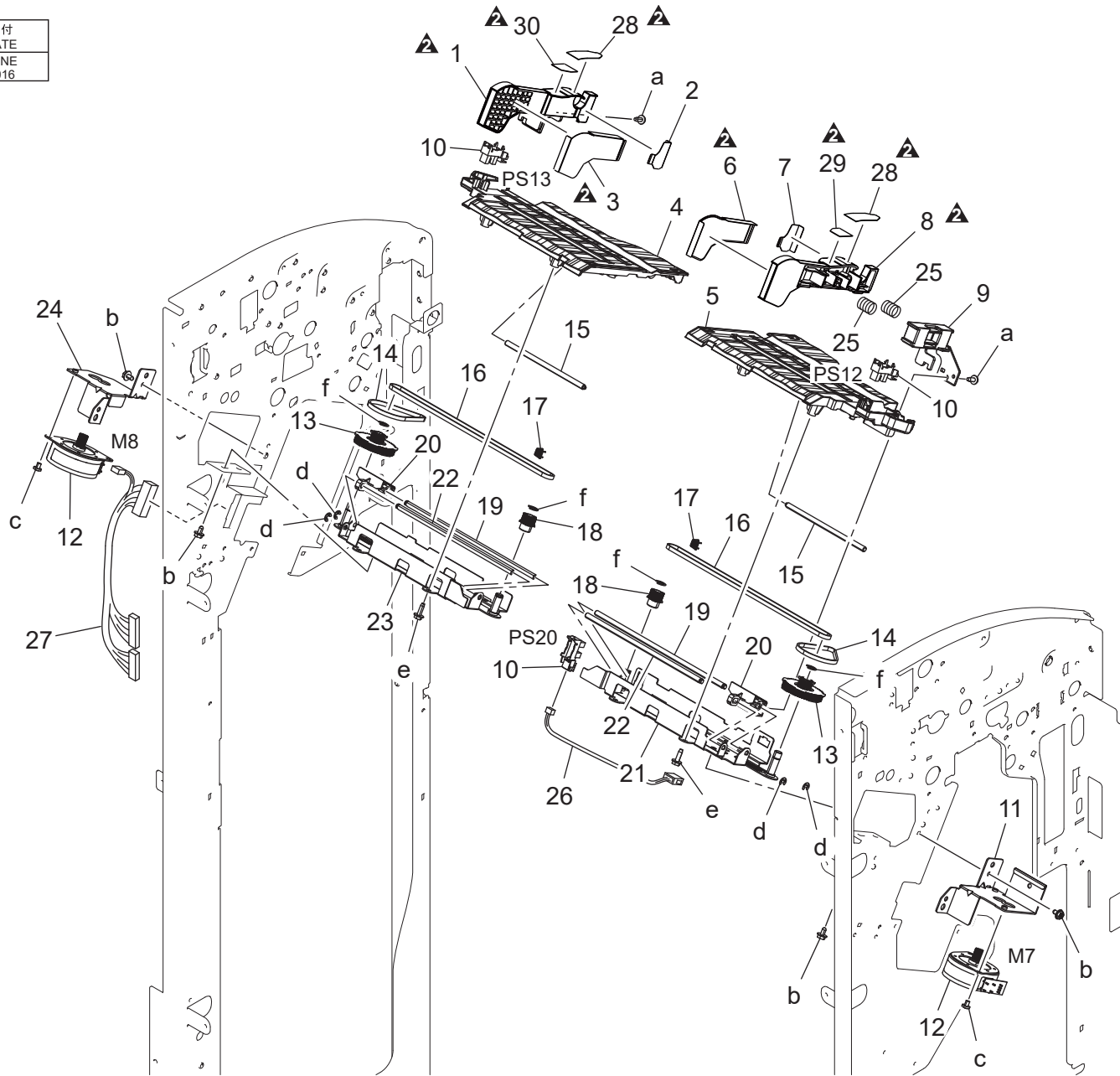
改訂版 REVISED EDITION	日付 DATE
NOVEMBER 2017	



Key	Part No.	Description	Destinations	Class	QTY	Standard parts
1	A3EPPP5E01	Cam		C	1	a-V217040001 b-V217060001 c-V144030603 d-A3EPPPAY01 e-V218040086 f-A3EPPPB401 g-A3EPPPB901
2	A87GPP0000	Bushing		D	3	
3	A3EPPP5G04Old	Actuator		C	1	
3	A3EPPP5G05	Actuator		C	1	
4	A00V240600	Ball Bearing		B	2	
6	A3EPPP6B01	Guide Plate		C	1	
7	A3EPPP6M02	Film		C	2	
8	A3EPPP6K01	Film		C	2	
9	A3EPPP4H03Old	Roller		C	1	
9	A3EPPP4H04	Roller		C	1	
10	A3EPPP6A01	Guide Plate		C	1	
11	A3EPPP5500	Motor Assy		C	1	
12	A3EPPPCS00	Bracket		D	1	
13	A108M50100	Photointerrupter		B	1	
14	A3EPPP5H00	Timing Belt		C	1	
15	A3EPPP6C02	Gear		C	1	
16	A3EPPP5B01	Gear		C	1	
17	A3EPPP1101	Bushing		D	1	
18	A3EPPP5F03	Guide Plate		D	1	
19	A3EPPP5801	Shaft		D	1	
20	A3EPPP5J02	Guide Plate		C	1	
23	A3EPPP6801Old	Guide		D	1	
23	A3EPPP6802	Guide		D	1	
24	A3EPPP6N01	Neutralizing Brush		C	1	
25	A3EPPP6P01	Neutralizing Brush		C	1	
26	A3EPPPD301	Paddle Assy		A	2	
27	A3EPPPD401	Paddle Assy		A	1	
28	A3EPPP6000	Torsion Coil spring		C	1	


COMPILE SECTION

改訂版 REVISED EDITION	日付 DATE
	JUNE 2016

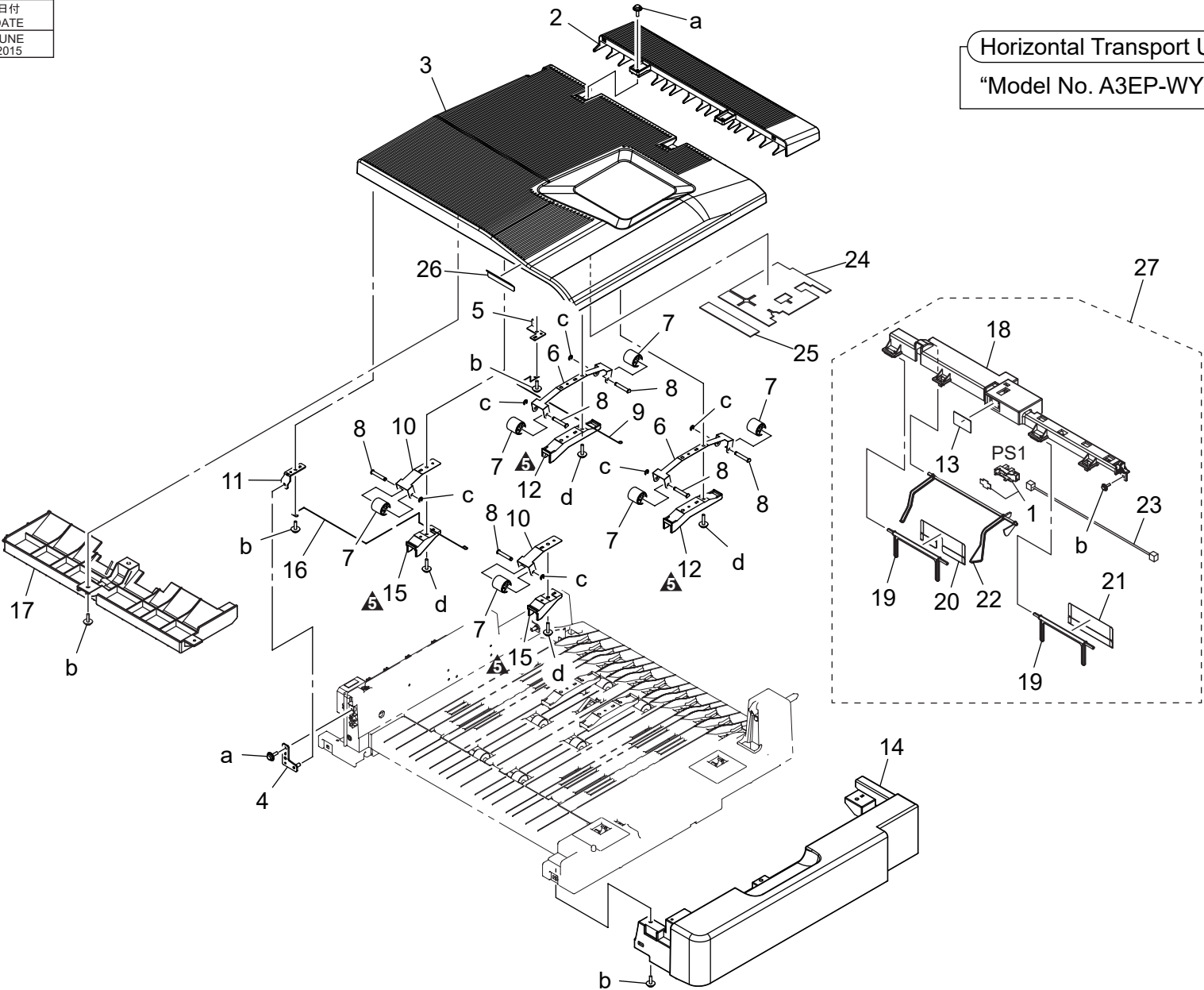


Key	Part No.	Description	Destinations	Class	QTY	Standard parts
1	A3EPPP6301Old	Regulating Plate		C	1	a-A3EPPPBA01 b-V144030603 c-A3EPPPAY01 d-V217030001 e-A3EPPPB301 f-V217040001
1	A87GPP1100	Guide		C	1	
2	A3EPPP6501	Reinforce Plate		C	1	
3	A3EPPP6401Old	Reinforce Plate		C	1	
3	A87GPP0701	Guide		C	1	
4	A3EPPP6201	Cover		C	1	
5	A3EPPP5U01	Cover		C	1	
6	A3EPPP5V01Old	Reinforce Plate		C	1	
6	A87GPP0601	Guide		C	1	
7	A3EPPP5X01	Reinforce Plate		C	1	
8	A3EPPP5P01Old	Regulating Plate		C	1	
8	A87GPP1000	Guide		C	1	
9	A3EPPP5N01	Cover		C	1	
10	A108M50100	Photointerrupter		B	3	
11	A3EPPP5Y01	Bracket		D	1	
12	A3EPPP5500	Motor Assy		C	2	
13	A3EPPP5R01	Pulley		C	2	
14	A3EPPP5C00	Timing Belt		C	2	
15	A3EPPP6J00	Shaft		D	2	
16	A3EPPP5Q00	Timing Belt		C	2	
17	A3EPPP6701	Torsion Coil spring		C	2	
18	A3EPPP5T02	Pulley		C	2	
19	A3EPPP5K00	Shaft		D	2	
20	A3EPPP5M01	Drum		C	2	
21	A3EPPPCT00	Frame		D	1	
22	A3EPPP5L00	Shaft		D	2	
23	A3EPPP5CU00	Frame		D	1	
24	A3EPPP6601	Bracket		D	1	
25	A3EPPPBM01	Pressure Spring		C	2	
26	A3EPPP5C700	Wire Harness Assy		D	1	
27	A3EPPP5C001	Wire Harness Assy		D	1	
28	A3EPPP5F700Old	Film	(Model No. A3EP-WY2 /WY3)	D	2	
28	A87GPP0A00	Guide Film	(Model No. A3EP-WY2 /WY3)	D	2	
29	A87GPP0800	Guide		D	1	
30	A87GPP0900	Guide		D	1	

HORIZONTAL TRANSPORT SECTION

改訂版 REVISED EDITION	日付 DATE
	JUNE 2015

Horizontal Transport Unit
 "Model No. A3EP-WY1" Only

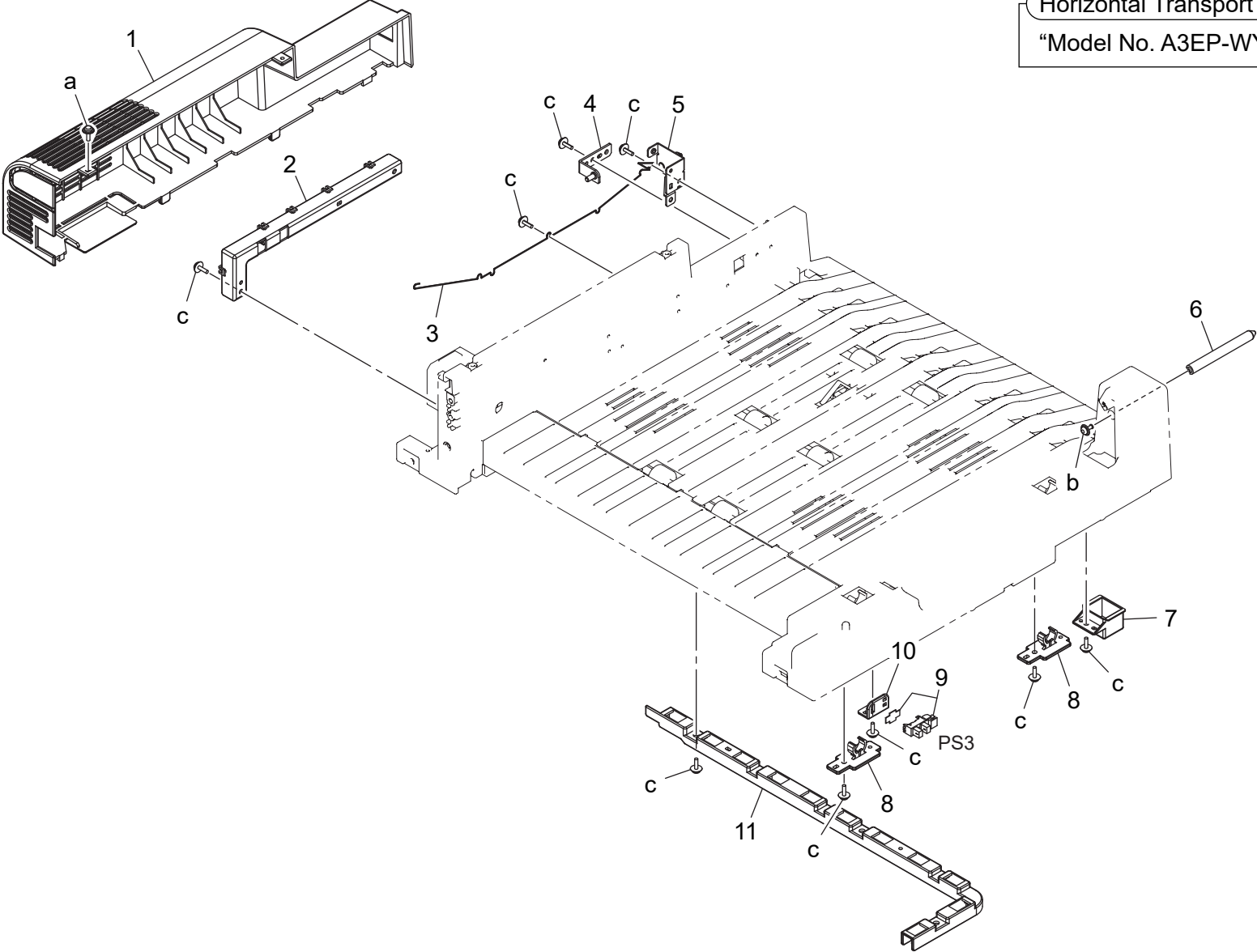


HORIZONTAL TRANSPORT SECTION

Key	Part No.	Description	Destinations	Class	QTY	Standard parts
1	A108R90000	PHOTO INTERRUPTER	フォトインタラプター (Model No. A3EP-WY1	I	1	a-V153030804 b-V153030803 c-V217030001 d-V153031003
2	A3EP820100	Guide /1) (Model No. A3EP-WY1	C	1	
3	A3EP819001	Guide /Upper) (Model No. A3EP-WY1	C	1	
4	A3EP811100	Support Plate /1) (Model No. A3EP-WY1	D	1	
5	A3EP811800	Support Plate /4) (Model No. A3EP-WY1	D	1	
6	A3EP812500	Idler Plate spring /2) (Model No. A3EP-WY1	D	2	
7	A0HR212700	Idler Roll /1) (Model No. A3EP-WY1	C	6	
8	A3EP812100	Idler Shaft /1) (Model No. A3EP-WY1	D	6	
9	A3EP814300	Ground Spring /2) (Model No. A3EP-WY1	C	1	
10	A3EP812200	Idler Plate spring /1) (Model No. A3EP-WY1	D	2	
11	A3EP811201	Support Plate /2) (Model No. A3EP-WY1	D	1	
12	A3EP822801	Holding Part /1) (Model No. A3EP-WY1	D	2	
13	A3EP822600	Sheet) (Model No. A3EP-WY1	D	1	
14	A3EP814600	Cover /Front) (Model No. A3EP-WY1	C	1	
15	A3EP822901	Holding Part /2) (Model No. A3EP-WY1	D	2	
16	A3EP814200	Ground Spring /1) (Model No. A3EP-WY1	C	1	
17	A3EP822100	Guide /7) (Model No. A3EP-WY1	C	1	
18	A3EP822201	Holder) (Model No. A3EP-WY1	D	1	
19	A3EP822300	Holding Part /1) (Model No. A3EP-WY1	D	2	
20	A3EP822500	Holding Sheet /2) (Model No. A3EP-WY1	D	1	
21	A3EP822400	Holding Sheet /1) (Model No. A3EP-WY1	D	1	
22	A3EP822701	Lever) (Model No. A3EP-WY1	D	1	
23	A3EPN10200	Sensor Relay harness) (Model No. A3EP-WY1	D	1	
24	A3EP817200	Seal) (Model No. A3EP-WY1	C	1	
25	A3EP817300	Seal) (Model No. A3EP-WY1	C	1	
26	A3EP817100	Guide) (Model No. A3EP-WY1	D	1	
27	A2YVR70100	Sensor Assy) (Model No. A3EP-WY1	D	1	

HORIZONTAL TRANSPORT SECTION

Horizontal Transport Unit
"Model No. A3EP-WY1" Only

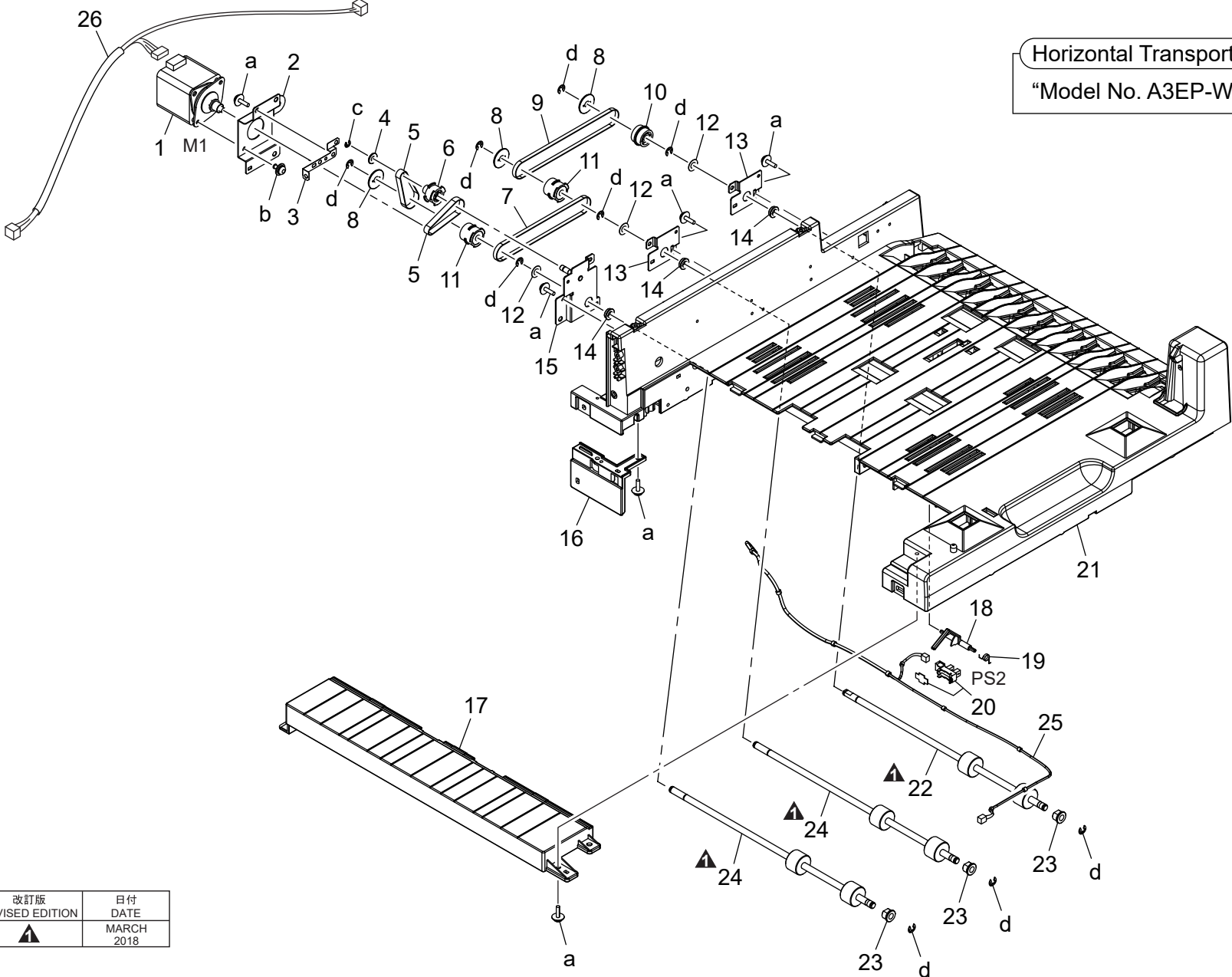


HORIZONTAL TRANSPORT SECTION

Key	Part No.	Description	Destinations	Class	QTY	Standard parts
1	A3EP814701	Cover /Rear カバー／奥	(Model No. A3EP-WY1)	C	1	a-V153030804 b-V121030604 c-V153030803
2	A3EP812000	Regulating Part /1 規制部材／1	(Model No. A3EP-WY1)	D	1	
3	A3EP815500	Ground Spring /3 アースばね／3	(Model No. A3EP-WY1)	C	1	
4	A3EP811700	Support Plate /3 支点板／3 (カシメ)	(Model No. A3EP-WY1)	D	1	
5	A3EP815000	Fixing Plate /3 固定板／3 (カシメ)	(Model No. A3EP-WY1)	D	1	
6	A3EP815200	Positioning Shaft /2 位置決め軸／2	(Model No. A3EP-WY1)	D	1	
7	A3EP821800	Cover Part カバー部材	(Model No. A3EP-WY1)	D	1	
8	A3EP813900	Lock Part /2 ロック部材／2	(Model No. A3EP-WY1)	C	2	
9	A108R90000	PHOTO INTERRUPTER フォトインタラプター	(Model No. A3EP-WY1)	I	1	
10	A0HR701200	Mounting Plate 取付板	(Model No. A3EP-WY1)	D	1	
11	A3EP821600	Regulating Part /3 規制部材／3	(Model No. A3EP-WY1)	D	1	

HORIZONTAL TRANSPORT SECTION

Horizontal Transport Unit
 "Model No. A3EP-WY1" Only



改訂版 REVISED EDITION	日付 DATE
▲	MARCH 2018

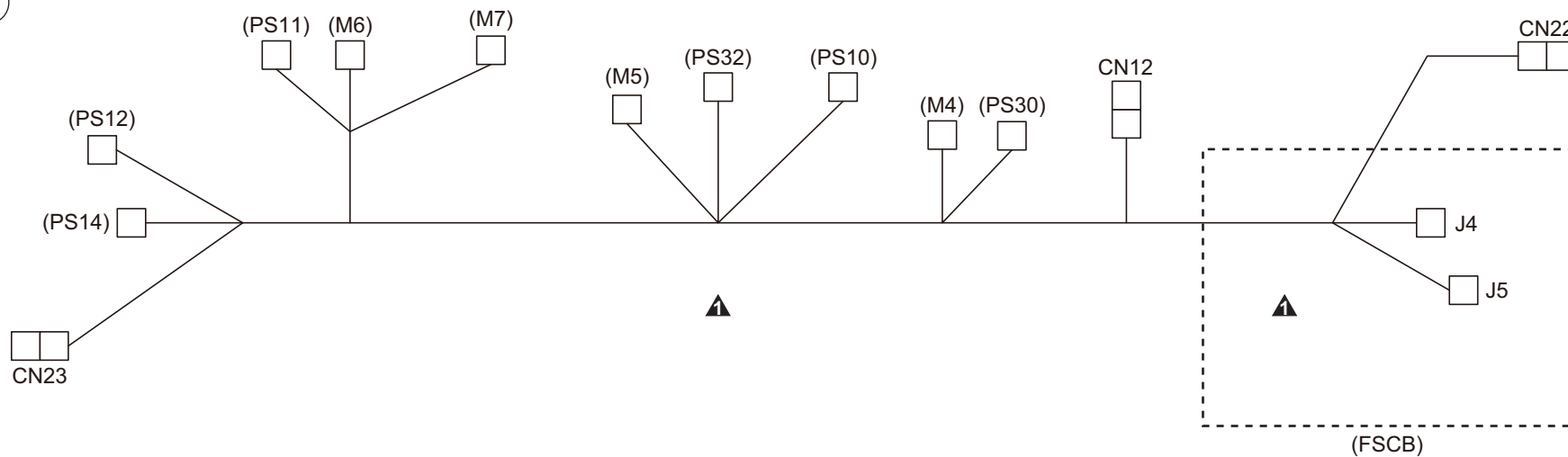
HORIZONTAL TRANSPORT SECTION

Key	Part No.	Description	Destinations	Class	QTY	Standard parts	
1	A0HRM10000	Stepping motor	ステッピングモータ (2相HBモータ)	(Model No. A3EP-WY1)	C	1	a-V153030803 b-V116030603 c-V217030001 d-V217040001
2	A3EP810700	Mounting Plate /1	取付板 / 1	(Model No. A3EP-WY1)	D	1	
3	A3EP815400	Ground Plate /3	アース板 / 3	(Model No. A3EP-WY1)	D	1	
4	A0HR213600	Flange	フランジ	(Model No. A3EP-WY1)	C	1	
5	A0HR213000	Drive Belt /3	駆動ベルト / 3 (B60S2M114)	(Model No. A3EP-WY1)	C	2	
6	A0HR210200	Pulley 14/26T	プーリー 14 / 26 T	(Model No. A3EP-WY1)	C	1	
7	A3EP820300	Belt/3 276L	ベルト / 3 276 L	(Model No. A3EP-WY1)	C	1	
8	A0HR210300	Flange	フランジ	(Model No. A3EP-WY1)	C	3	
9	A0HR210900	Drive Belt /2	駆動ベルト / 2 (B40S2M300)	(Model No. A3EP-WY1)	C	1	
10	A0HR211000	Pulley 28T	プーリー 28 T	(Model No. A3EP-WY1)	C	1	
11	A3EP816200	Drive Pulley/1 28T	駆動プーリー / 1 28 T	(Model No. A3EP-WY1)	C	2	
12	07BA15930	SPACER B	スペーサー B	(Model No. A3EP-WY1)	C	3	
13	A3EP816500	Fixing Plate /5	固定板 / 5	(Model No. A3EP-WY1)	D	2	
14	A00J617800	Ball Bearing	ボールベアリング	(Model No. A3EP-WY1)	B	3	
15	A3EP810800	Fixing Plate /1	固定板 / 1 (カシメ)	(Model No. A3EP-WY1)	D	1	
16	A3EP814800	Fixing Part /2	固定部材 / 2	(Model No. A3EP-WY1)	C	1	
17	A3EP814901	Guide /6	ガイド / 6	(Model No. A3EP-WY1)	C	1	
18	A3EP819801	Actuator	アクチュエータ	(Model No. A3EP-WY1)	C	1	
19	A3EP821700	Sensor Spring /1	センサばね / 1	(Model No. A3EP-WY1)	C	1	
20	A108R90000	PHOTO INTERRUPTER	フォトインタラプター	(Model No. A3EP-WY1)	I	1	
21	A3EP810002	Guide /Lower	ガイド / 下	(Model No. A3EP-WY1)	D	1	
22	A3EP810601	Roller /1	ローラ / 1	(Model No. A3EP-WY1)	C	1	
23	A3EP822000	Bushing	すべり軸受	(Model No. A3EP-WY1)	D	3	
24	A3EP811501	Roller /2	ローラ / 2	(Model No. A3EP-WY1)	C	2	
25	A3EPN10100	Sensor Relay harness	センサ中継束線 (FS534RU)	(Model No. A3EP-WY1)	D	1	
26	A3EPN10000	I/F Wiring	I / F 束線 (FS534RU)	(Model No. A3EP-WY1)	D	1	

①



②

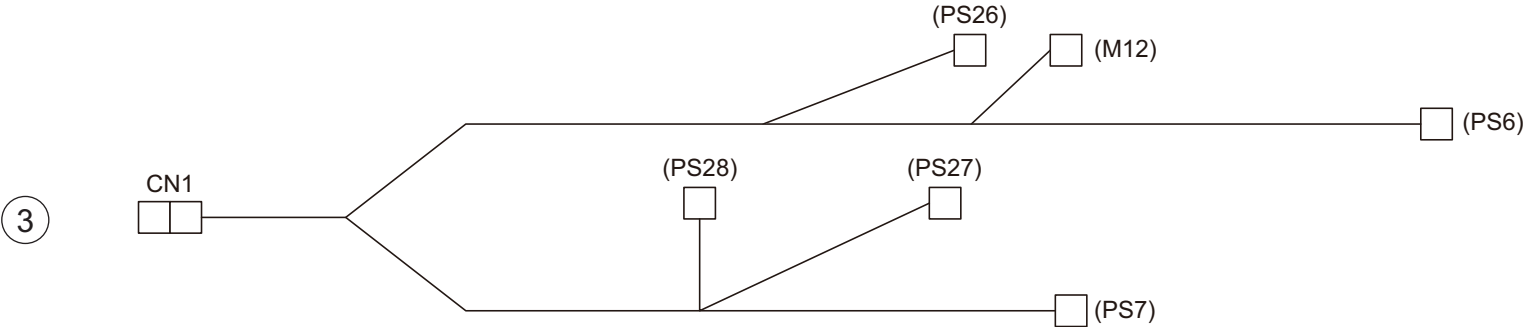
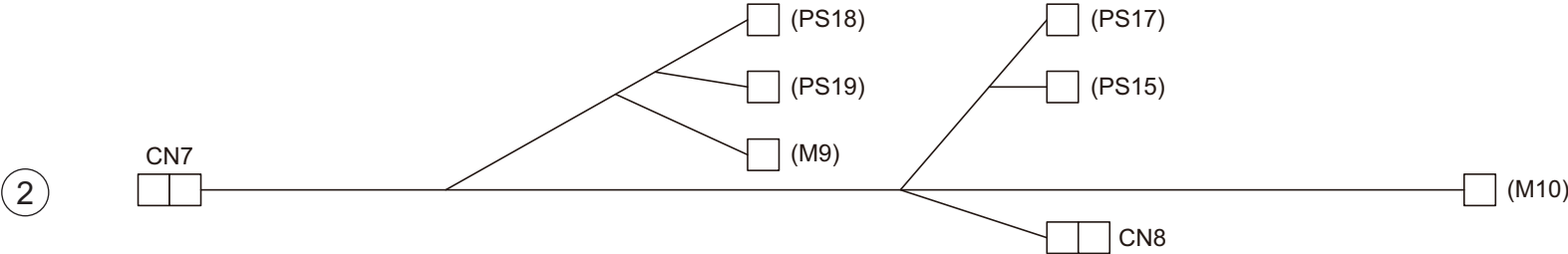


改訂版 REVISED EDITION	日付 DATE
▲	NOVEMBER 2017

WIRING

Key	Part No.	Description	Destinations	Class	QTY	Standard parts
1	A3EPPPBF02	Harness Assy		D	1	
2	A3EPPPBU02Old	Wire Harness Assy		D	1	
2	A3EPPPBU04	Wire Harness Assy		D	1	

WIRING

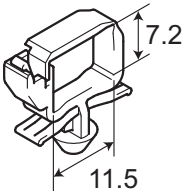
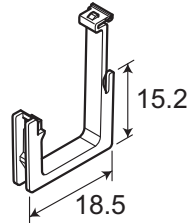
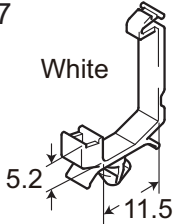
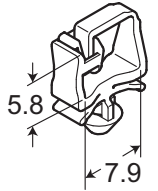
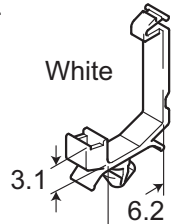
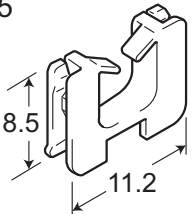


WIRING

Key	Part No.	Description	Destinations	Class	QTY	Standard parts
1	A3EPPPBX01	Wire Harness Assy ハーネス A S S Y		D	1	
2	A3EPPPC901	Wire Harness Assy ハーネス A S S Y		D	1	
3	A3EPPPCM01	Wire Harness Assy ハーネス A S S Y		D	1	

WIRING ACCESSORIES AND JIGS

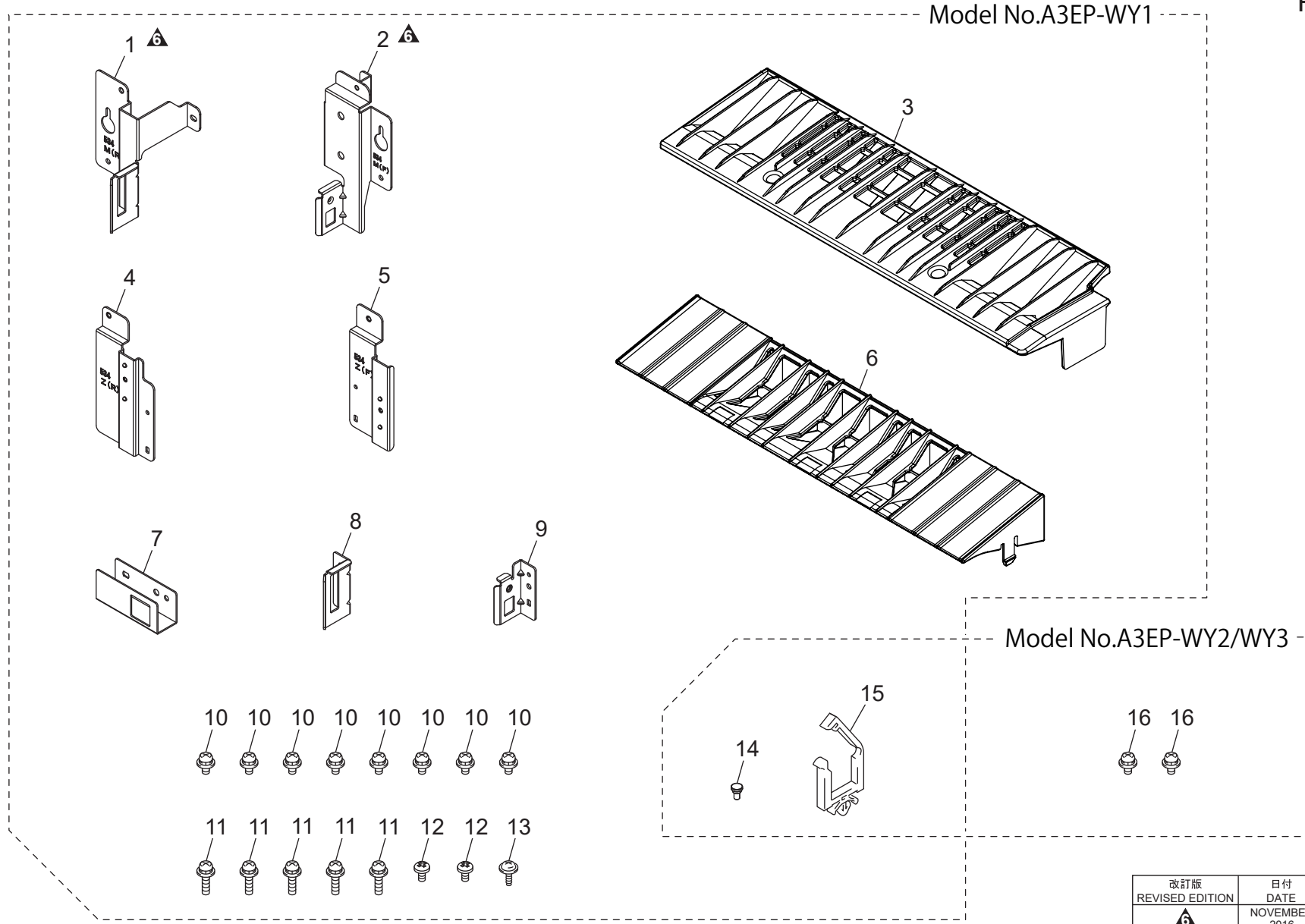
P 20

1 	6 	11	16	21	26	31	36
2	7 White 	12	17	22	27	32	37
3 	8	13	18	23	28	33	38
4 White 	9	14	19	24	29	34	39
5 	10	15	20	25	30	35	40

WIRING ACCESSORIES AND JIGS

Key	Part No.	Description	Destinations	Class	QTY	Standard parts
1	V500010082	Locking Wire Saddle		D		
3	V500020098	Mini Locking wire saddle		D		
4	V500020099	Mini Locking wire saddle		D		
5	V570010021	Saddle		D		
6	V570010026	Locking Edge Saddle		D		
7	V500010081	Locking Wire Saddle		D		

ACCESSORY PARTS



改訂版 REVISED EDITION	日付 DATE
	NOVEMBER 2016

ACCESSORY PARTS

Key	Part No.	Description	Destinations	Class	QTY	Standard parts
1	A3EP115101	Mounting Plate /Rear 取付板／後	(Model No. A3EP-WY1)	D	1	
2	A3EP115002	Mounting Plate /Front 取付板／前	(Model No. A3EP-WY1)	D	1	
3	A3EP810501	Guide /3 ガイド／3	(Model No. A3EP-WY1)	C	1	
4	A3EP116500	Mounting Plate /Rear 取付板／後	(Model No. A3EP-WY1)	D	1	
5	A3EP116400	Mounting Plate /Front 取付板／前	(Model No. A3EP-WY1)	D	1	
6	A3EP810401	Guide /2 ガイド／2	(Model No. A3EP-WY1)	C	1	
7	A3EP957100	Mounting Plate 取付板	(Model No. A3EP-WY1)	D	1	
8	A3EPPP1C01	Mounting Plate 取付板	(Model No. A3EP-WY1)	D	1	
9	A3EPPP1D01	Mounting Plate 取付板	(Model No. A3EP-WY1)	D	1	
10	V116040803	Screw なべ小ねじ・セムス2	(Model No. A3EP-WY1)	V	8	
11	V116031603	Screw なべ小ねじ・セムス2	(Model No. A3EP-WY1)	V	5	
12	V118030603	Screw バインド小ねじ	(Model No. A3EP-WY1)	V	2	
13	V153030803	Screw カップ頭タッピンねじ B タイト	(Model No. A3EP-WY1)	V	1	
14	A02E193400	Shoulder screw 段ねじ (パネルロック)		C	1	
15	A3EPPDB00	Wire Saddle ワイヤーサドル		D	1	
16	V116040803	Screw なべ小ねじ・セムス2	(Model No. A3EP-WY2 WY3)	V	2	

MAINTENANCE LIST

● The items with no Page/Key numbers are not handled as spare parts.

No.	Section	PM Parts Description	Maintenance Cycle (K=1,000)		Parts No.	Destinations	Page/Key	Note
			QTY	Replace				
1	FS-534	Paddle unit	2	2000K *1	A3EPPPD301		P13-26	
2		Paddle unit	1	2000K *1	A3EPPPD401		P13-27	

*1: Actual durable cycle (life counter value)

メンテナンスリスト

● ページ / キーナンバーのないものは、アフターサービス部品ではありません。

No.	区分	PM 部品名称	サイクル (K=1,000)		部品番号	仕向地	頁 / キー	備考
			員数	交換				
1	FS-534	パドルユニット	2	2000K *1	A3EPPPD301		P13-26	
2		パドルユニット	1	2000K *1	A3EPPPD401		P13-27	

*1: 実質交換サイクル値 (ライフカウンター値)

DESTINATION

Destination No.		Destinations		V	Hz	Model No.
A	A1	JAPAN		100	50/60	A3EPWY1/ A3EPWY2
	A2	JAPAN				
B		USA, CANADA		120	60	A3EPWY1/ A3EPWY2/ A3EPWY3
C		EUROPEAN TYPE		220-240	50/60	A3EPWY1/ A3EPWY2
D	D1	S.E ASIA TYPE	THAILAND, SRI LANKA, SINGAPORE, MALAYSIA, HONG KONG, PAKISTAN, INDIA, BANGLADESH, INDONESIA	220-240	50/60	A3EPWY1/ A3EPWY2
	D3	OCEANIA TYPE	AUSTRALIA, NEW ZEALAND	220-240	50/60	A3EPWY1/ A3EPWY2
E		PHILIPPINES		220-240	50/60	A3EPWY1/ A3EPWY2
F	F1	SAUDI ARABIA				
	F2	SAUDI ARABIA		220-240	50/60	A3EPWY1/ A3EPWY2
G	G1	C.S AMERICA		220-240	50/60	A3EPWY1/ A3EPWY2
	G2	C.S AMERICA		120	60	A3EPWY1/ A3EPWY2
H		TAIWAN		110	60	A3EPWY1
I		JORDAN, LEBANON, SYRIA, SOUTH AFRICA, IRAQ, IRAN, N.YEMEN, CAMEROON, UAE, BAHRAIN, OMAN, QATAR, KUWAIT, KENYA, TUNISIA, IVORY COAST, MOROCCO		220-240	50/60	A3EPWY1/ A3EPWY2

Destination No.	Destinations	V	Hz	Model No.
J	CHINA	220-240	50/60	A3EPWY1
K	KOREA	220-240	50/60	A3EPWY1