

KONICA MINOLTA

# *PARTS GUIDE MANUAL*

---

*DECEMBER 2017*

*FS-536SD*  
*A87GWYA*

## INFORMATION FOR PARTS GUIDE MANUAL

To find correct Parts No., refer to the "HOW TO MAKE THE BEST USE OF THIS MANUAL" in the following page.

### HOW TO MAKE THE BEST USE OF THIS MANUAL

- 1 When you order, please check the proper figures beforehand that are on Our Parts Guide Manual, and order with the appropriate figures.
- 2 For screws, Nuts, Washers, retaining rings and Pins which are used in this model, one letter is shown on the Standard parts column of Parts list and exploded diagrams.
- 3 In order to maintain safety of the product, some specific parts composed of this product are set up as "essential safety parts".
- 4 The assigned parts number for the "essential safety parts" is indicated as "SP00-\*\*\*\*".  
When replacing these parts, follow precautions for disassembling and installing which are listed in the Service Manual.  
Do not use any parts that are not set up as
- 5 ♣ means that there are exclusive parts for each destination.  
Please check the appropriate destination when you order.
- 6 Revision Mark  
Marked as ▲ on the illustration shows that the revision has been made.
- 7 All rights reserved. (any reprints or quotations are prohibited.)  
Use of this parts guide manual should be strictly supervised to avoid disclosure of confidential information.

## パーツガイドマニュアルのご案内

サービス部品をご発注の際には、下記に示す“パーツガイドマニュアルの活用にあたって”をご参照の上、正しい部品番号にてお願い致します。

### パーツガイドマニュアルの活用にあたって

- 1 部品発注の際には、掲載されている部品番号の桁数を確認し、掲載されている桁数で発注願います。
- 2 この製品に使用されているネジ、ナット、ワッシャー、止め輪、ピンなどは、リストの右側の Standard parts 欄に a,b,c,…… で表示し、イラストにも a,b,c,…… 表示してあります。
- 3 製品の安全性を維持する為に、製品に使用される特定の部品を「重要保安部品」として設定しています。
- 4 重要保安部品の部品番号は、“SP00-\*\*\*\*”と記載されていますので、部品交換時は、サービスマニュアル記載の分解・組み立ての注意事項に従って作業をして下さい。  
また、指定以外の部品は一切使用しないで下さい。
- 5 本文に ♣ が表示されている部品は、仕向け地毎に専用部品がある事を意味しています。  
オーダーされる時は、仕向け地を確認して下さい。
- 6 改訂記号について  
イラスト上に ▲ 印が表示されている部分は、改訂された事を表します。
- 7 著作権所有（無断転載及び無断引用の禁止）  
本パーツガイドマニュアルについては、機密保持等その扱いには十分注意して下さい。万一取り扱いを誤った場合には、法律で処罰されることがあります。

# CONTENTS

No.	DESCRIPTION	名称	PAGE No.
1	EXTERNAL PARTS	外装部	P1
2	FRAME SECTION	フレーム部	P2
3	PAPER TRANSPORT SECTION	搬送部	P3 P4 P5 P6
4	PAPER EXIT TRAY SECTION	排紙トレイ部	P7 P8
5	STAPLER SECTION	ステープル部	P9
6	ALIGNMENT SECTION	整合部	P10 P11 P12 P13 P14
7	EXTERNAL PARTS	外装部	P15
8	FRAME SECTION	フレーム部	P16
9	REAR FRAME SECTION	後フレーム部	P17
10	PAPER CEASE SECTION	紙折り部	P18 P19 P20
11	PAPER TRANSPORT SECTION	搬送部	P21
12	STAPLER SECTION	ステープラ部	P22
13	ALIGNMENT SECTION	整合部	P23 P24
14	PAPER EXIT TRAY SECTION	排紙トレイ部	P25
15	WIRING	束線	P26 P27 P28 P29
16	WIRING ACCESSORIES AND JIGS	配線部品・治具	P30

# INDEX

Parts No.	Page No.
1033440203	3-35
4030104002	2-7
4030104002	3-36
4030104002	5-18
4425337201	20-10
9J06M60100	2-17
9J08P00100	9-29
A00V240600	5-1
A00V240600	13-4
A02E193400	1-19
A02E193400	20-7
A092145400	3-38
A092145400	23-19
A0EDM50100	3-32
A0EDM50100	5-12
A0EDM50100	6-7
A0EDM50100	12-19
A0EDM50100	20-21
A0EDM50100	23-11
A0HR115401	1-5
A0HR115401	2-19
A0HR116000	2-20
A0HR213100	4-19
A0TK341200	8-1
A108M50100	2-14
A108M50100	3-30
A108M50100	4-22
A108M50100	7-17
A108M50100	8-25
A108M50100	9-17
A108M50100	10-8
A108M50100	12-17
A108M50100	13-13
A108M50100	14-10
A108M50100	18-11
A108M50100	19-18
A108M50100	21-6
A108M50100	23-12
A108M50100	24-23
A108M50100	25-18

Parts No.	Page No.
A10D427300	25-11
A10DM20000	24-13
A10DP00100	22-9
A1RF529300	19-13
A3EP116100	2-21
A3EP560100	9-2
A3EPPP1001	4-21
A3EPPP1101	4-16
A3EPPP1101	13-17
A3EPPP1101	18-13
A3EPPP1101	19-19
A3EPPP1101	21-1
A3EPPP1101	23-3
A3EPPP1201	8-18
A3EPPP1201	18-19
A3EPPP1201	19-12
A3EPPP1201	20-18
A3EPPP1300	7-14
A3EPPP1300	11-17
A3EPPP1300	12-3
A3EPPP1300	21-10
A3EPPP1400	3-3
A3EPPP1400	20-13
A3EPPP1501	5-2
A3EPPP1501	6-15
A3EPPP1501	8-16
A3EPPP1A01	3-10
A3EPPP1E03	6-16
A3EPPP1F03	2-6
A3EPPP1J05	2-11
A3EPPP1K03	1-7
A3EPPP1L02	1-13
A3EPPP1M04	1-12
A3EPPP1N00	1-11
A3EPPP1S03	1-3
A3EPPP1T04	2-10
A3EPPP1V02	2-18
A3EPPP1X02	2-16
A3EPPP1Y01	1-16
A3EPPP1Y01	8-12

Parts No.	Page No.
A3EPPP2201	2-15
A3EPPP2301	1-10
A3EPPP2600	2-8
A3EPPP2600	7-19
A3EPPP2600	25-4
A3EPPP2700	2-1
A3EPPP2700	7-21
A3EPPP2700	25-5
A3EPPP2803	6-13
A3EPPP2901	6-11
A3EPPP2A02	6-17
A3EPPP2B02	5-6
A3EPPP2D02	4-2
A3EPPP2E02	6-28
A3EPPP2F02	5-16
A3EPPP2H01	4-23
A3EPPP2J01	3-5
A3EPPP2K02	5-21
A3EPPP2K03	5-21
A3EPPP2L03	6-31
A3EPPP2M01	3-31
A3EPPP2N02	2-3
A3EPPP2P01	3-14
A3EPPP2Q02	3-11
A3EPPP2R01	4-7
A3EPPP2R01	6-32
A3EPPP2T02	5-11
A3EPPP2U01	5-14
A3EPPP2V01	4-15
A3EPPP2X01	5-3
A3EPPP2Y02	6-21
A3EPPP3001	5-24
A3EPPP3104	6-22
A3EPPP3201	3-26
A3EPPP3306	6-23
A3EPPP3402	4-25
A3EPPP3500	5-23
A3EPPP3501	5-23
A3EPPP3603	6-24
A3EPPP3702	5-9

Parts No.	Page No.
A3EPPP3702	6-1
A3EPPP3702	21-3
A3EPPP3800	4-4
A3EPPP3901	3-6
A3EPPP3A02	4-27
A3EPPP3B02	4-24
A3EPPP3C00	4-14
A3EPPP3D02	4-17
A3EPPP3E01	6-5
A3EPPP3F01	3-2
A3EPPP3H01	6-8
A3EPPP3J00	3-1
A3EPPP3K03	3-8
A3EPPP3L02	3-13
A3EPPP3M00	3-4
A3EPPP3N00	3-24
A3EPPP3P01	3-22
A3EPPP3Q00	3-18
A3EPPP3R02	3-16
A3EPPP3S00	6-10
A3EPPP3T01	5-10
A3EPPP3U00	6-25
A3EPPP3V01	5-25
A3EPPP3X00	3-12
A3EPPP3Y01	6-26
A3EPPP4000	6-3
A3EPPP4102	3-17
A3EPPP4202	6-9
A3EPPP4302	5-8
A3EPPP4302	6-2
A3EPPP4400	5-13
A3EPPP4501	6-19
A3EPPP4600	4-26
A3EPPP4701	3-9
A3EPPP4800	5-15
A3EPPP4902	3-7
A3EPPP4A02	6-27
A3EPPP4B00	5-26
A3EPPP4C01	2-4
A3EPPP4D04	6-14

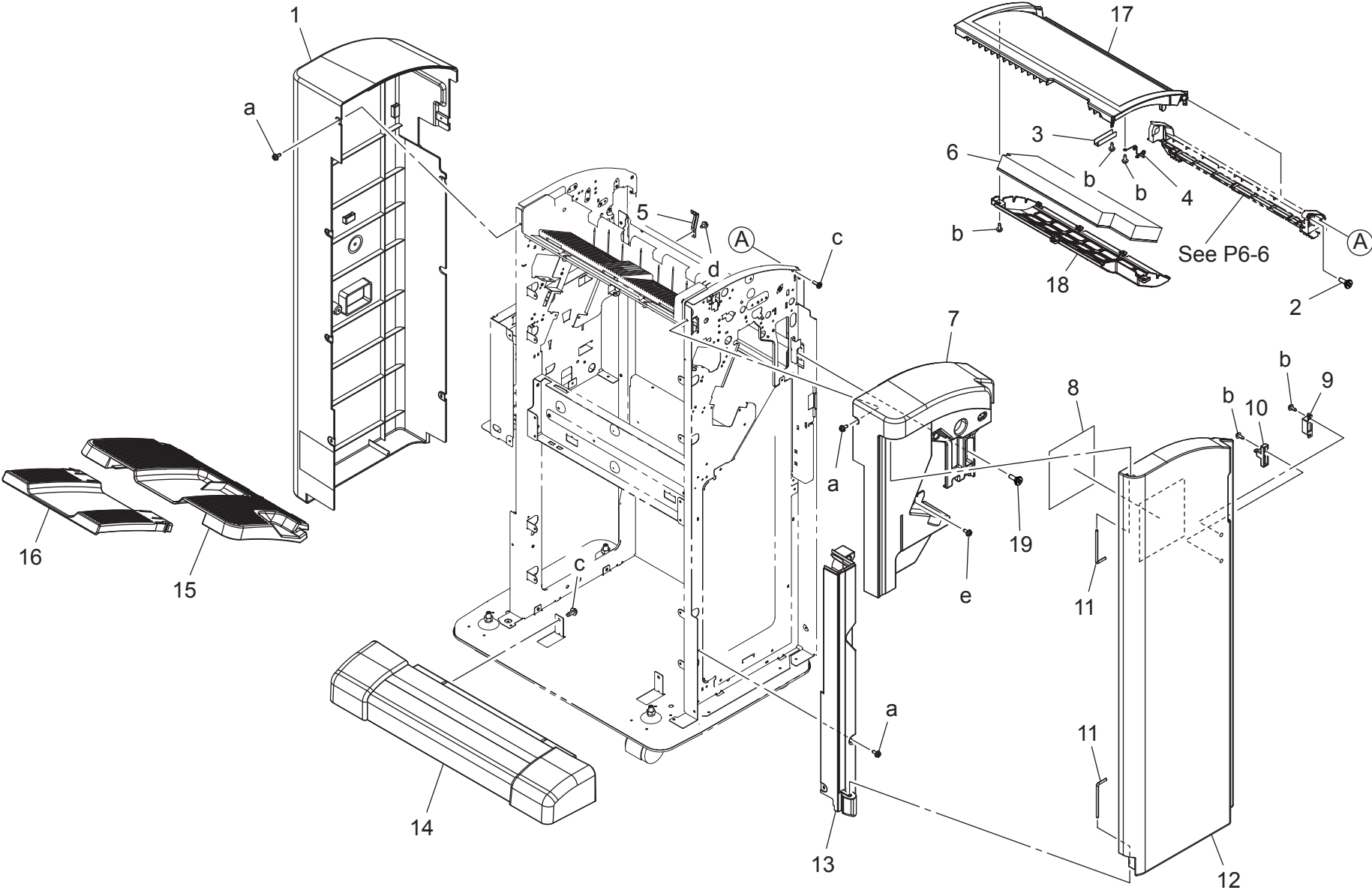
Parts No.	Page No.
A3EPPP4E04	5-17
A3EPPP4F04	5-7
A3EPPP4G15	5-20
A3EPPP4K00	4-13
A3EPPP4L00	4-11
A3EPPP4M00	4-8
A3EPPP4N00	4-12
A3EPPP4P00	4-5
A3EPPP4Q00	4-10
A3EPPP4S01	5-5
A3EPPP4T02	6-18
A3EPPP4U00	3-25
A3EPPP4U00	4-20
A3EPPP4X01	6-12
A3EPPP4Y01	1-2
A3EPPP4Y01	6-29
A3EPPP5101	6-30
A3EPPP5201	2-5
A3EPPP5302	4-1
A3EPPP5403	3-15
A3EPPP5500	3-29
A3EPPP5500	13-11
A3EPPP5500	14-12
A3EPPP5500	23-21
A3EPPP5600	3-28
A3EPPP5600	19-20
A3EPPP5600	21-20
A3EPPP5600	23-5
A3EPPP5600	24-25
A3EPPP5701	6-20
A3EPPP5B01	13-16
A3EPPP5C00	14-14
A3EPPP5F03	13-18
A3EPPP5G04	13-3
A3EPPP5G05	13-3
A3EPPP5H00	13-14
A3EPPP5J02	13-20
A3EPPP5K00	14-19
A3EPPP5L00	14-22
A3EPPP5M01	14-20

Parts No.	Page No.	Parts No.	Page No.	Parts No.	Page No.	Parts No.	Page No.	Parts No.	Page No.
A3EPPP5N01	14-9	A3EPPP7702	11-23	A3EPPP8N01	9-6	A3EPPPA802	25-7	A3EPPPC101	7-18
A3EPPP5Q00	14-16	A3EPPP7804	11-16	A3EPPP8P03	9-7	A3EPPPA901	7-25	A3EPPPC201	2-23
A3EPPP5R01	14-13	A3EPPP7900	11-15	A3EPPP8Q02	9-11	A3EPPPAA00	7-1	A3EPPPC300	6-34
A3EPPP5T02	14-18	A3EPPP7A01	11-7	A3EPPP8R01	9-10	A3EPPPAB02	7-7	A3EPPPC401	5-4
A3EPPP5U01	14-5	A3EPPP7B04	11-11	A3EPPP8S00	9-12	A3EPPPAC01	7-6	A3EPPPC500	3-33
A3EPPP5X01	14-7	A3EPPP7C04	11-12	A3EPPP8T00	9-14	A3EPPPAD00	7-3	A3EPPPC601	4-30
A3EPPP5Y01	14-11	A3EPPP7D00	11-13	A3EPPP8U00	9-19	A3EPPPAF02	7-24	A3EPPPC700	14-26
A3EPPP6000	13-5	A3EPPP7E00	11-10	A3EPPP8V01	9-13	A3EPPPAG02	7-23	A3EPPPC801	12-26
A3EPPP6201	14-4	A3EPPP7F01	11-9	A3EPPP8X02	9-16	A3EPPPAH00	7-20	A3EPPPC901	27-2
A3EPPP6501	14-2	A3EPPP7G00	11-8	A3EPPP8Y03	9-1	A3EPPPAJ00	11-3	A3EPPPCA01	9-27
A3EPPP6601	14-24	A3EPPP7H00	11-6	A3EPPP9001	9-4	A3EPPPAK00	11-20	A3EPPPCB00	9-26
A3EPPP6701	14-17	A3EPPP7J02	11-19	A3EPPP9104	9-23	A3EPPPAM00	12-10	A3EPPPCCH01	25-21
A3EPPP6801	13-23	A3EPPP7K01	11-2	A3EPPP9200	9-15	A3EPPPAN00	11-4	A3EPPPCCK01	3-37
A3EPPP6802	13-23	A3EPPP7L03	11-25	A3EPPP9301	9-9	A3EPPPAP00	11-21	A3EPPPCCL01	3-34
A3EPPP6A01	13-10	A3EPPP7M03	11-18	A3EPPP9507	7-22	A3EPPPAQ01	4-18	A3EPPPCM01	27-3
A3EPPP6B01	13-6	A3EPPP7N04	11-1	A3EPPP9602	8-8	A3EPPPAQ01	11-24	A3EPPPCP00	1-9
A3EPPP6C02	13-15	A3EPPP7P01	10-6	A3EPPP9901	8-9	A3EPPPAQ01	12-24	A3EPPPCQ00	3-27
A3EPPP6F01	3-23	A3EPPP7R02	10-17	A3EPPP9A02	8-11	A3EPPPAQ01	21-12	A3EPPPCS00	13-12
A3EPPP6G00	3-20	A3EPPP7S00	10-10	A3EPPP9B00	8-3	A3EPPPAR01	8-27	A3EPPCT00	14-21
A3EPPP6H01	3-21	A3EPPP7T05	10-20	A3EPPP9C01	8-4	A3EPPPAR01	20-14	A3EPPPCU00	14-23
A3EPPP6J00	14-15	A3EPPP7U01	11-22	A3EPPP9D01	8-30	A3EPPPAS01	8-2	A3EPPPCV00	10-12
A3EPPP6K01	13-8	A3EPPP7V01	11-5	A3EPPP9E00	8-17	A3EPPPAS01	18-18	A3EPPPCX01	9-22
A3EPPP6L01	3-19	A3EPPP7X01	10-7	A3EPPP9G00	8-19	A3EPPPAS01	19-6	A3EPPPCY00	7-2
A3EPPP6M02	13-7	A3EPPP7Y01	10-9	A3EPPP9H04	8-20	A3EPPPAT00	11-14	A3EPPPD000	8-10
A3EPPP6N01	13-24	A3EPPP8000	10-18	A3EPPP9J02	8-21	A3EPPPBB11	4-6	A3EPPPD100	8-6
A3EPPP6P01	13-25	A3EPPP8102	10-19	A3EPPP9K00	8-28	A3EPPPBD01	2-9	A3EPPPD200	8-29
A3EPPP6Q00	12-9	A3EPPP8202	10-5	A3EPPP9N02	8-7	A3EPPPDF02	26-1	A3EPPPD500	6-35
A3EPPP6R01	12-8	A3EPPP8301	12-2	A3EPPP9P01	8-13	A3EPPPBG04	1-8	A3EPPPD600	10-21
A3EPPP6S01	10-2	A3EPPP8400	10-4	A3EPPP9Q01	7-12	A3EPPPBH02	5-27	A3EPPPD800	12-27
A3EPPP6T03	10-1	A3EPPP8501	10-3	A3EPPP9R01	7-26	A3EPPPBJ01	6-33	A3EPPPD900	6-36
A3EPPP6U01	12-5	A3EPPP8601	12-14	A3EPPP9S02	7-5	A3EPPPBK01	4-28	A3EPPPDB00	30-8
A3EPPP6V01	12-7	A3EPPP8701	12-13	A3EPPP9T01	7-13	A3EPPPBL01	4-29	A3EPPPDF01	4-3
A3EPPP6X00	12-6	A3EPPP8802	12-16	A3EPPP9X01	7-10	A3EPPPBMO1	14-25	A3EPPPDG00	4-9
A3EPPP6Y01	12-25	A3EPPP8900	12-15	A3EPPP9Y02	7-8	A3EPPPBRO1	8-24	A3EPPPF100	1-4
A3EPPP7002	12-23	A3EPPP8A00	12-4	A3EPPPA001	8-5	A3EPPPBS00	25-6	A3EPPPF200	1-17
A3EPPP7100	12-22	A3EPPP8B00	12-21	A3EPPPA101	7-11	A3EPPPBTO1	2-13	A3EPPPF300	1-18
A3EPPP7203	12-20	A3EPPP8C01	12-18	A3EPPPA202	7-15	A3EPPPBW02	26-2	A3EPPPF400	1-1
A3EPPP7303	12-1	A3EPPP8D02	12-11	A3EPPPA302	7-9	A3EPPPBW04	26-2	A3EPPPF501	6-6
A3EPPP7503	10-13	A3EPPP8L00	9-5	A3EPPPA401	7-4	A3EPPPBW00	2-12	A3EPPPF600	1-6
A3EPPP7600	10-14	A3EPPP8M03	9-20	A3EPPPA603	7-16	A3EPPPC001	14-27	A3EPPPF900	6-4

Parts No.	Page No.	Parts No.	Page No.	Parts No.	Page No.	Parts No.	Page No.	Parts No.	Page No.
A3ERPPFE00	6-38	A3ERPP2602	24-29	A3ERPP3903	23-14	A3ERPP4K00	18-16	A3ERPP5P00	19-22
A3ERPPFH00	2-24	A3ERPP2700	21-21	A3ERPP3A04	23-13	A3ERPP4L00	19-8	A3ERPP5Q00	19-24
A3ER929300	22-6	A3ERPP2800	21-23	A3ERPP3B04	23-8	A3ERPP4M03	19-10	A3ERPP5R00	19-17
A3ERPP1001	23-2	A3ERPP2901	21-15	A3ERPP3C03	23-9	A3ERPP4N02	19-2	A3ERPP5S00	19-29
A3ERPP1101	20-25	A3ERPP2A00	21-4	A3ERPP3D01	23-10	A3ERPP4P00	16-2	A3ERPP5T00	23-1
A3ERPP1201	16-7	A3ERPP2B00	21-7	A3ERPP3E00	23-7	A3ERPP4P00	25-23	A3ERPP5U00	23-4
A3ERPP1301	16-4	A3ERPP2C00	21-24	A3ERPP3F01	24-12	A3ERPP4Q01	19-1	A3ERPP5V00	23-6
A3ERPP1403	16-3	A3ERPP2C00	24-31	A3ERPP3G01	24-2	A3ERPP4R01	19-4	A3ERPP5X00	20-33
A3ERPP1501	7-27	A3ERPP2D01	21-29	A3ERPP3H00	24-18	A3ERPP4S01	18-1	A3ERPP5Y01	20-29
A3ERPP1600	17-9	A3ERPP2E01	21-16	A3ERPP3J00	23-16	A3ERPP4T01	18-8	A3ERPP6001	20-41
A3ERPP1702	17-7	A3ERPP2E01	23-15	A3ERPP3K01	23-17	A3ERPP4U03	18-7	A3ERPP6101	20-17
A3ERPP1802	16-8	A3ERPP2F00	21-19	A3ERPP3L01	24-8	A3ERPP4V01	18-14	A3ERPP6201	20-22
A3ERPP1903	17-12	A3ERPP2G00	21-17	A3ERPP3P01	24-7	A3ERPP4X02	20-4	A3ERPP6301	20-19
A3ERPP1A01	17-8	A3ERPP2H02	24-30	A3ERPP3Q01	22-1	A3ERPP4Y02	19-25	A3ERPP6401	20-3
A3ERPP1B02	17-3	A3ERPP2J02	21-2	A3ERPP3R02	22-2	A3ERPP5002	20-30	A3ERPP6501	20-5
A3ERPP1C03	16-6	A3ERPP2K01	24-28	A3ERPP3S01	22-7	A3ERPP5101	19-16	A3ERPP6603	25-17
A3ERPP1D02	17-6	A3ERPP2L00	21-25	A3ERPP3T01	22-5	A3ERPP5202	19-21	A3ERPP6703	25-2
A3ERPP1E03	15-1	A3ERPP2L00	24-33	A3ERPP3U02	22-4	A3ERPP5302	20-27	A3ERPP6801	25-1
A3ERPP1F02	16-1	A3ERPP2M02	24-26	A3ERPP3V01	22-3	A3ERPP5405	20-6	A3ERPP6902	25-14
A3ERPP1G02	15-5	A3ERPP2N01	21-5	A3ERPP3X02	18-10	A3ERPP5500	20-2	A3ERPP6A01	25-12
A3ERPP1H01	18-24	A3ERPP2P01	21-11	A3ERPP3Y02	18-20	A3ERPP5602	20-32	A3ERPP6B01	25-15
A3ERPP1J02	16-5	A3ERPP2Q01	24-21	A3ERPP4002	18-23	A3ERPP5701	19-14	A3ERPP6C01	25-16
A3ERPP1K00	17-4	A3ERPP2R00	23-18	A3ERPP4102	18-22	A3ERPP5801	19-15	A3ERPP6D04	25-8
A3ERPP1L00	17-10	A3ERPP2R00	24-17	A3ERPP4201	18-15	A3ERPP5900	20-11	A3ERPP6E01	25-10
A3ERPP1M00	15-6	A3ERPP2S04	24-24	A3ERPP4301	18-9	A3ERPP5A00	20-1	A3ERPP6F01	25-13
A3ERPP1P00	15-4	A3ERPP2T01	23-20	A3ERPP4401	19-11	A3ERPP5B02	20-20	A3ERPP6G01	25-3
A3ERPP1Q00	7-29	A3ERPP2U00	24-15	A3ERPP4501	19-33	A3ERPP5C00	20-15	A3ERPP6H01	25-9
A3ERPP1R01	17-1	A3ERPP2V00	24-14	A3ERPP4601	19-32	A3ERPP5D01	20-16	A3ERPP6J03	17-2
A3ERPP1S02	17-5	A3ERPP2X00	24-22	A3ERPP4701	18-3	A3ERPP5D02	20-16	A3ERPP6P03	15-3
A3ERPP1T00	16-9	A3ERPP2Y00	24-19	A3ERPP4802	19-3	A3ERPP5E00	19-7	A3ERPP6Q00	15-2
A3ERPP1U02	21-30	A3ERPP3000	24-10	A3ERPP4900	18-12	A3ERPP5F01	20-23	A3ERPP6R00	21-31
A3ERPP1V02	21-26	A3ERPP3101	24-5	A3ERPP4A01	18-17	A3ERPP5G02	20-24	A3ERPP6S00	20-34
A3ERPP1X01	21-18	A3ERPP3201	24-6	A3ERPP4B01	18-4	A3ERPP5H00	20-12	A3ERPP6T00	24-34
A3ERPP1Y01	24-27	A3ERPP3302	24-3	A3ERPP4C00	19-30	A3ERPP5J01	19-28	A3ERPP6U00	20-35
A3ERPP2001	21-27	A3ERPP3402	24-9	A3ERPP4D00	19-31	A3ERPP5K02	20-31	A3ERPP6V01	21-22
A3ERPP2101	21-8	A3ERPP3500	24-16	A3ERPP4E00	18-5	A3ERPP5L02	20-28	A3ERPP6X01	21-14
A3ERPP2201	21-28	A3ERPP3601	24-4	A3ERPP4F02	18-6	A3ERPP5L03	20-28	A3ERPP6Y04	23-24
A3ERPP2302	21-9	A3ERPP3701	24-11	A3ERPP4G02	19-5	A3ERPP5M01	19-26	A3ERPP7001	24-20
A3ERPP2401	21-13	A3ERPP3801	23-23	A3ERPP4H00	19-9	A3ERPP5M01	20-9	A3ERPP7102	20-40
A3ERPP2503	24-32	A3ERPP3902	23-14	A3ERPP4J00	18-21	A3ERPP5N00	19-23	A3ERPP7201	20-38

Parts No.	Page No.	Parts No.	Page No.
A3ERPP7302	20-39	A87GPP0900	14-28
A3ERPP7401	20-37	A87GPP0A00	14-30
A3ERPP7501	25-20	A87GPP0B01	9-18
A3ERPP7602	28-2	A87GPP0C00	9-8
A3ERPP7701	21-34	A87GPP0D00	9-3
A3ERPP7801	21-32	A87GPP0E00	9-21
A3ERPP7901	22-8	A87GPP0F01	9-31
A3ERPP7A01	29-2	A87GPP0G00	9-33
A3ERPP7B01	29-1	A87GPP0H00	9-30
A3ERPP7C01	21-35	A87GPP0J01	9-32
A3ERPP7D02	21-33	A87GPP0K01	9-24
A3ERPP7E01	28-1	A87GPP0M00	9-34
A3ERPP7F01	24-36	A87GPP0N00	8-22
A3ERPP7H00	20-36	A87GPP0P00	8-14
A3ERPP7J01	25-19	A87GPP0Q00	8-15
A3ERPP7K00	19-27	A87GPP0R01	8-23
A3ERPP7K00	20-8	A87GPP0S00	27-1
A3ERPP7M01	17-11	A87GPP0T00	9-25
A3ERPP7M01	20-26	A87GPP0U01	9-28
A3ERPP7N01	24-1	A87GPP0V00	2-2
A3ERPP7Q00	18-2	A87GPP0W01	13-26
A3ERPP7S02	18-25	A87GPP0X01	13-27
A3ERPP7U00	24-35	A87GPP0Y00	8-26
A3ERPP7V00	22-11	A87GPP1000	14-8
A3ERPP7W01	22-10	A87GPP1100	14-1
A3ERPP7X01	22-12	A87GPP1301	1-15
A3ERPP7Y00	23-22	A87GPP1400	10-16
A3ERPP7Z00	23-25	A87GPP1500	10-11
A3ERPP8000	25-22	A87GPP1600	11-26
A3ERPP8100	7-28	A87GPP1700	10-22
A3ERPP8300	19-34	A87HPP7400	10-15
A87GPP0000	13-2	A87HPP7500	12-12
A87GPP0100	1-14	V500010081	30-9
A87GPP0201	13-9	V500010082	30-1
A87GPP0301	5-19	V500010083	30-2
A87GPP0400	13-19	V500020098	30-3
A87GPP0500	13-1	V500020099	30-4
A87GPP0601	14-6	V501010001	30-7
A87GPP0701	14-3	V570010021	30-5
A87GPP0800	14-29	V570010026	30-6

EXTERNAL PARTS



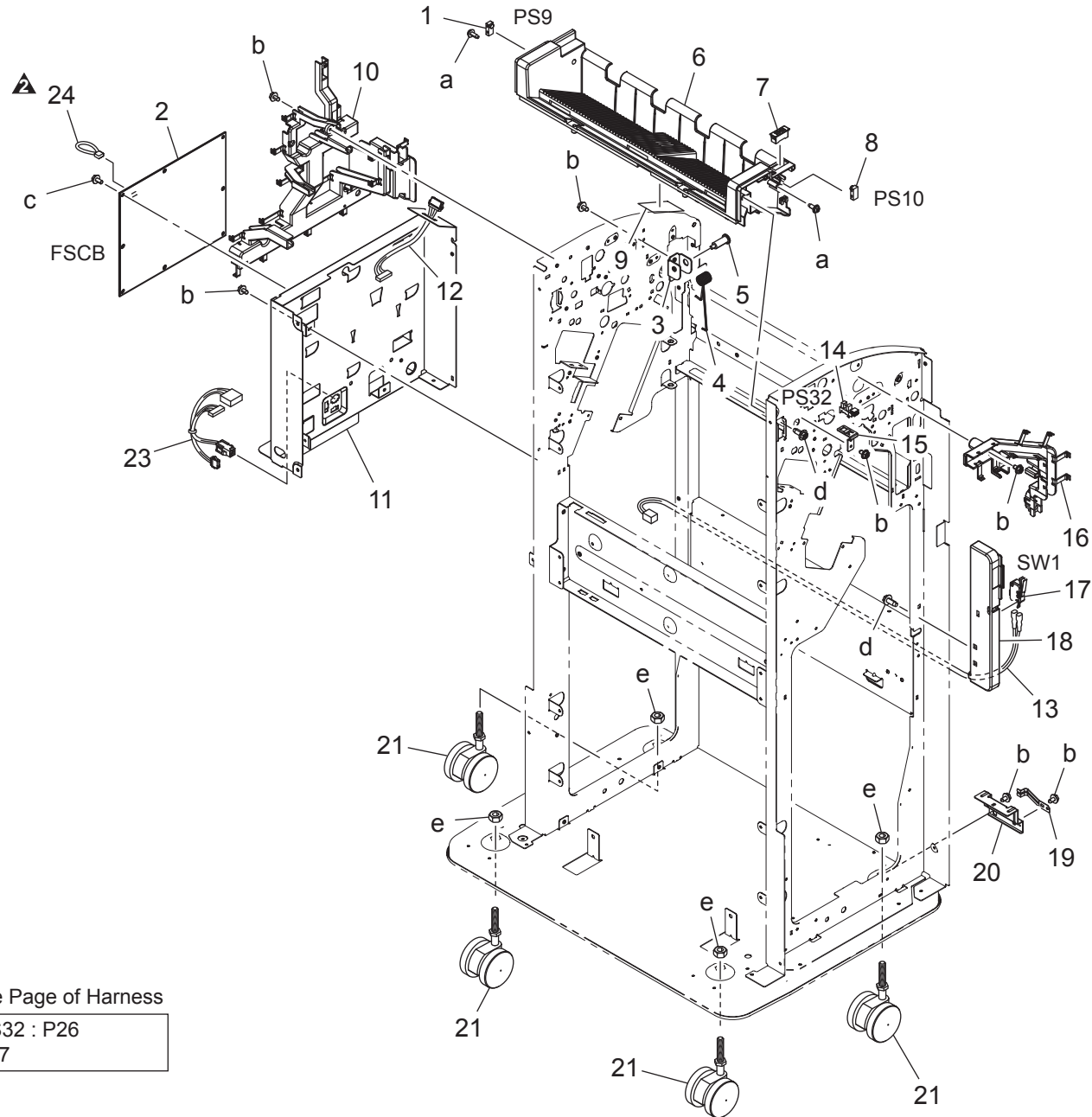


# EXTERNAL PARTS

Key	Part No.	Description	Destinations	Class	QTY	Standard parts
1	A3EPPPF400	Rear Cover		C	1	a-V137030804 b-V153030803 c-V153041003 d-V144030603 e-V144030803
2	A3EPPP4Y01	Screw		D	1	
3	A3EPPP1S03	Bracket		D	1	
4	A3EPPPF100	Torsion Coil spring		C	1	
5	A0HR115401	Ground Plate /Lower		D	1	
6	A3EPPPF600	Cushion		D	1	
7	A3EPPP1K03	Cover		D	1	
8	A3EPPPB04	Label		D	1	
9	A3EPPPCP00	MAGNET CATCH		D	1	
10	A3EPPP2301	Actuator		C	1	
11	A3EPPP1N00	Shaft		D	2	
12	A3EPPP1M04	Front Cover		C	1	
13	A3EPPP1L02	Cover		D	1	
14	A87GPP0100	Cover/ Lower		C	1	
15	A87GPP1301	Tray		C	1	
16	A3EPPP1Y01	Tray		C	1	
17	A3EPPPF200	Upper Cover		C	1	
18	A3EPPPF300	Holder		D	1	
19	A02E193400	Shoulder screw		C	1	

# FRAME SECTION

改訂版 REVISED EDITION	日付 DATE
	NOVEMBER 2017



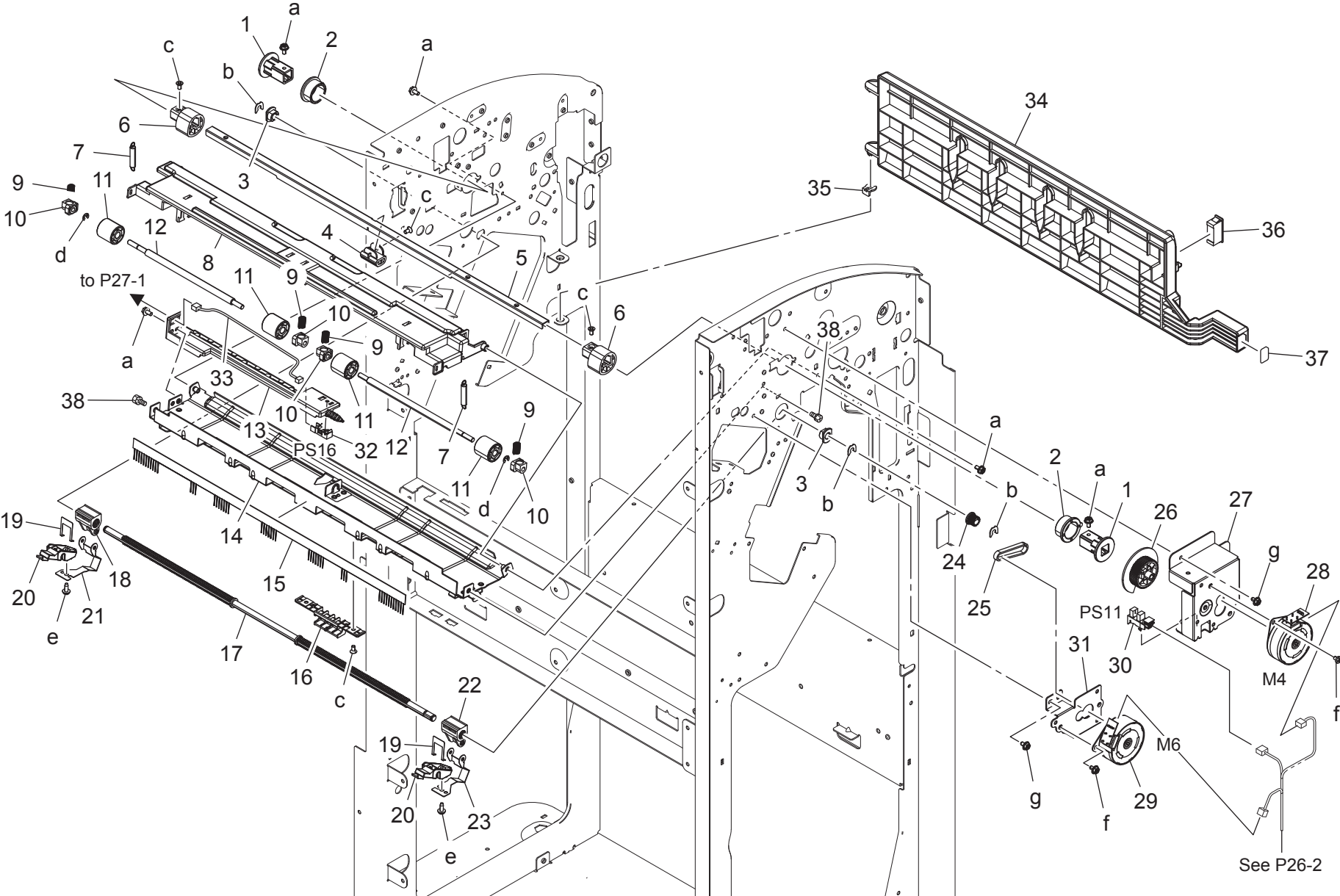
Reference Page of Harness

PS10,PS32 : P26
PS9 : P27

FRAME SECTION

Key	Part No.	Description	Destinations	Class	QTY	Standard parts
1	A3EPPP2700	Photoreflector		I	1	a-V153030803 b-V144030603 c-V118030603 d-V153041003 e-V195080003
2	A87GPP0V00	PWB Assy/ Main		I	1	
3	A3EPPP2N02	Bracket		D	1	
4	A3EPPP4C01	Torsion Coil spring		C	1	
5	A3EPPP5201	Screw		D	1	
6	A3EPPP1F03	Cover		C	1	
7	4030104002	CATCH		D	1	
8	A3EPPP2600	Photoreflector		I	1	
9	A3EPPPBD01	Sheet		D	1	
10	A3EPPP1T04	Guide		C	1	
11	A3EPPP1J05	Bracket		D	1	
12	A3EPPPBV00	Wire Harness Assy		D	1	
13	A3EPPPBT01	Wire Harness Assy		D	1	
14	A108M50100	Photointerrupter		B	1	
15	A3EPPP2201	Bracket		D	1	
16	A3EPPP1X02	Guide		C	1	
17	9J06M60100	MICRO SWITCH		C	1	
18	A3EPPP1V02	Cover		C	1	
19	A0HR115401	Ground Plate /Lower		D	1	
20	A0HR116000	Mounting Plate		D	1	
21	A3EP116100	Castor		C	4	
23	A3EPPPC201	Wire Harness Assy		D	1	
24	A3EPPPFH00	Wire Harness Assy		D	1	

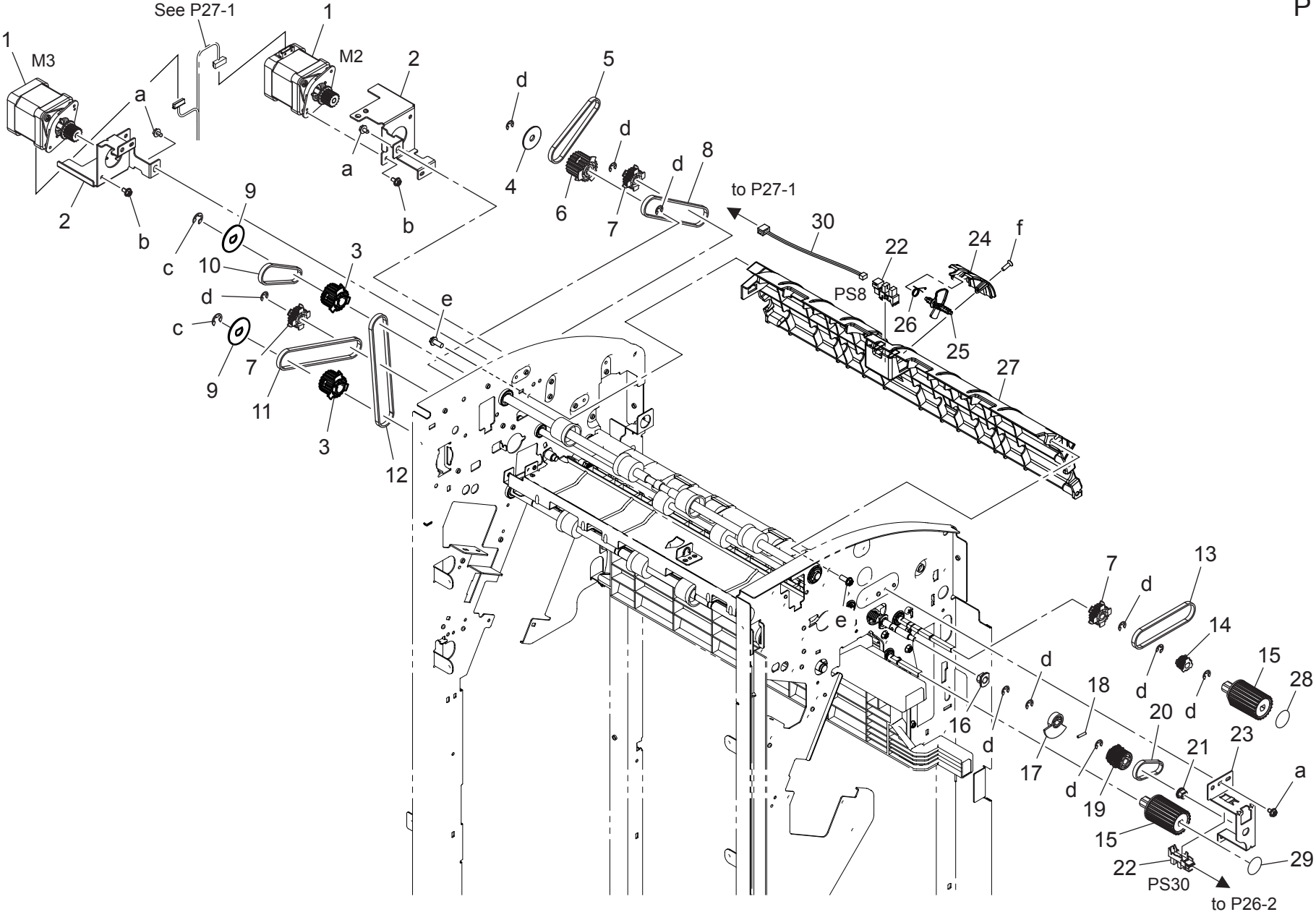
PAPER TRANSPORT SECTION



PAPER TRANSPORT SECTION

Key	Part No.	Description	Destinations	Class	QTY	Standard parts
1	A3EPPP3J00	Bush		C	2	a-V118030603 b-V218040086 c-V112030603 d-V217030001 e-V149030603 f-V118030403 g-V144030603
2	A3EPPP3F01	Bush		C	2	
3	A3EPPP1400	Bushing		D	2	
4	A3EPPP3M00	Cam		C	1	
5	A3EPPP2J01	Bracket		D	1	
6	A3EPPP3901	Cam		C	2	
7	A3EPPP4902	Tension Spring		C	2	
8	A3EPPP3K03	Guide		D	1	
9	A3EPPP4701	Pressure Spring		C	4	
10	A3EPPP1A01	Bush		C	4	
11	A3EPPP2Q02	Roller		C	4	
12	A3EPPP3X00	Shaft		D	2	
13	A3EPPP3L02	Guide		D	1	
14	A3EPPP2P01	Guide Assy		D	1	
15	A3EPPP5403	Neutralizing Brush		C	1	
16	A3EPPP3R02	Holder		D	1	
17	A3EPPP4102	Shaft		D	1	
18	A3EPPP3Q00	Nut		C	1	
19	A3EPPP6L01	Film		C	2	
20	A3EPPP6G00	Drum		C	2	
21	A3EPPP6H01	Stopper		C	1	
22	A3EPPP3P01	Nut		C	1	
23	A3EPPP6F01	Stopper		C	1	
24	A3EPPP3N00	Pulley		D	1	
25	A3EPPP4U00	Timing Belt		C	1	
26	A3EPPP3201	Cam		C	1	
27	A3EPPPCQ00	Bracket		D	1	
28	A3EPPP5600	Motor Assy		C	1	
29	A3EPPP5500	Motor Assy		C	1	
30	A108M50100	Photointerrupter		B	1	
31	A3EPPP2M01	Bracket		D	1	
32	A0EDM50100	Photorelector		I	1	
33	A3EPPPC500	Wire Harness Assy		D	1	
34	A3EPPPCL01	Guide		D	1	
35	1033440203	STOPPER RING		C	1	
36	4030104002	CATCH		D	1	
37	A3EPPPC01	Label		D	1	
38	A092145400	Shoulder screw		C	2	


# PAPER TRANSPORT SECTION

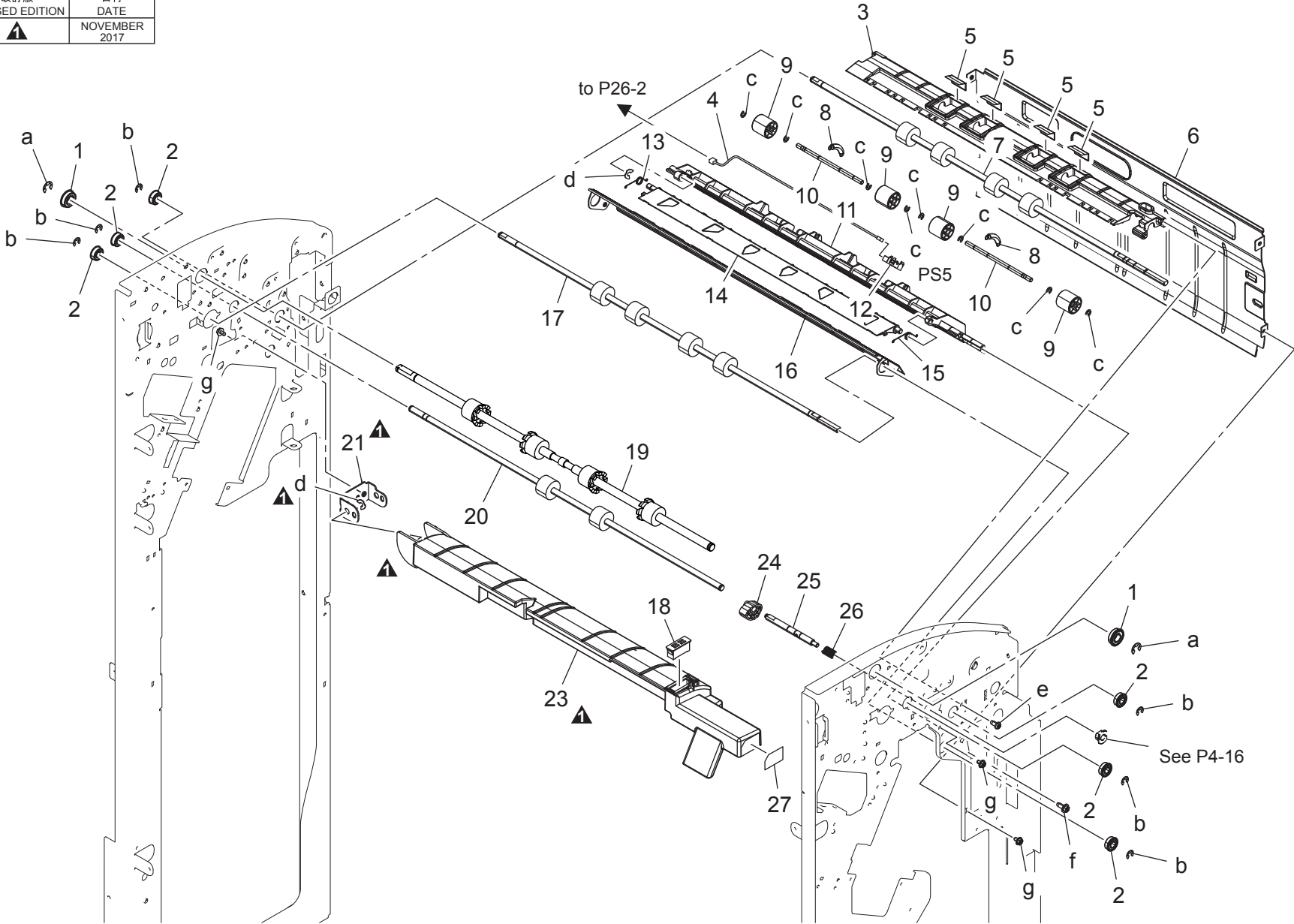


PAPER TRANSPORT SECTION

Key	Part No.	Description	Destinations	Class	QTY	Standard parts
1	A3EPPP5302	Motor		C	2	a-V144030603 b-V118030603 c-V217060001 d-V217040001 e-V153041003 f-V147031003
2	A3EPPP2D02	Bracket		D	2	
3	A3EPPPDF01	Pulley		C	2	
4	A3EPPP3800	Flange		D	1	
5	A3EPPP4P00	Timing Belt		C	1	
6	A3EPPPB11	Pulley Assy		C	1	
7	A3EPPP2R01	Pulley		C	3	
8	A3EPPP4M00	Timing Belt		C	1	
9	A3EPPPDG00	Flange		D	2	
10	A3EPPP4Q00	Timing Belt		C	1	
11	A3EPPP4L00	Timing Belt		C	1	
12	A3EPPP4N00	Timing Belt		C	1	
13	A3EPPP4K00	Timing Belt		C	1	
14	A3EPPP3C00	Pulley		C	1	
15	A3EPPP2V01	Roller		C	2	
16	A3EPPP1101	Bushing		D	1	
17	A3EPPP3D02	Cam		C	1	
18	A3EPPPAQ01	Pin		D	1	
19	A0HR213100	Pulley 28T		C	1	
20	A3EPPP4U00	Timing Belt		C	1	
21	A3EPPP1001	Bushing		D	1	
22	A108M50100	Photointerrupter		B	2	
23	A3EPPP2H01	Bracket		D	1	
24	A3EPPP3B02	Cover		C	1	
25	A3EPPP3402	Actuator		C	1	
26	A3EPPP4600	Torsion Coil spring		C	1	
27	A3EPPP3A02	Guide		D	1	
28	A3EPPPBK01	Label		D	1	
29	A3EPPPBK01	Label		D	1	
30	A3EPPPBL01	Label		D	1	
	A3EPPPC601	Wire Harness Assy		D	1	

# PAPER TRANSPORT SECTION

改訂版 REVISED EDITION	日付 DATE
	NOVEMBER 2017





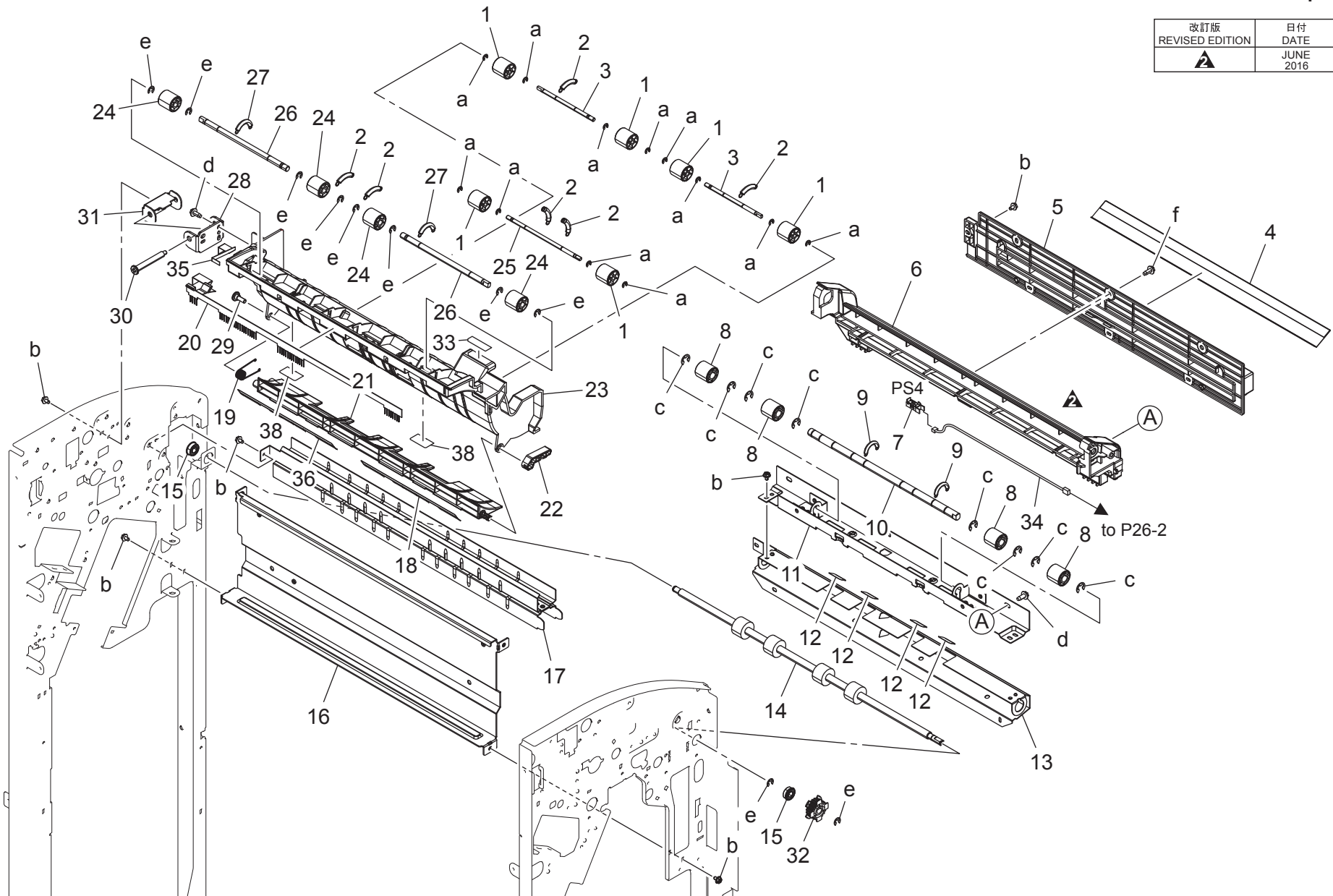
PAPER TRANSPORT SECTION

Key	Part No.	Description	Destinations	Class	QTY	Standard parts
1	A00V240600	Ball Bearing		B	2	a-V217060001 b-V217040001 c-V217030001 d-V218040086 e-V145040803 f-V153041003 g-V144030603
2	A3EPPP1501	Ball Bearing		C	6	
3	A3EPPP2X01	Guide		D	1	
4	A3EPPPC401	Wire Harness Assy		D	1	
5	A3EPPP4S01	Film		C	4	
6	A3EPPP2B02	Guide		D	1	
7	A3EPPP4F04	Roller		C	1	
8	A3EPPP4302	Tension Spring		C	2	
9	A3EPPP3702	Roll		C	4	
10	A3EPPP3T01	Shaft		D	2	
11	A3EPPP2T02	Guide		D	1	
12	A0EDM50100	Photorelector		I	1	
13	A3EPPP4400	Torsion Coil spring		C	1	
14	A3EPPP2U01	Guide Plate		C	1	
15	A3EPPP4800	Torsion Coil spring		C	1	
16	A3EPPP2F02	Guide		D	1	
17	A3EPPP4E04	Roller		C	1	
18	4030104002	CATCH		D	1	
19	A87GPP0301	Roller		C	1	
20	A3EPPP4G15	Roller		C	1	
21	A3EPPP2K02Old	Hinge		D	1	
21	A3EPPP2K03	Hinge		D	1	
23	A3EPPP3500Old	Guide		D	1	
23	A3EPPP3501	Guide		D	1	
24	A3EPPP3001	Cam		C	1	
25	A3EPPP3V01	Shaft		D	1	
26	A3EPPP4B00	Pressure Spring		C	1	
27	A3EPPPBH02	Label		D	1	

# PAPER TRANSPORT SECTION

P 6

改訂版 REVISED EDITION	日付 DATE
	JUNE 2016



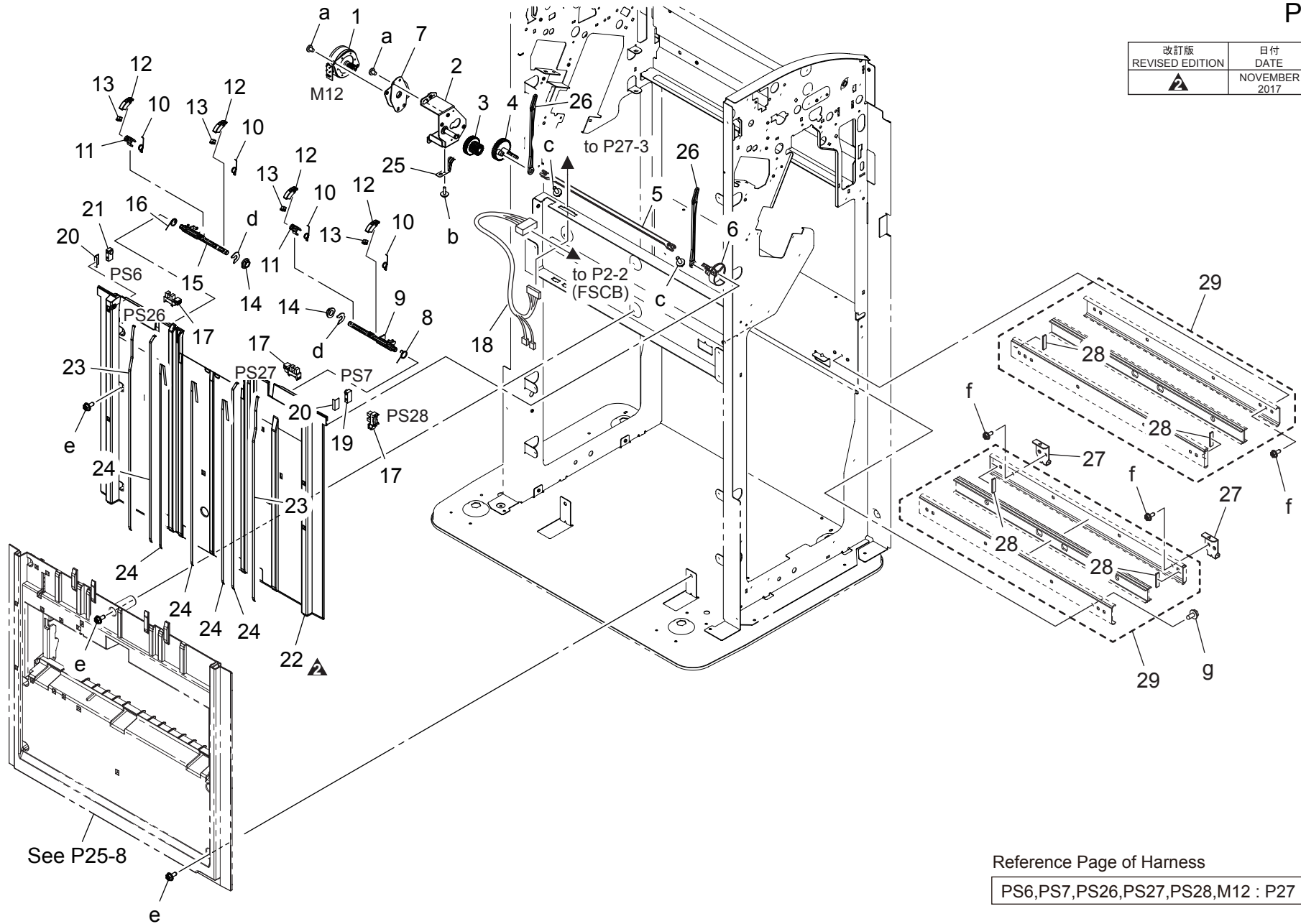
PAPER TRANSPORT SECTION

Key	Part No.	Description	Destinations	Class	QTY	Standard parts
1	A3EPPP3702	Roll		C	6	a-V217030001 b-V144030603 c-V217060001 d-V153041003 e-V217040001 f-V153041004
2	A3EPPP4302	Tension Spring		C	6	
3	A3EPPP4000	Shaft		D	2	
4	A3EPPPF900	Film		C	1	
5	A3EPPP3E01	Guide		D	1	
6	A3EPPPF501	Guide		D	1	
7	A0EDM50100	Photorelector		I	1	
8	A3EPPP3H01	Roller		C	4	
9	A3EPPP4202	Tension Spring		C	2	
10	A3EPPP3S00	Shaft		D	1	
11	A3EPPP2901	Guide Assy		D	1	
12	A3EPPP4X01	Film		C	4	
13	A3EPPP2803	Guide		D	1	
14	A3EPPP4D04	Roller		C	1	
15	A3EPPP1501	Ball Bearing		C	2	
16	A3EPPP1E03	Reinforce Stay		D	1	
17	A3EPPP2A02	Guide Assy		D	1	
18	A3EPPP4T02	Film		C	1	
19	A3EPPP4501	Torsion Coil spring		C	1	
20	A3EPPP5701	Neutralizing Brush		C	1	
21	A3EPPP2Y02	Guide Plate		C	1	
22	A3EPPP3104	Lever		C	1	
23	A3EPPP3306	Guide		D	1	
24	A3EPPP3603	Roller		C	4	
25	A3EPPP3U00	Shaft		D	1	
26	A3EPPP3Y01	Shaft		D	2	
27	A3EPPP4A02	Tension Spring		C	2	
28	A3EPPP2E02	Bracket		D	1	
29	A3EPPP4Y01	Screw		D	1	
30	A3EPPP5101	Screw		D	1	
31	A3EPPP2L03	Bracket		D	1	
32	A3EPPP2R01	Pulley		C	1	
33	A3EPPPB01	Label		D	1	
34	A3EPPPC300	Wire Harness Assy		D	1	
35	A3EPPPD500	Seal		C	1	
36	A3EPPPD900	Film		D	1	
38	A3EPPPF00	Guide Film		C	2	

# PAPER EXIT TRAY SECTION

P7

改訂版 REVISED EDITION	日付 DATE
	NOVEMBER 2017



Reference Page of Harness

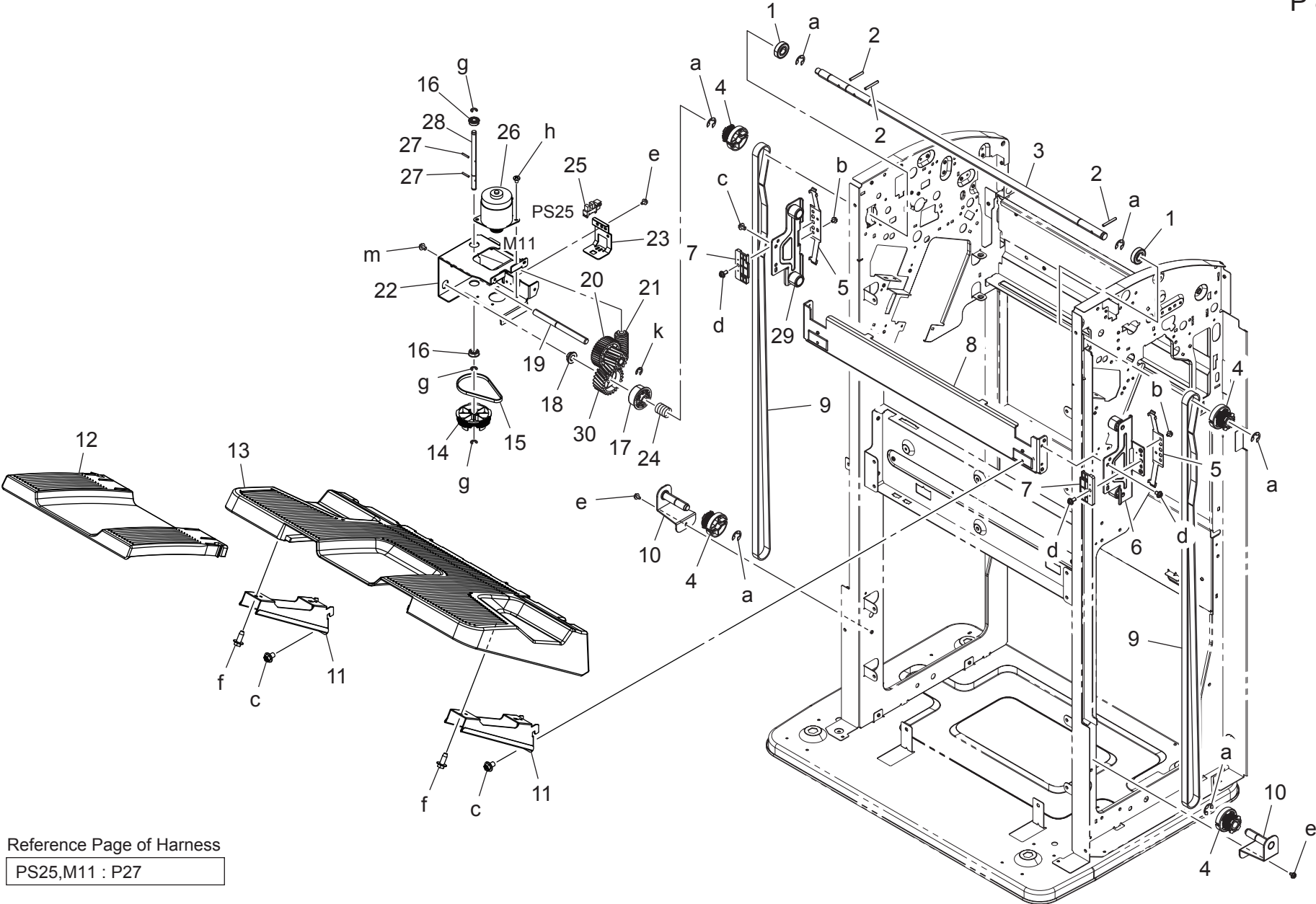
PS6,PS7,PS26,PS27,PS28,M12 : P27

FS-536SD

PAPER EXIT TRAY SECTION

Key	Part No.	Description	Destinations	Class	QTY	Standard parts
1	A3EPPAA00	Motor		C	1	a-V118030403 b-V144030603 c-V118030803 d-V217040001 e-V137030804 f-A3ERPP6K02 g-A3EPPPPFG00
2	A3EPPPCY00	Mounting Plate		D	1	
3	A3EPPPAD00	Gear		C	1	
4	A3EPPPA401	Gear		C	1	
5	A3EPPP9S02	Shaft		D	1	
6	A3EPPPA01	Actuator		C	1	
7	A3EPPAB02	Vibrating Plate		D	1	
8	A3EPPP9Y02	Torsion Spring		C	1	
9	A3EPPPA302	Actuator		C	1	
10	A3EPPP9X01	Torsion Spring		C	4	
11	A3EPPPA101	Holder		C	2	
12	A3EPPP9Q01	Holder		C	4	
13	A3EPPP9T01	Cushion		C	4	
14	A3EPPP1300	Bushing		D	2	
15	A3EPPPA202	Actuator		C	1	
16	A3EPPPA603	Torsion Spring		C	1	
17	A108M50100	Photointerrupter		B	3	
18	A3EPPPC101	Wire Harness Assy		D	1	
19	A3EPPP2600	Photoreflector		I	1	
20	A3EPPPAH00	Seal		C	2	
21	A3EPPP2700	Photoreflector		I	1	
22	A3EPPP9507	Cover		D	1	
23	A3EPPPA02	Slide Part		C	2	
24	A3EPPPAF02	Slide Part		C	5	
25	A3EPPPA901	Plate Spring		D	1	
26	A3EPPP9R01	Arm		C	2	
27	A3ERPP1501	Mounting Plate		D	2	
28	A3ERPP8100	Cushion		D	4	
29	A3ERPP1Q00	Rail		C	2	

PAPER EXIT TRAY SECTION

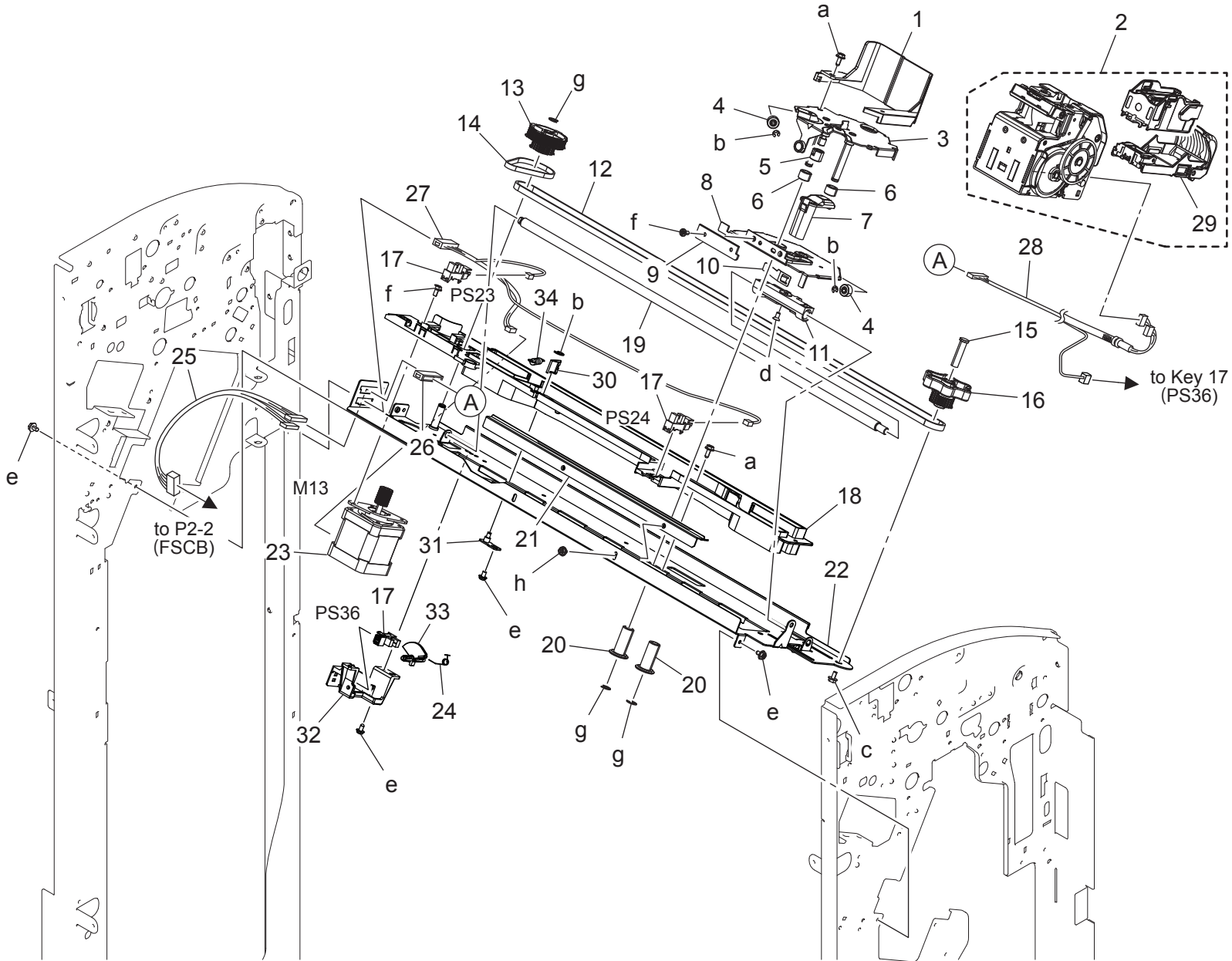


Reference Page of Harness  
PS25,M11 : P27

PAPER EXIT TRAY SECTION

Key	Part No.	Description	Destinations	Class	QTY	Standard parts
1	A0TK341200	Ball Bearing /Front		C	2	a-V217080001
2	A3EPPPAS01	Pin		D	3	b-V118030403
3	A3EPPP9B00	Shaft		D	1	c-V118040803
4	A3EPPP9C01	Gear		C	4	d-V118040603
5	A3EPPPA001	Plate Spring		D	2	e-V144030603
6	A3EPPPD100	Support Plate Assy		D	1	f-V153041003
7	A3EPPP9N02	Holder		D	2	g-V217040001
8	A3EPPP9602	Mounting Plate		D	1	h-V118030603
9	A3EPPP9901	Timing Belt		C	2	k-V217060001
10	A3EPPPD000	Support Plate		D	2	m-V116040803
11	A3EPPP9A02	Frame		D	2	
12	A3EPPP1Y01	Tray		C	1	
13	A3EPPP9P01	Tray		C	1	
14	A87GPP0P00	Gear 70T		C	1	
15	A87GPP0Q00	Timing Belt 186L		C	1	
16	A3EPPP1501	Ball Bearing		C	2	
17	A3EPPP9E00	Ratchet		C	1	
18	A3EPPP1201	Bushing		D	1	
19	A3EPPP9G00	Shaft		D	1	
20	A3EPPP9H04	Gear		C	1	
21	A3EPPP9J02	Worm Gear		C	1	
22	A87GPP0N00	Mounting Plate		D	1	
23	A87GPP0R01	Mounting Plate		D	1	
24	A3EPPPBR01	Pressure Spring		C	1	
25	A108M50100	Photointerrupter		B	1	
26	A87GPP0Y00	Motor Assy		C	1	
27	A3EPPPAR01	Pin		D	2	
28	A3EPPP9K00	Shaft		D	1	
29	A3EPPPD200	Support Plate Assy		D	1	
30	A3EPPP9D01	Gear		C	1	

STAPLER SECTION





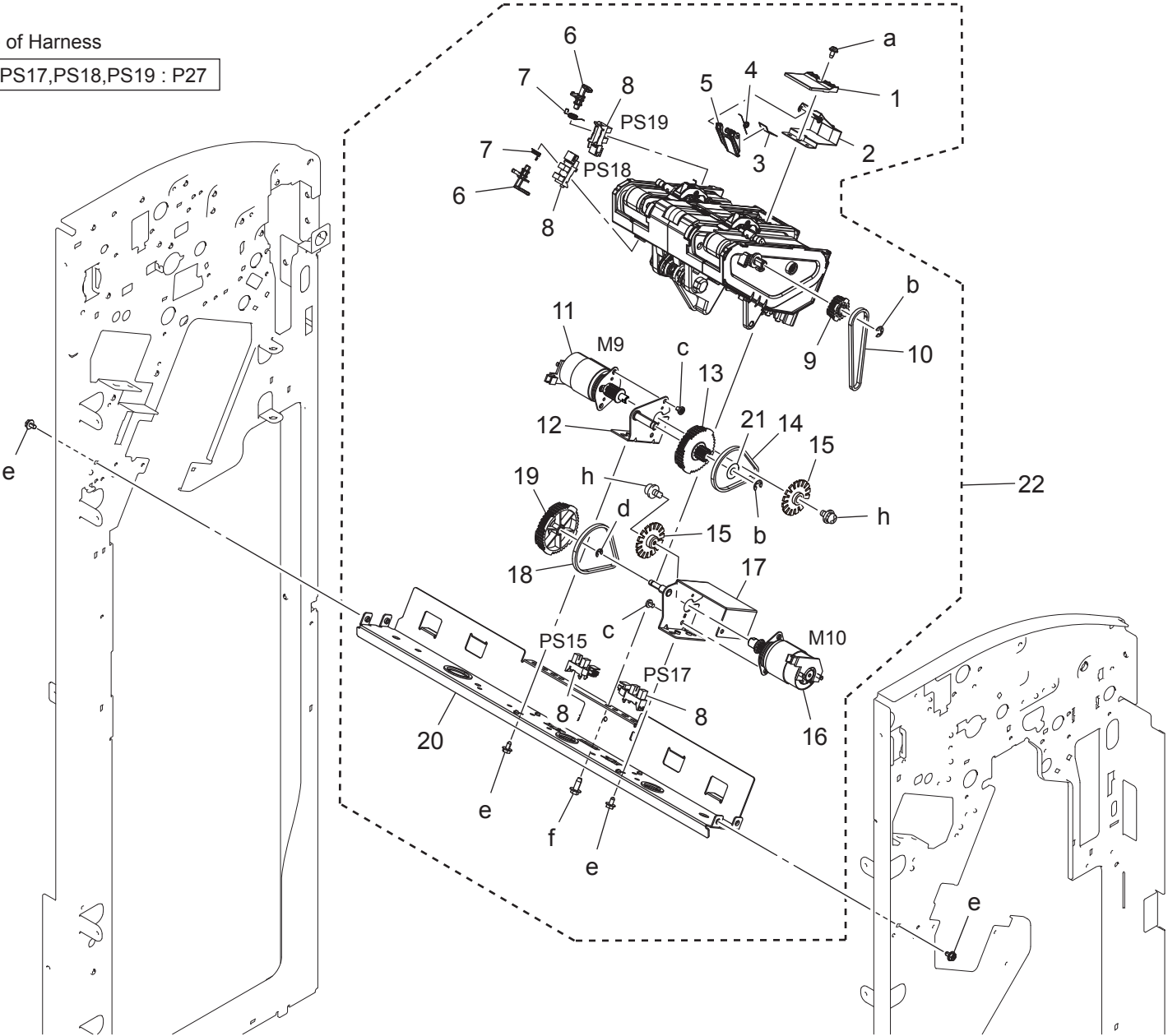
STAPLER SECTION

Key	Part No.	Description	Destinations	Class	QTY	Standard parts
1	A3EPPP8Y03	Holder		D	1	a-V144030803 b-V217025001 c-V116030603 d-V112030603 e-V144030603 f-V118030603 g-V217040001 h-V118030403
2	A3EP560100	Stapler Unit		C	1	
3	A87GPP0D00	Mounting Plate		D	1	
4	A3EPPP9001	Roll		C	2	
5	A3EPPP8L00	Collar		C	1	
6	A3EPPP8N01	Roll		C	2	
7	A3EPPP8P03	Holder		D	1	
8	A87GPP0C00	Mounting Plate		D	1	
9	A3EPPP9301	Guide		D	1	
10	A3EPPP8R01	Plate Spring		D	1	
11	A3EPPP8Q02	Holder		D	1	
12	A3EPPP8S00	Timing Belt		C	1	
13	A3EPPP8V01	Gear		C	1	
14	A3EPPP8T00	Timing Belt		C	1	
15	A3EPPP9200	Shaft		D	1	
16	A3EPPP8X02	Knob		C	1	
17	A108M50100	Photointerrupter		B	3	
18	A87GPP0B01	Holder		D	1	
19	A3EPPP8U00	Shaft		D	1	
20	A3EPPP8M03	Shaft		D	2	
21	A87GPP0E00	Rail		D	1	
22	A3EPPPCX01	Mounting Plate		D	1	
23	A3EPPP9104	Motor		C	1	
24	A87GPP0K01	Torsion Coil Spring		C	1	
25	A87GPP0T00	Harness		D	1	
26	A3EPPPCB00	Wire Harness Assy		D	1	
27	A3EPPPCA01	Wire Harness Assy		D	1	
28	A87GPP0U01	Harness		D	1	
29	9J08P00100	STAPLE CARTRIDGE		C	1	
30	A87GPP0H00	Cam		C	1	
31	A87GPP0F01	Mounting Plate		D	1	
32	A87GPP0J01	Holder		D	1	
33	A87GPP0G00	Actuator		C	1	
34	A87GPP0M00	Pulling Coil spring		C	1	

ALIGNMENT SECTION

Reference Page of Harness

M9,M10,PS15,PS17,PS18,PS19 : P27

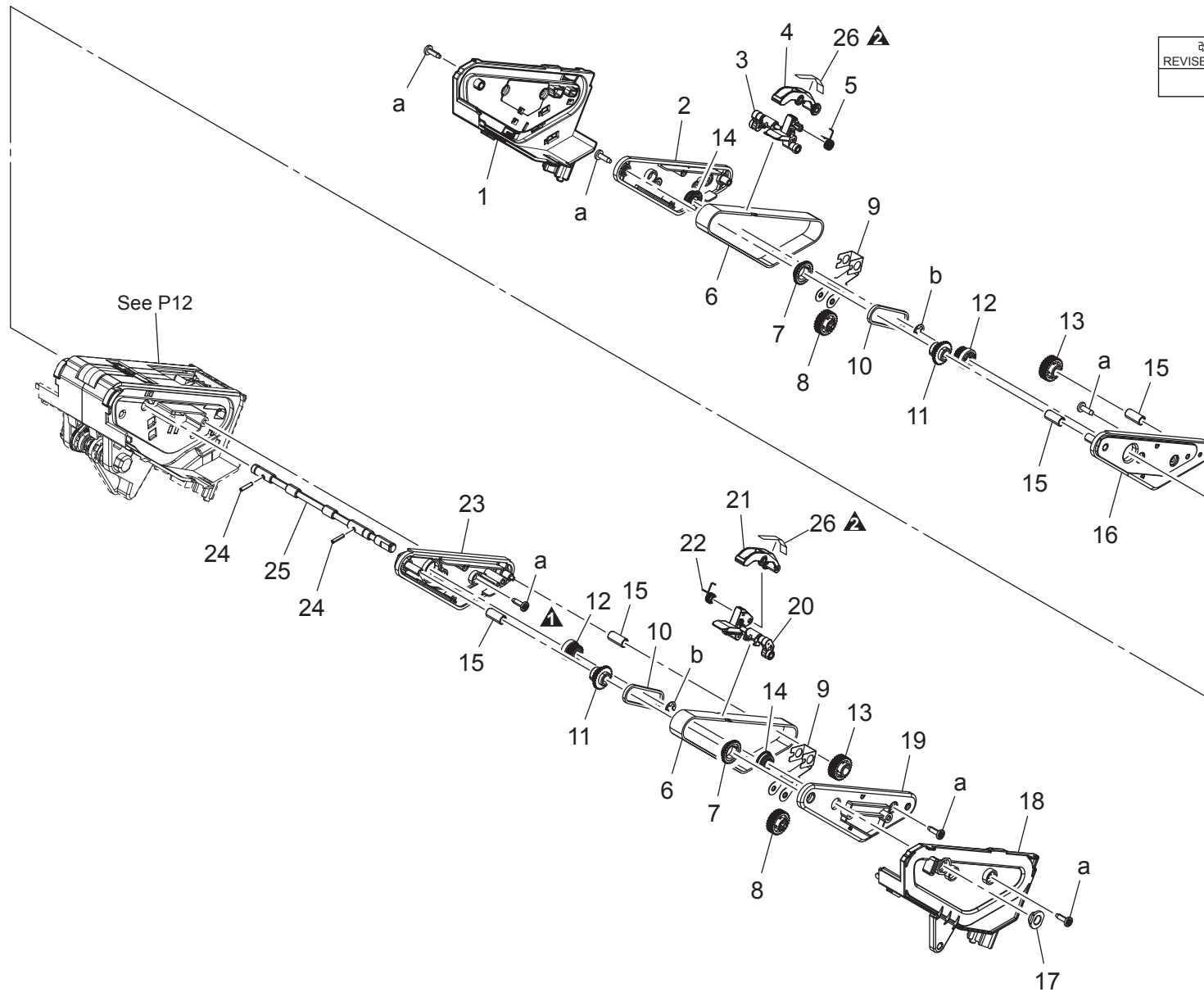


# ALIGNMENT SECTION

Key	Part No.	Description	Destinations	Class	QTY	Standard parts
1	A3EPPP6T03	Cover		C	1	a-V149030603 b-V217040001 c-V118030403 d-V217030001 e-V144030603 f-V153041003 h-V116030403
2	A3EPPP6S01	Bracket		C	1	
3	A3EPPP8501	Film		C	1	
4	A3EPPP8400	Torsion Coil spring		C	1	
5	A3EPPP8202	Lever		C	1	
6	A3EPPP7P01	Actuator		C	2	
7	A3EPPP7X01	Torsion Coil spring		C	2	
8	A108M50100	Photointerrupter		B	4	
9	A3EPPP7Y01	Pulley		C	1	
10	A3EPPP7S00	Timing Belt		C	1	
11	A87GPP1500	Motor Assy		C	1	
12	A3EPPP7503	Bracket		D	1	
13	A3EPPP7503	Pulley		C	1	
14	A3EPPP7600	Timing Belt		C	1	
15	A87HPP7400	Sprocket		C	2	
16	A87GPP1400	Motor Assy		C	1	
17	A3EPPP7R02	Bracket		D	1	
18	A3EPPP8000	Timing Belt		C	1	
19	A3EPPP8102	Pulley		C	1	
20	A3EPPP7T05	Frame		D	1	
21	A3EPPPD600	Flange		C	1	
22	A87GPP1700	Ejector Unit		S	1	

# ALIGNMENT SECTION

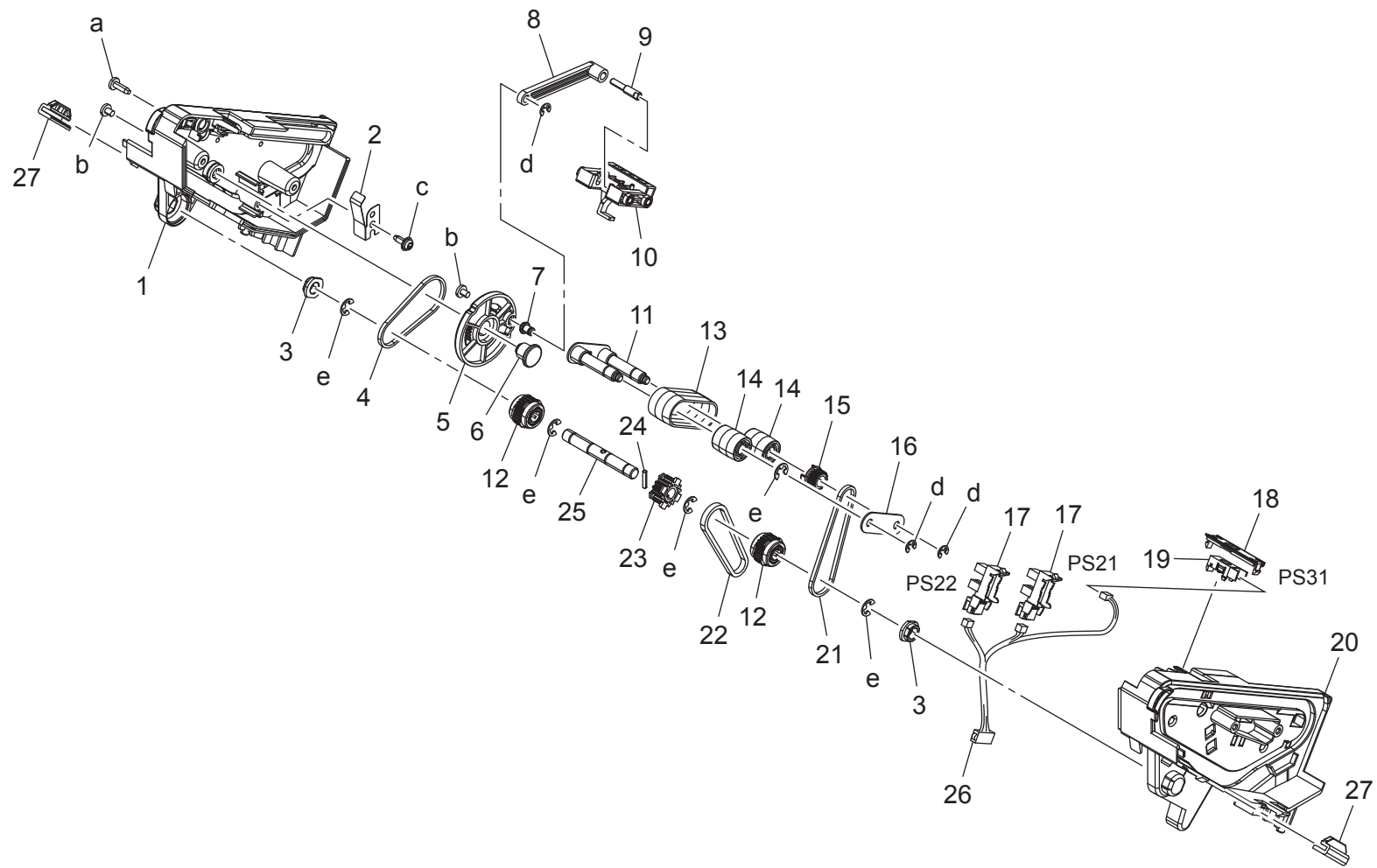
改訂版 REVISED EDITION	日付 DATE
	SEPTEMBER 2016



## ALIGNMENT SECTION

Key	Part No.	Description	Destinations	Class	QTY	Standard parts
1	A3EPPP7N04	Frame	フレーム	D	1	a-V149031003 b-V217040001
2	A3EPPP7K01	Frame	フレーム	D	1	
3	A3EPPPAJ00	Holder Assy	ホルダー A s s y	C	1	
4	A3EPPPAN00	Arm	アーム	C	1	
5	A3EPPP7V01	Torsion Coil spring	ねじりコイルばね	C	1	
6	A3EPPP7H00	Timing Belt	タイミングベルト	C	2	
7	A3EPPP7A01	Pulley	プーリー	C	2	
8	A3EPPP7G00	Pulley	プーリー	C	2	
9	A3EPPP7F01	Bracket	取付板	D	2	
10	A3EPPP7E00	Timing Belt	タイミングベルト	C	2	
11	A3EPPP7B04	Pulley	プーリー	C	2	
12	A3EPPP7C04	Pulley	プーリー	C	2	
13	A3EPPP7D00	Pulley	プーリー	C	2	
14	A3EPPPAT00	Ball Bearing	ボールベアリング	C	2	
15	A3EPPP7900	Shaft	シャフト	C	4	
16	A3EPPP7804	Frame	フレーム	D	1	
17	A3EPPP1300	Bushing	すべり軸受	D	1	
18	A3EPPP7M03	Frame	フレーム	D	1	
19	A3EPPP7J02	Frame	フレーム	D	1	
20	A3EPPPAK00	Belt Assy	ベルト A s s y	C	1	
21	A3EPPPA00	Arm	アーム	C	1	
22	A3EPPP7U01	Torsion Coil spring	ねじりコイルばね	C	1	
23	A3EPPP7702	Frame	フレーム	D	1	
24	A3EPPPAQ01	Pin	ピン	D	2	
25	A3EPPP7L03	Shaft	シャフト	D	1	
26	A87GPP1600	Film	フィルム	C	2	

# ALIGNMENT SECTION



# ALIGNMENT SECTION

Key	Part No.	Description	Destinations	Class	QTY	Standard parts
1	A3EPPP7303	Frame	フレーム	D	1	a-V149031003 b-V118030403 c-V153030803 d-V217030001 e-V217040001
2	A3EPPP8301	Plate Spring	板ばね	C	1	
3	A3EPPP1300	Bushing	すべり軸受	D	2	
4	A3EPPP8A00	Timing Belt	タイミングベルト	C	1	
5	A3EPPP6U01	Pulley	プーリー	C	1	
6	A3EPPP6X00	Pin	ピン	D	1	
7	A3EPPP6V01	Hinge	ヒンジ	D	1	
8	A3EPPP6R01	Arm	アーム	C	1	
9	A3EPPP6Q00	Pin	ピン	C	1	
10	A3EPPPAM00	Drum	ドラム	C	1	
11	A3EPPP8D02	Adjusting Plate Assy	調整板 A s s y	D	1	
12	A87HPP7500	Pulley 25T	プーリー 25 T	C	2	
13	A3EPPP8701	Belt	ベルト	C	1	
14	A3EPPP8601	Roll	ころ	C	2	
15	A3EPPP8900	Pulley	プーリー	C	1	
16	A3EPPP8802	Bracket	取付板	D	1	
17	A108M50100	Photointerrupter	透過型センサ	B	2	
18	A3EPPP8C01	Cover	カバー	C	1	
19	A0EDM50100	Photorelector	反射型センサ (アンブ内蔵)	I	1	
20	A3EPPP7203	Frame	フレーム	D	1	
21	A3EPPP8B00	Timing Belt	タイミングベルト	C	1	
22	A3EPPP7100	Timing Belt	タイミングベルト	C	1	
23	A3EPPP7002	Pulley	プーリー	C	1	
24	A3EPPPAQ01	Pin	ピン	D	1	
25	A3EPPP6Y01	Shaft	シャフト	D	1	
26	A3EPPP8C01	Wire Harness Assy	ハーネス A S S Y	D	1	
27	A3EPPPD800	Guide	ガイド	D	2	

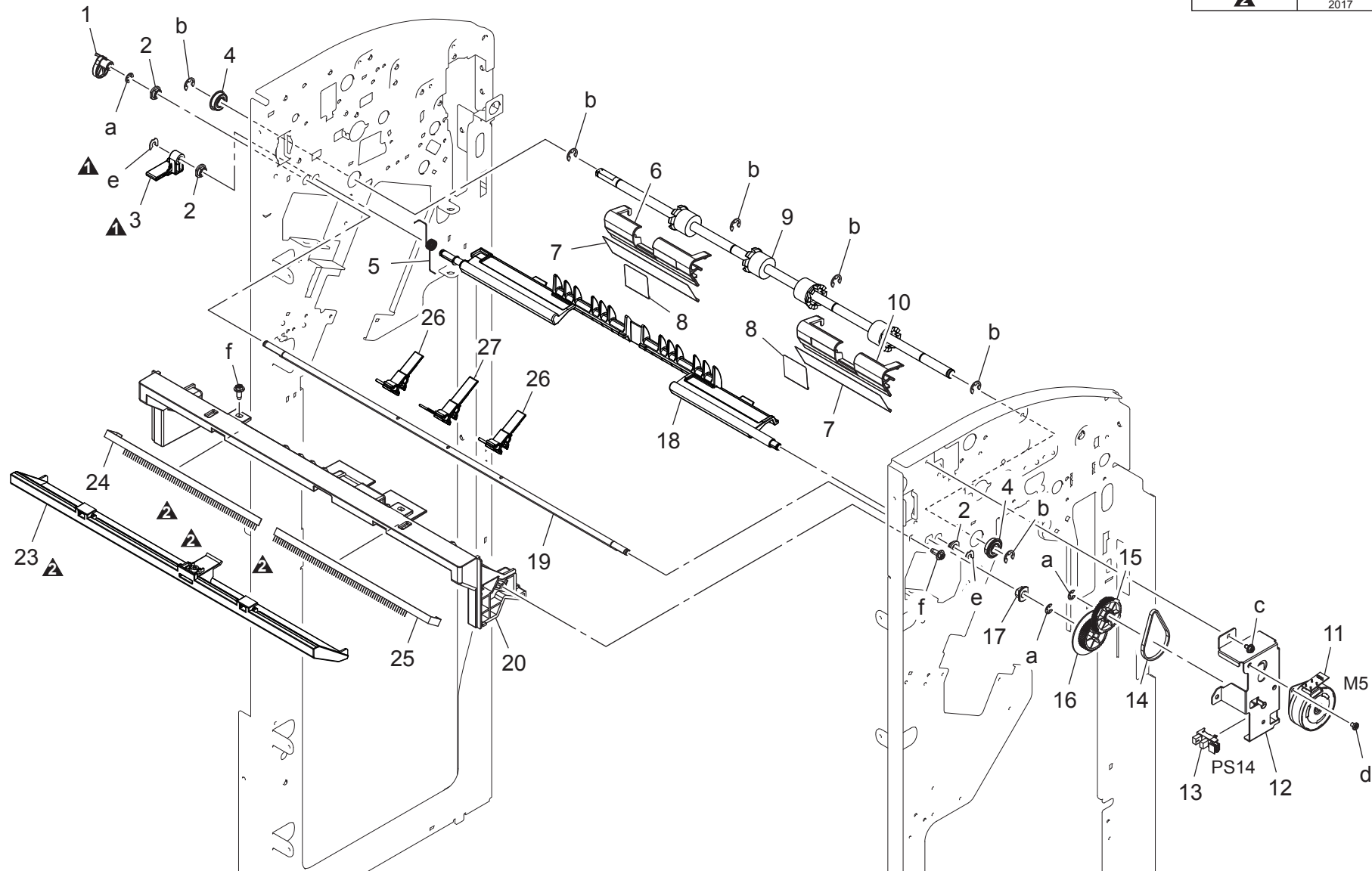
# ALIGNMENT SECTION

Reference Page of Harness

PS14,M5,SW2 : P26

P 13

改訂版 REVISED EDITION	日付 DATE
	NOVEMBER 2017



FS-536SD



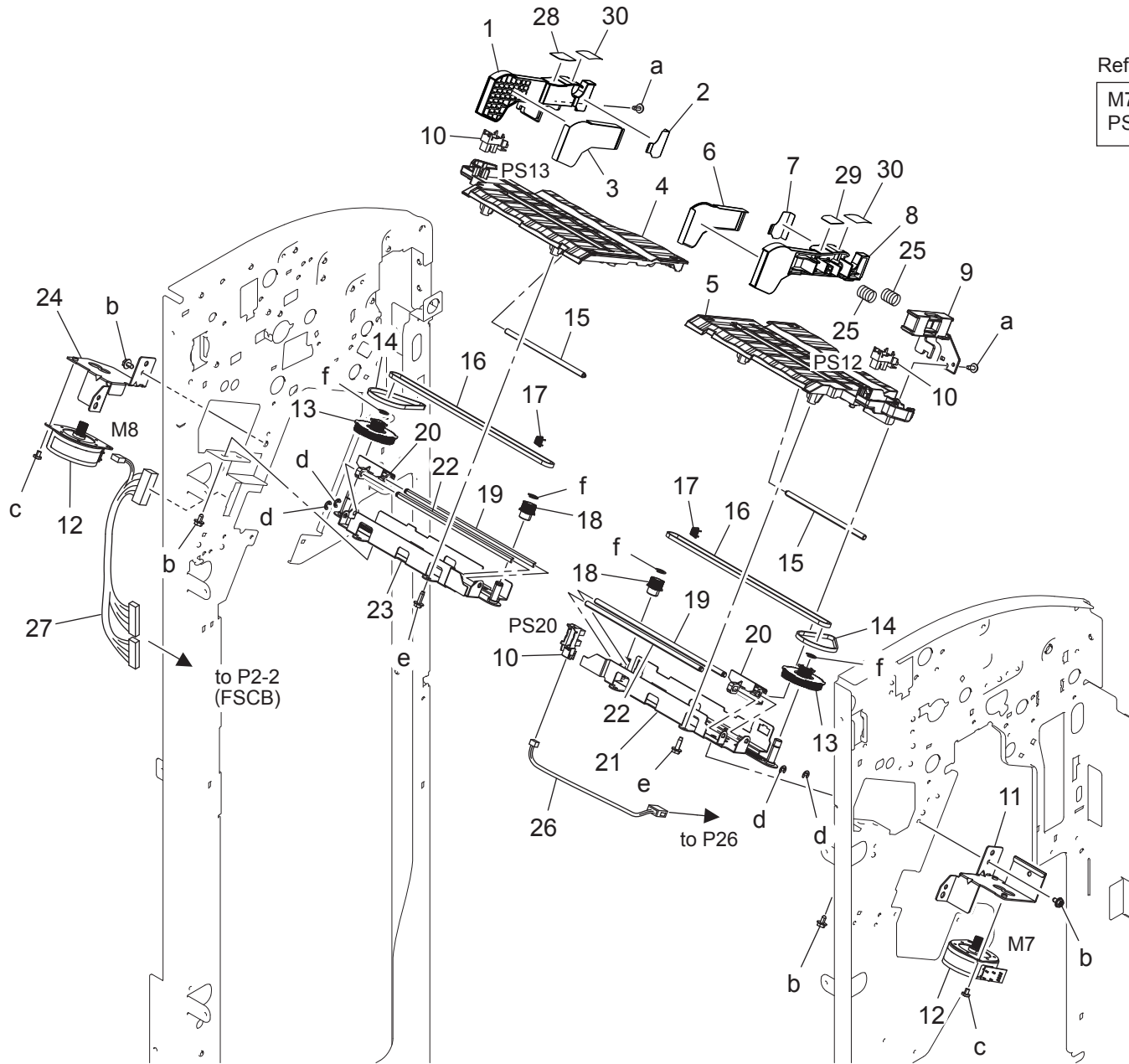
ALIGNMENT SECTION

Key	Part No.	Description	Destinations	Class	QTY	Standard parts
1	A87GPP0500	Cam		C	1	a-V217040001 b-V217060001 c-V144030603 d-V118030403 e-V218040086 f-V153041003 g-V149030603
2	A87GPP0000	Bushing		D	3	
3	A3EPPP5G04Old	Actuator		C	1	
3	A3EPPP5G05	Actuator		C	1	
4	A00V240600	Ball Bearing		B	2	
5	A3EPPP6000	Torsion Coil spring		C	1	
6	A3EPPP6B01	Guide Plate		C	1	
7	A3EPPP6M02	Film		C	2	
8	A3EPPP6K01	Film		C	2	
9	A87GPP0201	Roller		C	1	
10	A3EPPP6A01	Guide Plate		C	1	
11	A3EPPP5500	Motor Assy		C	1	
12	A3EPPPCS00	Bracket		D	1	
13	A108M50100	Photointerrupter		B	1	
14	A3EPPP5H00	Timing Belt		C	1	
15	A3EPPP6C02	Gear		C	1	
16	A3EPPP5B01	Gear		C	1	
17	A3EPPP1101	Bushing		D	1	
18	A3EPPP5F03	Guide Plate		D	1	
19	A87GPP0400	Shaft		D	1	
20	A3EPPP5J02	Guide Plate		C	1	
23	A3EPPP6801Old	Guide		D	1	
23	A3EPPP6802	Guide		D	1	
24	A3EPPP6N01	Neutralizing Brush		C	1	
25	A3EPPP6P01	Neutralizing Brush		C	1	
26	A87GPP0W01	Paddle Assy		A	2	
27	A87GPP0X01	Paddle Assy		A	1	

# ALIGNMENT SECTION

Reference Page of Harness

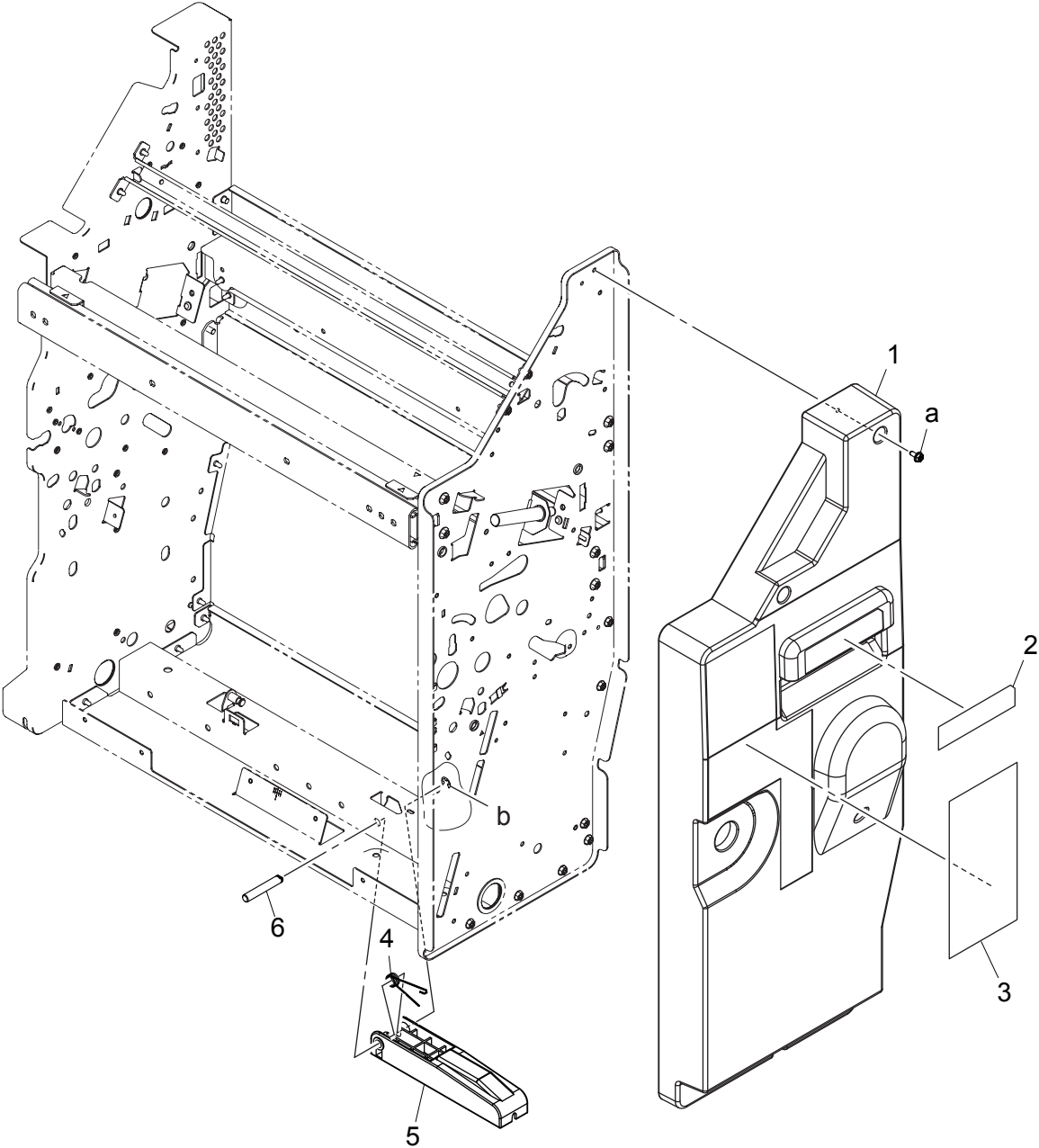
M7,PS12 : P26  
PS13 : P27



ALIGNMENT SECTION

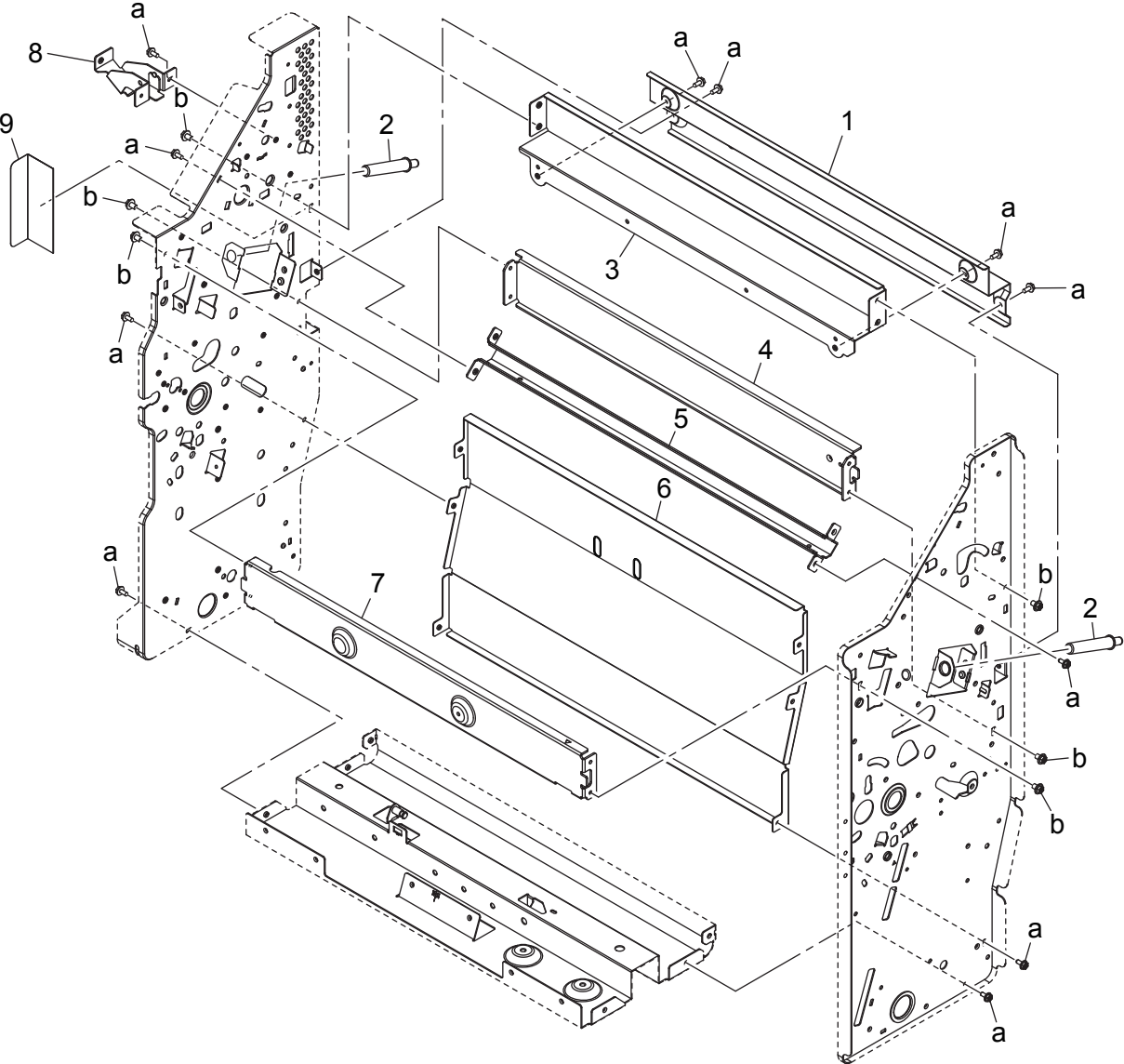
Key	Part No.	Description	Destinations	Class	QTY	Standard parts
1	A87GPP1100	Guide		C	1	a-V153030803 b-V144030603 c-V118030403 d-V217030001 e-V149031003 f-V217040001
2	A3EPPP6501	Reinforce Plate		C	1	
3	A87GPP0701	Guide		C	1	
4	A3EPPP6201	Cover		C	1	
5	A3EPPP5U01	Cover		C	1	
6	A87GPP0601	Guide		C	1	
7	A3EPPP5X01	Reinforce Plate		C	1	
8	A87GPP1000	Guide		C	1	
9	A3EPPP5N01	Cover		C	1	
10	A108M50100	Photointerrupter		B	3	
11	A3EPPP5Y01	Bracket		D	1	
12	A3EPPP5500	Motor Assy		C	2	
13	A3EPPP5R01	Pulley		C	2	
14	A3EPPP5C00	Timing Belt		C	2	
15	A3EPPP6J00	Shaft		D	2	
16	A3EPPP5Q00	Timing Belt		C	2	
17	A3EPPP6701	Torsion Coil spring		C	2	
18	A3EPPP5T02	Pulley		C	2	
19	A3EPPP5K00	Shaft		D	2	
20	A3EPPP5M01	Drum		C	2	
21	A3EPPPCT00	Frame		D	1	
22	A3EPPP5L00	Shaft		D	2	
23	A3EPPP5U00	Frame		D	1	
24	A3EPPP6601	Bracket		D	1	
25	A3EPPP5BM01	Pressure Spring		C	2	
26	A3EPPP700	Wire Harness Assy		D	1	
27	A3EPPP5C001	Wire Harness Assy		D	1	
28	A87GPP0900	Guide		D	1	
29	A87GPP0800	Guide		D	1	
30	A87GPP0A00	Guide Film		D	2	

EXTERNAL PARTS





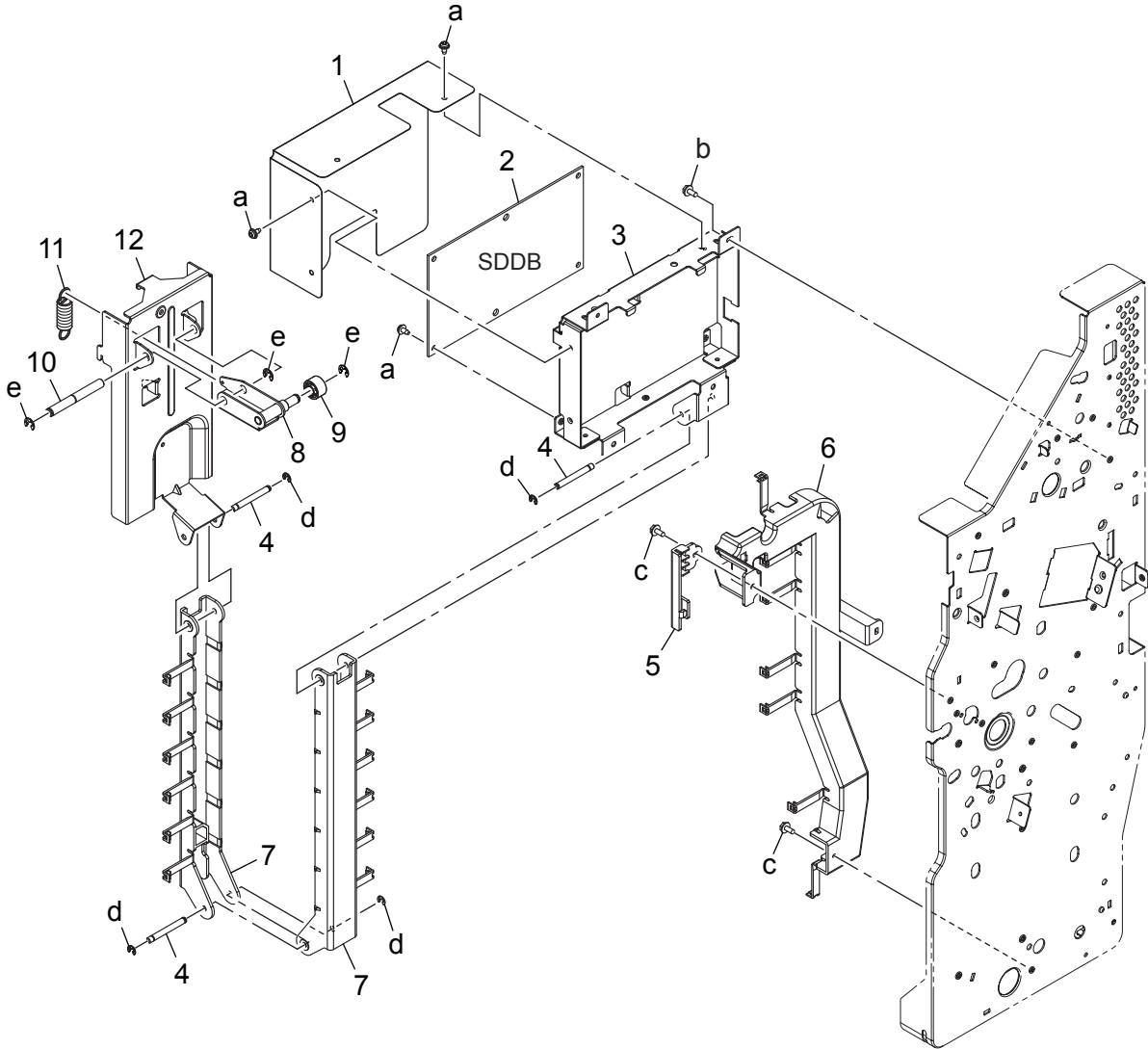
FRAME SECTION



FRAME SECTION

Key	Part No.	Description	Destinations	Class	QTY	Standard parts
1	A3ERPP1F02	Mounting Plate		D	1	a-V144030603 b-V118040603
2	A3ERPP4P00	Shaft		D	2	
3	A3ERPP1403	Stay		D	1	
4	A3ERPP1301	Stay		D	1	
5	A3ERPP1J02	Stay		D	1	
6	A3ERPP1C03	Cover		D	1	
7	A3ERPP1201	Stay		D	1	
8	A3ERPP1802	Mounting Plate		D	1	
9	A3ERPP1T00	Sheet		D	1	

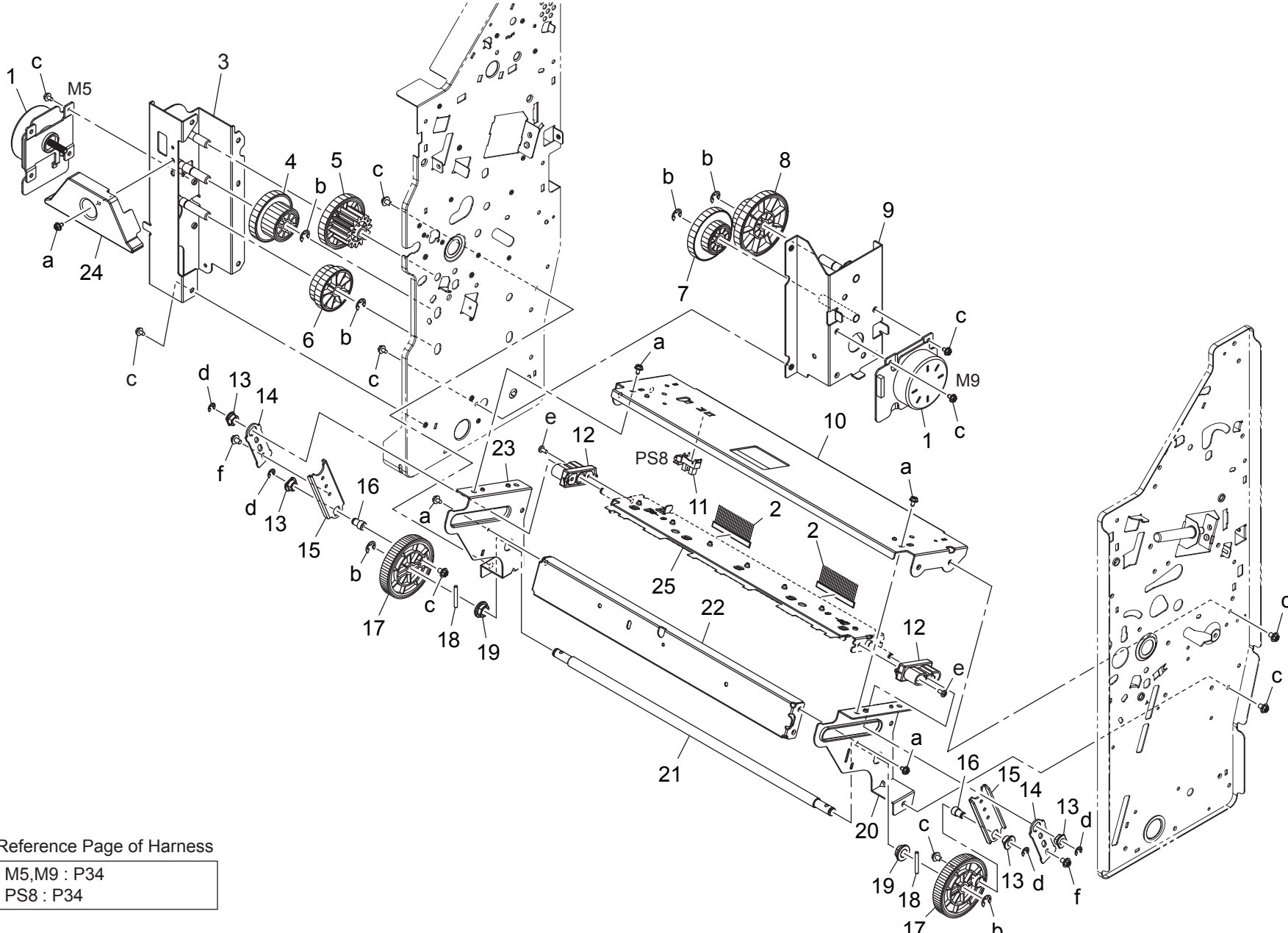
REAR FRAME SECTION







PAPER CEASE SECTION

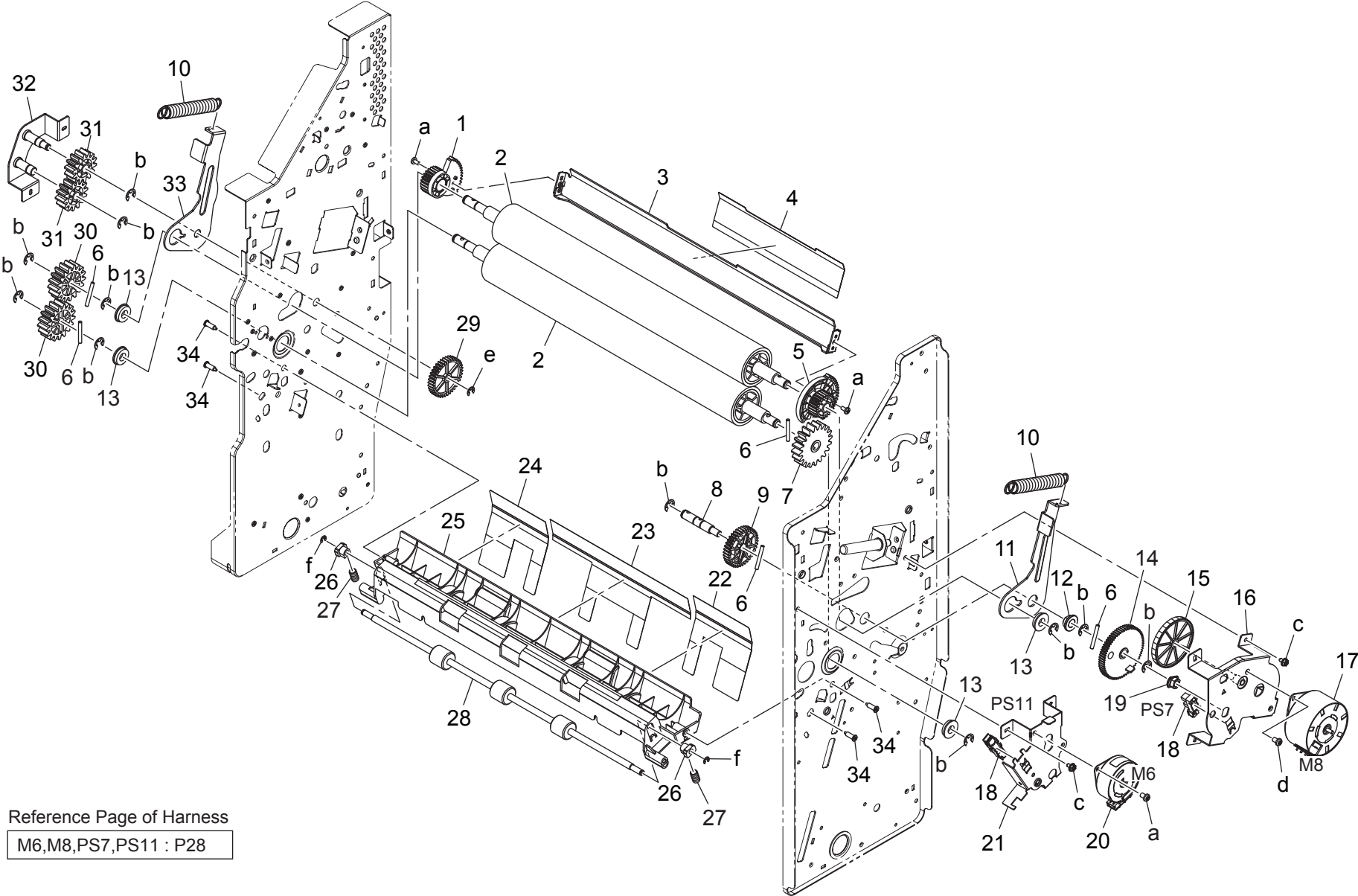


Reference Page of Harness

M5,M9 : P34  
PS8 : P34

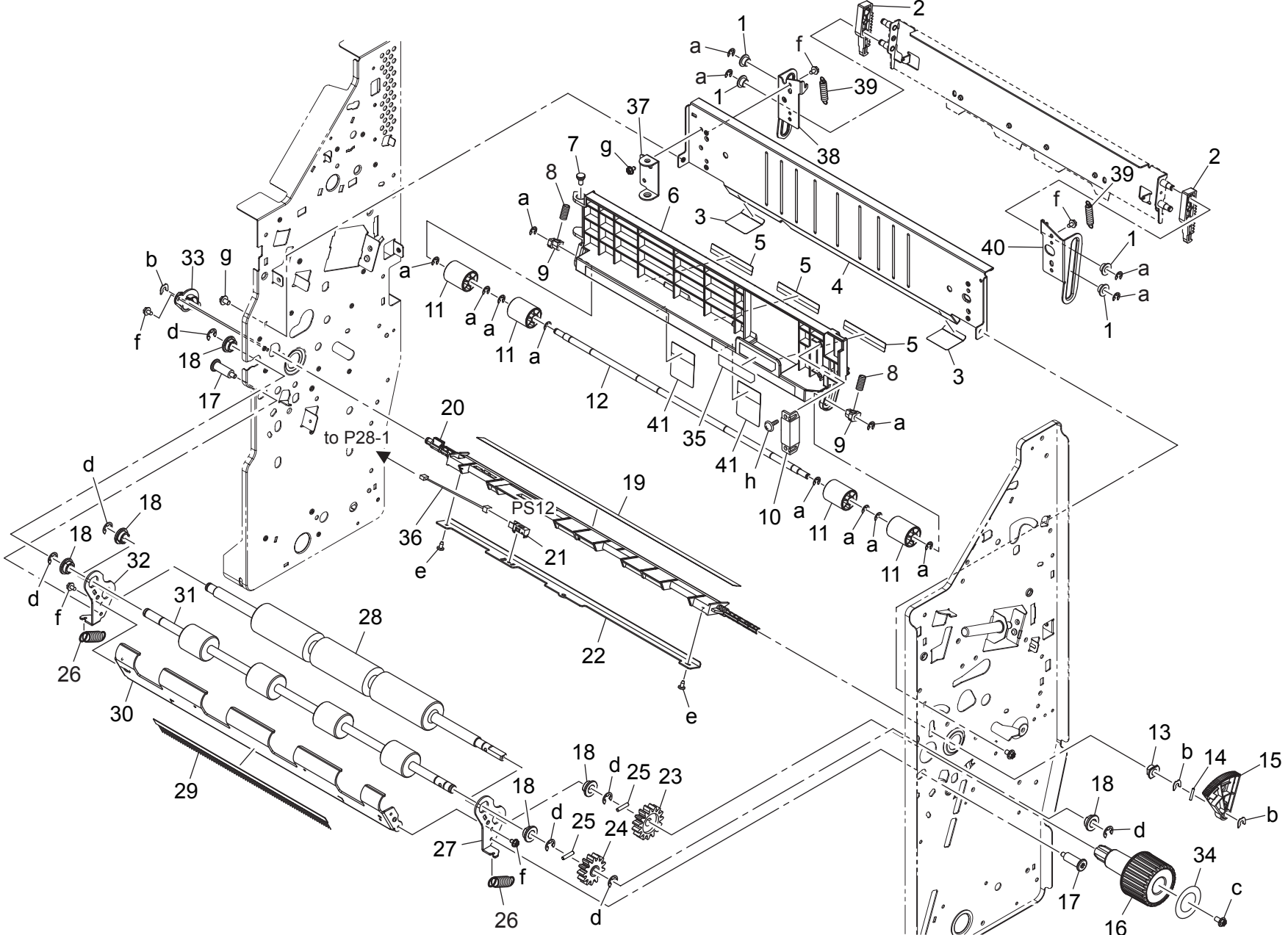


PAPER CEASE SECTION



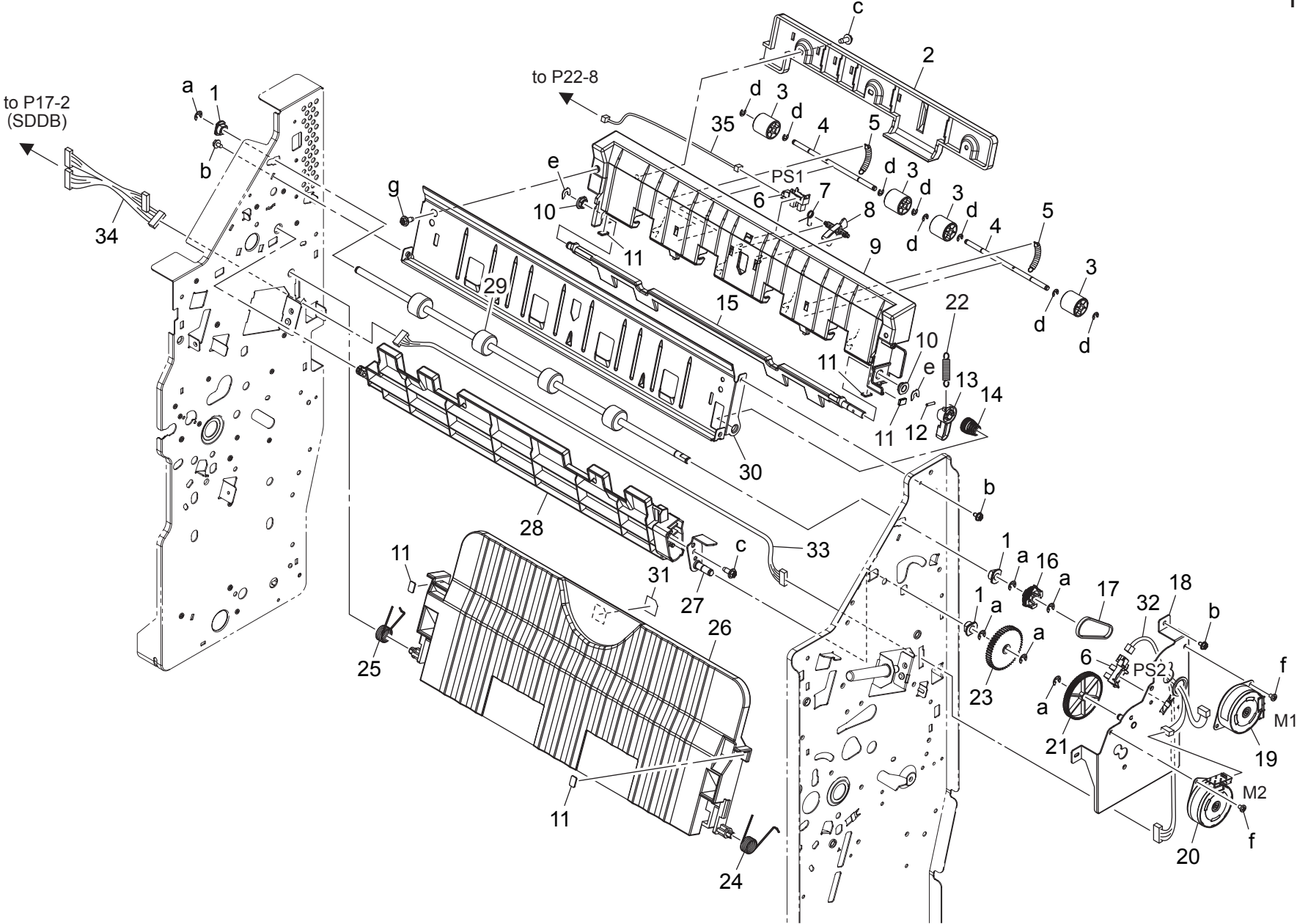
Key	Part No.	Description	Destinations	Class	QTY	Standard parts
1	A3ERPP4Q01	Gear		C	1	a-V118030403 b-V217060001 c-V144030603 d-A3ERPP6K02 e-V217040001 f-V217030001
2	A3ERPP4N02	Roller		C	2	
3	A3ERPP4802	Guide Plate		D	1	
4	A3ERPP4R01	Plate		D	1	
5	A3ERPP4G02	Gear		C	1	
6	A3EPPAS01	Pin		D	5	
7	A3ERPP5E00	Gear 20T		C	1	
8	A3ERPP4L00	Shaft		D	1	
9	A3ERPP4H00	Gear 38T		C	1	
10	A3ERPP4M03	Tension Spring		C	2	
11	A3ERPP4401	Arm		D	1	
12	A3EPPP1201	Bushing		D	1	
13	A1RF529300	Ball bearing		C	4	
14	A3ERPP5701	Gear 46T		C	1	
15	A3ERPP5801	Gear 15/93T		C	1	
16	A3ERPP5101	Mounting Plate		D	1	
17	A3ERPP5R00	Motor		C	1	
18	A108M50100	Photointerrupter		B	2	
19	A3EPPP1101	Bushing		D	1	
20	A3EPPP5600	Motor Assy		C	1	
21	A3ERPP5202	Mounting Plate		D	1	
22	A3ERPP5P00	Seal		C	1	
23	A3ERPP5N00	Seal		C	1	
24	A3ERPP5Q00	Seal		C	1	
25	A3ERPP4Y02	Guide		D	1	
26	A3ERPP5M01	Bushing		D	2	
27	A3ERPP7K00	Pressing Spring		C	2	
28	A3ERPP5J01	Roller		C	1	
29	A3ERPP5S00	Gear 38T		C	1	
30	A3ERPP4C00	Gear 17T		C	2	
31	A3ERPP4D00	Gear 14T		C	2	
32	A3ERPP4601	Mounting Plate		D	1	
33	A3ERPP4501	Arm		D	1	
34	A3ERPP8300	Screw		D	4	

PAPER CEASE SECTION



Key	Part No.	Description	Destinations	Class	QTY	Standard parts
1	A3ERPP5A00	Bushing		D	4	a-V217040001 b-V218040086 c-V116040803 d-V217060001 e-V149030603 f-V144030603 g-V118031003 h-V153030803
2	A3ERPP5500	Gear		C	2	
3	A3ERPP6401	Seal		C	2	
4	A3ERPP4X02	Guide Plate		D	1	
5	A3ERPP6501	Seal		C	3	
6	A3ERPP5405	Guide		D	1	
7	A02E193400	Shoulder screw		C	1	
8	A3ERPP7K00	Pressing Spring		C	2	
9	A3ERPP5M01	Bushing		D	2	
10	4425337201	MAGNET CATCH		D	1	
11	A3ERPP5900	Roll		C	4	
12	A3ERPP5H00	Shaft		D	1	
13	A3EPPP1400	Bushing		D	1	
14	A3EPPPAR01	Pin		D	1	
15	A3ERPP5C00	Gear		C	1	
16	A3ERPP5D01Old	Knob		C	1	
16	A3ERPP5D02	Knob		C	1	
17	A3ERPP6101	Shoulder Screw		D	2	
18	A3EPPP1201	Bushing		D	6	
19	A3ERPP6301	Seal		C	1	
20	A3ERPP5B02	Guide Plate		D	1	
21	A0EDM50100	Photoreflector		I	1	
22	A3ERPP6201	Auxiliary Plate		D	1	
23	A3ERPP5F01	Gear 15T		C	1	
24	A3ERPP5G02	Gear 13T		C	1	
25	A3ERPP1101	Pin		D	2	
26	A3ERPP7M01	Tension Spring		C	2	
27	A3ERPP5302	Mounting Plate		D	1	
28	A3ERPP5L02Old	Roller		C	1	
28	A3ERPP5L03	Roller		C	1	
29	A3ERPP5Y01	Neutralizing Brush		D	1	
30	A3ERPP5002	Guide Plate		D	1	
31	A3ERPP5K02	Roller		C	1	
32	A3ERPP5602	Mounting Plate		D	1	
33	A3ERPP5X00	Bushing		D	1	
34	A3ERPP6S00	Label		D	1	
35	A3ERPP6U00	Label		D	1	
36	A3ERPP7H00	Wire Harness Assy		D	1	
37	A3ERPP7401	Bracket		D	1	
38	A3ERPP7201	Bracket		D	1	
39	A3ERPP7302	Tension Spring		C	2	
40	A3ERPP7102	Bracket		D	1	
41	A3ERPP6001	Seal		C	2	

PAPER TRANSPORT SECTION

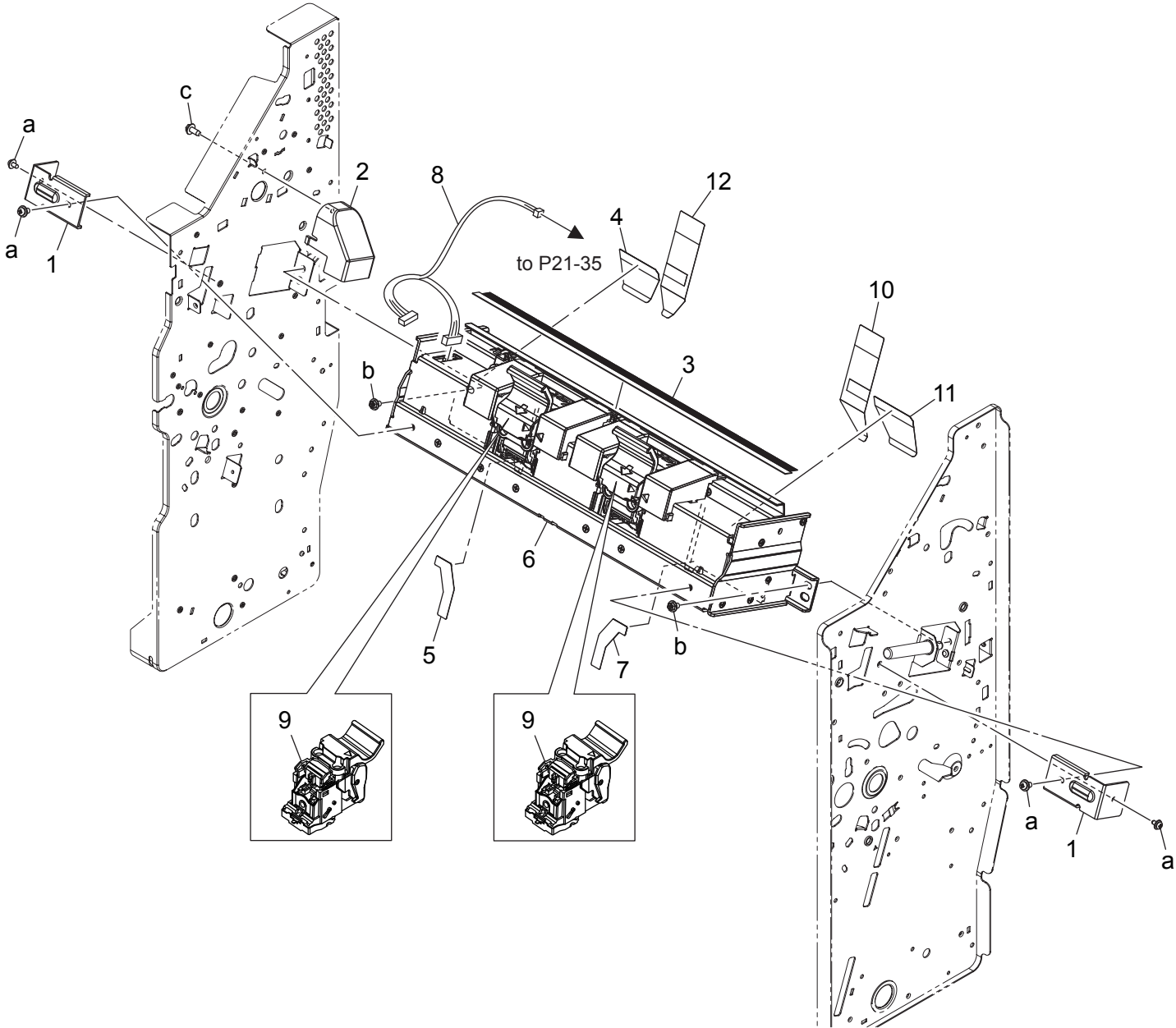




PAPER TRANSPORT SECTION

Key	Part No.	Description	Destinations	Class	QTY	Standard parts
1	A3ERPP1101	Bushing		D	3	a-V217040001 b-V144030603 c-V153041003 d-V217030001 e-V218040086 f-V118030403 g-V149041003
2	A3ERPP2J02	Guide		D	1	
3	A3ERPP3702	Roll		C	4	
4	A3ERPP2A00	Shaft		D	2	
5	A3ERPP2N01	Tension Spring		C	2	
6	A108M50100	Photointerrupter		B	2	
7	A3ERPP2B00	Torsion Spring		C	1	
8	A3ERPP2101	Actuator		C	1	
9	A3ERPP2302	Guide		D	1	
10	A3ERPP1300	Bushing		D	2	
11	A3ERPP2P01	Cushion		C	5	
12	A3ERPPAQ01	Pin		D	1	
13	A3ERPP2401	Lever		C	1	
14	A3ERPP6X01	Pressure Spring		C	1	
15	A3ERPP2901	Lever		C	1	
16	A3ERPP2E01	Gear 30T		C	1	
17	A3ERPP2G00	Timing Belt		C	1	
18	A3ERPP1X01	Mounting Plate		D	1	
19	A3ERPP2F00	Motor		C	1	
20	A3ERPP5600	Motor Assy		C	1	
21	A3ERPP2700	Gear 16/88T		C	1	
22	A3ERPP6V01	Tension Spring		C	1	
23	A3ERPP2800	Gear 50T		C	1	
24	A3ERPP2C00	Torsion Spring		C	1	
25	A3ERPP2L00	Torsion Spring		C	1	
26	A3ERPP1V02	Guide		D	1	
27	A3ERPP2001	Mounting Plate		D	1	
28	A3ERPP2201	Guide		D	1	
29	A3ERPP2D01	Roller		C	1	
30	A3ERPP1U02	Guide		D	1	
31	A3ERPP6R00	Label		D	1	
32	A3ERPP7801	Wire Harness Assy		D	1	
33	A3ERPP7D02	Wire Harness Assy		D	1	
34	A3ERPP7701	Wire Harness Assy		D	1	
35	A3ERPP7C01	Wire Harness Assy		D	1	

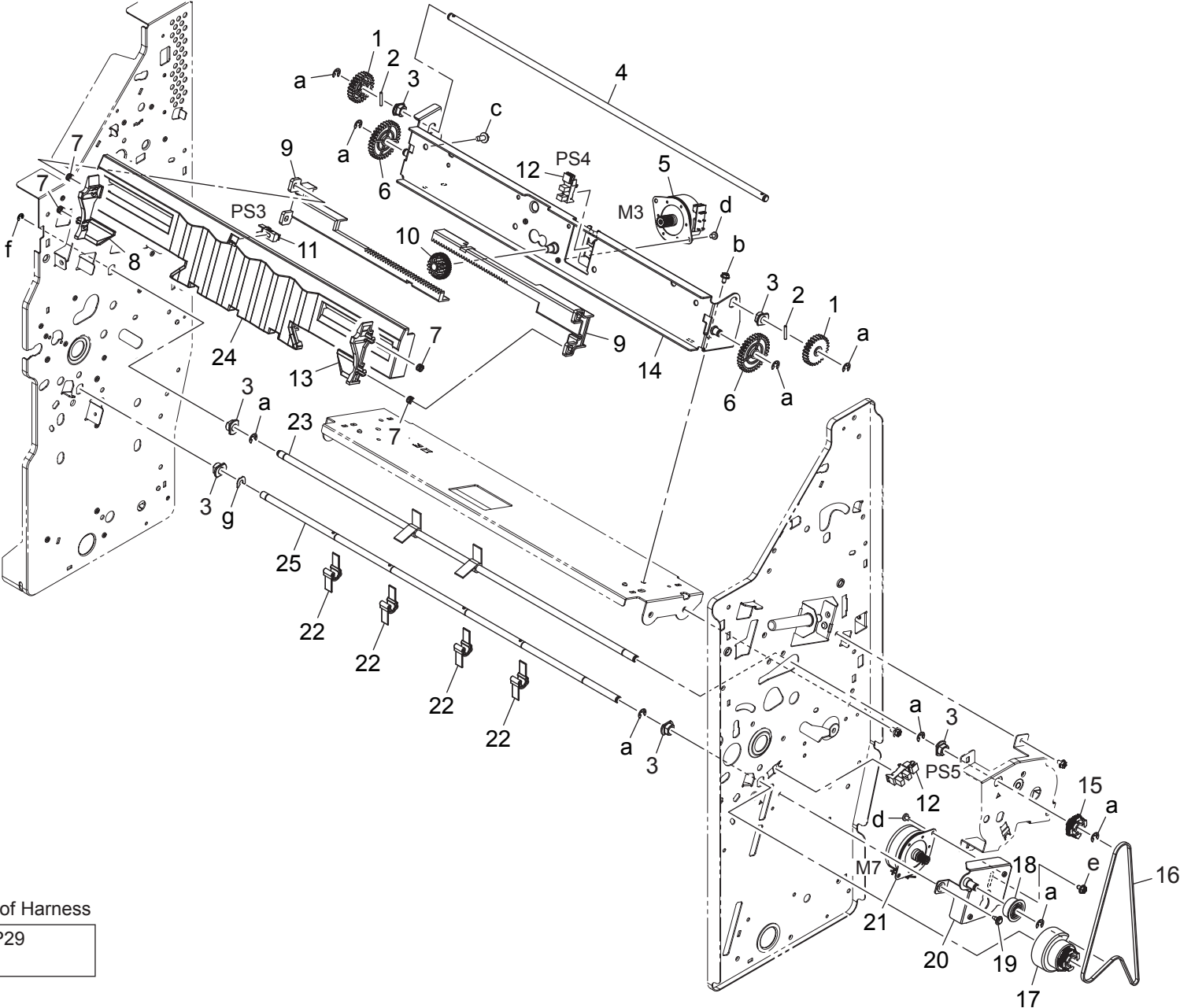
STAPLER SECTION



STAPLER SECTION

Key	Part No.	Description	Destinations	Class	QTY	Standard parts
1	A3ERPP3Q01	Mounting Plate		D	2	a-V116040803 b-V118040603 c-V153041003
2	A3ERPP3R02	Cover		C	1	
3	A3ERPP3V01	Neutralizing Brush		C	1	
4	A3ERPP3U02	Seal		C	1	
5	A3ERPP3T01	Seal		C	1	
6	A3ER929300	Stapler Unit		C	1	
7	A3ERPP3S01	Seal		C	1	
8	A3ERPP7901	Wire Harness Assy		D	1	
9	A10DP00100	STAPLE CARTRIDGE		C	2	
10	A3ERPP7W01	Seal		C	1	
11	A3ERPP7V00	Seal		C	1	
12	A3ERPP7X01	Seal		C	1	

ALIGNMENT SECTION



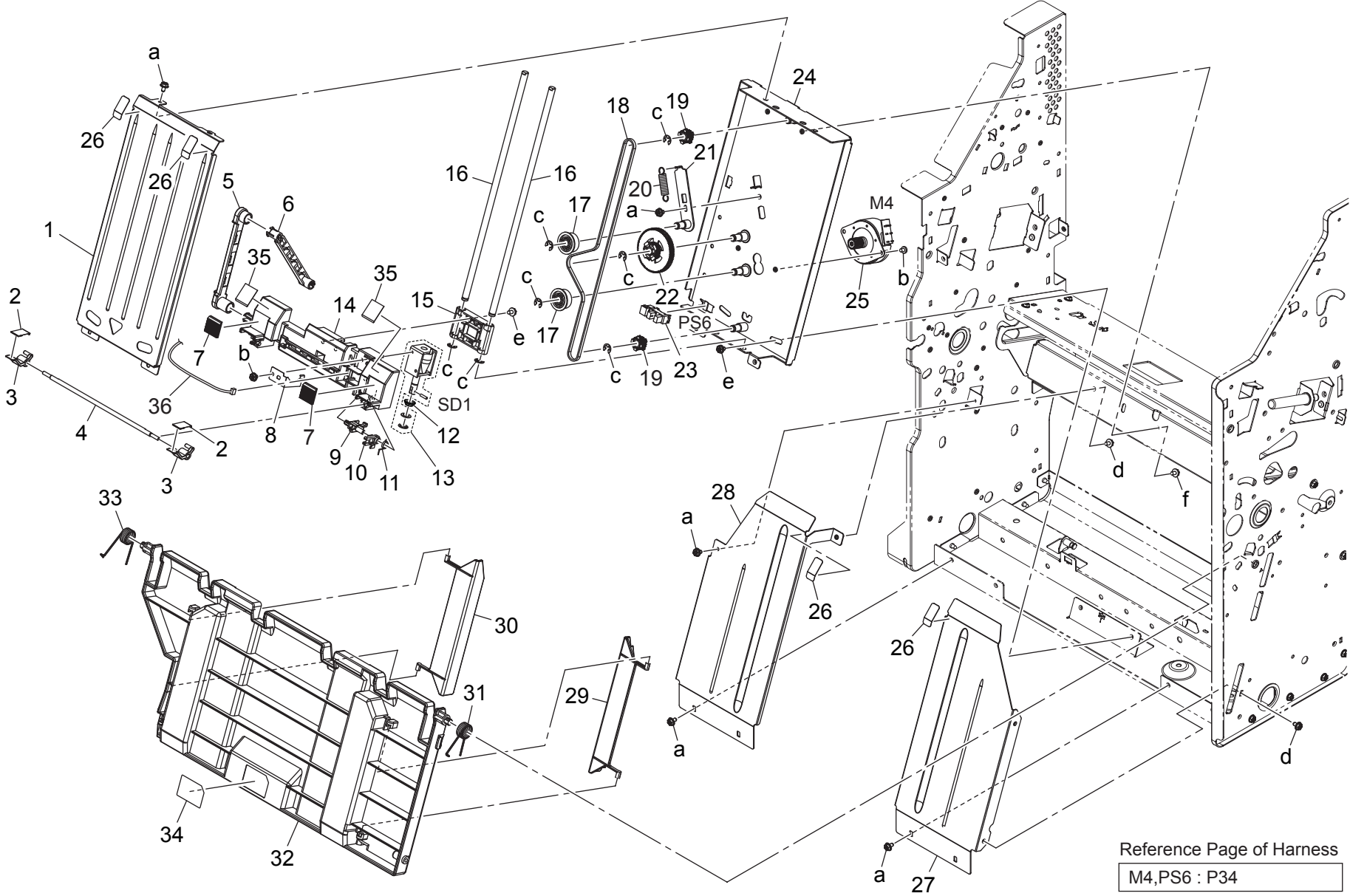
Reference Page of Harness

- PS3,PS4,M3 : P29
- PS5,M7 : P28

# ALIGNMENT SECTION

Key	Part No.	Description	Destinations	Class	QTY	Standard parts
1	A3ERPP5T00	Gear 26T		C	2	a-V217040001 b-V144030803 c-V149041003 d-V118030403 e-V116030603 f-V217030001 g-V218040086
2	A3ERPP1001	Pin		D	2	
3	A3EPPP1101	Bushing		D	6	
4	A3ERPP5U00	Shaft		D	1	
5	A3EPPP5600	Motor Assy		C	1	
6	A3ERPP5V00	Gear 34T		C	2	
7	A3ERPP3E00	Pressing Spring		C	4	
8	A3ERPP3B04	Regulating Plate		D	1	
9	A3ERPP3C03	Rack		D	2	
10	A3ERPP3D01	Gear 14/44T		C	1	
11	A0EDM50100	Photorelector		I	1	
12	A108M50100	Photointerrupter		B	2	
13	A3ERPP3A04	Regulating Plate		D	1	
14	A3ERPP3902Old	Mounting Plate		D	1	
14	A3ERPP3903	Mounting Plate		D	1	
15	A3ERPP2E01	Gear 30T		C	1	
16	A3ERPP3J00	Timing Belt		C	1	
17	A3ERPP3K01	Gear 30T		C	1	
18	A3ERPP2R00	Roller		C	1	
19	A092145400	Shoulder screw		C	1	
20	A3ERPP2T01	Mounting Plate		D	1	
21	A3EPPP5500	Motor Assy		C	1	
22	A3ERPP7Y00	Paddle Assy		C	4	
23	A3ERPP3801	Paddle Assy		C	1	
24	A3ERPP6Y04	Cover		C	1	
25	A3ERPP7Z00	Shaft		D	1	

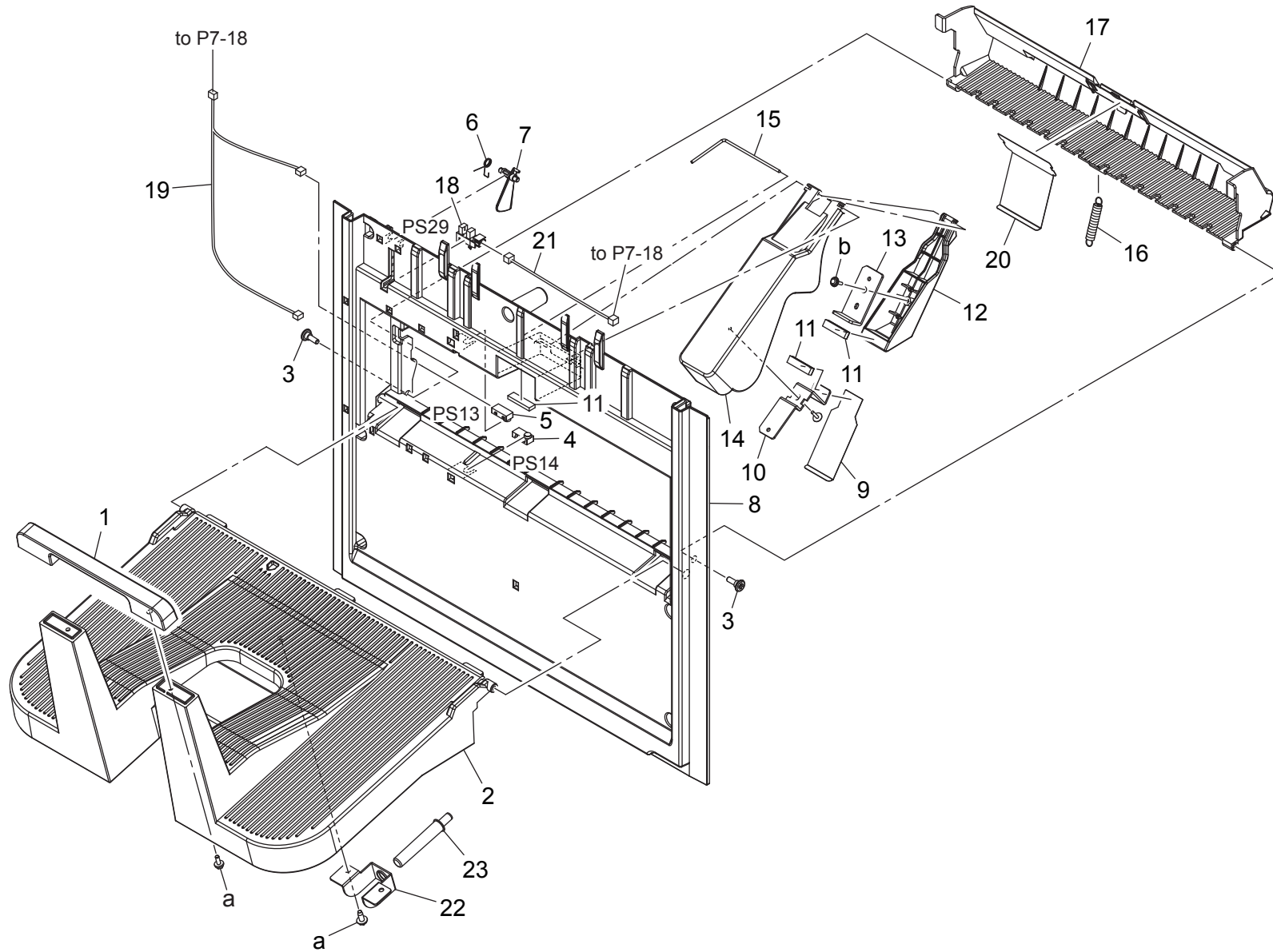
ALIGNMENT SECTION



# ALIGNMENT SECTION

Key	Part No.	Description	Destinations	Class	QTY	Standard parts
1	A3ERPP7N01	Guide Plate		D	1	a-V144030603 b-V118030403 c-V217040001 d-V116030603 e-V153030803 f-V116031003
2	A3ERPP3G01	Seal		C	2	
3	A3ERPP3302	Stopper		C	2	
4	A3ERPP3601	Shaft		D	1	
5	A3ERPP3101	Arm		C	1	
6	A3ERPP3201	Arm		C	1	
7	A3ERPP3P01	Cushion		C	2	
8	A3ERPP3L01	Plate Spring		D	1	
9	A3ERPP3402	Lever		C	1	
10	A3ERPP3000	Lever		C	1	
11	A3ERPP3701	Torsion Spring		C	1	
12	A3ERPP3F01	Pressing Spring		C	1	
13	A10DM20000	Plunger solenoid		C	1	
14	A3ERPP2V00	Holder		D	1	
15	A3ERPP2U00	Holder		D	1	
16	A3ERPP3500	Shaft		D	2	
17	A3ERPP2R00	Roller		C	2	
18	A3ERPP3H00	Timing Belt		C	1	
19	A3ERPP2Y00	Gear 20T		C	2	
20	A3ERPP7001	Tension Spring		C	1	
21	A3ERPP2Q01	Tension Plate		D	1	
22	A3ERPP2X00	Gear		C	1	
23	A108M50100	Photointerrupter		B	1	
24	A3ERPP2S04	Mounting Plate		D	1	
25	A3EPPP5600	Motor Assy		C	1	
26	A3ERPP2M02	Seal		D	4	
27	A3ERPP1Y01	Guide		D	1	
28	A3ERPP2K01	Guide		D	1	
29	A3ERPP2602	Guide		D	1	
30	A3ERPP2H02	Guide		D	1	
31	A3ERPP2C00	Torsion Spring		C	1	
32	A3ERPP2503	Guide		D	1	
33	A3ERPP2L00	Torsion Spring		C	1	
34	A3ERPP6T00	Label		D	1	
35	A3ERPP7U00	Seal		D	2	
36	A3ERPP7F01	Wire Harness Assy		D	1	

PAPER EXIT TRAY SECTION



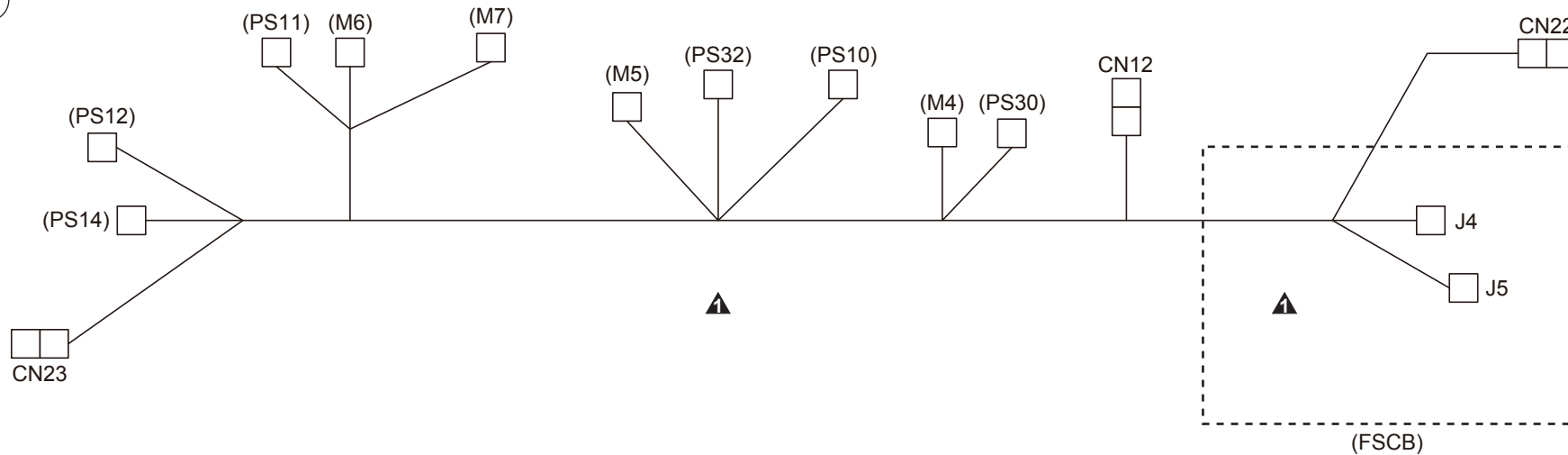




①



②



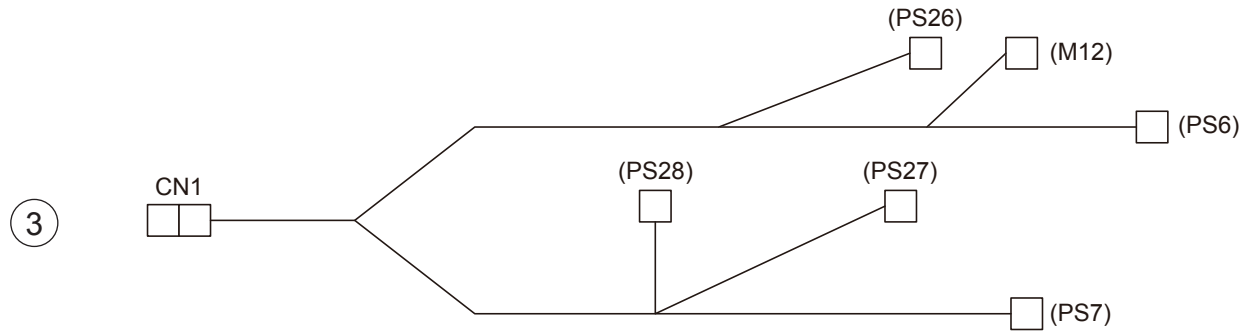
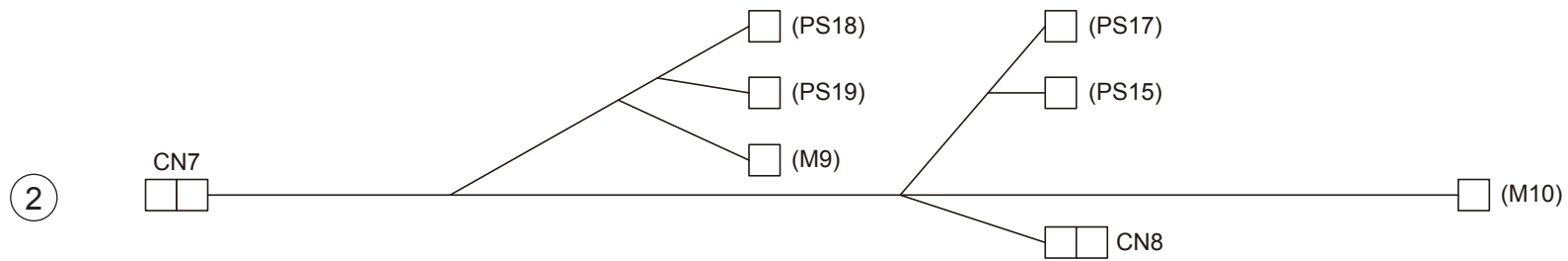
Reference Page of electric parts

M4:P3	PS10:P2	PS30:P4
M5:P13	PS11:P3	PS32:P2
M6:P3	PS12:P14	SW2:P13
M7:P14	PS14:P13	FSCB:P2

改訂版 REVISED EDITION	日付 DATE
▲	NOVEMBER 2017

WIRING

Key	Part No.	Description	Destinations	Class	QTY	Standard parts
1	A3EPPPBF02	Harness Assy		D	1	
2	A3EPPPBU02Old	Wire Harness Assy		D	1	
2	A3EPPPBU04	Wire Harness Assy		D	1	



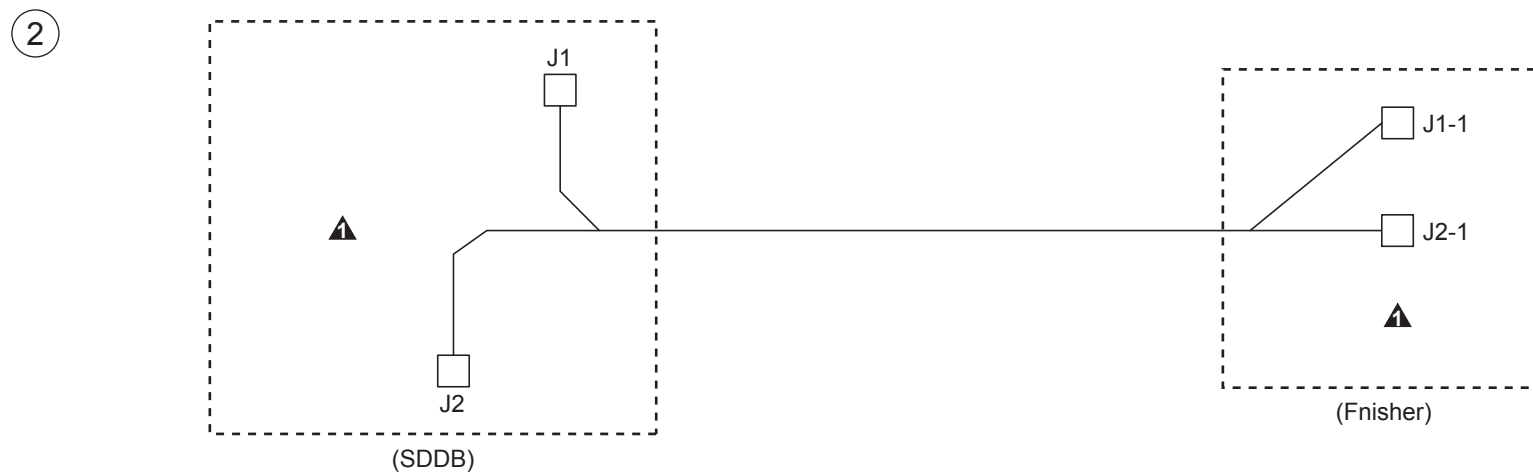
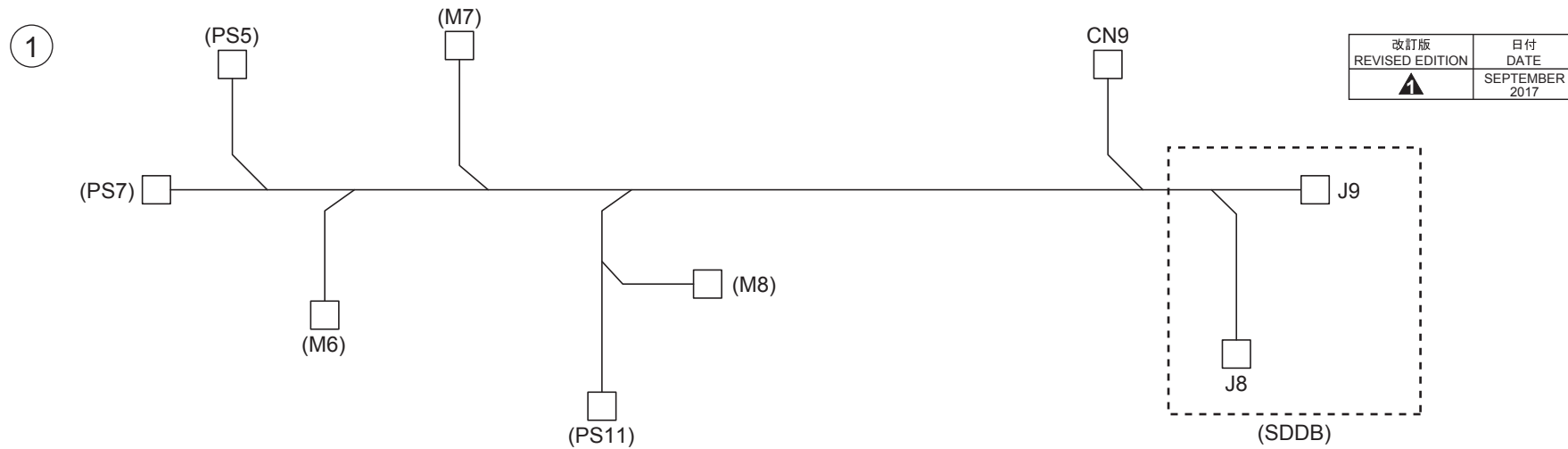
Reference Page of electric parts

FSCB :P2	M9:P10	M12:P7
M2:P4	M10:P10	PS6:P7
M3:P4	PS15:P10	PS7:P7
M11:P8	PS17:P10	PS26:P7
PS9:P2	PS18:P10	PS27:P7
PS13:P14	PS19:P10	PS28:P7
PS25:P8		

# WIRING

Key	Part No.	Description	Destinations	Class	QTY	Standard parts
1	A87GPP0S00	Harness		D	1	
2	A3EPPPC901	Wire Harness Assy		D	1	
3	A3EPPPCM01	Wire Harness Assy		D	1	

# WIRING

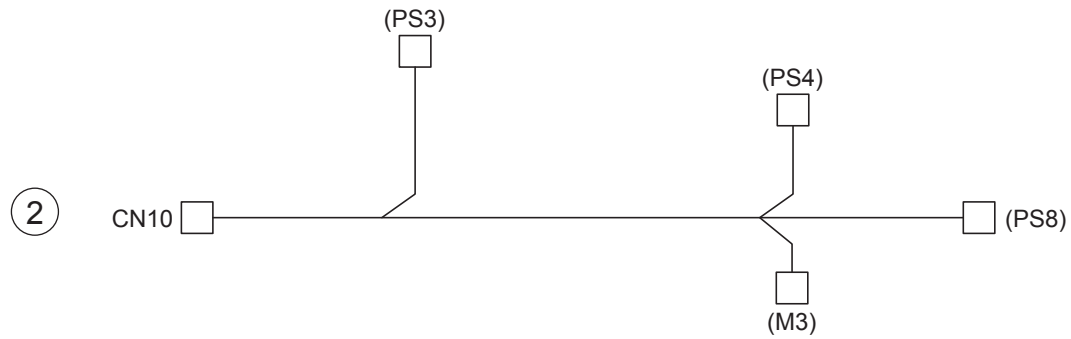
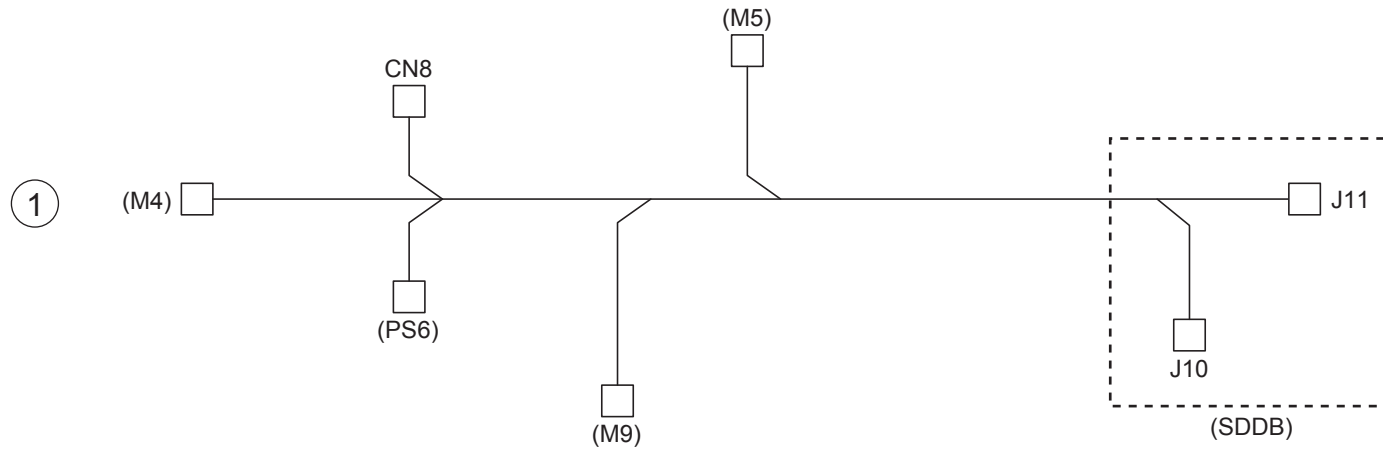


Reference Page of electric parts

M6:P19	PS7:P19
M7:P23	PS11:P19
M8:P19	SDDB:P17
PS5:P23	

# WIRING

Key	Part No.	Description	Destinations	Class	QTY	Standard parts
1	A3ERPP7E01	Wire Harness Assy		D	1	
2	A3ERPP7602	Wire Harness Assy		D	1	



Reference Page of electric parts

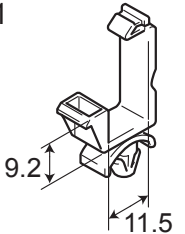
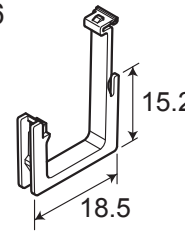
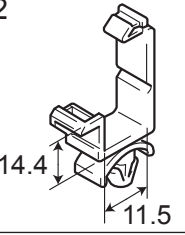
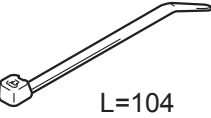
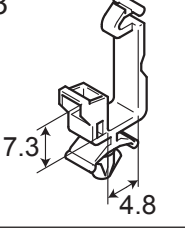
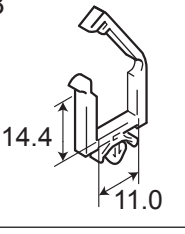
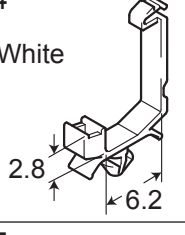
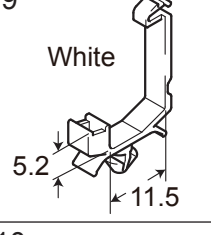
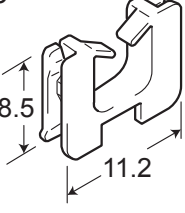
M4:P24	M3:P23
M9:P18	PS3:P23
M5:P18	PS4:P23
PS6:P24	PS8:P18
	SDDB :P17



# WIRING

Key	Part No.	Description	Destinations	Class	QTY	Standard parts
1	A3ERPP7B01	Wire Harness Assy		D	1	
2	A3ERPP7A01	Wire Harness Assy		D	1	

# WIRING ACCESSORIES AND JIGS

1 	6 	11	16	21	26	31	36
2 	7 	12	17	22	27	32	37
3 	8 	13	18	23	28	33	38
4 White 	9 White 	14	19	24	29	34	39
5 	10	15	20	25	30	35	40

WIRING ACCESSORIES AND JIGS

Key	Part No.	Description	Destinations	Class	QTY	Standard parts
1	V500010082	Locking Wire Saddle		D		
2	V500010083	Locking Wire Saddle		D		
3	V500020098	Mini Locking wire saddle		D		
4	V500020099	Mini Locking wire saddle		D		
5	V570010021	Saddle		D		
6	V570010026	Locking Edge Saddle		D		
7	V501010001	band		D		
8	A3EPPDB00	Wire Saddle		D		
9	V500010081	Locking Wire Saddle		D		

# MAINTENANCE LIST

● The items with no Page/Key numbers are not handled as spare parts.

No.	Section	PM Parts Description	Maintenance Cycle (K=1,000)		Parts No.	Destinations	Page/Key	Note
			QTY	Replace				
1	FS-536SD	Paddle (Finisher)	2	2000K	A87GPP0W01		P13-26	*1
2		Paddle (Finisher)	1	2000K	A87GPP0X01		P13-27	*1
3		Upper paddle (Saddle unit)	1	2,000K	A3ERPP3801		P23-23	*1
4		Lower paddle (Saddle unit)	4	2,000K	A3ERPP7Y00		P23-22	*1

\*1: Actual durable cycle (life counter value)

# メンテナンスリスト

● ページ / キーナンバーのないものは、アフターサービス部品ではありません。

No.	区分	PM 部品名称	サイクル (K=1,000)		部品番号	仕向地	頁 / キー	備考
			員数	交換				
1	FS-536SD	パドル(フィニッシャー)	2	2000K	A87GPP0W01		P13-26	*1
2		パドル(フィニッシャー)	1	2000K	A87GPP0X01		P13-27	*1
3		上パドル(サドルユニット)	1	2,000K	A3ERPP3801		P23-23	*1
4		下パドル(サドルユニット)	4	2,000K	A3ERPP7Y00		P23-22	*1

\*1: 実質交換サイクル値 (ライフカウンター値)

DESTINATION

Destination No.		Destinations		V	Hz	Model No.
A	A1	JAPAN		100	50/60	A87GWYA
	A2	JAPAN				
B		USA, CANADA		120	60	A87GWYA, A87GWYE
C		EUROPEAN TYPE		220-240	50/60	A87GWYA
D	D1	S.E ASIA TYPE	THAILAND, SRI LANKA, SINGAPORE, MALAYSIA, HONG KONG, PAKISTAN, INDIA, BANGLADESH, INDONESIA	220-240	50/60	A87GWYA
	D3	OCEANIA TYPE	AUSTRALIA, NEW ZEALAND	220-240	50/60	A87GWYA
E		PHILIPPINES		220-240	50/60	A87GWYA
F	F1	SAUDI ARABIA				
	F2	SAUDI ARABIA		220-240	50/60	A87GWYA
G	G1	C.S AMERICA		220-240	50/60	A87GWYA
	G2	C.S AMERICA				
H		TAIWAN		110	60	A87GWYA
I		JORDAN, LEBANON, SYRIA, SOUTH AFRICA, IRAQ, IRAN, N.YEMEN, CAMEROON, UAE, BAHRAIN, OMAN, QATAR, KUWAIT, KENYA, TUNISIA, IVORY COAST, MOROCCO		220-240	50/60	A87GWYA
J		CHINA		220-240	50/60	A87GWYA
K		KOREA		220-240	50/60	A87GWYA