

KONICA MINOLTA

PARTS GUIDE MANUAL

JANUARY 2018

PC-110
A2XM001

INFORMATION FOR PARTS GUIDE MANUAL

To find correct Parts No., refer to the "HOW TO MAKE THE BEST USE OF THIS MANUAL" in the following page.

HOW TO MAKE THE BEST USE OF THIS MANUAL

- 1 When you order, please check the proper figures beforehand that are on Our Parts Guide Manual, and order with the appropriate figures.
- 2 For screws, Nuts, Washers, retaining rings and Pins which are used in this model, one letter is shown on the Standard parts column of Parts list and exploded diagrams.
- 3 In order to maintain safety of the product, some specific parts composed of this product are set up as "essential safety parts".
- 4 The assigned parts number for the "essential safety parts" is indicated as "SP00-****".
When replacing these parts, follow precautions for disassembling and installing which are listed in the Service Manual.
Do not use any parts that are not set up as
- 5 ♣ means that there are exclusive parts for each destination.
Please check the appropriate destination when you order.
- 6 Revision Mark
Marked as ▲ on the illustration shows that the revision has been made.
- 7 All rights reserved. (any reprints or quotations are prohibited.)
Use of this parts guide manual should be strictly supervised to avoid disclosure of confidential information.

パーツガイドマニュアルのご案内

サービス部品をご発注の際には、下記に示す“パーツガイドマニュアルの活用にあたって”をご参照の上、正しい部品番号にてお願い致します。

パーツガイドマニュアルの活用にあたって

- 1 部品発注の際には、掲載されている部品番号の桁数を確認し、掲載されている桁数で発注願います。
- 2 この製品に使用されているネジ、ナット、ワッシャー、止め輪、ピンなどは、リストの右側の Standard parts 欄に a,b,c,…… で表示し、イラストにも a,b,c,…… 表示してあります。
- 3 製品の安全性を維持する為に、製品に使用される特定の部品を「重要保安部品」として設定しています。
- 4 重要保安部品の部品番号は、“SP00-****”と記載されていますので、部品交換時は、サービスマニュアル記載の分解・組み立ての注意事項に従って作業をして下さい。
また、指定以外の部品は一切使用しないで下さい。
- 5 本文に ♣ が表示されている部品は、仕向け地毎に専用部品がある事を意味しています。
オーダーされる時は、仕向け地を確認して下さい。
- 6 改訂記号について
イラスト上に ▲ 印が表示されている部分は、改訂された事を表します。
- 7 著作権所有（無断転載及び無断引用の禁止）
本パーツガイドマニュアルについては、機密保持等その扱いには十分注意して下さい。万一取り扱いを誤った場合には、法律で処罰されることがあります。

CONTENTS

No.	DESCRIPTION	名称	PAGE No.
1	EXTERNAL PARTS	外装部	P1
2	FRAME SECTION	フレーム部	P2
3	PAPER FEED DRIVE SECTION	駆動部	P3
4	CASSETTE SIZE SECTION	カセットサイズ部	P4
5	PAPER TRANSPORT SECTION	搬送部	P5
6	PAPER TAKE-UP SECTION	給紙部	P6 P7 P8
7	3rd PAPER TRAY UNIT	3 r d 給紙トレイユニット	P9 P9A P10 P10A
8	RECEIPT TRAY	収納トレイ	P11
9	WIRING ACCESSORIES AND JIGS	配線部品・治具	P12
10	ACCESSORY PARTS	同梱部品	P13

INDEX

Parts No.	Page No.
4002311002	4-3
4030301703	8-14
4030320601	10-12
4030320601	10A-12
4030322601	10-5
4030322601	10A-5
4037320401	10-7
4061101000	1-3
4131300301	6-10
4131300301	7-13
4131353202	6-4
4131353202	7-8
4163529301	4-15
4163529301	10A-9
4163529301	10-9
4163529301	11-15
4348202401	1-8
4348305301	5-8
4532341001	8-11
56AA40490	7-16
56AA40490	8-6
9J06M10300	4-4
A00J563600	7-15
A00J563600	8-7
A00J942202	9-14
A00JH00D00	1-5
A02E560800	7-22
A02E561100	7-14
A02E940300	10A-23
A02E940300	10-23
A02E941300	9-20
A02E941500	9-13
A093104001	13-6
A093940800	1-13
A093H00100	2-14
A093M60000	2-1
A0ED563900	8-8
A0ED620200	10-13
A0ED620200	10A-13
A0ED620701	10-18

Parts No.	Page No.
A0ED620701	10A-18
A0ED621400	10-8
A0ED627600	4-7
A0EDM50100	7-1
A0XW608300	13-7
A108213800	6-14
A108M50100	4-9
A108M50100	7-5
A108R90000	6-6
A161103901	2-6
A161560302	7-23
A161560900	7-4
A161561600	7-6
A161562000	7-18
A161562101	7-17
A161562300	7-19
A161562400	7-12
A161562500	7-20
A161562600	7-9
A161562800	7-10
A161563300	8-15
A161563400	8-10
A161563501	8-9
A161564103	8-18
A161564200	8-17
A161564300	8-19
A161564400	8-16
A161567300	7-21
A161567400	7-24
A161568700	8-5
A161568800	8-2
A161620107	10-24
A161620107	11-14
A161620400	10A-6
A161620400	10-6
A161620600	10-3
A161620600	10A-3
A161620701	10-4
A161620701	10A-4
A161620803	10-11

Parts No.	Page No.
A161620904	10-1
A161620904	10A-1
A161621100	10A-20
A161621100	10-20
A161621300	10-10
A161621400	10-15
A161621411	10-15
A161621411	10A-15
A161621600	10-19
A161621600	10A-19
A161621701	10-17
A161621800	10-16
A161621900	10-14
A161622100	9-16
A161622100	9A-16
A161623104	9-2
A161623104	11-3
A161623203	9-15
A161623203	9A-15
A161623203	11-12
A161623400	2-7
A161623400	9-1
A161623400	9A-1
A161623400	11-2
A161624100	10-2
A161624100	10A-2
A161625900	9A-8
A161625900	9-8
A161626000	9A-6
A161626000	9-6
A161626100	9-18
A161626100	9A-18
A161626200	9A-17
A161626200	9-17
A161626602	9A-4
A161626602	9-4
A161626602	11-6
A161626800	9-5
A161626800	9A-5
A161626800	11-7

Parts No.	Page No.
A161626900	9A-9
A161626900	9-9
A161626900	11-10
A161627000	11-13
A161627102	4-5
A161627300	4-6
A161627500	4-11
A161628013	4-12
A161636502	9A-3
A161636502	9-3
A161636502	11-4
A161815300	5-6
A161815400	5-5
A161815500	5-4
A161943000	10-22
A161943000	10A-22
A161943301	13-8
A161943400	13-9
A161943700	10-21
A161943700	10A-21
A161943802	9-12
A161M50501	4-10
A161M50600	4-13
A2XM561002	1-10
A2XM561301	6-9
A2XM561501	2-9
A2XM561600	2-11
A2XM561700	2-10
A2XM561802	2-3
A2XM562001	2-4
A2XM562002	2-4
A2XM562100	2-5
A2XM562601	2-8
A2XM563401	5-2
A2XM563501	5-7
A2XM563600	5-9
A2XM563900	5-3
A2XM564000	5-10
A2XM565200	7-11
A2XM565400	7-26

Parts No.	Page No.
A2XM565800	7-7
A2XM565901	7-2
A2XM566000	7-3
A2XM566101	8-3
A2XM566200	8-4
A2XM566902	8-13
A2XM567401	8-1
A2XM568103	9A-10
A2XM568103	9-10
A2XM568203	11-11
A2XM568300	9-7
A2XM568300	9A-7
A2XM568700	11-9
A2XM568800	11-8
A2XM569001	11-1
A2XM569201	9A-11
A2XM569201	9-11
A2XM569201	11-5
A2XM570100	1-9
A2XM570201	1-1
A2XM570301	1-2
A2XM570400	1-4
A2XM570500	1-6
A2XM570600	1-11
A2XM570802	1-1
A2XM572202	1-14
A2XM572202	1-16
A2XM572300	1-15
A2XM572300	1-17
A2XM590301	3-2
A2XM590501	3-10
A2XM590800	6-5
A2XM590901	3-6
A2XM591002	6-5
A2XM591500	3-5
A2XM591600	3-4
A2XM592100	3-9
A2XM592200	3-8
A2XM592200	6-12
A2XM592300	6-11

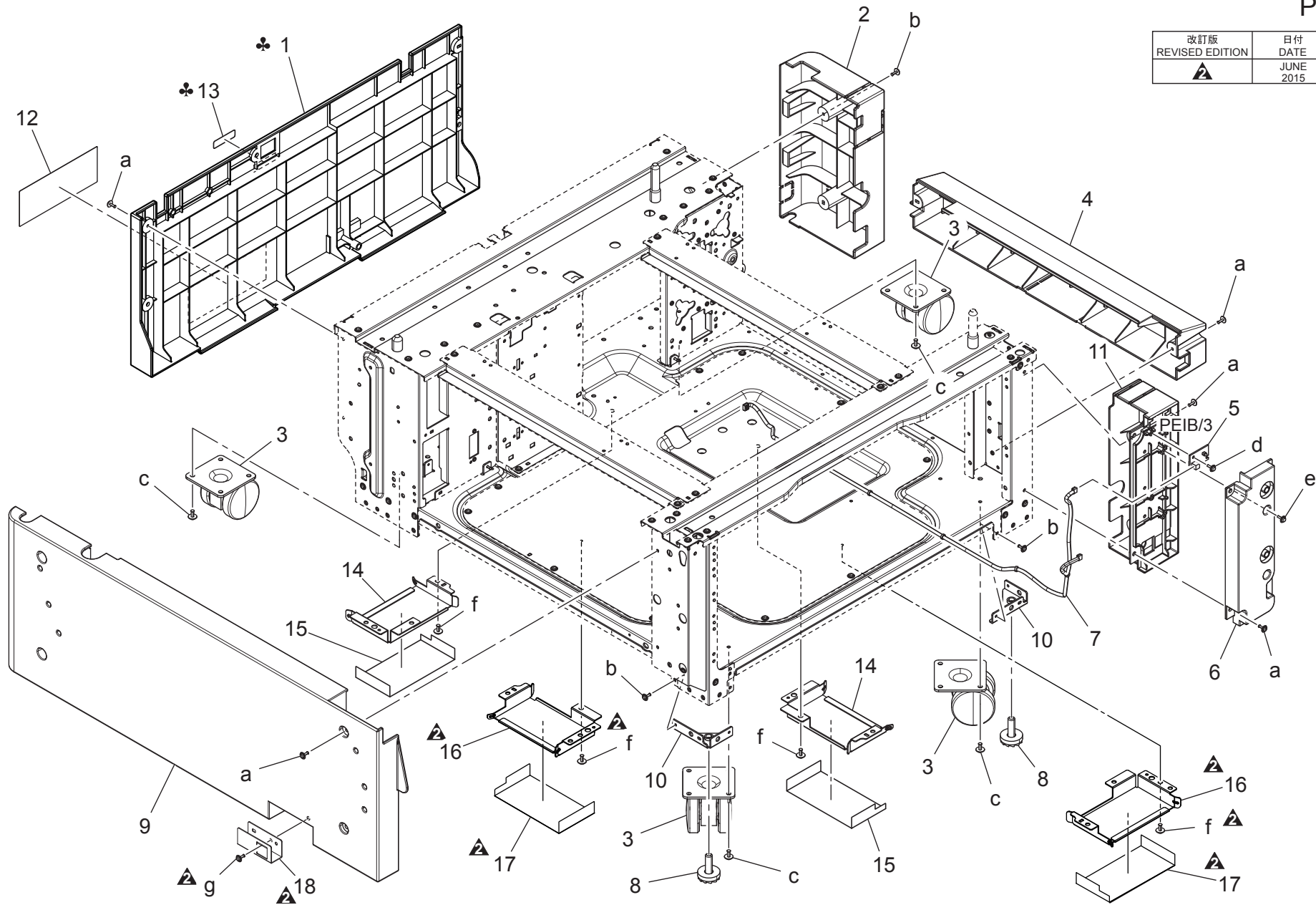
Parts No.	Page No.
A2XM592400	6-1
A2XM592500	6-3
A2XM592602	6-2
A2XM592700	3-7
A2XM593500	6-7
A2XM640700	8-12
A2XM641000	5-1
A2XM940100	9-19
A2XM940100	9A-19
A2XM942301	1-12
A2XMG56100	6-8
A2XMH00101	2-12
A2XMM10000	3-3
A2XMN10001	2-16
A2XMN10101	2-17
A2XMN10300	6-13
A2XMN10702	7-25
A2XMN10D00	4-1
A2XMN10E00	2-15
A2XMN10F00	4-14
A2XMN10G02	1-7
A2XMN10H00	3-1
A2XMR70011	2-2
A2XMR70622	13-16
A2XMR70622	13-16
A2XMR70700	9-23
A2XMR70800	9-23
A2XMR72200	6-15
A3EP957100	1-18
A55V624700	9-22
A55V624700	9A-22
A5C1562200	7-27
A5C1627101	4-5
A5C1627300	4-6
A5C1627500	4-11
A5C1627900	4-7
A5C1628100	9-21
A5C1628100	9A-21
A5C1628100	11-16
A795565000	10A-17

Parts No.	Page No.
A795565100	10A-29
A795565200	10A-32
A795565300	10A-30
A795565400	10A-31
A795565500	10A-28
A795565600	10A-16
A795565700	10A-25
A795565800	10A-27
A795565900	10A-26
A795566000	10A-34
A795620800	10A-11
A795621301	10A-10
A795621900	10A-14
A795622500	10A-35
A795622600	10A-33
A795622700	10A-36
A795942401	9A-12
A79J620100	10A-24
A79J623100	9A-2
A79J941200	9A-14
A79J941300	9A-20
A79J941500	9A-13
A7AH621000	10A-8
A7AH621200	10A-7
A7VA561500	2-18
A7VA564300	2-20
A7VA571200	2-19
A7VA591001	3-11
A9HFR70000	9A-23
V116040804	13-3
V500010082	12-1
V500010083	12-2
V500020098	12-3
V500020099	12-4
V502010033	2-13
V570010021	12-5
V570010026	12-6

EXTERNAL PARTS

P 1

改訂版 REVISED EDITION	日付 DATE
	JUNE 2015

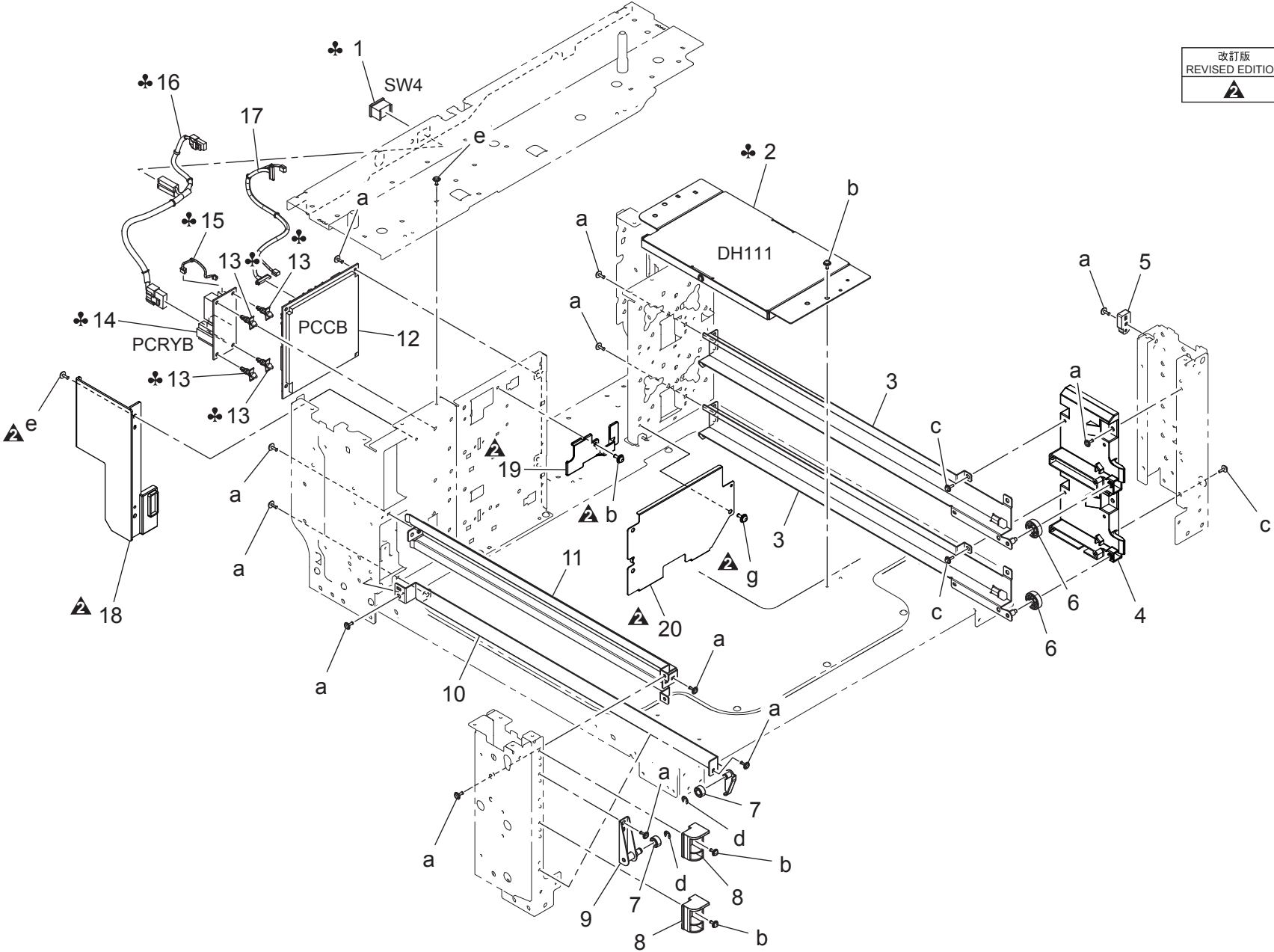


EXTERNAL PARTS

Key	Part No.	Description	Destinations	Class	QTY	Standard parts
1	A2XM570201	Cover /Rear	A,A1	C	1	a-V137030804 b-V137030803 c-V143040803 d-V153030803 e-V153030804 f-V144030603 g-V116031603
1	A2XM570802	Cover /Rear	B,C,D1,D3,E,F2,G1,G 2,H,I,J,K	C	1	
2	A2XM570301	Cover /Right rear		C	1	
3	4061101000	Castor		C	4	
4	A2XM570400	Cover /Right		C	1	
5	A00JH00D00	PWB Assembly LED1		C	1	
6	A2XM570500	Cover		C	1	
7	A2XMN10G02	Indicating Wiring /3		D	1	
8	4348202401	ADJUSTING PLATE		D	2	
9	A2XM570100	Cover /Left		C	1	
10	A2XM561002	Mounting Plate		D	2	
11	A2XM570600	Cover /Right front		C	1	
12	A2XM942301	Label		C	1	
13	A093940800	Label		C	1	
14	A2XM572202	Mounting Plate	A,A1	D	2	
15	A2XM572300	Seal		C	2	
16	A2XM572202	Mounting Plate	(Model No. A2XM-007 /WY7/00C/WYC)	D	2	
17	A2XM572300	Seal	(Model No. A2XM-007 /WY7/00C/WYC)	C	2	
18	A3EP957100	Mounting Plate	(Model No. A2XM-007 /WY7/00C/WYC)	D	1	

FRAME SECTION


改訂版 REVISED EDITION	日付 DATE
	JUNE 2015

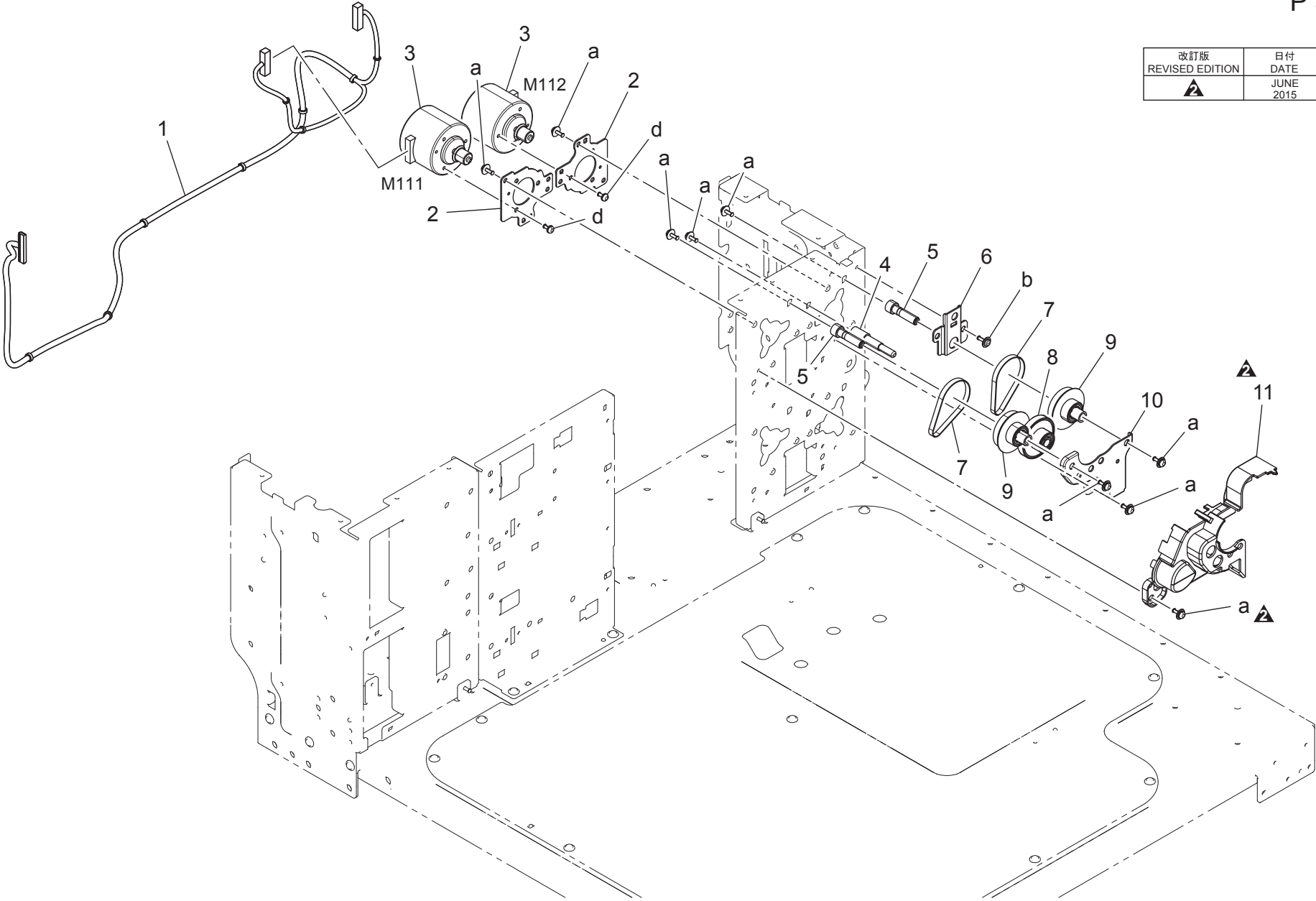


FRAME SECTION

Key	Part No.	Description	Destinations	Class	QTY	Standard parts
1	A093M60000	Rocker switch	A,A1	C	1	a-V137030803 b-V116030803 c-V153030803 d-V217040001 e-V144030803 g-V116030603
2	A2XMR70011	Heater Assy	A,A1	D	1	
3	A2XM561802	Rail		D	2	
4	A2XM562001Old	Holder		D	1	
4	A2XM562002	Holder		D	1	
5	A2XM562100	Holder		D	1	
6	A161103901	Roll		D	2	
7	A161623400	Roll		D	2	
8	A2XM562601	Stopper		D	2	
9	A2XM561501	Mounting Plate		D	1	
10	A2XM561700	Rail		D	1	
11	A2XM561600	Rail		D	1	
12	A2XMH00101	PWB Assembly(PWB-CB_1 ASSY)		I	1	
13	V502010033	Circuit Board Spacer	A,A1	D	4	
14	A093H00100	PWB Assy	A,A1	C	1	
15	A2XMN10E00	Heater Wiring	A,A1	D	1	
16	A2XMN10001	Heater Relay harness	A,A1	D	1	
17	A2XMN10101	Main body Relay harness		C	1	
18	A7VA561500	Cover	(Model No. A2XM-007 /WY7/00C/WYC)	D	1	
19	A7VA571200	Cover	(Model No. A2XM-007 /WY7/00C/WYC)	D	1	
20	A7VA564300	Mounting Plate	(Model No. A2XM-007 /WY7/00C/WYC)	D	1	

PAPER FEED DRIVE SECTION

改訂版 REVISED EDITION	日付 DATE
	JUNE 2015

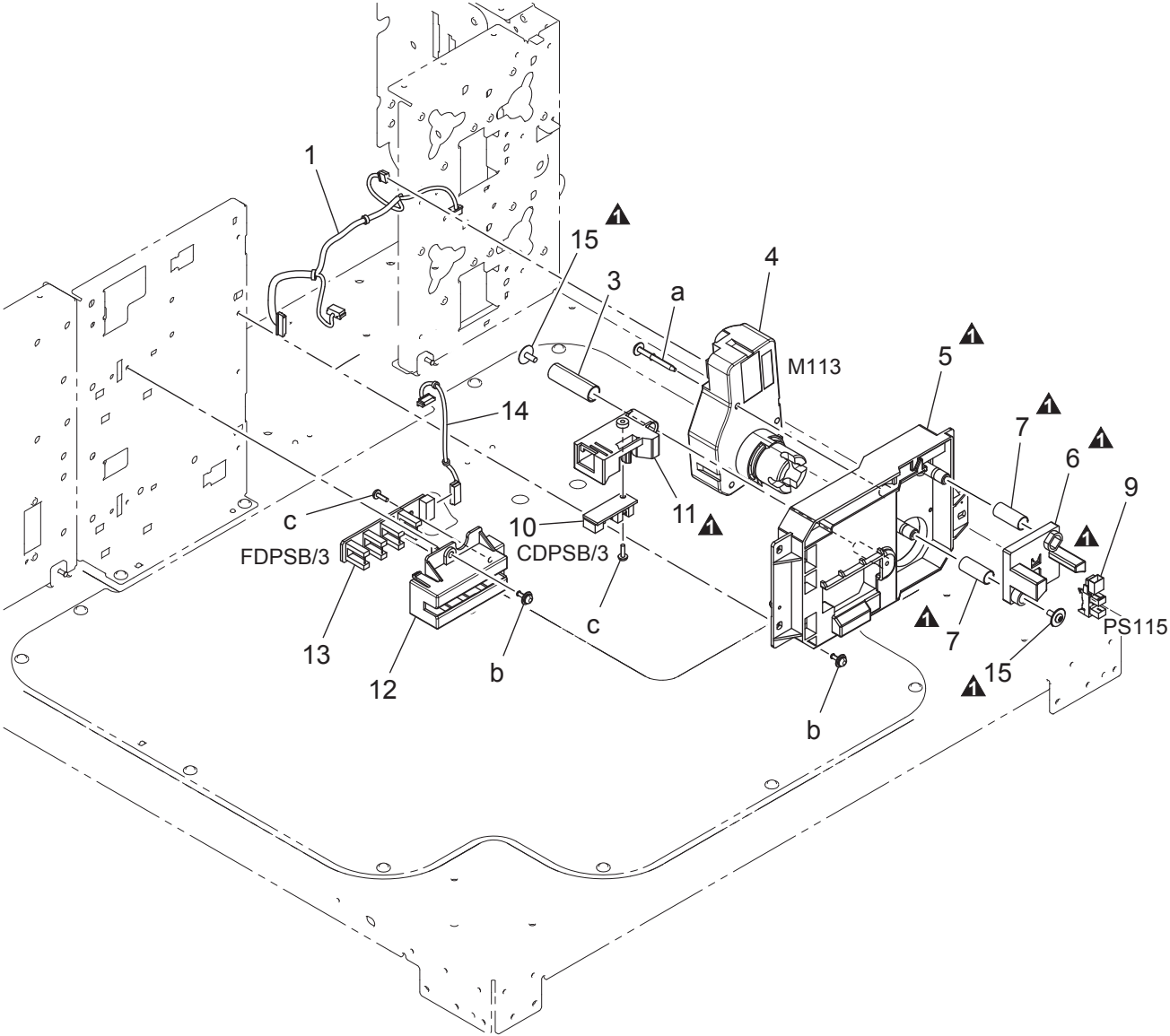


PAPER FEED DRIVE SECTION

Key	Part No.	Description	Destinations	Class	QTY	Standard parts
1	A2XMN10H00	Drive Wiring /1		D	1	a-V116030803 b-V137030803 c-V115030603 d-V115030403
2	A2XM590301	Mounting Plate		D	2	
3	A2XMM10000	Brushless motor		C	2	
4	A2XM591600	Shaft		C	1	
5	A2XM591500	Shaft		C	2	
6	A2XM590901	Mounting Plate		D	1	
7	A2XM592700	Belt		C	2	
8	A2XM592200	Gear		C	1	
9	A2XM592100	Pulley		C	2	
10	A2XM590501	Mounting Plate		D	1	
11	A7VA591001	Cover	(Model No. A2XM-007 /WY7/00C/WYC)	D	1	

CASSETTE SIZE SECTION


改訂版 REVISED EDITION	日付 DATE
▲	AUGUST 2013

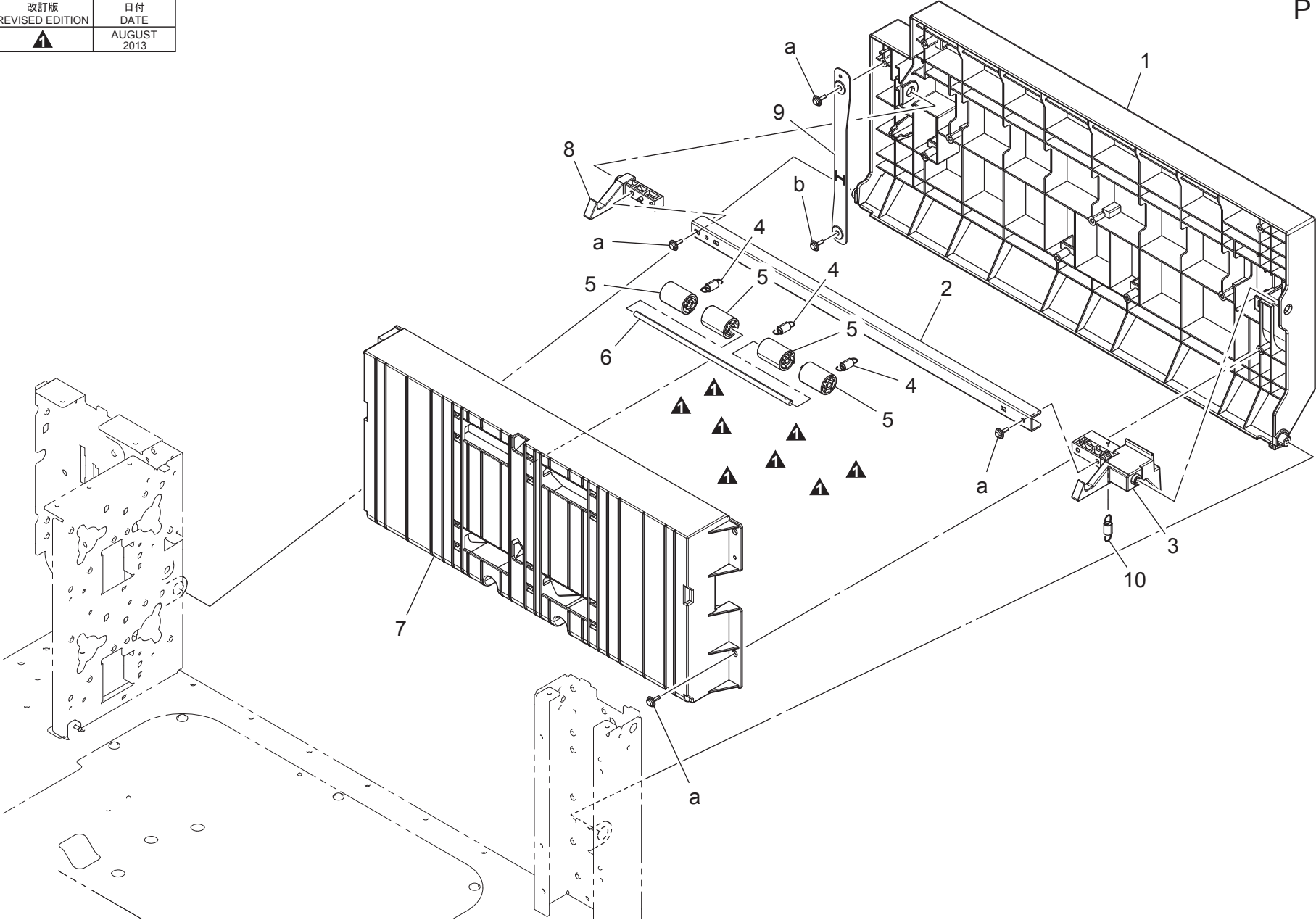


CASSETTE SIZE SECTION

Key	Part No.	Description	Destinations	Class	QTY	Standard parts
1	A2XMN10D00	Paperfeed Wiring /1		D	1	a-V153033003 b-V116030803 c-V145030803
3	4002311002	Pressure Spring		C	1	
4	9J06M10300	MOTOR		B	1	
5	A161627102Old	Holder		D	1	
5	A5C1627101	Holder		D	1	
6	A161627300Old	Holder		D	1	
6	A5C1627300	Holder		D	1	
7	A0ED627600Old	Compressing Coil spring		D	2	
7	A5C1627900	Compressing Coil spring		D	2	
9	A108M50100	Photointerrupter		B	1	
10	A161M50501	Photointerrupter		C	1	
11	A161627500Old	Holder		C	1	
11	A5C1627500	Holder		C	1	
12	A161628013	Holder		C	1	
13	A161M50600	Photointerrupter		C	1	
14	A2XMN10F00	Paperfeed Wiring /2		D	1	
15	4163529301	SCREW		C	2	

PAPER TRANSPORT SECTION


改訂版 REVISED EDITION	日付 DATE
	AUGUST 2013

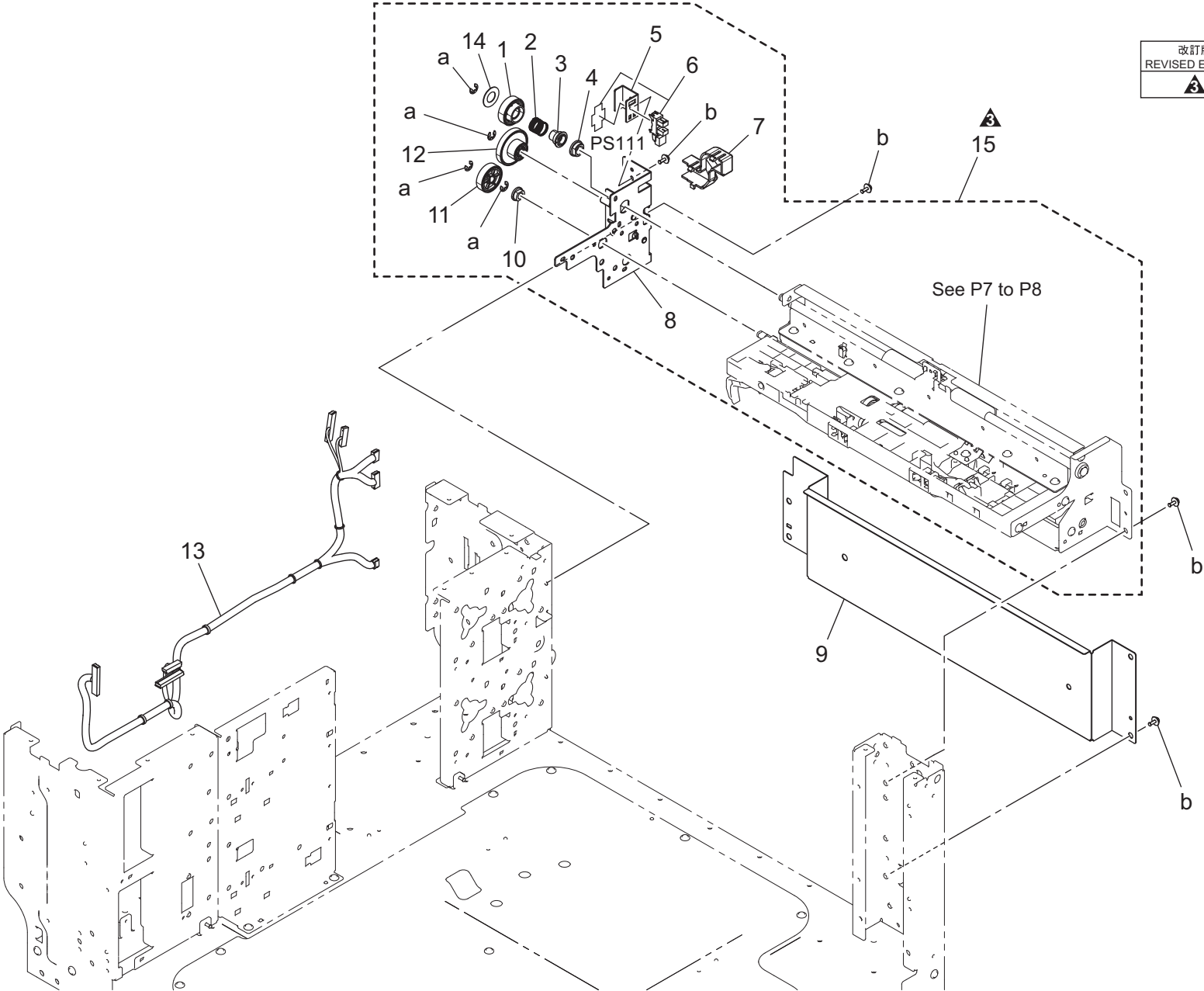


PAPER TRANSPORT SECTION

Key	Part No.	Description	Destinations	Class	QTY	Standard parts
1	A2XM641000	Door		C	1	a-V153030803 b-V116030803
2	A2XM563401	Connecting Plate		D	1	
3	A2XM563900	Lock		C	1	
4	A161815500	Pulling Spring		C	3	
5	A161815400	Roll		C	4	
6	A161815300	Shaft		D	1	
7	A2XM563501	Guide		C	1	
8	4348305301	PAWL		C	1	
9	A2XM563600	Band		C	1	
10	A2XM564000	Pulling Coil spring		C	1	

PAPER TAKE-UP SECTION


改訂版 REVISED EDITION	日付 DATE
	APRIL 2017

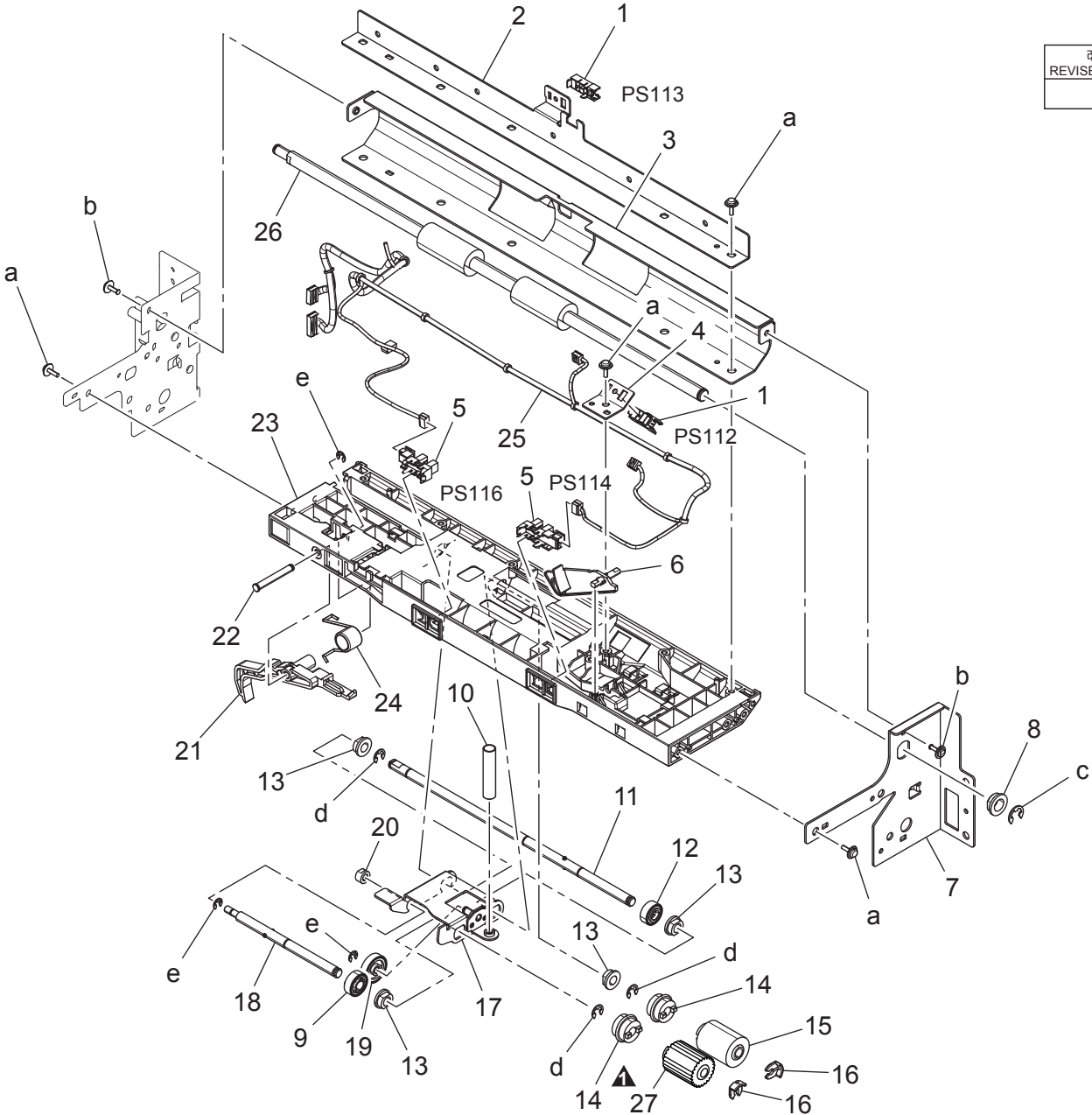


PAPER TAKE-UP SECTION

Key	Part No.	Description	Destinations	Class	QTY	Standard parts
1	A2XM592400	Gear		C	1	a-V217040001 b-V116030803
2	A2XM592602	Spring		C	1	
3	A2XM592500	Guide		C	1	
4	4131353202	BUSHING		C	1	
5	A2XM590800Old	Mounting Plate		D	1	
5	A2XM591002	Mounting Plate		D	1	
6	A108R90000	PHOTO INTERRUPTER		I	1	
7	A2XM593500	Cover		D	1	
8	A2XMG56100	FRAME ASSY		D	1	
9	A2XM561301	Cover		D	1	
10	4131300301	BUSHING		C	1	
11	A2XM592300	Gear		C	1	
12	A2XM592200	Gear		C	1	
13	A2XMN10300	Paperfeed Relay harness /2		D	1	
14	A108213800	Washer		D	1	
15	A2XMR72200	Paper Feed Assy /3rd		S	1	

PAPER TAKE-UP SECTION

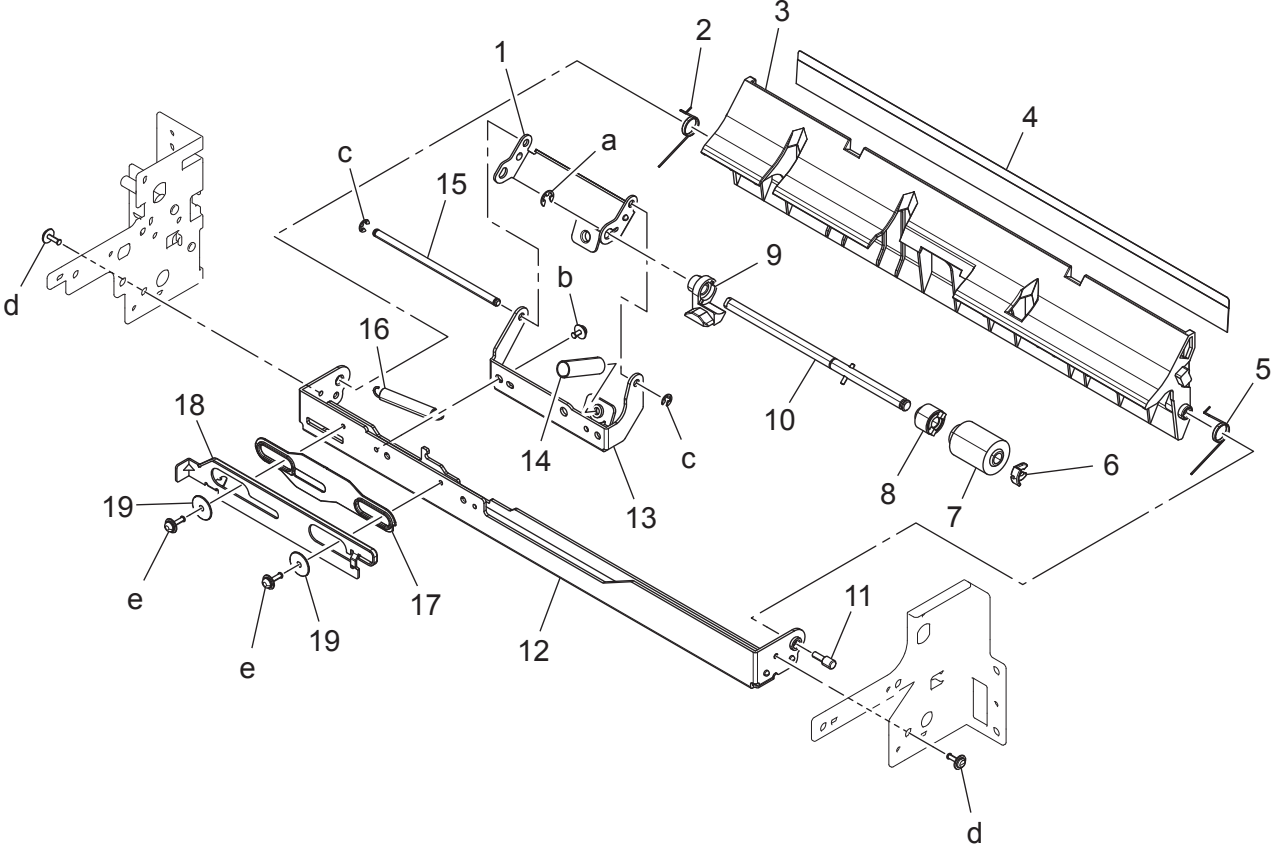
改訂版 REVISED EDITION	日付 DATE
	AUGUST 2013



PAPER TAKE-UP SECTION

Key	Part No.	Description	Destinations	Class	QTY	Standard parts
1	A0EDM50100	Photoreflector		I	2	a-V153030803 b-V137030803 c-V217060001 d-V217040001 e-V217030001
2	A2XM565901	Reinforce Plate	反射型センサ (アンブ内蔵) 補強板 (給紙フレーム)	D	1	
3	A2XM566000	Guide Plate	ガイド板 (縦搬 R)	C	1	
4	A161560900	Mounting Plate	取付板 (給紙用反射センサ)	D	1	
5	A108M50100	Photointerrupter	透過型センサ	B	2	
6	A161561600	Actuator	アクチュエータ (PE)	C	1	
7	A2XM565800	Frame	フレーム (給紙前)	D	1	
8	4131353202	BUSHING	軸受	C	1	
9	A161562600	Gear 28T	ギア 28 T	C	1	
10	A161562800	Compressing Coil spring	圧縮コイルばね	C	1	
11	A2XM565200	Shaft	軸 (給紙)	C	1	
12	A161562400	Gear 26T	ギア 26 T	C	1	
13	4131300301	BUSHING	軸受	C	4	
14	A02E561100	Clutch	クラッチ	C	2	
15	A00J563600	Roller	ローラ	A	1	
16	56AA40490	SHAFT STOPPER 4	軸ストッパ 4	C	2	
17	A161562101	Holder	ホルダ (ピック)	D	1	
18	A161562000	Shaft	軸 (ピック)	D	1	
19	A161562300	Gear 34T	ギア 34 T	C	1	
20	A161562500	Bushing	すべり軸受	C	1	
21	A161567300	Lever	レバー (ピック解除)	C	1	
22	A02E560800	Shaft	シャフト	D	1	
23	A161560302	Paper feed Frame	給紙フレーム	D	1	
24	A161567400	Torsion Spring	ねじりばね (ピック解除)	C	1	
25	A2XMN10702	Conveyance Detection harness /2	搬送検知束線 / 2 (1 / 2 キャビ)	D	1	
26	A2XM565400	Drive Roller	駆動ローラ (縦搬送)	C	1	
27	A5C1562200	Roller	ローラ (ピック)	A	1	

PAPER TAKE-UP SECTION



PAPER TAKE-UP SECTION

Key	Part No.	Description	Destinations	Class	QTY	Standard parts
1	A2XM567401	Holder		C	1	a-V217040001 b-V116030603 c-V217030001 d-V137030803 e-V116031003
2	A161568800	Torsion Coil spring		C	1	
3	A2XM566101	Guide Plate		C	1	
4	A2XM566200	Guide		C	1	
5	A161568700	Torsion Coil spring		C	1	
6	56AA40490	SHAFT STOPPER 4		C	1	
7	A00J563600	Roller		A	1	
8	A0ED563900	Torque limiter		C	1	
9	A161563501	Guide		D	1	
10	A161563400	Shaft		D	1	
11	4532341001	SHOULDER SCREW		D	1	
12	A2XM640700	Mounting Plate		D	1	
13	A2XM566902	Mounting Plate		D	1	
14	4030301703	PRESSURE SPRING		C	1	
15	A161563300	Shaft		D	1	
16	A161564400	Pulling Coil spring		C	1	
17	A161564200	Spacer		D	1	
18	A161564103	Lever		D	1	
19	A161564300	Spacer		D	2	

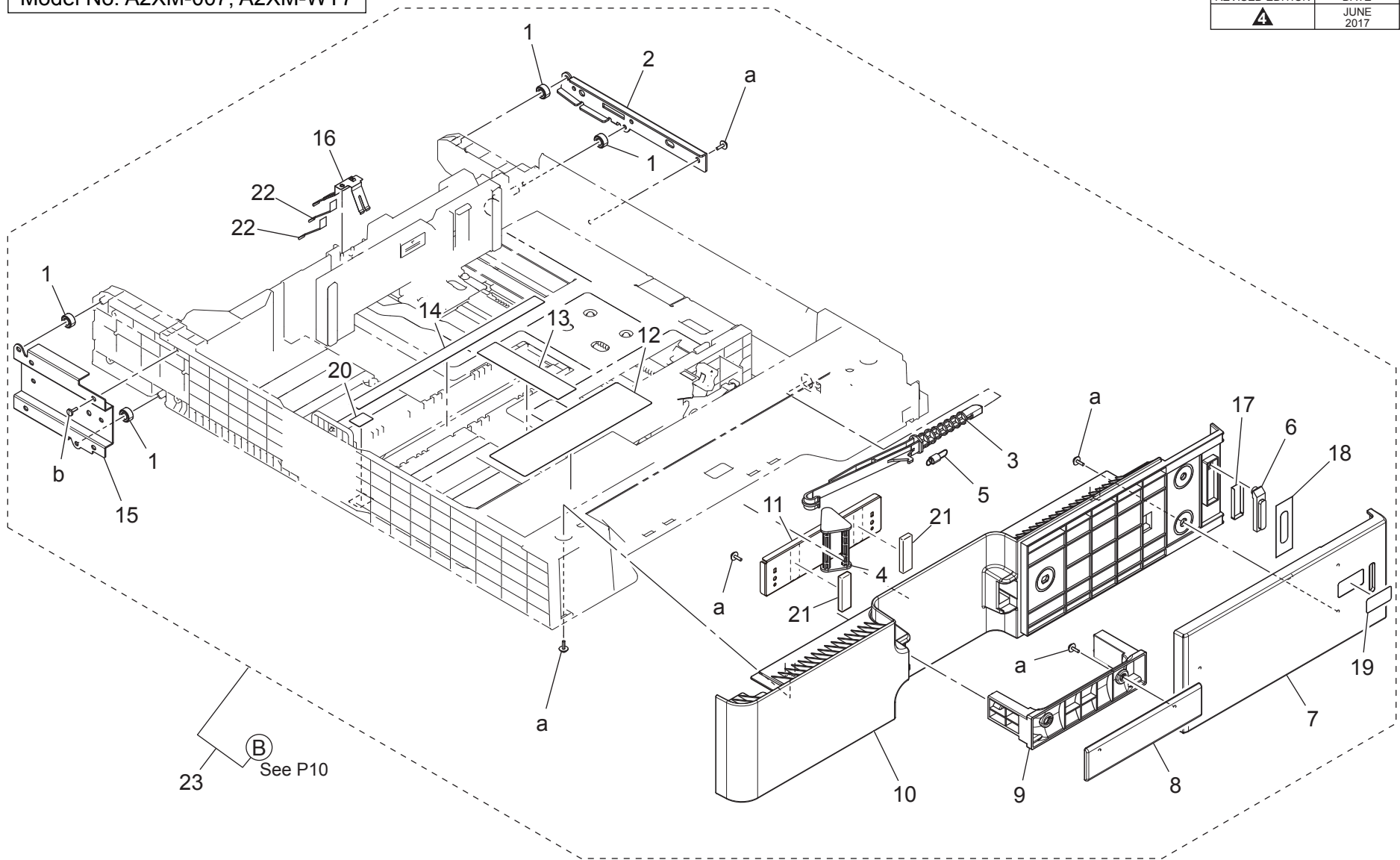
3rd PAPER TRAY UNIT

Model No. A2XM-001, A2XM-WY1

Model No. A2XM-007, A2XM-WY7

P 9

改訂版 REVISED EDITION	日付 DATE
	JUNE 2017



Key	Part No.	Description	Destinations	Class	QTY	Standard parts
1	A161623400	Roll	ころ (Model No.A2XM-001, A2XM-007,A2XM-WY1,A 2XM-WY7)	D	4	a-V153030803 b-V149030803
2	A161623104	Reinforce Plate /Right	補強板ノ右 (Model No.A2XM-001, A2XM-007,A2XM-WY1,A 2XM-WY7)	D	1	
3	A161636502	Lever	レバー (ロック) (Model No.A2XM-001, A2XM-007,A2XM-WY1,A 2XM-WY7)	C	1	
4	A161626602	Lever	レバー (解除) (Model No.A2XM-001, A2XM-007,A2XM-WY1,A 2XM-WY7)	C	1	
5	A161626800	Pulling Coil spring	引張りコイルばね (ロックレバー) (Model No.A2XM-001, A2XM-007,A2XM-WY1,A 2XM-WY7)	C	1	
6	A161626000	Lens	レンズ (ライトガイド・給紙) (Model No.A2XM-001, A2XM-007,A2XM-WY1,A 2XM-WY7)	D	1	
7	A2XM568300	Cover	カバー (3rdパレット) (Model No.A2XM-001, A2XM-007,A2XM-WY1,A 2XM-WY7)	C	1	
8	A161625900	Cover	カバー (カセット取手) (Model No.A2XM-001, A2XM-007,A2XM-WY1,A 2XM-WY7)	C	1	
9	A161626900	Handle	取手 (カセット) (Model No.A2XM-001, A2XM-007,A2XM-WY1,A 2XM-WY7)	C	1	
10	A2XM568103	Cover	カバー (3rdカセット) (Model No.A2XM-001, A2XM-007,A2XM-WY1,A 2XM-WY7)	C	1	
11	A2XM569201	Holder	ホルダ (取手) (Model No.A2XM-001, A2XM-007,A2XM-WY1,A 2XM-WY7)	D	1	
12	A161943802	Label	ラベル (用紙補給) (Model No.A2XM-001, A2XM-007,A2XM-WY1,A 2XM-WY7)	C	1	
13	A02E941500	Label Cd	ラベル CD (Model No.A2XM-001, A2XM-007,A2XM-WY1,A 2XM-WY7)	C	1	
14	A00J942202	Label FD	ラベル FD (Model No.A2XM-001, A2XM-007,A2XM-WY1,A 2XM-WY7)	C	1	
15	A161623203	Reinforce Plate /Left	補強板ノ左 (Model No.A2XM-001, A2XM-007,A2XM-WY1,A 2XM-WY7)	D	1	
16	A161622100	Ground Plate	アース板 (カセット) (Model No.A2XM-001, A2XM-007,A2XM-WY1,A 2XM-WY7)	D	1	
17	A161626200	Sheet	シート (反射板) (Model No.A2XM-001, A2XM-007,A2XM-WY1,A 2XM-WY7)	D	1	
18	A161626100	Light blocking Sheet	遮光シート (Model No.A2XM-001, A2XM-007,A2XM-WY1,A 2XM-WY7)	D	1	

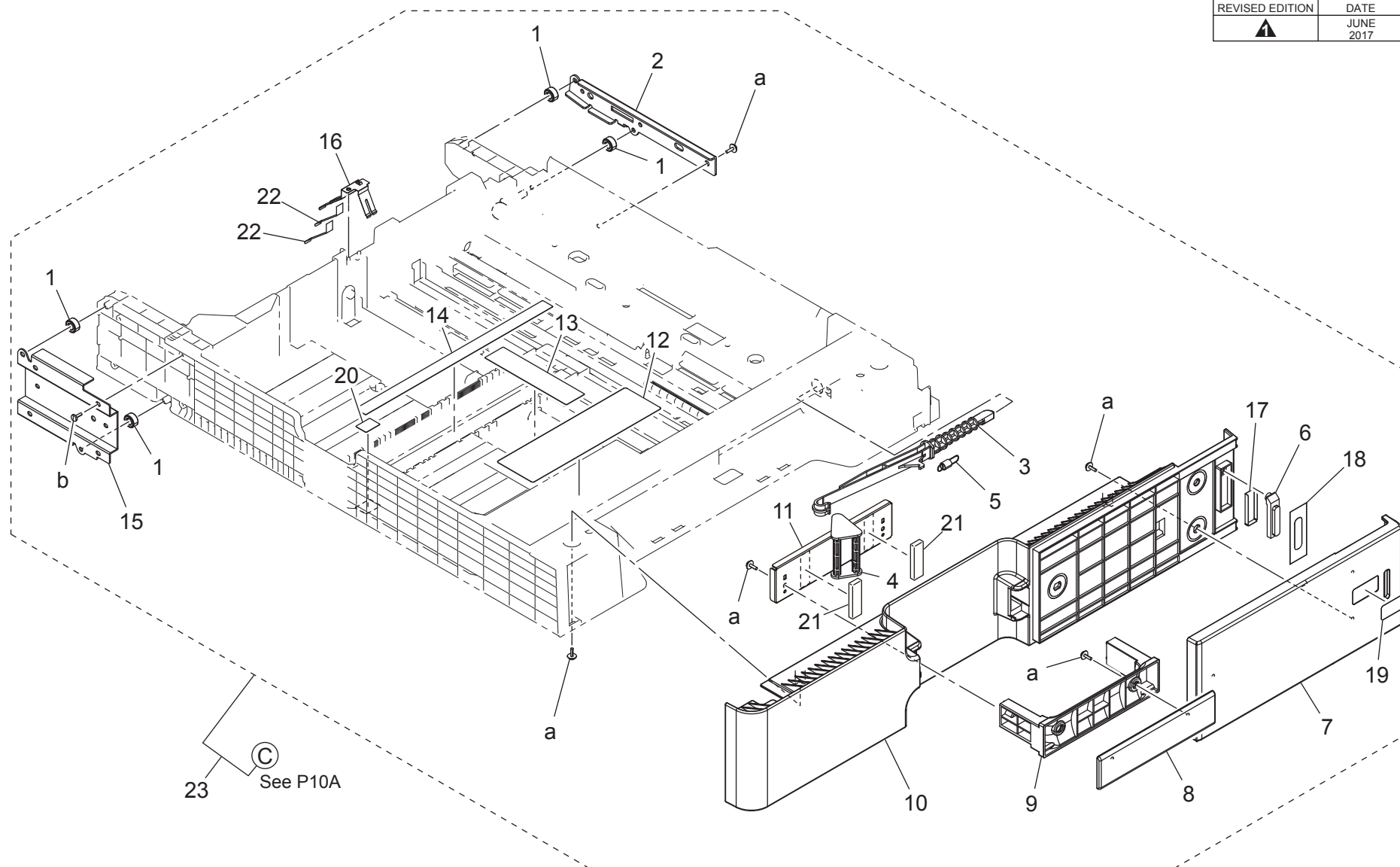
Key	Part No.	Description	Destinations	Class	QTY	Standard parts	
19	A2XM940100	Label	ラベル (給紙段数表示3)	(Model No.A2XM-001, A2XM-007,A2XM-WY1,A 2XM-WY7)	C	1	
20	A02E941300	Label Fd	ラベル F D	(Model No.A2XM-001, A2XM-007,A2XM-WY1,A 2XM-WY7)	C	1	
21	A5C1628100	Cushion	クッション	(Model No.A2XM-001, A2XM-007,A2XM-WY1,A 2XM-WY7)	D	2	
22	A55V624700	Protection Sheet	保護シート	(Model No. A2XM-007 /WY7)	C	2	
23	A2XMR70700	Cassette Assy	カセット A s s y	(Model No.A2XM-001/ WY1)	S	1	
23	A2XMR70800	Cassette Assy	カセット A s s y	(Model No.A2XM-007/ WY7)	S	1	

3rd PAPER TRAY UNIT

Model No. A2XM-00C, A2XM-WYC

▲ P 9A

改訂版 REVISED EDITION	日付 DATE
▲	JUNE 2017



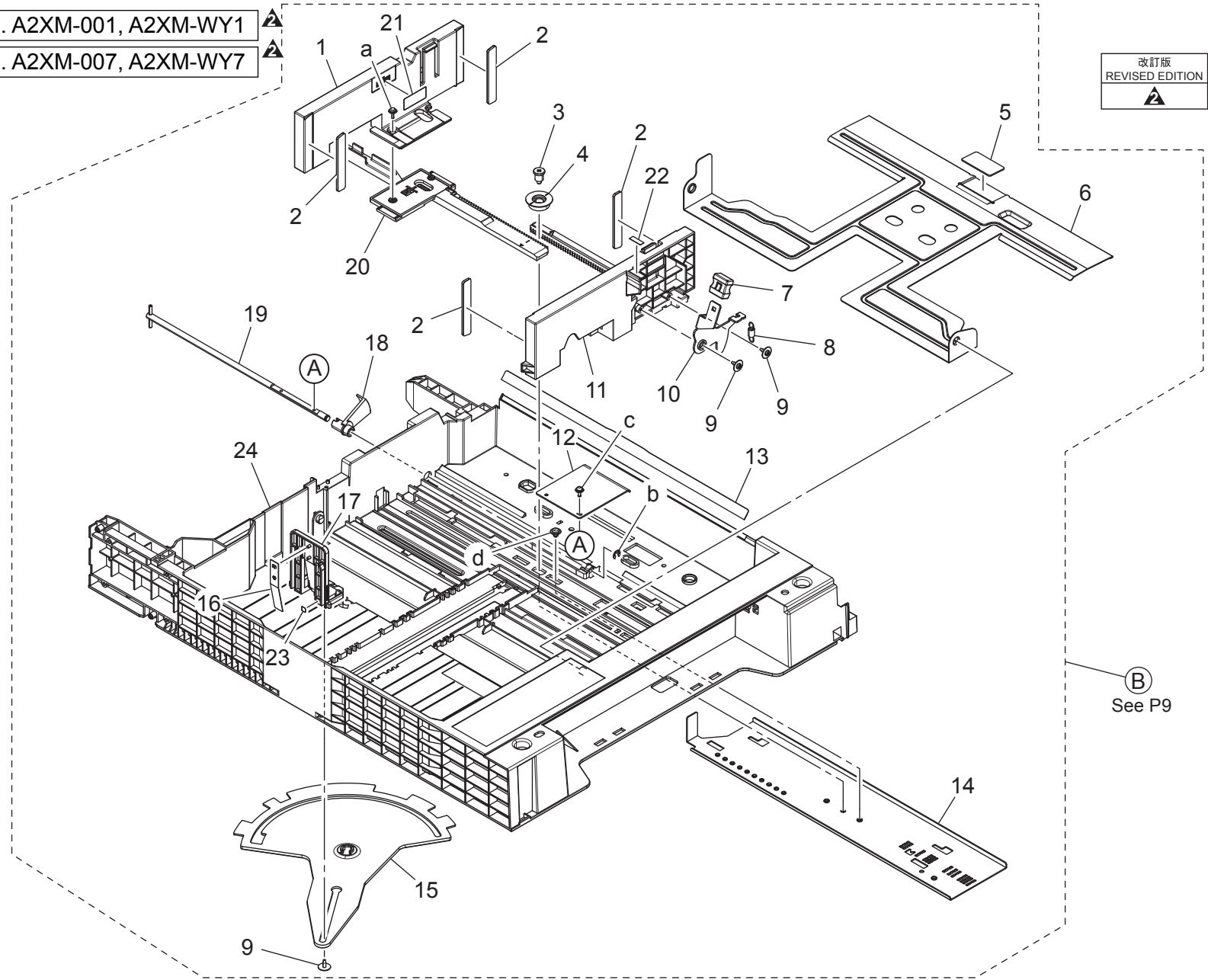
3rd PAPER TRAY UNIT

Key	Part No.	Description	Destinations	Class	QTY	Standard parts
1	A161623400	Roll	ころ (Model No.A2XM-00C, A2XM-WYC)	D	4	a-V153030803 b-V149030803
2	A79J623100	Reinforce Plate /Right	補強板/右 (Model No.A2XM-00C, A2XM-WYC)	D	1	
3	A161636502	Lever	レバー (ロック) (Model No.A2XM-00C, A2XM-WYC)	C	1	
4	A161626602	Lever	レバー (解除) (Model No.A2XM-00C, A2XM-WYC)	C	1	
5	A161626800	Pulling Coil spring	引張りコイルばね (ロックレバー) (Model No.A2XM-00C, A2XM-WYC)	C	1	
6	A161626000	Lens	レンズ (ライトガイド・給紙) (Model No.A2XM-00C, A2XM-WYC)	D	1	
7	A2XM568300	Cover	カバー (3rdパレット) (Model No.A2XM-00C, A2XM-WYC)	C	1	
8	A161625900	Cover	カバー (カセット取手) (Model No.A2XM-00C, A2XM-WYC)	C	1	
9	A161626900	Handle	取手 (カセット) (Model No.A2XM-00C, A2XM-WYC)	C	1	
10	A2XM568103	Cover	カバー (3rdカセット) (Model No.A2XM-00C, A2XM-WYC)	C	1	
11	A2XM569201	Holder	ホルダ (取手) (Model No.A2XM-00C, A2XM-WYC)	D	1	
12	A795942401	Label	ラベル (用紙補給) (Model No.A2XM-00C, A2XM-WYC)	C	1	
13	A79J941500	Label CD	ラベル CDスケール (Model No.A2XM-00C, A2XM-WYC)	C	1	
14	A79J941200	Label FD	ラベル FDスケール/1 (Model No.A2XM-00C, A2XM-WYC)	C	1	
15	A161623203	Reinforce Plate /Left	補強板/左 (Model No.A2XM-00C, A2XM-WYC)	D	1	
16	A161622100	Ground Plate	アース板 (カセット) (Model No.A2XM-00C, A2XM-WYC)	D	1	
17	A161626200	Sheet	シート (反射板) (Model No.A2XM-00C, A2XM-WYC)	D	1	
18	A161626100	Light blocking Sheet	遮光シート (Model No.A2XM-00C, A2XM-WYC)	D	1	
19	A2XM940100	Label	ラベル (給紙段数表示3) (Model No.A2XM-00C, A2XM-WYC)	C	1	
20	A79J941300	Label FD	ラベル FDスケール/2 (Model No.A2XM-00C, A2XM-WYC)	C	1	
21	A5C1628100	Cushion	クッション (Model No.A2XM-00C, A2XM-WYC)	D	2	
22	A55V624700	Protection Sheet	保護シート (Model No.A2XM-00C, A2XM-WYC)	C	2	
23	A9HFR70000	Cassette Assy/ Upper	カセット A S S Y /上 (Model No.A2XM-00C, A2XM-WYC)	S	1	

3rd PAPER TRAY UNIT

Model No. A2XM-001, A2XM-WY1
 Model No. A2XM-007, A2XM-WY7

改訂版 REVISED EDITION	日付 DATE
	JUNE 2017



Key	Part No.	Description	Destinations	Class	QTY	Standard parts
1	A161620904	Regulating Plate /Rear	規制板/後 (Model No.A2XM-001, A2XM-007,A2XM-WY1,A 2XM-WY7)	C	1	a-V153030803 b-V217040001 c-V116030803 d-V144040603
2	A161624100	Cushion	クッション (ガイド) (Model No.A2XM-001, A2XM-007,A2XM-WY1,A 2XM-WY7)	C	4	
3	A161620600	Shoulder screw	段ねじ (Model No.A2XM-001, A2XM-007,A2XM-WY1,A 2XM-WY7)	D	1	
4	A161620701	Gear	ギア (Model No.A2XM-001, A2XM-007,A2XM-WY1,A 2XM-WY7)	D	1	
5	4030322601	FRICITION SHEET	摩擦板 (Model No.A2XM-001, A2XM-007,A2XM-WY1,A 2XM-WY7)	C	1	
6	A161620400	Lifting Plate	押上げ板 (Model No.A2XM-001, A2XM-007,A2XM-WY1,A 2XM-WY7)	D	1	
7	4037320401	KNOB	つまみ (Model No.A2XM-001, A2XM-007,A2XM-WY1,A 2XM-WY7)	C	1	
8	A0ED621400	Pulling Coil spring	引張りコイルばね (Model No.A2XM-001, A2XM-007,A2XM-WY1,A 2XM-WY7)	D	1	
9	4163529301	SCREW	ねじ (Model No.A2XM-001, A2XM-007,A2XM-WY1,A 2XM-WY7)	C	3	
10	A161621300	Lever	レバー (Model No.A2XM-001, A2XM-007,A2XM-WY1,A 2XM-WY7)	D	1	
11	A161620803	Regulating Plate /Front	規制板/前 (Model No.A2XM-001, A2XM-007,A2XM-WY1,A 2XM-WY7)	C	1	
12	4030320601	LEVER	レバー (Model No.A2XM-001, A2XM-007,A2XM-WY1,A 2XM-WY7)	D	1	
13	A0ED620200	Guide	ガイド (前さばき) (Model No.A2XM-001, A2XM-007,A2XM-WY1,A 2XM-WY7)	C	1	
14	A161621900	Mounting Plate	取付板 (Model No.A2XM-001, A2XM-007,A2XM-WY1,A 2XM-WY7)	D	1	
15	A161621400Old	Lever	レバー (Model No.A2XM-001, A2XM-007,A2XM-WY1,A 2XM-WY7)	C	1	
15	A161621411	Lever	レバー (Model No.A2XM-001, A2XM-007,A2XM-WY1,A 2XM-WY7)	C	1	
16	A161621800	Plate spring	板ばね (Model No.A2XM-001, A2XM-007,A2XM-WY1,A 2XM-WY7)	C	1	
17	A161621701	Regulating Plate	規制板 (後端) (Model No.A2XM-001, A2XM-007,A2XM-WY1,A 2XM-WY7)	C	1	
18	A0ED620701	Actuator	アクチュエータ (Model No.A2XM-001, A2XM-007,A2XM-WY1,A 2XM-WY7)	C	1	

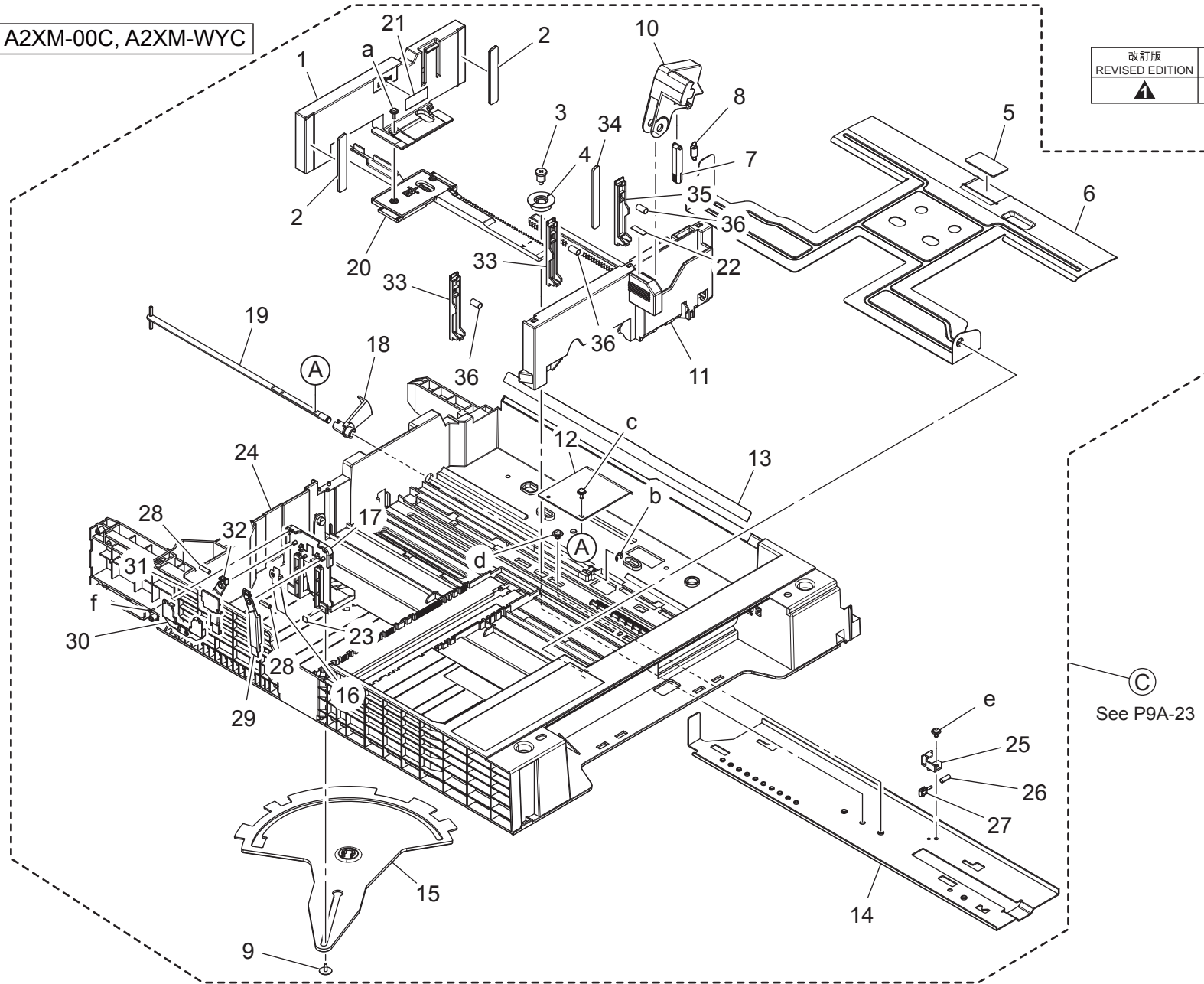
Key	Part No.	Description		Destinations	Class	QTY	Standard parts
19	A161621600	Lifting Shaft	押上げ軸	(Model No.A2XM-001, A2XM-007,A2XM-WY1,A 2XM-WY7)	D	1	
20	A161621100	Rack	ラック	(Model No.A2XM-001, A2XM-007,A2XM-WY1,A 2XM-WY7)	C	1	
21	A161943700	Label Max Level	ラベル 積載量	(Model No.A2XM-001, A2XM-007,A2XM-WY1,A 2XM-WY7)	C	1	
22	A161943000	Label	ラベル	(Model No.A2XM-001, A2XM-007,A2XM-WY1,A 2XM-WY7)	C	1	
23	A02E940300	Label	ラベル	(Model No.A2XM-001, A2XM-007,A2XM-WY1,A 2XM-WY7)	C	1	
24	A161620107	Paper feed Cassette	給紙カセット (A 3)	(Model No.A2XM-001, A2XM-007,A2XM-WY1,A 2XM-WY7)	D	1	

3rd PAPER TRAY UNIT

Model No. A2XM-00C, A2XM-WYC

▲ P 10A

改訂版 REVISED EDITION	日付 DATE
▲	JUNE 2017



See P9A-23

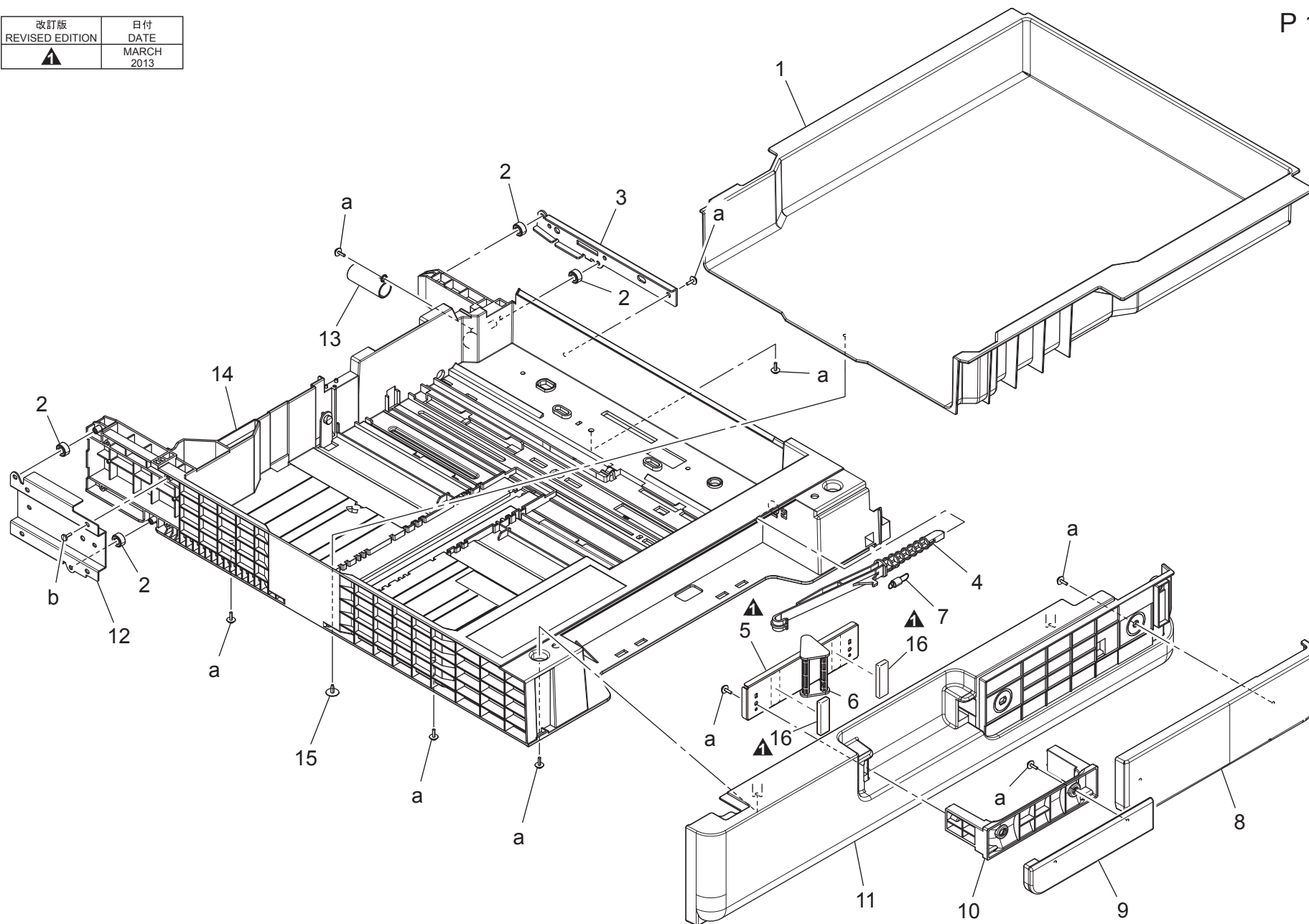
Key	Part No.	Description	Destinations	Class	QTY	Standard parts
1	A161620904	Regulating Plate /Rear	規制板/後 (Model No.A2XM-00C, A2XM-WYC)	C	1	a-V153030803 b-V217040001 c-V116030803 d-V144040603 e-V127030604 f-V166170504
2	A161624100	Cushion	クッション (ガイド) (Model No.A2XM-00C, A2XM-WYC)	C	2	
3	A161620600	Shoulder screw	段ねじ (Model No.A2XM-00C, A2XM-WYC)	D	1	
4	A161620701	Gear	ギア (Model No.A2XM-00C, A2XM-WYC)	D	1	
5	4030322601	FRICITION SHEET	摩擦板 (Model No.A2XM-00C, A2XM-WYC)	C	1	
6	A161620400	Lifting Plate	押上げ板 (Model No.A2XM-00C, A2XM-WYC)	D	1	
7	A7AH621200	Lock Lever	ロックレバー (Model No.A2XM-00C, A2XM-WYC)	D	1	
8	A7AH621000	Pulling Coil spring	引張りコイルばね (Model No.A2XM-00C, A2XM-WYC)	C	1	
9	4163529301	SCREW	ねじ (Model No.A2XM-00C, A2XM-WYC)	C	1	
10	A795621301	Operation Lever	操作レバー (Model No.A2XM-00C, A2XM-WYC)	C	1	
11	A795620800	Regulating Plate	規制板 (Model No.A2XM-00C, A2XM-WYC)	C	1	
12	4030320601	LEVER	レバー (Model No.A2XM-00C, A2XM-WYC)	D	1	
13	A0ED620200	Guide	ガイド (前さばき) (Model No.A2XM-00C, A2XM-WYC)	C	1	
14	A795621900	Mounting Plate	取付板 (Model No.A2XM-00C, A2XM-WYC)	D	1	
15	A161621411	Lever	レバー (Model No.A2XM-00C, A2XM-WYC)	C	1	
16	A795565600	Plate spring	板ばね (Model No.A2XM-00C, A2XM-WYC)	C	1	
17	A795565000	Regulating Plate	規制板 (Model No.A2XM-00C, A2XM-WYC)	D	1	
18	A0ED620701	Actuator	アクチュエータ (Model No.A2XM-00C, A2XM-WYC)	C	1	
19	A161621600	Lifting Shaft	押上げ軸 (Model No.A2XM-00C, A2XM-WYC)	D	1	
20	A161621100	Rack	ラック (Model No.A2XM-00C, A2XM-WYC)	C	1	
21	A161943700	Label Max Level	ラベル 積載量 (Model No.A2XM-00C, A2XM-WYC)	C	1	
22	A161943000	Label	ラベル (Model No.A2XM-00C, A2XM-WYC)	C	1	
23	A02E940300	Label	ラベル (Model No.A2XM-00C, A2XM-WYC)	C	1	
24	A79J620100	Paper feed Cassette	給紙カセット (Model No.A2XM-00C, A2XM-WYC)	D	1	
25	A795565700	Holder	ホルダ (Model No.A2XM-00C, A2XM-WYC)	C	1	
26	A795565900	Compressing Spring	圧縮ばね (Model No.A2XM-00C, A2XM-WYC)	C	1	
27	A795565800	Lever	レバー (Model No.A2XM-00C, A2XM-WYC)	C	1	

Key	Part No.	Description		Destinations	Class	QTY	Standard parts
28	A795565500	Compressing Spring	圧縮ばね	(Model No.A2XM-00C, A2XM-WYC)	C	2	
29	A795565100	Lock Lever	ロックレバー	(Model No.A2XM-00C, A2XM-WYC)	C	1	
30	A795565300	Cover	カバー	(Model No.A2XM-00C, A2XM-WYC)	C	1	
31	A795565400	Operation Lever	操作レバー	(Model No.A2XM-00C, A2XM-WYC)	C	1	
32	A795565200	Lock Lever	ロックレバー	(Model No.A2XM-00C, A2XM-WYC)	C	1	
33	A795622600	Auxiliary Guide /2	補助ガイド / 2	(Model No.A2XM-00C, A2XM-WYC)	C	2	
34	A795566000	Cushion	クッション	(Model No.A2XM-00C, A2XM-WYC)	C	1	
35	A795622500	Auxiliary Guide /1	補助ガイド / 1	(Model No.A2XM-00C, A2XM-WYC)	C	1	
36	A795622700	Compressing Spring	圧縮ばね	(Model No.A2XM-00C, A2XM-WYC)	C	3	

RECEIPT TRAY

改訂版 REVISED EDITION	日付 DATE MARCH 2013
------------------------	-----------------------------

P 11



PC-110

RECEIPT TRAY

Key	Part No.	Description	Destinations	Class	QTY	Standard parts
1	A2XM569001	Cassette		D	1	a-V153030803 b-V149030803
2	A161623400	Roll		D	4	
3	A161623104	Reinforce Plate /Right		D	1	
4	A161636502	Lever		C	1	
5	A2XM569201	Holder		D	1	
6	A161626602	Lever		C	1	
7	A161626800	Pulling Coil spring		C	1	
8	A2XM568800	Cover		C	1	
9	A2XM568700	Cover		C	1	
10	A161626900	Handle		C	1	
11	A2XM568203	Cover		C	1	
12	A161623203	Reinforce Plate /Left		D	1	
13	A161627000	Compressing Coil spring		C	1	
14	A161620107	Paper feed Cassette		D	1	
15	4163529301	SCREW		C	1	
16	A5C1628100	Cushion		D	2	

WIRING ACCESSORIES AND JIGS

<p>1</p>	<p>6</p>						
<p>2</p>							
<p>3</p>							
<p>4</p> <p>White</p>							
<p>5</p>							

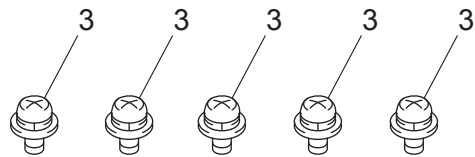
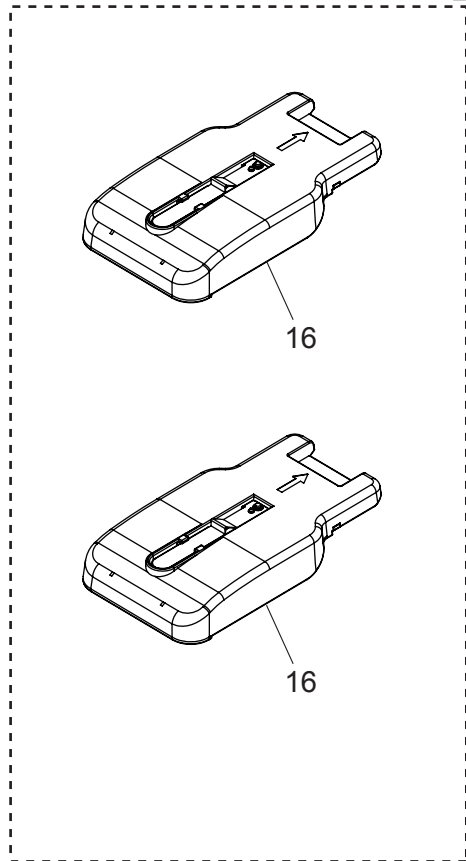
WIRING ACCESSORIES AND JIGS

Key	Part No.	Description	Destinations	Class	QTY	Standard parts
1	V500010082	Locking Wire Saddle		D		
2	V500010083	Locking Wire Saddle		D		
3	V500020098	Mini Locking wire saddle		D		
4	V500020099	Mini Locking wire saddle		D		
5	V570010021	Saddle		D		
6	V570010026	Locking Edge Saddle		D		

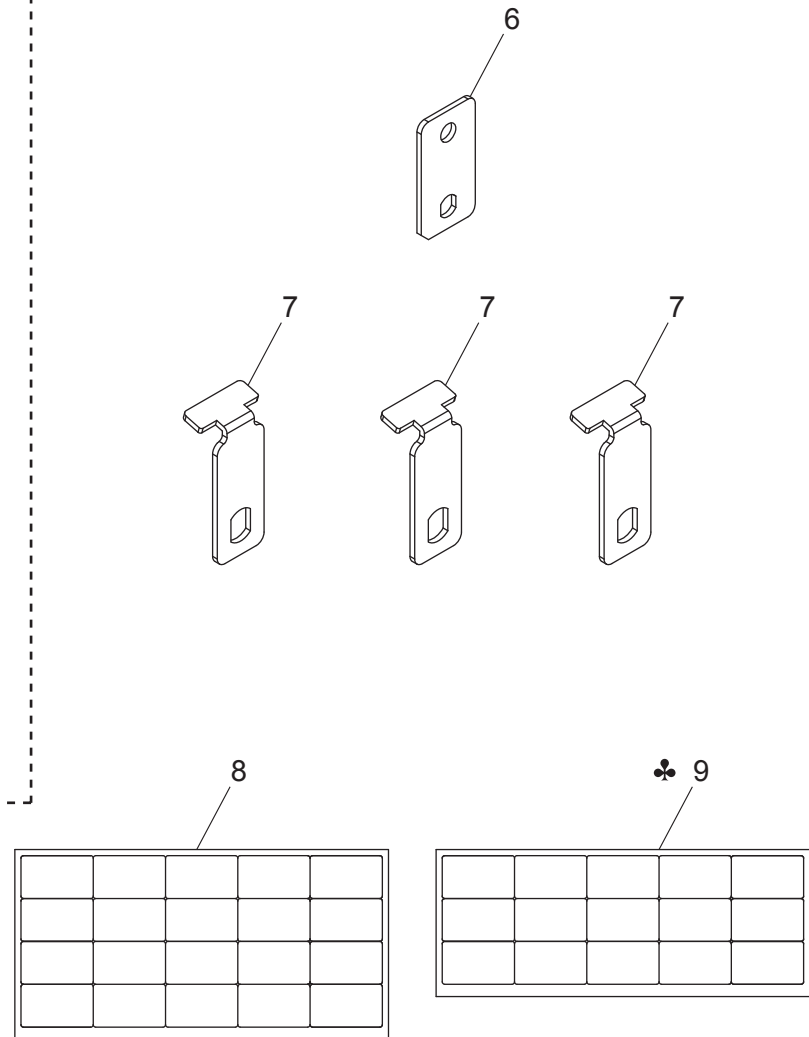
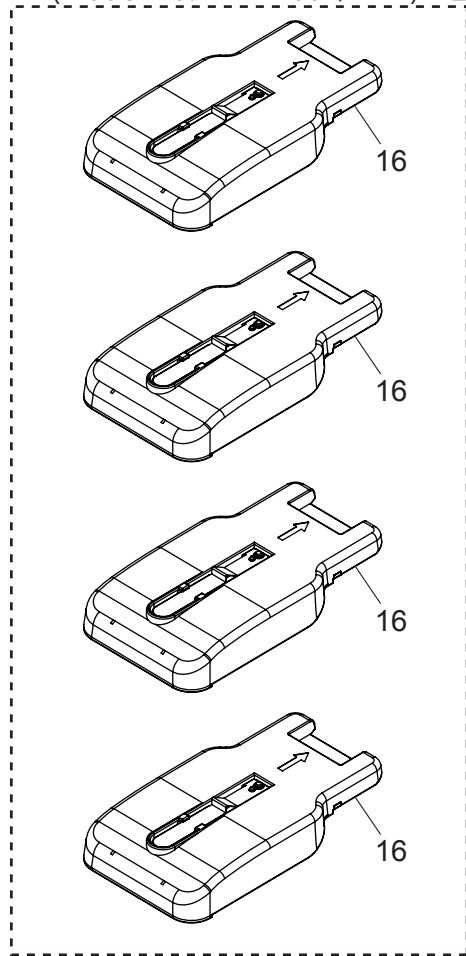
ACCESSORY PARTS

改訂版 REVISED EDITION	日付 DATE
	JANUARY 2017

(Model No. A2XM-001/WY1) 



(Model No. A2XM-007/WY7) 



MAINTENANCE LIST

● The items with no Page/Key numbers are not handled as spare parts.

No.	Section	PM Parts Description	Maintenance Cycle (K=1,000)		Parts No.	Destinations	Page/Key	Note
			QTY	Replace				
1	Paper Take-up Section	Pick-up roller	1	300K	A5C1562200		P7-27	*1 *2
2		Feed roller	1	300K	A00J563600		P7-15	*1 *2
3		Separation roller	1	300K	A00J563600		P8-7	*1 *2

*1: Actual durable cycle (life counter value)

*2: Replace those parts at the same time.

メンテナンスリスト

● ページ / キーナンバーのないものは、アフターサービス部品ではありません。

No.	区分	PM 部品名称	サイクル (K=1,000)		部品番号	仕向地	頁 / キー	備考
			員数	交換				
1	給紙部	ピックアップローラー	1	300K	A5C1562200		P7-27	*1 *2
2		給紙ローラー	1	300K	A00J563600		P7-15	*1 *2
3		分離ローラー	1	300K	A00J563600		P8-7	*1 *2

*1: ライフカウンター値

*2: 同時交換する。

DESTINATION

Destination No.		Destinations		V	Hz	Model No.
A	A1	JAPAN		100	50/60	A2XM-001/ A2XM-007/ A2XM-00C
	A2	JAPAN				
B		USA, CANADA		120	60	A2XM-WY1/ A2XM-WY7/ A2XM-WYC
C		EUROPEAN TYPE		220-240	50/60	A2XM-WY1/ A2XM-WY7/ A2XM-WYC
D	D1	S.E ASIA TYPE	THAILAND, SRI LANKA, SINGAPORE, MALAYSIA, HONG KONG, PAKISTAN, INDIA, BANGLADESH, INDONESIA	220-240	50/60	A2XM-WY1/ A2XM-WY7/ A2XM-WYC
	D3	OCEANIA TYPE	AUSTRALIA, NEW ZEALAND			
E		PHILIPPINES		220-240	50/60	A2XM-WY1/ A2XM-WY7/ A2XM-WYC
F	F1	SAUDI ARABIA		220-240	50/60	A2XM-WY1/ A2XM-WY7/ A2XM-WYC
	F2	SAUDI ARABIA				

Destination No.		Destinations	V	Hz	Model No.
G	G1	C.S AMERICA	220-240	50/60	A2XM-WY1/ A2XM-WY7/ A2XM-WYC
	G2	C.S AMERICA	120	60	A2XM-WY1/ A2XM-WY7/ A2XM-WYC
H		TAIWAN	110	60	A2XM-WY1/ A2XM-WY7/ A2XM-WYC
I		JORDAN, LEBANON, SYRIA, SOUTH AFRICA, IRAQ, IRAN, N.YEMEN, CAMER- OON, UAE, BAHRAIN, OMAN, QATAR, KUWAIT, KENYA, TUNISIA, IVORY COAST, MOROCCO	220-240	50/60	A2XM-WY1/ A2XM-WY7/ A2XM-WYC
J		CHINA	220-240	50/60	A2XM-WY1/ A2XM-WY7/ A2XM-WYC
K		KOREA	220-240	50/60	A2XM-WY1/ A2XM-WY7/ A2XM-WYC