

KONICA MINOLTA

# *PARTS GUIDE MANUAL*

---

*MAY 2017*

*PC-113*  
*A7VA001*

## INFORMATION FOR PARTS GUIDE MANUAL

To find correct Parts No., refer to the "HOW TO MAKE THE BEST USE OF THIS MANUAL" in the following page.

### HOW TO MAKE THE BEST USE OF THIS MANUAL

- 1 When you order, please check the proper figures beforehand that are on Our Parts Guide Manual, and order with the appropriate figures.
- 2 For screws, Nuts, Washers, retaining rings and Pins which are used in this model, one letter is shown on the Standard parts column of Parts list and exploded diagrams.
- 3 In order to maintain safety of the product, some specific parts composed of this product are set up as "essential safety parts".
- 4 The assigned parts number for the "essential safety parts" is indicated as "SP00-\*\*\*\*".  
When replacing these parts, follow precautions for disassembling and installing which are listed in the Service Manual.  
Do not use any parts that are not set up as
- 5 ♣ means that there are exclusive parts for each destination.  
Please check the appropriate destination when you order.
- 6 Revision Mark  
Marked as ▲ on the illustration shows that the revision has been made.
- 7 All rights reserved. (any reprints or quotations are prohibited.)  
Use of this parts guide manual should be strictly supervised to avoid disclosure of confidential information.

## パーツガイドマニュアルのご案内

サービス部品をご発注の際には、下記に示す“パーツガイドマニュアルの活用にあたって”をご参照の上、正しい部品番号にてお願い致します。

### パーツガイドマニュアルの活用にあたって

- 1 部品発注の際には、掲載されている部品番号の桁数を確認し、掲載されている桁数で発注願います。
- 2 この製品に使用されているネジ、ナット、ワッシャー、止め輪、ピンなどは、リストの右側の Standard parts 欄に a,b,c,…… で表示し、イラストにも a,b,c,…… 表示してあります。
- 3 製品の安全性を維持する為に、製品に使用される特定の部品を「重要保安部品」として設定しています。
- 4 重要保安部品の部品番号は、“SP00-\*\*\*\*”と記載されていますので、部品交換時は、サービスマニュアル記載の分解・組み立ての注意事項に従って作業をして下さい。  
また、指定以外の部品は一切使用しないで下さい。
- 5 本文に ♣ が表示されている部品は、仕向け地毎に専用部品がある事を意味しています。  
オーダーされる時は、仕向け地を確認して下さい。
- 6 改訂記号について  
イラスト上に ▲ 印が表示されている部分は、改訂された事を表します。
- 7 著作権所有（無断転載及び無断引用の禁止）  
本パーツガイドマニュアルについては、機密保持等その扱いには十分注意して下さい。万一取り扱いを誤った場合には、法律で処罰されることがあります。

# CONTENTS

No.	DESCRIPTION	名称	PAGE No.
1	EXTERNAL PARTS	外装部	P1
2	FRAME SECTION	フレーム部	P2
3	PAPER FEED DRIVE SECTION	駆動部	P3
4	CASSETTE SIZE SECTION	カセットサイズ部	P4
5	PAPER TRANSPORT SECTION	搬送部	P5
6	PAPER TAKE-UP SECTION	給紙部	P6 P7 P8
7	3rd PAPER TRAY UNIT	3 r d 給紙トレイユニット	P9 P9A P10 P10A
8	RECEIPT TRAY	収納トレイ	P11
9	WIRING ACCESSORIES AND JIGS	配線部品・治具	P12
10	ACCESSORY PARTS	同梱部品	P13

# INDEX

Parts No.	Page No.
1053310301	5-2
4002311002	4-3
4030301703	8-14
4030320601	10A-12
4030320601	10-14
4030322601	10A-5
4030322601	10-7
4037320401	10-9
4040720100	5-17
4061101000	1-6
4131300301	6-12
4131300301	7-13
4131353202	6-5
4131353202	7-8
4163529301	2-15
4163529301	4-2
4163529301	10A-9
4163529301	10-11
4163529301	11-11
4532341001	8-11
56AA40490	7-16
56AA40490	8-6
9J06M10300	4-4
A00J563600	7-15
A00J563600	8-7
A00J942202	9-13
A02E560800	7-22
A02E561100	7-14
A02E940300	10-18
A02E940300	10A-23
A02E941300	9-14
A02E941500	9-12
A093940800	1-3
A093H00100	2-23
A093M60000	2-4
A0ED563900	8-8
A0ED620200	10A-13
A0ED620200	10-15
A0ED620701	10A-18
A0ED620701	10-21

Parts No.	Page No.
A0ED621400	10-10
A0EDM50100	7-1
A0XW608300	13-8
A108213800	6-1
A161103901	2-9
A161560302	7-23
A161560900	7-4
A161561600	7-6
A161562000	7-18
A161562101	7-17
A161562300	7-19
A161562400	7-12
A161562500	7-20
A161562600	7-9
A161562800	7-10
A161563300	8-15
A161563400	8-10
A161563501	8-9
A161564103	8-18
A161564200	8-17
A161564300	8-19
A161564400	8-16
A161567300	7-21
A161567400	7-24
A161568700	8-5
A161568800	8-2
A161620107	10-24
A161620107	11-14
A161620400	10A-6
A161620400	10-8
A161620600	10A-3
A161620600	10-4
A161620701	10A-4
A161620701	10-5
A161620803	10-13
A161620904	10-1
A161620904	10A-1
A161621100	10A-20
A161621100	10-23
A161621300	10-12

Parts No.	Page No.
A161621411	10A-15
A161621411	10-17
A161621600	10A-19
A161621600	10-22
A161621701	10-20
A161621800	10-19
A161621900	10-16
A161622100	9A-14
A161622100	9-17
A161623104	9-2
A161623104	11-3
A161623203	9A-13
A161623203	9-15
A161623203	11-12
A161623400	2-11
A161623400	9-1
A161623400	9A-1
A161623400	11-2
A161624100	10A-2
A161624100	10-3
A161626602	9A-4
A161626602	9-6
A161626602	11-7
A161626800	9-4
A161626800	9A-5
A161626800	11-5
A161627000	11-13
A161628013	4-8
A161636502	9-3
A161636502	9A-3
A161636502	11-4
A161815400	5-13
A161815500	5-8
A161943000	10-6
A161943000	10A-22
A161943700	10-2
A161943700	10A-21
A161M50501	4-7
A161M50600	4-9
A1UD192400	2-13

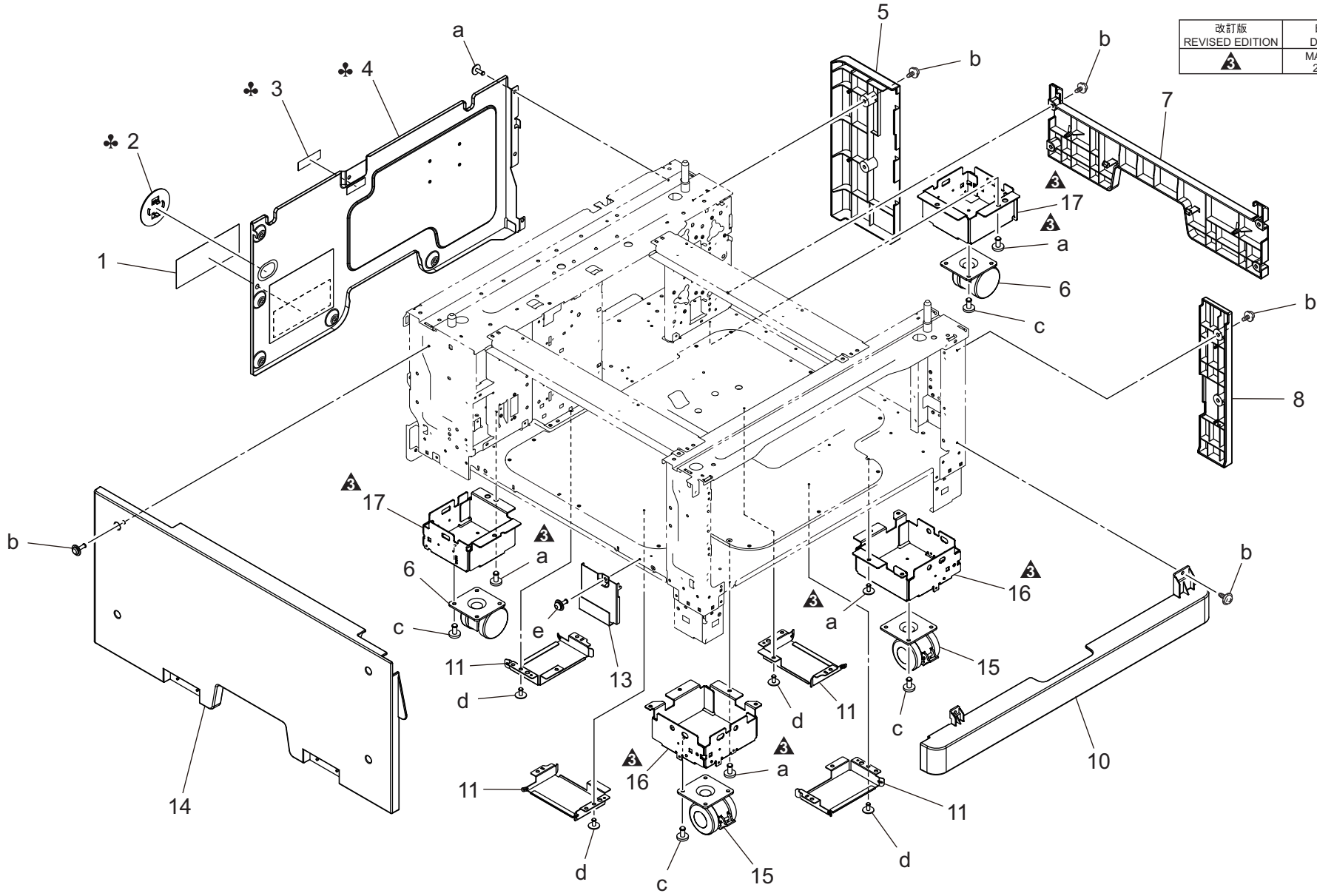
Parts No.	Page No.
A2XM561501	2-16
A2XM561600	2-18
A2XM561700	2-19
A2XM561802	2-6
A2XM562002	2-8
A2XM562100	2-7
A2XM565200	7-11
A2XM565400	7-26
A2XM565901	7-2
A2XM566000	7-3
A2XM566101	8-3
A2XM566200	8-4
A2XM566902	8-13
A2XM567401	8-1
A2XM569001	11-1
A2XM569201	9-7
A2XM569201	9A-9
A2XM569201	11-8
A2XM572202	1-11
A2XM590501	3-10
A2XM590901	3-6
A2XM591002	6-6
A2XM591500	3-5
A2XM591600	3-4
A2XM592100	3-9
A2XM592200	3-8
A2XM592200	6-14
A2XM592300	6-13
A2XM592400	6-2
A2XM592500	6-4
A2XM592602	6-3
A2XM592700	3-7
A2XM640700	8-12
A2XM942301	1-1
A2XMN10702	7-25
A2XMN10E00	2-24
A2XMN10F00	4-10
A2XMR70011	2-5
A2Y1812300	7-8
A55V624700	9-16

Parts No.	Page No.
A55V624700	9A-16
A5C1562200	7-27
A5C1627101	4-5
A5C1627500	4-6
A5C1M50100	7-5
A5C1R90000	6-7
A795565000	10A-17
A795565100	10A-29
A795565200	10A-32
A795565300	10A-30
A795565400	10A-31
A795565500	10A-28
A795565600	10A-16
A795565700	10A-25
A795565800	10A-27
A795565900	10A-26
A795566000	10A-34
A795620800	10A-11
A795621301	10A-10
A795621900	10A-14
A795622500	10A-35
A795622600	10A-33
A795622700	10A-36
A795942401	9A-10
A795942401	9-11
A79J620100	10A-24
A79J623100	9A-2
A79J941200	9A-12
A79J941300	9A-15
A79J941500	9A-11
A7AH621000	10A-8
A7AH621200	10A-7
A7AH626901	9A-8
A7AH626901	9-9
A7AH942000	13-3
A7AH942100	13-4
A7VA560300	7-2
A7VA561300	6-10
A7VA561500	2-20
A7VA562000	5-15

Parts No.	Page No.	Parts No.	Page No.
A7VA563400	5-16	A7VAM10000	3-2
A7VA563501	5-16	A7VAN10000	2-1
A7VA563600	5-3	A7VAN10100	2-2
A7VA564300	2-10	A7VAN10300	2-3
A7VA565400	7-26	A7VAN10D00	4-1
A7VA565800	7-7	A7VAN10H00	3-1
A7VA568101	9A-7	A7VAR70300	9-18
A7VA568101	9-10	A7VAR70500	13-2
A7VA568201	11-10	A7VAR70600	13-1
A7VA568300	13-7	A7VAR70700	6-9
A7VA568400	13-6	A7VAR71000	9A-17
A7VA570100	1-14	A7VAR7A000	6-11
A7VA570200	1-4	A860571900	1-15
A7VA570300	1-5	V116040804	13-5
A7VA570402	1-7	V500010046	12-7
A7VA570500	1-4	V500010082	12-1
A7VA570600	1-8	V500010083	12-2
A7VA571200	2-17	V500020098	12-3
A7VA571400	1-2	V500020099	12-4
A7VA590300	3-3	V500020101	12-8
A7VA591001	3-11	V502010033	2-22
A7VA593500	6-8	V570010021	12-5
A7VA603100	1-17	V570010026	12-6
A7VA603701	1-16		
A7VA610401	1-10		
A7VA616000	5-18		
A7VA626901	11-9		
A7VA630400	5-7		
A7VA630500	5-11		
A7VA630600	5-9		
A7VA630700	5-4		
A7VA630800	5-6		
A7VA632300	2-12		
A7VA632402	2-14		
A7VA815300	5-14		
A7VA815400	5-14		
A7VA940100	9A-6		
A7VA940100	9-8		
A7VA957100	1-13		
A7VAH00100	2-21		

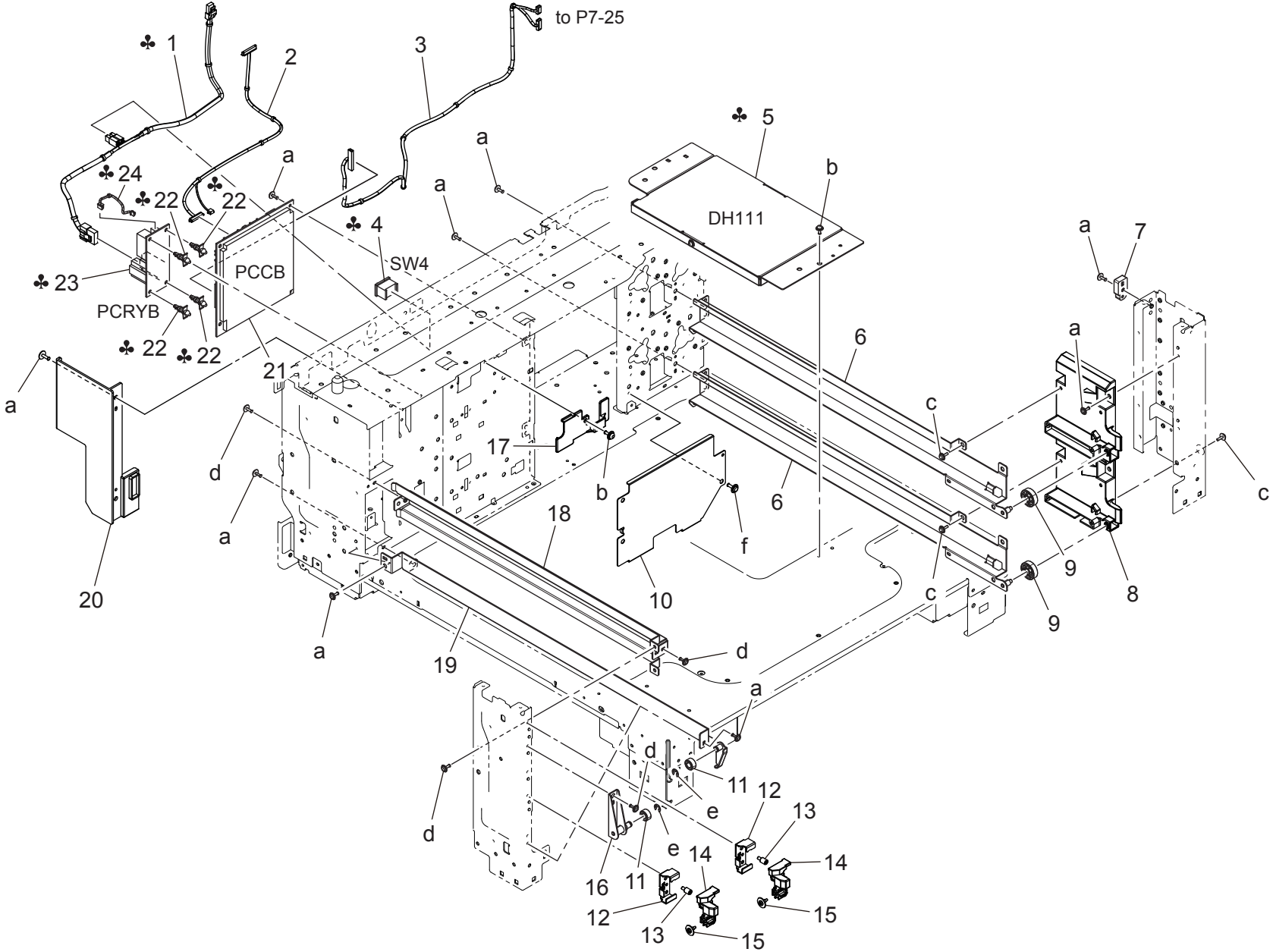
# EXTERNAL PARTS

改訂版 REVISED EDITION	日付 DATE
	MARCH 2017





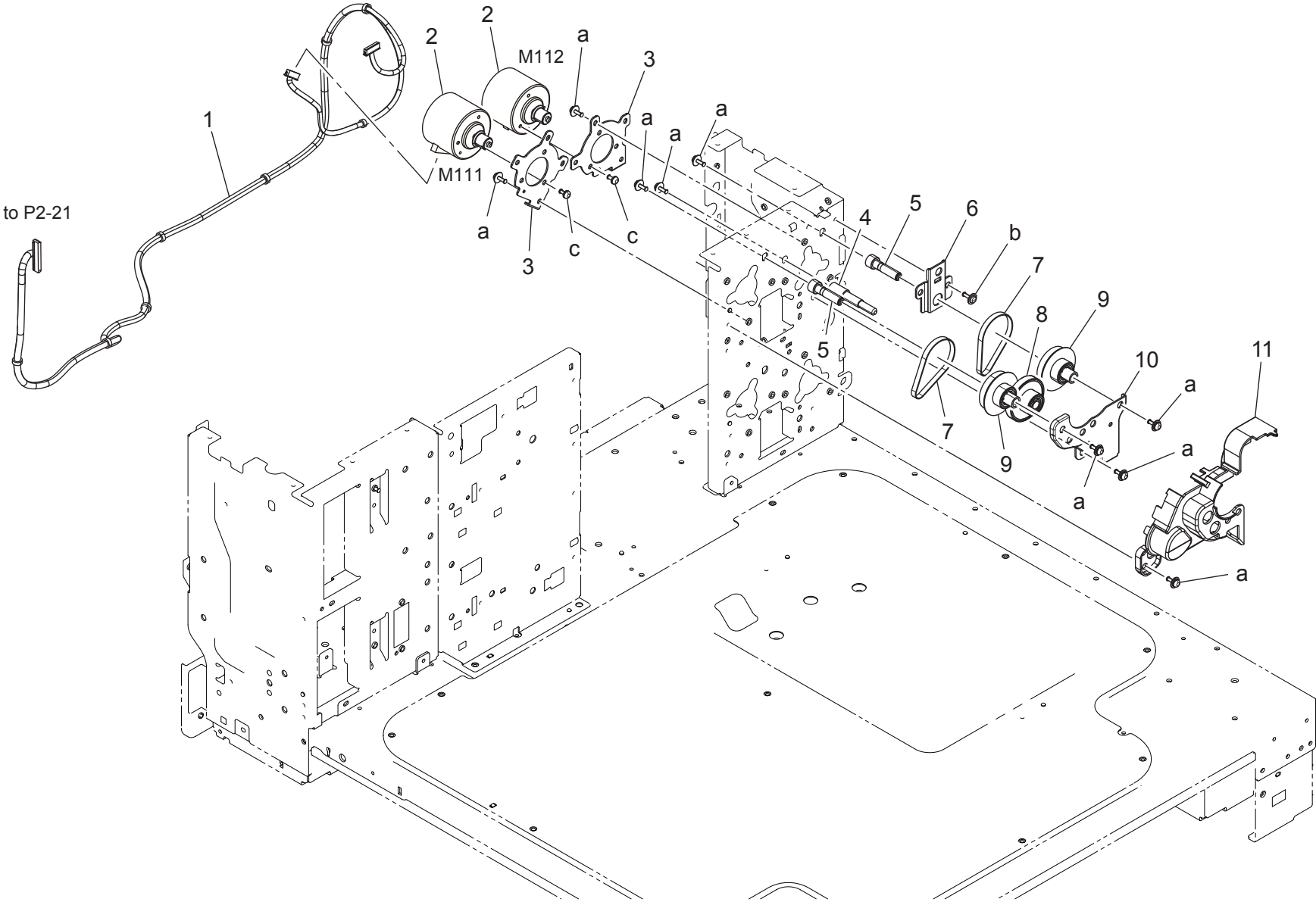
FRAME SECTION





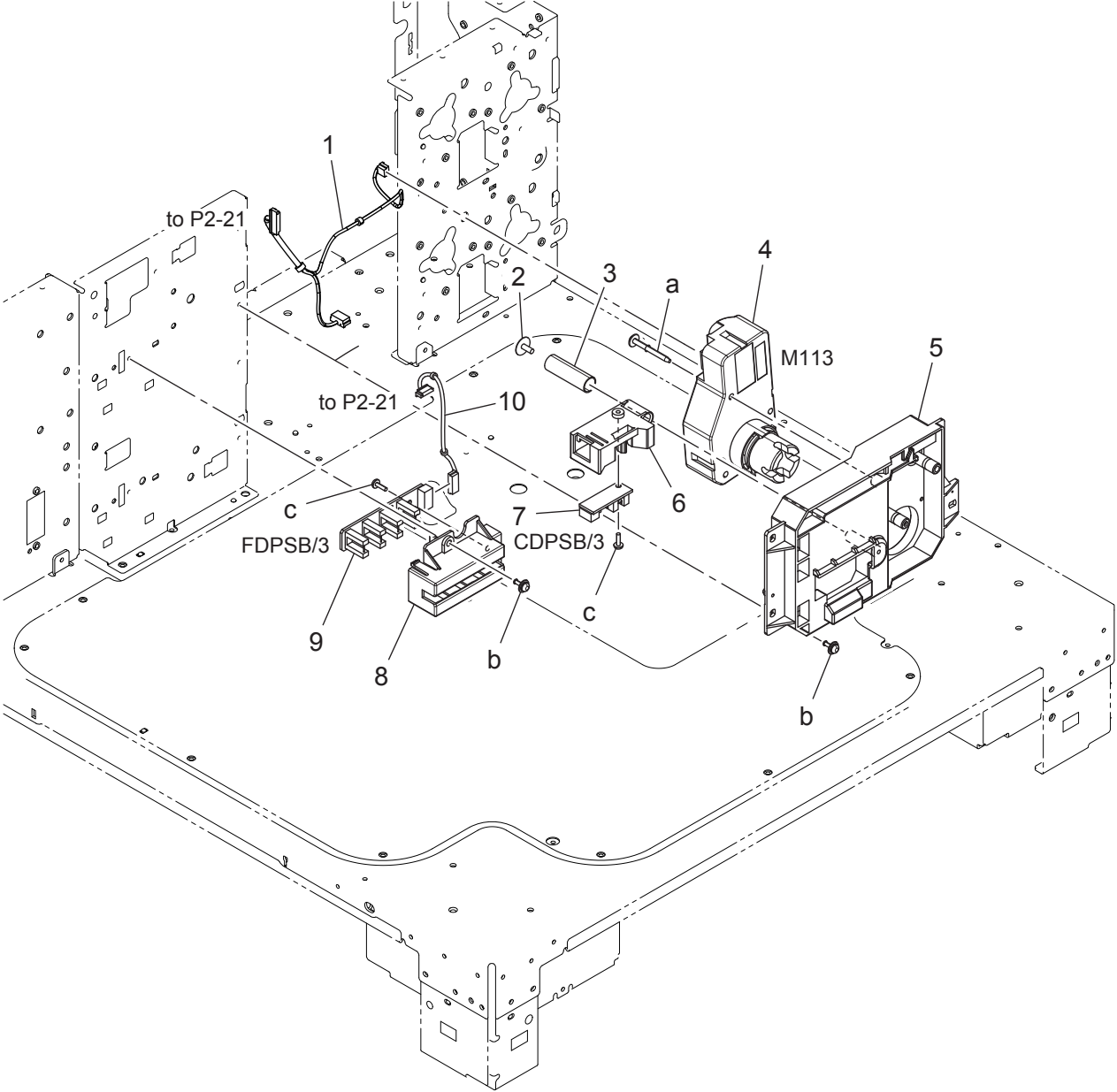


PAPER FEED DRIVE SECTION





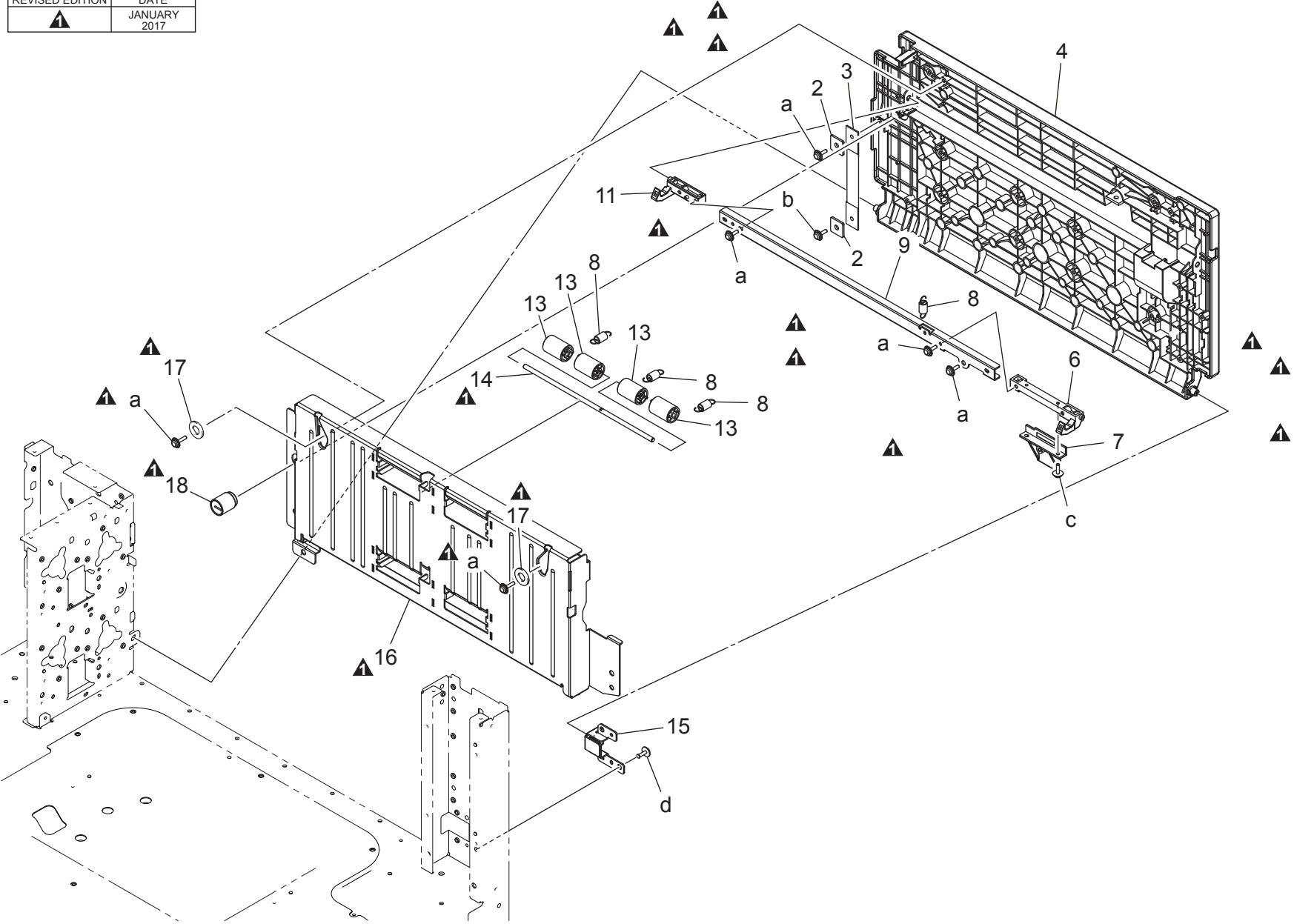
CASSETTE SIZE SECTION





# PAPER TRANSPORT SECTION

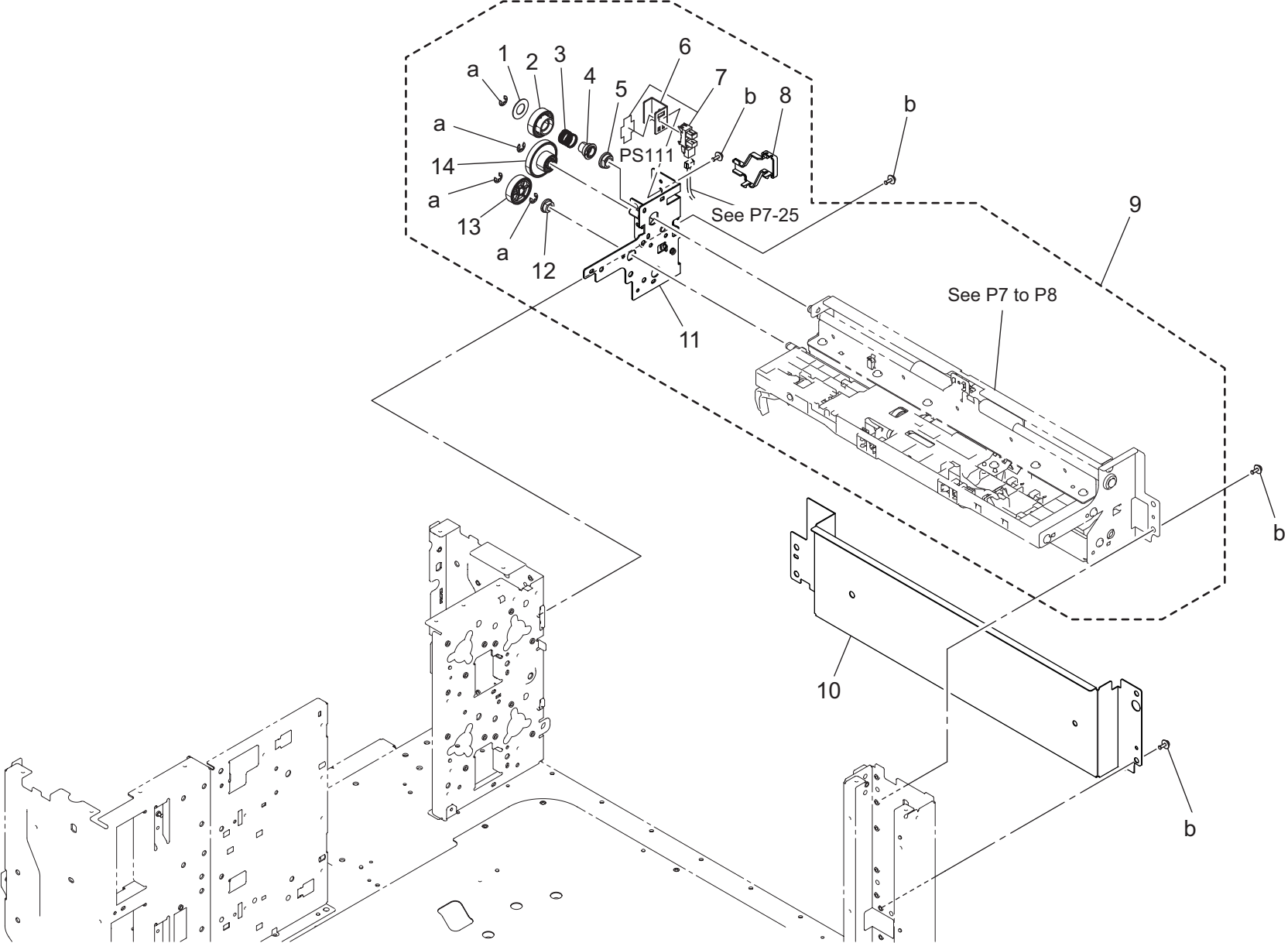
改訂版 REVISED EDITION	日付 DATE
▲	JANUARY 2017



PAPER TRANSPORT SECTION

Key	Part No.	Description	Destinations	Class	QTY	Standard parts	
2	1053310301	SET PLATE		C	2	a-V153030803 b-V116030803 c-V153030804 d-V137030803	
3	A7VA563600	Band		C	1		
4	A7VA630700	Door		C	1		
6	A7VA630800	Lock		C	1		
7	A7VA630400	Lock		D	1		
8	A161815500	Pulling Spring		C	4		
9	A7VA630600	Connecting Plate		D	1		
11	A7VA630500	Claw		C	1		
13	A161815400	Roll		C	4		
14	A7VA815300Old	Shaft		D	1		
14	A7VA815400	Conveyance Shaft		D	1		
15	A7VA562000	Mounting Plate		D	1		
16	A7VA563501Old	Guide		D	1		
16	A7VA563400	Guide		D	1		
17	4040720100	WASHER		D	2		
18	A7VA616000	Ground Coil spring		C	1		

PAPER TAKE-UP SECTION





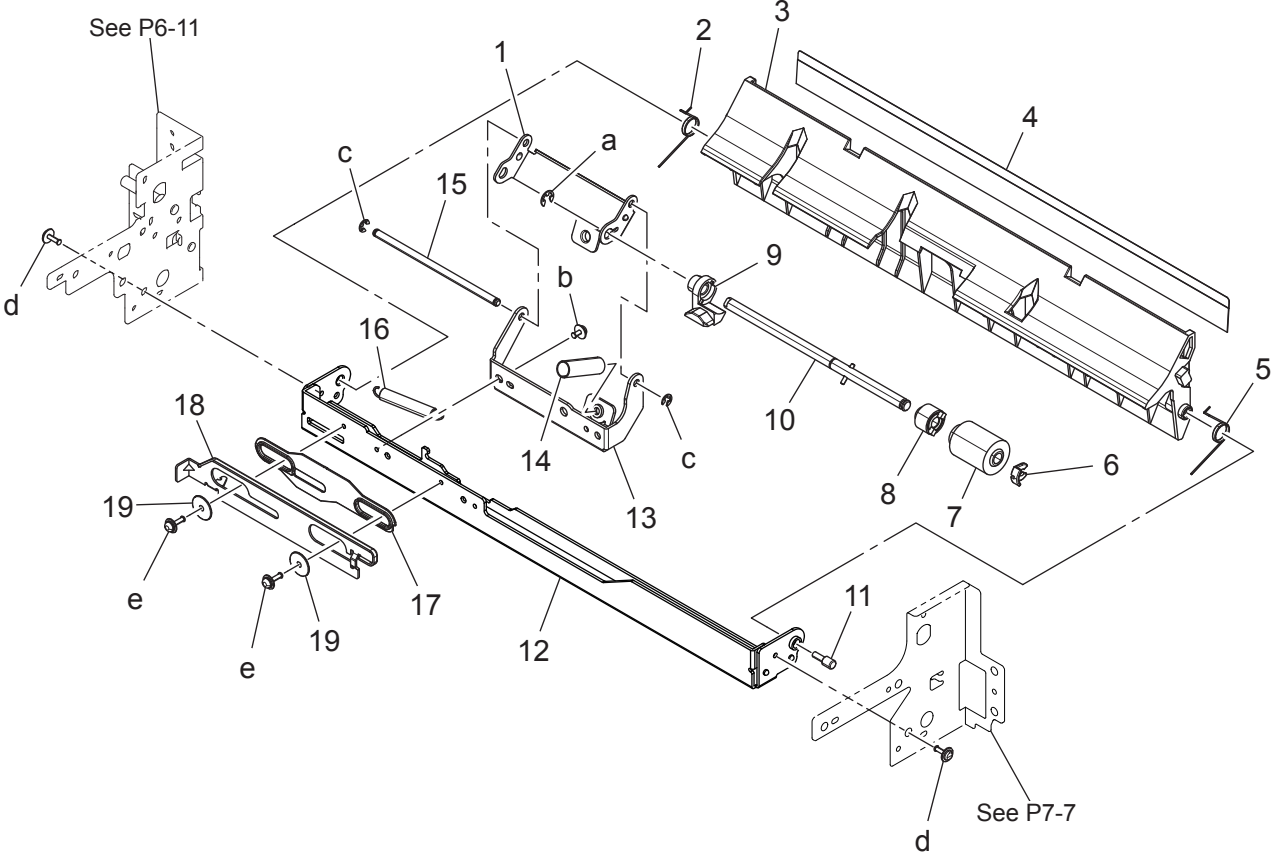
PAPER TAKE-UP SECTION

Key	Part No.	Description	Destinations	Class	QTY	Standard parts
1	A108213800	Washer		D	1	a-V217040001 b-V116030803
2	A2XM592400	Gear		C	1	
3	A2XM592602	Spring		C	1	
4	A2XM592500	Guide		C	1	
5	4131353202	BUSHING		C	1	
6	A2XM591002	Mounting Plate		D	1	
7	A5C1R90000	Photo Interrupter		B	1	
8	A7VA593500	Cover		D	1	
9	A7VAR70700	Paper Feed Assy /3th		S	1	
10	A7VA561300	Cover		D	1	
11	A7VAR7A000	Mounting Plate Assy		D	1	
12	4131300301	BUSHING		C	1	
13	A2XM592300	Gear		C	1	
14	A2XM592200	Gear		C	1	






PAPER TAKE-UP SECTION



PAPER TAKE-UP SECTION

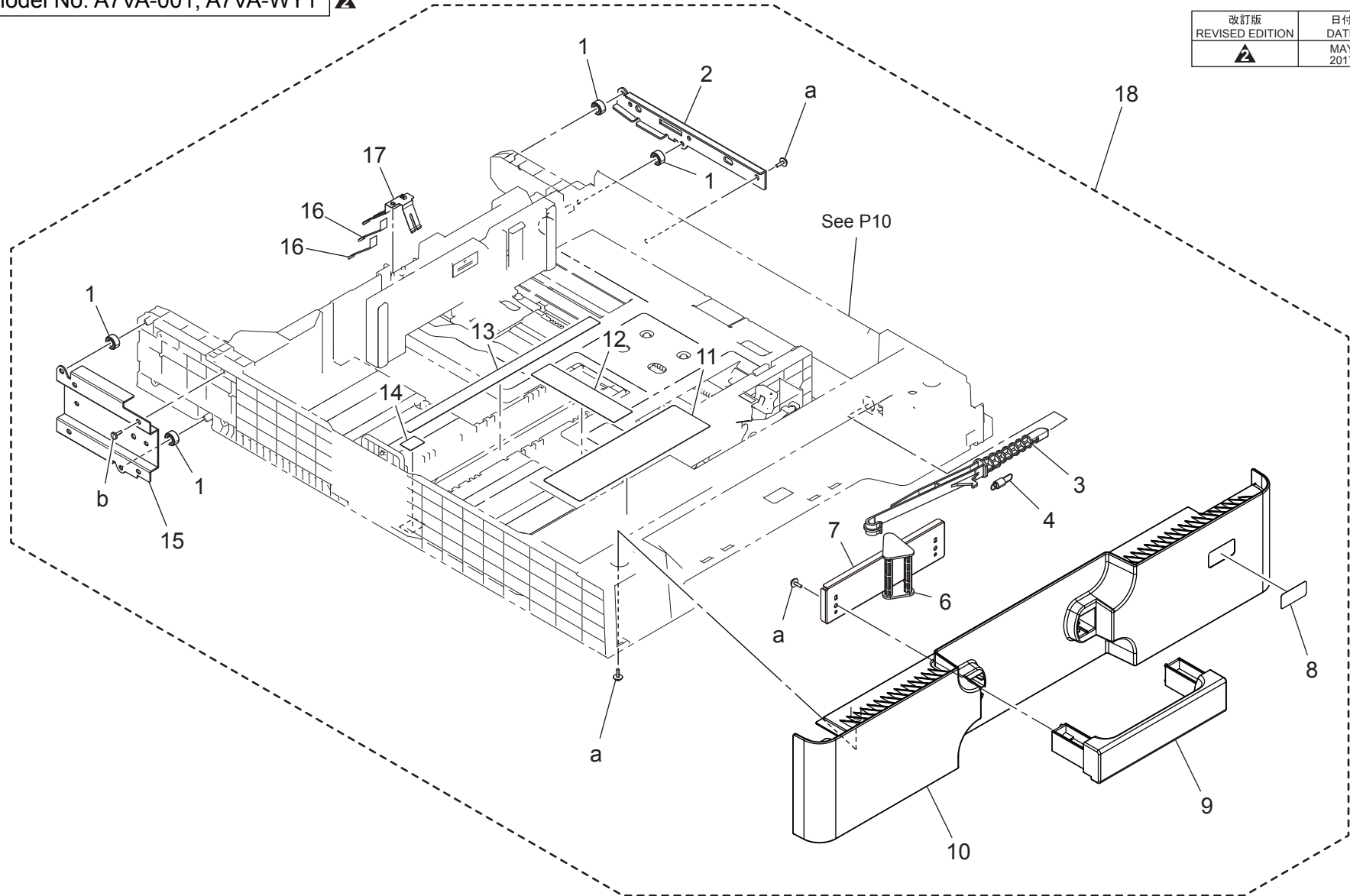
Key	Part No.	Description	Destinations	Class	QTY	Standard parts
1	A2XM567401	Holder		C	1	a-V217040001 b-V116030603 c-V217030001 d-V137030803 e-V116031003
2	A161568800	Torsion Coil spring		C	1	
3	A2XM566101	Guide Plate		C	1	
4	A2XM566200	Guide		C	1	
5	A161568700	Torsion Coil spring		C	1	
6	56AA40490	SHAFT STOPPER 4		C	1	
7	A00J563600	Roller		A	1	
8	A0ED563900	Torque limiter		C	1	
9	A161563501	Guide		D	1	
10	A161563400	Shaft		D	1	
11	4532341001	SHOULDER SCREW		D	1	
12	A2XM640700	Mounting Plate		D	1	
13	A2XM566902	Mounting Plate		D	1	
14	4030301703	PRESSURE SPRING		C	1	
15	A161563300	Shaft		D	1	
16	A161564400	Pulling Coil spring		C	1	
17	A161564200	Spacer		D	1	
18	A161564103	Lever		D	1	
19	A161564300	Spacer		D	2	

# 3rd PAPER TRAY UNIT

Model No. A7VA-001, A7VA-WY1 

P 9

改訂版 REVISED EDITION	日付 DATE
	MAY 2017



3rd PAPER TRAY UNIT

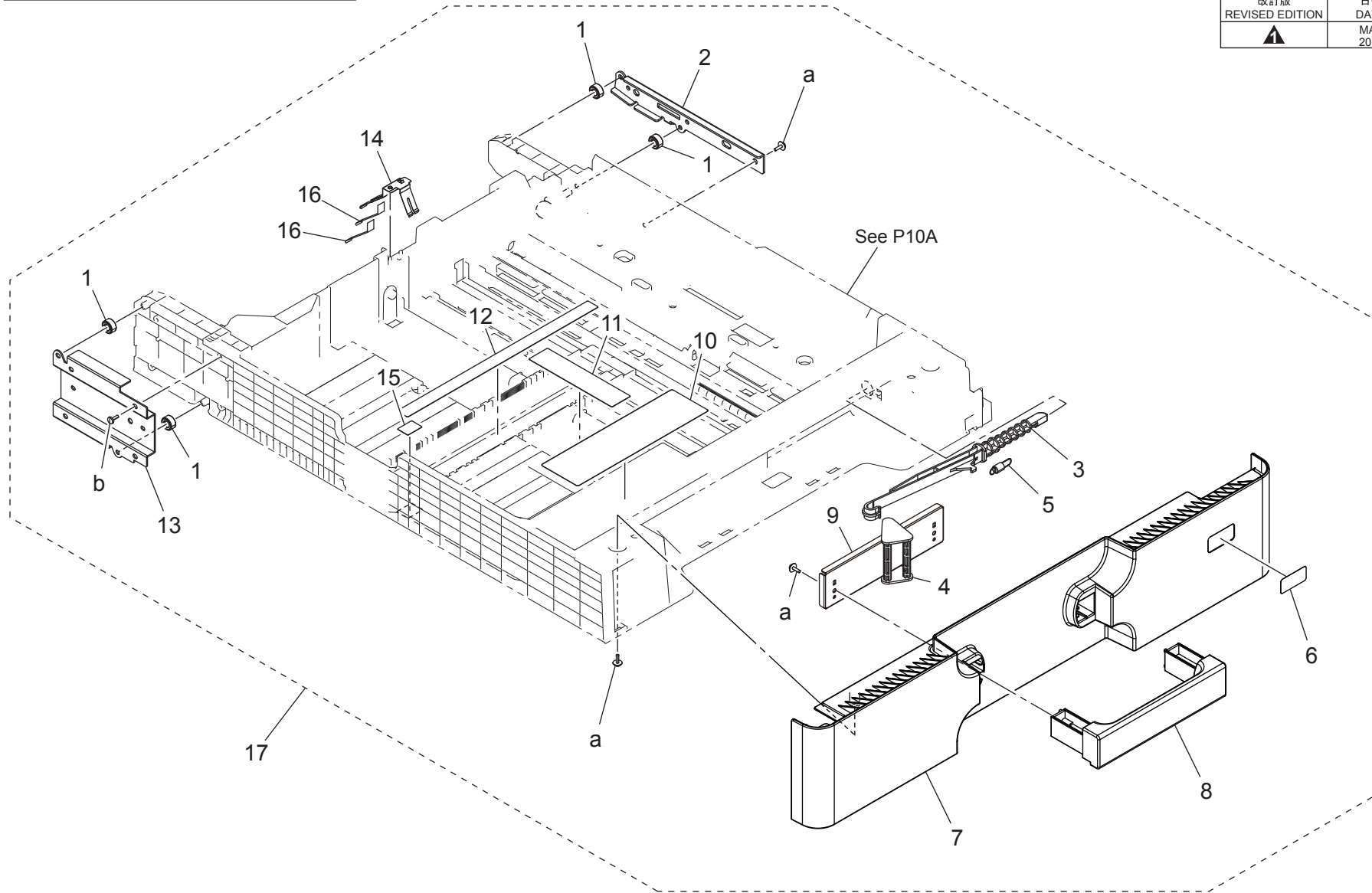
Key	Part No.	Description	Destinations	Class	QTY	Standard parts
1	A161623400	Roll	ころ (Model No.A7VA-001, A7VA-WY1)	D	4	a-V153030803 b-V149030803
2	A161623104	Reinforce Plate /Right	補強板/右 (Model No.A7VA-001, A7VA-WY1)	D	1	
3	A161636502	Lever	レバー (ロック) (Model No.A7VA-001, A7VA-WY1)	C	1	
4	A161626800	Pulling Coil spring	引張りコイルばね (ロックレバー) (Model No.A7VA-001, A7VA-WY1)	C	1	
6	A161626602	Lever	レバー (解除) (Model No.A7VA-001, A7VA-WY1)	C	1	
7	A2XM569201	Holder	ホルダ (取手) (Model No.A7VA-001, A7VA-WY1)	D	1	
8	A7VA940100	Label 3	ラベル 3 (Model No.A7VA-001, A7VA-WY1)	C	1	
9	A7AH626901	Handle	取手 (Model No.A7VA-001, A7VA-WY1)	C	1	
10	A7VA568101	Cover	カバー (Model No.A7VA-001, A7VA-WY1)	C	1	
11	A795942401	Label	ラベル (用紙補給) (Model No.A7VA-001, A7VA-WY1)	C	1	
12	A02E941500	Label Cd	ラベル C D (Model No.A7VA-001, A7VA-WY1)	C	1	
13	A00J942202	Label FD	ラベル F D (Model No.A7VA-001, A7VA-WY1)	C	1	
14	A02E941300	Label Fd	ラベル F D (Model No.A7VA-001, A7VA-WY1)	C	1	
15	A161623203	Reinforce Plate /Left	補強板/左 (Model No.A7VA-001, A7VA-WY1)	D	1	
16	A55V624700	Protection Sheet	保護シート (Model No.A7VA-001, A7VA-WY1)	C	2	
17	A161622100	Ground Plate	アース板 (カセット) (Model No.A7VA-001, A7VA-WY1)	D	1	
18	A7VAR70300	Cassette Assy /3th	カセット A s s y / 3 段 (Model No.A7VA-001, A7VA-WY1)	S	1	

# 3rd PAPER TRAY UNIT

Model No. A7VA-007, A7VA-WY7

▲ P 9A

改訂版 REVISED EDITION	日付 DATE
▲	MAY 2017





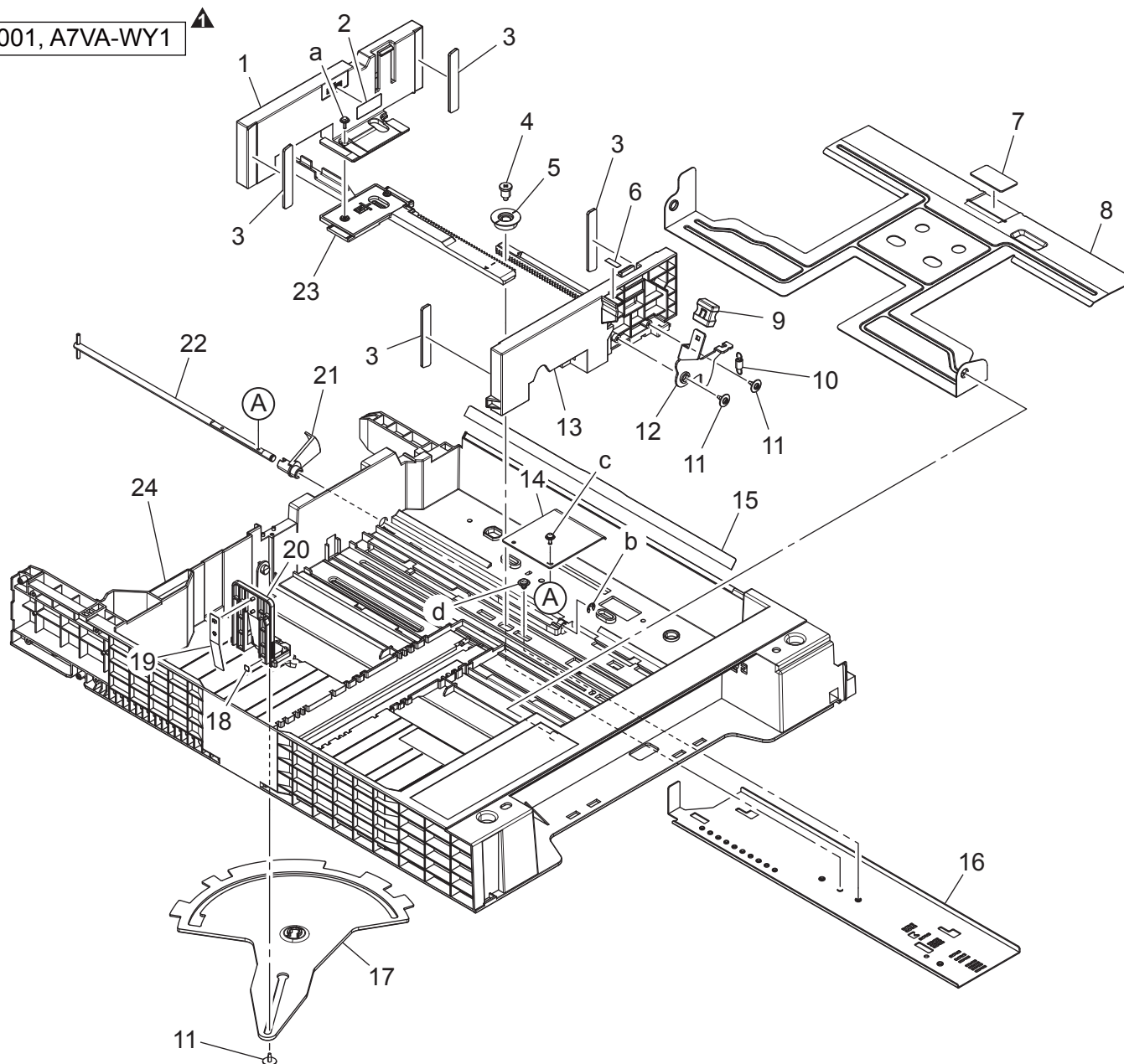
3rd PAPER TRAY UNIT

Key	Part No.	Description	Destinations	Class	QTY	Standard parts
1	A161623400	Roll ころ	(Model No.A7VA-007, A7VA-WY7)	D	4	a-V153030803 b-V149030803
2	A79J623100	Reinforce Plate /Right 補強板/右	(Model No.A7VA-007, A7VA-WY7)	D	1	
3	A161636502	Lever レバー (ロック)	(Model No.A7VA-007, A7VA-WY7)	C	1	
4	A161626602	Lever レバー (解除)	(Model No.A7VA-007, A7VA-WY7)	C	1	
5	A161626800	Pulling Coil spring 引張りコイルばね (ロックレバー)	(Model No.A7VA-007, A7VA-WY7)	C	1	
6	A7VA940100	Label 3 ラベル 3	(Model No.A7VA-007, A7VA-WY7)	C	1	a-V153030803 b-V149030803
7	A7VA568101	Cover カバー	(Model No.A7VA-007, A7VA-WY7)	C	1	
8	A7AH626901	Handle 取手	(Model No.A7VA-007, A7VA-WY7)	C	1	
9	A2XM569201	Holder ホルダ (取手)	(Model No.A7VA-007, A7VA-WY7)	D	1	
10	A795942401	Label ラベル (用紙補給)	(Model No.A7VA-007, A7VA-WY7)	C	1	
11	A79J941500	Label CD ラベル CD スケール	(Model No.A7VA-007, A7VA-WY7)	C	1	
12	A79J941200	Label FD ラベル FD スケール/1	(Model No.A7VA-007, A7VA-WY7)	C	1	
13	A161623203	Reinforce Plate /Left 補強板/左	(Model No.A7VA-007, A7VA-WY7)	D	1	
14	A161622100	Ground Plate アース板 (カセット)	(Model No.A7VA-007, A7VA-WY7)	D	1	
15	A79J941300	Label FD ラベル FD スケール/2	(Model No.A7VA-007, A7VA-WY7)	C	1	
16	A55V624700	Protection Sheet 保護シート	(Model No.A7VA-007, A7VA-WY7)	C	2	a-V153030803 b-V149030803
17	A7VAR71000	Cassette Assy /3rd カセット A s s y /3段	(Model No.A7VA-007, A7VA-WY7)	S	1	

# 3rd PAPER TRAY UNIT

Model No. A7VA-001, A7VA-WY1 ▲

改訂版 REVISED EDITION	日付 DATE
▲	MAY 2017



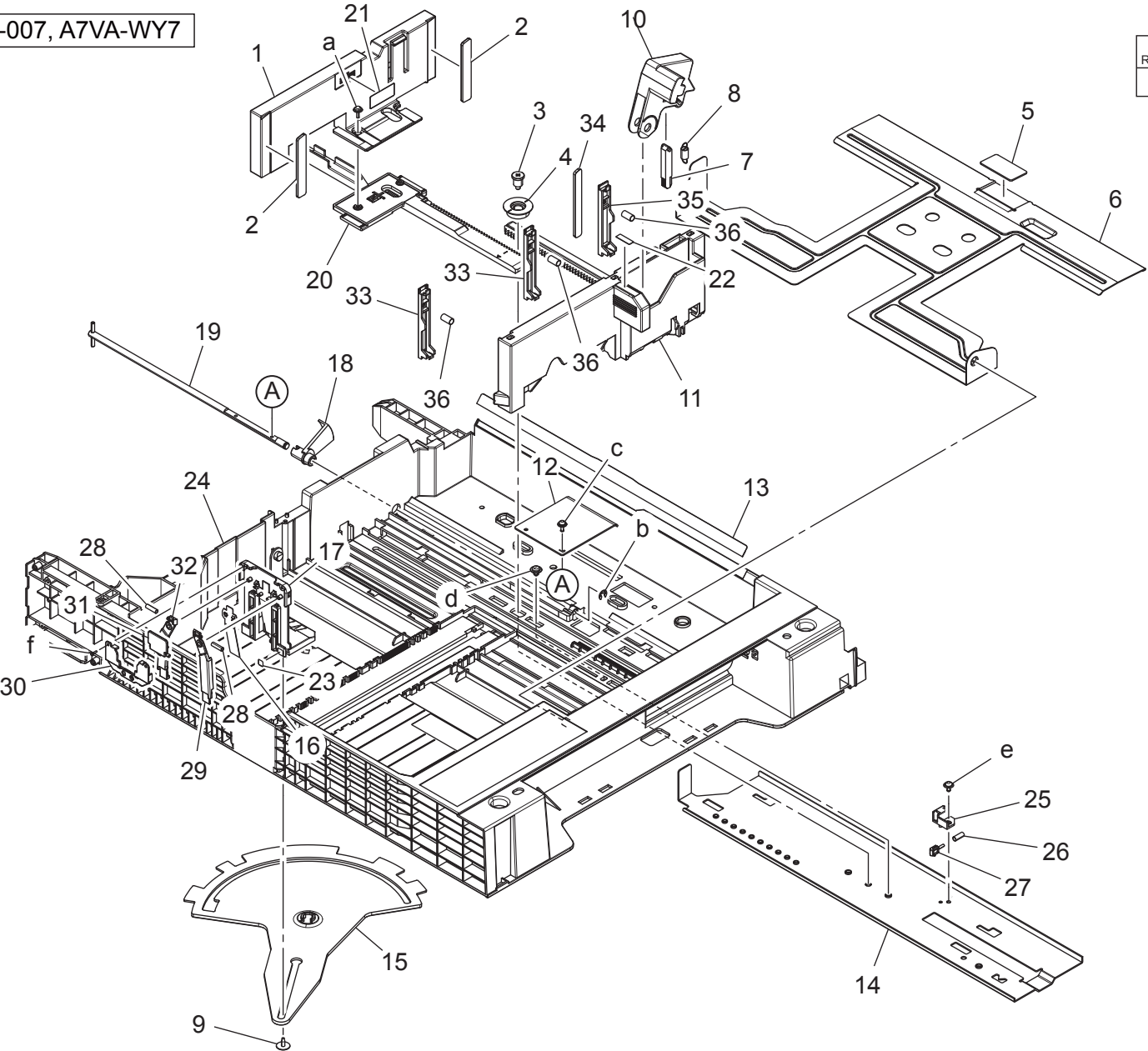
Key	Part No.	Description	Destinations	Class	QTY	Standard parts
1	A161620904	Regulating Plate /Rear	規制板／後 (Model No.A7VA-001, A7VA-WY1)	C	1	a-V153030803 b-V217040001 c-V116030803 d-V144040603
2	A161943700	Label Max Level	ラベル 積載量 (Model No.A7VA-001, A7VA-WY1)	C	1	
3	A161624100	Cushion	クッション (ガイド) (Model No.A7VA-001, A7VA-WY1)	C	4	
4	A161620600	Shoulder screw	段ねじ (Model No.A7VA-001, A7VA-WY1)	D	1	
5	A161620701	Gear	ギア (Model No.A7VA-001, A7VA-WY1)	D	1	
6	A161943000	Label	ラベル (Model No.A7VA-001, A7VA-WY1)	C	1	
7	4030322601	FRICION SHEET	摩擦板 (Model No.A7VA-001, A7VA-WY1)	C	1	
8	A161620400	Lifting Plate	押上げ板 (Model No.A7VA-001, A7VA-WY1)	D	1	
9	4037320401	KNOB	つまみ (Model No.A7VA-001, A7VA-WY1)	C	1	
10	A0ED621400	Pulling Coil spring	引張りコイルばね (Model No.A7VA-001, A7VA-WY1)	D	1	
11	4163529301	SCREW	ねじ (Model No.A7VA-001, A7VA-WY1)	C	3	
12	A161621300	Lever	レバー (Model No.A7VA-001, A7VA-WY1)	D	1	
13	A161620803	Regulating Plate /Front	規制板／前 (Model No.A7VA-001, A7VA-WY1)	C	1	
14	4030320601	LEVER	レバー (Model No.A7VA-001, A7VA-WY1)	D	1	
15	A0ED620200	Guide	ガイド (前さばき) (Model No.A7VA-001, A7VA-WY1)	C	1	
16	A161621900	Mounting Plate	取付板 (Model No.A7VA-001, A7VA-WY1)	D	1	
17	A161621411	Lever	レバー (Model No.A7VA-001, A7VA-WY1)	C	1	
18	A02E940300	Label	ラベル (Model No.A7VA-001, A7VA-WY1)	C	1	
19	A161621800	Plate spring	板ばね (Model No.A7VA-001, A7VA-WY1)	C	1	
20	A161621701	Regulating Plate	規制板 (後端) (Model No.A7VA-001, A7VA-WY1)	C	1	
21	A0ED620701	Actuator	アクチュエータ (Model No.A7VA-001, A7VA-WY1)	C	1	
22	A161621600	Lifting Shaft	押上げ軸 (Model No.A7VA-001, A7VA-WY1)	D	1	
23	A161621100	Rack	ラック (Model No.A7VA-001, A7VA-WY1)	C	1	
24	A161620107	Paper feed Cassette	給紙カセット (A 3) (Model No.A7VA-001, A7VA-WY1)	D	1	

# 3rd PAPER TRAY UNIT

Model No. A7VA-007, A7VA-WY7

▲ P 10A


改訂版 REVISED EDITION	日付 DATE
▲	MAY 2017

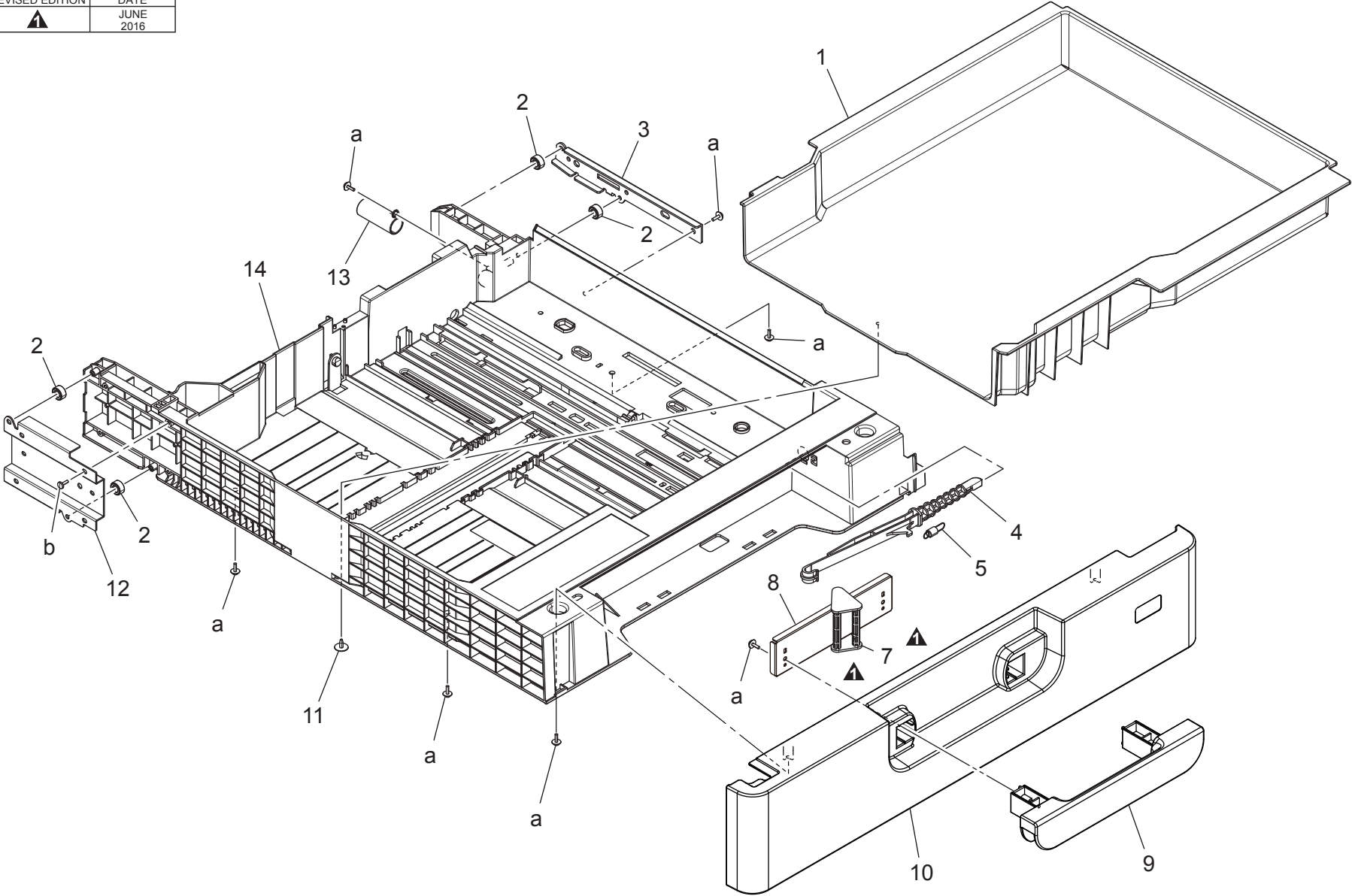


Key	Part No.	Description	Destinations	Class	QTY	Standard parts	
1	A161620904	Regulating Plate /Rear	規制板/後	(Model No.A7VA-007, A7VA-WY7)	C	1	a-V153030803 b-V217040001 c-V116030803 d-V144040603 e-V127030604 f-V166170504
2	A161624100	Cushion	クッション (ガイド)	(Model No.A7VA-007, A7VA-WY7)	C	2	
3	A161620600	Shoulder screw	段ねじ	(Model No.A7VA-007, A7VA-WY7)	D	1	
4	A161620701	Gear	ギア	(Model No.A7VA-007, A7VA-WY7)	D	1	
5	4030322601	FRICITION SHEET	摩擦板	(Model No.A7VA-007, A7VA-WY7)	C	1	
6	A161620400	Lifting Plate	押上げ板	(Model No.A7VA-007, A7VA-WY7)	D	1	
7	A7AH621200	Lock Lever	ロックレバー	(Model No.A7VA-007, A7VA-WY7)	D	1	
8	A7AH621000	Pulling Coil spring	引張りコイルばね	(Model No.A7VA-007, A7VA-WY7)	C	1	
9	4163529301	SCREW	ねじ	(Model No.A7VA-007, A7VA-WY7)	C	1	
10	A795621301	Operation Lever	操作レバー	(Model No.A7VA-007, A7VA-WY7)	C	1	
11	A795620800	Regulating Plate	規制板	(Model No.A7VA-007, A7VA-WY7)	C	1	
12	4030320601	LEVER	レバー	(Model No.A7VA-007, A7VA-WY7)	D	1	
13	A0ED620200	Guide	ガイド (前さばき)	(Model No.A7VA-007, A7VA-WY7)	C	1	
14	A795621900	Mounting Plate	取付板	(Model No.A7VA-007, A7VA-WY7)	D	1	
15	A161621411	Lever	レバー	(Model No.A7VA-007, A7VA-WY7)	C	1	
16	A795565600	Plate spring	板ばね	(Model No.A7VA-007, A7VA-WY7)	C	1	
17	A795565000	Regulating Plate	規制板	(Model No.A7VA-007, A7VA-WY7)	D	1	
18	A0ED620701	Actuator	アクチュエータ	(Model No.A7VA-007, A7VA-WY7)	C	1	
19	A161621600	Lifting Shaft	押上げ軸	(Model No.A7VA-007, A7VA-WY7)	D	1	
20	A161621100	Rack	ラック	(Model No.A7VA-007, A7VA-WY7)	C	1	
21	A161943700	Label Max Level	ラベル 積載量	(Model No.A7VA-007, A7VA-WY7)	C	1	
22	A161943000	Label	ラベル	(Model No.A7VA-007, A7VA-WY7)	C	1	
23	A02E940300	Label	ラベル	(Model No.A7VA-007, A7VA-WY7)	C	1	
24	A79J620100	Paper feed Cassette	給紙カセット	(Model No.A7VA-007, A7VA-WY7)	D	1	
25	A795565700	Holder	ホルダ	(Model No.A7VA-007, A7VA-WY7)	C	1	
26	A795565900	Compressing Spring	圧縮ばね	(Model No.A7VA-007, A7VA-WY7)	C	1	
27	A795565800	Lever	レバー	(Model No.A7VA-007, A7VA-WY7)	C	1	

Key	Part No.	Description		Destinations	Class	QTY	Standard parts
28	A795565500	Compressing Spring	圧縮ばね	(Model No.A7VA-007, A7VA-WY7)	C	2	
29	A795565100	Lock Lever	ロックレバー	(Model No.A7VA-007, A7VA-WY7)	C	1	
30	A795565300	Cover	カバー	(Model No.A7VA-007, A7VA-WY7)	C	1	
31	A795565400	Operation Lever	操作レバー	(Model No.A7VA-007, A7VA-WY7)	C	1	
32	A795565200	Lock Lever	ロックレバー	(Model No.A7VA-007, A7VA-WY7)	C	1	
33	A795622600	Auxiliary Guide /2	補助ガイド / 2	(Model No.A7VA-007, A7VA-WY7)	C	2	
34	A795566000	Cushion	クッション	(Model No.A7VA-007, A7VA-WY7)	C	1	
35	A795622500	Auxiliary Guide /1	補助ガイド / 1	(Model No.A7VA-007, A7VA-WY7)	C	1	
36	A795622700	Compressing Spring	圧縮ばね	(Model No.A7VA-007, A7VA-WY7)	C	3	

# RECEIPT TRAY

改訂版 REVISED EDITION	日付 DATE
	JUNE 2016

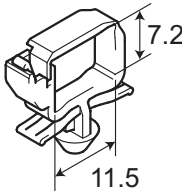
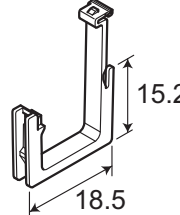
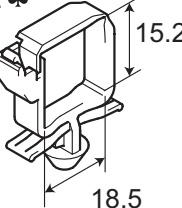
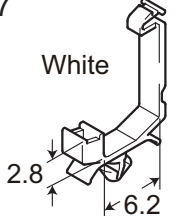
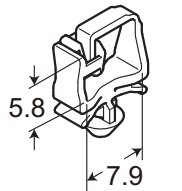
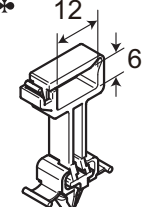
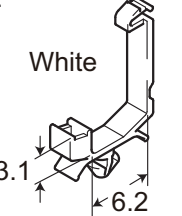
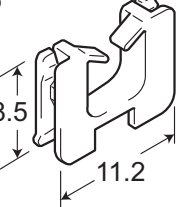


RECEIPT TRAY

Key	Part No.	Description	Destinations	Class	QTY	Standard parts
1	A2XM569001	Cassette		D	1	a-V153030803 b-V149030803
2	A161623400	Roll		D	4	
3	A161623104	Reinforce Plate /Right		D	1	
4	A161636502	Lever		C	1	
5	A161626800	Pulling Coil spring		C	1	
7	A161626602	Lever		C	1	
8	A2XM569201	Holder		D	1	
9	A7VA626901	Handle		C	1	
10	A7VA568201	Cover		C	1	
11	4163529301	SCREW		C	1	
12	A161623203	Reinforce Plate /Left		D	1	
13	A161627000	Compressing Coil spring		C	1	
14	A161620107	Paper feed Cassette		D	1	



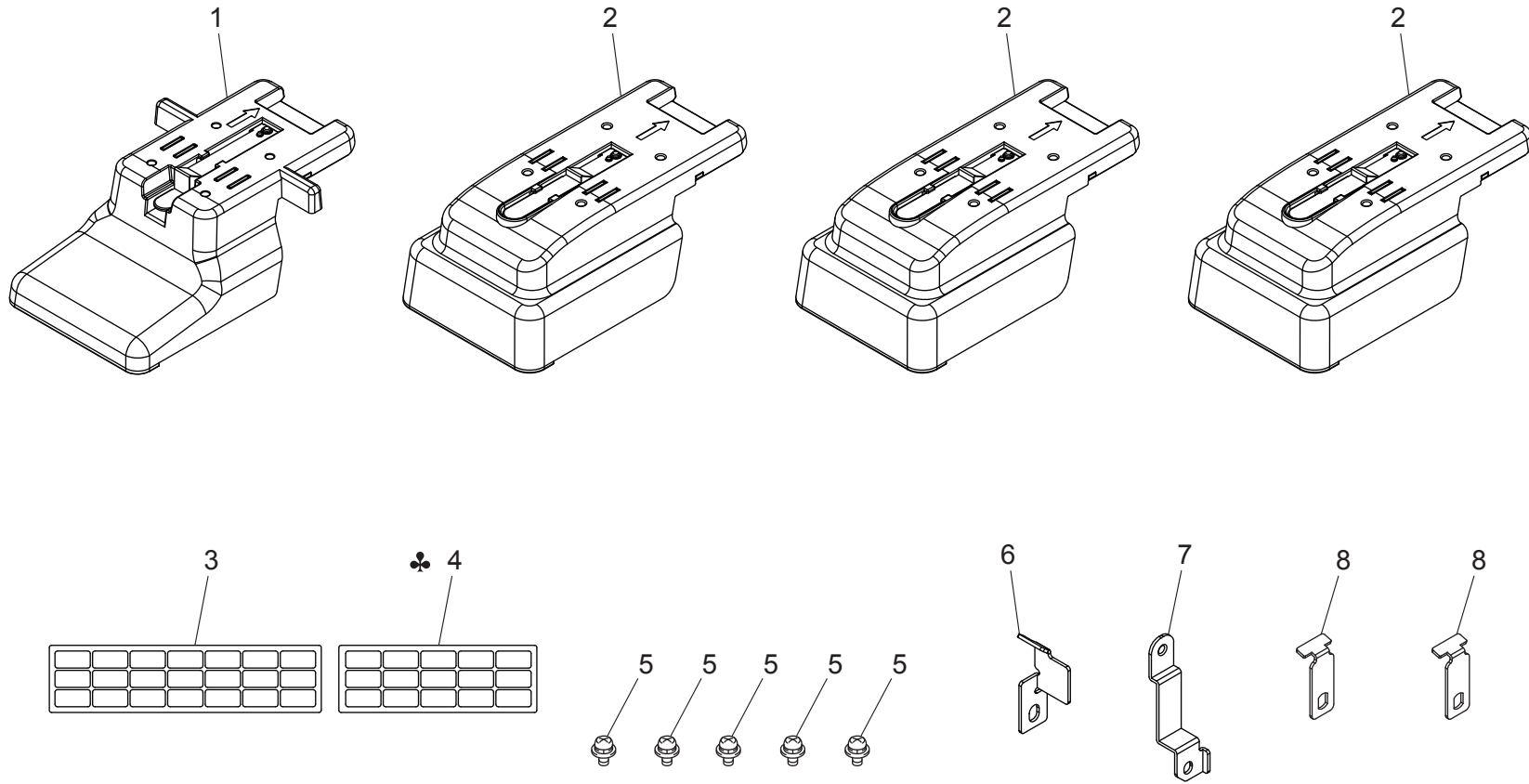
# WIRING ACCESSORIES AND JIGS

<p>1</p> 	<p>6</p> 						
<p>2 ♣</p> 	<p>7</p> <p>White</p> 						
<p>3</p> 	<p>8 ♣</p> 						
<p>4</p> <p>White</p> 							
<p>5</p> 							

WIRING ACCESSORIES AND JIGS

Key	Part No.	Description	Destinations	Class	QTY	Standard parts
1	V500010082	Locking Wire Saddle		D		
2	V500010083	Locking Wire Saddle	A,A1	D		
3	V500020098	Mini Locking wire saddle		D		
4	V500020099	Mini Locking wire saddle		D		
5	V570010021	Saddle		D		
6	V570010026	Locking Edge Saddle		D		
7	V500010046	saddle		D		
8	V500020101	Reuse spacing clamp	A,A1	V		

# ACCESSORY PARTS





# MAINTENANCE LIST

● The items with no Page/Key numbers are not handled as spare parts.

No.	Section	PM Parts Description	Maintenance Cycle (K=1,000)		Parts No.	Destinations	Page/Key	Note
			QTY	Replace				
1	Paper Take-up Section	Pick-up roller	1	300K	A5C1562200		P7-27	*1 *2
2		Feed roller	1	300K	A00J563600		P7-15	*1 *2
3		Separation roller	1	300K	A00J563600		P8-7	*1 *2

\*1: Actual durable cycle (life counter value)

\*2: Replace those parts at the same time.

## メンテナンスリスト

● ページ / キーナンバーのないものは、アフターサービス部品ではありません。

No.	区分	PM 部品名称	サイクル (K=1,000)		部品番号	仕向地	頁 / キー	備考
			員数	交換				
1	給紙部	ピックアップローラー	1	300K	A5C1562200		P7-27	*1 *2
2		給紙ローラー	1	300K	A00J563600		P7-15	*1 *2
3		分離ローラー	1	300K	A00J563600		P8-7	*1 *2

\*1: ライフカウンター値

\*2: 同時交換する。

# DESTINATION

Destination No.		Destinations		V	Hz	Model No.
A	A1	JAPAN		100	50/60	A7VA001, A7VA007
	A2	JAPAN				
B		USA, CANADA		120	60	A7VAWY1, A7VAWY7
C		EUROPEAN TYPE		220-240	50/60	A7VAWY1, A7VAWY7
D	D1	S.E ASIA TYPE	THAILAND, SRI LANKA, SINGAPORE, MALAYSIA, HONG KONG, PAKISTAN, INDIA, BANGLADESH, INDONESIA	220-240	50/60	A7VAWY1, A7VAWY7
	D3	OCEANIA TYPE	AUSTRALIA, NEW ZEALAND	220-240	50/60	A7VAWY1, A7VAWY7
E		PHILIPPINES		220-240	50/60	A7VAWY1, A7VAWY7
F	F1	SAUDI ARABIA				
	F2	SAUDI ARABIA		220-240	50/60	A7VAWY1, A7VAWY7
G	G1	C.S AMERICA		220-240	50/60	A7VAWY1, A7VAWY7
	G2	C.S AMERICA		120	60	A7VAWY1, A7VAWY7
H		TAIWAN		110	60	A7VAWY1, A7VAWY7
I		JORDAN, LEBANON, SYRIA, SOUTH AFRICA, IRAQ, IRAN, N.YEMEN, CAMEROON, UAE, BAHRAIN, OMAN, QATAR, KUWAIT, KENYA, TUNISIA, IVORY COAST, MOROCCO		220-240	50/60	A7VAWY1, A7VAWY7

<b>Destination No.</b>	<b>Destinations</b>	<b>V</b>	<b>Hz</b>	<b>Model No.</b>
J	CHINA	220-240	50/60	A7VAWY1, A7VAWY7
K	KOREA	220-240	50/60	A7VAWY1, A7VAWY7