

KONICA MINOLTA

PARTS GUIDE MANUAL

MAY 2017

PC-114
A860001

INFORMATION FOR PARTS GUIDE MANUAL

To find correct Parts No., refer to the "HOW TO MAKE THE BEST USE OF THIS MANUAL" in the following page.

HOW TO MAKE THE BEST USE OF THIS MANUAL

- 1 When you order, please check the proper figures beforehand that are on Our Parts Guide Manual, and order with the appropriate figures.
- 2 For screws, Nuts, Washers, retaining rings and Pins which are used in this model, one letter is shown on the Standard parts column of Parts list and exploded diagrams.
- 3 In order to maintain safety of the product, some specific parts composed of this product are set up as "essential safety parts".
- 4 The assigned parts number for the "essential safety parts" is indicated as "SP00-****".
When replacing these parts, follow precautions for disassembling and installing which are listed in the Service Manual.
Do not use any parts that are not set up as
- 5 ♣ means that there are exclusive parts for each destination.
Please check the appropriate destination when you order.
- 6 Revision Mark
Marked as ▲ on the illustration shows that the revision has been made.
- 7 All rights reserved. (any reprints or quotations are prohibited.)
Use of this parts guide manual should be strictly supervised to avoid disclosure of confidential information.

パーツガイドマニュアルのご案内

サービス部品をご発注の際には、下記に示す“パーツガイドマニュアルの活用にあたって”をご参照の上、正しい部品番号にてお願い致します。

パーツガイドマニュアルの活用にあたって

- 1 部品発注の際には、掲載されている部品番号の桁数を確認し、掲載されている桁数で発注願います。
- 2 この製品に使用されているネジ、ナット、ワッシャー、止め輪、ピンなどは、リストの右側の Standard parts 欄に a,b,c,…… で表示し、イラストにも a,b,c,…… 表示してあります。
- 3 製品の安全性を維持する為に、製品に使用される特定の部品を「重要保安部品」として設定しています。
- 4 重要保安部品の部品番号は、“SP00-****”と記載されていますので、部品交換時は、サービスマニュアル記載の分解・組み立ての注意事項に従って作業をして下さい。
また、指定以外の部品は一切使用しないで下さい。
- 5 本文に ♣ が表示されている部品は、仕向け地毎に専用部品がある事を意味しています。
オーダーされる時は、仕向け地を確認して下さい。
- 6 改訂記号について
イラスト上に ▲ 印が表示されている部分は、改訂された事を表します。
- 7 著作権所有（無断転載及び無断引用の禁止）
本パーツガイドマニュアルについては、機密保持等その扱いには十分注意して下さい。万一取り扱いを誤った場合には、法律で処罰されることがあります。

CONTENTS

| No. | DESCRIPTION | 名称 | PAGE No. |
|-----|-----------------------------|-----------------|-----------------|
| 1 | EXTERNAL PARTS | 外装部 | P1 |
| 2 | FRAME SECTION | フレーム部 | P2 |
| 3 | PAPER FEED DRIVE SECTION | 駆動部 | P3 |
| 4 | CASSETTE SIZE SECTION | カセットサイズ部 | P4 |
| 5 | PAPER TRANSPORT SECTION | 搬送部 | P5 |
| 6 | PAPER TAKE-UP SECTION | 給紙部 | P6 P7 P8 |
| 7 | 3rd PAPER TRAY UNIT | 3 r d 給紙トレイユニット | P9 P9A P10 P10A |
| 8 | RECEIPT TRAY | 収納トレイ | P11 |
| 9 | WIRING ACCESSORIES AND JIGS | 配線部品・治具 | P12 |
| 10 | ACCESSORY PARTS | 同梱部品 | P13 |

INDEX

| Parts No. | Page No. |
|------------|----------|
| 1053310301 | 5-2 |
| 4002311002 | 4-3 |
| 4030301703 | 8-14 |
| 4030320601 | 10A-12 |
| 4030320601 | 10-14 |
| 4030322601 | 10A-5 |
| 4030322601 | 10-7 |
| 4037320401 | 10-9 |
| 4061101000 | 1-7 |
| 4131300301 | 6-12 |
| 4131300301 | 7-13 |
| 4131353202 | 6-5 |
| 4131353202 | 7-8 |
| 4163529301 | 2-15 |
| 4163529301 | 4-2 |
| 4163529301 | 10A-9 |
| 4163529301 | 10-11 |
| 4163529301 | 11-11 |
| 4532341001 | 8-11 |
| 56AA40490 | 7-16 |
| 56AA40490 | 8-6 |
| 9J06M10300 | 4-4 |
| A00J563600 | 7-15 |
| A00J563600 | 8-7 |
| A00J942202 | 9-13 |
| A02E560800 | 7-22 |
| A02E561100 | 7-14 |
| A02E940300 | 10-18 |
| A02E940300 | 10A-23 |
| A02E941300 | 9-14 |
| A02E941500 | 9-12 |
| A093940800 | 1-3 |
| A093H00100 | 2-23 |
| A093M60000 | 2-4 |
| A0ED563900 | 8-8 |
| A0ED620200 | 10A-13 |
| A0ED620200 | 10-15 |
| A0ED620701 | 10A-18 |
| A0ED620701 | 10-21 |
| A0ED621400 | 10-10 |

| Parts No. | Page No. |
|------------|----------|
| A0EDM50100 | 7-1 |
| A0XW608300 | 13-7 |
| A108213800 | 6-1 |
| A161103901 | 2-9 |
| A161560302 | 7-23 |
| A161560900 | 7-4 |
| A161561600 | 7-6 |
| A161562000 | 7-18 |
| A161562101 | 7-17 |
| A161562300 | 7-19 |
| A161562400 | 7-12 |
| A161562500 | 7-20 |
| A161562600 | 7-9 |
| A161562800 | 7-10 |
| A161563300 | 8-15 |
| A161563400 | 8-10 |
| A161563501 | 8-9 |
| A161564103 | 8-18 |
| A161564200 | 8-17 |
| A161564300 | 8-19 |
| A161564400 | 8-16 |
| A161567300 | 7-21 |
| A161567400 | 7-24 |
| A161568700 | 8-5 |
| A161568800 | 8-2 |
| A161620107 | 10-24 |
| A161620107 | 11-14 |
| A161620400 | 10A-6 |
| A161620400 | 10-8 |
| A161620600 | 10A-3 |
| A161620600 | 10-4 |
| A161620701 | 10A-4 |
| A161620701 | 10-5 |
| A161620803 | 10-13 |
| A161620904 | 10-1 |
| A161620904 | 10A-1 |
| A161621100 | 10A-20 |
| A161621100 | 10-23 |
| A161621300 | 10-12 |
| A161621411 | 10A-15 |

| Parts No. | Page No. |
|------------|----------|
| A161621411 | 10-17 |
| A161621600 | 10A-19 |
| A161621600 | 10-22 |
| A161621701 | 10-20 |
| A161621800 | 10-19 |
| A161621900 | 10-16 |
| A161622100 | 9A-14 |
| A161622100 | 9-17 |
| A161623104 | 9-2 |
| A161623104 | 11-3 |
| A161623203 | 9A-13 |
| A161623203 | 9-15 |
| A161623203 | 11-12 |
| A161623400 | 2-11 |
| A161623400 | 9-1 |
| A161623400 | 9A-1 |
| A161623400 | 11-2 |
| A161624100 | 10A-2 |
| A161624100 | 10-3 |
| A161626602 | 9A-4 |
| A161626602 | 9-6 |
| A161626602 | 11-7 |
| A161626800 | 9-4 |
| A161626800 | 9A-5 |
| A161626800 | 11-5 |
| A161627000 | 11-13 |
| A161628013 | 4-8 |
| A161636502 | 9-3 |
| A161636502 | 9A-3 |
| A161636502 | 11-4 |
| A161815400 | 5-13 |
| A161815500 | 5-8 |
| A161943000 | 10-6 |
| A161943000 | 10A-22 |
| A161943700 | 10-2 |
| A161943700 | 10A-21 |
| A161M50501 | 4-7 |
| A161M50600 | 4-9 |
| A1UD192400 | 2-13 |
| A2XM561501 | 2-16 |

| Parts No. | Page No. |
|------------|----------|
| A2XM561600 | 2-18 |
| A2XM561700 | 2-19 |
| A2XM561802 | 2-6 |
| A2XM562002 | 2-8 |
| A2XM562100 | 2-7 |
| A2XM565200 | 7-11 |
| A2XM565400 | 7-26 |
| A2XM565901 | 7-2 |
| A2XM566000 | 7-3 |
| A2XM566101 | 8-3 |
| A2XM566200 | 8-4 |
| A2XM566902 | 8-13 |
| A2XM567401 | 8-1 |
| A2XM569001 | 11-1 |
| A2XM569201 | 9-7 |
| A2XM569201 | 9A-9 |
| A2XM569201 | 11-8 |
| A2XM572202 | 1-11 |
| A2XM572300 | 1-12 |
| A2XM590501 | 3-10 |
| A2XM590901 | 3-6 |
| A2XM591002 | 6-6 |
| A2XM591500 | 3-5 |
| A2XM591600 | 3-4 |
| A2XM592100 | 3-9 |
| A2XM592200 | 3-8 |
| A2XM592200 | 6-14 |
| A2XM592300 | 6-13 |
| A2XM592400 | 6-2 |
| A2XM592500 | 6-4 |
| A2XM592602 | 6-3 |
| A2XM592700 | 3-7 |
| A2XM640700 | 8-12 |
| A2XM942301 | 1-1 |
| A2XMN10702 | 7-25 |
| A2XMN10E00 | 2-24 |
| A2XMN10F00 | 4-10 |
| A2XMR70011 | 2-5 |
| A2XMR70622 | 13-1 |
| A2Y1812300 | 7-8 |

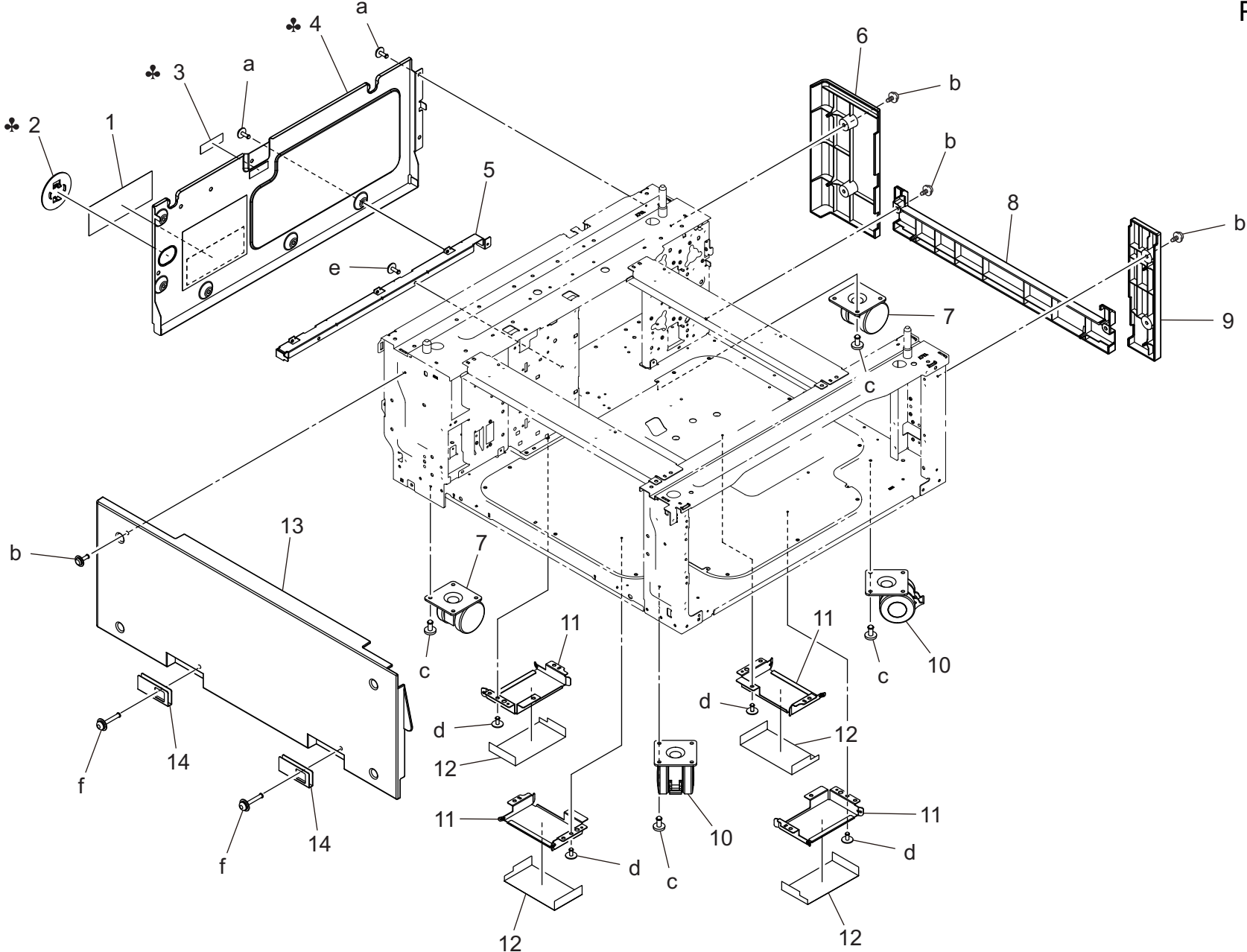
| Parts No. | Page No. |
|------------|----------|
| A55V624700 | 9A-16 |
| A55V624700 | 9-16 |
| A5C1562200 | 7-27 |
| A5C1627101 | 4-5 |
| A5C1627500 | 4-6 |
| A5C1M50100 | 7-5 |
| A5C1R90000 | 6-7 |
| A795565000 | 10A-17 |
| A795565100 | 10A-29 |
| A795565200 | 10A-32 |
| A795565300 | 10A-30 |
| A795565400 | 10A-31 |
| A795565500 | 10A-28 |
| A795565600 | 10A-16 |
| A795565700 | 10A-25 |
| A795565800 | 10A-27 |
| A795565900 | 10A-26 |
| A795566000 | 10A-34 |
| A795620800 | 10A-11 |
| A795621301 | 10A-10 |
| A795621900 | 10A-14 |
| A795622500 | 10A-35 |
| A795622600 | 10A-33 |
| A795622700 | 10A-36 |
| A795942401 | 9A-10 |
| A795942401 | 9-11 |
| A79J620100 | 10A-24 |
| A79J623100 | 9A-2 |
| A79J941200 | 9A-12 |
| A79J941300 | 9A-15 |
| A79J941500 | 9A-11 |
| A7AH621000 | 10A-8 |
| A7AH621200 | 10A-7 |
| A7AH626901 | 9A-8 |
| A7AH626901 | 9-9 |
| A7AH942000 | 13-2 |
| A7AH942100 | 13-3 |
| A7VA560300 | 7-2 |
| A7VA561300 | 6-10 |
| A7VA561500 | 2-20 |

| Parts No. | Page No. |
|------------|----------|
| A7VA562000 | 5-15 |
| A7VA563400 | 5-16 |
| A7VA563501 | 5-16 |
| A7VA563600 | 5-3 |
| A7VA564300 | 2-10 |
| A7VA565400 | 7-26 |
| A7VA565800 | 7-7 |
| A7VA568101 | 9A-7 |
| A7VA568101 | 9-10 |
| A7VA568201 | 11-10 |
| A7VA568300 | 13-6 |
| A7VA568400 | 13-5 |
| A7VA571200 | 2-17 |
| A7VA571400 | 1-2 |
| A7VA590300 | 3-3 |
| A7VA591001 | 3-11 |
| A7VA593500 | 6-8 |
| A7VA616000 | 5-18 |
| A7VA626901 | 11-9 |
| A7VA630400 | 5-7 |
| A7VA630500 | 5-11 |
| A7VA630600 | 5-9 |
| A7VA630700 | 5-4 |
| A7VA630800 | 5-6 |
| A7VA632300 | 2-12 |
| A7VA632402 | 2-14 |
| A7VA815300 | 5-14 |
| A7VA815400 | 5-14 |
| A7VA940100 | 9A-6 |
| A7VA940100 | 9-8 |
| A7VAH00100 | 2-21 |
| A7VAM10000 | 3-2 |
| A7VAN10000 | 2-1 |
| A7VAN10100 | 2-2 |
| A7VAN10300 | 2-3 |
| A7VAN10D00 | 4-1 |
| A7VAN10H00 | 3-1 |
| A7VAR70300 | 9-18 |
| A7VAR70700 | 6-9 |
| A7VAR71000 | 9A-17 |

| Parts No. | Page No. |
|------------|----------|
| A7VAR7A000 | 6-11 |
| A860562100 | 1-5 |
| A860570100 | 1-13 |
| A860570202 | 1-4 |
| A860570300 | 1-6 |
| A860570400 | 1-8 |
| A860570502 | 1-4 |
| A860570600 | 1-9 |
| A860571900 | 1-10 |
| A860572100 | 5-17 |
| A860957200 | 1-14 |
| V116040804 | 13-4 |
| V500010046 | 12-7 |
| V500010082 | 12-1 |
| V500010083 | 12-2 |
| V500020098 | 12-3 |
| V500020099 | 12-4 |
| V500020101 | 12-8 |
| V502010033 | 2-22 |
| V570010021 | 12-5 |
| V570010026 | 12-6 |

EXTERNAL PARTS

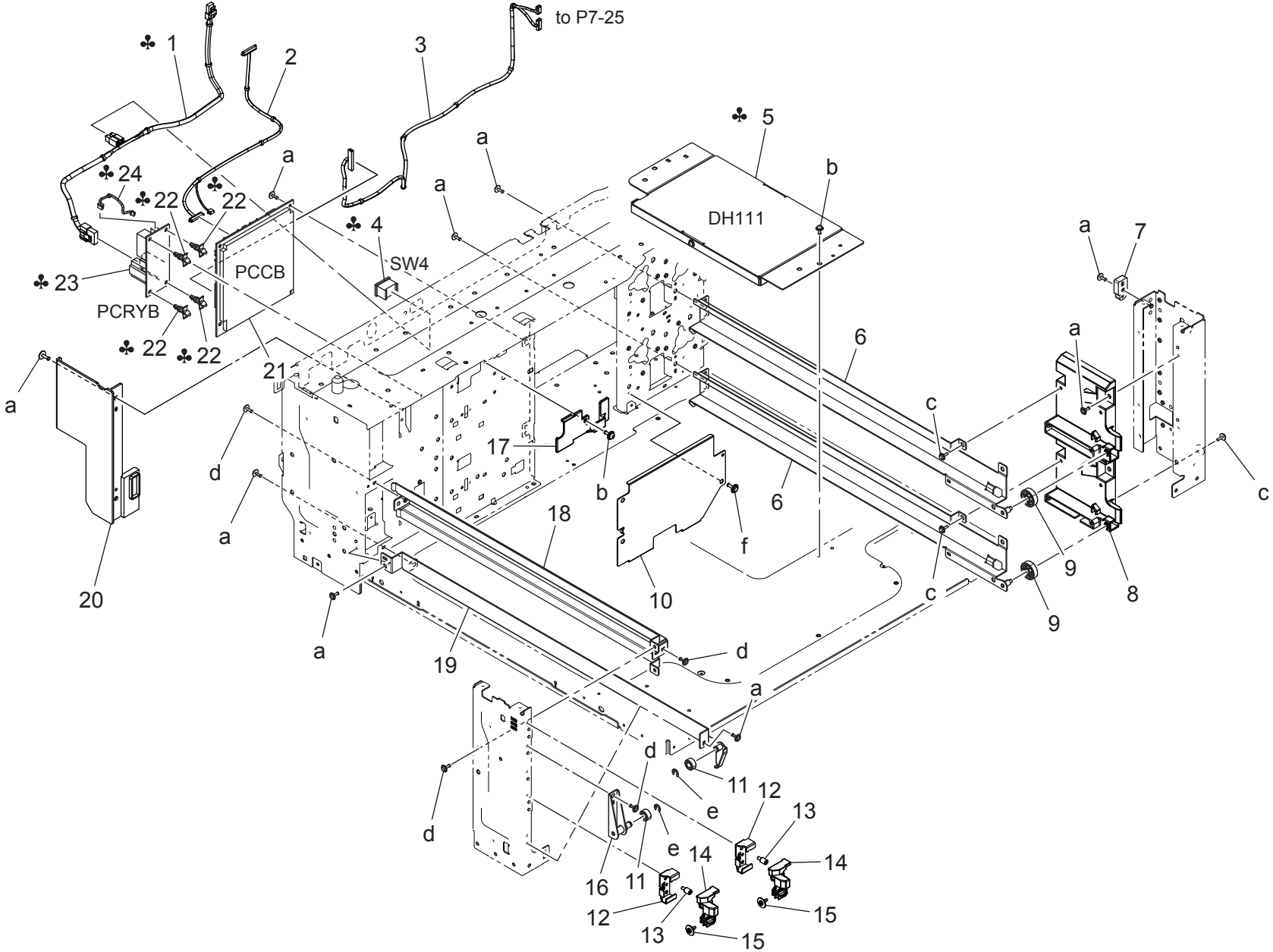
P 1



EXTERNAL PARTS

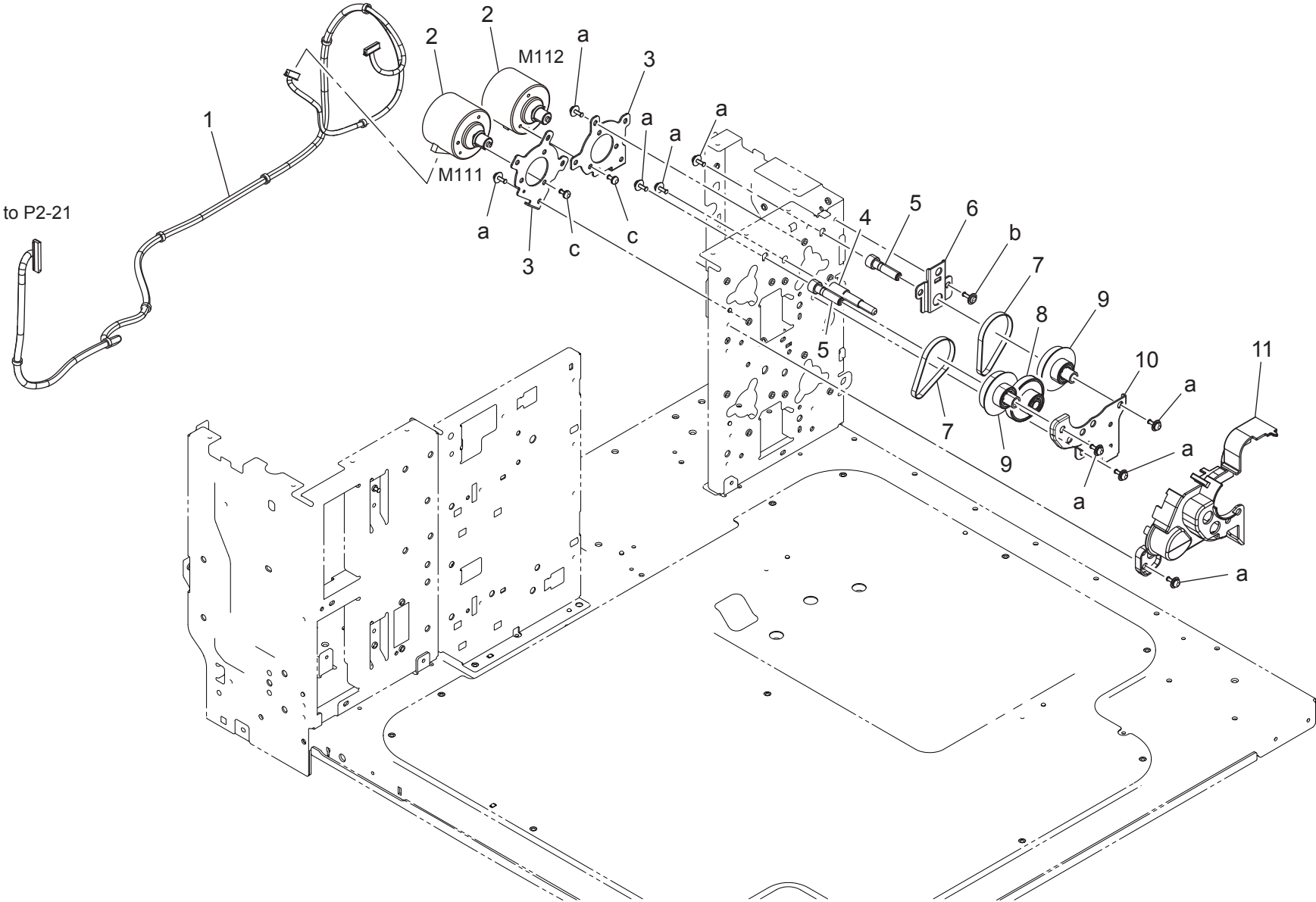
| Key | Part No. | Description | Destinations | Class | QTY | Standard parts |
|-----|------------|--------------------|-------------------|-------|-----|--|
| 1 | A2XM942301 | Label | | C | 1 | a-V144030804 b-V137030804 c-V143040803 d-V144030603 e-V137030803 f-V116031603 |
| 2 | A7VA571400 | Protection Cover | ラベル (注意) 保護カバー | D | 1 | |
| 3 | A093940800 | Label | B,C,G2 | C | 1 | |
| 4 | A860570202 | Cover /Rear | A,A1 | D | 1 | |
| 4 | A860570502 | Cover /Rear | A,A1 カバー/後 | D | 1 | |
| 5 | A860562100 | Reinforce Plate | B,C,G2 カバー/後 | D | 1 | |
| 6 | A860570300 | Cover /Right rear | | C | 1 | |
| 7 | 4061101000 | Castor | | C | 2 | |
| 8 | A860570400 | Cover /Right | | C | 1 | |
| 9 | A860570600 | Cover /Right front | | C | 1 | |
| 10 | A860571900 | Castor | | C | 2 | |
| 11 | A2XM572202 | Mounting Plate | | D | 4 | |
| 12 | A2XM572300 | Seal | | C | 4 | |
| 13 | A860570100 | Cover /Left | | C | 1 | |
| 14 | A860957200 | Mounting Plate | | D | 2 | |
| | | | | | | |
| | | | | | | |
| | | | | | | |
| | | | | | | |
| | | | | | | |
| | | | | | | |
| | | | | | | |
| | | | | | | |
| | | | | | | |
| | | | | | | |
| | | | | | | |
| | | | | | | |
| | | | | | | |
| | | | | | | |

FRAME SECTION



| Key | Part No. | Description | Destinations | Class | QTY | Standard parts |
|-----|------------|------------------------|--------------|-------|-----|----------------|
| 1 | A7VAN10000 | Heater Relay harness | | D | 1 | a-V137030803 |
| 2 | A7VAN10100 | Relay harness | A,A1 | D | 1 | b-V116030803 |
| 3 | A7VAN10300 | Relay harness | | D | 1 | c-V153030803 |
| 4 | A093M60000 | Rocker switch | | D | 1 | d-V144030803 |
| 5 | A2XMR70011 | Heater Assy | A,A1 | C | 1 | e-V217040001 |
| 6 | A2XM561802 | Rail | A,A1 | D | 1 | f-V116030603 |
| 7 | A2XM562100 | Holder | | D | 2 | |
| 8 | A2XM562002 | Holder | | D | 1 | |
| 9 | A161103901 | Roll | | D | 1 | |
| 10 | A7VA564300 | Mounting Plate | | D | 2 | |
| 11 | A161623400 | Roll | | D | 1 | |
| 12 | A7VA632300 | Mounting Plate | | D | 2 | |
| 13 | A1UD192400 | Shoulder screw /2 | | D | 2 | |
| 14 | A7VA632402 | Stopper | | C | 2 | |
| 15 | 4163529301 | SCREW | | D | 2 | |
| 16 | A2XM561501 | Mounting Plate | | C | 2 | |
| 17 | A7VA571200 | Cover | | D | 1 | |
| 18 | A2XM561600 | Rail | | D | 1 | |
| 19 | A2XM561700 | Rail | | D | 1 | |
| 20 | A7VA561500 | Cover | | D | 1 | |
| 21 | A7VAH00100 | PWB Assembly(PWB-CB_1) | | I | 1 | |
| 22 | V502010033 | Circuit Board Spacer | | D | 4 | |
| 23 | A093H00100 | PWB Assy | A,A1 | D | 1 | |
| 24 | A2XMN10E00 | Heater Wiring | A,A1 | C | 1 | |
| | | | | | | |
| | | | | | | |
| | | | | | | |
| | | | | | | |
| | | | | | | |
| | | | | | | |
| | | | | | | |
| | | | | | | |
| | | | | | | |

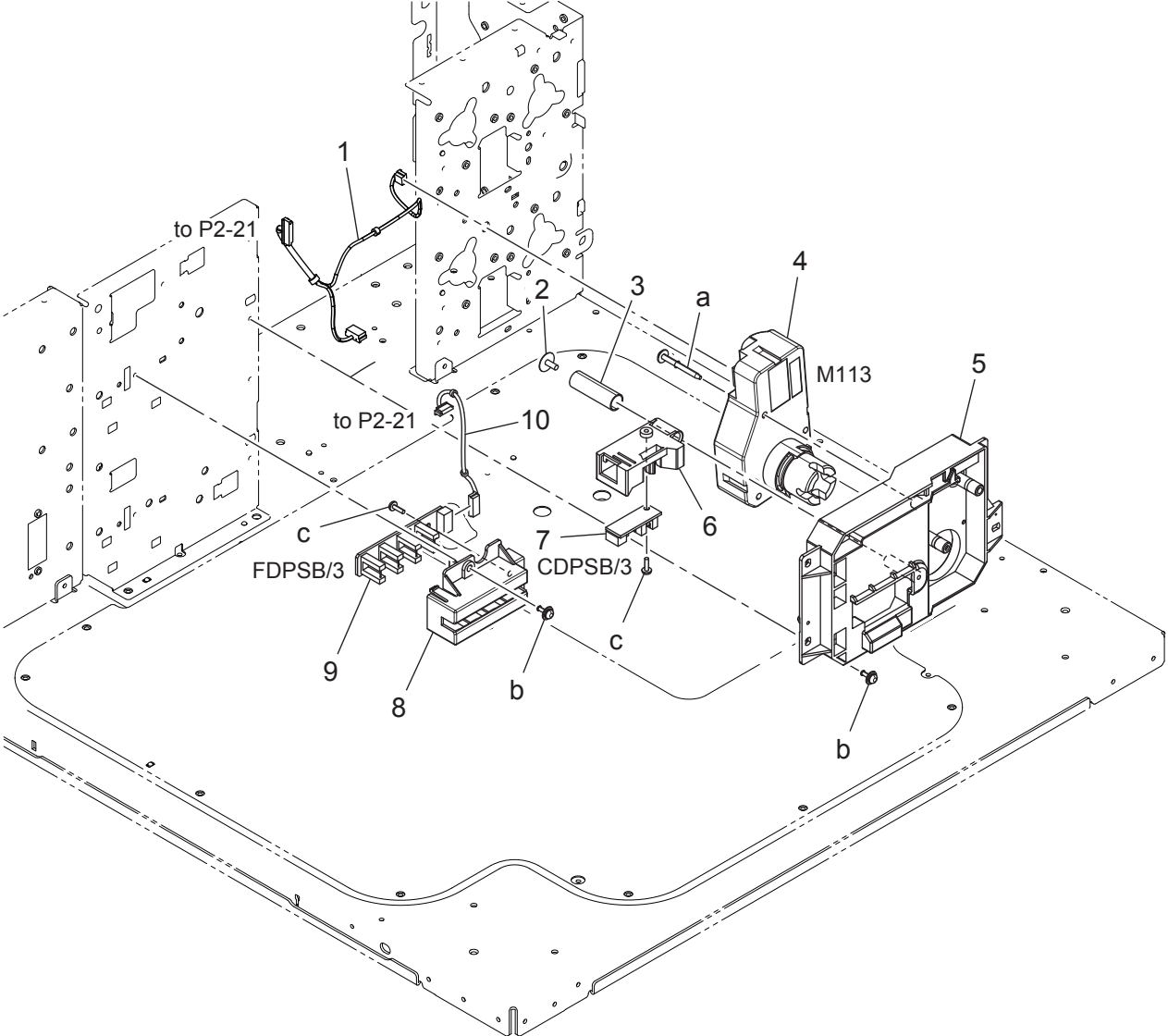
PAPER FEED DRIVE SECTION



PAPER FEED DRIVE SECTION

| Key | Part No. | Description | Destinations | Class | QTY | Standard parts |
|-----|------------|-----------------|--------------|-------|-----|--|
| 1 | A7VAN10H00 | Drive Wiring | | D | 1 | a-V116030803 b-V137030803 c-V115030403 |
| 2 | A7VAM10000 | brushless Motor | | C | 2 | |
| 3 | A7VA590300 | Mounting Plate | | D | 2 | |
| 4 | A2XM591600 | Shaft | | C | 1 | |
| 5 | A2XM591500 | Shaft | | C | 2 | |
| 6 | A2XM590901 | Mounting Plate | | D | 1 | |
| 7 | A2XM592700 | Belt | | C | 2 | |
| 8 | A2XM592200 | Gear | | C | 1 | |
| 9 | A2XM592100 | Pulley | | C | 2 | |
| 10 | A2XM590501 | Mounting Plate | | D | 1 | |
| 11 | A7VA591001 | Cover | | D | 1 | |
| | | | | | | |
| | | | | | | |
| | | | | | | |
| | | | | | | |
| | | | | | | |
| | | | | | | |
| | | | | | | |
| | | | | | | |
| | | | | | | |
| | | | | | | |
| | | | | | | |

CASSETTE SIZE SECTION

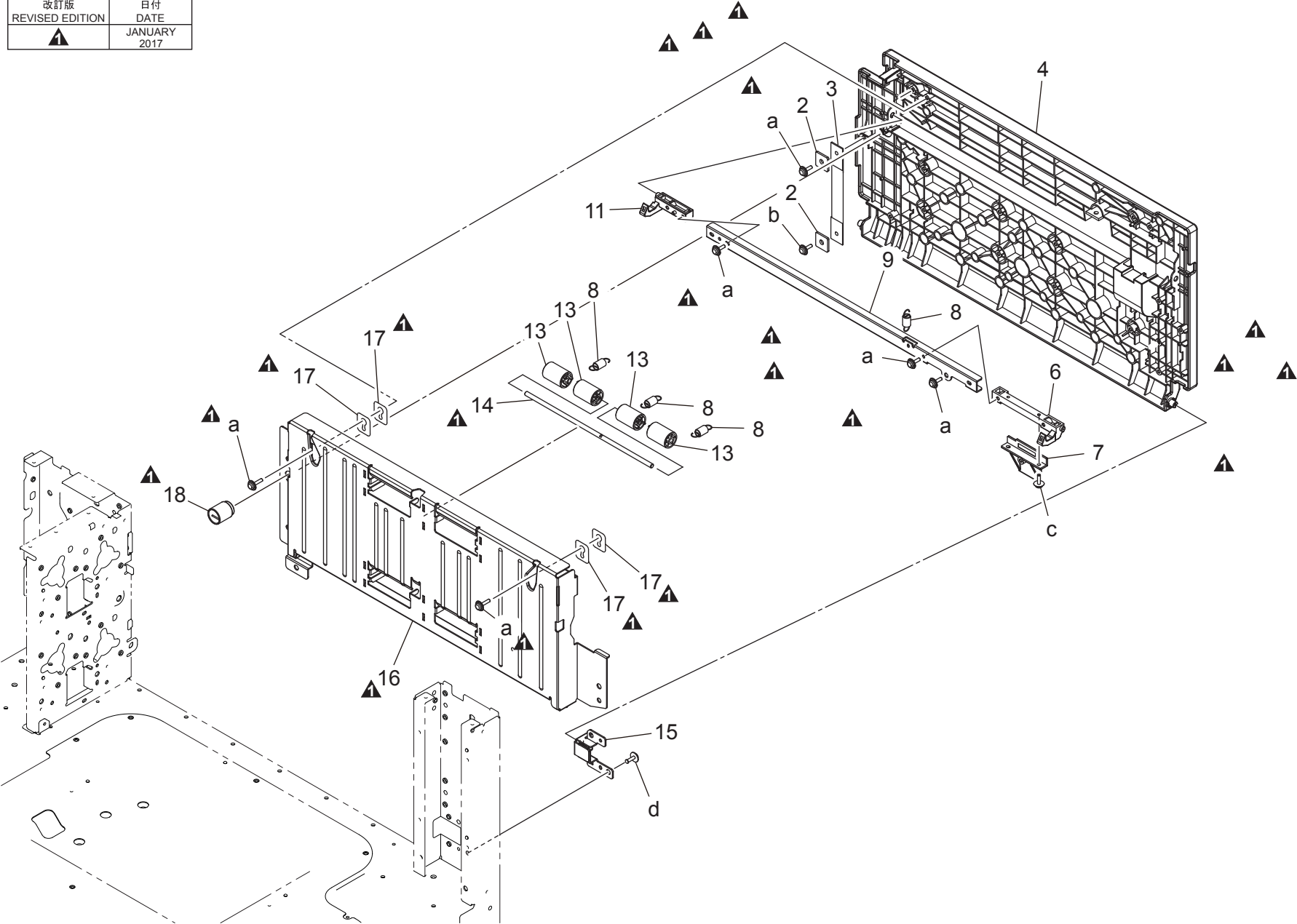


CASSETTE SIZE SECTION

| Key | Part No. | Description | Destinations | Class | QTY | Standard parts |
|-----|------------|---------------------|--------------|-------|-----|--|
| 1 | A7VAN10D00 | Paperfeed Wiring | | D | 1 | a-V153033003 b-V137030803 c-V145030803 |
| 2 | 4163529301 | SCREW | | C | 1 | |
| 3 | 4002311002 | Pressure Spring | | C | 1 | |
| 4 | 9J06M10300 | MOTOR | | B | 1 | |
| 5 | A5C1627101 | Holder | | D | 1 | |
| 6 | A5C1627500 | Holder | | C | 1 | |
| 7 | A161M50501 | Photointerrupter | | C | 1 | |
| 8 | A161628013 | Holder | | C | 1 | |
| 9 | A161M50600 | Photointerrupter | | C | 1 | |
| 10 | A2XMN10F00 | Paperfeed Wiring /2 | | D | 1 | |
| | | | | | | |
| | | | | | | |
| | | | | | | |
| | | | | | | |
| | | | | | | |
| | | | | | | |
| | | | | | | |
| | | | | | | |

PAPER TRANSPORT SECTION

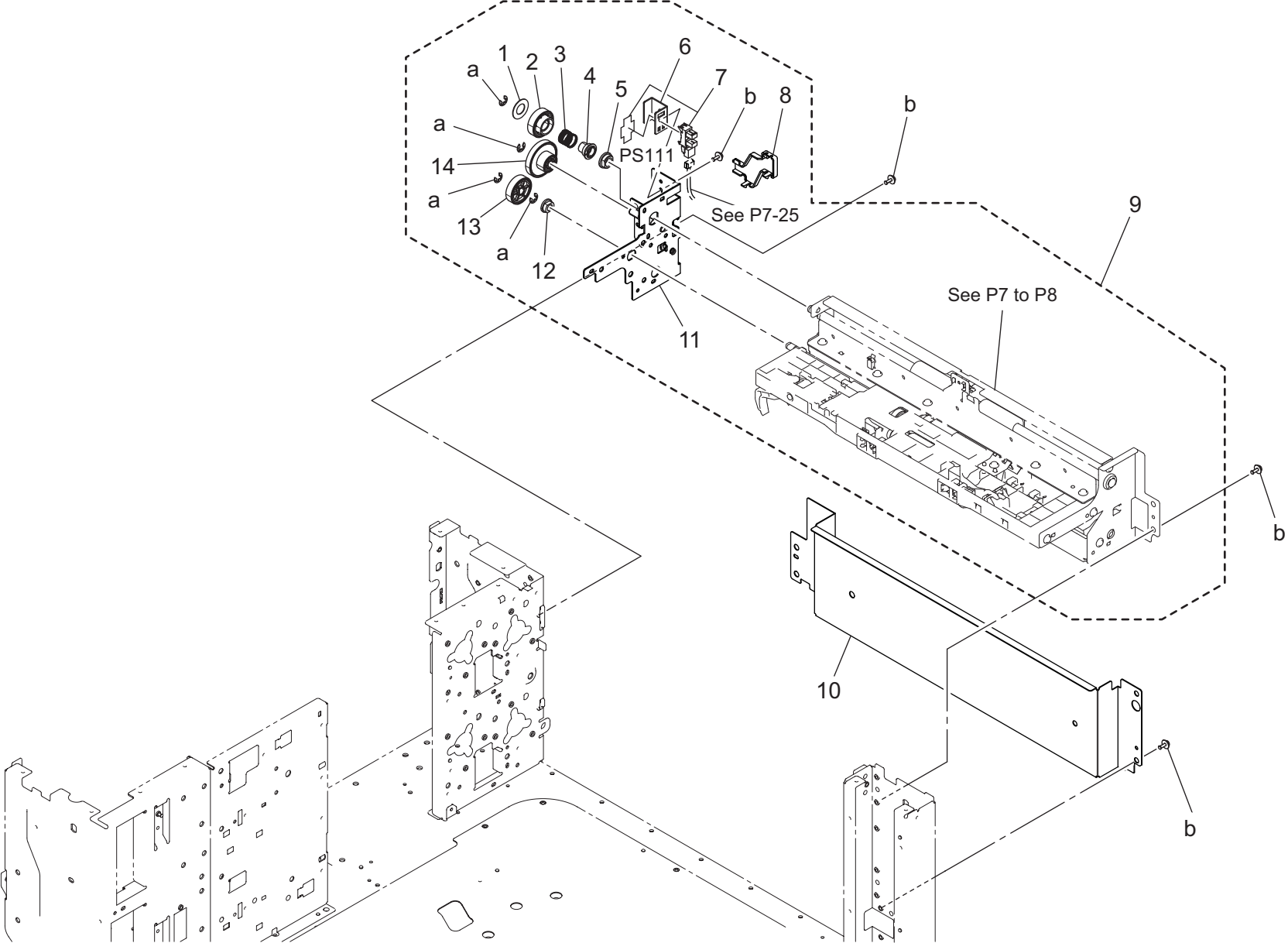
| | |
|------------------------|-----------------|
| 改訂版 REVISED EDITION | 日付 DATE |
| ▲ | JANUARY 2017 |



PAPER TRANSPORT SECTION

| Key | Part No. | Description | Destinations | Class | QTY | Standard parts | |
|-----|---------------|--------------------|--------------|-------|-----|--|--|
| 2 | 1053310301 | SET PLATE | | C | 2 | a-V153030803 b-V116030803 c-V153030804 d-V137030803 | |
| 3 | A7VA563600 | Band | | C | 1 | | |
| 4 | A7VA630700 | Door | | C | 1 | | |
| 6 | A7VA630800 | Lock | | C | 1 | | |
| 7 | A7VA630400 | Lock | | D | 1 | | |
| 8 | A161815500 | Pulling Spring | | C | 4 | | |
| 9 | A7VA630600 | Connecting Plate | | D | 1 | | |
| 11 | A7VA630500 | Claw | | C | 1 | | |
| 13 | A161815400 | Roll | | C | 4 | | |
| 14 | A7VA815300Old | Shaft | | D | 1 | | |
| 14 | A7VA815400 | Conveyance Shaft | | D | 1 | | |
| 15 | A7VA562000 | Mounting Plate | | D | 1 | | |
| 16 | A7VA563501Old | Guide | | D | 1 | | |
| 16 | A7VA563400 | Guide | | D | 1 | | |
| 17 | A860572100 | Spacer | | D | 4 | | |
| 18 | A7VA616000 | Ground Coil spring | | C | 1 | | |
| | | | | | | | |
| | | | | | | | |
| | | | | | | | |
| | | | | | | | |
| | | | | | | | |
| | | | | | | | |
| | | | | | | | |
| | | | | | | | |
| | | | | | | | |

PAPER TAKE-UP SECTION

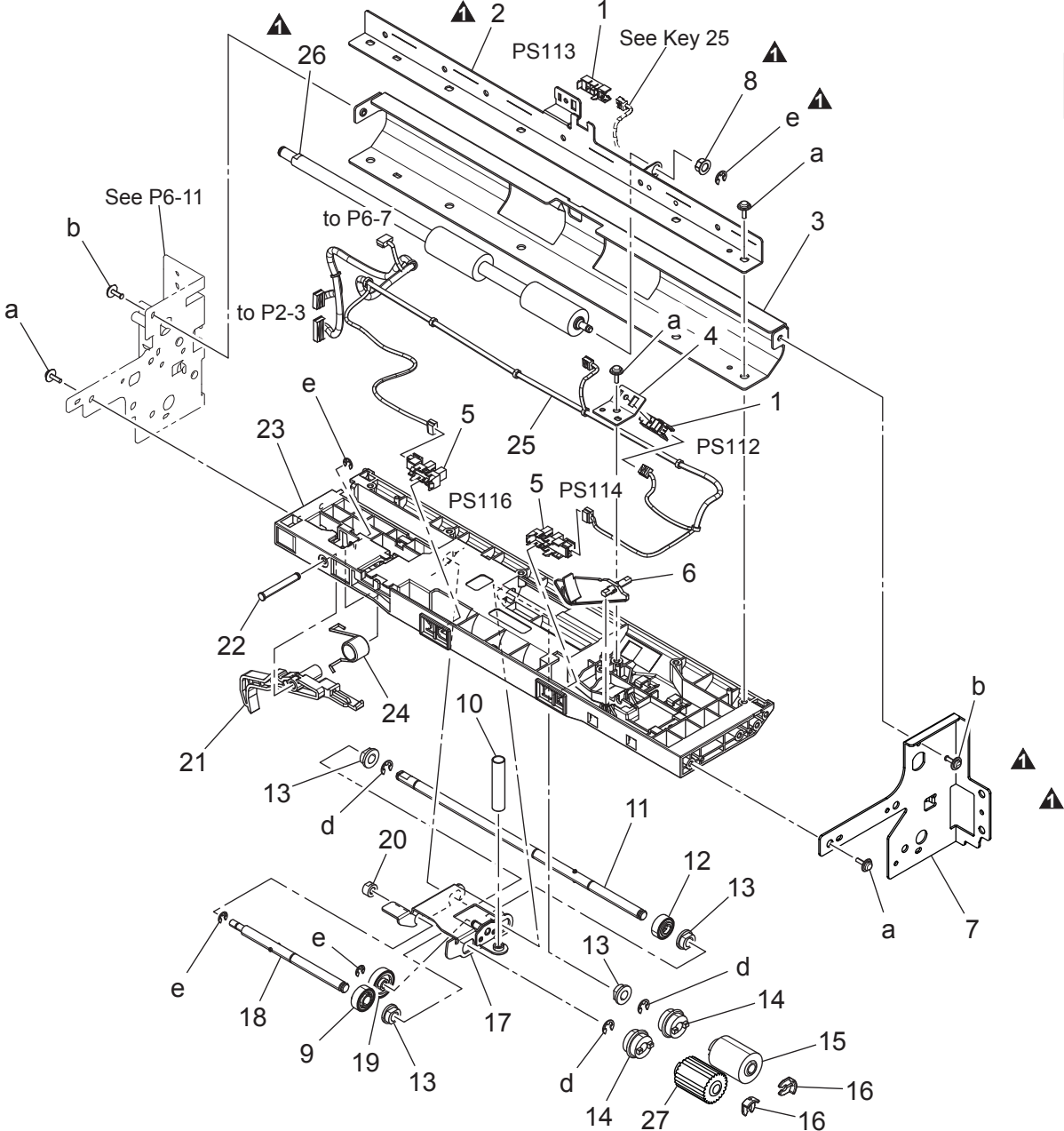


PAPER TAKE-UP SECTION

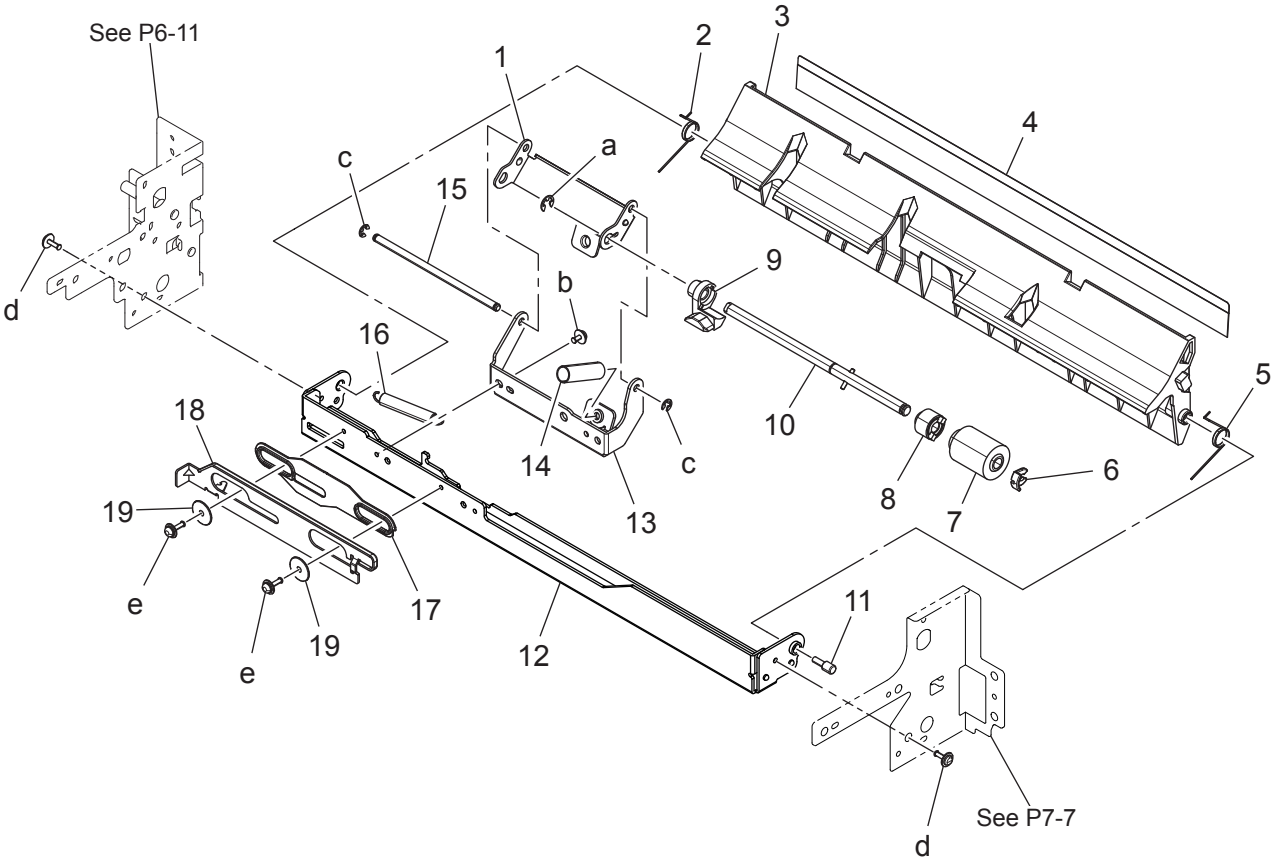
| Key | Part No. | Description | Destinations | Class | QTY | Standard parts |
|-----|------------|----------------------|--------------|-------|-----|------------------------------|
| 1 | A108213800 | Washer | | D | 1 | a-V217040001 b-V116030803 |
| 2 | A2XM592400 | Gear | | C | 1 | |
| 3 | A2XM592602 | Spring | | C | 1 | |
| 4 | A2XM592500 | Guide | | C | 1 | |
| 5 | 4131353202 | BUSHING | | C | 1 | |
| 6 | A2XM591002 | Mounting Plate | | D | 1 | |
| 7 | A5C1R90000 | Photo Interrupter | | B | 1 | |
| 8 | A7VA593500 | Cover | | D | 1 | |
| 9 | A7VAR70700 | Paper Feed Assy /3th | | S | 1 | |
| 10 | A7VA561300 | Cover | | D | 1 | |
| 11 | A7VAR7A000 | Mounting Plate Assy | | D | 1 | |
| 12 | 4131300301 | BUSHING | | C | 1 | |
| 13 | A2XM592300 | Gear | | C | 1 | |
| 14 | A2XM592200 | Gear | | C | 1 | |
| | | | | | | |
| | | | | | | |
| | | | | | | |
| | | | | | | |
| | | | | | | |
| | | | | | | |
| | | | | | | |
| | | | | | | |

PAPER TAKE-UP SECTION

| | |
|------------------------|-----------------|
| 改訂版 REVISED EDITION | 日付 DATE |
| ▲ | OCTOBER 2016 |




PAPER TAKE-UP SECTION



PAPER TAKE-UP SECTION

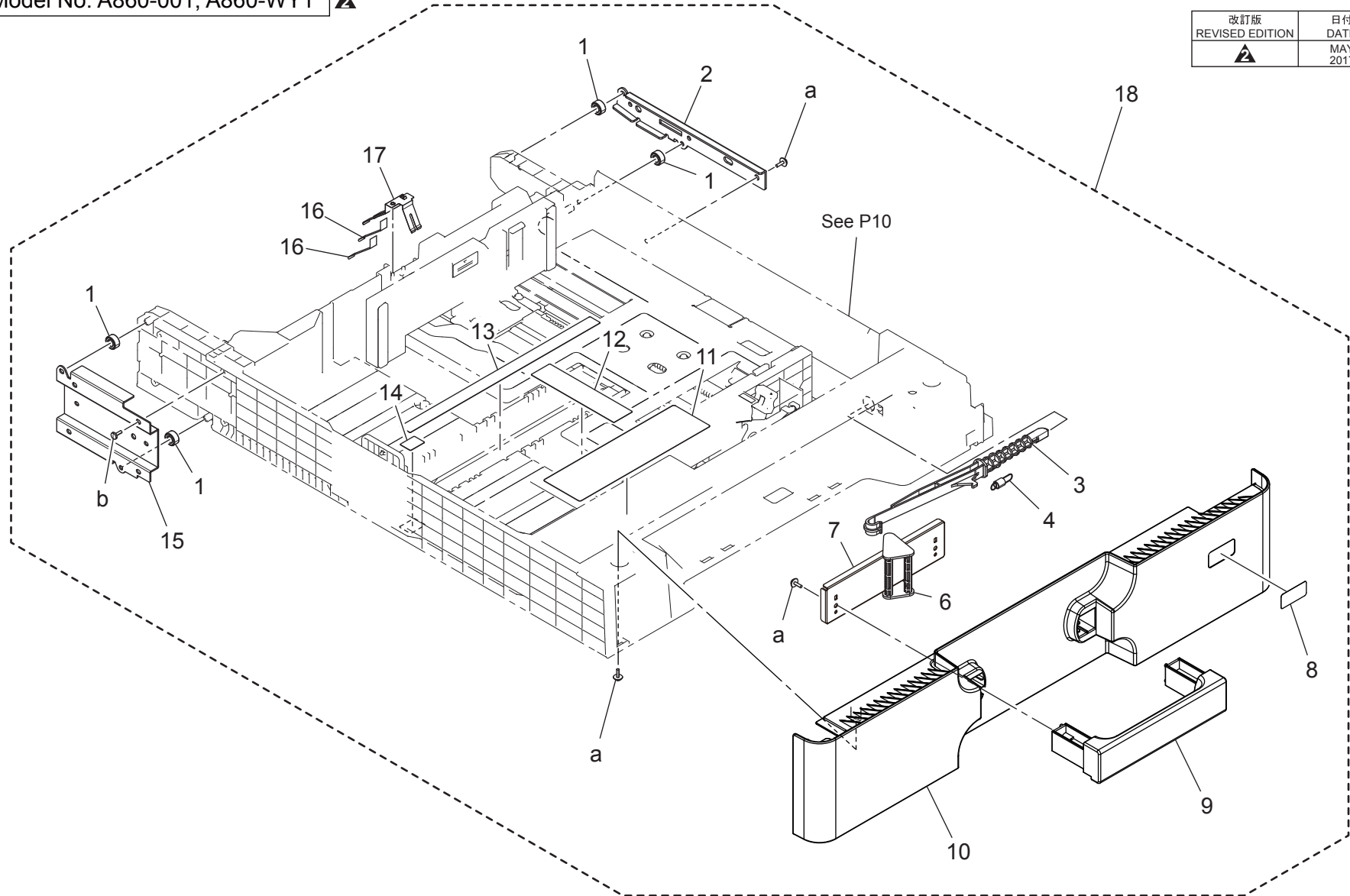
| Key | Part No. | Description | Destinations | Class | QTY | Standard parts |
|-----|------------|---------------------|--------------|-------|-----|--|
| 1 | A2XM567401 | Holder | | C | 1 | a-V217040001 b-V116030603 c-V217030001 d-V137030803 e-V116031003 |
| 2 | A161568800 | Torsion Coil spring | | C | 1 | |
| 3 | A2XM566101 | Guide Plate | | C | 1 | |
| 4 | A2XM566200 | Guide | | C | 1 | |
| 5 | A161568700 | Torsion Coil spring | | C | 1 | |
| 6 | 56AA40490 | SHAFT STOPPER 4 | | C | 1 | |
| 7 | A00J563600 | Roller | | A | 1 | |
| 8 | A0ED563900 | Torque limiter | | C | 1 | |
| 9 | A161563501 | Guide | | D | 1 | |
| 10 | A161563400 | Shaft | | D | 1 | |
| 11 | 4532341001 | SHOULDER SCREW | | D | 1 | |
| 12 | A2XM640700 | Mounting Plate | | D | 1 | |
| 13 | A2XM566902 | Mounting Plate | | D | 1 | |
| 14 | 4030301703 | PRESSURE SPRING | | C | 1 | |
| 15 | A161563300 | Shaft | | D | 1 | |
| 16 | A161564400 | Pulling Coil spring | | C | 1 | |
| 17 | A161564200 | Spacer | | D | 1 | |
| 18 | A161564103 | Lever | | D | 1 | |
| 19 | A161564300 | Spacer | | D | 2 | |
| | | | | | | |
| | | | | | | |
| | | | | | | |
| | | | | | | |
| | | | | | | |
| | | | | | | |
| | | | | | | |
| | | | | | | |
| | | | | | | |
| | | | | | | |
| | | | | | | |

3rd PAPER TRAY UNIT

Model No. A860-001, A860-WY1 

P 9

| | |
|---|-------------|
| 改訂版 REVISED EDITION | 日付 DATE |
|  | MAY 2017 |



3rd PAPER TRAY UNIT

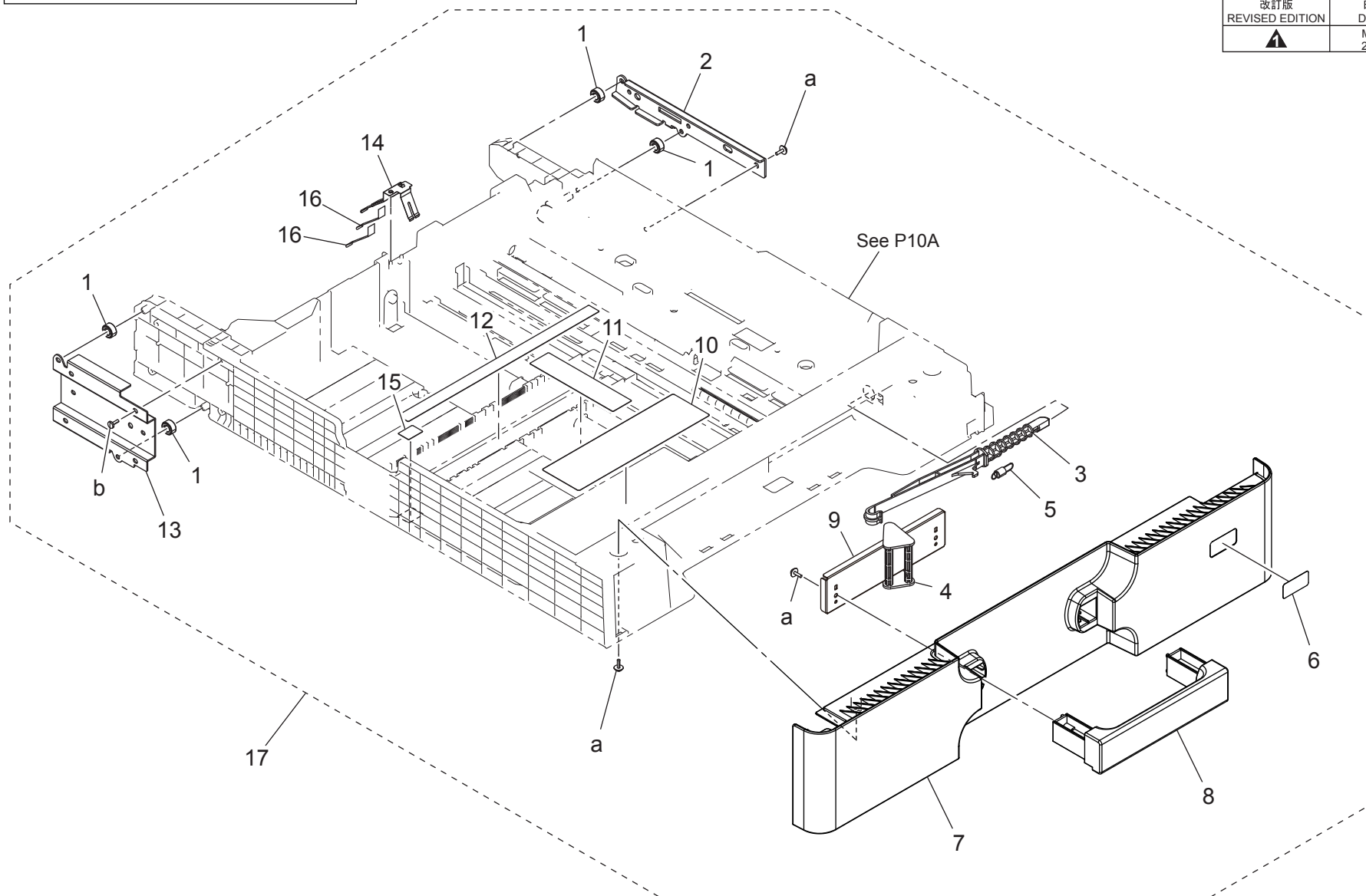
| Key | Part No. | Description | Destinations | Class | QTY | Standard parts |
|-----|------------|--|----------------------------------|-------|-----|------------------------------|
| 1 | A161623400 | Roll ころ | (Model No.A860-001, A860-WY1) | D | 4 | a-V153030803 b-V149030803 |
| 2 | A161623104 | Reinforce Plate /Right 補強板/右 | (Model No.A860-001, A860-WY1) | D | 1 | |
| 3 | A161636502 | Lever レバー (ロック) | (Model No.A860-001, A860-WY1) | C | 1 | |
| 4 | A161626800 | Pulling Coil spring 引張りコイルばね (ロックレバー) | (Model No.A860-001, A860-WY1) | C | 1 | |
| 6 | A161626602 | Lever レバー (解除) | (Model No.A860-001, A860-WY1) | C | 1 | |
| 7 | A2XM569201 | Holder ホルダ (取手) | (Model No.A860-001, A860-WY1) | D | 1 | |
| 8 | A7VA940100 | Label 3 ラベル 3 | (Model No.A860-001, A860-WY1) | C | 1 | |
| 9 | A7AH626901 | Handle 取手 | (Model No.A860-001, A860-WY1) | C | 1 | |
| 10 | A7VA568101 | Cover カバー | (Model No.A860-001, A860-WY1) | C | 1 | |
| 11 | A795942401 | Label ラベル (用紙補給) | (Model No.A860-001, A860-WY1) | C | 1 | |
| 12 | A02E941500 | Label Cd ラベル C D | (Model No.A860-001, A860-WY1) | C | 1 | |
| 13 | A00J942202 | Label FD ラベル F D | (Model No.A860-001, A860-WY1) | C | 1 | |
| 14 | A02E941300 | Label Fd ラベル F D | (Model No.A860-001, A860-WY1) | C | 1 | |
| 15 | A161623203 | Reinforce Plate /Left 補強板/左 | (Model No.A860-001, A860-WY1) | D | 1 | |
| 16 | A55V624700 | Protection Sheet 保護シート | (Model No.A860-001, A860-WY1) | C | 2 | |
| 17 | A161622100 | Ground Plate アース板 (カセット) | (Model No.A860-001, A860-WY1) | D | 1 | |
| 18 | A7VAR70300 | Cassette Assy /3th カセット A s s y / 3 段 | (Model No.A860-001, A860-WY1) | S | 1 | |
| | | | | | | |
| | | | | | | |
| | | | | | | |
| | | | | | | |
| | | | | | | |

3rd PAPER TRAY UNIT

Model No. A860-007, A860-WY7

▲ P 9A

| | |
|------------------------|-------------|
| 改訂版 REVISED EDITION | 日付 DATE |
| ▲ | MAY 2017 |



3rd PAPER TRAY UNIT

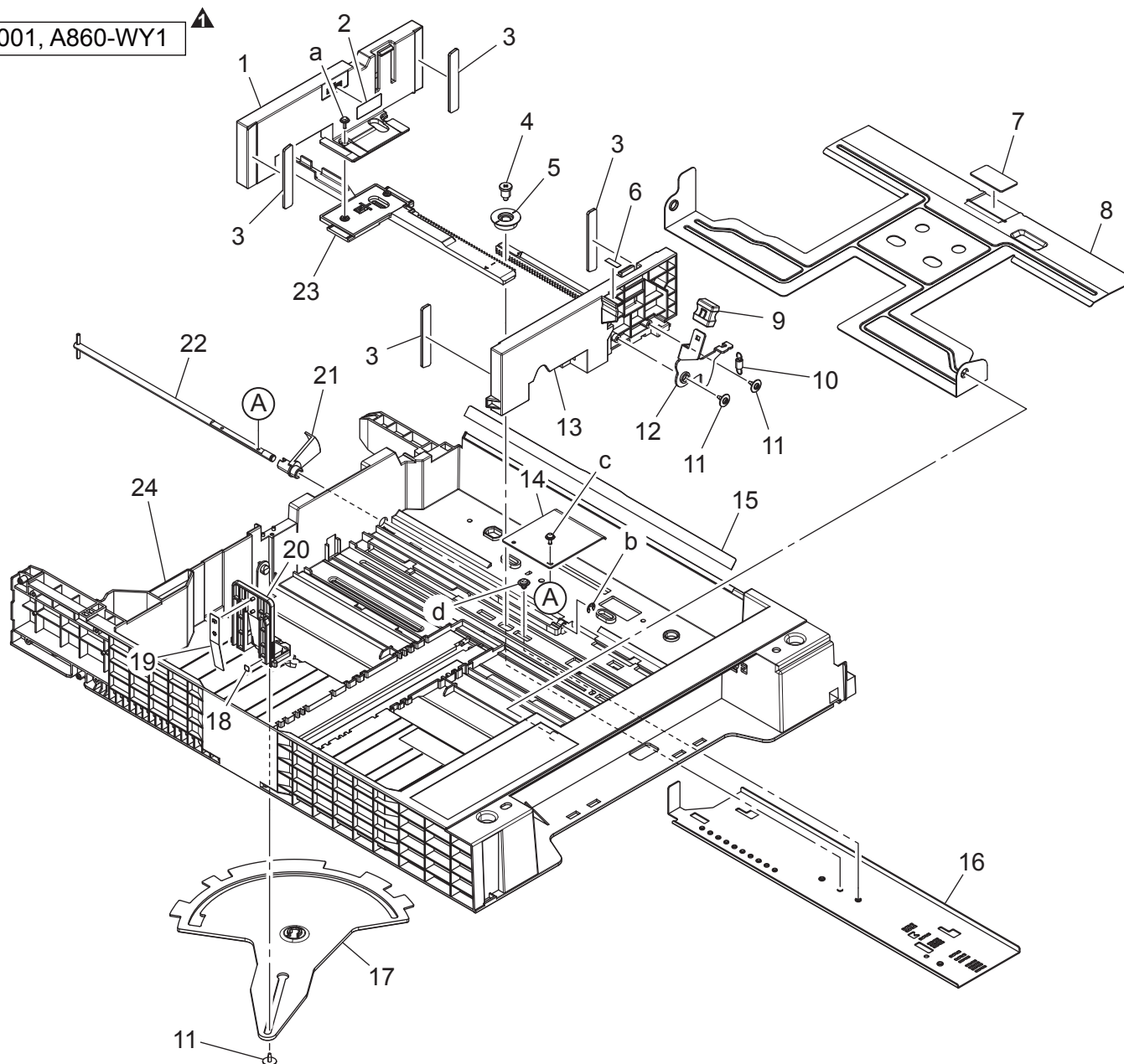
| Key | Part No. | Description | Destinations | Class | QTY | Standard parts |
|-----|------------|--|----------------------------------|-------|-----|------------------------------|
| 1 | A161623400 | Roll ころ | (Model No.A860-007, A860-WY7) | D | 4 | a-V153030803 b-V149030803 |
| 2 | A79J623100 | Reinforce Plate /Right 補強板/右 | (Model No.A860-007, A860-WY7) | D | 1 | |
| 3 | A161636502 | Lever レバー (ロック) | (Model No.A860-007, A860-WY7) | C | 1 | |
| 4 | A161626602 | Lever レバー (解除) | (Model No.A860-007, A860-WY7) | C | 1 | |
| 5 | A161626800 | Pulling Coil spring 引張りコイルばね (ロックレバー) | (Model No.A860-007, A860-WY7) | C | 1 | |
| 6 | A7VA940100 | Label 3 ラベル 3 | (Model No.A860-007, A860-WY7) | C | 1 | |
| 7 | A7VA568101 | Cover カバー | (Model No.A860-007, A860-WY7) | C | 1 | |
| 8 | A7AH626901 | Handle 取手 | (Model No.A860-007, A860-WY7) | C | 1 | |
| 9 | A2XM569201 | Holder ホルダ (取手) | (Model No.A860-007, A860-WY7) | D | 1 | |
| 10 | A795942401 | Label ラベル (用紙補給) | (Model No.A860-007, A860-WY7) | C | 1 | |
| 11 | A79J941500 | Label CD ラベル CD スケール | (Model No.A860-007, A860-WY7) | C | 1 | |
| 12 | A79J941200 | Label FD ラベル FD スケール/1 | (Model No.A860-007, A860-WY7) | C | 1 | |
| 13 | A161623203 | Reinforce Plate /Left 補強板/左 | (Model No.A860-007, A860-WY7) | D | 1 | |
| 14 | A161622100 | Ground Plate アース板 (カセット) | (Model No.A860-007, A860-WY7) | D | 1 | |
| 15 | A79J941300 | Label FD ラベル FD スケール/2 | (Model No.A860-007, A860-WY7) | C | 1 | |
| 16 | A55V624700 | Protection Sheet 保護シート | (Model No.A860-007, A860-WY7) | C | 2 | |
| 17 | A7VAR71000 | Cassette Assy /3rd カセット A s s y /3段 | (Model No.A860-007, A860-WY7) | S | 1 | |
| | | | | | | |
| | | | | | | |
| | | | | | | |
| | | | | | | |

3rd PAPER TRAY UNIT

Model No. A860-001, A860-WY1 ▲

P 10

| | |
|------------------------|-------------|
| 改訂版 REVISED EDITION | 日付 DATE |
| ▲ | MAY 2017 |



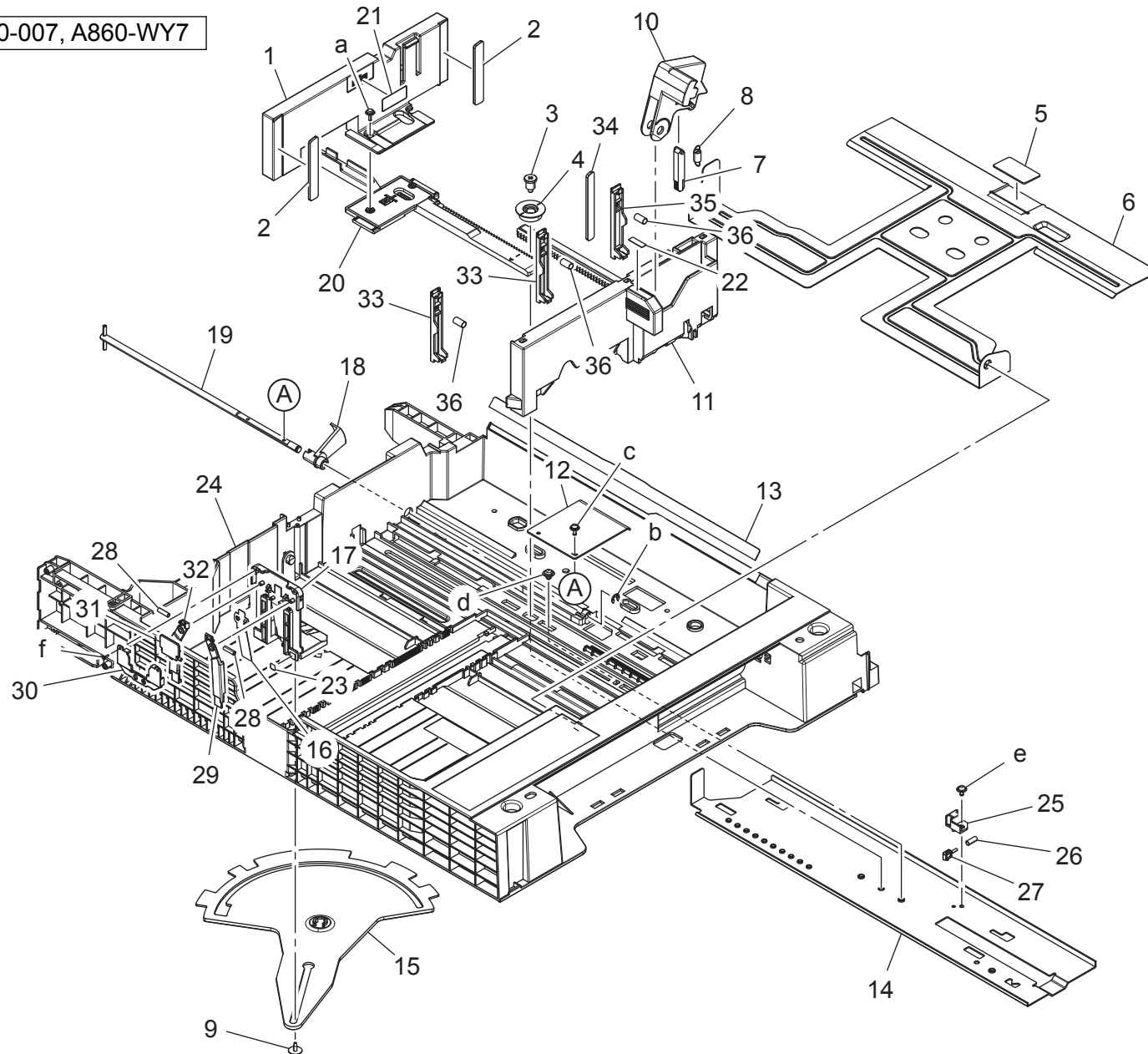
| Key | Part No. | Description | Destinations | Class | QTY | Standard parts |
|-----|------------|-------------------------|--|-------|-----|--|
| 1 | A161620904 | Regulating Plate /Rear | 規制板／後 (Model No.A860-001, A860-WY1) | C | 1 | a-V153030803 b-V217040001 c-V116030803 d-V144040603 |
| 2 | A161943700 | Label Max Level | ラベル 積載量 (Model No.A860-001, A860-WY1) | C | 1 | |
| 3 | A161624100 | Cushion | クッション (ガイド) (Model No.A860-001, A860-WY1) | C | 4 | |
| 4 | A161620600 | Shoulder screw | 段ねじ (Model No.A860-001, A860-WY1) | D | 1 | |
| 5 | A161620701 | Gear | ギア (Model No.A860-001, A860-WY1) | D | 1 | |
| 6 | A161943000 | Label | ラベル (Model No.A860-001, A860-WY1) | C | 1 | |
| 7 | 4030322601 | FRICION SHEET | 摩擦板 (Model No.A860-001, A860-WY1) | C | 1 | |
| 8 | A161620400 | Lifting Plate | 押上げ板 (Model No.A860-001, A860-WY1) | D | 1 | |
| 9 | 4037320401 | KNOB | つまみ (Model No.A860-001, A860-WY1) | C | 1 | |
| 10 | A0ED621400 | Pulling Coil spring | 引張りコイルばね (Model No.A860-001, A860-WY1) | D | 1 | |
| 11 | 4163529301 | SCREW | ねじ (Model No.A860-001, A860-WY1) | C | 3 | |
| 12 | A161621300 | Lever | レバー (Model No.A860-001, A860-WY1) | D | 1 | |
| 13 | A161620803 | Regulating Plate /Front | 規制板／前 (Model No.A860-001, A860-WY1) | C | 1 | |
| 14 | 4030320601 | LEVER | レバー (Model No.A860-001, A860-WY1) | D | 1 | |
| 15 | A0ED620200 | Guide | ガイド (前さばき) (Model No.A860-001, A860-WY1) | C | 1 | |
| 16 | A161621900 | Mounting Plate | 取付板 (Model No.A860-001, A860-WY1) | D | 1 | |
| 17 | A161621411 | Lever | レバー (Model No.A860-001, A860-WY1) | C | 1 | |
| 18 | A02E940300 | Label | ラベル (Model No.A860-001, A860-WY1) | C | 1 | |
| 19 | A161621800 | Plate spring | 板ばね (Model No.A860-001, A860-WY1) | C | 1 | |
| 20 | A161621701 | Regulating Plate | 規制板 (後端) (Model No.A860-001, A860-WY1) | C | 1 | |
| 21 | A0ED620701 | Actuator | アクチュエータ (Model No.A860-001, A860-WY1) | C | 1 | |
| 22 | A161621600 | Lifting Shaft | 押上げ軸 (Model No.A860-001, A860-WY1) | D | 1 | |
| 23 | A161621100 | Rack | ラック (Model No.A860-001, A860-WY1) | C | 1 | |
| 24 | A161620107 | Paper feed Cassette | 給紙カセット (A 3) (Model No.A860-001, A860-WY1) | D | 1 | |
| | | | | | | |
| | | | | | | |

3rd PAPER TRAY UNIT

Model No. A860-007, A860-WY7

▲ P 10A

| | |
|------------------------|-------------|
| 改訂版 REVISED EDITION | 日付 DATE |
| ▲ | MAY 2017 |



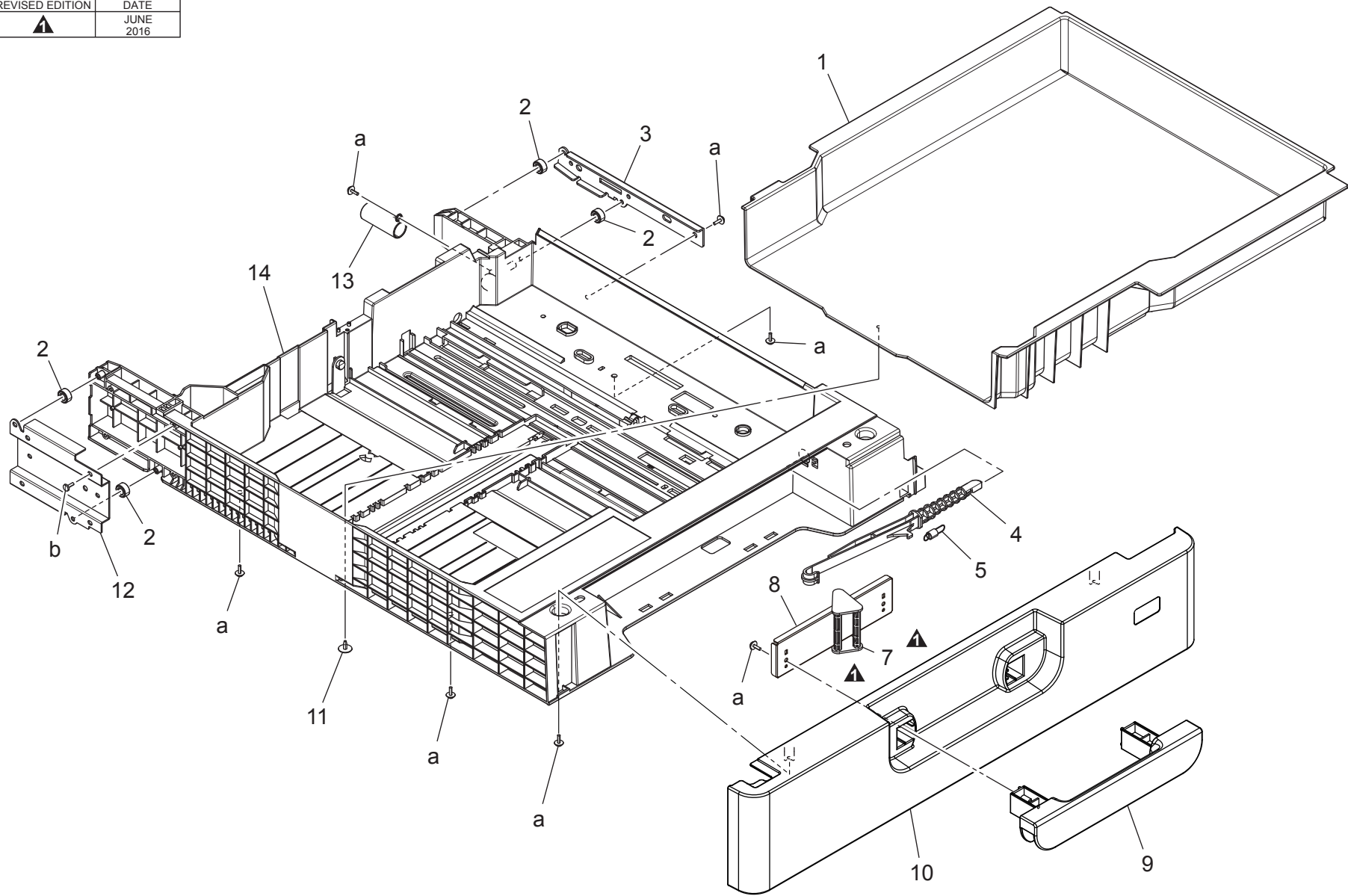
3rd PAPER TRAY UNIT

| Key | Part No. | Description | Destinations | Class | QTY | Standard parts | |
|-----|------------|------------------------|--------------|----------------------------------|-----|----------------|--|
| 1 | A161620904 | Regulating Plate /Rear | 規制板/後 | (Model No.A860-007, A860-WY7) | C | 1 | a-V153030803 b-V217040001 c-V116030803 d-V144040603 e-V127030604 f-V166170504 |
| 2 | A161624100 | Cushion | クッション (ガイド) | (Model No.A860-007, A860-WY7) | C | 2 | |
| 3 | A161620600 | Shoulder screw | 段ねじ | (Model No.A860-007, A860-WY7) | D | 1 | |
| 4 | A161620701 | Gear | ギア | (Model No.A860-007, A860-WY7) | D | 1 | |
| 5 | 4030322601 | FRICITION SHEET | 摩擦板 | (Model No.A860-007, A860-WY7) | C | 1 | |
| 6 | A161620400 | Lifting Plate | 押上げ板 | (Model No.A860-007, A860-WY7) | D | 1 | |
| 7 | A7AH621200 | Lock Lever | ロックレバー | (Model No.A860-007, A860-WY7) | D | 1 | |
| 8 | A7AH621000 | Pulling Coil spring | 引張りコイルばね | (Model No.A860-007, A860-WY7) | C | 1 | |
| 9 | 4163529301 | SCREW | ねじ | (Model No.A860-007, A860-WY7) | C | 1 | |
| 10 | A795621301 | Operation Lever | 操作レバー | (Model No.A860-007, A860-WY7) | C | 1 | |
| 11 | A795620800 | Regulating Plate | 規制板 | (Model No.A860-007, A860-WY7) | C | 1 | |
| 12 | 4030320601 | LEVER | レバー | (Model No.A860-007, A860-WY7) | D | 1 | |
| 13 | A0ED620200 | Guide | ガイド (前さばき) | (Model No.A860-007, A860-WY7) | C | 1 | |
| 14 | A795621900 | Mounting Plate | 取付板 | (Model No.A860-007, A860-WY7) | D | 1 | |
| 15 | A161621411 | Lever | レバー | (Model No.A860-007, A860-WY7) | C | 1 | |
| 16 | A795565600 | Plate spring | 板ばね | (Model No.A860-007, A860-WY7) | C | 1 | |
| 17 | A795565000 | Regulating Plate | 規制板 | (Model No.A860-007, A860-WY7) | D | 1 | |
| 18 | A0ED620701 | Actuator | アクチュエータ | (Model No.A860-007, A860-WY7) | C | 1 | |
| 19 | A161621600 | Lifting Shaft | 押上げ軸 | (Model No.A860-007, A860-WY7) | D | 1 | |
| 20 | A161621100 | Rack | ラック | (Model No.A860-007, A860-WY7) | C | 1 | |
| 21 | A161943700 | Label Max Level | ラベル 積載量 | (Model No.A860-007, A860-WY7) | C | 1 | |
| 22 | A161943000 | Label | ラベル | (Model No.A860-007, A860-WY7) | C | 1 | |
| 23 | A02E940300 | Label | ラベル | (Model No.A860-007, A860-WY7) | C | 1 | |
| 24 | A79J620100 | Paper feed Cassette | 給紙カセット | (Model No.A860-007, A860-WY7) | D | 1 | |
| 25 | A795565700 | Holder | ホルダ | (Model No.A860-007, A860-WY7) | C | 1 | |
| 26 | A795565900 | Compressing Spring | 圧縮ばね | (Model No.A860-007, A860-WY7) | C | 1 | |
| 27 | A795565800 | Lever | レバー | (Model No.A860-007, A860-WY7) | C | 1 | |

| Key | Part No. | Description | | Destinations | Class | QTY | Standard parts |
|-----|------------|--------------------|---------|----------------------------------|-------|-----|----------------|
| 28 | A795565500 | Compressing Spring | 圧縮ばね | (Model No.A860-007, A860-WY7) | C | 2 | |
| 29 | A795565100 | Lock Lever | ロックレバー | (Model No.A860-007, A860-WY7) | C | 1 | |
| 30 | A795565300 | Cover | カバー | (Model No.A860-007, A860-WY7) | C | 1 | |
| 31 | A795565400 | Operation Lever | 操作レバー | (Model No.A860-007, A860-WY7) | C | 1 | |
| 32 | A795565200 | Lock Lever | ロックレバー | (Model No.A860-007, A860-WY7) | C | 1 | |
| 33 | A795622600 | Auxiliary Guide /2 | 補助ガイド／2 | (Model No.A860-007, A860-WY7) | C | 2 | |
| 34 | A795566000 | Cushion | クッション | (Model No.A860-007, A860-WY7) | C | 1 | |
| 35 | A795622500 | Auxiliary Guide /1 | 補助ガイド／1 | (Model No.A860-007, A860-WY7) | C | 1 | |
| 36 | A795622700 | Compressing Spring | 圧縮ばね | (Model No.A860-007, A860-WY7) | C | 3 | |
| | | | | | | | |
| | | | | | | | |
| | | | | | | | |
| | | | | | | | |
| | | | | | | | |
| | | | | | | | |
| | | | | | | | |
| | | | | | | | |
| | | | | | | | |

RECEIPT TRAY

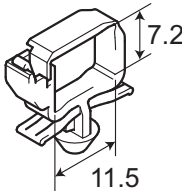
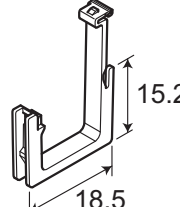
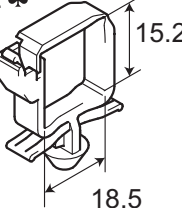
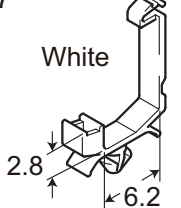
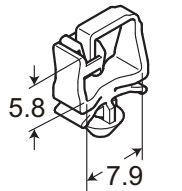
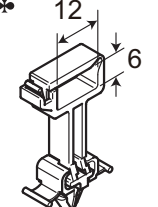
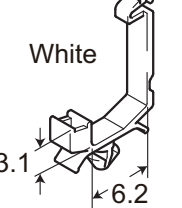
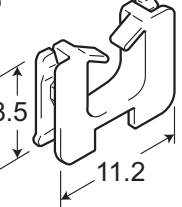
| | |
|---|--------------|
| 改訂版 REVISED EDITION | 日付 DATE |
|  | JUNE 2016 |



RECEIPT TRAY

| Key | Part No. | Description | Destinations | Class | QTY | Standard parts |
|-----|------------|-------------------------|--------------|-------|-----|------------------------------|
| 1 | A2XM569001 | Cassette | | D | 1 | a-V153030803 b-V149030803 |
| 2 | A161623400 | Roll | | D | 4 | |
| 3 | A161623104 | Reinforce Plate /Right | | D | 1 | |
| 4 | A161636502 | Lever | | C | 1 | |
| 5 | A161626800 | Pulling Coil spring | | C | 1 | |
| 7 | A161626602 | Lever | | C | 1 | |
| 8 | A2XM569201 | Holder | | D | 1 | |
| 9 | A7VA626901 | Handle | | C | 1 | |
| 10 | A7VA568201 | Cover | | C | 1 | |
| 11 | 4163529301 | SCREW | | C | 1 | |
| 12 | A161623203 | Reinforce Plate /Left | | D | 1 | |
| 13 | A161627000 | Compressing Coil spring | | C | 1 | |
| 14 | A161620107 | Paper feed Cassette | | D | 1 | |
| | | | | | | |
| | | | | | | |
| | | | | | | |
| | | | | | | |
| | | | | | | |
| | | | | | | |
| | | | | | | |
| | | | | | | |

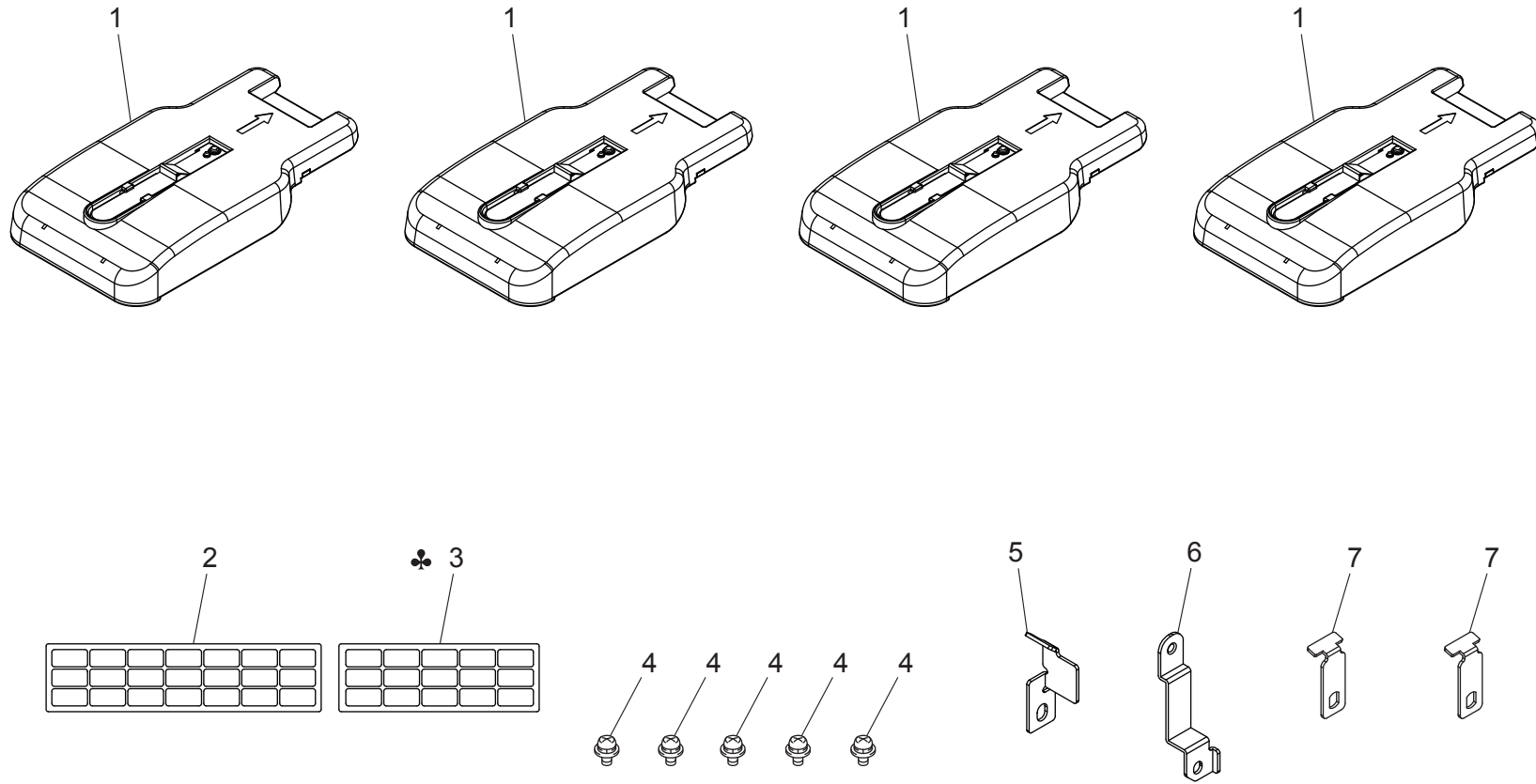
WIRING ACCESSORIES AND JIGS

| | | | | | | | |
|--|---|--|--|--|--|--|--|
| <p>1</p>  | <p>6</p>  | | | | | | |
| <p>2 ♣</p>  | <p>7</p> <p>White</p>  | | | | | | |
| <p>3</p>  | <p>8 ♣</p>  | | | | | | |
| <p>4</p> <p>White</p>  | | | | | | | |
| <p>5</p>  | | | | | | | |

WIRING ACCESSORIES AND JIGS

| Key | Part No. | Description | Destinations | Class | QTY | Standard parts |
|-----|------------|--------------------------|--------------|-------|-----|----------------|
| 1 | V500010082 | Locking Wire Saddle | | D | | |
| 2 | V500010083 | Locking Wire Saddle | A,A1 | D | | |
| 3 | V500020098 | Mini Locking wire saddle | | D | | |
| 4 | V500020099 | Mini Locking wire saddle | | D | | |
| 5 | V570010021 | Saddle | | D | | |
| 6 | V570010026 | Locking Edge Saddle | | D | | |
| 7 | V500010046 | saddle | | D | | |
| 8 | V500020101 | Reuse spacing clamp | A,A1 | V | | |
| | | | | | | |
| | | | | | | |
| | | | | | | |
| | | | | | | |
| | | | | | | |
| | | | | | | |
| | | | | | | |
| | | | | | | |
| | | | | | | |

ACCESSORY PARTS



MAINTENANCE LIST

● The items with no Page/Key numbers are not handled as spare parts.

| No. | Section | PM Parts Description | Maintenance Cycle (K=1,000) | | Parts No. | Destinations | Page/Key | Note |
|-----|-----------------------|----------------------|-----------------------------|---------|------------|--------------|----------|-------|
| | | | QTY | Replace | | | | |
| 1 | Paper Take-up Section | Pick-up roller | 1 | 300K | A5C1562200 | | P7-27 | *1 *2 |
| 2 | | Feed roller | 1 | 300K | A00J563600 | | P7-15 | *1 *2 |
| 3 | | Separation roller | 1 | 300K | A00J563600 | | P8-7 | *1 *2 |

*1: Actual durable cycle (life counter value)

*2: Replace those parts at the same time.

メンテナンスリスト

● ページ / キーナンバーのないものは、アフターサービス部品ではありません。

| No. | 区分 | PM 部品名称 | サイクル (K=1,000) | | 部品番号 | 仕向地 | 頁 / キー | 備考 |
|-----|-----|------------|----------------|------|------------|-----|--------|-------|
| | | | 員数 | 交換 | | | | |
| 1 | 給紙部 | ピックアップローラー | 1 | 300K | A5C1562200 | | P7-27 | *1 *2 |
| 2 | | 給紙ローラー | 1 | 300K | A00J563600 | | P7-15 | *1 *2 |
| 3 | | 分離ローラー | 1 | 300K | A00J563600 | | P8-7 | *1 *2 |

*1: ライフカウンター値

*2: 同時交換する。

DESTINATION

| Destination No. | | Destinations | | V | Hz | Model No. |
|-----------------|----|--|---|---------|-------|---------------------|
| A | A1 | JAPAN | | 100 | 50/60 | A860001, A860007 |
| | A2 | JAPAN | | | | |
| B | | USA, CANADA | | 120 | 60 | A860WY1, A860WY7 |
| C | | EUROPEAN TYPE | | 220-240 | 50/60 | A860WY1, A860WY7 |
| D | D1 | S.E ASIA TYPE | THAILAND, SRI LANKA, SINGAPORE, MALAYSIA, HONG KONG, PAKISTAN, INDIA, BANGLADESH, INDONESIA | 220-240 | 50/60 | A860WY1, A860WY7 |
| | D3 | OCEANIA TYPE | AUSTRALIA, NEW ZEALAND | 220-240 | 50/60 | A860WY1, A860WY7 |
| E | | PHILIPPINES | | 220-240 | 50/60 | A860WY1, A860WY7 |
| F | F1 | SAUDI ARABIA | | | | |
| | F2 | SAUDI ARABIA | | 220-240 | 50/60 | A860WY1, A860WY7 |
| G | G1 | C.S AMERICA | | 220-240 | 50/60 | A860WY1, A860WY7 |
| | G2 | C.S AMERICA | | 120 | 60 | A860WY1, A860WY7 |
| H | | TAIWAN | | 110 | 60 | A860WY1, A860WY7 |
| I | | JORDAN, LEBANON, SYRIA, SOUTH AFRICA, IRAQ, IRAN, N.YEMEN, CAMEROON, UAE, BAHRAIN, OMAN, QATAR, KUWAIT, KENYA, TUNISIA, IVORY COAST, MOROCCO | | 220-240 | 50/60 | A860WY1, A860WY7 |

| Destination No. | Destinations | V | Hz | Model No. |
|------------------------|---------------------|----------|-----------|---------------------|
| J | CHINA | 220-240 | 50/60 | A860WY1, A860WY7 |
| K | KOREA | 220-240 | 50/60 | A860WY1, A860WY7 |