

KONICA MINOLTA

PARTS GUIDE MANUAL

MARCH 2018

bizhub 227
A7AK

INFORMATION FOR PARTS GUIDE MANUAL

To find correct Parts No., refer to the "HOW TO MAKE THE BEST USE OF THIS MANUAL" in the following page.

HOW TO MAKE THE BEST USE OF THIS MANUAL

- 1 When you order, please check the proper figures beforehand that are on Our Parts Guide Manual, and order with the appropriate figures.
- 2 For screws, Nuts, Washers, retaining rings and Pins which are used in this model, one letter is shown on the Standard parts column of Parts list and exploded diagrams.
- 3 In order to maintain safety of the product, some specific parts composed of this product are set up as "essential safety parts".
- 4 The assigned parts number for the "essential safety parts" is indicated as "SP00-****".
When replacing these parts, follow precautions for disassembling and installing which are listed in the Service Manual.
Do not use any parts that are not set up as
- 5 ♣ means that there are exclusive parts for each destination.
Please check the appropriate destination when you order.
- 6 Revision Mark
Marked as ▲ on the illustration shows that the revision has been made.
- 7 All rights reserved. (any reprints or quotations are prohibited.)
Use of this parts guide manual should be strictly supervised to avoid disclosure of confidential information.

パーツガイドマニュアルのご案内

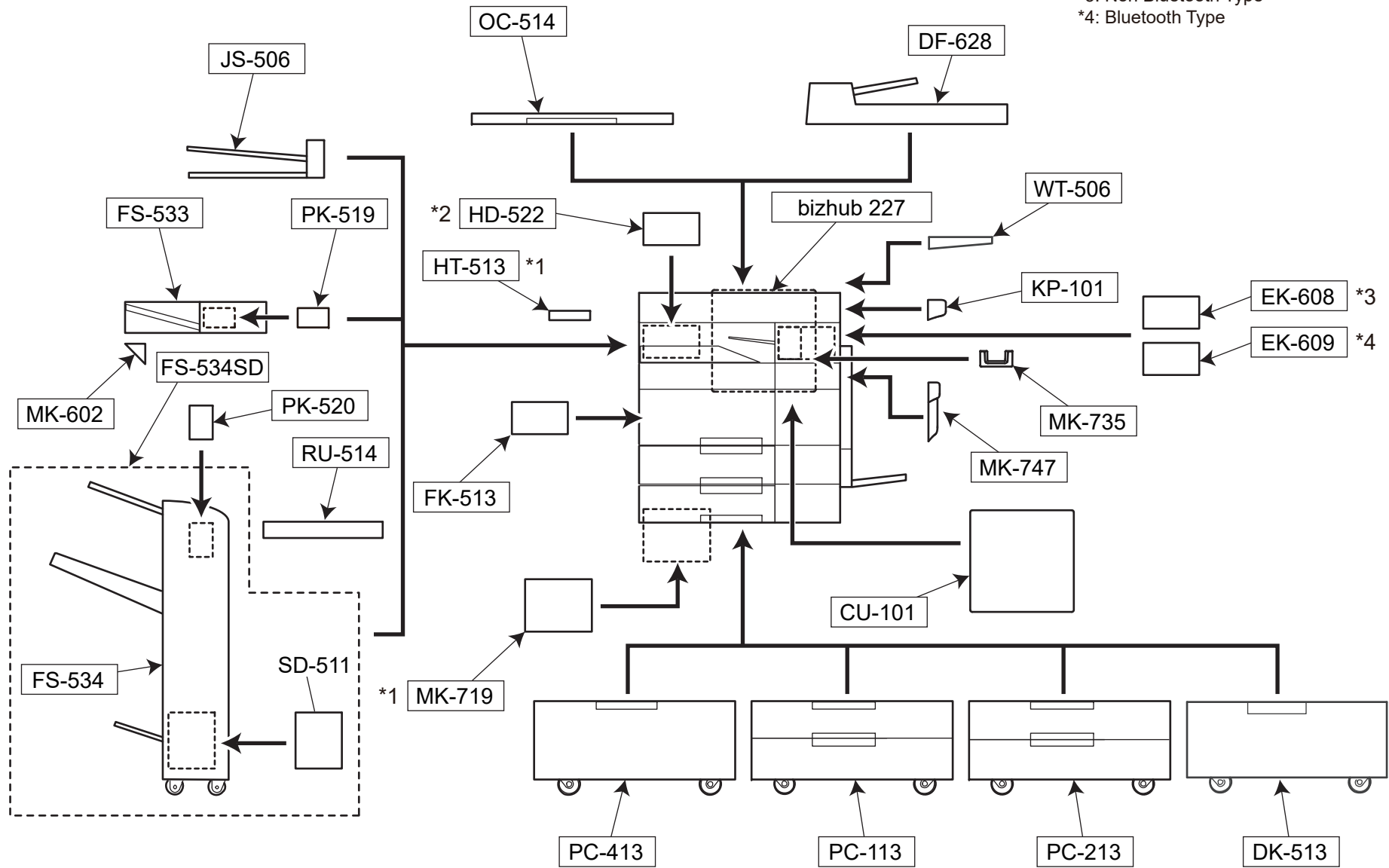
サービス部品をご発注の際には、下記に示す“パーツガイドマニュアルの活用にあたって”をご参照の上、正しい部品番号にてお願い致します。

パーツガイドマニュアルの活用にあたって

- 1 部品発注の際には、掲載されている部品番号の桁数を確認し、掲載されている桁数で発注願います。
- 2 この製品に使用されているネジ、ナット、ワッシャー、止め輪、ピンなどは、リストの右側の Standard parts 欄に a,b,c,…… で表示し、イラストにも a,b,c,…… 表示してあります。
- 3 製品の安全性を維持する為に、製品に使用される特定の部品を「重要保安部品」として設定しています。
- 4 重要保安部品の部品番号は、“SP00-****”と記載されていますので、部品交換時は、サービスマニュアル記載の分解・組み立ての注意事項に従って作業をして下さい。
また、指定以外の部品は一切使用しないで下さい。
- 5 本文に ♣ が表示されている部品は、仕向け地毎に専用部品がある事を意味しています。
オーダーされる時は、仕向け地を確認して下さい。
- 6 改訂記号について
イラスト上に ▲ 印が表示されている部分は、改訂された事を表します。
- 7 著作権所有（無断転載及び無断引用の禁止）
本パーツガイドマニュアルについては、機密保持等その扱いには十分注意して下さい。万一取り扱いを誤った場合には、法律で処罰されることがあります。

System Configuration

- *1: for Model No. A7AH001
- *2: for Model No. A7AH041
- *3: Non Bluetooth Type
- *4: Bluetooth Type

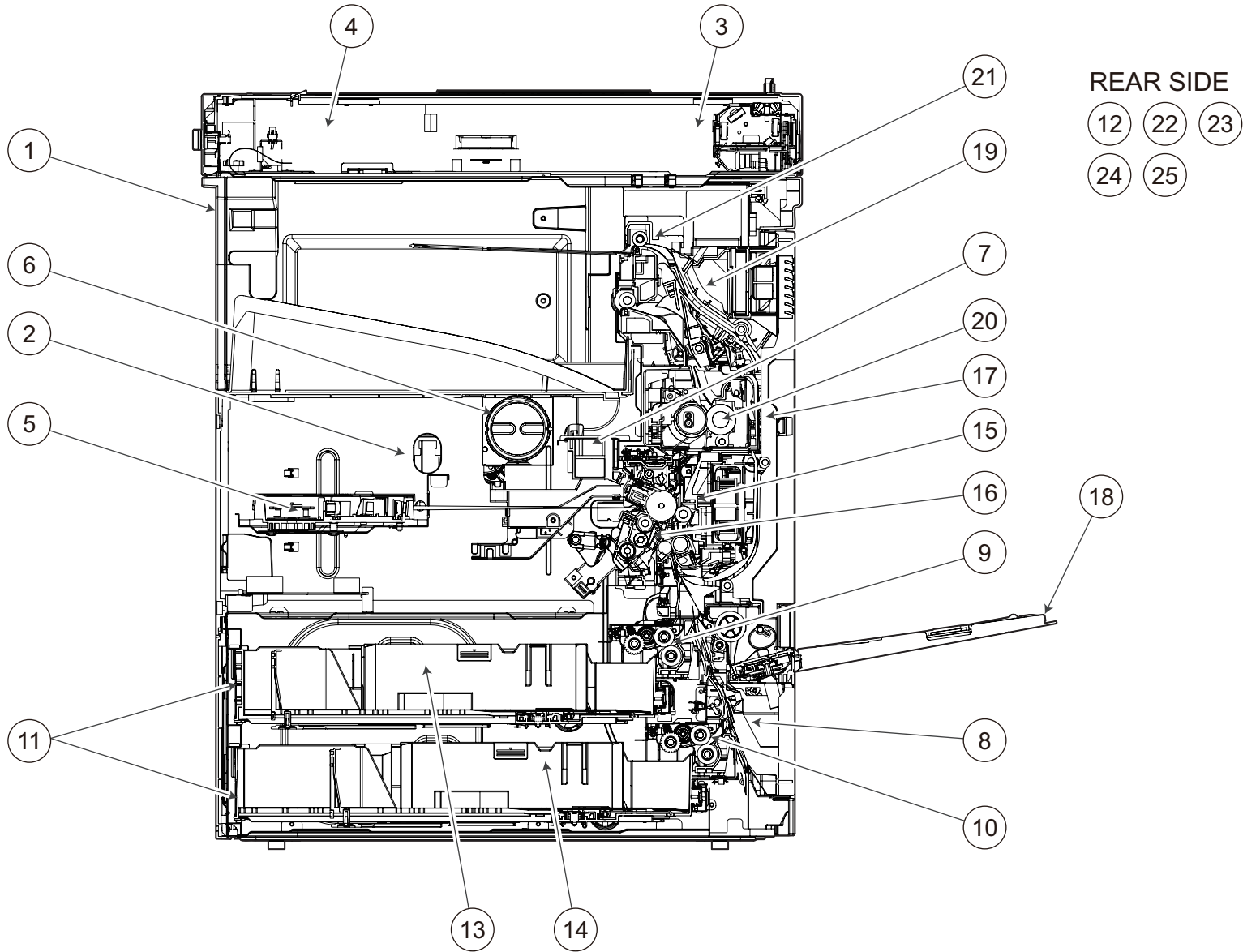


GENERAL CONTENTS

No.	Description	Model
1	Digital MFP B/W	bizhub 227
2	Original Cover	OC-514
3	Document Feeder	DF-628
4	Working Table	WT-506
5	Other Option	KP-101
6	Local IF Kit	EK-608
7	Mount Kit	MK-735
8	Desk	DK-513
9	Paper Feeder	PC-213
10	Paper Feeder	PC-113
11	Paper Feeder	PC-413
12	Finisher/Sorter	FS-534
13	Mount Kit	MK-602
14	Finisher/Sorter	FS-534SD
15	Punch Unit	PK-520
16	Relay Unit	RU-514
17	Punch Unit	PK-519
18	Finisher/Sorter	FS-533
19	Job Separator	JS-506
20	HDD	HD-522
21	Heater	HT-513
22	Other Option	MK-719

No.	Description	Model
23	Local IF Kit	EK-609
24	Fax Kit	FK-513
25	Mount Kit	MK-747
26	Other Option	CU-101

Section Configuration



CONTENTS

No.	DESCRIPTION	名称	PAGE No.
1	EXTERNAL PARTS	外装部	P1 P2
2	INNER COVER SECTION	2次カバー部	P3
3	OPERATION PANEL SECTION	オペレーションパネル部	P4
4	SCANNER SECTION	スキャナー部	P5 P6 P7 P7A
5	PH UNIT/HIGH VOLTAGE SECTION	PH / 高圧電源部	P8
6	TONER SUPPLY SECTION	トナー補給部	P9 P10
7	ERASE LAMP/DV LOCK LEVER SECTION	イレーサーランプ / DV ロックレバー部	P11
8	PAPER FEED SECTION	給紙部	P12
9	1ST PAPER FEED SECTION	1 段目給紙部	P13 P14
10	2ND PAPER FEED SECTION	2 段目給紙部	P15 P16
11	CASSETTE RAIL SECTION	カセットレール部	P17
12	PAPER SIZE DETECTION SECTION	カセットサイズ検出部	P18 P18A
13	1ST CASSETTE SECTION	1 段目カセット部	P19 P20 P20A
14	2ND CASSETTE SECTION	2 段目カセット部	P21 P22 P22A
15	VERTICAL TRANSPORT SECTION	縦搬送部	P23 P24 P24A
16	REGISTRATION SECTION	レジスト部	P25
17	VERTICAL CONVEYANCE DOOR SECTION	縦搬送扉部	P26
18	BYPASS TRAY SECTION	手差しトレイ部	P27 P28 P28A
19	REVERSAL SECTION	反転部	P29 P29A P30
20	FUSING SECTION	定着部	P31
21	PAPER EXIT SECTION	排紙部	P32 P33
22	DRIVE SECTION	駆動部	P34
23	OZONE DUCT SECTION	オゾン排気部	P35
24	MAIN POWER SUPPLY SECTION	低圧電源部	P36
25	ELECTRICAL COMPONENTS	電装部	P37 P38
26	WIRING	束線	P39
27	WIRING ACCESSORIES AND JIGS	配線部品・治具	P40
28	ACCESSORY PARTS	同梱部品	P41

INDEX

Parts No.	Page No.
0978381101	28-4
0978381101	28A-4
0996305501	17-6
1134304301	27-13
1154467001	36-3
1164202801	33-12
1164351501	25-16
1164420204	23-15
4002504202	4-10
4002504202	25-6
4004590301	33-8
4030205301	40-12
4030205401	40-13
4030320601	20A-15
4030320601	20-15
4030320601	22-15
4030320601	22A-15
4030340301	28A-27
4030340301	28-27
4030347501	28A-21
4030347501	28-21
4030420701	23-10
4038101401	3-3
4038218401	29-19
4038353701	25-11
4038353901	25-13
4038541202	34-27
4038M60000	38-8
4128197801	8-12
4128197901	8-13
4136N30000	41-11
4139M10000	35-9
4139M10000	35-19
4139M10000	36-2
4163510201	9-23
4163529301	3-21
4163529301	20-20
4163529301	20A-20
4163529301	22-20
4163529301	22A-20

Parts No.	Page No.
4163529301	29A-30
4163529301	29-30
4163529301	30-1
4163529301	31-8
4163529301	35-11
4475260302	1-7
4556M10000	29A-31
4556M10000	29-31
4576536301	9-29
4581162501	6-10
4658015106	28-19
4658015106	28A-19
56AA40490	1-10
56AA40490	13-13
56AA40490	14-9
56AA40490	15-20
56AA40490	16-6
9313130051	24-19
9313130051	24A-19
9335140051	10-1
9372271022	23-14
9381420021	41-11
9381430031	41-11
9J06M10300	18A-10
9J06M10300	18-10
9J06M60100	3-15
9J06M60100	26-17
A00F623201	27-7
A00J169901	41-1
A00J563600	13-12
A00J563600	14-10
A00J563600	15-19
A00J563600	16-7
A00J663200	13-2
A00J663200	15-5
A00J945500	1-17
A011946200	4-18
A02E149900	2-16
A02E561100	13-11
A02E561100	15-18

Parts No.	Page No.
A02E592100	28-9
A02E596300	27-8
A02E597600	28-23
A02E597600	28A-23
A02E815200	14-17
A02E815200	16-14
A02E815200	24-2
A02E815200	27-26
A02E815200	29-10
A02E815200	29A-10
A02E815200	30-10
A02E940300	11-12
A02EM20200	25-1
A02EM70F00	38-13
A02F897200	33-36
A034M20100	27-18
A0ED135700	38-12
A0ED162401	1-6
A0ED401000	9-17
A0ED563900	14-11
A0ED563900	16-8
A0ED700600	25-14
A0ED702400	24-21
A0ED702400	24A-21
A0ED712100	26-1
A0ED811700	24-9
A0ED811700	29A-4
A0ED815100	30-6
A0ED891100	33-13
A0ED897700	33-17
A0ED940600	9-6
A0ED940700	1-3
A0EDM50100	15-14
A0EDM60001	11-11
A0EDN30002	38-15
A0G6411200	1-7
A0HF952400	5-7
A0P0M73100	3-12
A161101900	17-4
A161115700	11-17

Parts No.	Page No.
A161116100	11-21
A161137100	26-15
A161137600	37-26
A161151200	26-16
A161151300	3-14
A161165602	1-4
A161165700	10-8
A161240400	34-30
A161240600	34-26
A161240700	34-28
A161400401	9-32
A161400601	9-34
A161400800	9-22
A161401000	9-28
A161401100	9-24
A161402403	9-8
A161402502	9-10
A161403101	9-30
A161403701	9-3
A161403800	9-9
A161403901	9-5
A161404001	9-2
A161404100	9-4
A161404200	9-33
A161591000	28A-29
A161591000	28-29
A161591100	28-28
A161591100	28A-28
A161591600	28A-16
A161591600	28-16
A161592200	28-7
A161592200	28A-7
A161592600	28A-35
A161593300	27-10
A161593800	28-10
A161593800	28A-10
A161594201	28A-14
A161594201	28-14
A161594300	28A-33
A161594300	28-33

Parts No.	Page No.
A161594400	27-6
A161595100	28-15
A161595100	28A-15
A161595300	28-26
A161595300	28A-26
A161595600	28A-17
A161595600	28-17
A161620701	20A-12
A161620701	20-12
A161620701	22-12
A161620701	22A-12
A161623400	19-14
A161623400	21-14
A161624100	20A-5
A161624100	20-5
A161624100	22A-5
A161624100	22-5
A161626602	19-7
A161626602	21-7
A161626800	19-6
A161626800	21-6
A161701100	25-25
A161711300	24-7
A161711500	24-12
A161712800	30-3
A161714600	24-17
A161813100	30-20
A161813200	30-4
A161813400	30-12
A161813600	30-5
A161813600	30-25
A161814500	30-9
A161814700	29A-8
A161814700	29-8
A161815300	26-21
A161815400	26-19
A161815800	26-24
A161815900	26-8
A161819400	30-8
A161819500	30-22

Parts No.	Page No.	Parts No.	Page No.	Parts No.	Page No.	Parts No.	Page No.	Parts No.	Page No.
A161825700	24-3	A4EU138000	37-20	A795622500	20A-19	A7AH116200	3-8	A7AH138500	3-16
A161825700	29-11	A5C1134111	37-22	A795622500	22A-19	A7AH116211	3-8	A7AH138511	3-16
A161825700	29A-11	A5C1134200	37-19	A795622600	20A-17	A7AH116300	11-20	A7AH138700	3-17
A161826001	14-19	A5C1404500	3-20	A795622600	22A-17	A7AH116500	11-22	A7AH138800	3-18
A161826001	33-39	A5C1404600	9-36	A795622700	20A-18	A7AH116511	11-22	A7AH139000	4-2
A161891000	33-22	A5C1562200	13-14	A795622700	22A-18	A7AH116900	11-19	A7AH139101	35-6
A161892400	33-10	A5C1562200	15-21	A797603000	27-2	A7AH120102	17-8	A7AH139301	37-8
A161894000	32-3	A5C1F42000	9-31	A797603200	28A-12	A7AH121301	17-9	A7AH139401	4-12
A161894000	33-1	A5C1M50100	6-4	A797603301	28A-1	A7AH130101	37-10	A7AH139412	4-12
A161894100	32-2	A5C1M50100	7A-13	A797603401	28A-3	A7AH130300	37-4	A7AH139600	4-16
A161897200	32-6	A5C1M50100	7-13	A797603701	28A-8	A7AH130401	37-21	A7AH139700	11-16
A161943000	20-9	A5C1M50100	9-20	A797893000	33-9	A7AH130600	37-2	A7AH139900	11-10
A161943000	20A-9	A5C1M50100	10-2	A797943000	2-19	A7AH131000	37-31	A7AH141100	36-4
A161943000	22A-9	A5C1M50100	13-24	A797944100	28A-42	A7AH131300	37-18	A7AH141201	37-9
A161943000	22-9	A5C1M50100	14-7	A797944200	28A-42	A7AH131300	37-30	A7AH141300	36-1
A161943000	28A-43	A5C1M50100	15-12	A797M60100	18-11	A7AH131500	31-9	A7AH141400	2-9
A161943700	20A-41	A5C1M50100	24A-6	A797M70002	4-5	A7AH131600	31-10	A7AH141411	2-9
A161943700	22A-41	A5C1M50100	24-6	A797M70102	4-5	A7AH131700	31-11	A7AH142100	11-7
A161M10300	7A-19	A5C1M50100	25-22	A797M70202	4-5	A7AH131800	31-12	A7AH142300	11-1
A161M10300	7-19	A5C1M50100	28-24	A797M70302	4-5	A7AH132101	38-9	A7AH142700	11-6
A161M50400	28A-31	A5C1M50100	28A-24	A7AH101105	35-5	A7AH132200	38-4	A7AH142800	11-4
A161M50400	28-31	A5C1M50100	30-11	A7AH101201	35-7	A7AH132300	38-5	A7AH142900	11-3
A161N15J00	37-25	A5C1M72H00	37-23	A7AH101212	35-7	A7AH132400	38-7	A7AH145100	35-3
A1UD104500	8-1	A5C1N30000	38-11	A7AH101600	17-1	A7AH132600	38-3	A7AH145201	35-10
A1UD721500	33-18	A61DM10200	34-34	A7AH101900	17-3	A7AH132702	38-9	A7AH145401	29-29
A1UD721500	33-43	A64J815500	26-20	A7AH102000	17-2	A7AH132801	38-1	A7AH145401	29A-29
A1UD722700	33-29	A795565500	20A-35	A7AH102100	1-13	A7AH132900	38-6	A7AH146100	35-14
A1UD722700	33-44	A795565500	22A-35	A7AH102200	1-11	A7AH133101	31-4	A7AH146301	35-15
A1UD947400	41-10	A795565700	20A-32	A7AH102300	17-5	A7AH133201	31-3	A7AH146312	35-15
A1UDM30900	11-5	A795565700	22A-32	A7AH102500	31-14	A7AH133300	12-4	A7AH146800	35-13
A1UDN30200	41-11	A795565800	20A-33	A7AH103000	17-7	A7AH134200	8-10	A7AH147100	35-8
A2UPN30100	41-11	A795565800	22A-33	A7AH112102	11-13	A7AH134500	31-2	A7AH160102	1-1
A2UPN30300	41-11	A795565900	20A-31	A7AH112300	11-9	A7AH134600	4-1	A7AH160202	1-9
A2UPN30601	41-11	A795565900	22A-31	A7AH112500	3-5	A7AH134700	34-35	A7AH160300	1-9
A2X0945701	2-10	A795566000	20A-40	A7AH112600	3-1	A7AH134800	1-12	A7AH160505	2-7
A2XN374800	10-9	A795566000	22A-40	A7AH112800	3-7	A7AH135000	2-18	A7AH160601	1-16
A3EW944600	5-10	A795620800	20A-10	A7AH112900	3-4	A7AH135100	35-4	A7AH160700	1-14
A49FM90100	37-14	A795620800	22A-10	A7AH113000	3-6	A7AH135202	3-11	A7AH160802	1-15
A4EU138000	7-16	A795621301	20A-6	A7AH115101	35-1	A7AH135302	3-11	A7AH161003	1-2
A4EU138000	7A-16	A795621301	22A-6	A7AH116100	11-18	A7AH136301	11-8	A7AH161300	1-7

Parts No.	Page No.	Parts No.	Page No.	Parts No.	Page No.	Parts No.	Page No.	Parts No.	Page No.
A7AH161400	4-17	A7AH214300	34-24	A7AH266300	5-6	A7AH406000	9-15	A7AH564401	16-12
A7AH161501	4-11	A7AH214701	34-4	A7AH266506	5-8	A7AH406201	9-26	A7AH565000	14-12
A7AH161602	4-14	A7AH214800	34-3	A7AH266601	5-9	A7AH406300	9-18	A7AH565000	16-9
A7AH161614	4-14	A7AH215101	34-5	A7AH266800	5-3	A7AH560101	13-6	A7AH565100	13-3
A7AH161700	4-13	A7AH215400	34-2	A7AH266800	41-4	A7AH560112	13-6	A7AH565301	13-5
A7AH161801	4-8	A7AH216500	34-19	A7AH267000	5-2	A7AH560201	13-22	A7AH565301	15-11
A7AH161900	4-7	A7AH217002	34-31	A7AH267201	5-5	A7AH560212	13-22	A7AH565702	13-7
A7AH162001	4-6	A7AH217100	34-29	A7AH280400	7-21	A7AH560500	13-9	A7AH565702	15-15
A7AH162100	4-4	A7AH218100	10-3	A7AH280400	7A-21	A7AH560500	15-16	A7AH566001	13-4
A7AH162300	1-8	A7AH218300	10-4	A7AH280500	7-12	A7AH560700	14-4	A7AH568402	14-2
A7AH162400	2-5	A7AH218400	10-6	A7AH280500	7A-12	A7AH560800	14-3	A7AH568414	14-2
A7AH162500	1-5	A7AH218500	10-7	A7AH280700	7A-11	A7AH561300	14-16	A7AH568500	14-5
A7AH162700	32-4	A7AH218702	10-5	A7AH280700	7-11	A7AH561300	16-13	A7AH568500	16-3
A7AH162802	2-2	A7AH261700	7A-10	A7AH280800	7A-18	A7AH561601	13-8	A7AH568600	14-8
A7AH162902	2-3	A7AH261700	7-10	A7AH280800	7-18	A7AH561601	15-30	A7AH568700	16-5
A7AH163001	2-6	A7AH261802	7-9	A7AH280900	7-22	A7AH562100	13-20	A7AH568800	12-2
A7AH163201	41-2	A7AH261813	7-9	A7AH280900	7A-22	A7AH562100	15-26	A7AH568900	12-1
A7AH163301	2-8	A7AH261813	7-9	A7AH281300	7-14	A7AH562300	13-16	A7AH569500	13-23
A7AH163403	2-12	A7AH261902	7-20	A7AH281300	7A-14	A7AH562300	15-23	A7AH569500	15-28
A7AH164500	3-9	A7AH261902	7A-20	A7AH281600	7-15	A7AH562400	13-10	A7AH570100	14-18
A7AH164600	2-1	A7AH262101	7-5	A7AH281600	7A-15	A7AH562400	15-17	A7AH570200	14-20
A7AH164701	2-11	A7AH262101	7-5	A7AH281701	6-6	A7AH562600	13-15	A7AH571100	15-13
A7AH164800	2-15	A7AH262501	6-12	A7AH281800	7A-17	A7AH562600	15-22	A7AH578100	15-7
A7AH165003	3-2	A7AH262700	7-23	A7AH281800	7-17	A7AH562801	13-19	A7AH578200	15-10
A7AH165100	3-20	A7AH262700	7-23	A7AH285102	6-1	A7AH562801	15-31	A7AH578401	16-2
A7AH165201	10-11	A7AH262900	7-4	A7AH285400	6-2	A7AH562900	13-18	A7AH578413	16-2
A7AH166602	4-9	A7AH262911	7-4	A7AH285502	6-3	A7AH562900	15-25	A7AH578600	15-9
A7AH166700	41-3	A7AH262911	7-4	A7AH362700	10-10	A7AH563101	14-13	A7AH578800	15-8
A7AH167001	2-4	A7AH263000	7-25	A7AH400100	9-14	A7AH563101	16-10	A7AH579101	15-6
A7AH169900	1-20	A7AH263100	7-26	A7AH400700	9-19	A7AH563400	13-17	A7AH579300	15-29
A7AH211700	34-23	A7AH263600	6-14	A7AH401300	9-25	A7AH563400	15-24	A7AH600102	28-8
A7AH212000	34-25	A7AH263700	7-9	A7AH402000	9-1	A7AH563700	15-1	A7AH600203	28-36
A7AH212100	34-22	A7AH263700	7A-9	A7AH402100	9-11	A7AH563800	15-3	A7AH600300	27-4
A7AH212200	34-21	A7AH263800	7-4	A7AH403201	9-16	A7AH563902	14-1	A7AH600400	27-2
A7AH212300	34-20	A7AH263800	7A-26	A7AH403300	9-12	A7AH563902	16-1	A7AH600504	27-11
A7AH212600	34-18	A7AH263900	7-5	A7AH403500	9-13	A7AH563914	14-1	A7AH600601	28A-18
A7AH212800	34-16	A7AH263900	7A-5	A7AH404300	9-21	A7AH563914	16-1	A7AH600601	28-18
A7AH213000	34-17	A7AH264000	7-23	A7AH405100	9-1	A7AH564112	14-14	A7AH600700	26-10
A7AH213500	34-13	A7AH264000	7A-23	A7AH405200	9-1	A7AH564112	16-11	A7AH600801	27-20
A7AH213902	34-15	A7AH266203	5-1	A7AH405300	9-1	A7AH564401	14-15	A7AH601100	27-5


Parts No.	Page No.	Parts No.	Page No.	Parts No.	Page No.	Parts No.	Page No.	Parts No.	Page No.
A7AH601202	28A-30	A7AH620500	22A-27	A7AH622100	22-3	A7AH624600	22A-1	A7AH700901	24-16
A7AH601202	28-30	A7AH620601	20-19	A7AH622201	20A-25	A7AH625101	19-10	A7AH701000	24-11
A7AH601300	28-20	A7AH620601	22-19	A7AH622201	20-25	A7AH625200	21-10	A7AH701100	24-14
A7AH601300	28A-20	A7AH620801	20-10	A7AH622201	22A-25	A7AH626901	19-9	A7AH701700	25-26
A7AH601400	28-22	A7AH620801	22-10	A7AH622201	22-25	A7AH626901	21-9	A7AH701901	23-13
A7AH601400	28A-22	A7AH620902	20-4	A7AH622401	20A-13	A7AH627000	20A-24	A7AH702002	25-20
A7AH601700	28-12	A7AH620902	22-4	A7AH622401	20-13	A7AH627000	20-24	A7AH702101	25-28
A7AH601901	28-3	A7AH620913	20-4	A7AH622401	22-13	A7AH627000	22-24	A7AH702200	25-17
A7AH602001	28-5	A7AH620913	20A-4	A7AH622401	22A-13	A7AH627000	22A-24	A7AH703001	25-8
A7AH602200	27-15	A7AH620913	22-4	A7AH622600	20A-29	A7AH627400	18A-8	A7AH703101	25-12
A7AH602701	27-9	A7AH620913	22A-4	A7AH622600	20-29	A7AH627501	18A-1	A7AH703201	25-2
A7AH603000	27-14	A7AH621000	20-7	A7AH622600	22A-29	A7AH627600	18A-7	A7AH703301	25-3
A7AH603100	27-22	A7AH621000	20A-7	A7AH622600	22-29	A7AH627701	18A-2	A7AH703401	23-11
A7AH603200	27-23	A7AH621000	22A-7	A7AH622700	20A-30	A7AH627800	18A-4	A7AH703500	23-20
A7AH603300	28-11	A7AH621000	22-7	A7AH622700	20-30	A7AH627900	18A-3	A7AH703600	23-6
A7AH603300	28A-11	A7AH621200	20A-8	A7AH622700	22A-30	A7AH628200	20A-11	A7AH704101	25-19
A7AH603400	28A-34	A7AH621200	20-8	A7AH622700	22-30	A7AH628200	20-11	A7AH704201	34-7
A7AH603400	28-34	A7AH621200	22A-8	A7AH622901	19-3	A7AH628200	22A-11	A7AH704400	23-5
A7AH604101	27-16	A7AH621200	22-8	A7AH622901	21-3	A7AH628200	22-11	A7AH704500	23-4
A7AH604204	28-13	A7AH621300	20-6	A7AH623201	19-15	A7AH629600	20-14	A7AH704601	34-11
A7AH604204	28A-13	A7AH621300	22-6	A7AH623201	21-15	A7AH629600	20A-14	A7AH704701	34-12
A7AH604300	27-17	A7AH621401	20A-21	A7AH623400	19-4	A7AH629600	22-14	A7AH704900	34-6
A7AH604401	28A-6	A7AH621401	20-21	A7AH623400	21-4	A7AH629600	22A-14	A7AH705002	29-4
A7AH604401	28-6	A7AH621401	22-21	A7AH623501	20-18	A7AH629901	19-2	A7AH705100	29-7
A7AH604501	28-2	A7AH621401	22A-21	A7AH623501	22-18	A7AH629901	21-2	A7AH705201	26-2
A7AH604501	28A-2	A7AH621502	20-26	A7AH623602	20A-2	A7AH630104	21-13	A7AH705301	26-4
A7AH604700	27-25	A7AH621502	22-26	A7AH623602	20-2	A7AH630200	21-13	A7AH705401	26-9
A7AH604900	27-21	A7AH621601	20-1	A7AH623602	22-2	A7AH635000	20A-34	A7AH705502	26-18
A7AH605100	27-12	A7AH621601	22-1	A7AH623602	22A-2	A7AH635000	22A-34	A7AH705600	29-3
A7AH606100	28A-39	A7AH621612	20-1	A7AH623700	20A-28	A7AH635100	20A-36	A7AH705611	29-3
A7AH606400	28A-32	A7AH621612	22-1	A7AH623700	20-28	A7AH635100	22A-36	A7AH705623	29-3
A7AH606600	28A-36	A7AH621701	20-17	A7AH623700	22-28	A7AH635200	20A-39	A7AH705623	29A-3
A7AH606700	28A-9	A7AH621701	22-17	A7AH623700	22A-28	A7AH635200	22A-39	A7AH705700	26-6
A7AH620105	19-13	A7AH621801	20-22	A7AH624100	19-5	A7AH635300	20A-38	A7AH705800	26-23
A7AH620200	19-13	A7AH621801	20A-22	A7AH624200	21-5	A7AH635300	22A-38	A7AH705900	26-25
A7AH620400	20-23	A7AH621801	22-22	A7AH624300	19-11	A7AH635400	20A-37	A7AH706000	26-5
A7AH620400	20A-23	A7AH621801	22A-22	A7AH624300	21-11	A7AH635400	22A-37	A7AH706101	26-26
A7AH620400	22A-23	A7AH622100	20-3	A7AH624500	20A-26	A7AH700101	23-21	A7AH706201	26-14
A7AH620400	22-23	A7AH622100	20A-3	A7AH624500	22A-26	A7AH700401	23-7	A7AH706300	26-11
A7AH620500	20A-27	A7AH622100	22A-3	A7AH624600	20A-1	A7AH700500	23-8	A7AH706400	26-12

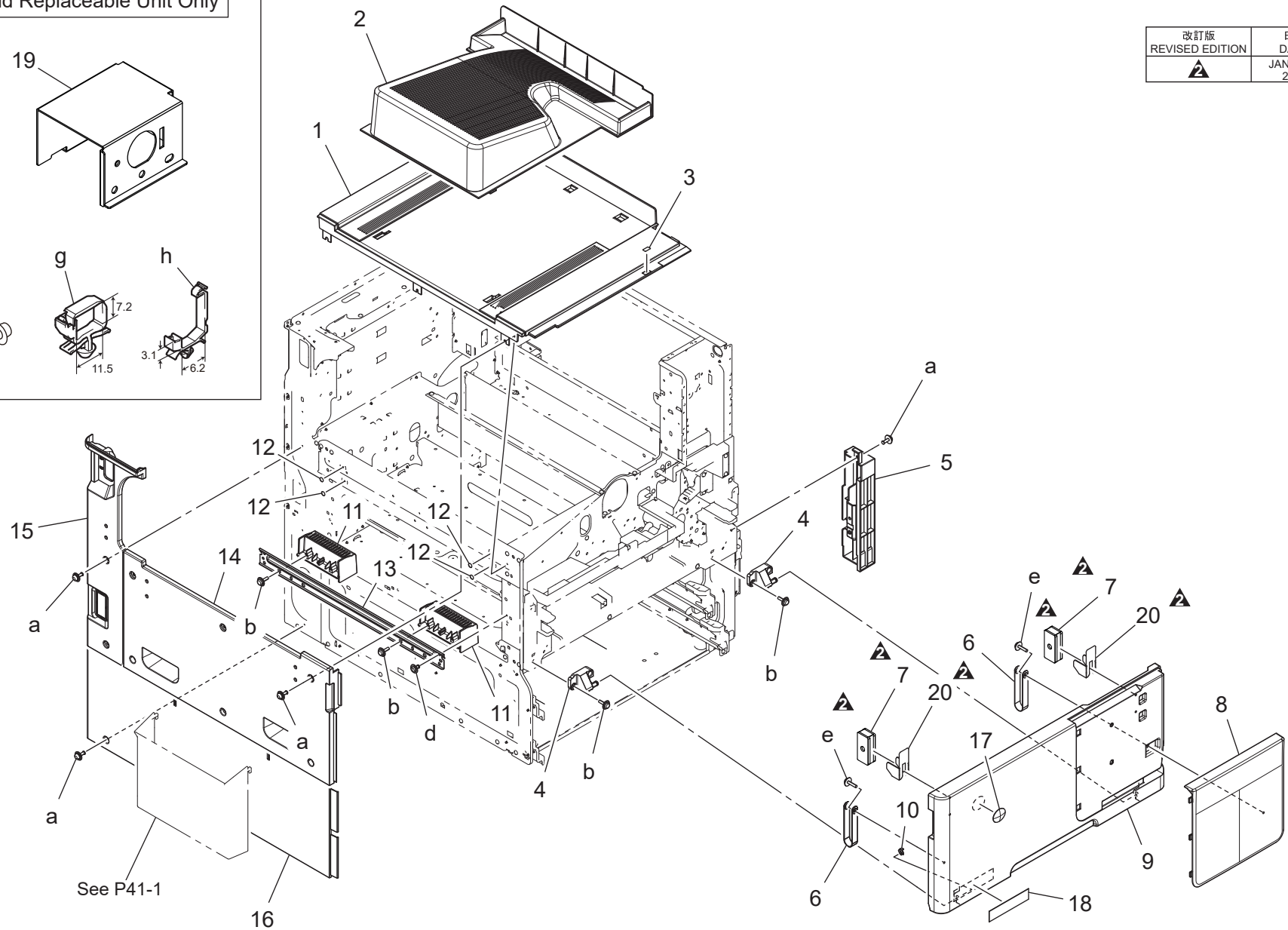
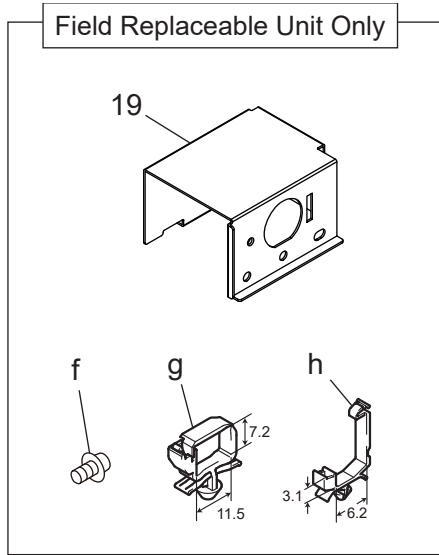
Parts No.	Page No.	Parts No.	Page No.	Parts No.	Page No.	Parts No.	Page No.	Parts No.	Page No.
A7AH706500	26-7	A7AH813500	24A-9	A7AH817700	23-16	A7AH892200	33-21	A7AH947600	41-7
A7AH706600	26-22	A7AH813500	24-15	A7AH818000	24-23	A7AH892300	29A-32	A7AH955500	41-14
A7AH706700	26-3	A7AH813600	29A-13	A7AH818000	24A-23	A7AH892300	29-32	A7AHH00C00	37-12
A7AH706902	25-4	A7AH813600	29-13	A7AH818100	24-22	A7AH892300	33-28	A7AHH00R00	7A-4
A7AH707101	34-9	A7AH814000	29-12	A7AH818100	24A-22	A7AH893000	30-19	A7AHH00R00	7-28
A7AH707201	34-8	A7AH814011	29-12	A7AH818200	24-24	A7AH893102	30-14	A7AHH0200A	37-5
A7AH707300	25-24	A7AH814011	29A-12	A7AH818200	24A-24	A7AH893301	30-18	A7AHH0201D	37-5
A7AH707403	25-18	A7AH814100	29-26	A7AH818300	24A-18	A7AH893302	30-18	A7AHH02S02	37-27
A7AH707500	25-15	A7AH814100	29A-26	A7AH818300	24-38	A7AH893400	30-16	A7AHM10400	9-27
A7AH707600	23-9	A7AH814300	29A-23	A7AH818500	24-40	A7AH894000	30-21	A7AHM10400	34-33
A7AH707700	23-2	A7AH814300	29-23	A7AH819000	24A-17	A7AH894001	30-21	A7AHM10700	29A-27
A7AH708100	25-23	A7AH814400	29A-22	A7AH819000	24-25	A7AH895601	33-6	A7AHM10700	29-27
A7AH708200	23-3	A7AH814400	29-22	A7AH819100	24-20	A7AH941001	19-12	A7AHM10700	32-7
A7AH708500	23-22	A7AH814500	29-21	A7AH819100	24A-20	A7AH941001	21-12	A7AHM20401	15-4
A7AH708600	25-9	A7AH814600	29-16	A7AH819200	24A-16	A7AH941100	19-8	A7AHM20401	27-19
A7AH708700	25-10	A7AH814700	29-15	A7AH819200	24-26	A7AH941200	21-8	A7AHM20501	13-1
A7AH708800	23-12	A7AH814901	29-14	A7AH819400	30-23	A7AH941300	20A-16	A7AHM20501	15-2
A7AH708900	25-5	A7AH814901	29A-14	A7AH819502	24A-11	A7AH941300	20-16	A7AHM40600	8-9
A7AH709000	29-6	A7AH815100	29-34	A7AH819502	24-31	A7AH941300	22A-16	A7AHM50100	6-5
A7AH709100	29A-33	A7AH815200	29A-25	A7AH819700	33-41	A7AH941300	22-16	A7AHM50100	6-13
A7AH709100	29-36	A7AH815200	29-35	A7AH819900	33-42	A7AH942000	41-8	A7AHM50400	3-10
A7AH709200	25-29	A7AH815500	29-25	A7AH890102	33-38	A7AH942100	41-9	A7AHM60100	18A-5
A7AH709900	23-24	A7AH815601	29-17	A7AH890200	33-31	A7AH943000	29A-5	A7AHM60200	31-13
A7AH729501	41-15	A7AH815700	29-24	A7AH890300	33-2	A7AH943000	29-5	A7AHM90000	7-8
A7AH810102	33-15	A7AH816002	24-5	A7AH890402	33-27	A7AH943100	28-1	A7AHM90000	7A-8
A7AH810201	32-1	A7AH816013	24-5	A7AH890501	33-32	A7AH943200	28-1	A7AHM90100	7-7
A7AH811100	33-7	A7AH816100	24-35	A7AH890700	33-25	A7AH943400	20A-43	A7AHM90100	7A-7
A7AH811200	32-5	A7AH816200	24-34	A7AH890800	33-23	A7AH943400	22A-43	A7AHM90100	7-7
A7AH811300	33-11	A7AH816300	23-19	A7AH890900	33-26	A7AH943500	20A-42	A7AHM90200	7-24
A7AH811500	33-14	A7AH816400	24-36	A7AH891000	33-5	A7AH943500	22A-42	A7AHM90200	7A-24
A7AH812002	33-20	A7AH816500	24-4	A7AH891100	30-15	A7AH943600	22A-44	A7AHM92000	2-13
A7AH812800	24A-7	A7AH816604	24-28	A7AH891200	33-33	A7AH943701	28A-25	A7AHM92100	2-14
A7AH812800	24-33	A7AH816615	24-28	A7AH891300	33-37	A7AH944000	24-13	A7AHN10001	38-16
A7AH812901	24-18	A7AH816701	23-17	A7AH891400	33-35	A7AH944100	24-8	A7AHN10101	38-14
A7AH813001	30-2	A7AH817000	23-18	A7AH891500	33-16	A7AH944100	24A-8	A7AHN10201	38-10
A7AH813102	29-28	A7AH817101	24A-15	A7AH891700	33-34	A7AH944200	29A-9	A7AHN10401	31-1
A7AH813102	29A-28	A7AH817101	24-27	A7AH891800	33-19	A7AH944200	29-9	A7AHN10500	8-5
A7AH813200	29-1	A7AH817200	24-37	A7AH891901	33-4	A7AH946200	9-7	A7AHN10600	8-8
A7AH813200	29A-1	A7AH817301	24-10	A7AH892000	33-3	A7AH947201	41-7	A7AHN10700	8-14
A7AH813300	30-13	A7AH817301	29A-24	A7AH892101	33-30	A7AH947301	41-12	A7AHN10800	8-4

Parts No.	Page No.	Parts No.	Page No.	Parts No.	Page No.	Parts No.	Page No.	Parts No.	Page No.
A7AHN10902	37-7	A7AHP00400	5-11	A7AHPP8700	30-13	A7AHR71100	9-35	A891R70100	8-11
A7AHN11102	39-1	A7AHP00500	5-12	A7AHPP8800	29A-18	A7AHR71200	9-35	A90G169900	41-1
A7AHN11301	11-23	A7AHP00600	28-37	A7AHPP8900	29A-19	A7AHR71300	12-3	V116030804	41-5
A7AHN11401	11-15	A7AHP00600	28A-47	A7AHPP9000	23-19	A7AHR71600	27-1	V500010081	40-1
A7AHN11802	30-17	A7AHP01100	4-19	A7AHPP9100	23-17	A7AHR71700	28-35	V500010083	40-2
A7AHN11901	28-25	A7AHP02000	1-19	A7AHPP9200	24A-14	A7AHR71800	29A-2	V500010084	40-3
A7AHN12100	13-21	A7AHPP3200	36-5	A7AHPP9300	24A-10	A7AHR71800	29-2	V500010085	40-4
A7AHN12200	18-7	A7AHPP3200	36-5	A7AHPP9400	24A-5	A7AHR71900	23-1	V500020052	40-14
A7AHN12200	18A-9	A7AHPP3300	36-5	A7AHPP9500	29A-20	A7AHR71900	23-1	V500020098	40-5
A7AHN12400	25-21	A7AHPP3400	19-1	A7AHPP9600	29A-21	A7AHR72000	24A-1	V500020099	40-6
A7AHN12800	6-11	A7AHPP3400	19-1	A7AHPP9700	33-38	A7AHR72000	24-1	V500020100	40-7
A7AHN12S00	7A-6	A7AHPP3500	21-1	A7AHPP9800	33-31	A7AHR72100	25-27	V500020108	40-8
A7AHN12S00	7-29	A7AHPP3500	21-1	A7AHPP9900	33-30	A7AHR72211	31-5	V502010036	37-1
A7AHN12T00	7A-25	A7AHPP3600	27-1	A7AHPPA000	30-19	A7AHR72311	31-5	V502010043	8-7
A7AHN12T00	7-30	A7AHPP3700	23-1	A7AHPPA100	33-28	A7AHR72411	31-5	V503010002	37-17
A7AHN12V02	7-6	A7AHPP3800	31-5	A7AHPPA200	32-3	A7AHR72500	33-24	V503010002	37-29
A7AHN12V14	7-6	A7AHPP3900	31-5	A7AHPPA200	33-1	A7AHR72600	35-12	V570010021	40-9
A7AHN12W00	6-7	A7AHPP4000	31-5	A7AHPPA300	30-14	A7AHR72711	27-24	V570010057	40-10
A7AHN12Y02	7A-2	A7AHPP4100	32-8	A7AHPPA400	11-20	A7AHR72800	18A-6	V570010060	40-11
A7AHN12Y02	7-2	A7AHPP4400	38-4	A7AHPPA400	11-20	A7AHR72900	25-7	V651010045	35-17
A7AHN13000	24A-13	A7AHPP4500	37-13	A7AHPPB300	35-2	A7AHR73100	7-27	V800500300	23-23
A7AHN13000	24-29	A7AHPP4600	37-32	A7AHPPB300	35-2	A7AHR73700	32-8	V800500300	25-32
A7AHN13100	15-27	A7AHPP4700	35-18	A7AHPPB500	6-9	A7AHR73800	5-4		
A7AHN13200	28-32	A7AHPP6200	1-14	A7AHPPB600	25-12	A7AHR73900	7-31		
A7AHN13700	3-19	A7AHPP6400	32-4	A7AHPPB700	25-31	A7AK940100	1-18		
A7AHN13800	8-6	A7AHPP6800	28A-40	A7AHPPB800	29A-6	A7PU169700	41-16		
A7AHN13900	8-15	A7AHPP6900	28A-5	A7AHPPB900	30-24	A7PU593500	28A-38		
A7AHN14300	38-2	A7AHPP7000	23-2	A7AHPPC300	28A-45	A7PU941701	2-17		
A7AHN15100	37-24	A7AHPP7100	23-21	A7AHPPC400	28A-44	A7PU944500	28A-41		
A7AHN15301	4-15	A7AHPP7200	25-18	A7AHPPC700	28A-46	A7PU944600	29-37		
A7AHN15600	4-3	A7AHPP7300	25-17	A7AHR70000	8-3	A7PUF60000	28A-37		
A7AHN15A00	37-16	A7AHPP7400	24A-3	A7AHR70100	8-2	A7PUM92600	2-20		
A7AHN15A00	37-28	A7AHPP7500	24A-2	A7AHR70200	34-32	A7XW0Y1	41-6		
A7AHN16400	31-7	A7AHPP7600	24A-4	A7AHR70300	11-14	A7XW0Y1	41-6		
A7AHN30000	41-11	A7AHPP7700	29A-34	A7AHR70500	36-5	A7XWWWY2	41-6		
A7AHP00100	19-16	A7AHPP7800	24A-12	A7AHR70600	36-5	A890R70033	7-1		
A7AHP00100	21-16	A7AHPP7900	29A-7	A7AHR70700	34-1	A890R70211	7-3		
A7AHP00200	19-17	A7AHPP8000	29A-15	A7AHR70833	5-4	A890R70300	7A-1		
A7AHP00200	21-17	A7AHPP8100	29A-16	A7AHR70900	9-35	A890R70400	7A-3		
A7AHP00300	21-18	A7AHPP8200	29A-17	A7AHR71000	9-35	A891R70000	8-11		

EXTERNAL PARTS

P 1

改訂版 REVISED EDITION	日付 DATE
	JANUARY 2018



EXTERNAL PARTS

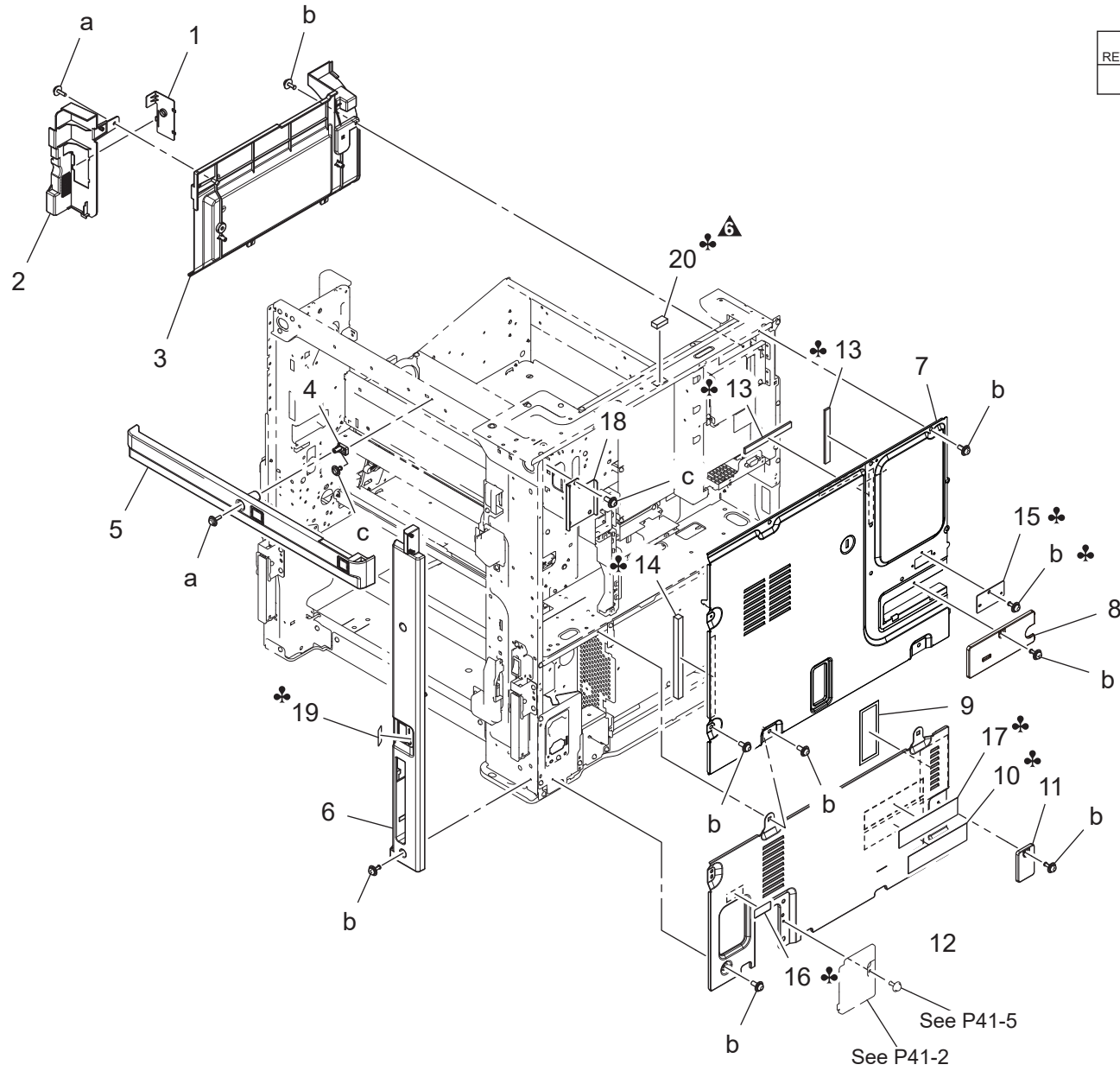
Key	Part No.	Description	Destinations	Class	QTY	Standard parts
1	A7AH160102	Cover /Upper		C	1	a-V116030804 b-V153030803 d-V144030603 e-V153031003 f-V127030603 g-V500010082 h-V500020099
2	A7AH161003	Tray		C	1	
3	A0ED940700	Label Toner 2		D	1	
4	A161165602	Support Shaft		C	2	
5	A7AH162500	Cover Plate /Right front		C	1	
6	A0ED162401	Band		D	2	
7	4475260302Old	MAGNET CATCH		D	2	
7	A0G6411200Old	Magnet /X		D	2	
7	A7AH161300	MAGNET		D	2	
8	A7AH162300	Open/close Cover /Right		C	1	
9	A7AH160202Old	Open/close Cover /Front		C	1	
9	A7AH160300	Open/close Cover /Front		C	1	
10	56AA40490	SHAFT STOPPER 4		C	1	
11	A7AH102200	Handle /Left		D	2	
12	A7AH134800	Seal		C	4	
13	A7AH102100	Mounting Plate		D	1	
14	A7AH160700	Cover /Left	(Except Refresh Model)	C	1	
14	A7AHPP6200	Cover Plate /Upper	(Refresh Model)	C	1	
15	A7AH160802	Cover /Left		C	1	
16	A7AH160601	Holder		C	1	
17	A00J945500	Logo Mark		C	1	
18	A7AK940100	Label bizhub 227		C	1	
19	A7AHP02000	Mounting Plate		D	1	
20	A7AH169900	Spacer		D	2	

EXTERNAL PARTS

P 2

改訂版 REVISED EDITION	日付 DATE
	NOVEMBER 2017

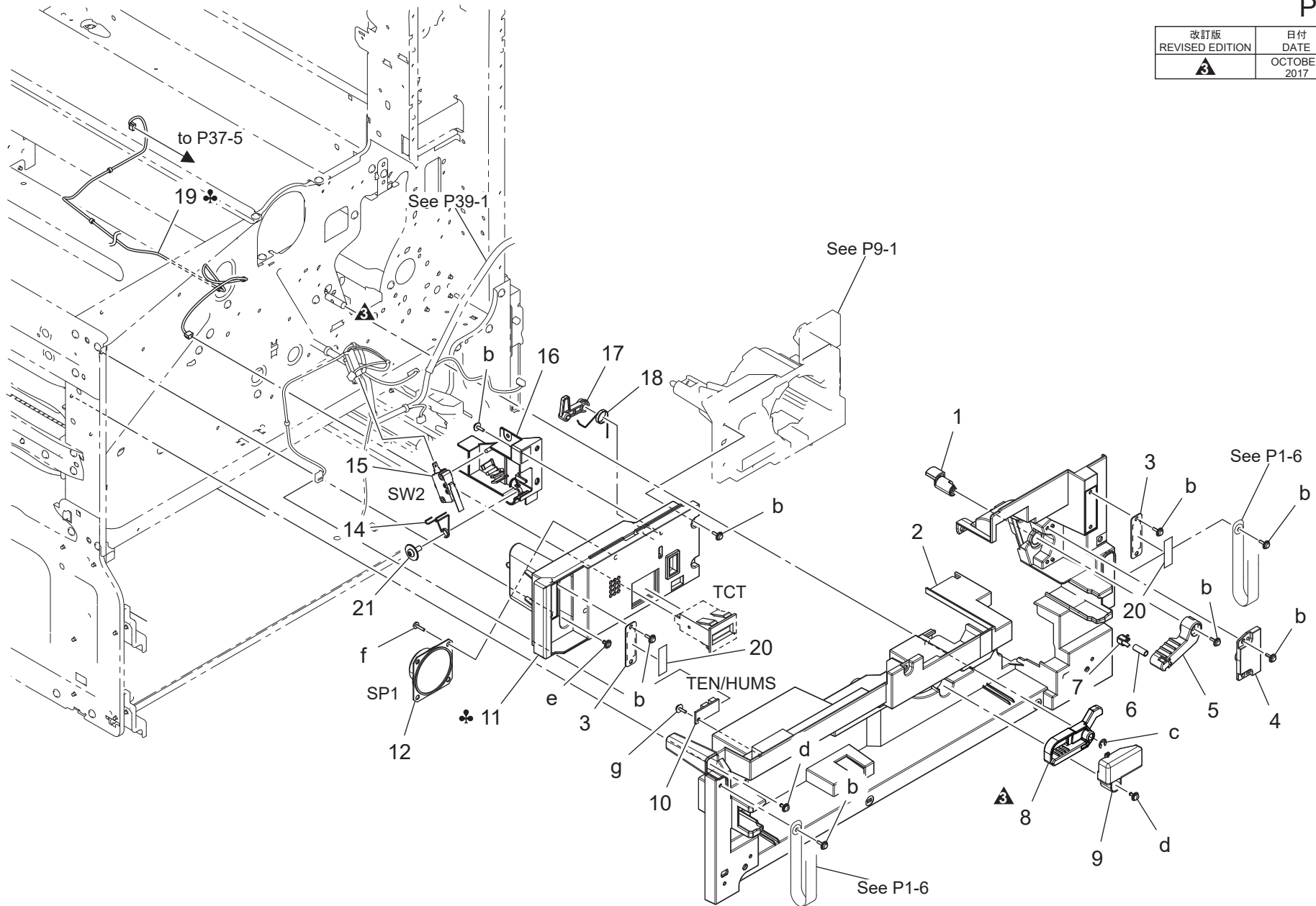
FRONT



INNER COVER SECTION

P 3

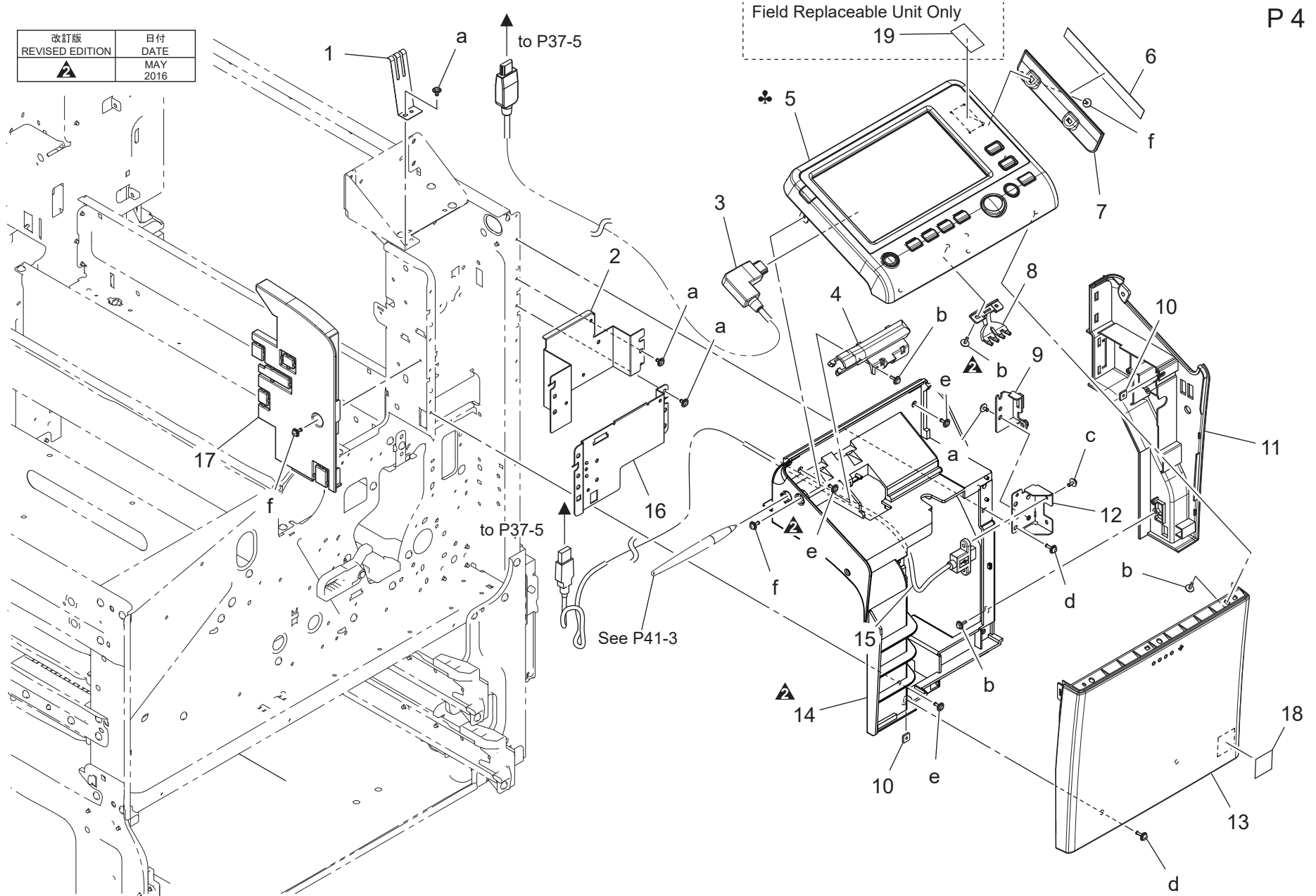
改訂版 REVISED EDITION	日付 DATE
	OCTOBER 2017



OPERATION PANEL SECTION

改訂版 REVISED EDITION	日付 DATE
	MAY 2016


P 4

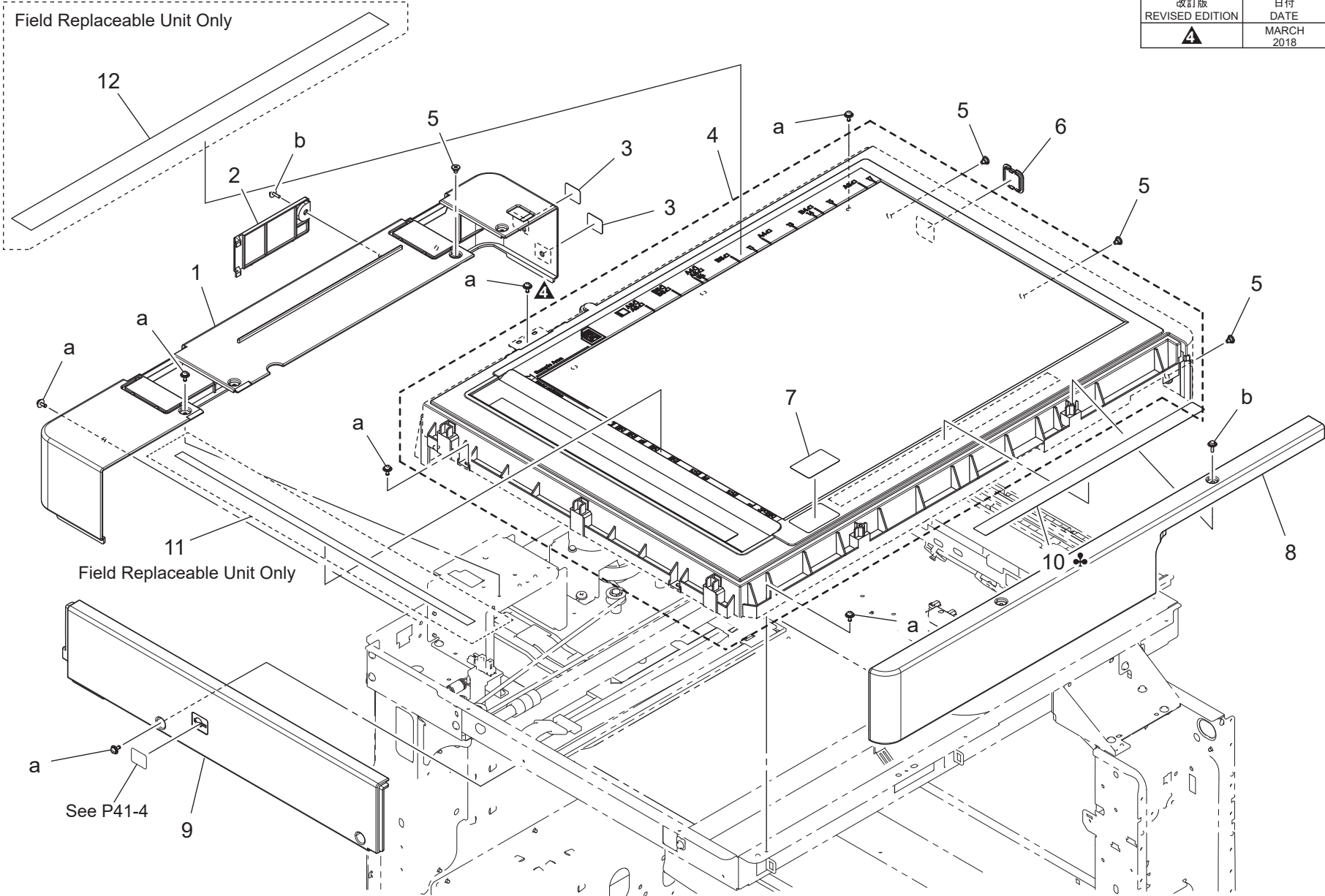


OPERATION PANEL SECTION

Key	Part No.	Description	Destinations	Class	QTY	Standard parts
1	A7AH134600	Ground Plate		D	1	a-V144030603 b-V153030803 c-V125030803 d-V116031003 e-V144030803 f-V116030804
2	A7AH139000	Mounting Plate		D	1	
3	A7AHN15600	Interface Cable		D	1	
4	A7AH162100	Holder		D	1	
5	A797M70002	Panel assembly	A,A1	I	1	
5	A797M70102	Panel assembly	B,D1,D3,E,F2,G1,G2, I(Except South Africa)	I	1	
5	A797M70202	Panel assembly	C,I(South Africa)	I	1	
5	A797M70302	Panel assembly	J	I	1	
6	A7AH162001	Seal		C	1	
7	A7AH161900	Cover		C	1	
8	A7AH161801	Lens		C	1	
9	A7AH166602	Cover		C	1	
10	4002504202	PLATE NUT		D	2	
11	A7AH161501	Cover /Right		C	1	
12	A7AH139401Old	Mounting Plate		D	1	
12	A7AH139412	Mounting Plate		D	1	
13	A7AH161700	Cover /Front		C	1	
14	A7AH161602Old	Cover /Middle		D	1	
14	A7AH161614	Cover /Middle		D	1	
15	A7AHN15301	Interface Cable		D	1	
16	A7AH139600	Mounting Plate		D	1	
17	A7AH161400	Cover /Left		C	1	
18	A011946200	Label Emperon		D	1	
19	A7AHP01100	Seal		C	1	

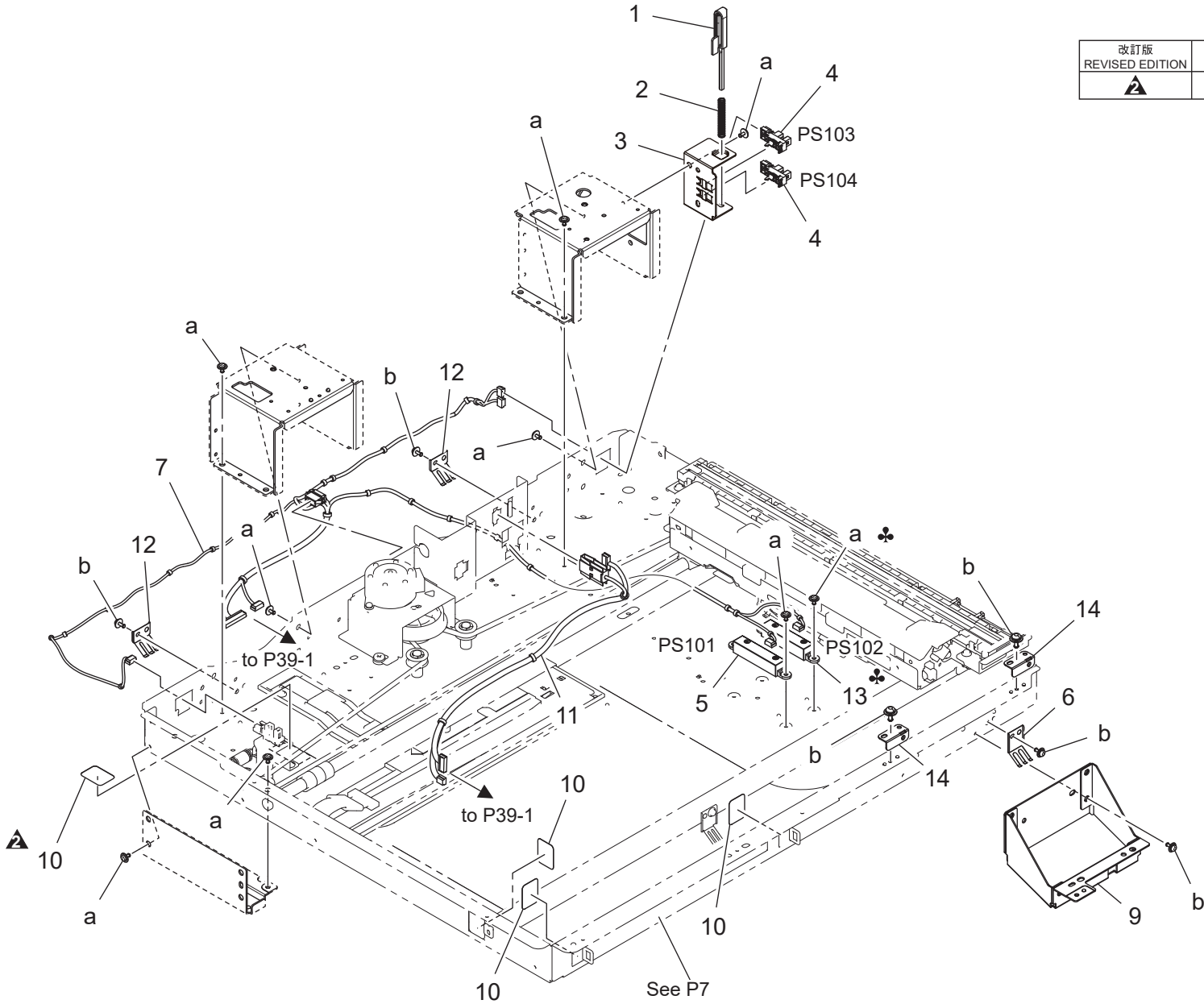
SCANNER SECTION

改訂版 REVISED EDITION	日付 DATE
	MARCH 2018



SCANNER SECTION

改訂版 REVISED EDITION	日付 DATE
	FEBRUARY 2018

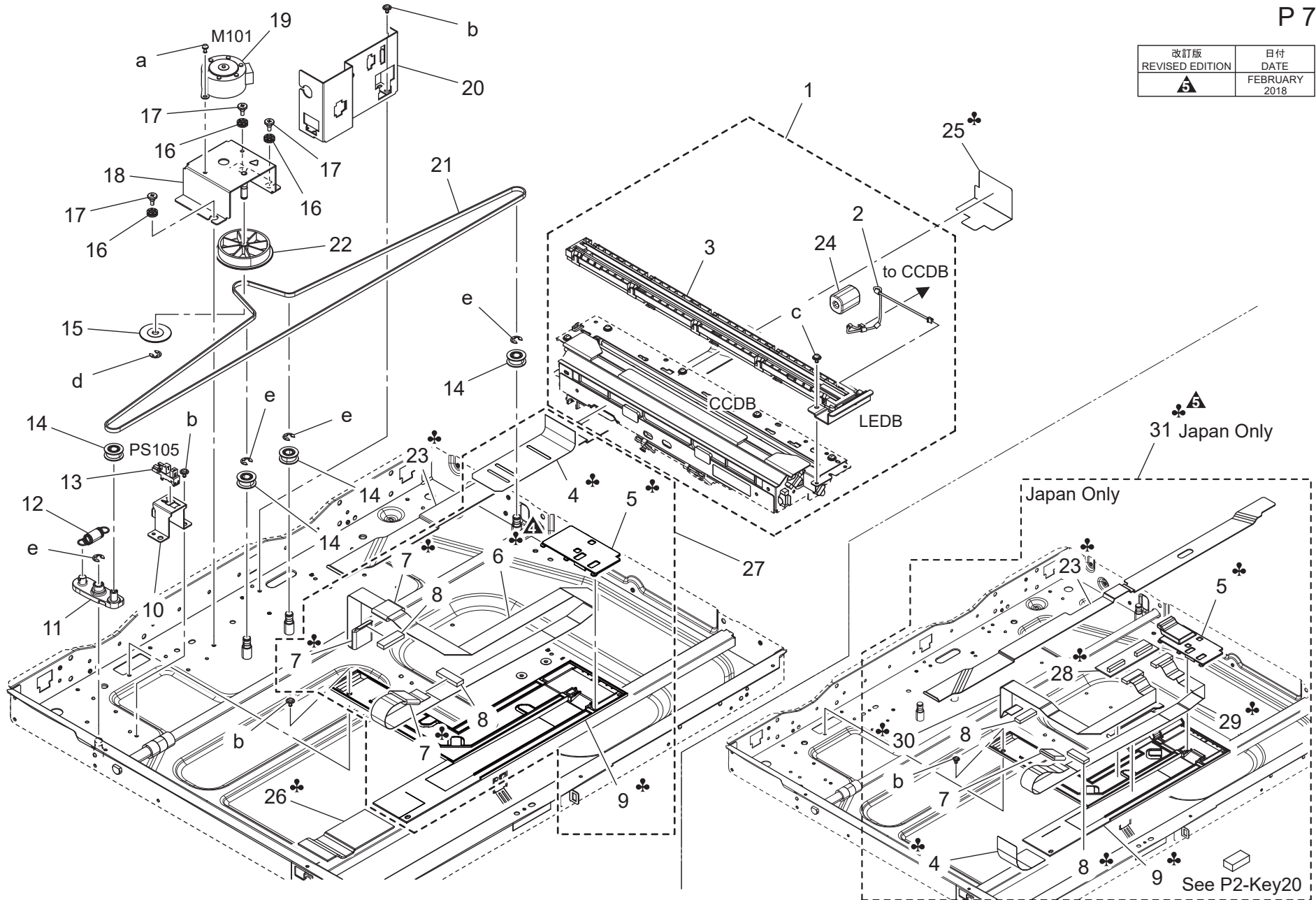


SCANNER SECTION

Key	Part No.	Description	Destinations	Class	QTY	Standard parts
1	A7AH285102	Lever		C	1	a-V144030603 b-V125030803
2	A7AH285400	Compressing Coil spring		C	1	
3	A7AH285502	Mounting Plate		D	1	
4	A5C1M50100	Photointerrupter		B	2	
5	A7AHM50100	APS Photoreflector		C	1	
6	A7AH281701	Ground Plate spring		D	1	
7	A7AHN12W00	Harness /Scanner		D	1	
9	A7AHPPB500	Mounting Plate /Right front		D	1	
10	4581162501	SEAL		C	4	
11	A7AHN12800	Harness /ADF Relay		D	1	
12	A7AH262501	Ground Plate spring		D	2	
13	A7AHM50100	APS Photoreflector	D1,D3,E,F2,G1,I(Exc ept South Africa)	C	1	
14	A7AH263600	Fixing Plate		D	2	

SCANNER SECTION

改訂版 REVISED EDITION	日付 DATE
	FEBRUARY 2018



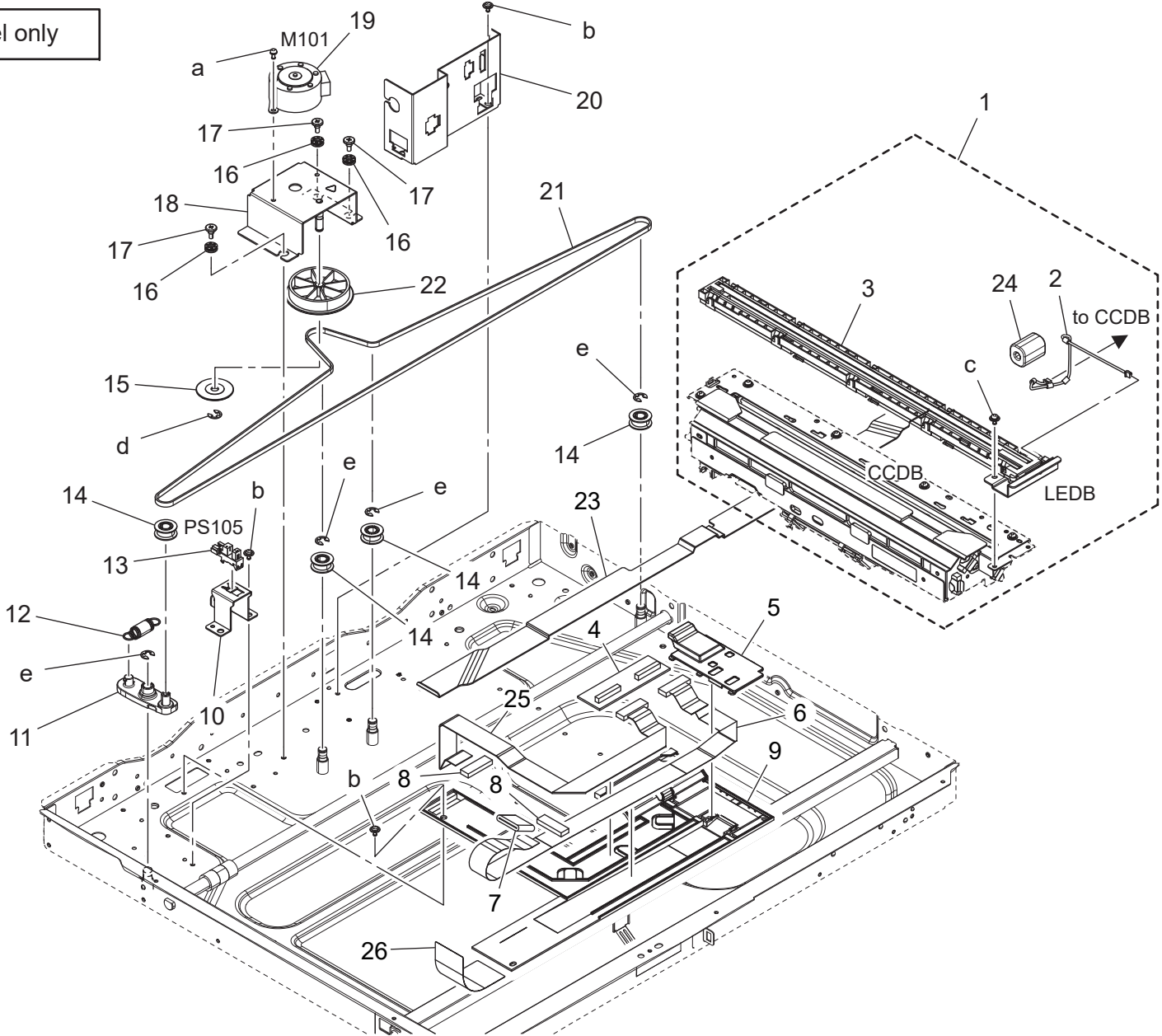
SCANNER SECTION

Key	Part No.	Description	Destinations	Class	QTY	Standard parts
1	A890R70033	Scan-IR unit		I	1	a-V115030603 b-V144030603 c-V116030603 d-V217050001 e-V218040086
2	A7AHN12Y02	Harness /Scanner		D	1	
3	A890R70211	LED exposure unit		C	1	
4	A7AH262900Old	Guide Sheet		D	1	
4	A7AH262911	Guide Sheet	B,C,D1,D3,E,F2,G1,G 2,I,J	D	1	
4	A7AH262911Old	Guide Sheet		D	1	
4	A7AH263800	Protection Sheet /Left	A,A1	D	1	
5	A7AH262101	Mounting Cover	A,A1 B,C,D1,D3,E,F2,G1,G 2,I,J	D	1	
5	A7AH262101Old	Mounting Cover	A,A1	D	1	
5	A7AH263900	Mounting Cover	A,A1	D	1	
6	A7AHN12V02Old	Harness /Scanner		D	1	
6	A7AHN12V14	Harness /Scanner	B,C,D1,D3,E,F2,G1,G 2,I,J	D	1	
7	A7AHM90100	Ferritecore	B,C,D1,D3,E,F2,G1,G 2,I,J	D	3	
7	A7AHM90100	Ferritecore	A,A1	D	1	
8	A7AHM90000	Connector		D	2	
9	A7AH261802Old	Mounting Plate		D	1	
9	A7AH261813	Mounting Plate	B,C,D1,D3,E,F2,G1,G 2,I,J	D	1	
9	A7AH261813Old	Mounting Plate	A,A1	D	1	
9	A7AH263700	Mounting Plate	A,A1	D	1	
10	A7AH261700	Mounting Plate		D	1	
11	A7AH280700	Adjusting Plate		C	1	
12	A7AH280500	Pulling Spring		C	1	
13	A5C1M50100	Photointerrupter		B	1	
14	A7AH281300	Idling Pulley		C	4	
15	A7AH281600	Washer		C	1	
16	A4EU138000	Support Rubber		D	3	
17	A7AH281800	Shoulder screw		C	3	
18	A7AH280800	Mounting Plate		D	1	
19	A161M10300	Stepping motor		C	1	
20	A7AH261902	Mounting Plate		D	1	
21	A7AH280400	Belt 1196L		C	1	
22	A7AH280900	Gear 120T		C	1	
23	A7AH262700	Protection Mat	B,C,D1,D3,E,F2,G1,G 2,I,J	C	1	
23	A7AH262700Old	Protection Mat	A,A1	C	1	
23	A7AH264000	Protection Mat	A,A1	C	1	
24	A7AHM90200	Ferritecore		C	1	
25	A7AH263000	Insulating Part	B,C,D1,D3,E,F2,G1,G 2,I,J	D	1	
26	A7AH263100	Tape	B,C,D1,D3,E,F2,G1,G 2,I,J	C	1	
27	A7AHR73100	Scanner Wiring Assy		D	1	
28	A7AHH00R00	Relay board	A,A1	C	1	
29	A7AHN12S00	Scanner Wiring /5		D	1	
30	A7AHN12T00	Scanner Wiring /6		D	1	
31	A7AHR73900	Scanner Wiring Assy	A,A1	D	1	

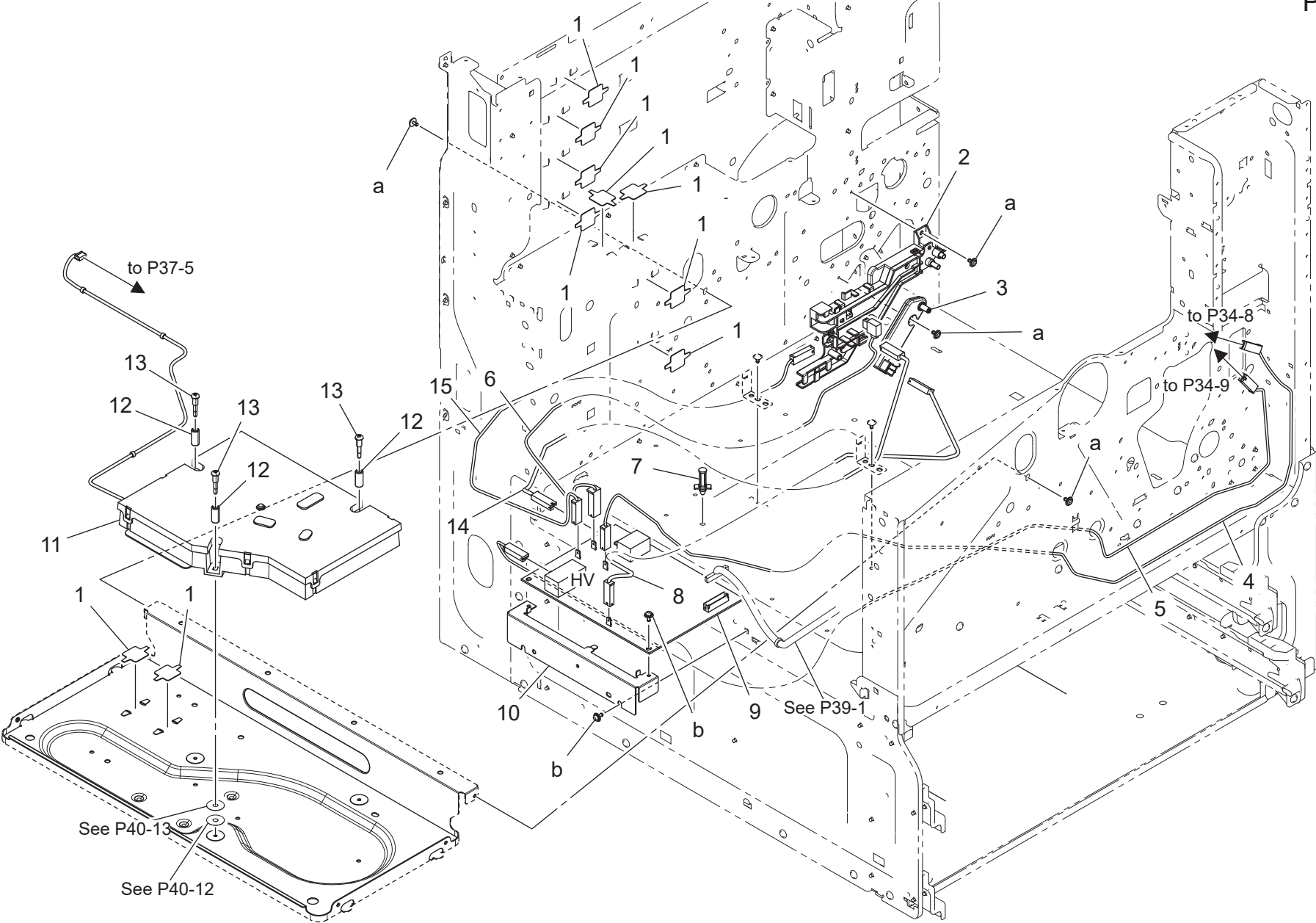
SCANNER SECTION

Refresh Model only

P 7A




PH UNIT/HIGH VOLTAGE SECTION

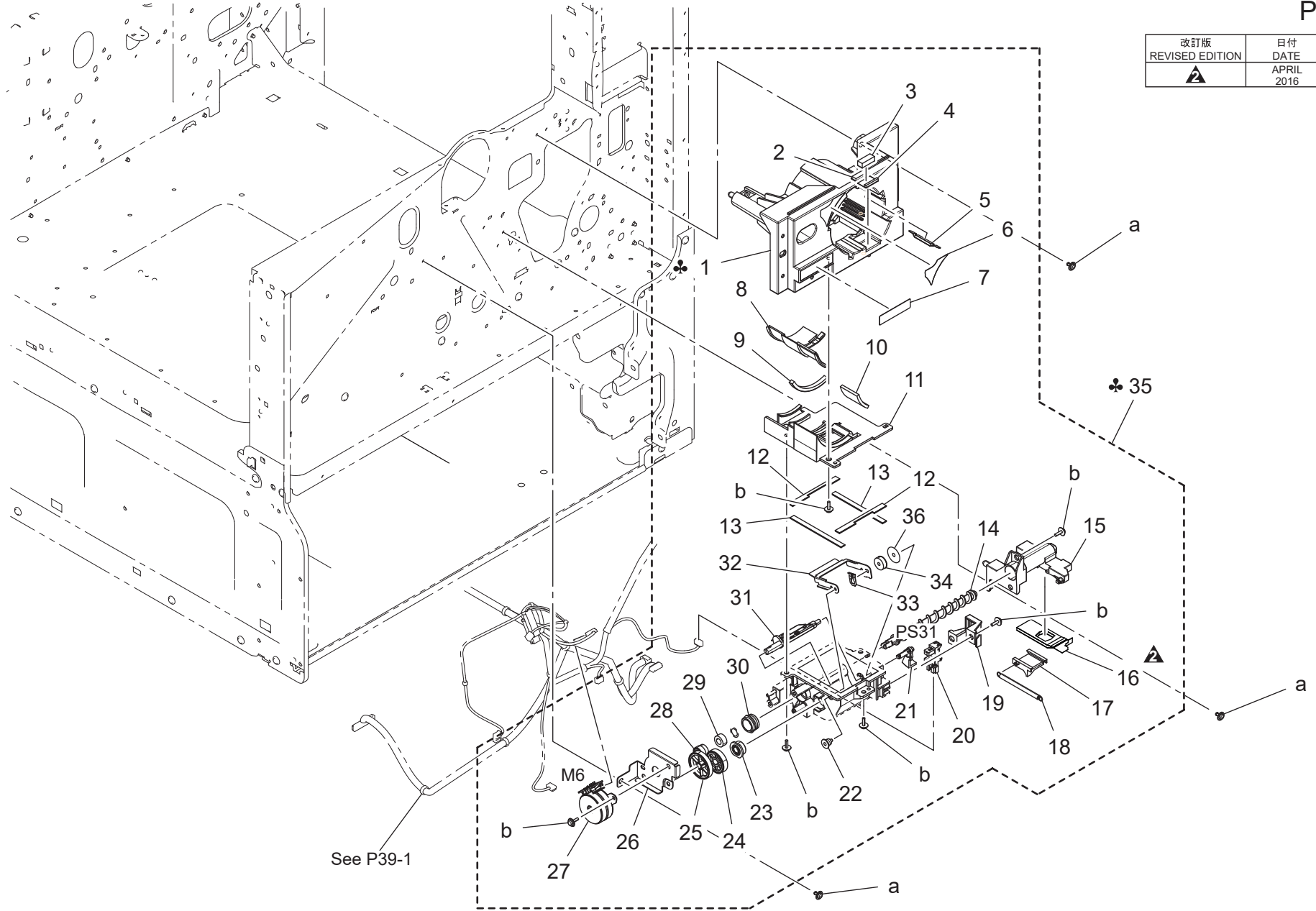


PH UNIT/HIGH VOLTAGE SECTION

Key	Part No.	Description	Destinations	Class	QTY	Standard parts
1	A1UD104500	Seal		D	10	a-V144030603 b-V125030803
2	A7AHR70100	Contact Assy		D	1	
3	A7AHR70000	DV Contact Assy		D	1	
4	A7AHN10800	Harness /Separating		D	1	
5	A7AHN10500	Harness /Transfer		D	1	
6	A7AHN13800	Harness /HV		D	1	
7	V502010043	PCB Support		D	1	
8	A7AHN10600	Harness /Developing		D	1	
9	A7AHM40600	High voltage unit		I	1	
10	A7AH134200	Mounting Plate		D	1	
11	A891R70000	PRINT HEAD ASSY		I	1	
11	A891R70100	Print Head Assy	(Except Refresh Model)	I	1	
12	4128197801	PRESSURE SPRING	(Refresh Model)	C	3	
13	4128197901	SHOULDER SCREW		C	3	
14	A7AHN10700	Harness /Chaging		D	1	
15	A7AHN13900	Harness /HV		D	1	

TONER SUPPLY SECTION


改訂版 REVISED EDITION	日付 DATE
	APRIL 2016

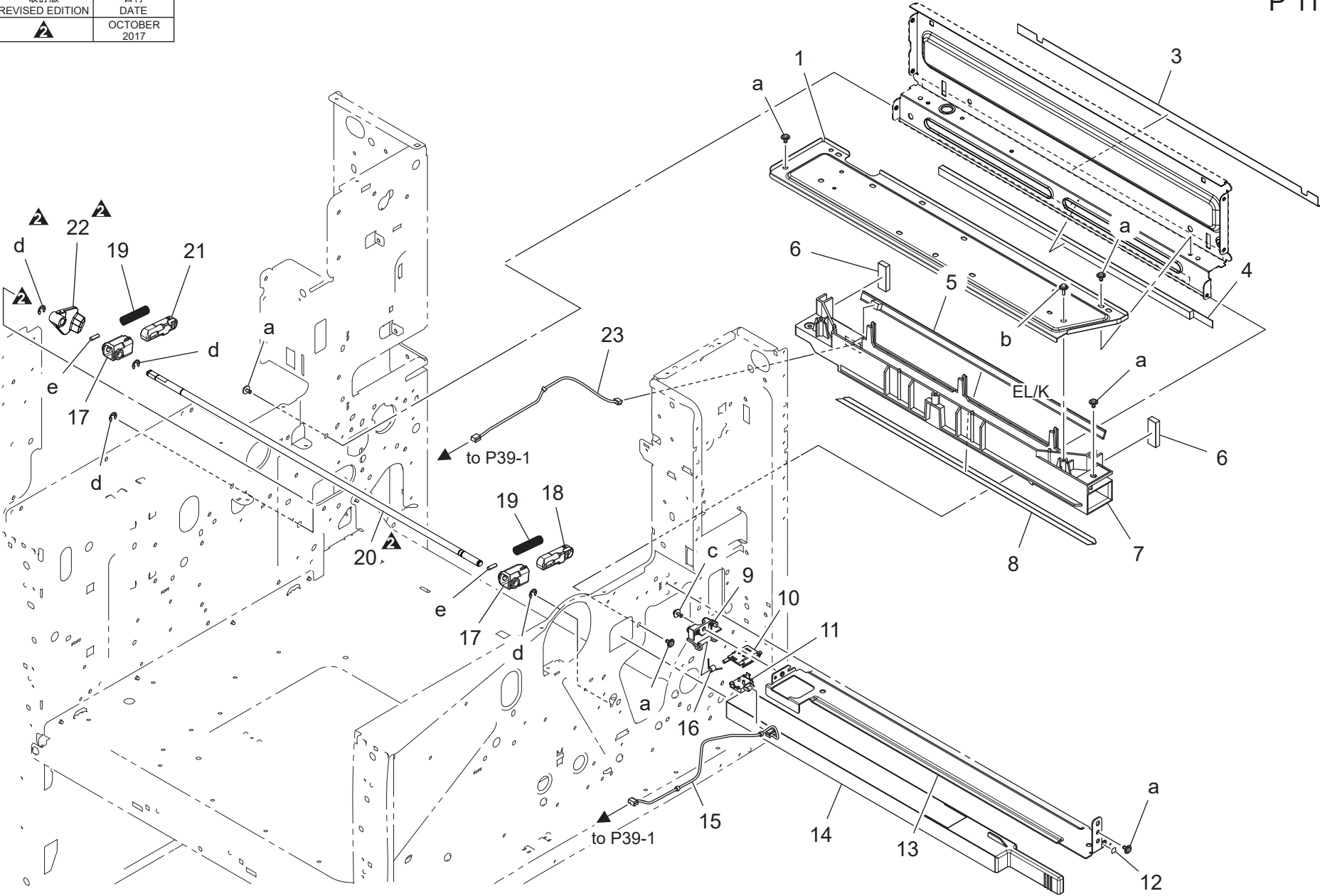


TONER SUPPLY SECTION

Key	Part No.	Description	Destinations	Class	QTY	Standard parts
1	A7AH402000	Cover	A,A1	D	1	a-V144030603 b-V153030803
1	A7AH405100	Cover	B,G2	C	1	
1	A7AH405200	Cover	C,I(South Africa)	C	1	
1	A7AH405300	Cover	D1,D3,E,F2,G1,I(Exc ept South Africa),J	C	1	
2	A161404001	Seal /1		D	1	
3	A161403701	Seal		D	1	
4	A161404100	Seal /2		D	1	
5	A161403901	Spacer		D	1	
6	A0ED940600	Label Toner 1		D	1	
7	A7AH946200	Label Toner type		C	1	
8	A161402403	Shutter		D	1	
9	A161403800	Seal		D	1	
10	A161402502	Seal		D	1	
11	A7AH402100	Cover		D	1	
12	A7AH403300	Seal		D	2	
13	A7AH403500	Seal		D	2	
14	A7AH400100	Screw		D	1	
15	A7AH406000	Conveyance Pipe		D	1	
16	A7AH403201	Seal		C	1	
17	A0ED401000	Shutter		D	1	
18	A7AH406300	Pulling Coil spring		C	1	
19	A7AH400700	Mounting Plate		D	1	
20	A5C1M50100	Photointerrupter		B	1	
21	A7AH404300	Detecting Actuator		C	1	
22	A161400800	Pin		D	1	
23	4163510201	BUSHING		C	1	
24	A161401100	Gear 36T		C	1	
25	A7AH401300	Gear 17/65T		C	1	
26	A7AH406201	Fixing Plate		D	1	
27	A7AHM10400	Stepping motor		C	1	
28	A161401000	Gear 18T		C	1	
29	4576536301	SEAL		D	1	
30	A161403101	Holder		C	1	
31	A5C1F42000	Agitating Shaft		D	1	
32	A161400401	Detecting Plate		D	1	
33	A161404200	Fixing Plate		D	1	
34	A161400601	Detecting Seal		D	1	
35	A7AHR70900	Sub Hopper Assy	A,A1	I	1	
35	A7AHR71000	Sub Hopper Assy	B,G2	I	1	
35	A7AHR71100	Sub Hopper Assy	C,I(South Africa)	I	1	
35	A7AHR71200	Sub Hopper Assy	D1,D3,E,F2,G1,I(Exc ept South Africa),J	I	1	
36	A5C1404600	Washer		D	1	

ERASE LAMP/DV LOCK LEVER SECTION

改訂版 REVISED EDITION	日付 DATE
	OCTOBER 2017

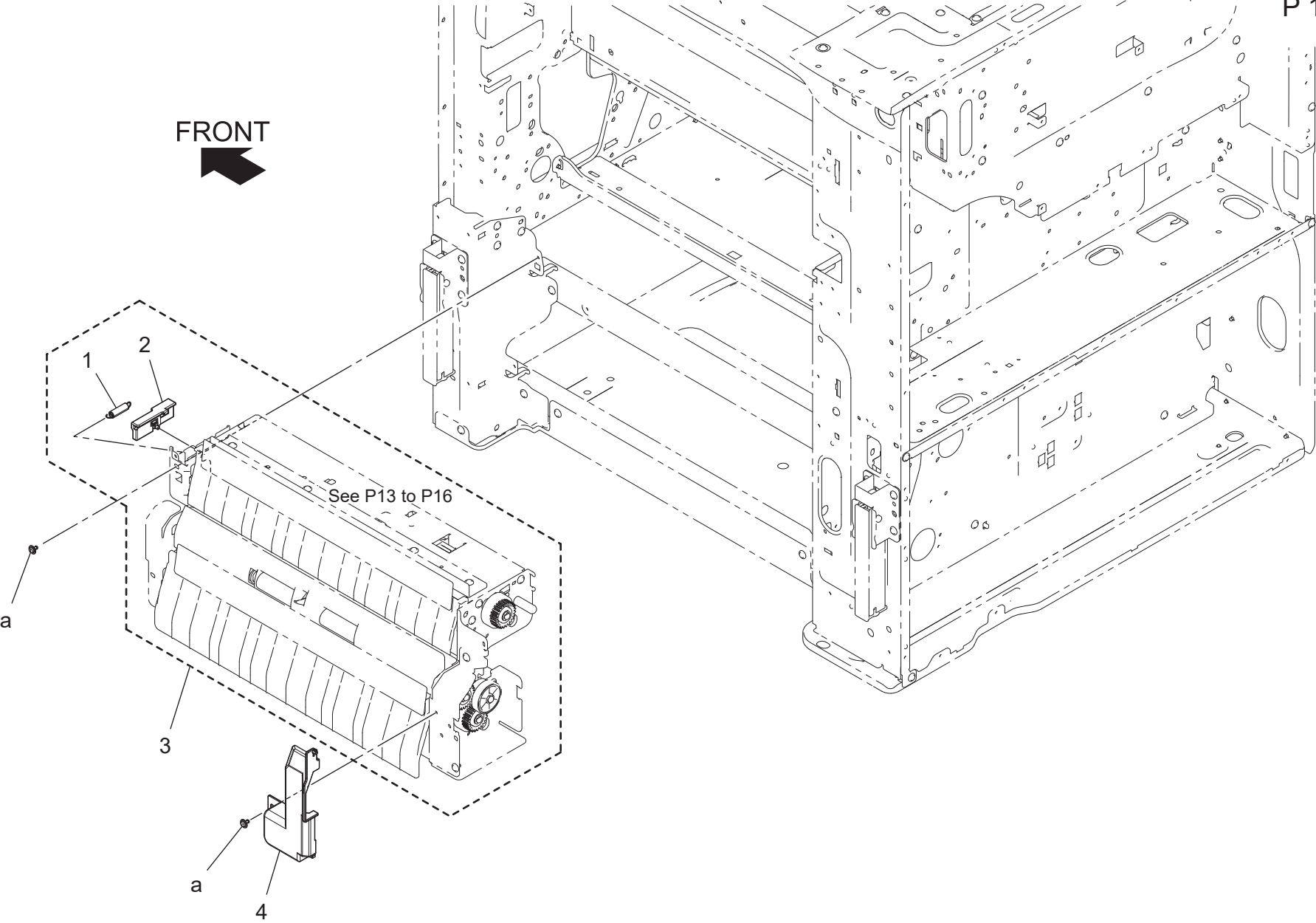


ERASE LAMP/DV LOCK LEVER SECTION

Key	Part No.	Description	Destinations	Class	QTY	Standard parts
1	A7AH142300	Mounting Plate		D	1	a-V144030603 b-V153030803 c-V125030803 d-V217040001 e-V234301050
3	A7AH142900	Seal		C	1	
4	A7AH142800	Seal		C	1	
5	A1UDM30900	LED Unit		I	1	
6	A7AH142700	Seal		C	2	
7	A7AH142100	Holder		D	1	
8	A7AH136301	Light blocking Plate		D	1	
9	A7AH112300	Sensor Holder		D	1	
10	A7AH139900	Mounting Plate		C	1	
11	A0EDM60001	Relay Connector		D	1	
12	A02E940300	Label		C	1	
13	A7AH112102	Guide Rail		D	1	
14	A7AHR70300	Ozone filter		A	1	
15	A7AHN11401	Harness /Photoconductor		D	1	
16	A7AH139700	Torsion Coil spring		C	1	
17	A161115700	Holder		D	2	
18	A7AH116100	Slide Lever		C	1	
19	A7AH116900	Pressure Spring		C	2	
20	A7AH116300Old	Release Shaft	(Except Refresh Model)	D	1	
20	A7AHPPA400	Release Shaft	(Except Refresh Model)	D	1	
20	A7AHPPA400	Release Shaft	(Refresh Model)	D	1	
21	A161116100	Slide Lever		D	1	
22	A7AH116500Old	Release Lever		C	1	
22	A7AH116511	Release Lever		C	1	
23	A7AHN11301	Harness /Neutralizing		D	1	

PAPER FEED SECTION

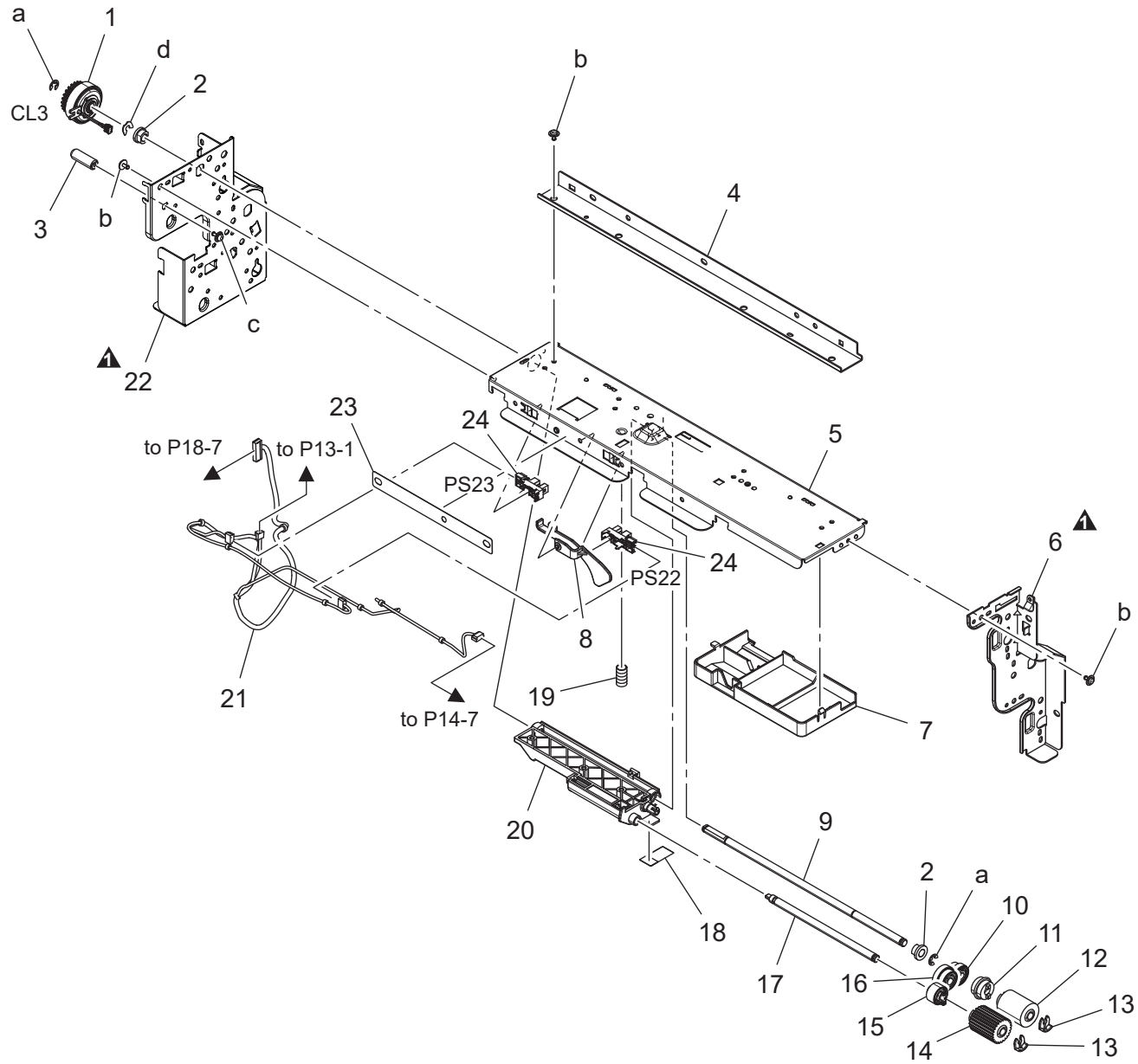
P 12



1ST PAPER FEED SECTION

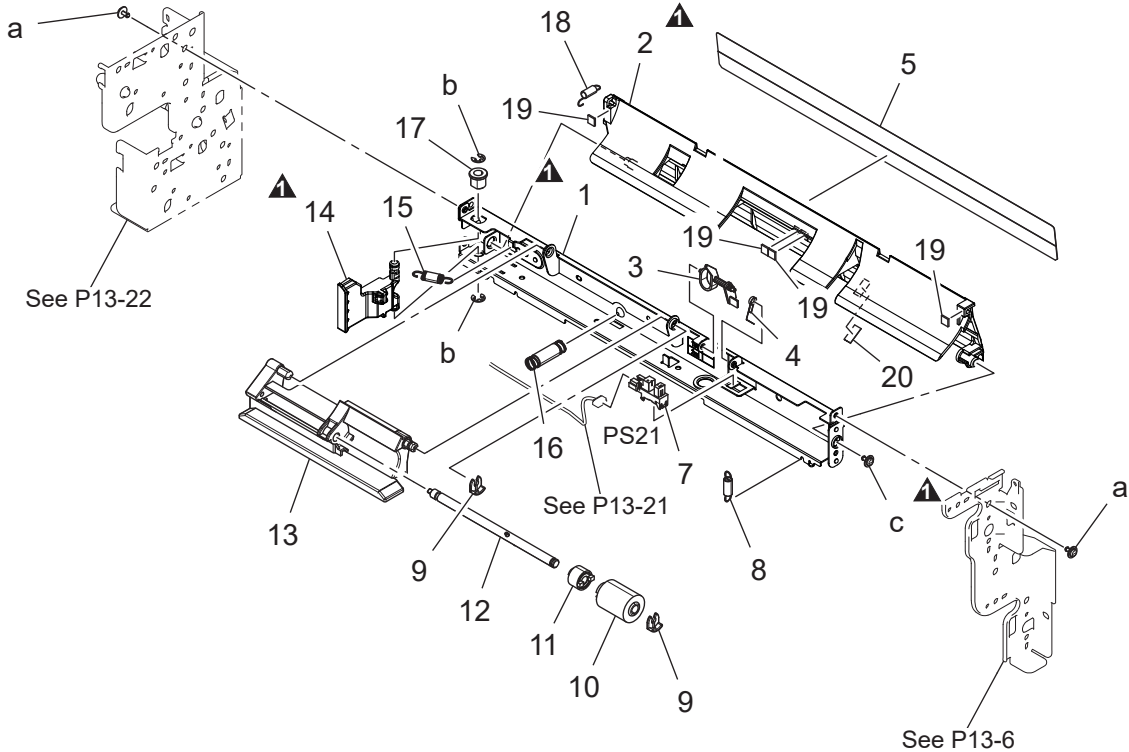
P 13

改訂版 REVISED EDITION	日付 DATE
▲	JANUARY 2018



1ST PAPER FEED SECTION

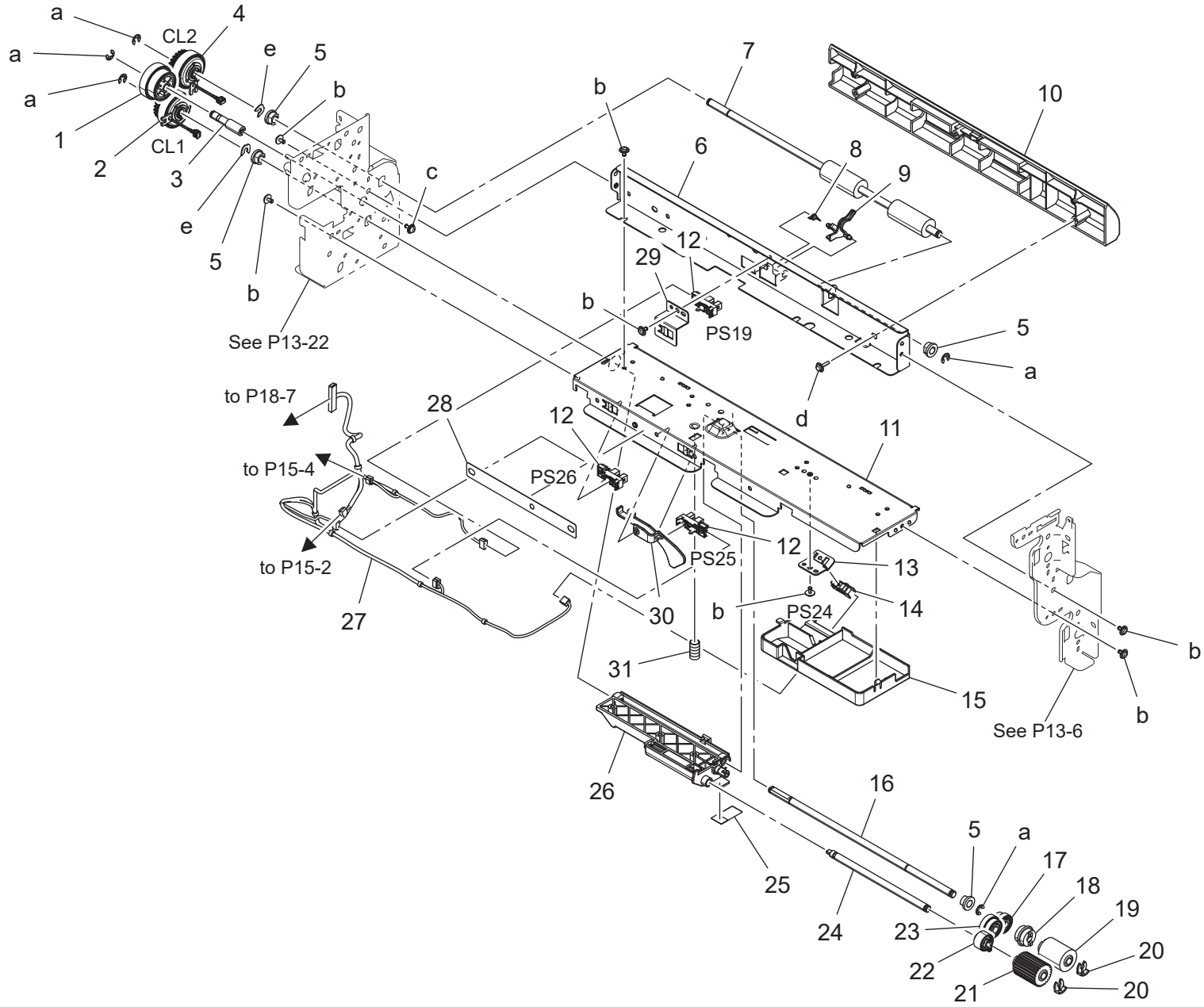
改訂版 REVISED EDITION	日付 DATE
▲	JANUARY 2018



1ST PAPER FEED SECTION

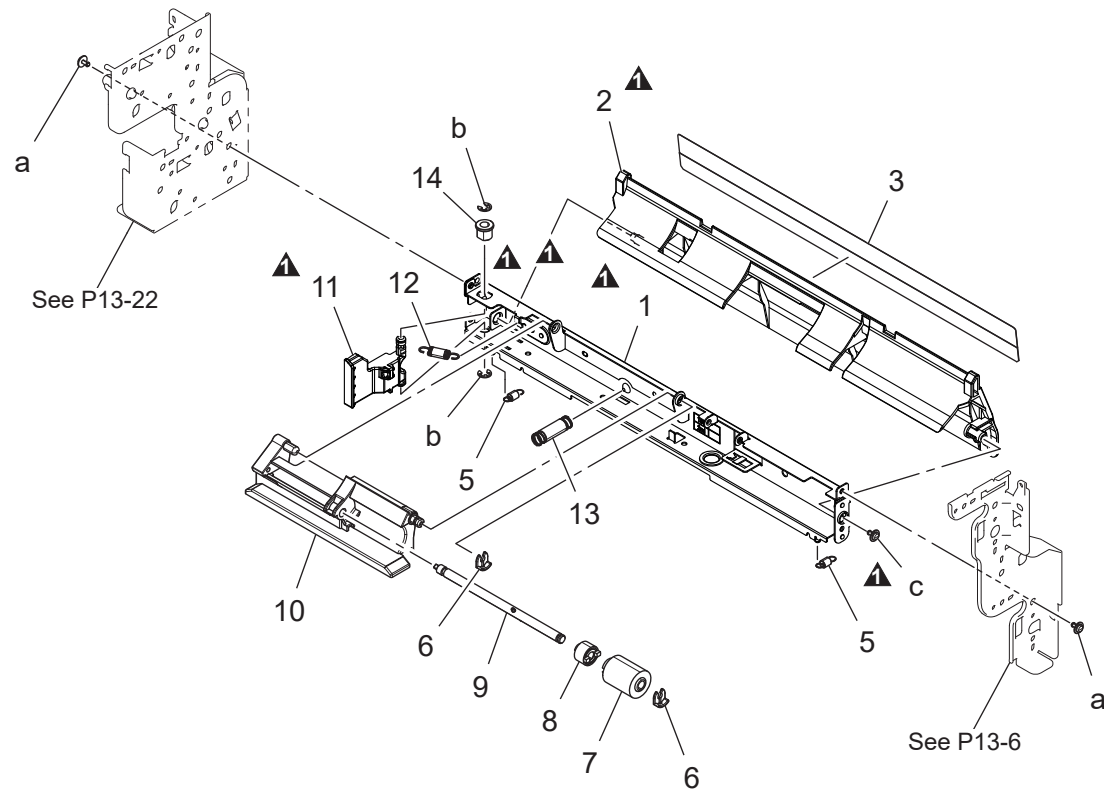
Key	Part No.	Description	Destinations	Class	QTY	Standard parts
1	A7AH563902Old	Frame	フレーム	D	1	a-V144030603 b-V217040001 c-V153030803
1	A7AH563914	Frame	フレーム (サバキ)	D	1	
2	A7AH568402Old	Paper feed Guide	給紙ガイド	C	1	
2	A7AH568414	Paper feed Guide	給紙ガイド (1段目)	C	1	
3	A7AH560800	Actuator	アクチュエータ	C	1	
4	A7AH560700	Torsion Coil spring	ねじりコイルばね	C	1	
5	A7AH568500	Guide	ガイド	C	1	
7	A5C1M50100	Photointerrupter	透過型センサ	B	1	
8	A7AH568600	Pulling Coil spring	引張りコイルばね	C	1	
9	56AA40490	SHAFT STOPPER 4	軸ストッパ 4	C	2	
10	A00J563600	Roller	ローラ	A	1	
11	A0ED563900	Torque limiter	トルクリミッタ	C	1	
12	A7AH565000	Support Shaft	支点軸 (サバキ)	D	1	
13	A7AH563101	Holder	ホルダ	D	1	
14	A7AH564112	Release Lever	解除レバー (ピック)	C	1	
15	A7AH564401	Pulling Coil spring	引張りコイルばね	C	1	
16	A7AH561300	Compressing Coil spring	圧縮コイルばね	C	1	
17	A02E815200	BUSHING	軸受	C	1	
18	A7AH570100	Pulling Coil spring	引張りコイルばね	C	1	
19	A161826001	Cushion /B	クッション / B	D	4	
20	A7AH570200	Slide Part	すべり材	C	1	

2ND PAPER FEED SECTION



2ND PAPER FEED SECTION

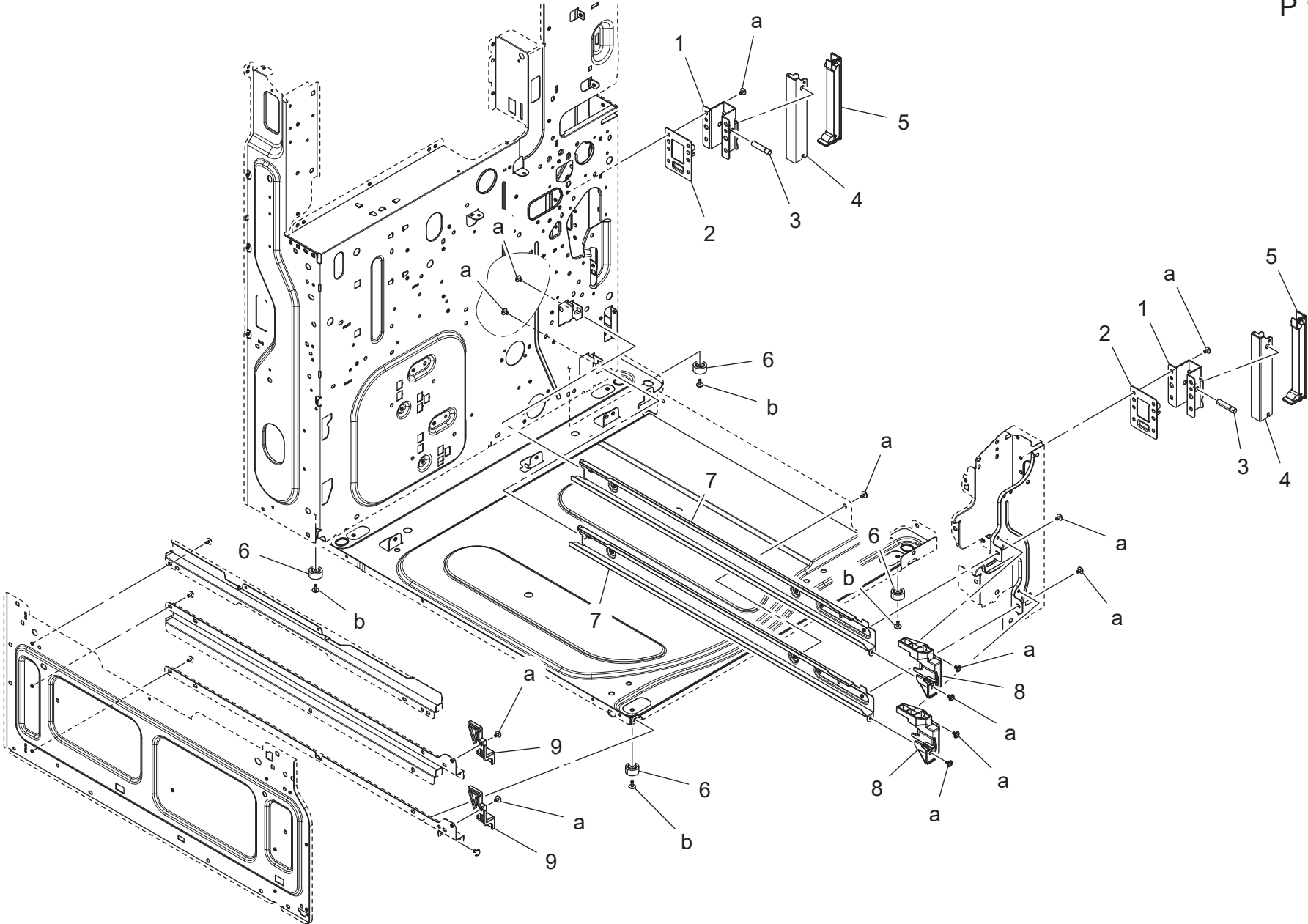
改訂版 REVISED EDITION	日付 DATE
▲	JANUARY 2018



2ND PAPER FEED SECTION

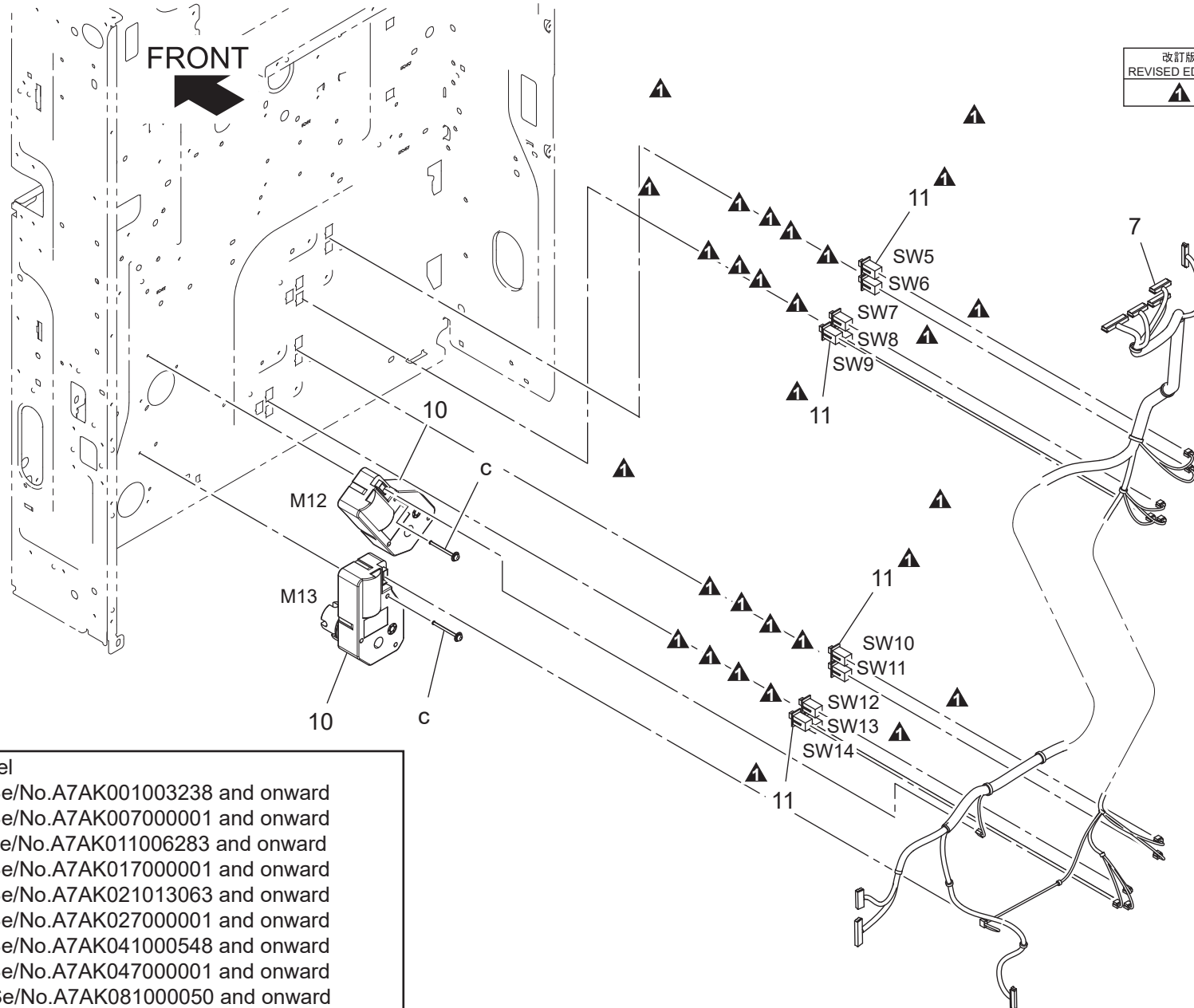
Key	Part No.	Description	Destinations	Class	QTY	Standard parts
1	A7AH563902Old	Frame		D	1	a-V144030603 b-V217040001 c-V153030803
1	A7AH563914	Frame		D	1	
2	A7AH578401Old	Paper feed Guide		C	1	
2	A7AH578413	Paper feed Guide		C	1	
3	A7AH568500	Guide		C	1	
5	A7AH568700	Pulling Coil spring		C	2	
6	56AA40490	SHAFT STOPPER 4		C	2	
7	A00J563600	Roller		A	1	
8	A0ED563900	Torque limiter		C	1	
9	A7AH565000	Support Shaft		D	1	
10	A7AH563101	Holder		D	1	
11	A7AH564112	Release Lever		C	1	
12	A7AH564401	Pulling Coil spring		C	1	
13	A7AH561300	Compressing Coil spring		C	1	
14	A02E815200	BUSHING		C	1	

CASSETTE RAIL SECTION



PAPER SIZE DETECTION SECTION

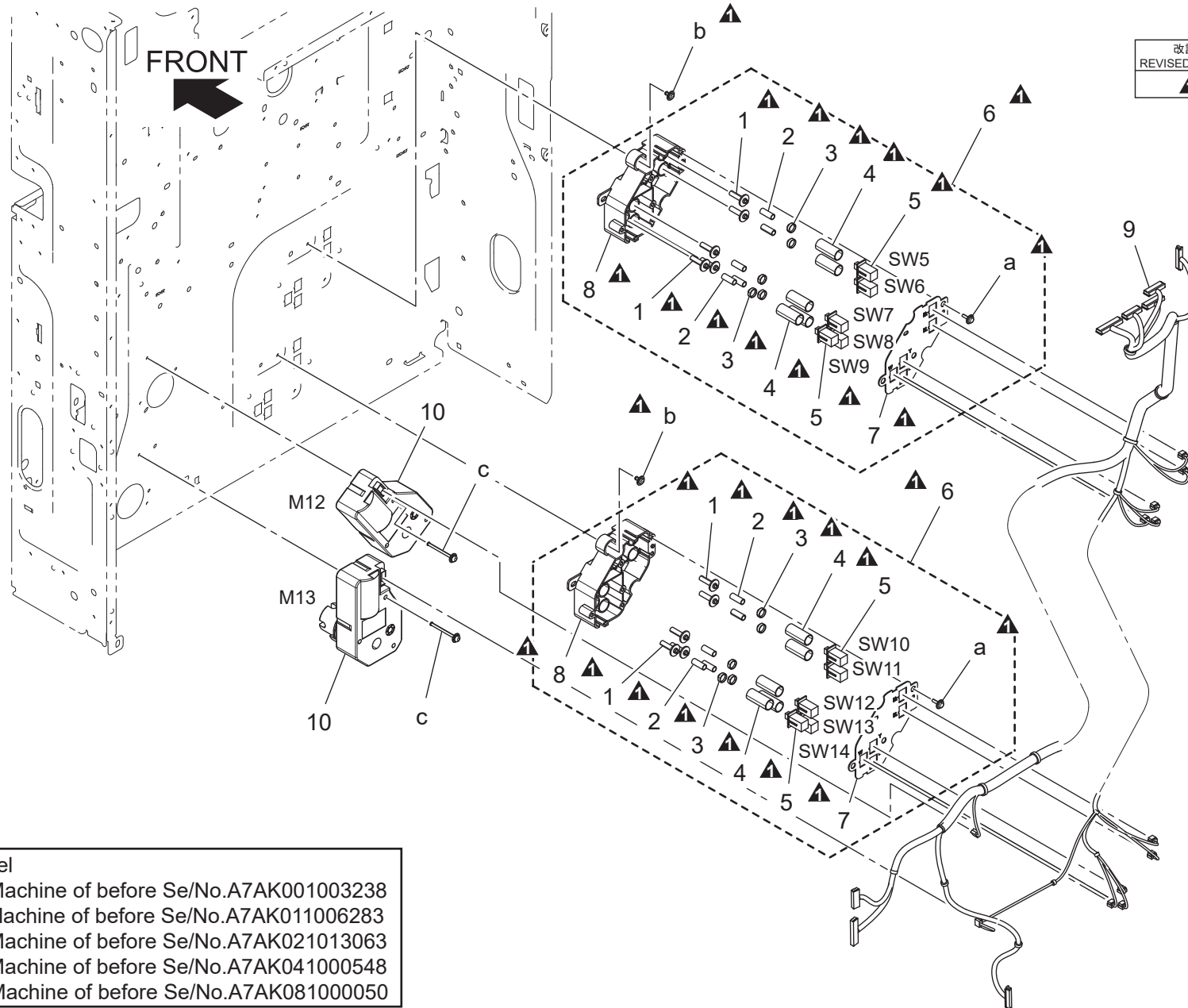
改訂版 REVISED EDITION	日付 DATE
▲	AUGUST 2016



Applied Model
 A7AK-001: Se/No.A7AK001003238 and onward
 A7AK-007: Se/No.A7AK007000001 and onward
 A7AK-011: Se/No.A7AK011006283 and onward
 A7AK-017: Se/No.A7AK017000001 and onward
 A7AK-021: Se/No.A7AK021013063 and onward
 A7AK-027: Se/No.A7AK027000001 and onward
 A7AK-041: Se/No.A7AK041000548 and onward
 A7AK-047: Se/No.A7AK047000001 and onward
 A7AH-081: Se/No.A7AK081000050 and onward

PAPER SIZE DETECTION SECTION

改訂版 REVISED EDITION	日付 DATE
▲	SEPTEMBER 2017

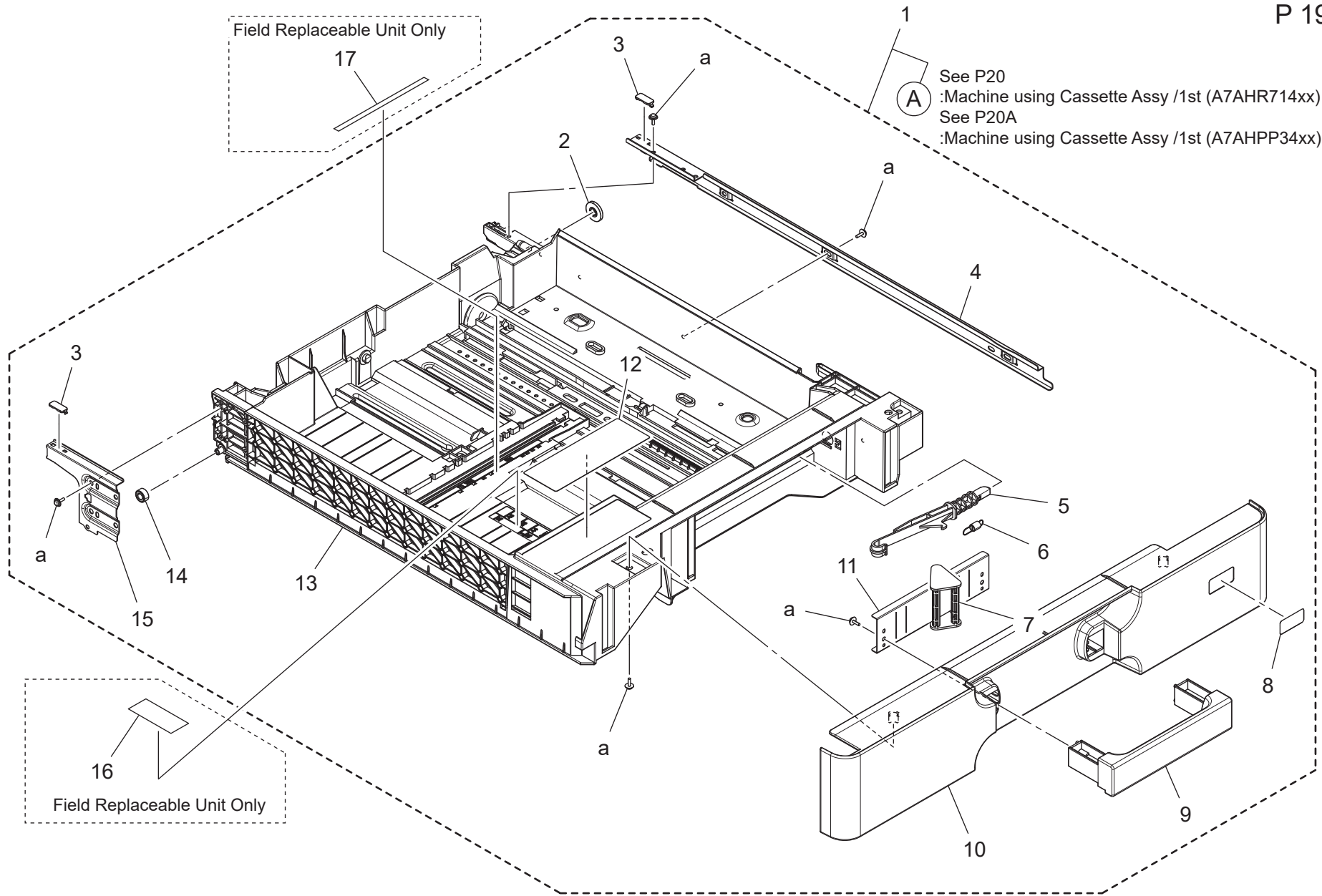


Applied Model
 A7AK-001: Machine of before Se/No.A7AK001003238
 A7AK-011: Machine of before Se/No.A7AK011006283
 A7AK-021: Machine of before Se/No.A7AK021013063
 A7AK-041: Machine of before Se/No.A7AK041000548
 A7AH-081: Machine of before Se/No.A7AK081000050

PAPER SIZE DETECTION SECTION

Key	Part No.	Description	Destinations	Class	QTY	Standard parts
1	A7AH627501	Lever		D	10	a-V153030803 b-V144030603 c-V116033003
2	A7AH627701	Spring		D	10	
3	A7AH627900	Stopper		D	10	
4	A7AH627800	Spring		C	10	
5	A7AHM60100	Switch		C	10	
6	A7AHR72800	Paper Size Detection Assy		C	2	
7	A7AH627600	Cover		D	2	
8	A7AH627400	Case		D	2	
9	A7AHN12200	Harness /Paper Feed Wiring		D	1	
10	9J06M10300	MOTOR		B	2	


1ST CASSETTE SECTION

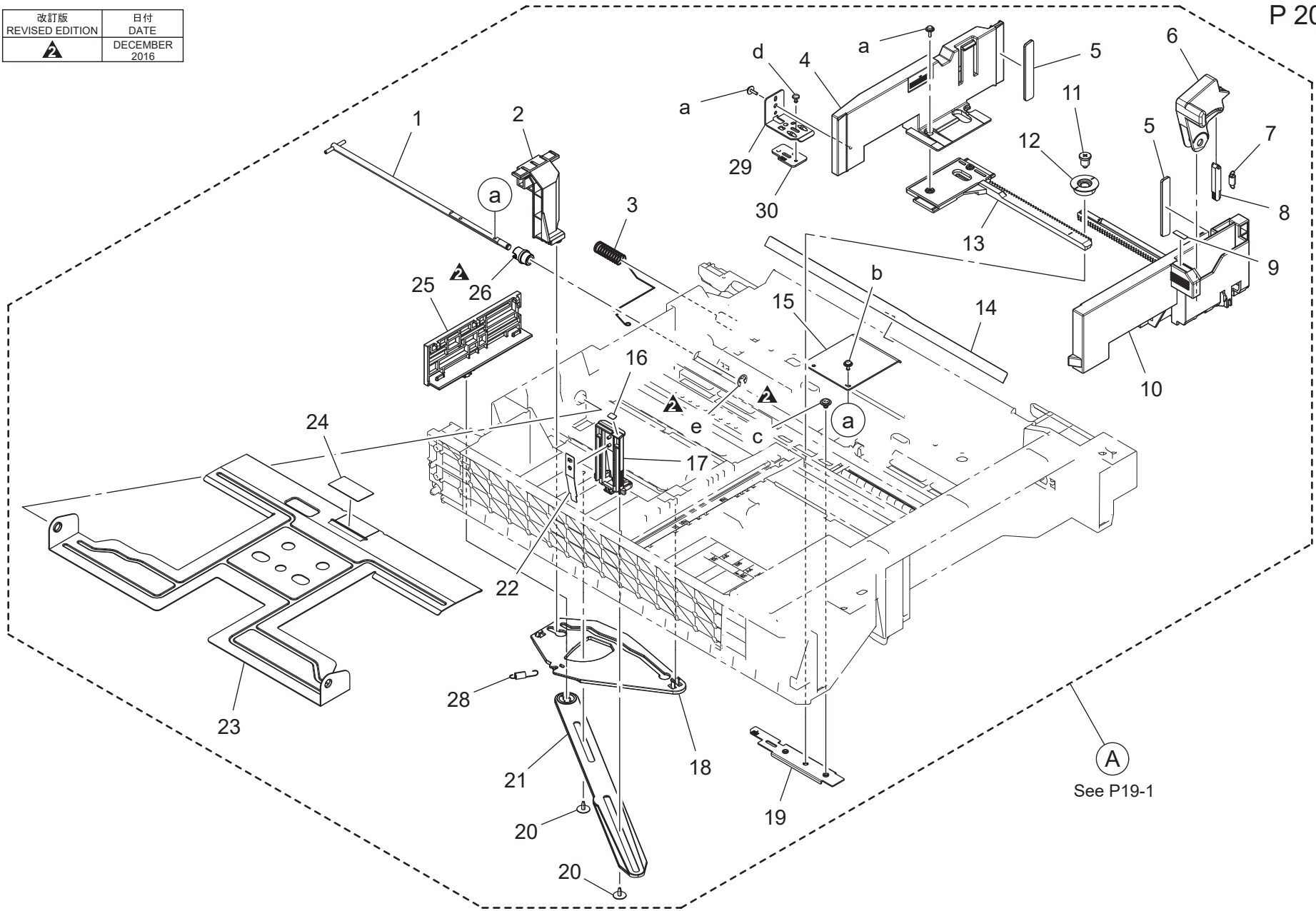


1ST CASSETTE SECTION

Key	Part No.	Description	Destinations	Class	QTY	Standard parts	
1	A7AHP3400	Cassette Assy /1st	カセット A s s y / 1 段目	(Except Refresh Model)	S	1	a-V153030803
1	A7AHP3400	Cassette Assy /1st	カセット A s s y / 1 段目	(Refresh Model)	S	1	
2	A7AH629901	Roll	ころ	C	1		
3	A7AH622901	Slide Part	すべり材	D	2		
4	A7AH623400	Rail	レール	D	1		
5	A7AH624100	Lever	レバー	C	1		
6	A161626800	Pulling Coil spring	引張りコイルばね (ロックレバー)	C	1		
7	A161626602	Lever	レバー (解除)	C	1		
8	A7AH941100	Label 1	ラベル 1	C	1		
9	A7AH626901	Handle	取手	C	1		
10	A7AH625101	Cover /Upper	カバー / 上	C	1		
11	A7AH624300	Holder	ホルダ	D	1		
12	A7AH941001	Label Paper supply	ラベル 用紙補給	C	1		
13	A7AH620105	Paper feed Cassette	給紙カセット (B 4)	(Except Refresh Model)	D	1	
13	A7AH620200	CASSETTE : 1st : PAPER FEED	給紙カセット (1 段目)	(Refresh Model)	D	1	
14	A161623400	Roll	ころ	D	1		
15	A7AH623201	Rail /Left	レール / 左	D	1		
16	A7AHP00100	Label	ラベル (カセット・CD スケール 1)	C	1		
17	A7AHP00200	Label	ラベル (カセット・FD スケール 1)	C	1		

1ST CASSETTE SECTION

改訂版 REVISED EDITION	日付 DATE
	DECEMBER 2016

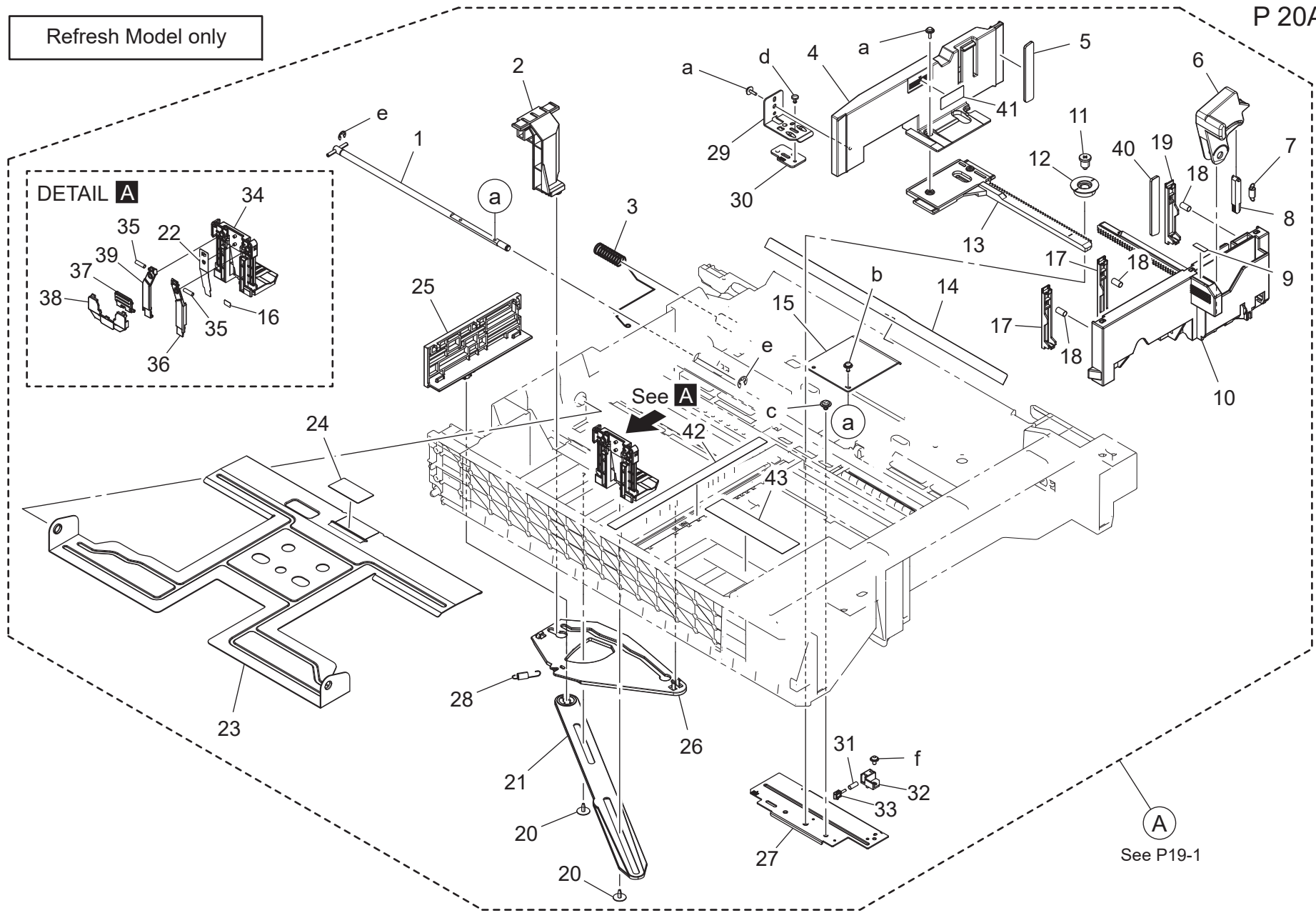


Key	Part No.	Description	Destinations	Class	QTY	Standard parts
1	A7AH621601Old	Lifting Shaft		D	1	a-V153030803 b-V125030803 c-V127040603 d-V143030603 e-V217040001
1	A7AH621612	Lifting Shaft		D	1	
2	A7AH623602	Lever		D	1	
3	A7AH622100	Ground Spring		C	1	
4	A7AH620902Old	Regulating Plate /Rear		C	1	
4	A7AH620913	Regulating Plate /Rear		C	1	
5	A161624100	Cushion		C	2	
6	A7AH621300	Operation Lever		C	1	
7	A7AH621000	Pulling Coil spring		C	1	
8	A7AH621200	Lock Lever		D	1	
9	A161943000	Label		C	1	
10	A7AH620801	Regulating Plate		C	1	
11	A7AH628200	Shoulder screw		C	1	
12	A161620701	Gear		D	1	
13	A7AH622401	Regulating Plate /Rear		C	1	
14	A7AH629600	Guide		C	1	
15	4030320601	LEVER		D	1	
16	A7AH941300	Label Position		C	1	
17	A7AH621701	Regulating Plate		D	1	
18	A7AH623501	Lever		D	1	
19	A7AH620601	Adjusting Plate		D	1	
20	4163529301	SCREW		C	2	
21	A7AH621401	Lever		D	1	
22	A7AH621801	Plate spring		D	1	
23	A7AH620400	Lifting Plate		D	1	
24	A7AH627000	Separating Sheet		C	1	
25	A7AH622201	Detecting Plate		D	1	
26	A7AH621502	Bushing		C	1	
28	A7AH623700	Pulling Coil spring		C	1	
29	A7AH622600	Mounting Plate		D	1	
30	A7AH622700	Adjusting Plate		D	1	

1ST CASSETTE SECTION

P 20A

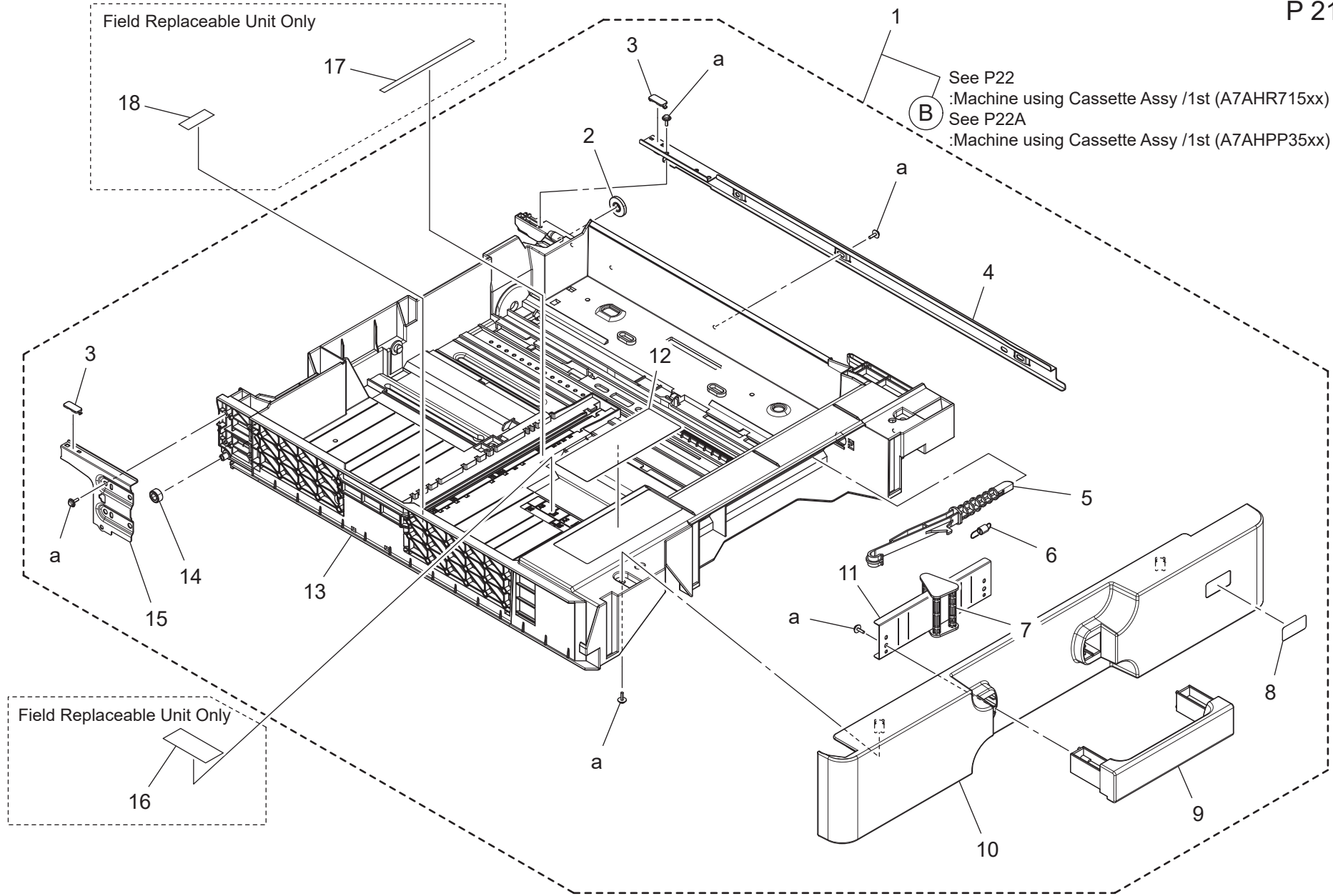
Refresh Model only



1ST CASSETTE SECTION

Key	Part No.	Description	Destinations	Class	QTY	Standard parts
1	A7AH624600	SHAFT :LIFTING :BOTTOM PLATE :ASSY	押上げ軸 (Refresh Model)	D	1	a-V153030803 b-V125030803 c-V127040603 d-V143030603 e-V217040001 f-V127030604
2	A7AH623602	Lever	レバー (Refresh Model)	D	1	
3	A7AH622100	Ground Spring	アースばね (Refresh Model)	C	1	
4	A7AH620913	Regulating Plate /Rear	規制板/後 (Refresh Model)	C	1	
5	A161624100	Cushion	クッション (ガイド) (Refresh Model)	C	1	
6	A795621301	Operation Lever	操作レバー (Refresh Model)	C	1	
7	A7AH621000	Pulling Coil spring	引張りコイルばね (Refresh Model)	C	1	
8	A7AH621200	Lock Lever	ロックレバー (Refresh Model)	D	1	
9	A161943000	Label	ラベル (Refresh Model)	C	1	
10	A795620800	Regulating Plate	規制板 (Refresh Model)	C	1	
11	A7AH628200	Shoulder screw	段ねじ (Refresh Model)	C	1	
12	A161620701	Gear	ギア (Refresh Model)	D	1	
13	A7AH622401	Regulating Plate /Rear	規制板/奥 (Refresh Model)	C	1	
14	A7AH629600	Guide	ガイド (Refresh Model)	C	1	
15	4030320601	LEVER	レバー (Refresh Model)	D	1	
16	A7AH941300	Label Position	ラベル セット位置 (Refresh Model)	C	1	
17	A795622600	Auxiliary Guide /2	補助ガイド/2 (Refresh Model)	C	2	
18	A795622700	Compressing Spring	圧縮ばね (Refresh Model)	C	3	
19	A795622500	Auxiliary Guide /1	補助ガイド/1 (Refresh Model)	C	1	
20	4163529301	SCREW	ねじ (Refresh Model)	C	2	
21	A7AH621401	Lever	レバー (Refresh Model)	D	1	
22	A7AH621801	Plate spring	板ばね (Refresh Model)	D	1	
23	A7AH620400	Lifting Plate	押上げ板 (Refresh Model)	D	1	
24	A7AH627000	Separating Sheet	分離シート (Refresh Model)	C	1	
25	A7AH622201	Detecting Plate	検出板 (Refresh Model)	D	1	
26	A7AH624500	LEVER : PAPER SIZE : CD dir : CASSE TTE	レバー (CD サイズ) (Refresh Model)	D	1	
27	A7AH620500	ADJUSTING PLATE : SIDE FENCE : CASS ETTE	調整板 (CD 規制) (Refresh Model)	D	1	
28	A7AH623700	Pulling Coil spring	引張りコイルばね (Refresh Model)	C	1	
29	A7AH622600	Mounting Plate	取付板 (サイズ検知) (Refresh Model)	D	1	
30	A7AH622700	Adjusting Plate	調整板 (サイズ検知) (Refresh Model)	D	1	
31	A795565900	Compressing Spring	圧縮ばね (Refresh Model)	C	1	
32	A795565700	Holder	ホルダ (Refresh Model)	C	1	
33	A795565800	Lever	レバー (Refresh Model)	C	1	
34	A7AH635000	BASE : END FENCE : CASSETTE	規制板 (後端) (Refresh Model)	D	1	
35	A795565500	Compressing Spring	圧縮ばね (Refresh Model)	C	2	
36	A7AH635100	STOPPER : END FENCE : FRONT	ストッパ/前 (Refresh Model)	D	1	
37	A7AH635400	LEVER : END FENCE : CASSETTE	レバー (FD 規制) (Refresh Model)	D	1	
38	A7AH635300	COVER : END FENCE : CASSETTE	カバー (FD 規制) (Refresh Model)	D	1	
39	A7AH635200	STOPPER : END FENCE : REAR	ストッパ/後 (Refresh Model)	D	1	
40	A795566000	Cushion	クッション (Refresh Model)	C	1	
41	A161943700	Label Max Level	ラベル 積載量 (Refresh Model)	C	1	
42	A7AH943500	Label	ラベル (カセット・FD スケール1) (Refresh Model)	C	1	
43	A7AH943400	Label	ラベル (カセット・CD スケール1) (Refresh Model)	C	1	


2ND CASSETTE SECTION

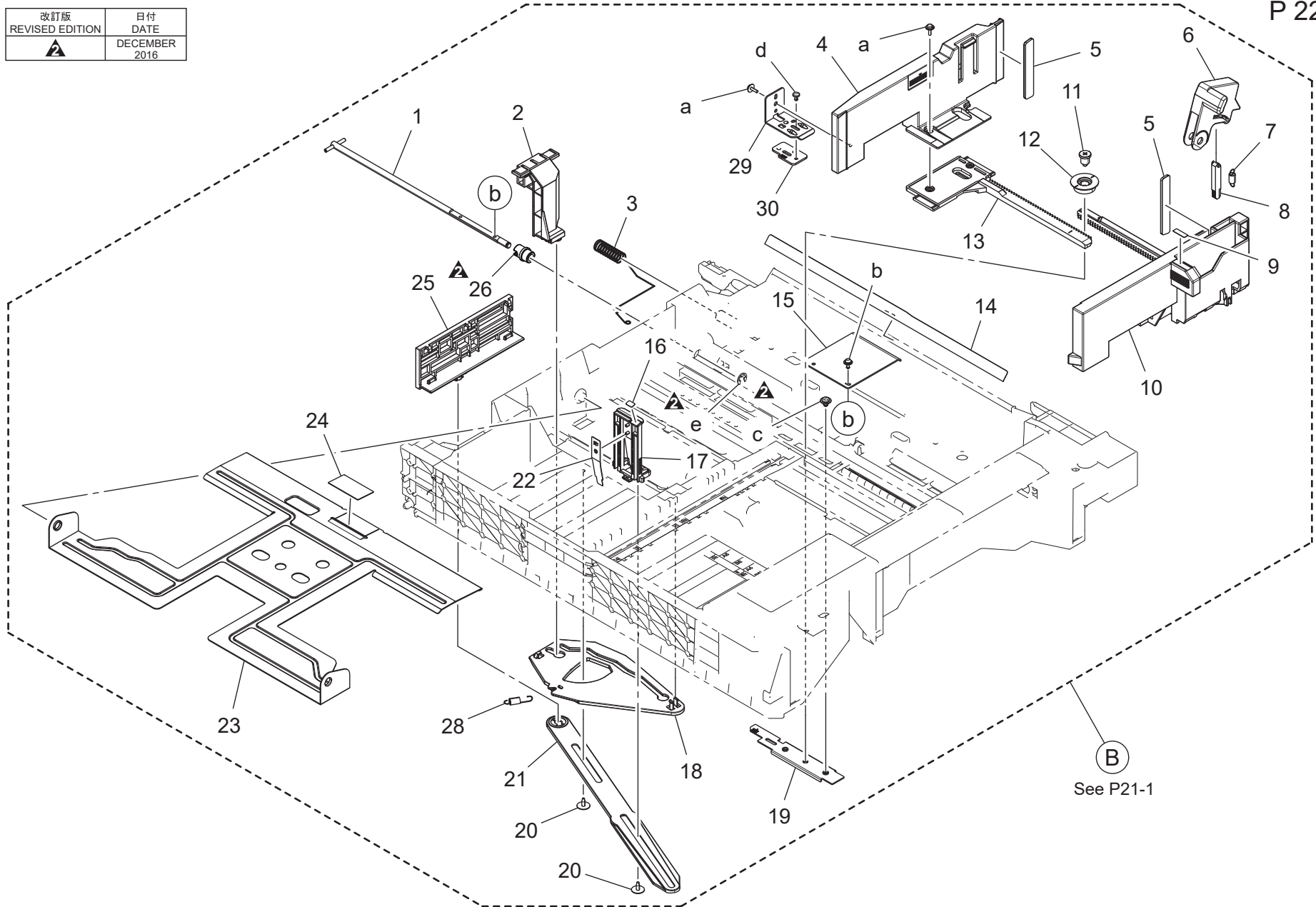


2ND CASSETTE SECTION

Key	Part No.	Description	Destinations	Class	QTY	Standard parts	
1	A7AHP3500	Cassette Assy /2nd	カセット A s s y / 2 段目	(Except Refresh Model)	S	1	a-V153030803
1	A7AHP3500	Cassette Assy /2nd	カセット A s s y / 2 段目	(Refresh Model)	S	1	
2	A7AH629901	Roll	ころ	C	1		
3	A7AH622901	Slide Part	すべり材	D	2		
4	A7AH623400	Rail	レール	D	1		
5	A7AH624200	Lever	レバー	C	1		
6	A161626800	Pulling Coil spring	引張りコイルばね (ロックレバー)	C	1		
7	A161626602	Lever	レバー (解除)	C	1		
8	A7AH941200	Label 2	ラベル 2	C	1		
9	A7AH626901	Handle	取手	C	1		
10	A7AH625200	Cover /Lower	カバー/下	C	1		
11	A7AH624300	Holder	ホルダ	D	1		
12	A7AH941001	Label Paper supply	ラベル 用紙補給	C	1		
13	A7AH630104	Paper feed Cassette	給紙カセット (A 3)	(Except Refresh Model)	D	1	
13	A7AH630200	CASSETTE : 2nd : PAPER FEED	給紙カセット (2 段目)	(Refresh Model)	D	1	
14	A161623400	Roll	ころ	D	1		
15	A7AH623201	Rail /Left	レール/左	D	1		
16	A7AHP00100	Label	ラベル (カセット・CD スケール1)	C	1		
17	A7AHP00200	Label	ラベル (カセット・FD スケール1)	C	1		
18	A7AHP00300	Label	ラベル (カセット・FD スケール2)	C	1		

2ND CASSETTE SECTION

改訂版 REVISED EDITION	日付 DATE
	DECEMBER 2016

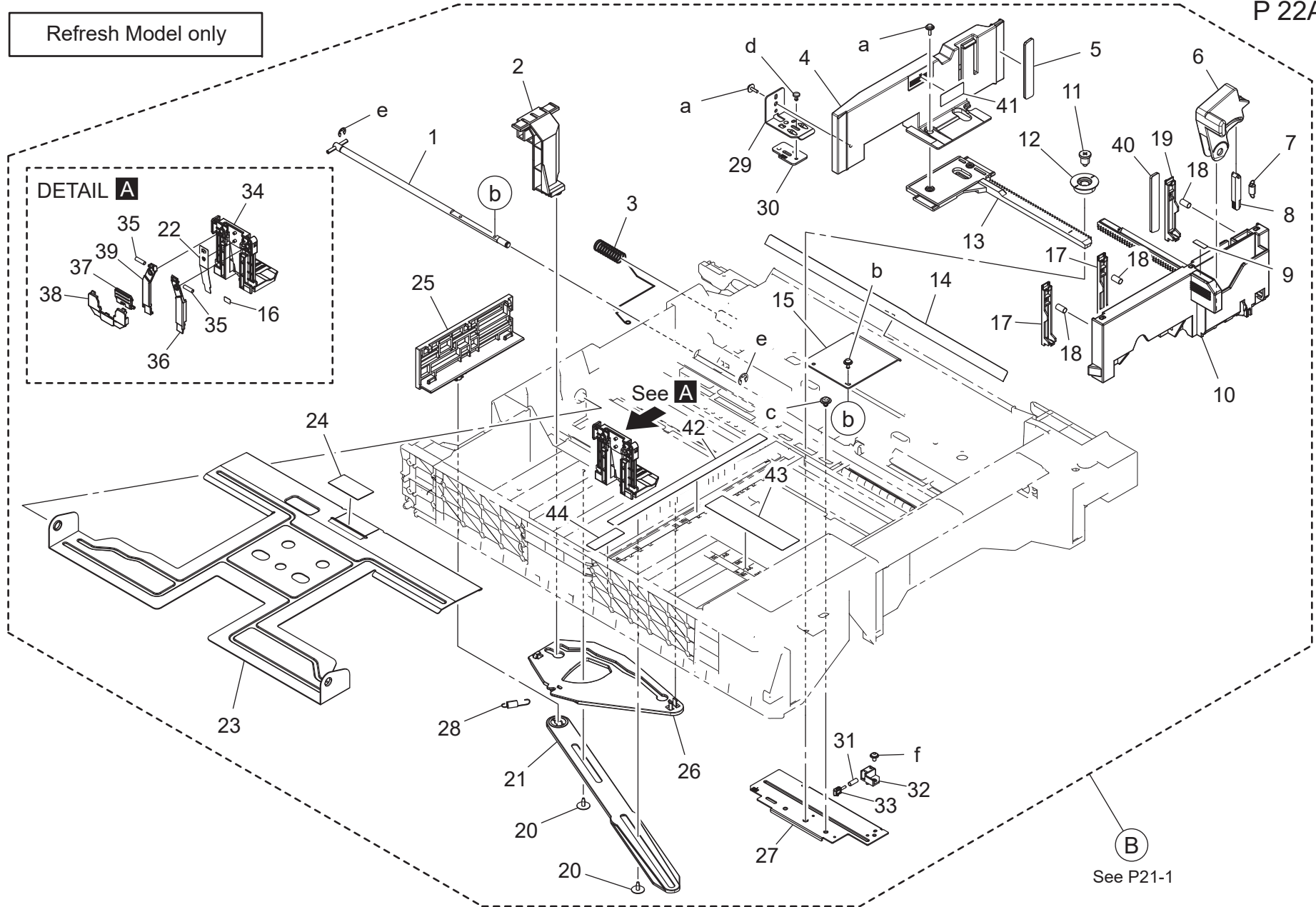


Key	Part No.	Description	Destinations	Class	QTY	Standard parts
1	A7AH621601Old	Lifting Shaft	押し上げ軸	D	1	a-V153030803 b-V125030803 c-V127040603 d-V143030603 e-V217040001
1	A7AH621612	Lifting Shaft	押し上げ軸	D	1	
2	A7AH623602	Lever	レバー	D	1	
3	A7AH622100	Ground Spring	アースばね	C	1	
4	A7AH620902Old	Regulating Plate /Rear	規制板/後	C	1	
4	A7AH620913	Regulating Plate /Rear	規制板/後	C	1	
5	A161624100	Cushion	クッション (ガイド)	C	2	
6	A7AH621300	Operation Lever	操作レバー	C	1	
7	A7AH621000	Pulling Coil spring	引張りコイルばね	C	1	
8	A7AH621200	Lock Lever	ロックレバー	D	1	
9	A161943000	Label	ラベル	C	1	
10	A7AH620801	Regulating Plate	規制板	C	1	
11	A7AH628200	Shoulder screw	段ねじ	C	1	
12	A161620701	Gear	ギア	D	1	
13	A7AH622401	Regulating Plate /Rear	規制板/奥	C	1	
14	A7AH629600	Guide	ガイド	C	1	
15	4030320601	LEVER	レバー	D	1	
16	A7AH941300	Label Position	ラベル セット位置	C	1	
17	A7AH621701	Regulating Plate	規制板	D	1	
18	A7AH623501	Lever	レバー	D	1	
19	A7AH620601	Adjusting Plate	調整板	D	1	
20	4163529301	SCREW	ねじ	C	2	
21	A7AH621401	Lever	レバー	D	1	
22	A7AH621801	Plate spring	板ばね	D	1	
23	A7AH620400	Lifting Plate	押し上げ板	D	1	
24	A7AH627000	Separating Sheet	分離シート	C	1	
25	A7AH622201	Detecting Plate	検出板	D	1	
26	A7AH621502	Bushing	すべり軸受	C	1	
28	A7AH623700	Pulling Coil spring	引張りコイルばね	C	1	
29	A7AH622600	Mounting Plate	取付板 (サイズ検知)	D	1	
30	A7AH622700	Adjusting Plate	調整板 (サイズ検知)	D	1	

2ND CASSETTE SECTION

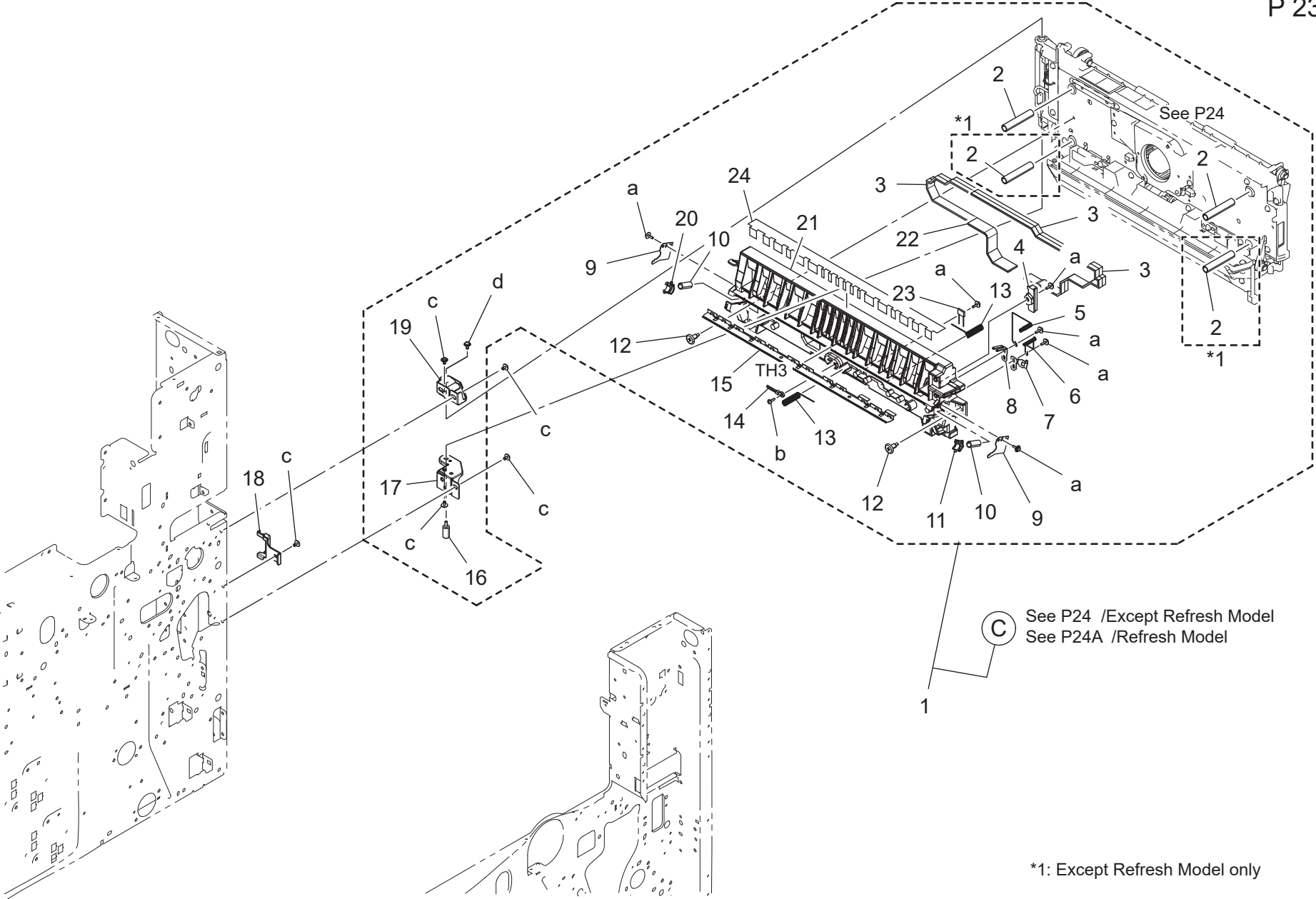
P 22A

Refresh Model only



Key	Part No.	Description	Destinations	Class	QTY	Standard parts
1	A7AH624600	SHAFT :LIFTING :BOTTOM PLATE :ASSY	押上げ軸 (Refresh Model)	D	1	a-V153030803
2	A7AH623602	Lever	レバー (Refresh Model)	D	1	b-V125030803
3	A7AH622100	Ground Spring	アースばね (Refresh Model)	C	1	c-V127040603
4	A7AH620913	Regulating Plate /Rear	規制板/後 (Refresh Model)	C	1	d-V143030603
5	A161624100	Cushion	クッション (ガイド) (Refresh Model)	C	1	e-V217040001
6	A795621301	Operation Lever	操作レバー (Refresh Model)	C	1	f-V127030604
7	A7AH621000	Pulling Coil spring	引張りコイルばね (Refresh Model)	C	1	
8	A7AH621200	Lock Lever	ロックレバー (Refresh Model)	D	1	
9	A161943000	Label	ラベル (Refresh Model)	C	1	
10	A795620800	Regulating Plate	規制板 (Refresh Model)	C	1	
11	A7AH628200	Shoulder screw	段ねじ (Refresh Model)	C	1	
12	A161620701	Gear	ギア (Refresh Model)	D	1	
13	A7AH622401	Regulating Plate /Rear	規制板/奥 (Refresh Model)	C	1	
14	A7AH629600	Guide	ガイド (Refresh Model)	C	1	
15	4030320601	LEVER	レバー (Refresh Model)	D	1	
16	A7AH941300	Label Position	ラベル セット位置 (Refresh Model)	C	1	
17	A795622600	Auxiliary Guide /2	補助ガイド/2 (Refresh Model)	C	2	
18	A795622700	Compressing Spring	圧縮ばね (Refresh Model)	C	3	
19	A795622500	Auxiliary Guide /1	補助ガイド/1 (Refresh Model)	C	1	
20	4163529301	SCREW	ねじ (Refresh Model)	C	2	
21	A7AH621401	Lever	レバー (Refresh Model)	D	1	
22	A7AH621801	Plate spring	板ばね (Refresh Model)	D	1	
23	A7AH620400	Lifting Plate	押上げ板 (Refresh Model)	D	1	
24	A7AH627000	Separating Sheet	分離シート (Refresh Model)	C	1	
25	A7AH622201	Detecting Plate	検出板 (Refresh Model)	D	1	
26	A7AH624500	LEVER : PAPER SIZE : CD dir : CASSE TTE	レバー (CD サイズ) (Refresh Model)	D	1	
27	A7AH620500	ADJUSTING PLATE : SIDE FENCE : CASS ETTE	調整板 (CD 規制) (Refresh Model)	D	1	
28	A7AH623700	Pulling Coil spring	引張りコイルばね (Refresh Model)	C	1	
29	A7AH622600	Mounting Plate	取付板 (サイズ検知) (Refresh Model)	D	1	
30	A7AH622700	Adjusting Plate	調整板 (サイズ検知) (Refresh Model)	D	1	
31	A795565900	Compressing Spring	圧縮ばね (Refresh Model)	C	1	
32	A795565700	Holder	ホルダ (Refresh Model)	C	1	
33	A795565800	Lever	レバー (Refresh Model)	C	1	
34	A7AH635000	BASE : END FENCE : CASSETTE	規制板 (後端) (Refresh Model)	D	1	
35	A795565500	Compressing Spring	圧縮ばね (Refresh Model)	C	2	
36	A7AH635100	STOPPER : END FENCE : FRONT	ストッパ/前 (Refresh Model)	D	1	
37	A7AH635400	LEVER : END FENCE : CASSETTE	レバー (FD 規制) (Refresh Model)	D	1	
38	A7AH635300	COVER : END FENCE : CASSETTE	カバー (FD 規制) (Refresh Model)	D	1	
39	A7AH635200	STOPPER : END FENCE : REAR	ストッパ/後 (Refresh Model)	D	1	
40	A795566000	Cushion	クッション (Refresh Model)	C	1	
41	A161943700	Label Max Level	ラベル 積載量 (Refresh Model)	C	1	
42	A7AH943500	Label	ラベル (カセット・FD スケール1) (Refresh Model)	C	1	
43	A7AH943400	Label	ラベル (カセット・CD スケール1) (Refresh Model)	C	1	
44	A7AH943600	Label	ラベル (カセット・FD スケール2) (Refresh Model)	C	1	

VERTICAL TRANSPORT SECTION



See P24 /Except Refresh Model
See P24A /Refresh Model

*1: Except Refresh Model only

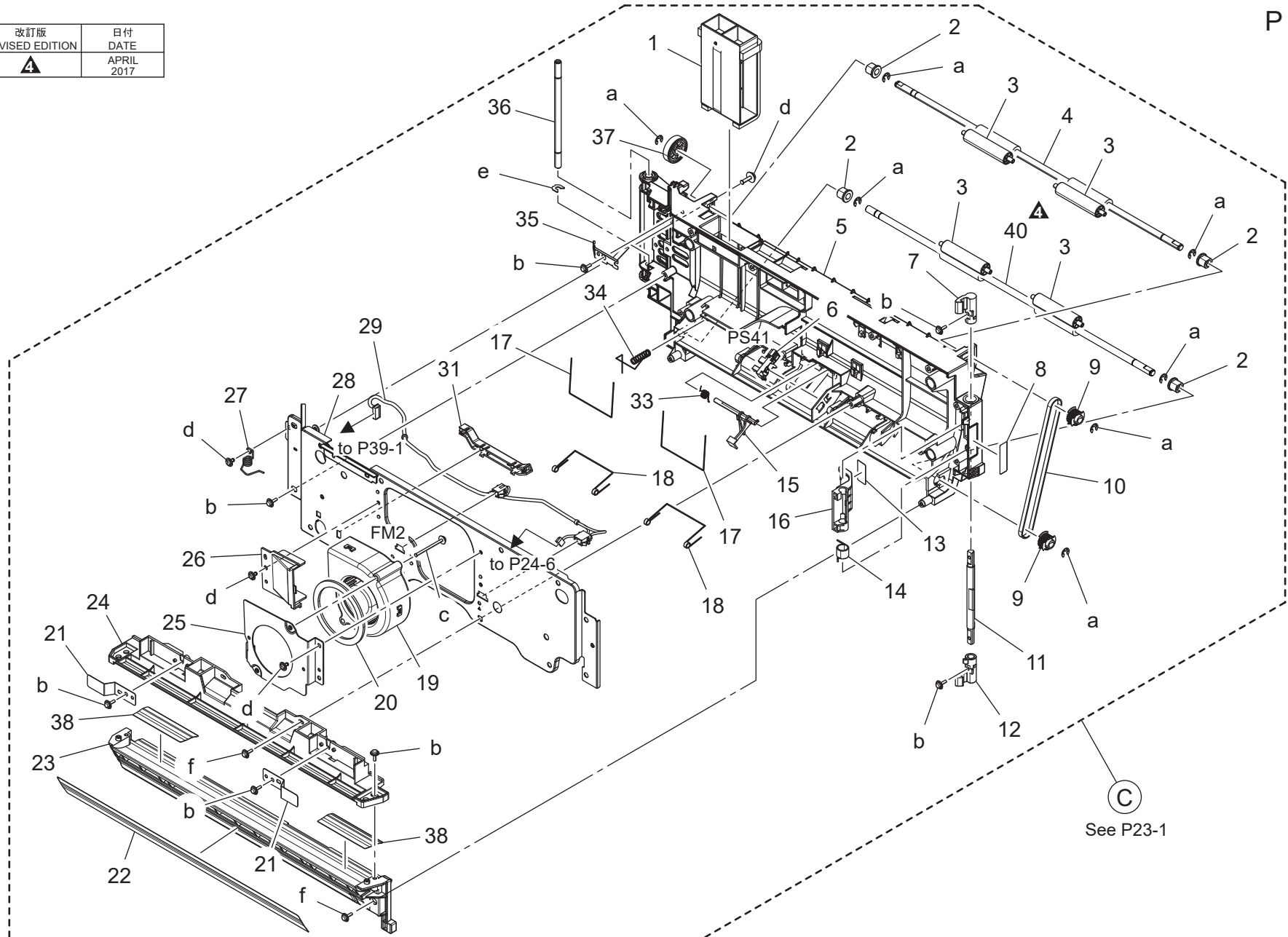
VERTICAL TRANSPORT SECTION

Key	Part No.	Description	Destinations	Class	QTY	Standard parts
1	A7AHR71900Old	Vertical Transport Assy		S	1	a-V153030803 b-V145030803 c-V144030603 d-V125030803
1	A7AHR71900	Vertical Transport Assy	(Except Refresh Model)	S	1	
1	A7AHPP3700	Vertical Transport Assy	(Refresh Model)	S	1	
2	A7AH707700	Compressing Spring	(Except Refresh Model)	D	4	
2	A7AHPP7000	Compressing Coil spring	(Refresh Model)	C	2	
3	A7AH708200	Seal		D	3	
4	A7AH704500	Holder		D	1	
5	A7AH704400	Contact		D	1	
6	A7AH703600	Contact		D	1	
7	A7AH700401	Contact		D	1	
8	A7AH700500	Contact		D	1	
9	A7AH707600	Reinforce Plate		D	2	
10	4030420701	PRESSURE SPRING		C	2	
11	A7AH703401	Holder		C	1	
12	A7AH708800	Shoulder screw		C	2	
13	A7AH701901	Compressing Coil spring		D	2	
14	9372271022	THERMISTOR		B	1	
15	1164420204	NEUTRALIZING NEEDLE		D	1	
16	A7AH817700	Shoulder screw		D	1	
17	A7AH816701	Mounting Plate	(Except Refresh Model)	D	1	
17	A7AHPP9100	Mounting Plate	(Refresh Model)	D	1	
18	A7AH817000	Cover		D	1	
19	A7AH816300	Mounting Plate	(Except Refresh Model)	D	1	
19	A7AHPP9000	Mounting Plate	(Refresh Model)	D	1	
20	A7AH703500	Holder		C	1	
21	A7AH700101	Conveyance Holder	(Except Refresh Model)	D	1	
21	A7AHPP7100	Guide	(Refresh Model)	D	1	
22	A7AH708500	Seal		D	1	
23	V800500300	FIXED POWER RESISTORS		D	1	
24	A7AH709900	Guide Sheet		C	1	

VERTICAL TRANSPORT SECTION

改訂版 REVISED EDITION	日付 DATE
	APRIL 2017

P 24

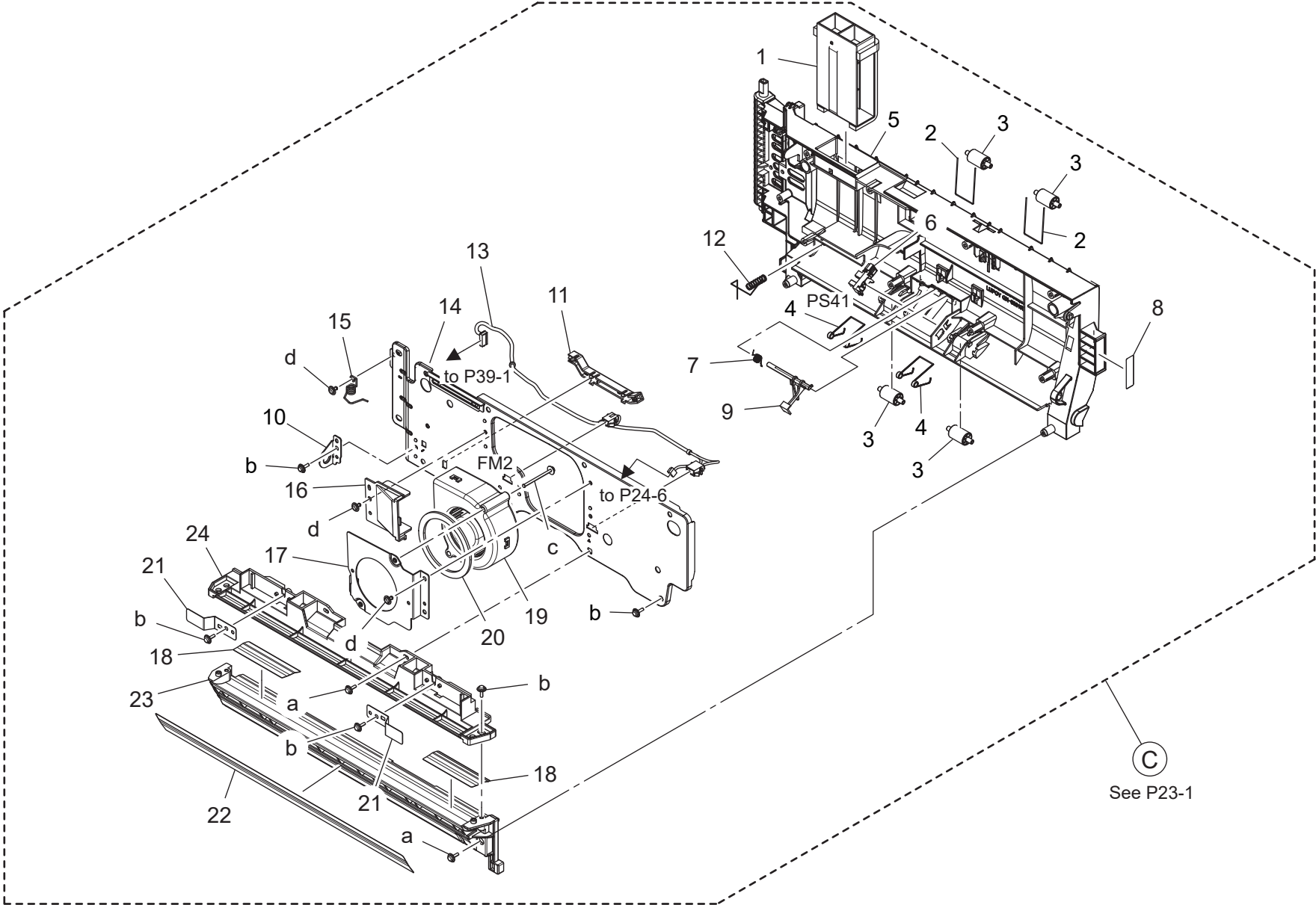


Key	Part No.	Description	Destinations	Class	QTY	Standard parts
1	A7AHR72000	Ozone filter		A	1	a-V217040001 b-V153030803 c-V116033503 d-V144030603 e-V218040086 f-V153031003
2	A02E815200	BUSHING		C	4	
3	A161825700	Idler Roller /A		D	4	
4	A7AH816500	Roller		C	1	
5	A7AH816002Old	Guide		D	1	
5	A7AH816013	Guide		D	1	
6	A5C1M50100	Photointerrupter		B	1	
7	A161711300	Lock Shaft /A		C	1	
8	A7AH944100	Label M2		C	1	
9	A0ED811700	Pulley 22T		C	2	
10	A7AH817301	Belt 296L		C	1	
11	A7AH701000	Shaft		D	1	
12	A161711500	Lock Shaft /C		C	1	
13	A7AH944000	Label M1		C	1	
14	A7AH701100	Spring		C	1	
15	A7AH813500	Actuator		C	1	
16	A7AH700901	Handle		C	1	
17	A161714600	Conveyance Spring /B		D	2	
18	A7AH812901	Spring		D	2	
19	9313130051	FAN MOTOR		B	1	
20	A7AH819100	Seal		C	1	
21	A0ED702400	Plate spring		D	2	
22	A7AH818100	Guide Sheet		C	1	
23	A7AH818000	Guide		D	1	
24	A7AH818200	Guide		D	1	
25	A7AH819000	Mounting Plate		D	1	
26	A7AH819200	Duct		D	1	
27	A7AH817101	Ground Spring		C	1	
28	A7AH816604Old	Reinforce Plate		D	1	
28	A7AH816615	Reinforce Plate		D	1	
29	A7AHN13000	Harness /Conveyance		D	1	
31	A7AH819502	Cover		D	1	
33	A7AH812800	Torsion Coil spring		C	1	
34	A7AH816200	Ground Spring		D	1	
35	A7AH816100	Ground Plate		D	1	
36	A7AH816400	Support Shaft		D	1	
37	A7AH817200	Gear		C	1	
38	A7AH818300	Guide		C	2	
40	A7AH818500	Roller		D	1	

VERTICAL TRANSPORT SECTION

Refresh Model only

P 24A

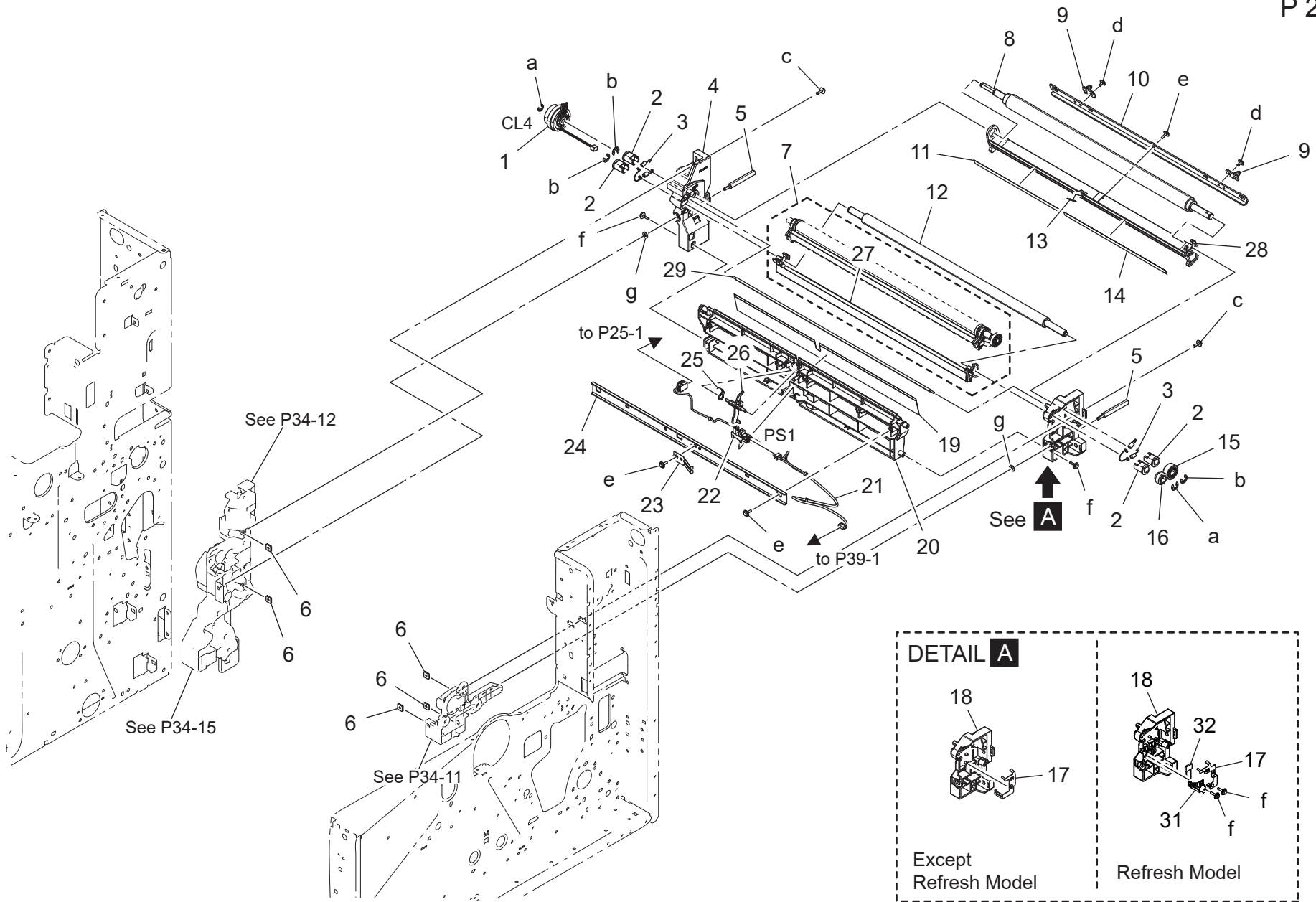


VERTICAL TRANSPORT SECTION

Key	Part No.	Description	Destinations	Class	QTY	Standard parts
1	A7AHR72000	Ozone filter	(Refresh Model)	A	1	a-V153031003 b-V153030803 c-V116033503 d-V144030603
2	A7AHP7500	Spring	(Refresh Model)	D	2	
3	A7AHP7400	Roll	(Refresh Model)	C	4	
4	A7AHP7600	Torsion Coil spring	(Refresh Model)	C	2	
5	A7AHP9400	Guide	(Refresh Model)	D	1	
6	A5C1M50100	Photointerrupter	(Refresh Model)	B	1	
7	A7AH812800	Torsion Coil spring	(Refresh Model)	C	1	
8	A7AH944100	Label M2	(Refresh Model)	C	1	
9	A7AH813500	Actuator	(Refresh Model)	C	1	
10	A7AHP9300	Mounting Plate	(Refresh Model)	D	1	
11	A7AH819502	Cover	(Refresh Model)	D	1	
12	A7AHP7800	Compressing Coil spring	(Refresh Model)	C	1	
13	A7AHN13000	Harness /Conveyance	(Refresh Model)	D	1	
14	A7AHP9200	Guide Plate	(Refresh Model)	D	1	
15	A7AH817101	Ground Spring	(Refresh Model)	C	1	
16	A7AH819200	Duct	(Refresh Model)	D	1	
17	A7AH819000	Mounting Plate	(Refresh Model)	D	1	
18	A7AH818300	Guide	(Refresh Model)	C	2	
19	9313130051	FAN MOTOR	(Refresh Model)	B	1	
20	A7AH819100	Seal	(Refresh Model)	C	1	
21	A0ED702400	Plate spring	(Refresh Model)	D	2	
22	A7AH818100	Guide Sheet	(Refresh Model)	C	1	
23	A7AH818000	Guide	(Refresh Model)	D	1	
24	A7AH818200	Guide	(Refresh Model)	D	1	

REGISTRATION SECTION


P 25

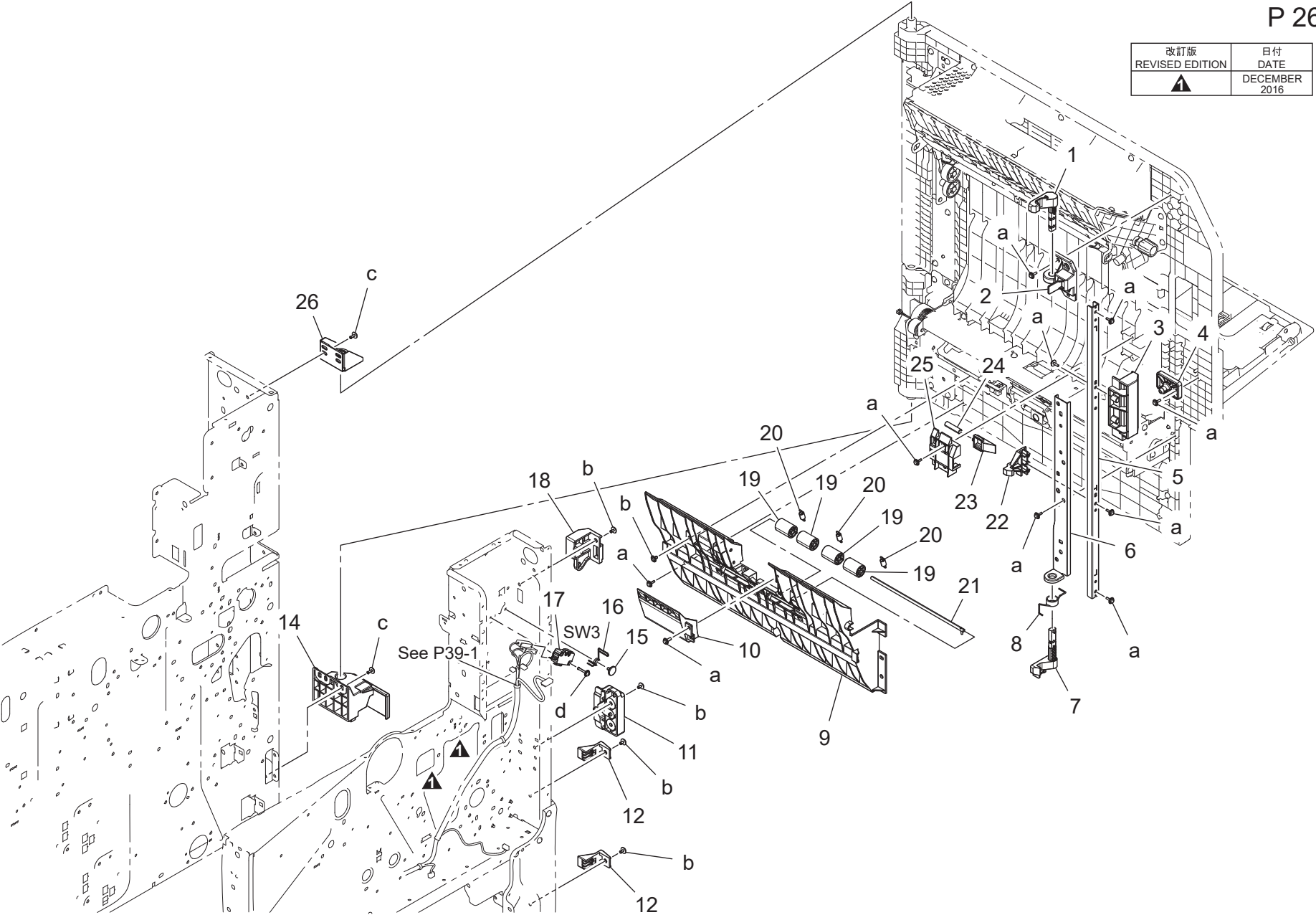


REGISTRATION SECTION

Key	Part No.	Description	Destinations	Class	QTY	Standard parts
1	A02EM20200	Clutch		B	1	a-V217040001 b-V217050001 c-V116031003 d-V144030803 e-V153030803 f-V153031003 g-V211030080
2	A7AH703201	Bushing		B	4	
3	A7AH703301	Registration Spring		C	2	
4	A7AH706902	Holder		D	1	
5	A7AH708900	Mounting Screw		C	2	
6	4002504202	PLATE NUT		D	5	
7	A7AHR72900	Image Transfer Roller Kit		A	1	
8	A7AH703001	Registration Roller		C	1	
9	A7AH708600	Lever		D	2	
10	A7AH708700	Reinforce Plate		D	1	
11	4038353701	GUIDE		C	1	
12	A7AH703101	Registration Roller	(Except Refresh Model)	C	1	
12	A7AHPB600	Registration Roller	(Refresh Model)	D	1	
13	4038353901	GUIDE		C	1	
14	A0ED700600	Guide Sheet		D	1	
15	A7AH707500	Gear 18T		B	1	
16	1164351501	GEAR 13T		B	1	
17	A7AH702200	Ground Plate	(Except Refresh Model)	D	1	
17	A7AHP7300	Ground Plate	(Refresh Model)	D	1	
18	A7AH707403	Holder	(Except Refresh Model)	D	1	
18	A7AHP7200	Holder	(Refresh Model)	D	1	
19	A7AH704101	Guide Sheet /Inside		C	1	
20	A7AH702002	Registration Guide /Inside		D	1	
21	A7AHN12400	Harness /Conveyance		D	1	
22	A5C1M50100	Photointerrupter		B	1	
23	A7AH708100	Ground Contact		D	1	
24	A7AH707300	Reinforce Plate		D	1	
25	A161701100	Spring /A		C	1	
26	A7AH701700	Registration Actuator		C	1	
27	A7AHR72100	Paper Powder Removal Assy		C	1	
28	A7AH702101	Registration Guide /Outside		D	1	
29	A7AH709200	Shaft		D	1	
31	A7AHPB700	Ground Plate	(Refresh Model)	D	1	
32	V800500300	FIXED POWER RESISTORS	(Refresh Model)	D	1	

VERTICAL CONVEYANCE DOOR SECTION

改訂版 REVISED EDITION	日付 DATE
	DECEMBER 2016



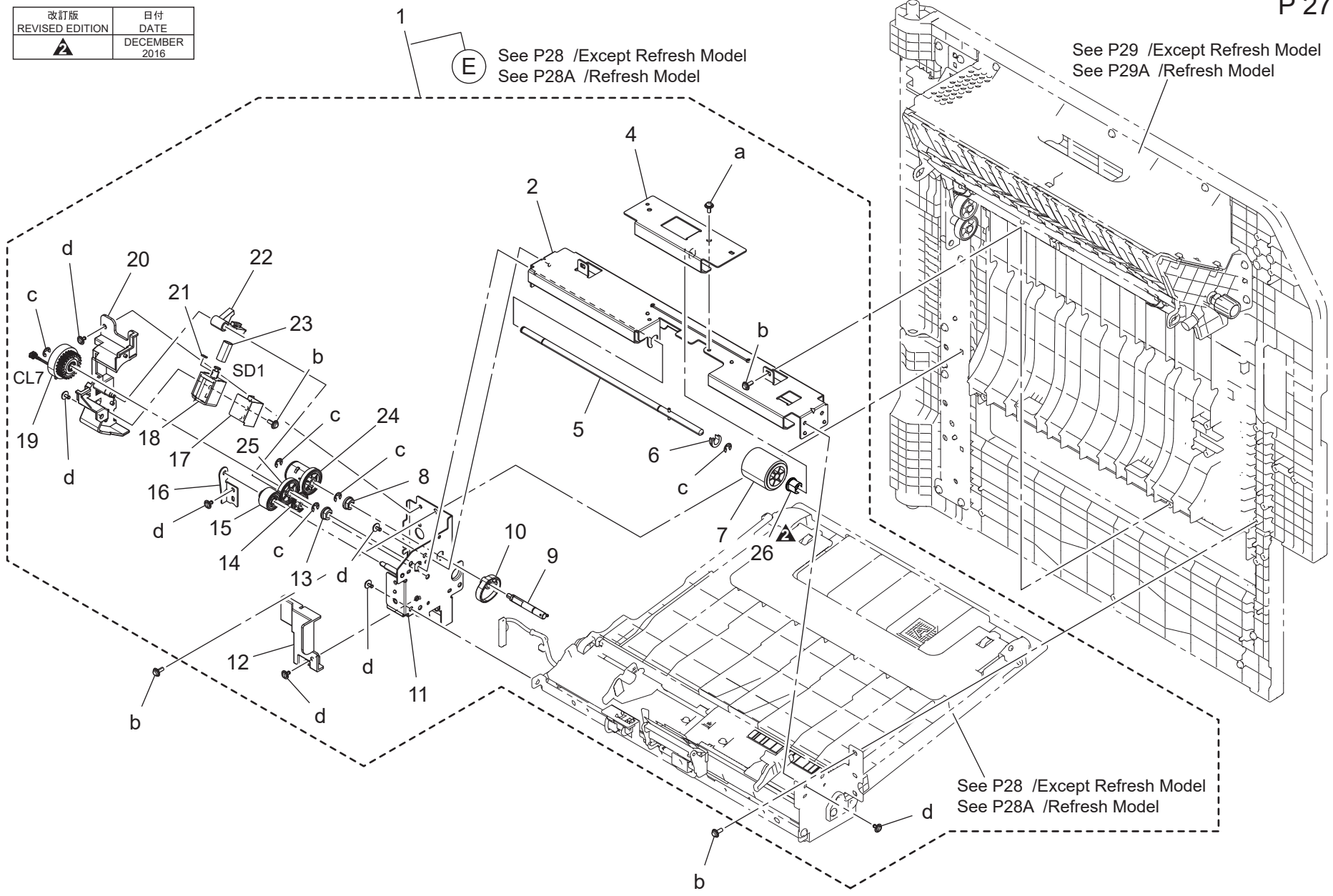
VERTICAL CONVEYANCE DOOR SECTION

Key	Part No.	Description	Destinations	Class	QTY	Standard parts
1	A0ED712100	Lock Claw		C	1	a-V153030803 b-V144030603 c-V144030803 d-V116031603
2	A7AH705201	Sensor Lever		C	1	
3	A7AH706700	Open/close Handle		C	1	
4	A7AH705301	Pin		D	1	
5	A7AH706000	Lock Plate		D	1	
6	A7AH705700	Reinforce Plate		D	1	
7	A7AH706500	Lock Claw /Lower		C	1	
8	A161815900	Torsion Coil spring		C	1	
9	A7AH705401	Paper feed Guide		D	1	
10	A7AH600700	Paper feed Guide		D	1	
11	A7AH706300	Positioning Part		D	1	
12	A7AH706400	Holder		D	2	
14	A7AH706201	Holder		D	1	
15	A161137100	Shoulder screw		D	1	
16	A161151200	Torsion Coil spring		D	1	
17	9J06M60100	MICRO SWITCH		C	1	
18	A7AH705502	Holder		D	1	
19	A161815400	Roll		C	4	
20	A64J815500	Pulling Spring		C	3	
21	A161815300	Shaft		D	1	
22	A7AH706600	Lock Claw /Middle		C	1	
23	A7AH705800	Open/close Claw		D	1	
24	A161815800	Swing Spring		C	1	
25	A7AH705900	Holder		D	1	
26	A7AH706101	Adjusting Plate		D	1	

BYPASS TRAY SECTION

改訂版 REVISED EDITION	日付 DATE
	DECEMBER 2016

P 27



See P28 /Except Refresh Model
See P28A /Refresh Model

See P29 /Except Refresh Model
See P29A /Refresh Model

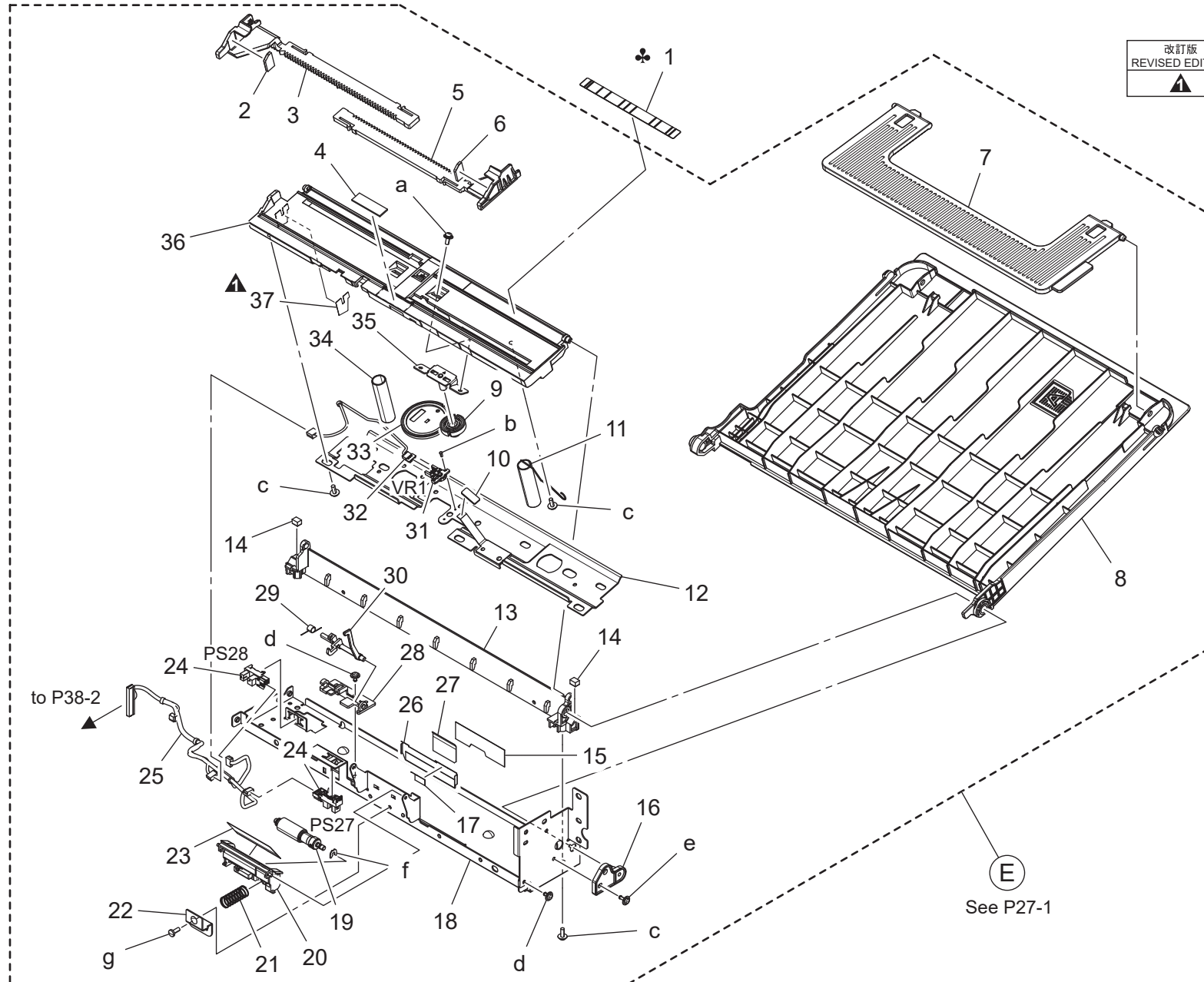
See P28 /Except Refresh Model
See P28A /Refresh Model

BYPASS TRAY SECTION

Key	Part No.	Description	Destinations	Class	QTY	Standard parts
1	A7AHR71600	Multiple Bypass Tray Assy	手差し A s s y (Except Refresh Model)	S	1	a-V116030804 b-V153030803 c-V217040001 d-V144030603
1	A7AHP3600	Multiple Bypass Tray Assy	手差し A s s y (Refresh Model)	S	1	
2	A7AH600400	Mounting Plate	取付板 (Except Refresh Model)	D	1	
2	A797603000	Mounting Plate	取付板 (Refresh Model)	D	1	
4	A7AH600300	Holder	ホルダ	D	1	
5	A7AH601100	Paper feed Shaft	給紙軸	D	1	
6	A161594400	Slide Stopper	スライドストッパ	C	1	
7	A00F623201	Roller	ローラ (給紙)	B	1	
8	A02E596300	Bushing	すべり軸受	C	1	
9	A7AH602701	Shaft	軸	D	1	
10	A161593300	Paper feed Cam	給紙カム	C	1	
11	A7AH600504	Drive Frame	駆動フレーム	D	1	
12	A7AH605100	Bypass Cover	手差しカバー	D	1	
13	1134304301	BUSHING	軸受	C	1	
14	A7AH603000	Gear 20T	ギア 20 T	C	1	
15	A7AH602200	Bypass Gear	手差しギア	C	1	
16	A7AH604101	Reinforce Plate	補強板	D	1	
17	A7AH604300	Cover	カバー	D	1	
18	A034M20100	Conveyance Solenoid	搬送ソレノイド	C	1	
19	A7AHM20401	Clutch	クラッチ (Z = 24)	C	1	
20	A7AH600801	Drive Cover	駆動カバー	D	1	
21	A7AH604900	Seal	シール	C	1	
22	A7AH603100	Lever	レバー	C	1	
23	A7AH603200	Compressing Coil spring	圧縮コイルばね	C	1	
24	A7AHR72711	Clutch Assy	クラッチ A s s y	C	1	
25	A7AH604700	Gear 24T	ギア 24 T	C	1	
26	A02E815200	BUSHING	軸受	C	1	

BYPASS TRAY SECTION

改訂版 REVISED EDITION	日付 DATE
▲	JANUARY 2018



BYPASS TRAY SECTION

Key	Part No.	Description	Destinations	Class	QTY	Standard parts	
1	A7AH943100	Label Metric	ラベル メトリック	A,A1,C,D1,D3,E,F2,G 1,I,J	C	1	a-V116030804 b-V111170403 c-V153030803 d-V144030603 e-V144030803 f-V218030086 g-V118030803
1	A7AH943200	Label Inch	ラベル インチ	B,G2	C	1	
2	A7AH604501	Brake Part	ブレーキ材		C	1	
3	A7AH601901	Regulating Plate /R	規制板 / R		C	1	
4	0978381101	FRICTION SHEET	摩擦板		C	1	
5	A7AH602001	Regulating Plate /L	規制板 / L		C	1	
6	A7AH604401	Brake Part /F	ブレーキ材 / F		C	1	
7	A161592200	Auxiliary Tray	補助トレイ		C	1	
8	A7AH600102	Tray	トレイ		C	1	
9	A02E592100	Gear 20T	ギヤ 20 T		C	1	
10	A161593800	Friction Plate	摩擦板		C	1	
11	A7AH603300	Compressing Coil spring	圧縮コイルばね		C	1	
12	A7AH601700	Mounting Plate	取付板		D	1	
13	A7AH604204	Support Holder	支点ホルダ		C	1	
14	A161594201	Cushion	クッション		D	2	
15	A161595100	Seal	シール		C	1	
16	A161591600	Hold Plate	保持板		C	1	
17	A161595600	Slide Guide	すべりガイド		C	1	
18	A7AH600601	Frame	フレーム		D	1	
19	4658015106	Roller Assy	ローラ ASSY		A	1	
20	A7AH601300	Holding	ホルダ		C	1	
21	4030347501	PRESSURE SPRING	圧縮コイルばね		C	1	
22	A7AH601400	Hold Plate	保持板		D	1	
23	A02E597600	Guide	ガイド (捌き後)		C	1	
24	A5C1M50100	Photointerrupter	透過型センサ		B	2	
25	A7AHN11901	Harness /Paper feed	給紙束線		D	1	
26	A161595300	Separating Plate	分離板		C	1	
27	4030340301	GUIDE	ガイド		C	1	
28	A161591100	Sensor Holder	センサホルダ		D	1	
29	A161591000	Torsion Spring	ねじりばね (PE)		C	1	
30	A7AH601202	Actuator	アクチュエータ		C	1	
31	A161M50400	VR	ボリューム		D	1	
32	A7AHN13200	Harness /Paper Detection	給紙検知束線		D	1	
33	A161594300	Regulating Gear 41T	規制ギア 41 T		C	1	
34	A7AH603400	Compressing Coil spring	圧縮コイルばね		C	1	
35	A7AHR71700	Mounting Plate	取付板		D	1	
36	A7AH600203	Lifting Plate	押上げ板		D	1	
37	A7AHP00600	Plate	検出板		D	1	

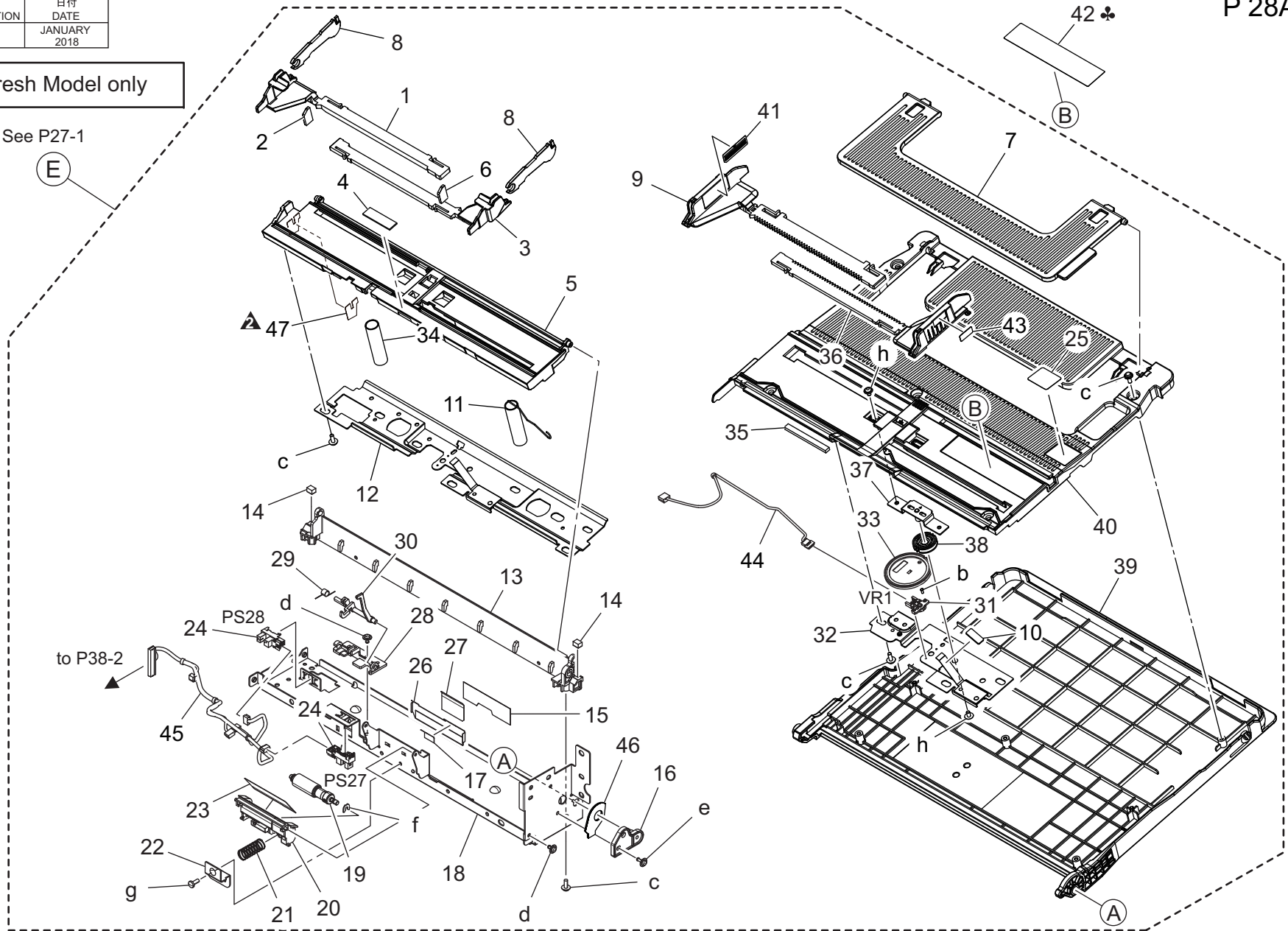
BYPASS TRAY SECTION

P 28A

改訂版 REVISED EDITION	日付 DATE
	JANUARY 2018

Refresh Model only


See P27-1

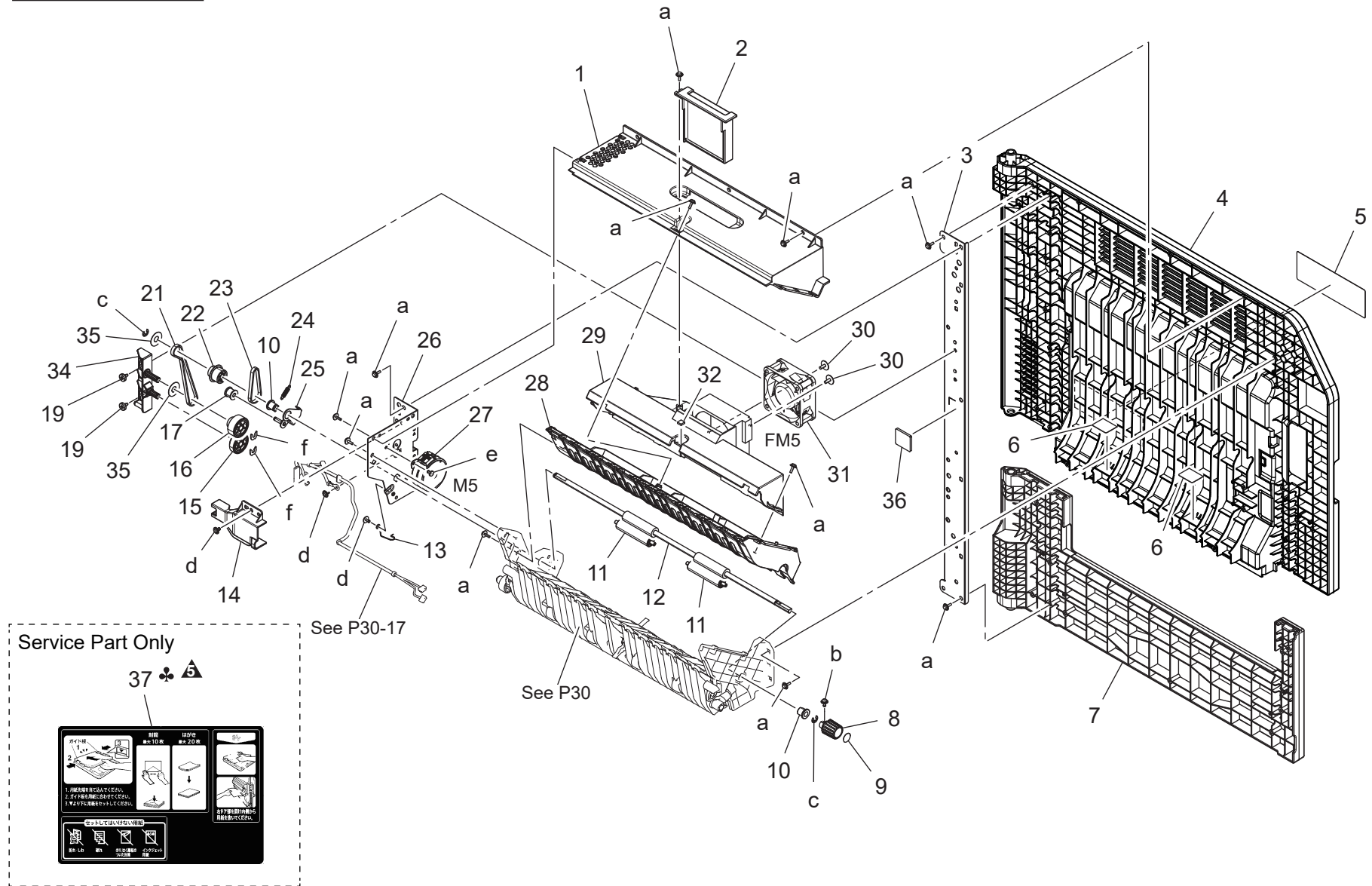


BYPASS TRAY SECTION

Key	Part No.	Description	Destinations	Class	QTY	Standard parts
1	A797603301	Regulating Plate /R	(Refresh Model)	C	1	a-V116030804
2	A7AH604501	Brake Part	(Refresh Model)	C	1	b-V111170403
3	A797603401	Regulating Plate /L	(Refresh Model)	C	1	c-V153030803
4	0978381101	FRICITION SHEET	(Refresh Model)	C	1	d-V144030603
5	A7AHPP6900	Lifting Plate	(Refresh Model)	D	1	e-V144030803
6	A7AH604401	Brake Part /F	(Refresh Model)	C	1	f-V218030086
7	A161592200	Auxiliary Tray	(Refresh Model)	C	1	g-V118030803
8	A797603701	Lever	(Refresh Model)	C	2	h-V127030604
9	A7AH606700	REAR FENCE : TRAY : MPT	(Refresh Model)	D	1	
10	A161593800	Friction Plate	(Refresh Model)	C	1	
11	A7AH603300	Compressing Coil spring	(Refresh Model)	C	1	
12	A797603200	Mounting Plate	(Refresh Model)	D	1	
13	A7AH604204	Support Holder	(Refresh Model)	C	1	
14	A161594201	Cushion	(Refresh Model)	D	2	
15	A161595100	Seal	(Refresh Model)	C	1	
16	A161591600	Hold Plate	(Refresh Model)	C	1	
17	A161595600	Slide Guide	(Refresh Model)	C	1	
18	A7AH600601	Frame	(Refresh Model)	D	1	
19	4658015106	Roller Assy	(Refresh Model)	A	1	
20	A7AH601300	Holding	(Refresh Model)	C	1	
21	4030347501	PRESSURE SPRING	(Refresh Model)	C	1	
22	A7AH601400	Hold Plate	(Refresh Model)	D	1	
23	A02E597600	Guide	(Refresh Model)	C	1	
24	A5C1M50100	Photointerrupter	(Refresh Model)	B	2	
25	A7AH943701	Label	(Refresh Model)	C	1	
26	A161595300	Separating Plate	(Refresh Model)	C	1	
27	4030340301	GUIDE	(Refresh Model)	C	1	
28	A161591100	Sensor Holder	(Refresh Model)	D	1	
29	A161591000	Torsion Spring	(Refresh Model)	C	1	
30	A7AH601202	Actuator	(Refresh Model)	C	1	
31	A161M50400	VR	(Refresh Model)	D	1	
32	A7AH606400	BKT : SENSOR : TRAY : MPT : ASSY	(Refresh Model)	D	1	
33	A161594300	Regulating Gear 41T	(Refresh Model)	C	1	
34	A7AH603400	Compressing Coil spring	(Refresh Model)	C	1	
35	A161592600	Holding Cover /2	(Refresh Model)	D	1	
36	A7AH606600	FRONT FENCE : TRAY : MPT	(Refresh Model)	D	1	
37	A7PUF60000	Mounting Plate	(Refresh Model)	D	1	
38	A7PU593500	Gear	(Refresh Model)	C	1	
39	A7AH606100	COVER : TRAY : MPT	(Refresh Model)	C	1	
40	A7AHPP6800	Tray /Upper	(Refresh Model)	C	1	
41	A7PU944500	Label	(Refresh Model)	C	1	
42	A797944100	Label Metric	(Refresh Model)	C	1	A,A1,C,D1,D3,E,F2,G 1,I,J
42	A797944200	Label Inch	(Refresh Model)	C	1	B,G2
43	A161943000	Label	(Refresh Model)	C	1	
44	A7AHPPC400	Harness	(Refresh Model)	D	1	
45	A7AHPPC300	Harness	(Refresh Model)	D	1	
46	A7AHPPC700	Cushion	(Refresh Model)	C	1	
47	A7AHP00600	Plate	(Refresh Model)	D	1	

REVERSAL SECTION

改訂版 REVISED EDITION	日付 DATE
	JULY 2017



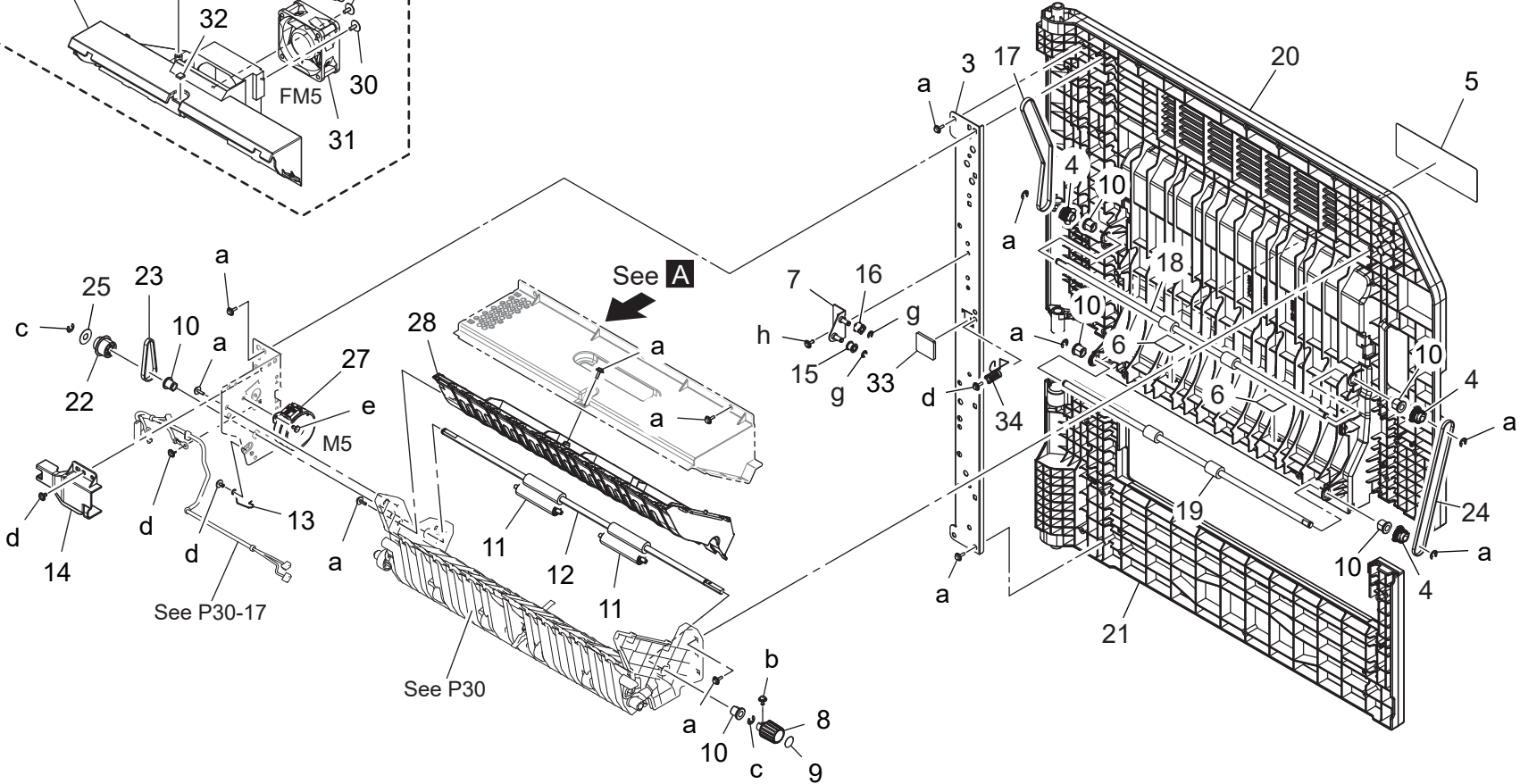
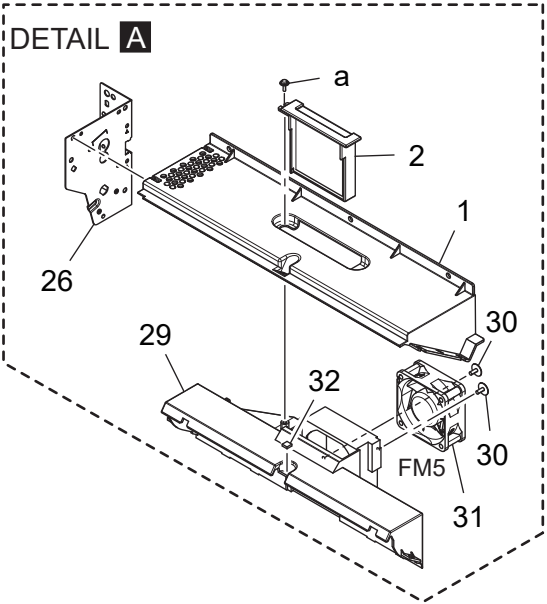
REVERSAL SECTION

Key	Part No.	Description	Destinations	Class	QTY	Standard parts
1	A7AH813200	Cover /Upper		D	1	a-V153030803 b-V125030803 c-V217040001 d-V144030603 e-V143030603 f-V218040086
2	A7AHR71800	Stench filter Assy		C	1	
3	A7AH705600Old	Reinforce Plate		D	1	
3	A7AH705611Old	Reinforce Plate		D	1	
3	A7AH705623	Reinforce Plate		D	1	
4	A7AH705002	Door /Upper		C	1	
5	A7AH943000	Label Paper supply		C	1	
6	A7AH709000	Seal		C	2	
7	A7AH705100	Door /Lower		C	1	
8	A161814700	Knob /A		C	1	
9	A7AH944200	Label M4		C	1	
10	A02E815200	BUSHING		C	2	
11	A161825700	Idler Roller /A		D	2	
12	A7AH814000Old	Roller /B		C	1	
12	A7AH814011	Roller /B		C	1	
13	A7AH813600	Ground Contact		D	1	
14	A7AH814901	Cover		D	1	
15	A7AH814700	Gear 23T		C	1	
16	A7AH814600	Gear 23T		C	1	
17	A7AH815601	Roll		C	1	
19	4038218401	SHOULDER SCREW		C	2	
21	A7AH814500	Belt 222L		C	1	
22	A7AH814400	Pulley 22/27T		C	1	
23	A7AH814300	Belt 112L		C	1	
24	A7AH815700	Pulling Coil spring		C	1	
25	A7AH815500	Mounting Plate		D	1	
26	A7AH814100	Drive Side plate		D	1	
27	A7AHM10700	Stepping motor		C	1	
28	A7AH813102	Guide /Upper		D	1	
29	A7AH145401	Duct		D	1	
30	4163529301	SCREW		C	2	
31	4556M10000	Fan Motor		B	1	
32	A7AH892300	Cushion		C	1	
34	A7AH815100	Drive Plate		D	1	
35	A7AH815200	Washer		D	2	
36	A7AH709100	Cushion		C	1	
37	A7PU944600	Label	A,A1	C	1	

REVERSAL SECTION

P 29A

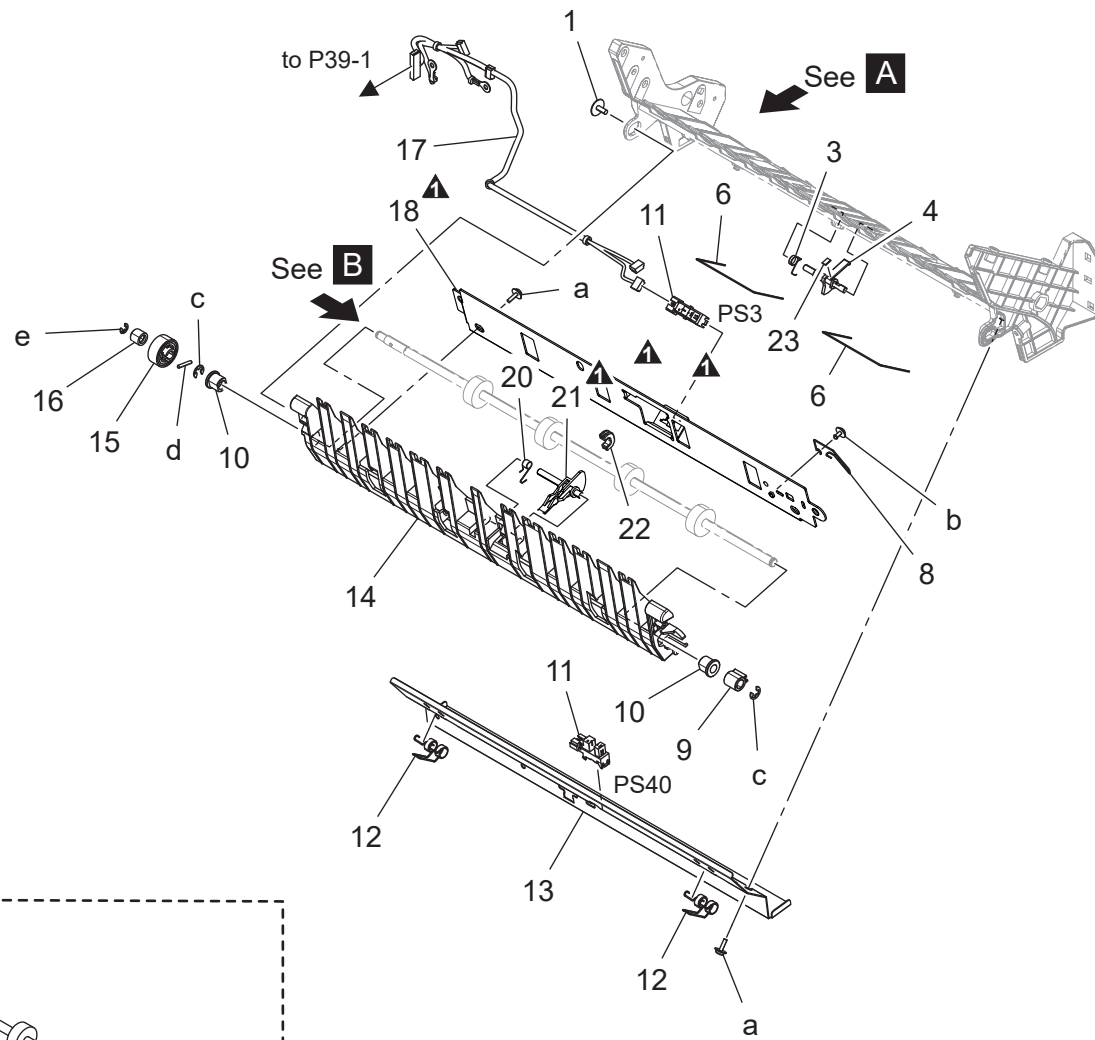
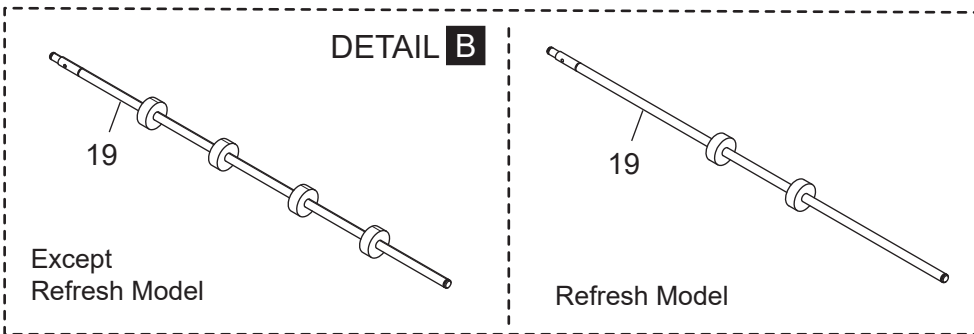
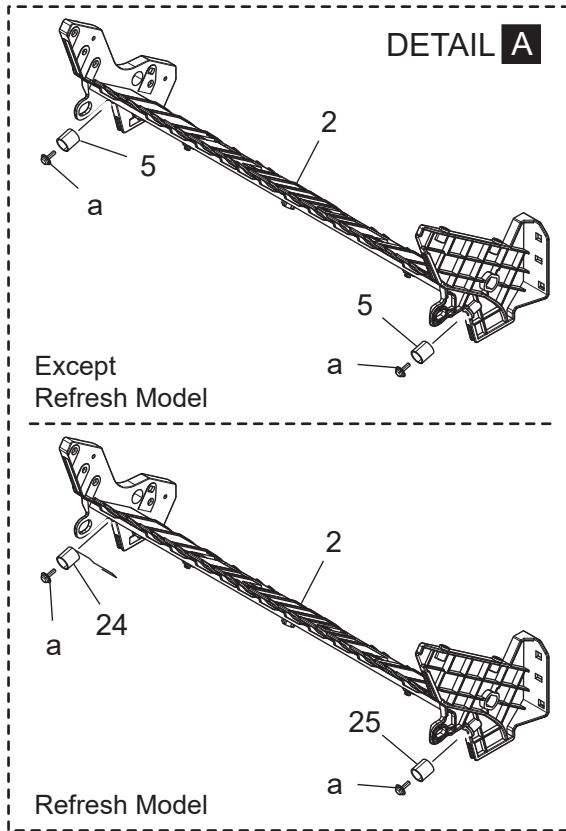
Refresh Model only



REVERSAL SECTION

Key	Part No.	Description	Destinations	Class	QTY	Standard parts
1	A7AH813200	Cover /Upper	(Refresh Model)	D	1	a-V153030803 b-V125030803 c-V217040001 d-V144030603 e-V143030603 g-V217030001 h-V144030803
2	A7AHR71800	Stench filter Assy	(Refresh Model)	C	1	
3	A7AH705623	Reinforce Plate	(Refresh Model)	D	1	
4	A0ED811700	Pulley 22T	(Refresh Model)	C	3	
5	A7AH943000	Label Paper supply	(Refresh Model)	C	1	
6	A7AHPPB800	Sheet	(Refresh Model)	C	2	
7	A7AHPP7900	Mounting Plate	(Refresh Model)	D	1	
8	A161814700	Knob /A	(Refresh Model)	C	1	
9	A7AH944200	Label M4	(Refresh Model)	C	1	
10	A02E815200	BUSHING	(Refresh Model)	C	6	
11	A161825700	Idler Roller /A	(Refresh Model)	D	2	
12	A7AH814011	Roller /B	(Refresh Model)	C	1	
13	A7AH813600	Ground Contact	(Refresh Model)	D	1	
14	A7AH814901	Cover	(Refresh Model)	D	1	
15	A7AHPP8000	Roll	(Refresh Model)	C	1	
16	A7AHPP8100	Pulley 15T	(Refresh Model)	C	1	
17	A7AHPP8200	Timing Belt	(Refresh Model)	C	1	
18	A7AHPP8800	Roller	(Refresh Model)	C	1	
19	A7AHPP8900	Roller	(Refresh Model)	C	1	
20	A7AHPP9500	Door /Upper	(Refresh Model)	C	1	
21	A7AHPP9600	Door /Lower	(Refresh Model)	C	1	
22	A7AH814400	Pulley 22/27T	(Refresh Model)	C	1	
23	A7AH814300	Belt 112L	(Refresh Model)	C	1	
24	A7AH817301	Belt 296L	(Refresh Model)	C	1	
25	A7AH815200	Washer	(Refresh Model)	D	1	
26	A7AH814100	Drive Side plate	(Refresh Model)	D	1	
27	A7AHM10700	Stepping motor	(Refresh Model)	C	1	
28	A7AH813102	Guide /Upper	(Refresh Model)	D	1	
29	A7AH145401	Duct	(Refresh Model)	D	1	
30	4163529301	SCREW	(Refresh Model)	C	2	
31	4556M10000	Fan Motor	(Refresh Model)	B	1	
32	A7AH892300	Cushion	(Refresh Model)	C	1	
33	A7AH709100	Cushion	(Refresh Model)	C	1	
34	A7AHPP7700	Ground Spring	(Refresh Model)	D	1	

REVERSAL SECTION



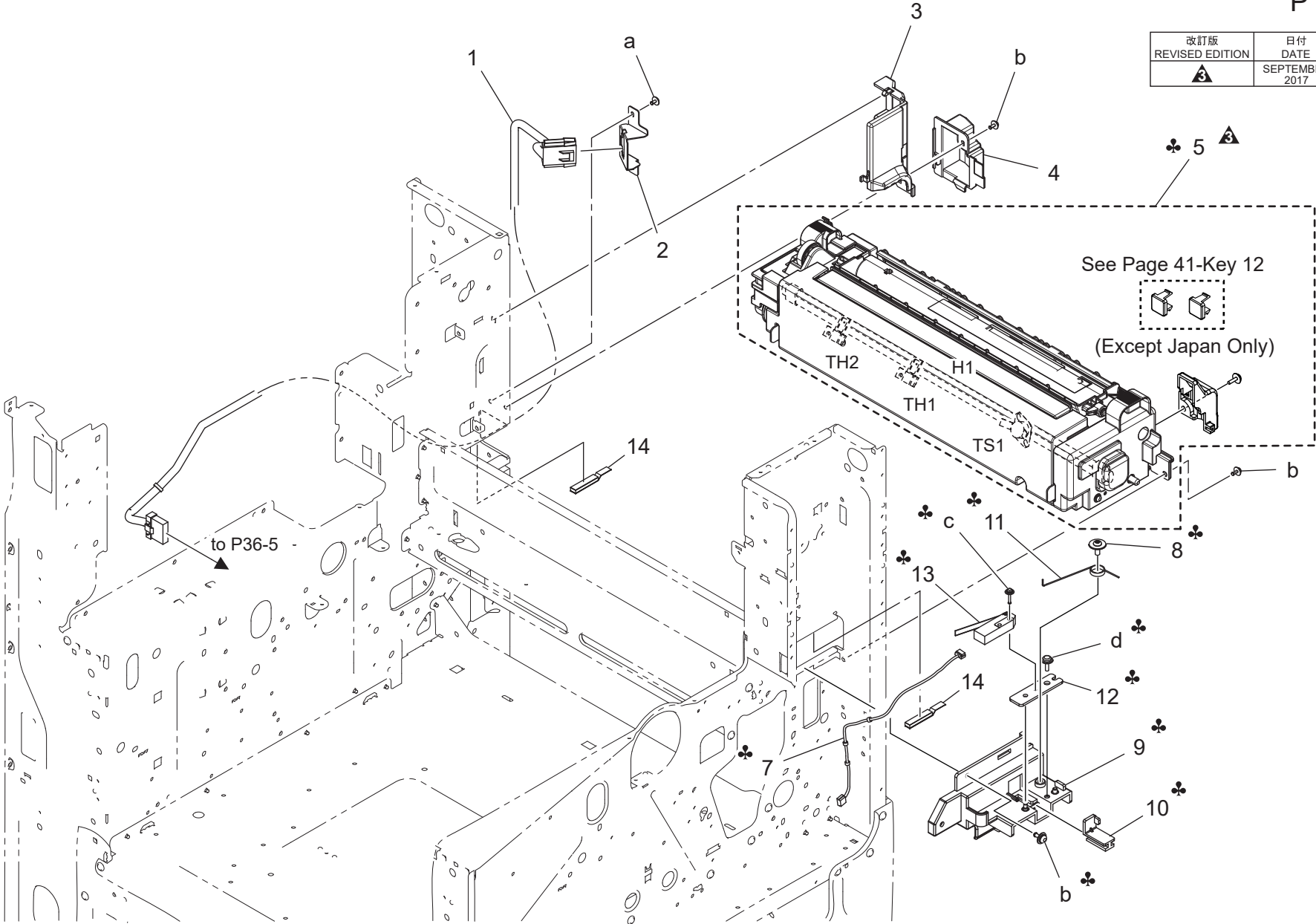
改訂版 REVISED EDITION	日付 DATE
	SEPTEMBER 2017

REVERSAL SECTION

Key	Part No.	Description	Destinations	Class	QTY	Standard parts
1	4163529301	SCREW		C	1	a-V153030803 b-V144030603 c-V217040001 d-V234201250 e-V217030001
2	A7AH813001	Guide /Lower		D	1	
3	A161712800	Spring /D		D	1	
4	A161813200	Actuator		C	1	
5	A161813600	Pressing Spring /A	(Except Refresh Model)	C	2	
6	A0ED815100	Holding Part		D	2	
8	A161819400	Contact /C		D	1	
9	A161814500	Bushing /B		C	1	
10	A02E815200	BUSHING		C	2	
11	A5C1M50100	Photointerrupter		B	2	
12	A161813400	Torsion Coil spring		D	2	
13	A7AH813300	Mounting Plate	(Except Refresh Model)	D	1	
13	A7AHPP8700	Mounting Plate	(Refresh Model)	D	1	
14	A7AH893102	Guide Plate	(Except Refresh Model)	D	1	
14	A7AHPPA300	Guide Plate	(Refresh Model)	D	1	
15	A7AH891100	Gear 18T		C	1	
16	A7AH893400	Collar		C	1	
17	A7AHN11802	Harness /Conveyance		D	1	
18	A7AH893301Old	Mounting Plate		D	1	
18	A7AH893302	Mounting Plate /2		D	1	
19	A7AH893000	Paper exit Roller	(Except Refresh Model)	C	1	
19	A7AHPPA000	Paper exit Roller	(Refresh Model)	C	1	
20	A161813100	Torsion Coil spring		C	1	
21	A7AH894000Old	Actuator		C	1	
21	A7AH894001	Actuator		C	1	
22	A161819500	Bushing /C		C	1	
23	A7AH819400	Seal		C	1	
24	A7AHPPB900	Compressing Coil spring	(Refresh Model)	D	1	
25	A161813600	Pressing Spring /A	(Refresh Model)	C	1	

FUSING SECTION

改訂版 REVISED EDITION	日付 DATE
	SEPTEMBER 2017

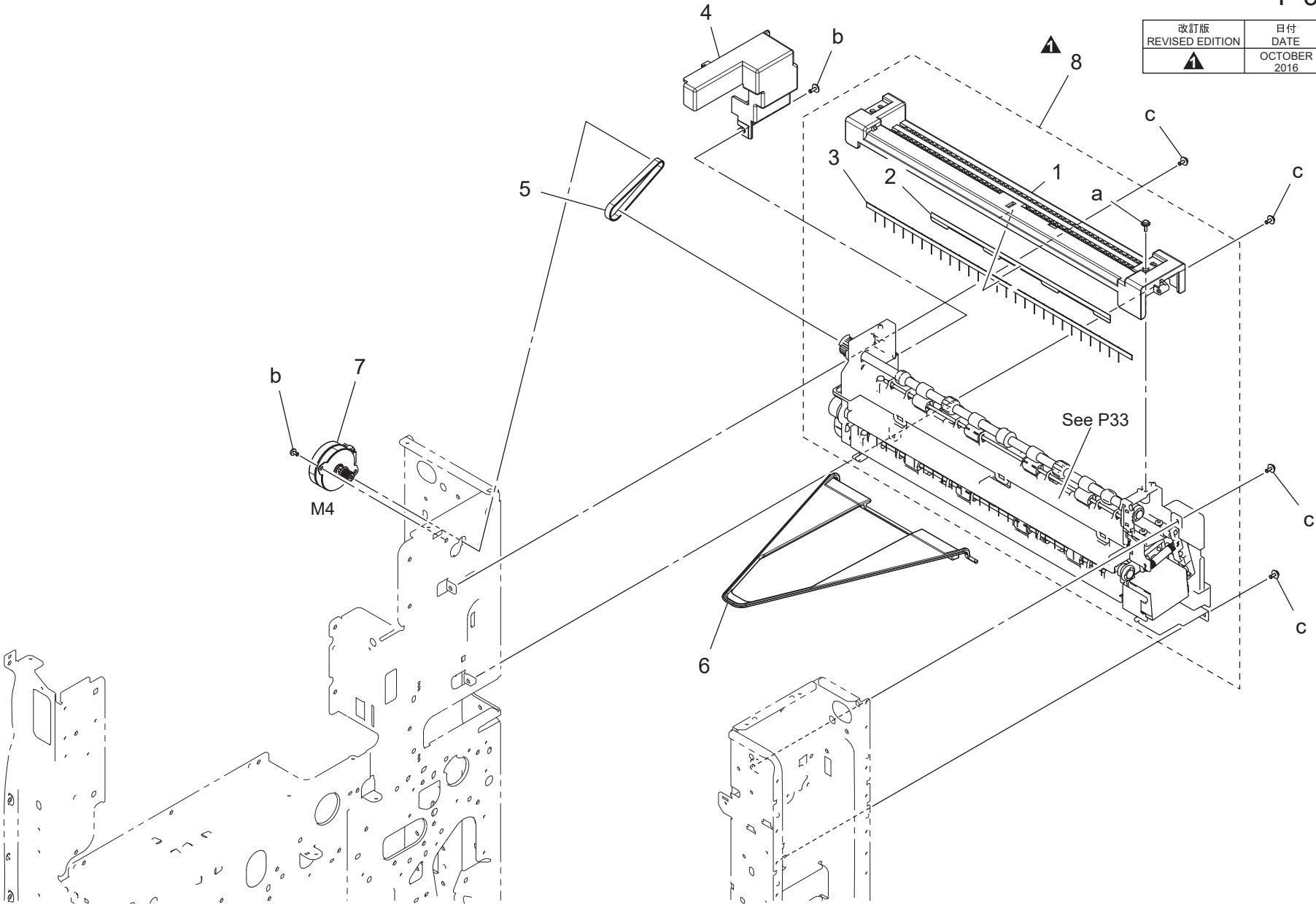


FUSING SECTION

Key	Part No.	Description	Destinations	Class	QTY	Standard parts
1	A7AHN10401	Harness /Fixing Relay	定着中継束線	D	1	a-V144030603 b-V125030803 c-V116021003 d-V153030803
2	A7AH134500	Mounting Plate	取付板	D	1	
3	A7AH133201	Cover	カバー (定着サーミスタ)	D	1	
4	A7AH133101	Cover	カバー	D	1	
5	A7AHR72211	Fusing Unit /100V	定着ユニット/100V	A	1	
5	A7AHR72311	Fusing Unit /120V	定着ユニット/120V	B,G2	1	
5	A7AHR72411	Fusing Unit /220-240V	定着ユニット/220-240V	C,D1,D3,E,F2,G1,I,J	1	
5	A7AHPP3800	Fusing Unit/120V	定着ユニット/120V	B,G2	1	
5	A7AHPP3900	Fusing Unit /220-240V	定着ユニット/220-240V	C,D1,D3,E,F2,G1,I,J	1	
5	A7AHPP4000	Fusing Unit/100V	定着ユニット/100V	A,A1	1	
7	A7AHN16400	Fixing Detection harness	定着検知束線	A,A1	1	
8	4163529301	SCREW	ねじ	A,A1	1	
9	A7AH131500	Holder	ホルダ (圧検出 SW)	A,A1	1	
10	A7AH131600	Slide Lever	スライドレバー (圧検知)	A,A1	1	
11	A7AH131700	Torsion Coil spring	ねじリコイルばね	A,A1	1	
12	A7AH131800	Mounting Plate	取付板 (SW)	A,A1	1	
13	A7AHM60200	Micro switch	マイクロスイッチ	A,A1	1	
14	A7AH102500	Cushion	クッション	C	2	

PAPER EXIT SECTION

改訂版 REVISED EDITION	日付 DATE
▲	OCTOBER 2016

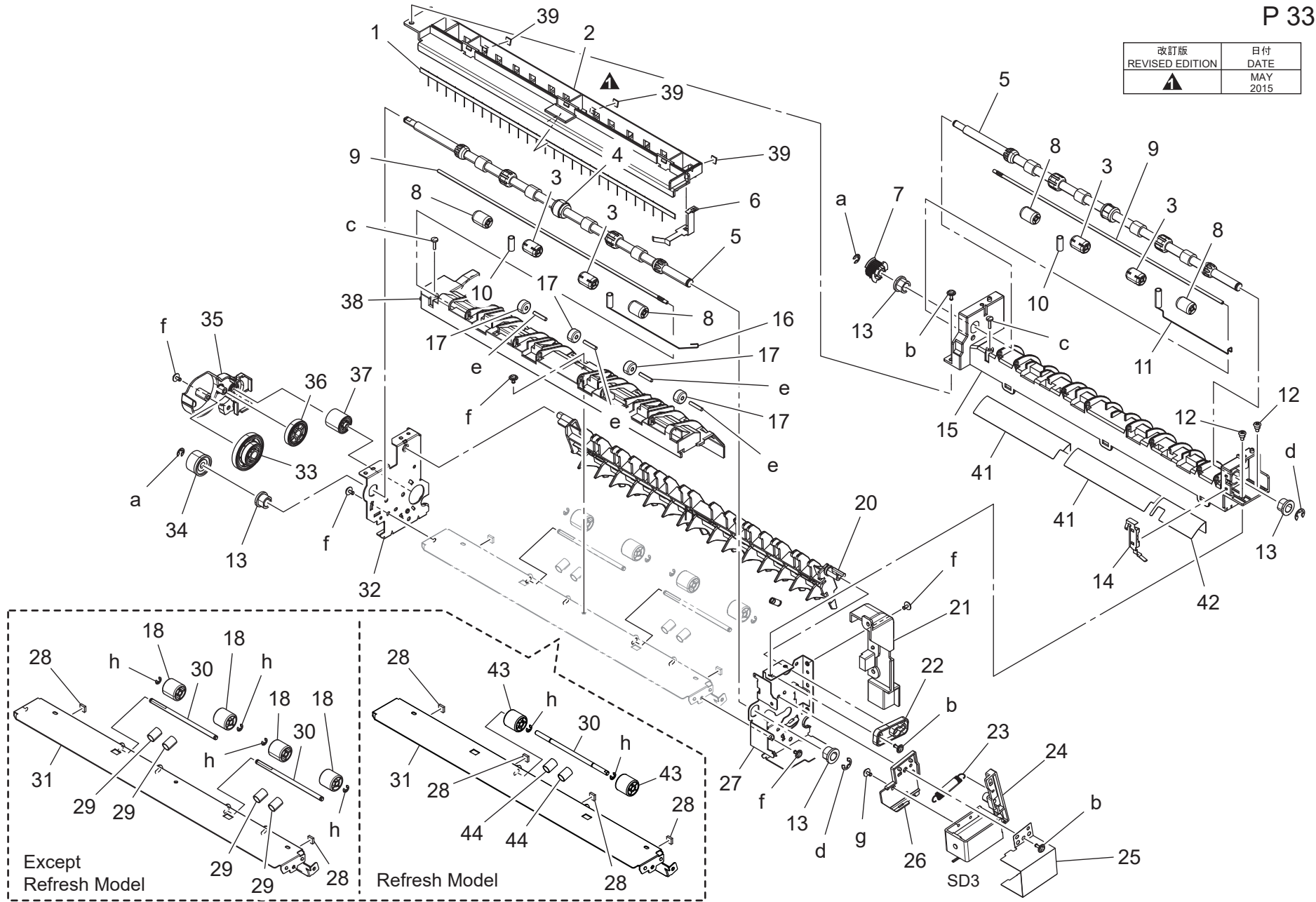


PAPER EXIT SECTION

Key	Part No.	Description	Destinations	Class	QTY	Standard parts
1	A7AH810201	Cover		C	1	a-V153030803 b-V143030603 c-V125030803
2	A161894100	Sheet		D	1	
3	A161894000	Neutralizing Brush	(Except Refresh Model)	C	1	
3	A7AHPPA200	Neutralizing Brush	(Refresh Model)	C	1	
4	A7AH162700	Cover	(Except Refresh Model)	C	1	
4	A7AHPP6400	Cover	(Refresh Model)	C	1	
5	A7AH811200	Timing belt 164L		C	1	
6	A161897200	Guide Part		C	1	
7	A7AHM10700	Stepping motor		C	1	
8	A7AHR73700	Paper Exit Assy	(Except Refresh Model)	S	1	
8	A7AHPP4100	Paper Exit Assy	(Refresh Model)	S	1	

PAPER EXIT SECTION

改訂版 REVISED EDITION	日付 DATE
	MAY 2015

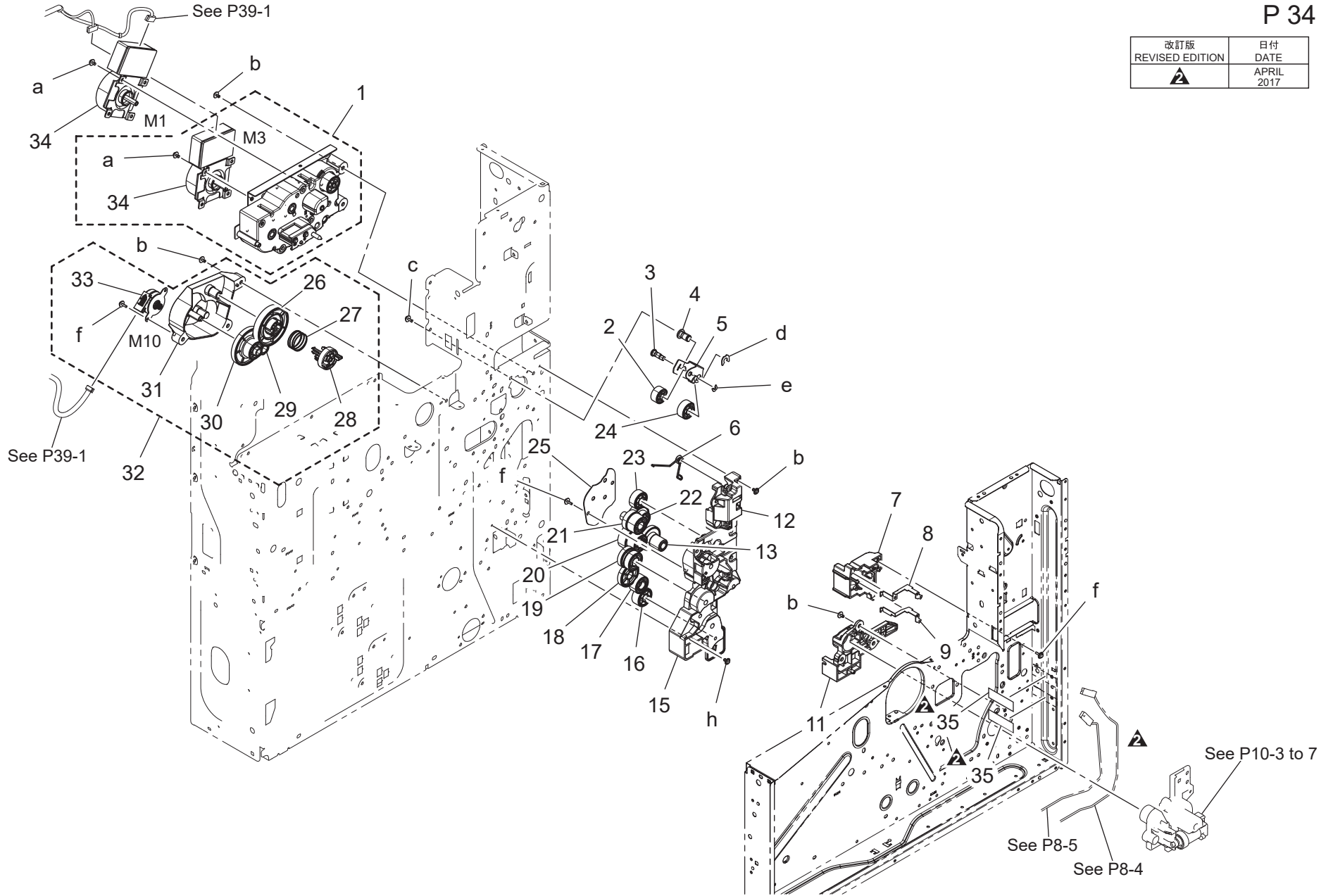


PAPER EXIT SECTION

Key	Part No.	Description	Destinations	Class	QTY	Standard parts	
1	A161894000	Neutralizing Brush	除電ブラシ	(Except Refresh Model)	C	1	a-V217040001 b-V144030803 c-V149031003 d-V217060001 e-V234301650 f-V144030603 g-V127030604 h-V217030001
1	A7AHPPA200	Neutralizing Brush	除電ブラシ	(Refresh Model)	C	1	
2	A7AH890300	Guide	ガイド		D	1	
3	A7AH892000	Roll	ころ		C	4	
4	A7AH891901	Collar	カラー		C	1	
5	A7AH891000	Roller	ローラ		D	2	
6	A7AH895601	Ground Contact /Lower	アース接点／下		D	1	
7	A7AH811100	Pulley	プーリ		C	1	
8	4004590301	ROLL	ころ		C	4	
9	A797893000	Shaft	軸		D	2	
10	A161892400	Spring	ばね (排紙)		C	2	
11	A7AH811300	Ground Spring	アースばね		C	1	
12	1164202801	SHOULDER SCREW	段ねじ		D	2	
13	A0ED891100	Bushing	すべり軸受		D	4	
14	A7AH811500	Ground Contact /Upper	アース接点／上		D	1	
15	A7AH810102	Guide	ガイド		C	1	
16	A7AH891500	Ground Spring	アースばね		C	1	
17	A0ED897700	Collar	カラー (排紙)		C	4	
18	A1UD721500	Roll	ころ	(Except Refresh Model)	C	4	
19	A7AH891800	Pulling Coil spring	引張りコイルばね		C	1	
20	A7AH812002	Paper exit Guide	排紙ガイド		C	1	
21	A7AH892200	Cover	カバー		D	1	
22	A161891000	Bushing	すべり軸受		D	1	
23	A7AH890800	Pulling Coil spring	引張りコイルばね		C	1	
24	A7AHR72500	Solenoid Assy	ソレノイド A s s y		C	1	
25	A7AH890700	Cover	カバー		D	1	
26	A7AH890900	Mounting Plate	取付板		D	1	
27	A7AH890402	Panel /Front	パネル／前		D	1	
28	A7AH892300	Cushion	クッション	(Except Refresh Model)	C	2	
28	A7AHPPA100	Cushion	クッション	(Refresh Model)	C	4	
29	A1UD722700	Compressing Coil spring	圧縮コイルばね	(Except Refresh Model)	C	4	
30	A7AH892101	Shaft	軸	(Except Refresh Model)	D	2	
30	A7AHPP9900	Shaft	軸	(Refresh Model)	D	1	
31	A7AH890200	Reinforce Plate	補強板	(Except Refresh Model)	D	1	
31	A7AHPP9800	Guide Plate	ガイド板	(Refresh Model)	D	1	
32	A7AH890501	Panel /Rear	パネル／後		D	1	
33	A7AH891200	Gear 21/35T	ギア 21 / 35 T		C	1	
34	A7AH891700	Gear 18T	ギア 18 T		C	1	
35	A7AH891400	Drive Holder	駆動ホルダ		D	1	
36	A02F897200	Gear 24T	ギヤ 24 T		C	1	
37	A7AH891300	Gear 16T	ギア 16 T		C	1	
38	A7AH890102	Guide	ガイド	(Except Refresh Model)	D	1	
38	A7AHPP9700	Guide	ガイド	(Refresh Model)	D	1	
39	A161826001	Cushion /B	クッション / B		D	3	
41	A7AH819700	Seal	シール		C	2	
42	A7AH819900	Seal	シール		C	1	
43	A1UD721500	Roll	ころ	(Refresh Model)	C	2	
44	A1UD722700	Compressing Coil spring	圧縮コイルばね	(Refresh Model)	C	2	

DRIVE SECTION

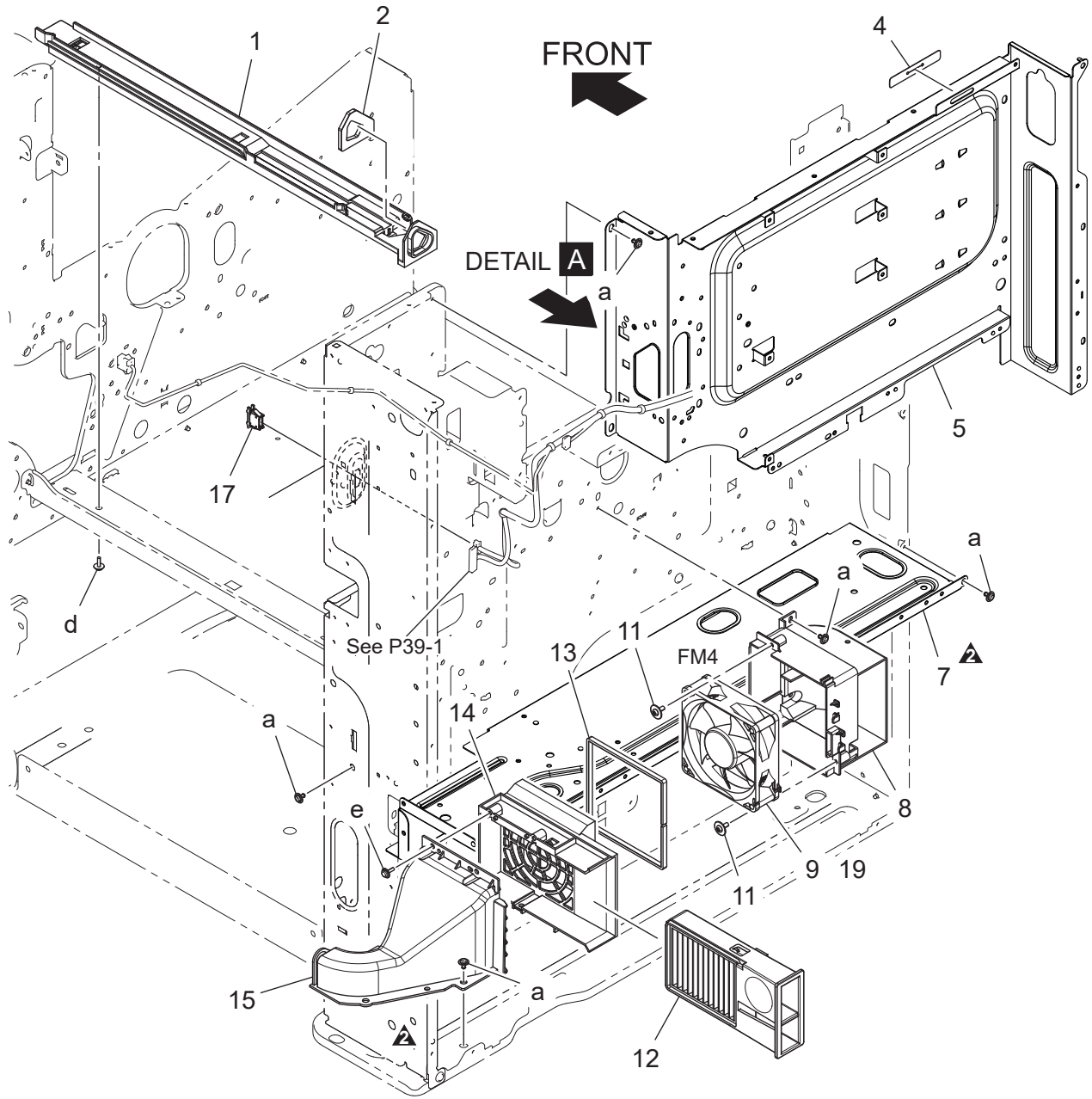
改訂版 REVISED EDITION	日付 DATE
	APRIL 2017



DRIVE SECTION

Key	Part No.	Description	Destinations	Class	QTY	Standard parts	
1	A7AHR70700	Main Drive Assy		C	1	a-V116030603 b-V144030603 c-V125030803 d-V218060086 e-V218040086 f-V153030803 h-V144030803	
2	A7AH215400	Gear 23T		C	1		
3	A7AH214800	Shaft		D	1		
4	A7AH214701	Shaft		D	1		
5	A7AH215101	Mounting Plate		D	1		
6	A7AH704900	Connecting Spring		C	1		
7	A7AH704201	Holder		D	1		
8	A7AH707201	Contact		D	1		
9	A7AH707101	Contact		D	1		
11	A7AH704601	Positioning Holder /Front		D	1		
12	A7AH704701	Positioning Holder /Rear		D	1		
13	A7AH213500	Gear 14/37T		C	1		
15	A7AH213902	Drive Holder		D	1		
16	A7AH212800	Gear 28T		C	1		
17	A7AH213000	Gear 26T		C	1		
18	A7AH212600	Gear 37T		C	1		
19	A7AH216500	Gear 23/31T		C	1		
20	A7AH212300	Gear 27/35T		C	1		
21	A7AH212200	Gear 22/29T		C	1		
22	A7AH212100	Gear 30/35T		C	1		
23	A7AH211700	Gear 26T		C	1		
24	A7AH214300	Gear 26T		C	1		
25	A7AH212000	Mounting Plate		D	1		
26	A161240600	Gear 65T		D	1		
27	4038541202	PRESSURE SPRING		C	1		
28	A161240700	Joint		C	1		
29	A7AH217100	Gear 15/91T		D	1		
30	A161240400	Gear 29/62T		D	1		
31	A7AH217002	Drive Holder		D	1		
32	A7AHR70200	Toner Bottle Drive Assy		S	1		
33	A7AHM10400	Stepping motor		C	1		
34	A61DM10200	brushless Motor /20		I	2		
35	A7AH134700	Seal		D	2		

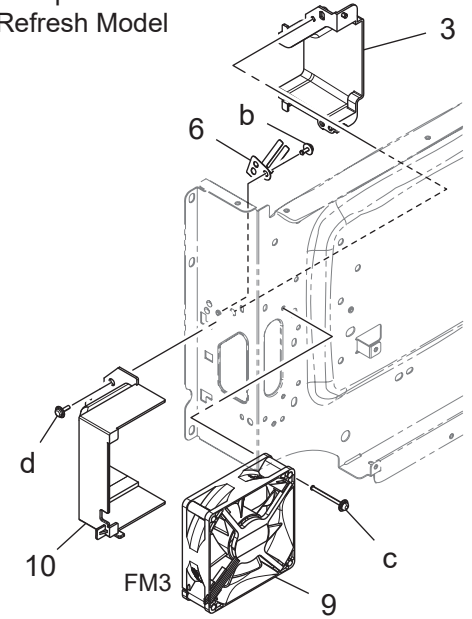
OZONE DUCT SECTION



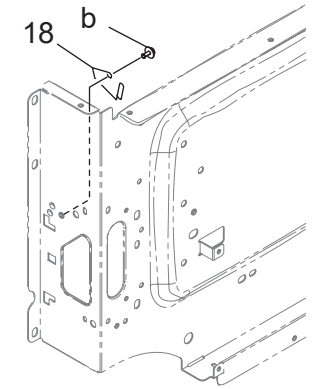
改訂版 REVISED EDITION	日付 DATE
▲	OCTOBER 2017

DETAIL A

Except Refresh Model



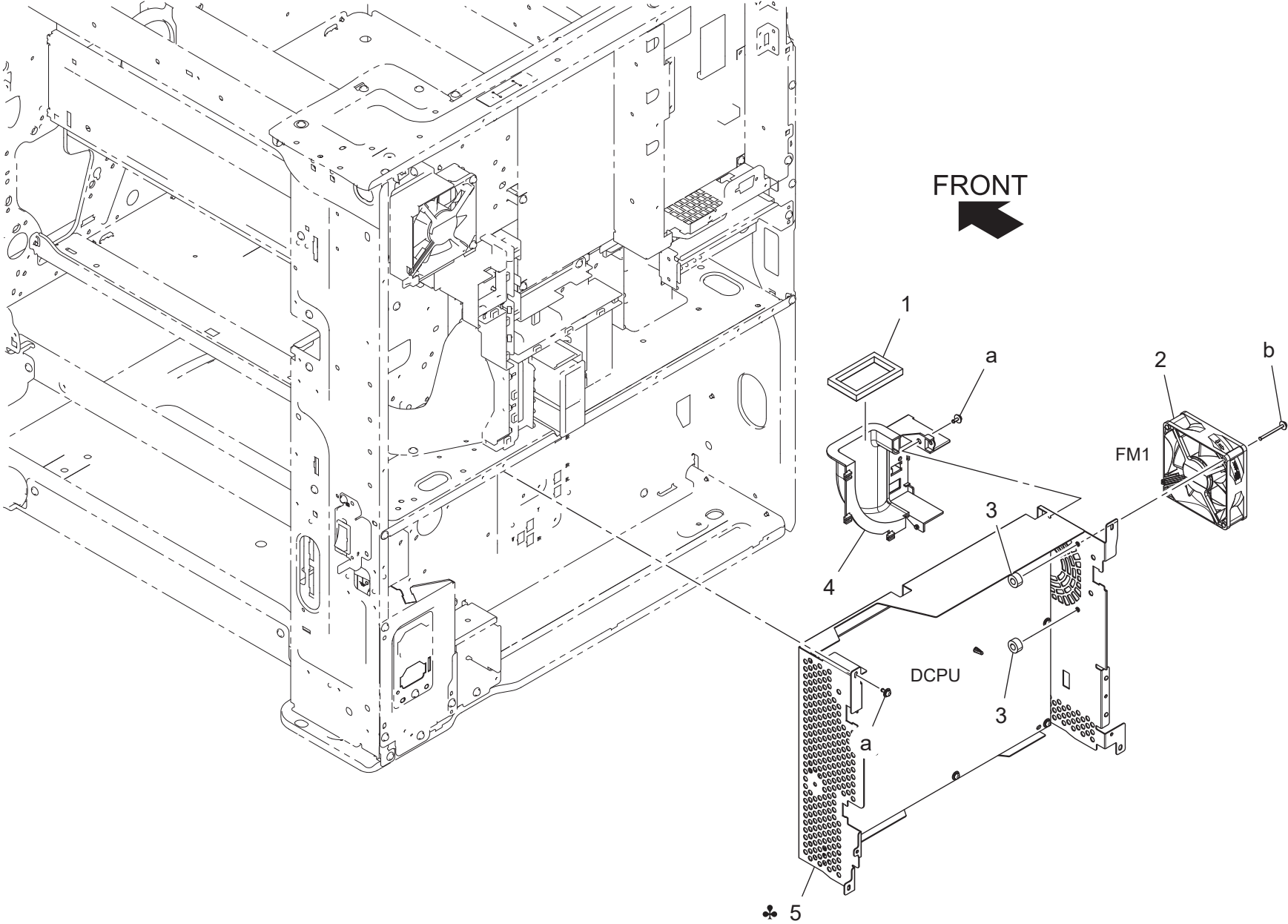
Refresh Model



OZONE DUCT SECTION

Key	Part No.	Description	Destinations	Class	QTY	Standard parts
1	A7AH115101	Guide Rail		D	1	a-V144030603 b-V125030803 c-V116033003 d-V153030803 e-V153031003
2	A7AHPPB300	Seal	(Except Refresh Model)	C	1	
2	A7AHPPB300	Seal	(Refresh Model)	C	1	
3	A7AH145100	Duct		D	1	
4	A7AH135100	Seal		C	1	
5	A7AH101105	Reinforce Plate		D	1	
6	A7AH139101	Ground Plate		D	1	
7	A7AH101201Old	Stay /Rear		D	1	
7	A7AH101212	Stay /Rear		D	1	
8	A7AH147100	Duct		D	1	
9	4139M10000	Fan motor	(Except Refresh Model)	B	2	
10	A7AH145201	Duct		D	1	
11	4163529301	SCREW		C	2	
12	A7AHR72600	Toner filter		A	1	
13	A7AH146800	Seal		C	1	
14	A7AH146100	Holder		D	1	
15	A7AH146301Old	Duct		D	1	
15	A7AH146312	Duct		D	1	
17	V651010045	WtoW Connector		D	1	
18	A7AHPP4700	Holder	(Refresh Model)	D	1	
19	4139M10000	Fan motor	(Refresh Model)	B	1	

MAIN POWER SUPPLY SECTION



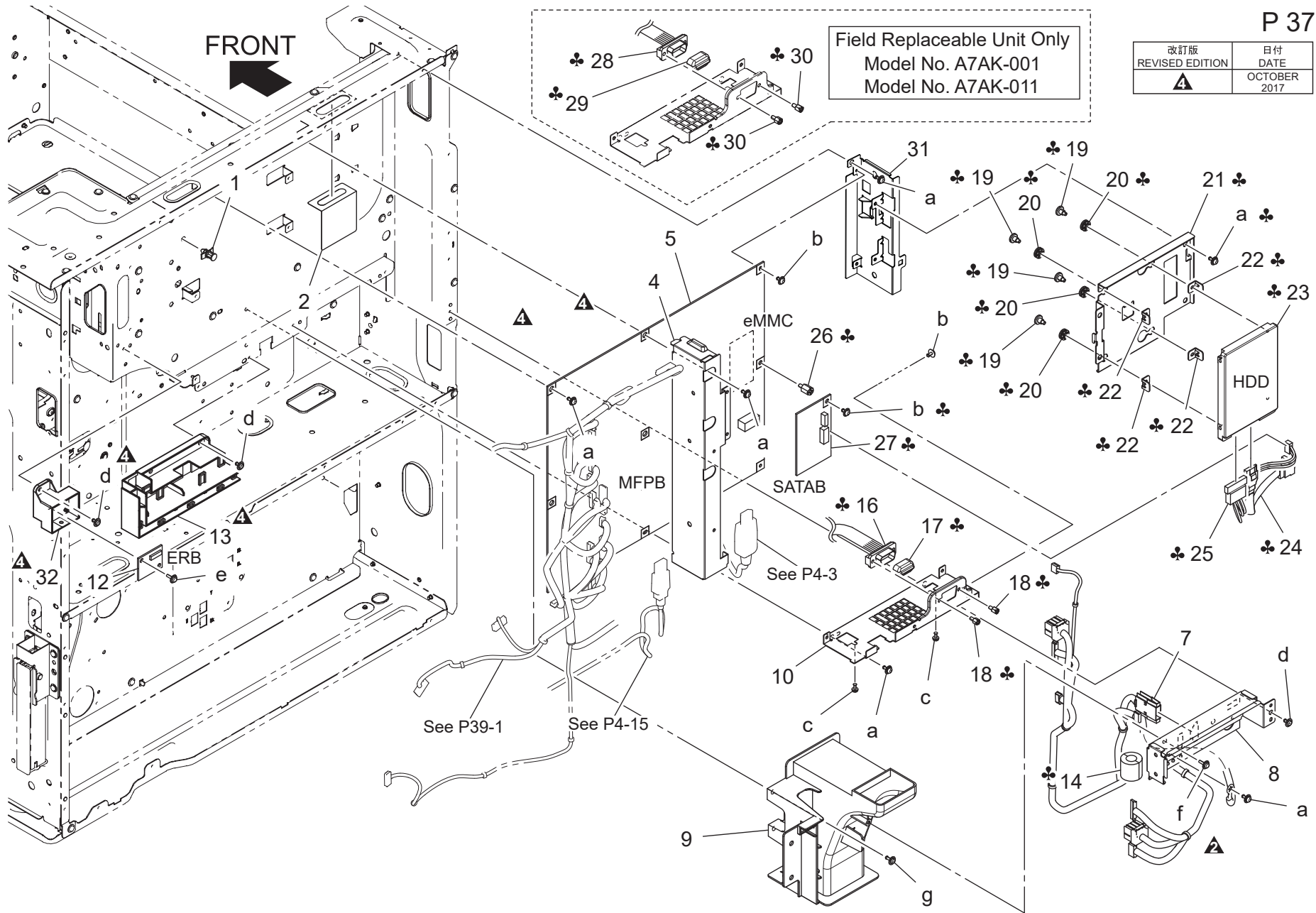
MAIN POWER SUPPLY SECTION

Key	Part No.	Description	Destinations	Class	QTY	Standard parts
1	A7AH141300	Seal		C	1	a-V125030803 b-V116033003
2	4139M10000	Fan motor		B	1	
3	1154467001	PROTECTION		C	2	
4	A7AH141100	Duct		D	1	
5	A7AHPP3200	Power supply Assy /100V	A,A1	I	1	
5	A7AHR70500	Power supply Assy /120V	B,G2	I	1	
5	A7AHR70600	Power supply Assy /220-240V	C,D1,D3,E,F2,G1,I,J	I	1	
5	A7AHPP3200	Power supply Assy /100V	A,A1	I	1	
5	A7AHPP3300	Power supply Assy /120V	B,G2	I	1	

ELECTRICAL COMPONENTS

改訂版 REVISED EDITION	日付 DATE
	OCTOBER 2017

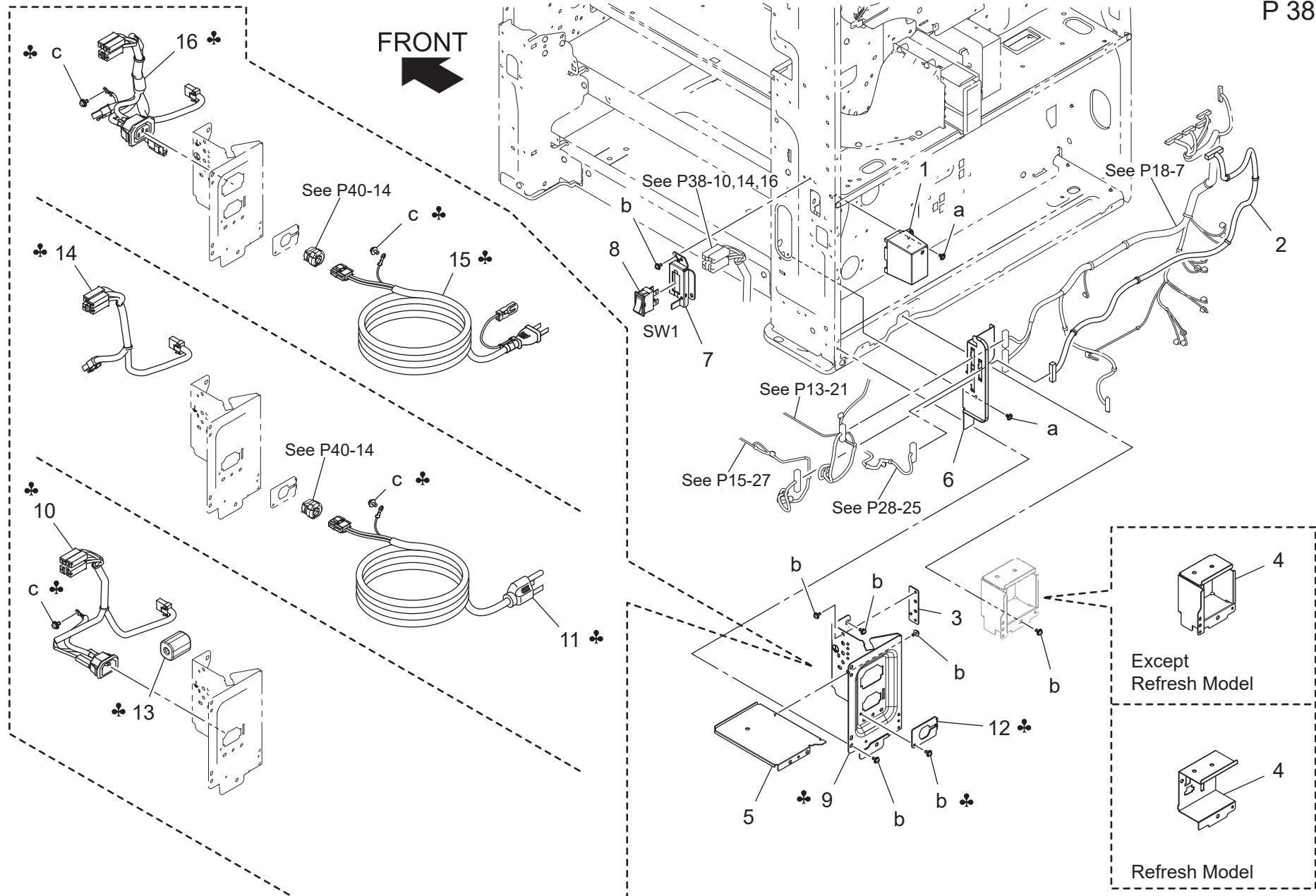
Field Replaceable Unit Only
Model No. A7AK-001
Model No. A7AK-011



ELECTRICAL COMPONENTS

Key	Part No.	Description	Destinations	Class	QTY	Standard parts	
1	V502010036	spacer		D	1	a-V125030803 b-V127030604 c-V122030603 d-V144030603 e-V153030803 f-V153031003 g-V144030803	
2	A7AH130600	Insulating Part		C	1		
4	A7AH130300	Shield Plate		D	1		
5	A7AHH0201D	PWB Assembly (PWB-MFP)	C,I(South Africa)	I	1		
5	A7AHH0200A	PWB Assembly (PWB-MFP)	A,A1,B,D1,D3,E,F2,G 1,G2,I(Except S-Afr ica),J	I	1		
7	A7AHN10902	Harness /DC Power source		D	1		
8	A7AH139301	Holder		D	1		
9	A7AH141201	Duct		D	1		
10	A7AH130101	Mounting Plate		D	1		
12	A7AHH00C00	PWB Assembly(PWB-EE)		I	1		
13	A7AHPP4500	Guide		D	1		
14	A49FM90100	Ferritecore	C,D1,D3,E,F2,G1,I,J	D	1		
16	A7AHN15A00	Harness /Control	C,D1,D3,E,F2,G1,I,J	D	1		
17	V503010002	Connector Cover	C,D1,D3,E,F2,G1,I,J	D	1		
18	A7AH131300	Screw	C,D1,D3,E,F2,G1,I,J	C	2		
19	A5C1134200	Shoulder screw	A,A1,B,C,G2,I(South Africa)	C	4		
20	A4EU138000	Support Rubber	A,A1,B,C,G2,I(South Africa)	D	4		
21	A7AH130401	Mounting Plate	A,A1,B,C,G2,I(South Africa)	D	1		
22	A5C1134111	Spacer	A,A1,B,C,G2,I(South Africa)	D	4		
23	A5C1M72H00	HDD	A,A1,B,C,G2,I(South Africa)	I	1		
24	A7AHN15100	Signal Cable	A,A1,B,C,G2,I(South Africa)	D	1		
25	A161N15J00	Power source Cable	A,A1,B,C,G2,I(South Africa)	C	1		
26	A161137600	Shoulder screw	A,A1,B,C,G2,I(South Africa)	D	1		
27	A7AHH02S02	PWB Assmby(PWB-SATA)	A,A1,B,C,G2,I(South Africa)	I	1		
28	A7AHN15A00	Harness /Control	A,A1,B,G2	D	1		
29	V503010002	Connector Cover	A,A1,B,G2	D	1		
30	A7AH131300	Screw	A,A1,B,G2	C	2		
31	A7AH131000	Mounting Plate		D	1		
32	A7AHPP4600	Holder		D	1		

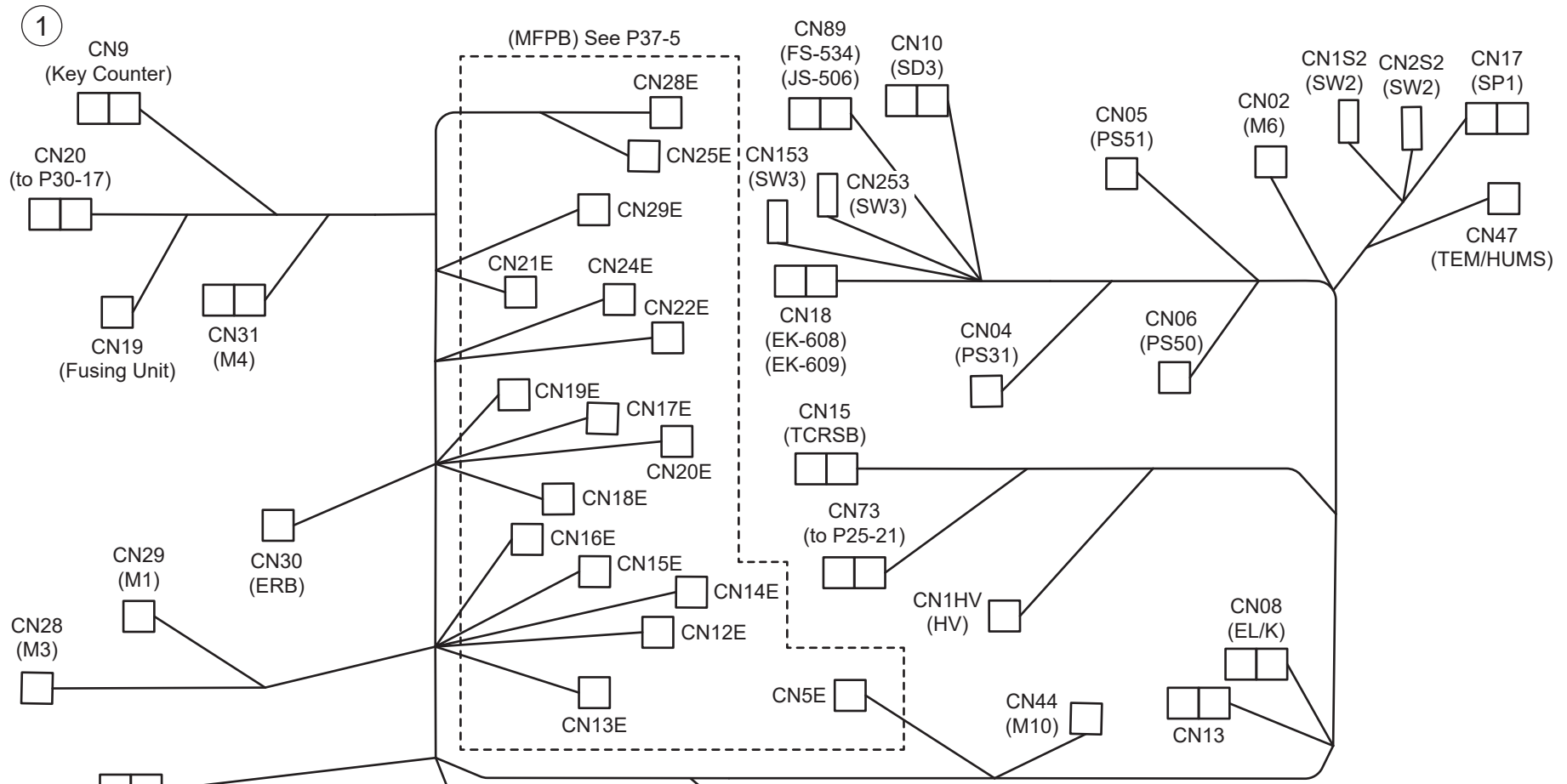
ELECTRICAL COMPONENTS



ELECTRICAL COMPONENTS

Key	Part No.	Description	Destinations	Class	QTY	Standard parts
1	A7AH132801	Cover		D	1	a-V144030603 b-V125030803 c-V116040803
2	A7AHN14300	Harness /Paper Feed Wiring		D	1	
3	A7AH132600	Mounting Plate		D	1	
4	A7AH132200	Mounting Plate		D	1	
4	A7AHPP4400	Mounting Plate	(Except Refresh Model) (Refresh Model)	D	1	
5	A7AH132300	Mounting Plate		D	1	
6	A7AH132900	Mounting Plate		D	1	
7	A7AH132400	Mounting Plate		D	1	
8	4038M60000	SEESAW-SWITCH		C	1	
9	A7AH132101	Mounting Plate		D	1	
9	A7AH132702	Mounting Plate	A,A1	D	1	
10	A7AHN10201	Harness /AC Power source	B,C,D1,D3,E,F2,G1,G2,I,J	D	1	
11	A5C1N30000	Power code /120V	C,D1,D3,E,F2,G1,I,J	C	1	
12	A0ED135700	Mounting Plate	B,G2	D	1	
13	A02EM70F00	Ferritecore	A,A1,B,G2	D	1	
14	A7AHN10101	Harness /AC Power source	C,D1,D3,E,F2,G1,I,J	D	1	
15	A0EDN30002	Power source Cord /100V	B,G2	D	1	
16	A7AHN10001	Harness /AC Power source	A,A1 電源コード / 1 0 0 V A C 電源束線	D	1	

WIRING



Reference Page/Key of electric parts

EL/K: P11-5	M4: P32-7	SP1: P3-12
ERB: P37-12	M6: P9-27	SW2: P3-15
FM1: P36-2	M10: P34-33	SW3: P26-17
FM4: P35-9	PS31: P9-20	TEM/HUMS: P3-10
HV: P8-9	PS50: P10-2	FS-534,JS-506: Option
M1: P34-34	PS51: P10-1	EK-608,EK-609: Option
M3: P34-34	SD3: P33-24	

WIRING

Key	Part No.	Description	Destinations	Class	QTY	Standard parts
1	A7AHN11102	Harness /Main body 本体束線		D	1	

WIRING ACCESSORIES AND JIGS

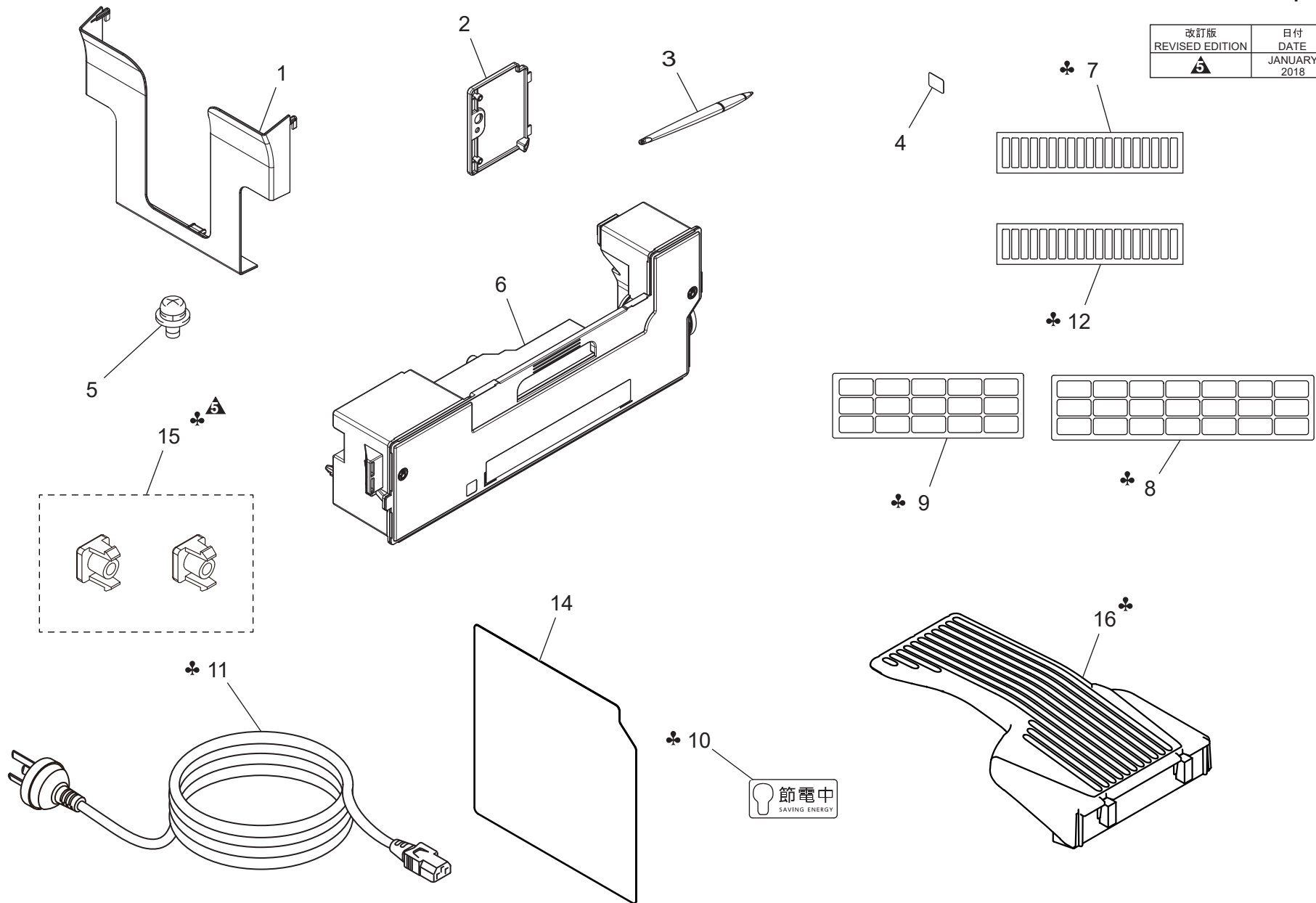
<p>1</p> <p>White</p> <p>5.2</p> <p>11.5</p>	<p>6</p> <p>White</p> <p>3.1</p> <p>6.2</p>	<p>11</p> <p>20.1</p> <p>15.9</p>	16	21	26	31	36
<p>2</p> <p>15.2</p> <p>18.5</p>	<p>7</p> <p>White</p> <p>5.3</p> <p>11</p>	<p>12</p> <p>0.1</p>	17	22	27	32	37
<p>3</p> <p>13.7</p> <p>16</p>	<p>8</p> <p>12</p> <p>6</p>	<p>13</p> <p>0.2</p>	18	23	28	33	38
<p>4</p> <p>23.4</p> <p>18</p>	<p>9</p> <p>8.5</p> <p>11.2</p>	<p>14 ♣</p> <p>10.7</p> <p>19.8</p>	19	24	29	34	39
<p>5</p> <p>5.8</p> <p>7.9</p>	<p>10</p> <p>8.1</p> <p>16.3</p>	15	20	25	30	35	40

WIRING ACCESSORIES AND JIGS

Key	Part No.	Description	Destinations	Class	QTY	Standard parts
1	V500010081	Locking Wire Saddle		D		
2	V500010083	Locking Wire Saddle		D		
3	V500010084	Locking Wire Saddle		D		
4	V500010085	Locking Wire Saddle		D		
5	V500020098	Mini Locking wire saddle		D		
6	V500020099	Mini Locking wire saddle		D		
7	V500020100	Mini Locking wire saddle		D		
8	V500020108	Reuse spacing clamp		V		
9	V570010021	Saddle		D		
10	V570010057	Wing Edge Saddle		D		
11	V570010060	Wing Edge Saddle		D		
12	4030205301	SPACER (BLACK)		C		
13	4030205401	SPACER (WHITE)		C		
14	V500020052	bushing	A,A1,B,G2	D	1	

ACCESSORY PARTS

改訂版 REVISED EDITION	日付 DATE
	JANUARY 2018



MAINTENANCE LIST

● The items with no Page/Key numbers are not handled as spare parts.

No.	Section	PM Parts Description	Maintenance Cycle (K=1,000)		Parts No.	Destinations	Page/Key	Note	
			QTY	Replace					
1	Paper feed section	Tray 1 pick-up roller	1	300k	A5C1562200		P13-14	*2, *4	
2		Tray 1 feed roller	1	300k	A00J563600		P13-12	*2, *4	
3		Tray 1 separation roller	1	300k	A00J563600		P14-10	*2, *4	
4		Tray 2 pick-up roller	1	300k	A5C1562200		P15-21	*2, *4	
5		Tray 2 feed roller	1	300k	A00J563600		P15-19	*2, *4	
6		Tray 2 separation roller	1	300k	A00J563600		P16-7	*2, *4	
7		Manual bypass tray feed roller	1	200k	A00F623201		P27-7	*2, *4	
8		Manual bypass tray separation roller assy	1	200k	4658015106		P28-19	*2, *4	
9	Processing section	Toner cartridge/K *1	1	23k	-			*3	
10		Drum unit/K *1	1	80k	-	A,A1		*3	
11			1	85k	-	B,G2		*3	
12			1	85k	-	C,D1,D3,E,F2,G1,I		*3	
13		Developing unit/K		1	520k	-	A,A1		*3
14				1	590k	-	B,G2		*3
15				1	600k	-	C,D1,D3,E,F2,G1,I		*3
16			Toner filter	1	150k	A7AHR72600		P35-12	*3
17		Paper dust remover unit	1	150k	A7AHR72900		P25-7	*3, *5	
18		Ozone filter	1	150k	A7AHR70300		P11-14	*3	
19	Waste toner box *1	1	110k	A7XWWY2		P41-6	*3, *6		
20	Image transfer section	Transfer roller unit	1	150k	A7AHR72900		P25-7	*3	
21	Registration section	Ozone filter	1	150k	A7AHR72000		P24-1	*3	
22		Registration roller bushing	4	900k	A7AH703201		P25-2	*3, *4	
23		Registration roller gear/1	1	900k	1164351501		P25-16	*3, *4	
24		Registration roller gear/2	1	900k	A7AH707500		P25-15	*3, *4	
25	Fusing section	Fusing unit	1	305k	A7AHR72211	A,A1	P31-5	*3	
26			1	320k	A7AHR72311	B,G2	P31-5	*3	
27			1	320k	A7AHR72411	C,D1,D3,E,F2,G1,I	P31-5	*3	

*1: The parts can be replaced either by user or service engineer.

*2: Actual durable cycle (life counter value)

*3: Field standard yield

*4: Replace those three parts at the same time.

*5: The ozone filter is furnished with the transfer roller unit (A7AH R729) so that all of them are replaced at same time.

*6: A waste toner full condition is detected with detecting the actual waste toner emissions.

メンテナンスリスト

● ページ / キーナンバーのないものは、アフターサービス部品ではありません。

No.	区分	PM 部品名称	サイクル (K=1,000)		部品番号	仕向地	頁 / キー	備考
			員数	交換				
1	給紙部	トレイ1ピックアップローラー	1	300k	A5C1562200		P13-14	*2, *4
2		トレイ1給紙ローラー	1	300k	A00J563600		P13-12	*2, *4
3		トレイ1分離ローラー	1	300k	A00J563600		P14-10	*2, *4
4		トレイ2ピックアップローラー	1	300k	A5C1562200		P15-21	*2, *4
5		トレイ2給紙ローラー	1	300k	A00J563600		P15-19	*2, *4
6		トレイ2分離ローラー	1	300k	A00J563600		P16-7	*2, *4
7		手差しトレイ給紙ローラー	1	200k	A00F623201		P27-7	*2, *4
8		手差しトレイ分離ローラー Assy	1	200k	4658015106		P28-19	*2, *4
9	プロセス部	トナーカートリッジ / K *1	1	23k	-			*3
10		ドラムユニット / K *1	1	80k	-	A,A1		*3
11			1	85k	-	B,G2		*3
12			1	85k	-	C,D1,D3,E,F2,G1,I		*3
13		現像ユニット / K	1	520k	-	A,A1		*3
14			1	590k	-	B,G2		*3
15			1	600k	-	C,D1,D3,E,F2,G1,I		*3
16		トナーフィルター	1	150k	A7AHR72600		P35-12	*3
17		紙粉除去クリーナーユニット	1	150k	A7AHR72900		P25-7	*3, *5
18		オゾンフィルター	1	150k	A7AHR70300		P11-14	*3
19	廃棄トナーボックス *1	1	110k	A7XWWY2		P41-6	*3, *6	
20	転写部	転写ローラーユニット	1	150k	A7AHR72900		P25-7	*3
21	レジスト部	オゾンフィルター	1	150k	A7AHR72000		P24-1	*3
22		レジストローラー軸受	4	900k	A7AH703201		P25-2	*3, *4
23		レジストローラーギア / 1	1	900k	1164351501		P25-16	*3, *4
24		レジストローラーギア / 2	1	900k	A7AH707500		P25-15	*3, *4
25	定着部	定着ユニット	1	305k	A7AHR72211	A,A1	P31-5	*3
26			1	320k	A7AHR72311	B,G2	P31-5	*3
27			1	320k	A7AHR72411	C,D1,D3,E,F2,G1,I	P31-5	*3

*1: ユーザー / サービス交換の選択が可能。

*2: ライフカウンター値

*3: 市場標準印刷枚数値

*4: 同時交換のこと

*5: 転写ローラーユニット (A7AH R729) に同梱されており、同時交換する。

*6: 廃棄トナーフル検知は、実際の廃棄トナー充填量を検知して行う。

DESTINATION

Destination No.		Destinations		V	Hz	Model No.
A	A1	JAPAN		100	50/60	A7AK001/007
	A2	JAPAN		200	50/60	
B		USA, CANADA		120	60	A7AK011/017
C		EUROPEAN TYPE		220-240	50/60	A7AK021/027
D	D1	S.E ASIA TYPE	THAILAND, SRI LANKA, SINGAPORE, MALAYSIA, HONG KONG, PAKISTAN, INDIA, BANGLADESH, INDONESIA	220-240	50/60	A7AK041/047
	D3	OCEANIA TYPE	AUSTRALIA, NEW ZEALAND	220-240	50/60	A7AK041/047
E		PHILIPPINES		220-240	50/60	A7AK041/047
F	F1	SAUDI ARABIA		127	60	
	F2	SAUDI ARABIA		220-240	50/60	A7AK041/047
G	G1	C.S AMERICA		220-240	50/60	A7AK041/047
	G2	C.S AMERICA		120	60	A7AK011/017
H		TAIWAN		110	60	
I		JORDAN, LEBANON, SYRIA, SOUTH AFRICA, IRAQ, IRAN, N.YEMEN, CAMEROON, UAE, BAHRAIN, OMAN, QATAR, KUWAIT, KENYA, TUNISIA, IVORY COAST, MOROCCO		220-240	50/60	A7AK021/041/027/047

Destination No.	Destinations	V	Hz	Model No.
J	CHINA	220-240	50/60	A7AK081/ 087
K	KOREA	220-240	50/60	