

KONICA MINOLTA

PARTS GUIDE MANUAL

MAY 2018

bizhub C258
A7R0

INFORMATION FOR PARTS GUIDE MANUAL

To find correct Parts No., refer to the "HOW TO MAKE THE BEST USE OF THIS MANUAL" in the following page.

HOW TO MAKE THE BEST USE OF THIS MANUAL

- 1 When you order, please check the proper figures beforehand that are on Our Parts Guide Manual, and order with the appropriate figures.
- 2 For screws, Nuts, Washers, retaining rings and Pins which are used in this model, one letter is shown on the Standard parts column of Parts list and exploded diagrams.
- 3 In order to maintain safety of the product, some specific parts composed of this product are set up as "essential safety parts".
- 4 The assigned parts number for the "essential safety parts" is indicated as "SP00-****".
When replacing these parts, follow precautions for disassembling and installing which are listed in the Service Manual.
Do not use any parts that are not set up as
- 5 ♣ means that there are exclusive parts for each destination.
Please check the appropriate destination when you order.
- 6 Revision Mark
Marked as ▲ on the illustration shows that the revision has been made.
- 7 All rights reserved. (any reprints or quotations are prohibited.)
Use of this parts guide manual should be strictly supervised to avoid disclosure of confidential information.

パーツガイドマニュアルのご案内

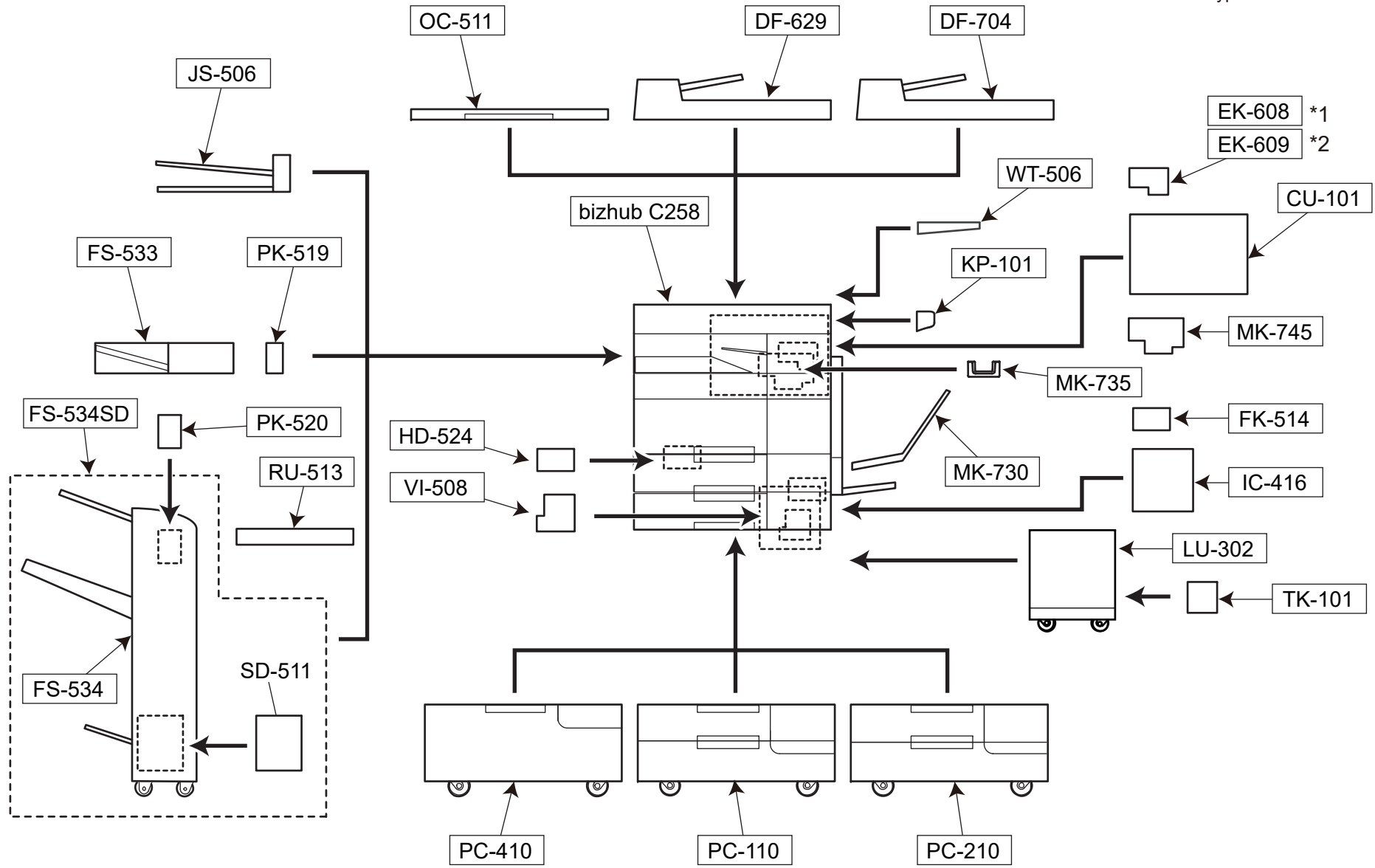
サービス部品をご発注の際には、下記に示す“パーツガイドマニュアルの活用にあたって”をご参照の上、正しい部品番号にてお願い致します。

パーツガイドマニュアルの活用にあたって

- 1 部品発注の際には、掲載されている部品番号の桁数を確認し、掲載されている桁数で発注願います。
- 2 この製品に使用されているネジ、ナット、ワッシャー、止め輪、ピンなどは、リストの右側の Standard parts 欄に a,b,c,…… で表示し、イラストにも a,b,c,…… 表示してあります。
- 3 製品の安全性を維持する為に、製品に使用される特定の部品を「重要保安部品」として設定しています。
- 4 重要保安部品の部品番号は、“SP00-****”と記載されていますので、部品交換時は、サービスマニュアル記載の分解・組み立ての注意事項に従って作業をして下さい。
また、指定以外の部品は一切使用しないで下さい。
- 5 本文に ♣ が表示されている部品は、仕向け地毎に専用部品がある事を意味しています。
オーダーされる時は、仕向け地を確認して下さい。
- 6 改訂記号について
イラスト上に ▲ 印が表示されている部分は、改訂された事を表します。
- 7 著作権所有（無断転載及び無断引用の禁止）
本パーツガイドマニュアルについては、機密保持等その扱いには十分注意して下さい。万一取り扱いを誤った場合には、法律で処罰されることがあります。

System Configuration

*1: Non Bluetooth Type
*2: Bluetooth Type

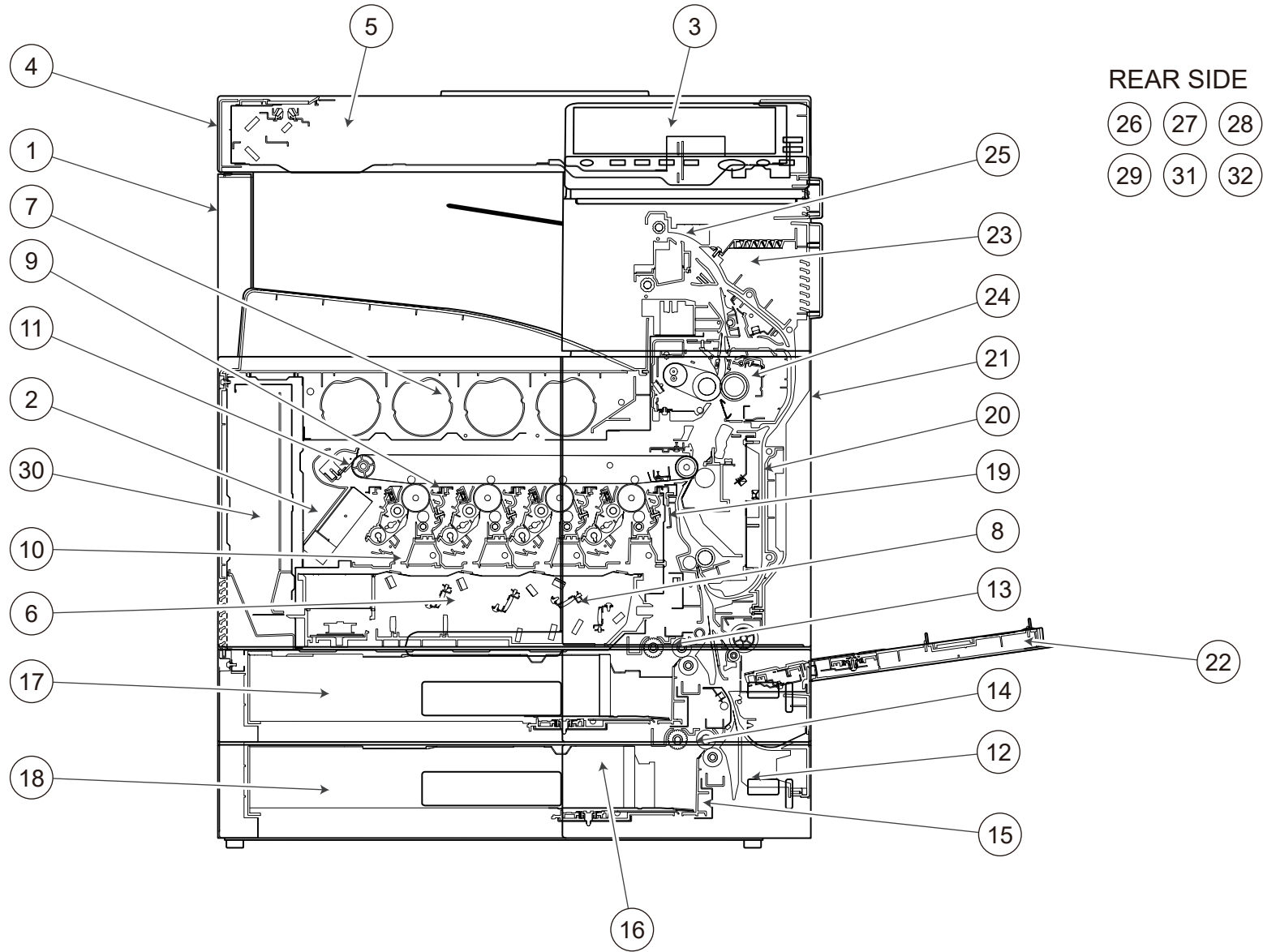


GENERAL CONTENTS

No.	Description	Model
1	Digital MFP Color	bizhub C258
2	Document Feeder	DF-629
3	Document Feeder	DF-704
4	Original Cover	OC-511
5	Job Separator	JS-506
6	Finisher/Sorter	FS-533
7	Punch Unit	PK-519
8	Finisher/Sorter	FS-534SD
9	Finisher/Sorter	FS-534
10	Punch Unit	PK-520
11	Finisher/Sorter	RU-513
12	Paper Feeder	PC-110
13	Paper Feeder	PC-210
14	Paper Feeder	PC-410
15	HDD	HD-524
16	Video IF Kit	VI-508
17	Paper Feeder	LU-302
18	Other Option	TK-101
19	Local IF Kit	EK-608
20	Local IF Kit	EK-609
21	Other Option	CU-101
22	Mount Kit	MK-745

No.	Description	Model
23	Fax Kit	FK-514
24	Image Controller	IC-416
25	Working Table	WT-506
26	Other Option	KP-101
27	Mount Kit	MK-735
28	Mount Kit	MK-730

Section Configuration



CONTENTS

No.	DESCRIPTION	名称	PAGE No.
1	EXTERNAL PARTS	外装部	P1 P2
2	INNER COVER SECTION	2次カバー部	P3
3	OPERATION PANEL SECTION	オペレーションパネル部	P4
4	IR COVER SECTION	I R カバー部	P5
5	SCANNER SECTION	スキャナー部	P6 P7 P8
6	PH UNIT	P H 部	P9
7	TONER SUPPLY SECTION	トナー補給部	P10 P11
8	WASTE TONER BOX SECTION	廃棄トナーボックス部	P12
9	ERASE LAMP SECTION	イレーサーランプ部	P13
10	DV LOCK LEVER SECTION	D V ロックレバー部	P14
11	TRANSFER UNIT	転写ベルト部	P15
12	PAPER FEED SECTION	給紙部	P16
13	1ST PAPER FEED SECTION	1 段目給紙部	P17 P18
14	2ND PAPER FEED SECTION	2 段目給紙部	P19 P20
15	CASSETTE RAIL SECTION	カセットレール部	P21
16	PAPER SIZE DETECTION SECTION	カセットサイズ検出部	P22
17	1ST CASSETTE SECTION	1 段目カセット部	P23 P23A P24 P24A
18	2ND CASSETTE SECTION	2 段目カセット部	P25 P25A P26 P26A
19	CONVEYANCE SECTION	搬送部	P27
20	VERTICAL TRANSPORT SECTION	縦搬送部	P28 P29
21	VERTICAL CONVEYANCE DOOR SECTION	縦搬送扉部	P30
22	BYPASS TRAY SECTION	手差しトレイ部	P31 P32 P33
23	REVERSAL UNIT	反転部	P34 P35
24	FUSING SECTION	定着部	P36
25	PAPER EXIT SECTION	排紙部	P37 P38
26	MAIN DRIVE/ PAPER FEED DRIVE SECTION	メイン駆動/給紙駆動部	P39
27	TONER BOTTLE DRIVE SECTION	トナーボトル駆動部	P40
28	FUSING DRIVE SECTION	定着駆動部	P41 P42
29	HIGH VOLTAGE SECTION	高圧電源部	P43
30	MAIN POWER SUPPLY SECTION	低圧電源部	P44
31	ELECTRICAL COMPONENTS	電装部	P45 P46
32	WIRING	束線	P47 P48 P49
33	WIRING ACCESSORIES AND JIGS	配線部品・治具	P50
34	ACCESSORY PARTS	同梱部品	P51

INDEX

Parts No.	Page No.
0996305501	21-7
1164202801	38-5
4002311002	22-7
4004590301	38-1
4011585202	27-35
4025598401	38-3
4030301703	18-11
4030301703	20-12
4030320601	24A-11
4030320601	24-15
4030320601	26A-11
4030320601	26-16
4030322601	24-9
4030322601	24A-9
4030322601	26A-9
4030322601	26-9
4030340301	32-15
4030347501	32-19
4034352501	17-2
4036307501	6-6
4036534801	11-24
4037320401	24-11
4037320401	26-11
4038101401	10-4
4038228702	3-18
4038258001	41-15
4038353701	27-9
4038353901	27-13
4038541202	40-9
4038M60000	3-14
4040561000	18-2
4040561000	20-3
4131300301	17-12
4131300301	19-17
4131353202	31-17
4139M10000	9-2
4139M10000	36-2
4139M10000	44-9
4163510201	11-7
4163529301	9-3

Parts No.	Page No.
4163529301	15-34
4163529301	22-12
4163529301	24-23
4163529301	24A-36
4163529301	26-13
4163529301	26A-36
4163529301	27-32
4163529301	28-2
4163529301	29-25
4163529301	34-10
4163529301	35-3
4333501201	11-17
4532341001	18-13
4532341001	20-15
4576536301	11-8
4581162501	6-8
4640392001	37-3
4658015106	32-26
56AA40490	1-16
56AA40490	17-15
56AA40490	18-8
56AA40490	19-19
56AA40490	20-7
9313100072	36-4
9321240011	31-24
9J06730101	45-5
9J06M10300	22-8
9J06M60100	3-17
9J06M60100	30-3
A00F623201	31-10
A00F941100	34-25
A00J106202	1-20
A00J169100	2-12
A00J169100	4-17
A00J169100	51-3
A00J169300	5-5
A00J265300	6-7
A00J563600	17-14
A00J563600	18-6
A00J563600	19-18

Parts No.	Page No.
A00J563600	20-6
A00J617900	19-12
A00J663200	17-28
A00J663200	19-16
A00J945500	1-13
A00JH00D00	1-7
A011946200	4-24
A02E117300	36-15
A02E149900	2-7
A02E167700	5-7
A02E167700	51-4
A02E560800	17-24
A02E560800	19-28
A02E561100	17-16
A02E561100	19-20
A02E595100	31-21
A02E595400	31-16
A02E596100	31-20
A02E596300	31-9
A02E597600	32-25
A02E712902	27-12
A02E815200	29-10
A02E815200	34-7
A02E815200	35-17
A02E940300	24A-15
A02E940300	24-24
A02E940300	26A-15
A02E940300	26-24
A02EM20000	19-30
A02EM20000	27-1
A02EM20100	31-22
A02EM20200	17-26
A02EM20200	19-29
A034M20100	27-34
A03U812800	41-8
A03U812800	42-17
A0ED103100	13-4
A0ED110900	15-16
A0ED111000	15-4
A0ED111400	15-29

Parts No.	Page No.
A0ED111500	15-12
A0ED111700	15-17
A0ED112000	15-14
A0ED135700	45-7
A0ED146900	36-1
A0ED162401	3-6
A0ED163000	1-3
A0ED245000	12-7
A0ED257500	41-14
A0ED259700	41-11
A0ED271200	7-7
A0ED271300	7-6
A0ED273600	8-12
A0ED274300	8-19
A0ED274400	8-8
A0ED276301	8-16
A0ED363001	12-4
A0ED363200	12-2
A0ED363312	12-5
A0ED363400	12-3
A0ED401000	11-25
A0ED501301	15-35
A0ED550800	28-24
A0ED550900	28-17
A0ED551000	28-14
A0ED551100	28-15
A0ED563900	18-5
A0ED563900	20-5
A0ED597800	31-23
A0ED620200	24A-12
A0ED620200	24-16
A0ED620200	26A-12
A0ED620200	26-17
A0ED620701	24A-14
A0ED620701	24-22
A0ED620701	26A-14
A0ED620701	26-22
A0ED621400	24-12
A0ED621400	26-12
A0ED700200	27-17

Parts No.	Page No.
A0ED700300	27-19
A0ED700600	27-14
A0ED700700	27-20
A0ED702400	29-28
A0ED702800	27-5
A0ED703800	28-9
A0ED705800	27-4
A0ED712100	30-8
A0ED811700	29-1
A0ED811700	34-18
A0ED811900	29-4
A0ED815100	35-9
A0ED891100	38-6
A0ED897700	38-15
A0ED940600	10-6
A0ED940700	1-4
A0EDM10500	46-12
A0EDM50100	17-5
A0EDM50100	19-3
A0EDM60001	10-19
A0EDM60001	14-1
A0EDN30002	45-8
A0G6411200	1-9
A0HF952400	5-11
A0P0742300	37-9
A0P0M50300	43-7
A0P0N15100	46-11
A161101600	21-15
A161101701	21-16
A161101802	9-7
A161101900	21-4
A161102500	30-2
A161102700	36-11
A161103700	21-12
A161103901	21-10
A161104101	28-22
A161104200	21-3
A161104300	21-1
A161105200	21-14
A161105400	9-5

Parts No.	Page No.	Parts No.	Page No.	Parts No.	Page No.	Parts No.	Page No.	Parts No.	Page No.
A161105500	39-27	A161140501	36-3	A161221001	39-25	A161259400	41-12	A161400800	11-26
A161105600	13-3	A161140800	44-7	A161228000	42-9	A161259800	39-16	A161401000	11-6
A161107100	13-5	A161141500	43-15	A161228100	42-10	A161261902	6-15	A161401100	11-5
A161107400	13-9	A161141700	15-31	A161228312	42-11	A161262002	6-16	A161401200	11-4
A161110105	15-28	A161143400	44-10	A161228601	42-19	A161262200	6-14	A161401300	11-2
A161110202	15-10	A161143601	44-3	A161228800	41-7	A161263000	6-11	A161401400	11-1
A161110300	15-11	A161144500	44-2	A161230500	42-8	A161268200	6-3	A161401500	11-3
A161110400	15-7	A161144801	15-33	A161230600	42-7	A161268300	6-1	A161402115	10-14
A161110500	15-15	A161144900	15-30	A161230700	41-19	A161271000	7-9	A161402403	10-8
A161110601	15-3	A161145000	44-1	A161231800	42-5	A161271000	8-14	A161402502	10-7
A161112000	15-13	A161146200	15-32	A161232200	41-6	A161271100	7-11	A161403000	11-18
A161112101	15-27	A161146800	11-27	A161232300	41-17	A161271100	8-17	A161403101	11-9
A161112200	15-8	A161151100	3-20	A161232300	42-3	A161273113	8-15	A161403200	11-23
A161112300	15-20	A161151200	30-5	A161232401	41-21	A161273401	8-13	A161403300	10-12
A161112400	15-26	A161151300	3-19	A161232501	41-16	A161273500	8-18	A161403403	10-13
A161112500	15-5	A161160300	1-8	A161240300	40-5	A161273701	8-11	A161403500	10-10
A161112600	15-9	A161161002	1-1	A161240400	40-8	A161273800	8-20	A161403600	10-11
A161112700	15-25	A161161303	1-10	A161240500	40-7	A161274500	8-22	A161403701	10-2
A161116202	14-2	A161162304	37-5	A161240600	40-6	A161274600	8-21	A161403800	10-9
A161119500	14-3	A161162400	4-18	A161240700	40-10	A161275113	8-23	A161403901	10-5
A161121300	30-1	A161162803	2-8	A161240900	40-11	A161275213	8-24	A161404001	10-16
A161121401	36-9	A161163503	2-3	A161241000	40-13	A161275300	8-9	A161404100	10-17
A161121900	41-24	A161163900	2-16	A161241400	40-15	A161275400	8-10	A161404200	11-14
A161122002	41-22	A161165007	3-4	A161245100	12-6	A161275500	8-6	A161404300	11-19
A161122500	36-8	A161165300	3-5	A161245400	12-8	A161275600	8-5	A161508400	15-2
A161130101	13-1	A161165602	1-17	A161253100	39-15	A161275700	8-3	A161550700	28-12
A161130502	45-6	A161165700	3-1	A161253500	39-13	A161276000	8-4	A161551500	28-21
A161130603	45-9	A161167000	4-23	A161253600	39-17	A161276500	8-7	A161551600	28-20
A161131401	45-1	A161167100	4-28	A161253900	39-11	A161278600	7-1	A161560112	17-10
A161132801	43-3	A161167300	4-27	A161254200	41-1	A161278900	7-3	A161560302	19-10
A161134702	39-8	A161167400	4-26	A161254300	41-2	A161280211	6-20	A161560500	17-29
A161135100	3-15	A161170800	5-8	A161254400	41-3	A161280300	6-17	A161560500	19-14
A161137100	30-4	A161190903	4-2	A161254500	41-5	A161281100	6-24	A161560900	17-4
A161137202	36-13	A161210200	39-10	A161254700	41-4	A161281300	6-22	A161560900	19-7
A161137701	43-5	A161220100	39-24	A161256300	41-9	A161281600	6-4	A161561000	19-1
A161137802	9-10	A161220200	39-23	A161258501	42-18	A161362000	12-11	A161561100	16-1
A161137900	46-21	A161220400	39-22	A161258700	42-13	A161400100	11-10	A161561200	16-2
A161138500	13-6	A161220500	39-21	A161258800	41-13	A161400401	11-11	A161561600	17-7
A161140200	9-1	A161220600	39-20	A161259100	42-14	A161400601	11-12	A161561600	19-8
A161140400	36-10	A161220700	39-19	A161259200	42-15	A161400701	11-20	A161562000	17-19

Parts No.	Page No.	Parts No.	Page No.	Parts No.	Page No.	Parts No.	Page No.	Parts No.	Page No.
A161562000	19-23	A161578100	19-2	A161595200	32-21	A161621900	26-18	A161626602	25A-11
A161562101	17-21	A161578212	19-4	A161595300	32-16	A161622100	23-1	A161626800	23-11
A161562101	19-25	A161578700	19-33	A161595400	32-20	A161622100	23A-1	A161626800	23A-11
A161562300	17-17	A161579011	16-10	A161595600	32-17	A161622100	25-1	A161626800	25-12
A161562300	19-21	A161590101	32-13	A161620107	24-19	A161622100	25A-1	A161626800	25A-12
A161562400	17-13	A161590201	31-5	A161620400	24-10	A161623104	23-4	A161626900	23A-17
A161562400	19-15	A161590304	32-11	A161620400	24A-10	A161623301	23-21	A161626900	23-17
A161562500	17-20	A161590600	31-19	A161620400	26A-10	A161623301	23A-21	A161626900	25-18
A161562500	19-24	A161590800	31-18	A161620400	26-10	A161623400	21-13	A161626900	25A-18
A161562600	17-18	A161590901	32-29	A161620600	24A-6	A161623400	23-3	A161630102	26-23
A161562600	19-22	A161591000	32-28	A161620600	24-6	A161623400	23A-3	A161631411	26A-13
A161562800	17-11	A161591100	32-27	A161620600	26A-6	A161623400	25A-3	A161631411	26-19
A161562800	19-13	A161591300	31-25	A161620600	26-6	A161623400	25-3	A161633101	25-4
A161563000	19-32	A161591400	31-13	A161620701	24-7	A161624100	24-3	A161633202	25A-21
A161563300	18-12	A161591500	31-12	A161620701	24A-7	A161624100	24A-3	A161633202	25-21
A161563300	20-13	A161591600	32-12	A161620701	26-8	A161624100	26A-3	A161635117	25A-19
A161563901	18-14	A161591700	31-8	A161620701	26A-8	A161624100	26-3	A161635117	25-19
A161563901	20-14	A161591800	32-22	A161620803	24-14	A161625114	23A-18	A161636502	25-10
A161564001	18-10	A161592200	33-2	A161620803	26-15	A161625114	23-18	A161636502	25A-10
A161564001	20-11	A161592300	33-10	A161620904	24A-1	A161625900	23-16	A161700301	27-26
A161564200	18-16	A161592400	33-7	A161620904	24-1	A161625900	23A-16	A161700401	27-31
A161564200	20-17	A161592501	33-8	A161620904	26A-1	A161625900	25A-17	A161700600	27-10
A161564300	18-18	A161592600	33-9	A161620904	26-1	A161625900	25-17	A161700700	27-30
A161564300	20-19	A161592800	31-1	A161621100	24A-5	A161626000	23-12	A161700901	27-40
A161564400	18-15	A161592900	30-7	A161621100	24-5	A161626000	23A-12	A161701100	27-28
A161564400	20-16	A161593300	31-14	A161621100	26-5	A161626000	25-13	A161701301	27-15
A161565102	16-8	A161593400	32-33	A161621100	26A-5	A161626000	25A-13	A161701703	27-27
A161565302	17-9	A161593600	32-31	A161621300	24-13	A161626100	23-13	A161701800	27-36
A161566000	17-1	A161593800	33-15	A161621300	26-14	A161626100	23A-13	A161701900	27-3
A161567300	17-23	A161594100	31-6	A161621411	24A-13	A161626100	25A-14	A161702000	27-21
A161567300	19-27	A161594201	32-10	A161621411	24-18	A161626100	25-14	A161702101	27-41
A161567400	17-22	A161594300	33-18	A161621600	24-4	A161626200	23A-2	A161702200	27-2
A161567400	19-26	A161594400	31-11	A161621600	24A-4	A161626200	23-2	A161702200	42-20
A161568600	18-3	A161594500	32-1	A161621600	26A-4	A161626200	25A-2	A161706001	27-6
A161568700	20-9	A161594600	32-3	A161621600	26-4	A161626200	25-2	A161710103	28-11
A161568800	20-2	A161594700	31-7	A161621701	24-21	A161626502	23-9	A161710300	29-29
A161571100	19-6	A161594800	31-27	A161621701	26-21	A161626502	23A-9	A161710405	29-24
A161576100	16-7	A161594900	31-28	A161621800	24-20	A161626602	23A-10	A161710500	29-8
A161576200	16-5	A161595000	32-18	A161621800	26-20	A161626602	23-10	A161711100	28-5
A161576300	16-4	A161595100	32-14	A161621900	24-17	A161626602	25-11	A161711200	28-26

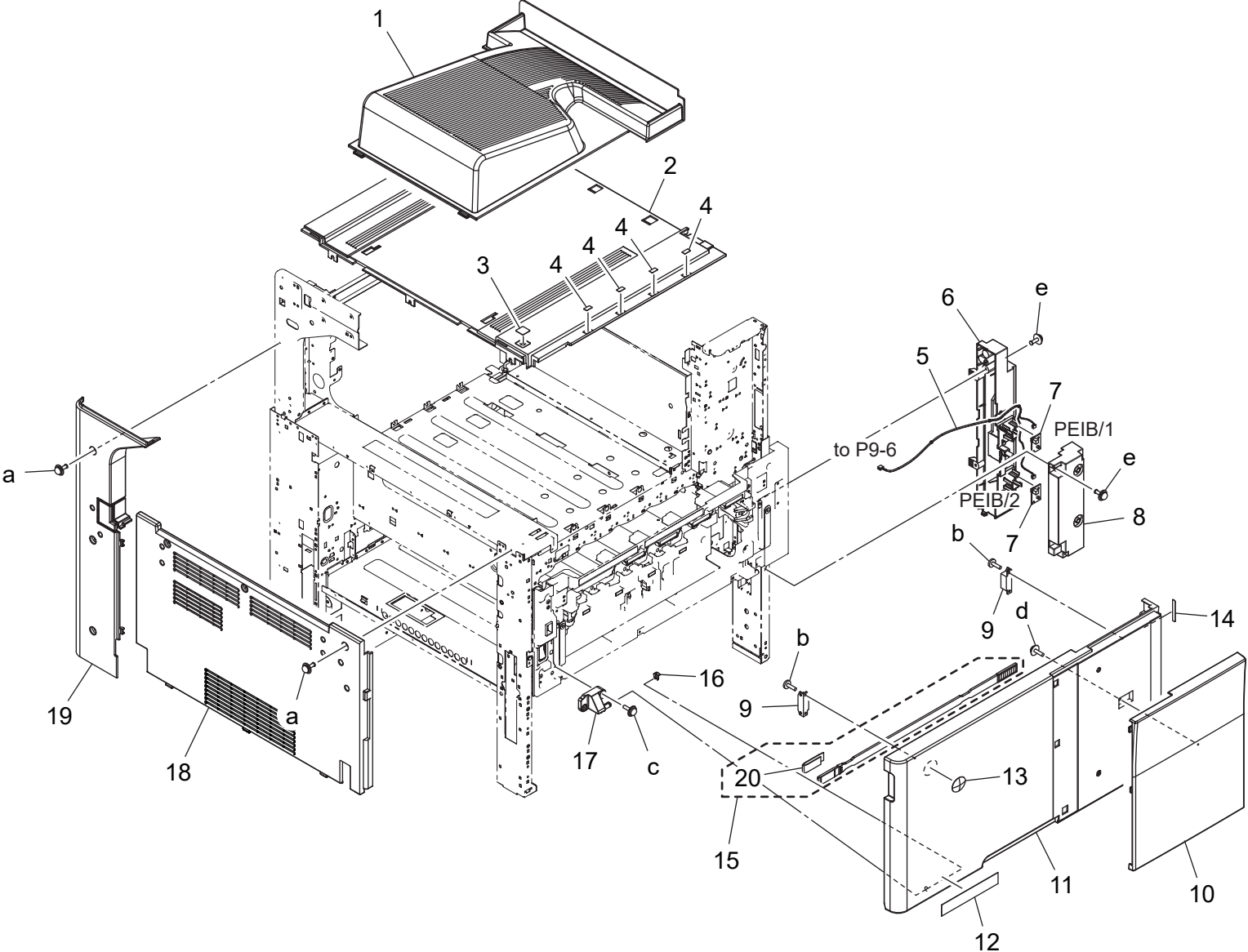
Parts No.	Page No.	Parts No.	Page No.	Parts No.	Page No.	Parts No.	Page No.	Parts No.	Page No.
A161711300	29-13	A161814901	34-24	A161897200	37-8	A161F89003	38-22	A161R71888	36-12
A161711600	29-17	A161815000	30-21	A161900100	38-24	A161H00U01	4-20	A161R72200	6-2
A161711700	29-14	A161815100	34-3	A161900201	38-31	A161M20101	42-12	A161R72644	38-21
A161711901	29-31	A161815300	30-16	A161900300	38-32	A161M20202	39-12	A161R73244	36-12
A161712000	29-19	A161815400	30-19	A161940400	1-14	A161M20300	39-3	A161R73311	15-36
A161712100	29-23	A161815800	34-12	A161941100	41-25	A161M20401	42-6	A1RF505400	42-16
A161712300	28-16	A161815900	30-17	A161942000	3-13	A161M50000	27-38	A1RF517100	39-2
A161712401	28-4	A161816200	30-22	A161942200	3-11	A161M50300	27-39	A1UD192400	21-9
A161712500	28-19	A161816300	29-26	A161942300	3-10	A161M50400	33-14	A1UD947400	51-6
A161712600	29-6	A161816400	34-17	A161942400	3-8	A161M50501	22-6	A1UDM50200	6-9
A161712700	28-3	A161819000	34-19	A161942500	3-7	A161M50600	22-5	A2X0901100	38-12
A161712800	29-21	A161819200	35-32	A161943000	3-3	A161M50A00	6-23	A2X0945701	2-5
A161712800	35-25	A161819500	35-13	A161943000	24-8	A161N10002	45-10	A2XK224100	41-20
A161712900	29-5	A161825000	35-31	A161943000	24A-8	A161N10102	45-11	A2XK400001	10-20
A161713100	29-7	A161825102	35-14	A161943000	26A-7	A161N10300	45-15	A2XK400100	10-21
A161713500	29-20	A161825301	35-7	A161943000	26-7	A161N10D00	27-24	A2XK400200	10-22
A161714500	29-18	A161825400	35-19	A161943100	23-14	A161N10F01	11-21	A2XKN10B00	10-23
A161714600	29-22	A161825700	29-9	A161943100	23A-14	A161N10H01	28-1	A3EW944600	5-10
A161719000	29-2	A161825700	35-10	A161943200	25-15	A161N10J00	15-23	A4EU138000	46-6
A161810305	30-20	A161825800	35-11	A161943200	25A-15	A161N10K00	1-5	A4NN0Y1	12-9
A161810503	35-28	A161826001	35-33	A161943301	51-8	A161N10P01	17-27	A4NN0Y1	12-9
A161810701	34-1	A161890300	38-27	A161943400	51-7	A161N10Q02	19-31	A4NNWY3	12-9
A161810801	35-5	A161891000	38-18	A161943700	24-2	A161N10Y02	14-4	A55V624700	23A-23
A161811001	30-10	A161891301	38-25	A161943700	24A-2	A161N11200	15-24	A55V624700	23-23
A161811100	30-12	A161891401	37-2	A161943700	26A-2	A161N11300	43-11	A55V624700	25-23
A161811302	30-14	A161892000	38-20	A161943700	26-2	A161N11C01	5-13	A55V624700	25A-23
A161811500	30-9	A161892100	38-13	A161946100	34-8	A161N11K00	43-12	A5C1101101	21-8
A161813001	35-26	A161892300	38-19	A161946200	29-15	A161N12100	35-4	A5C1102800	13-10
A161813100	35-27	A161892400	38-2	A161946300	27-11	A161N12200	31-4	A5C1104400	21-11
A161813200	35-18	A161892902	38-26	A161946400	29-11	A161N12701	19-5	A5C1104700	21-18
A161813300	34-14	A161893601	38-10	A161F10901	41-23	A161N12801	11-15	A5C1104800	21-6
A161813400	35-21	A161894000	37-6	A161F16102	3-2	A161N12H00	27-37	A5C1105500	13-11
A161813600	35-8	A161894000	38-8	A161F21100	39-14	A161N14100	6-5	A5C1106000	21-19
A161813701	34-6	A161894100	37-7	A161F21200	39-18	A161N14201	6-12	A5C1112101	15-22
A161813801	34-15	A161895113	38-29	A161F25013	42-4	A161N15J00	46-10	A5C1112800	15-6
A161813902	35-22	A161895300	37-4	A161F25102	41-10	A161R70322	43-9	A5C1112900	15-19
A161814401	35-2	A161895400	38-4	A161F56028	17-25	A161R70511	39-26	A5C1120700	10-1
A161814500	35-16	A161895502	38-7	A161F56101	16-6	A161R71433	28-23	A5C1120800	10-1
A161814601	34-5	A161895600	38-9	A161F59002	31-15	A161R71433	28-23	A5C1121100	36-7
A161814700	34-9	A161895800	38-30	A161F81103	34-21	A161R71788	36-12	A5C1121202	30-6

Parts No.	Page No.	Parts No.	Page No.	Parts No.	Page No.	Parts No.	Page No.	Parts No.	Page No.
A5C1130800	45-4	A5C1591900	31-3	A5C1822000	34-4	A64J709100	29-3	A797105400	13-2
A5C1134100	46-8	A5C1624300	23-8	A5C1825000	35-30	A64J719100	29-30	A797245300	12-13
A5C1134111	46-8	A5C1624300	23A-8	A5C1825500	35-29	A64J815500	30-15	A79J566000	24A-20
A5C1134200	46-5	A5C1624300	25-9	A5C1890100	38-23	A64J891200	38-35	A79J566000	26A-20
A5C1134800	43-13	A5C1624300	25A-9	A5C1890401	38-11	A64J891500	38-36	A79J620100	24A-35
A5C1135300	9-4	A5C1625001	23A-15	A5C1891100	38-33	A64JR71400	12-12	A79J622500	24A-21
A5C1137800	45-12	A5C1625001	23-15	A5C1900400	38-34	A795565000	24A-24	A79J622500	26A-21
A5C1140300	36-6	A5C1627101	22-9	A5C1900500	38-16	A795565000	26A-24	A79J623100	23A-4
A5C1142001	43-14	A5C1627300	22-10	A5C1900600	38-28	A795565100	24A-25	A79J630100	26A-35
A5C1148100	36-16	A5C1627900	22-11	A5C1F42000	11-13	A795565100	26A-25	A79J633100	25A-4
A5C1149400	36-5	A5C1628000	22-4	A5C1M10A00	8-2	A795565200	24A-26	A79J821000	35-35
A5C1160401	1-6	A5C1628000	22-4	A5C1M10A00	8-2	A795565200	24A-26	A79J941200	23-5
A5C1167800	4-22	A5C1628100	23-19	A5C1M50100	6-13	A795565200	26A-26	A79J941200	23A-5
A5C1192100	51-5	A5C1628100	25-20	A5C1M50100	11-22	A795565300	24A-27	A79J941200	25A-5
A5C1228700	41-26	A5C1628500	23A-19	A5C1M50100	17-8	A795565300	26A-27	A79J941200	25A-5
A5C1231300	41-18	A5C1628500	23-19	A5C1M50100	19-9	A795565400	24A-28	A79J941200	25-5
A5C1254600	41-27	A5C1628500	25A-20	A5C1M50100	22-13	A795565400	26A-28	A79J941300	23A-20
A5C1263300	6-10	A5C1628500	25-20	A5C1M50100	27-33	A795565500	24A-29	A79J941300	23-20
A5C1263400	6-26	A5C1635001	25A-16	A5C1M50100	28-10	A795565500	26A-29	A79J941500	23A-6
A5C1280100	6-18	A5C1635001	25-16	A5C1M50100	29-27	A795565600	24A-30	A79J941500	23-6
A5C1404500	10-15	A5C1700101	27-8	A5C1M50100	31-2	A795565600	26A-30	A79J943500	25A-6
A5C1404600	11-28	A5C1700800	27-18	A5C1M50100	32-24	A795565700	24A-31	A79J943500	25-6
A5C1551701	28-18	A5C1701400	27-16	A5C1M50100	33-6	A795565700	26A-31	A79J943600	25A-7
A5C1560600	17-3	A5C1703200	27-23	A5C1M50100	35-12	A795565800	24A-32	A79J943600	25-7
A5C1560600	19-11	A5C1710200	29-12	A5C1M72H00	46-9	A795565800	26A-32	A79JPJG000	50-20
A5C1562200	17-30	A5C1710900	28-8	A5C1M92000	4-11	A795565900	24A-33	A79JR72111	23A-22
A5C1562200	19-34	A5C1711000	28-6	A5C1N10B00	4-29	A795565900	26A-33	A79JR72211	25A-22
A5C1563100	18-1	A5C1711500	29-16	A5C1N10D00	4-29	A795620800	24A-16	A7AH621000	24A-22
A5C1563100	20-1	A5C1711800	28-13	A5C1N14300	8-1	A795620800	26A-16	A7AH621000	26A-22
A5C1563400	18-9	A5C1715100	28-5	A5C1N30000	45-8	A795621301	24A-17	A7AH621200	24A-23
A5C1563400	20-10	A5C1810603	35-6	A5C1R70800	18-19	A795621301	26A-17	A7AH621200	26A-23
A5C1563500	18-4	A5C1811600	30-18	A5C1R70800	20-20	A795621900	24A-34	A7AH624300	23-8
A5C1563500	20-4	A5C1811700	35-1	A5C1R71600	1-15	A795621900	26A-34	A7AH624300	25-9
A5C1564101	18-17	A5C1811803	35-34	A5C1R90000	6-25	A795622600	24A-18	A7AHM50400	27-29
A5C1564101	20-18	A5C1811901	35-23	A5C1R90000	15-21	A795622600	26A-18	A7PU100600	44-11
A5C1565500	17-6	A5C1814200	35-20	A5C4N10500	36-14	A795622700	24A-19	A7PU101500	44-13
A5C1565600	18-20	A5C1814300	34-23	A61F100600	44-12	A795622700	26A-19	A7PU102201	21-2
A5C1565600	20-21	A5C1815200	30-13	A61FM90200	46-27	A795942401	23-7	A7PU102301	21-5
A5C1590500	30-11	A5C1815700	34-11	A61FN12A00	3-16	A795942401	23A-7	A7PU104000	21-17
A5C1591200	31-26	A5C1819600	34-22	A64J257800	39-1	A795942401	25A-8	A7PU106100	22-14
		A5C1819700	34-16	A64J363700	12-1	A795942401	25-8	A7PU109000	15-18

Parts No.	Page No.	Parts No.	Page No.	Parts No.	Page No.	Parts No.	Page No.	Parts No.	Page No.
A7PU109100	2-22	A7PU160100	1-2	A7PU405100	10-3	A7PU825500	35-29	A7PUN10100	48-1
A7PU130200	44-15	A7PU160200	1-11	A7PU405300	10-3	A7PU890200	38-14	A7PUN10201	49-1
A7PU130300	9-8	A7PU160700	1-18	A7PU407001	11-29	A7PU890700	38-17	A7PUN10302	2-1
A7PU130400	46-15	A7PU160800	1-19	A7PU407100	11-30	A7PU890800	38-37	A7PUN10401	22-1
A7PU130800	45-2	A7PU160902	2-15	A7PU567500	18-23	A7PU940600	5-2	A7PUN10501	22-2
A7PU130811	45-2	A7PU161400	4-19	A7PU567600	18-22	A7PU942100	3-12	A7PUN10600	9-11
A7PU130900	46-7	A7PU161501	4-4	A7PU567700	18-21	A7PU942600	3-9	A7PUN10700	46-17
A7PU131101	46-4	A7PU161600	2-21	A7PU568400	18-7	A7PU944100	33-5	A7PUN10800	46-13
A7PU131603	46-18	A7PU161701	4-25	A7PU569100	16-3	A7PU944200	33-5	A7PUN10900	33-17
A7PU131905	46-2	A7PU161806	2-13	A7PU577500	20-24	A7PU944301	33-4	A7PUN10A00	32-23
A7PU132100	43-4	A7PU161900	4-16	A7PU577600	20-23	A7PU944401	33-1	A7PUN10B01	33-19
A7PU132301	2-9	A7PU162100	2-2	A7PU577700	20-22	A7PU944500	32-35	A7PUN14000	7-5
A7PU132502	43-2	A7PU162200	2-6	A7PU578400	20-8	A7PU944600	34-26	A7PUN14500	7-2
A7PU133100	46-16	A7PU162600	4-3	A7PU592000	33-13	A7PU944900	32-9	A7PUN15200	46-10
A7PU133200	45-3	A7PU164100	4-14	A7PU592100	33-3	A7PU947001	51-11	A7PUN15300	4-13
A7PU133211	45-3	A7PU166101	51-10	A7PU593000	32-5	A7PU947101	51-11	A7PUN15600	4-31
A7PU134500	46-1	A7PU166303	2-4	A7PU593100	32-8	A7PU947302	51-11	A7PUR70500	13-8
A7PU134600	46-7	A7PU166316	2-4	A7PU593200	32-7	A7PUF21000	12-10	A7PUR70611	13-7
A7PU134700	46-26	A7PU168201	51-2	A7PU593201	32-7	A7PUF60000	33-11	A7PUR70700	44-4
A7PU134800	46-25	A7PU168301	2-11	A7PU593500	33-12	A7PUH00500	9-6	A7PUR70911	39-9
A7PU135402	4-15	A7PU168400	2-17	A7PU593700	33-16	A7PUH00800	9-9	A7PUR71000	7-8
A7PU135500	3-22	A7PU168500	4-5	A7PU594000	32-34	A7PUH01A01	6-21	A7PUR71111	6-19
A7PU135700	45-7	A7PU168600	4-6	A7PU595500	32-6	A7PUH01D00	6-21	A7PUR71200	9-12
A7PU137301	4-30	A7PU168702	2-14	A7PU596000	32-32	A7PUH0211G	46-3	A7PUR71322	10-18
A7PU138002	4-10	A7PU168800	3-21	A7PU596100	32-4	A7PUM10000	39-5	A7PUR71422	10-18
A7PU138100	4-8	A7PU169900	51-1	A7PU596200	32-2	A7PUM10000	42-2	A7PUR71722	31-29
A7PU138200	4-7	A7PU170101	5-9	A7PU596700	32-30	A7PUM10100	39-6	A7PUR71822	31-29
A7PU138301	4-9	A7PU170200	5-1	A7PU596900	31-30	A7PUM10200	39-7	A7PUR71900	43-6
A7PU139000	44-5	A7PU170300	5-12	A7PU599300	33-20	A7PUM10300	34-20	A7PUR72011	40-16
A7PU139100	44-6	A7PU170400	5-6	A7PU627500	22-3	A7PUM10400	37-1	A7PUR72111	41-28
A7PU139800	46-19	A7PU170600	5-4	A7PU700111	27-25	A7PUM10600	40-3	A7PUR72200	23-22
A7PU139900	46-25	A7PU170702	5-3	A7PU701000	27-42	A7PUM10700	11-16	A7PUR72322	25-22
A7PU140100	46-14	A7PU216100	39-4	A7PU701100	27-43	A7PUM10700	40-2	A7PUR72411	28-25
A7PU141800	43-8	A7PU240101	40-4	A7PU701200	27-7	A7PUM10700	42-1	A7PUR72622	10-18
A7PU142300	36-18	A7PU241200	40-14	A7PU810101	34-2	A7PUM40600	43-10	A7PUR72700	44-4
A7PU143300	36-17	A7PU241500	40-12	A7PU810200	34-13	A7PUM70004	4-1	A7PUR73100	4-21
A7PU143400	36-19	A7PU241600	40-1	A7PU810800	35-5	A7PUM70104	4-1	A7PUR75200	7-4
A7PU145900	9-14	A7PU270100	7-10	A7PU810900	35-24	A7PUM70403	4-1	A7PUR75200	7-4
A7PU146000	9-15	A7PU270600	7-12	A7PU811300	34-21	A7PUM72100	4-12	A7PUR75311	34-27
A7PU147400	9-13	A7PU402000	10-3	A7PU819600	34-22	A7PUM92500	46-23	A7R0940100	1-12

Parts No.	Page No.
A7R0N10001	47-1
A7R0N11001	47-1
A8JEN30200	45-8
A9HJR70611	16-9
V116030804	51-9
V500010052	50-7
V500010081	50-1
V500010082	50-2
V500010083	50-3
V500010084	50-4
V500010085	50-19
V500020040	51-12
V500020052	50-9
V500020069	50-15
V500020073	50-21
V500020082	50-10
V500020098	50-5
V500020099	50-6
V500020100	50-8
V500020101	50-18
V500020110	50-17
V502010026	44-14
V503010002	46-20
V570010021	50-11
V570010050	50-16
V570010057	50-12
V570010059	50-13
V570010060	50-14
V651010002	44-8
V651010025	46-22
V651010045	45-13
V800500300	27-22
V800500300	28-7
V864800107	46-24

EXTERNAL PARTS

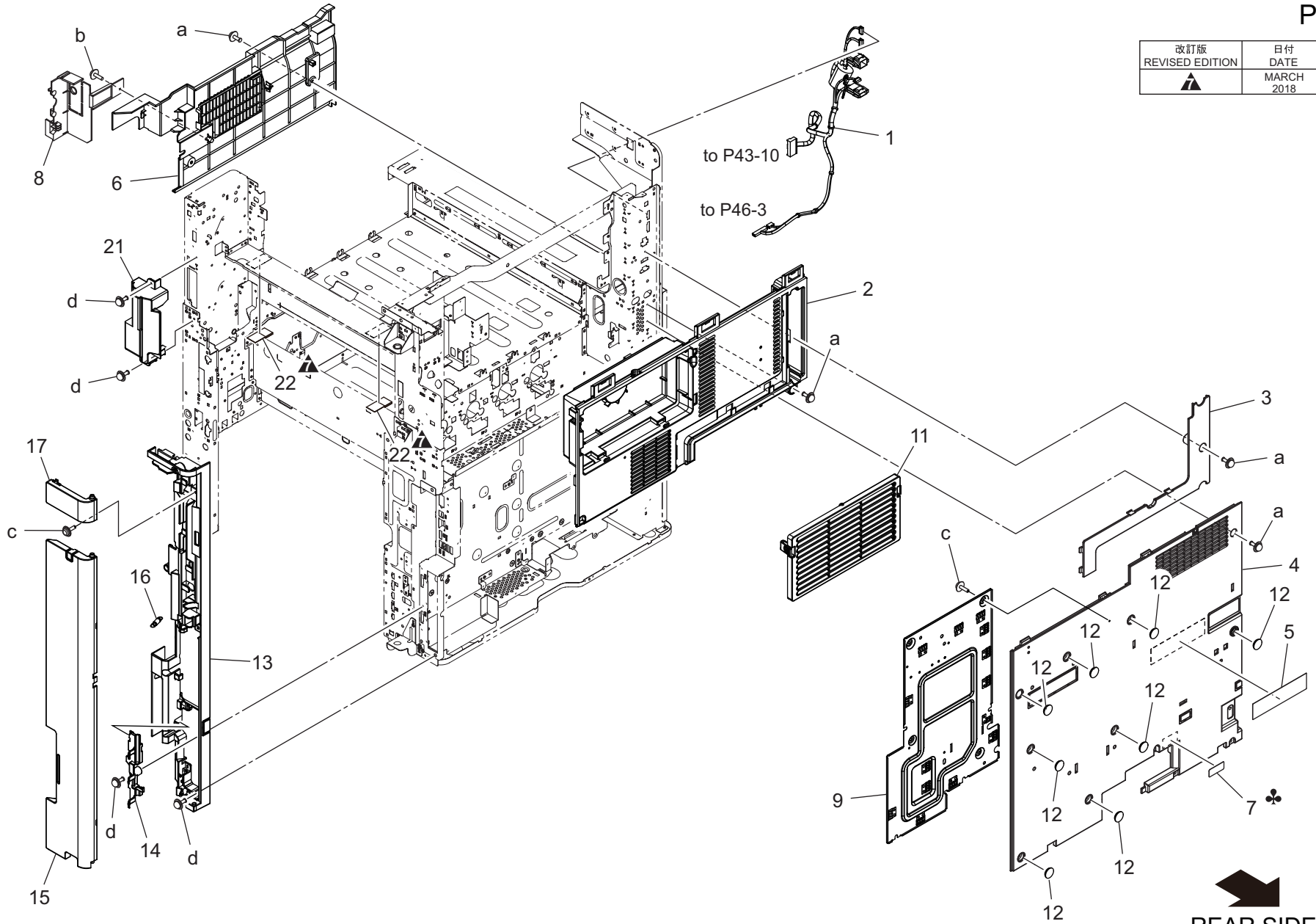


EXTERNAL PARTS

Key	Part No.	Description	Destinations	Class	QTY	Standard parts
1	A161161002	Tray		C	1	a-V116030804 b-V149030803 c-V153030803 d-V153031004 e-V116030803
2	A7PU160100	Cover /Upper		C	1	
3	A0ED163000	Seal		C	1	
4	A0ED940700	Label Toner 2		D	4	
5	A161N10K00	Indicating Wiring		D	1	
6	A5C1160401	Cover		C	1	
7	A00JH00D00	PWB Assembly LED1		C	2	
8	A161160300	Cover		C	1	
9	A0G6411200	Magnet /X		D	2	
10	A161161303	Open/close Cover /Front		C	1	
11	A7PU160200	Open/close Cover /Front		C	1	
12	A7R0940100	Label bizhub C258		C	1	
13	A00J945500	Logo Mark		C	1	
14	A161940400	Label		C	1	
15	A5C1R71600	Cleaning Material		C	1	
16	56AA40490	SHAFT STOPPER 4		C	1	
17	A161165602	Support Shaft		C	1	
18	A7PU160700	Cover /Left		C	1	
19	A7PU160800	Cover /Left		C	1	
20	A00J106202	Cleaning Pad		C	1	

EXTERNAL PARTS

改訂版 REVISED EDITION	日付 DATE
	MARCH 2018

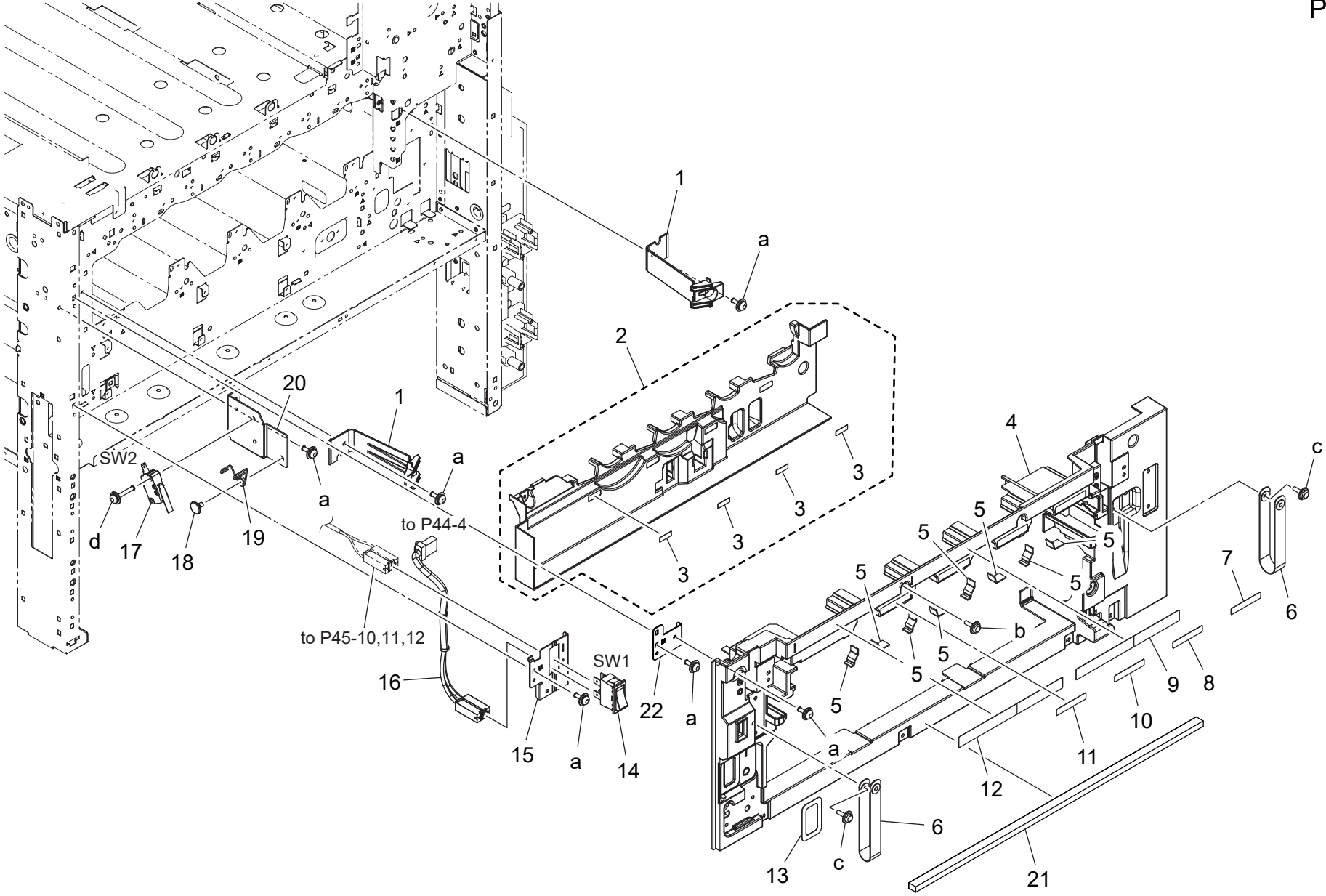



REAR SIDE
 bizhub C258

EXTERNAL PARTS

Key	Part No.	Description	Destinations	Class	QTY	Standard parts	
1	A7PUN10302	FNS Relay harness		D	1	a-V116030804 b-V153030804 c-V153030803 d-V116030803	
2	A7PU162100	Cover		C	1		
3	A161163503	Cover		C	1		
4	A7PU166303Old	Cover		C	1		
4	A7PU166316	Cover		C	1		
5	A2X0945701	Label		C	1		
6	A7PU162200	Cover		C	1		
7	A02E149900	Label	A,A1	C	1		
8	A161162803	Cover		C	1		
9	A7PU132301	Shield Plate		C	1		
11	A7PU168301	Cover		C	1		
12	A00J169100	Cover		D	8		
13	A7PU161806	Cover		C	1		
14	A7PU168702	Cover		D	1		
15	A7PU160902	Cover		C	1		
16	A161163900	Pulling Coil spring		C	1		
17	A7PU168400	Fixing Part		D	1		
21	A7PU161600	Cover		C	1		
22	A7PU109100	Cushion		C	2		

INNER COVER SECTION

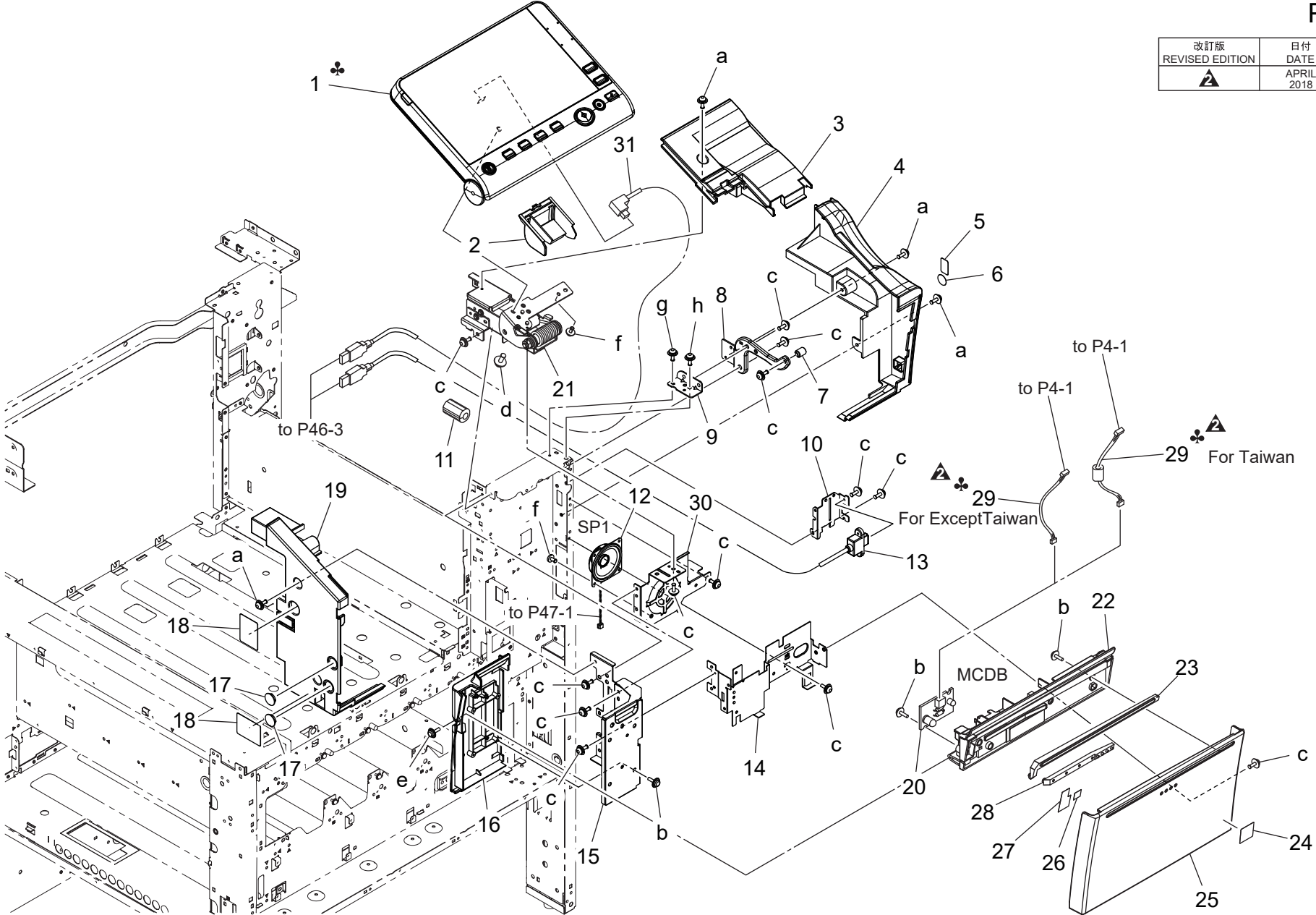


INNER COVER SECTION

Key	Part No.	Description	Destinations	Class	QTY	Standard parts
1	A161165700	Fixing Claw		D	2	a-V116030803 b-V153030804 c-V153031003 d-V116031603
2	A161F16102	Cover Front(2nd)		C	1	
3	A161943000	Label		C	4	
4	A161165007	Cover /Front		C	1	
5	A161165300	Protection Part		C	8	
6	A0ED162401	Band		D	2	
7	A161942500	Label DR/K		D	1	
8	A161942400	Label DR/C		D	1	
9	A7PU942600	Label		D	1	
10	A161942300	Label DR/M		D	1	
11	A161942200	Label DR/Y		D	1	
12	A7PU942100	Label		D	1	
13	A161942000	Label		D	1	
14	4038M60000	SEESAW-SWITCH		C	1	
15	A161135100	Mounting Plate		D	1	
16	A61FN12A00	AC Wiring /A		D	1	
17	9J06M60100	MICRO SWITCH		C	1	
18	4038228702	SHOULDER SCREW		C	1	
19	A161151300	Torsion Coil spring		D	1	
20	A161151100	Mounting Plate		D	1	
21	A7PU168800	Seal		C	1	
22	A7PU135500	Mounting Plate		D	1	

OPERATION PANEL SECTION

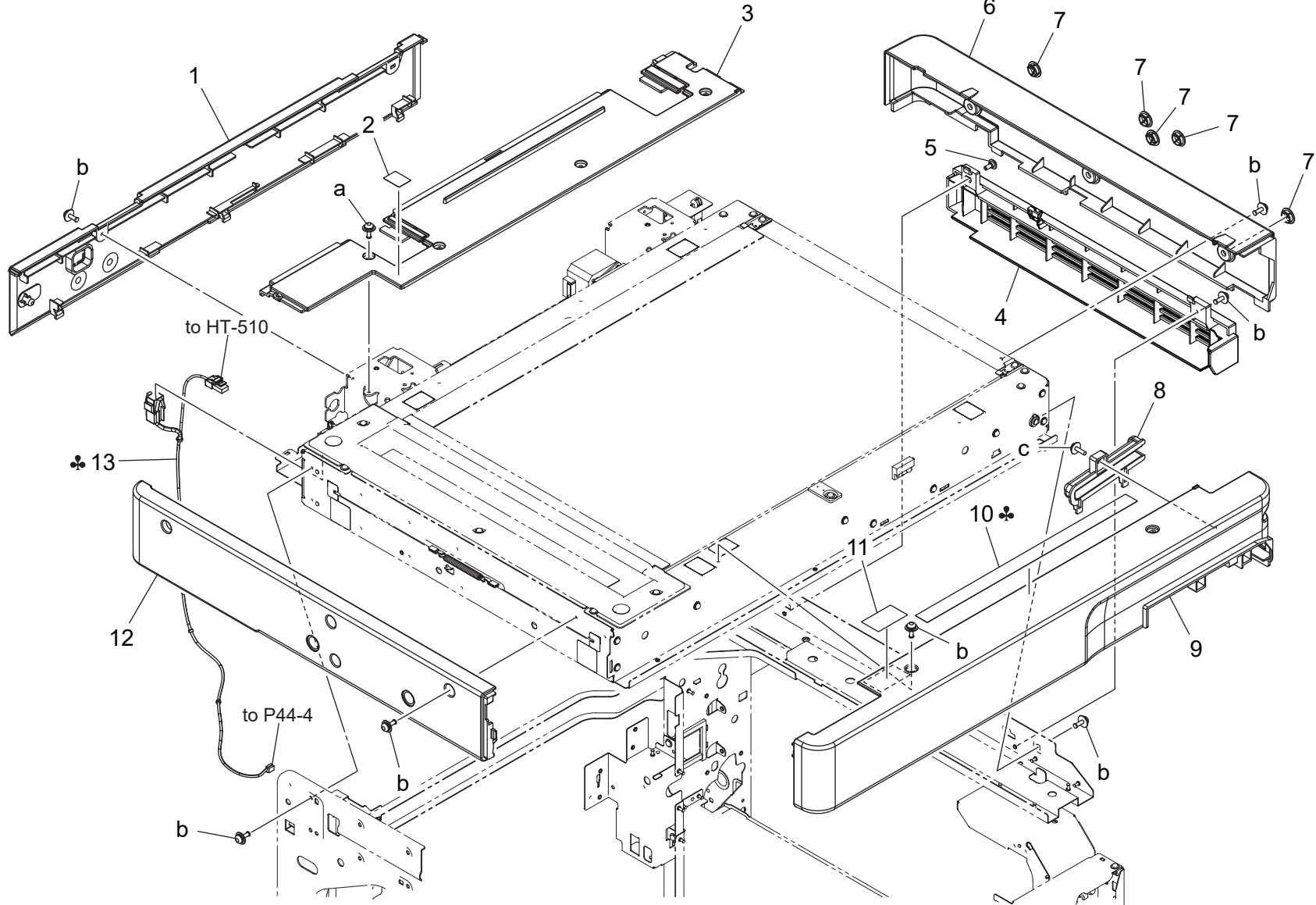
改訂版 REVISED EDITION	日付 DATE
	APRIL 2018



OPERATION PANEL SECTION

Key	Part No.	Description	Destinations	Class	QTY	Standard parts
1	A7PUM70004	Panel assembly	A,A1	I	1	a-V116030804 b-V153030803 c-V116030803 d-V125041003 e-V153030804 f-V126030603 g-V116030603 h-V137030803
1	A7PUM70104	Panel assembly	B,G2	I	1	
1	A7PUM70403	Panel assembly	H	I	1	
2	A161190903	Cover		C	1	
3	A7PU162600	Cover		C	1	
4	A7PU161501	Cover		C	1	
5	A7PU168500	Seal		C	1	
6	A7PU168600	Seal		C	1	
7	A7PU138200	Connecting Shaft		D	1	
8	A7PU138100	Reinforce Plate		D	1	
9	A7PU138301	Reinforce Plate		D	1	
10	A7PU138002	Mounting Plate		D	1	
11	A5C1M92000	Ferritecore		D	1	
12	A7PUM72100	Speaker		D	1	
13	A7PUN15300	Interface Cable		D	1	
14	A7PU164100	Mounting Plate		D	1	
15	A7PU135402	Support Plate		D	1	
16	A7PU161900	Cover		C	1	
17	A00J169100	Cover		D	2	
18	A161162400	Seal		C	2	
19	A7PU161400	Cover		C	1	
20	A161H00U01	PWB Assembly(PWB-LED ASSY)		C	1	
21	A7PUR73100	Mounting Plate Assy		C	1	
22	A5C1167800	Light blocking Cover		D	1	
23	A161167000	Lens		D	1	
24	A011946200	Label Emperon		D	1	
25	A7PU161701	Cover		C	1	
26	A161167400	Light blocking Sheet /2		D	1	
27	A161167300	Light blocking Sheet /1		D	1	
28	A161167100	Lens		D	1	
29	A5C1N10B00	Indicating Wiring/3	A,A1,B,G2	D	1	
29	A5C1N10D00	InIndicating Wiring/4	H	D	1	
30	A7PU137301	Mounting Plate		D	1	
31	A7PUN15600	Interface Cable		D	1	

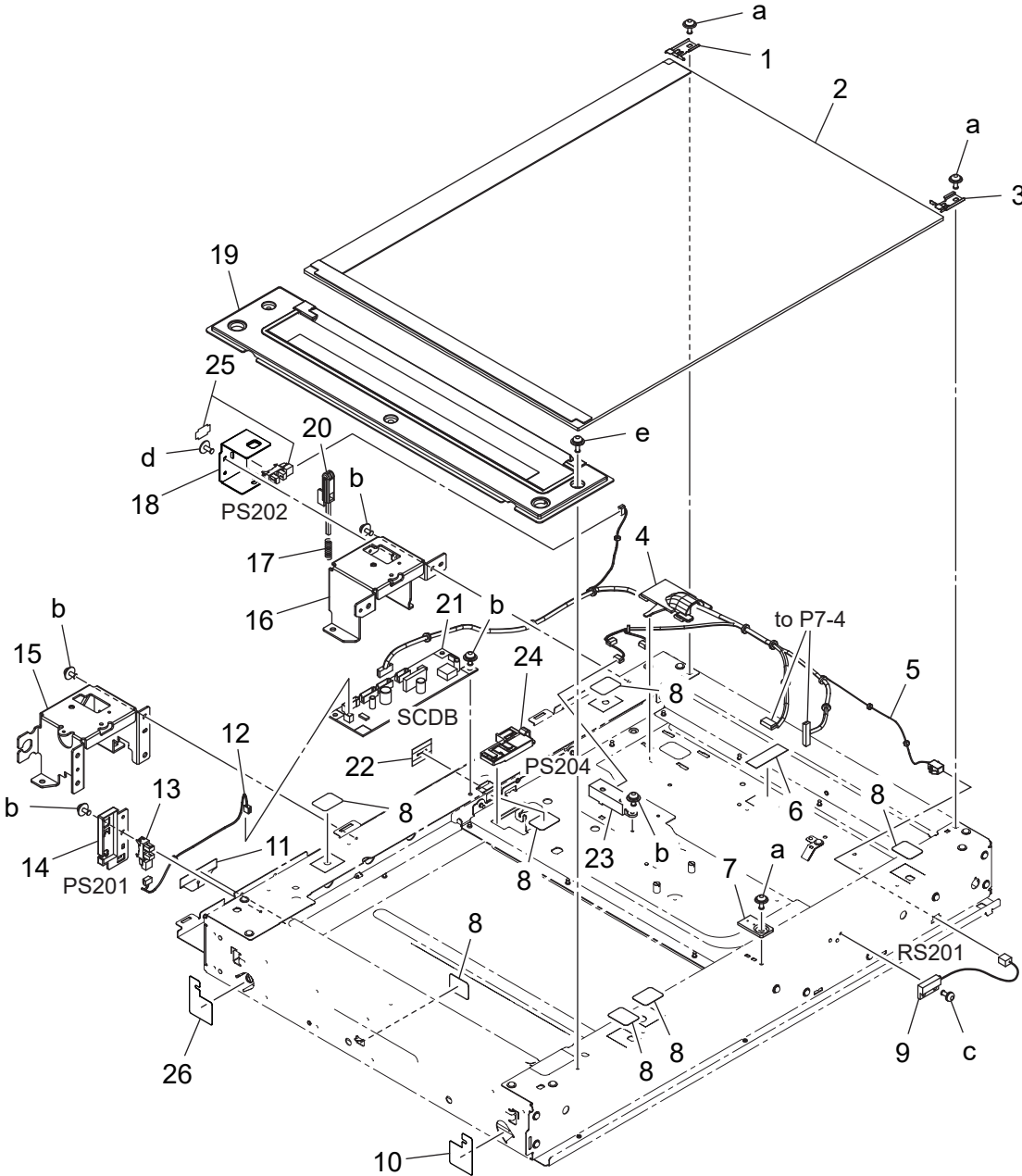
IR COVER SECTION



IR COVER SECTION

Key	Part No.	Description	Destinations	Class	QTY	Standard parts
1	A7PU170200	Read Cover /Rear		C	1	a-V116030804 b-V116030803 c-V153030803
2	A7PU940600	Label		D	1	
3	A7PU170702	Read Cover		C	1	
4	A7PU170600	Read Cover		C	1	
5	A00J169300	Shoulder screw		C	1	
6	A7PU170400	Read Cover /Right		C	1	
7	A02E167700	Cover		C	5	
8	A161170800	Holder		D	1	
9	A7PU170101	Read Cover /Front		C	1	
10	A3EW944600	Label	A,A1	C	1	
11	A0HF952400	Label		C	1	
12	A7PU170300	Read Cover /Left		C	1	
13	A161N11C01	Scanner Relay harness /100V	A,A1	D	1	

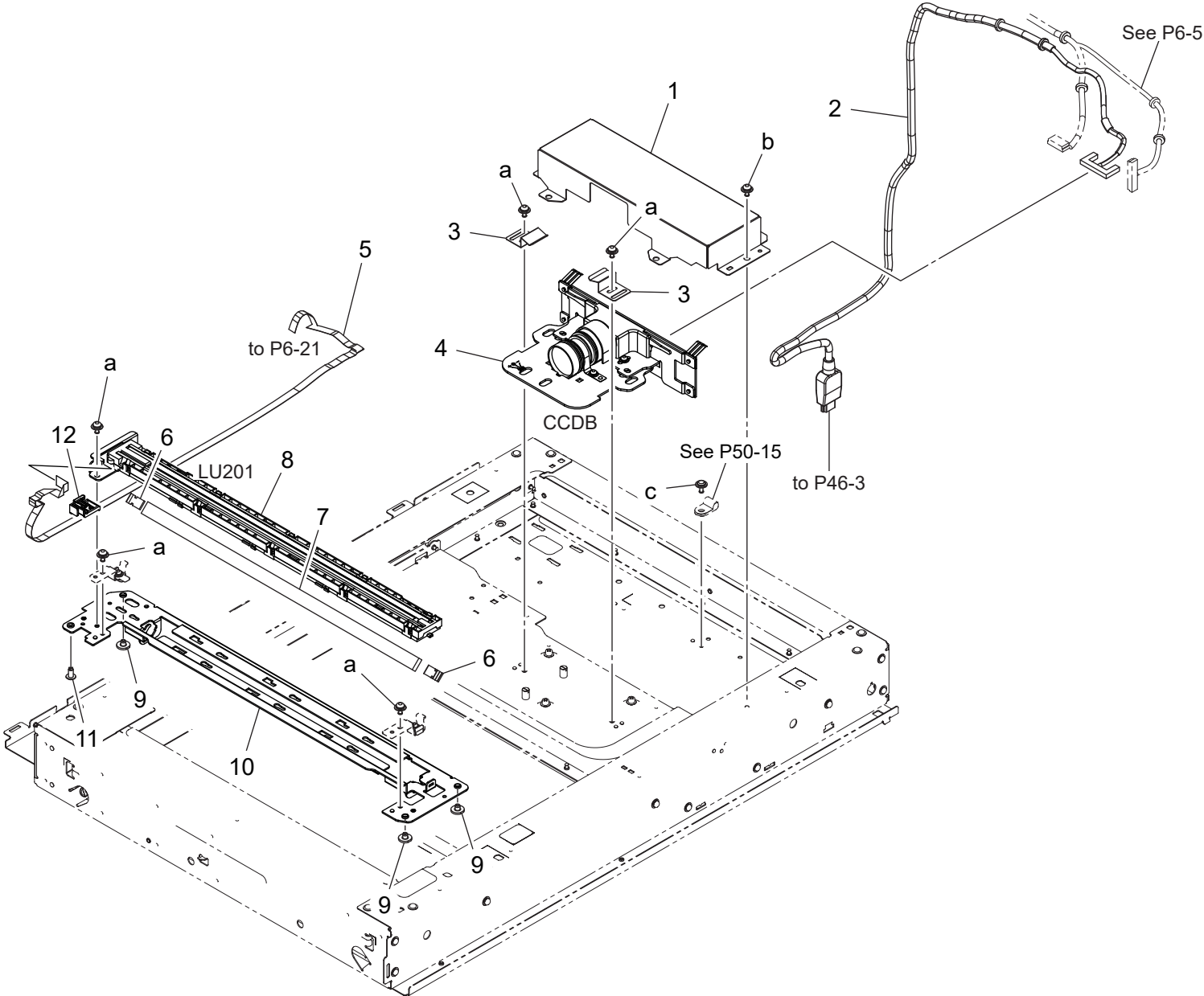
SCANNER SECTION



SCANNER SECTION

Key	Part No.	Description	Destinations	Class	QTY	Standard parts
1	A161268300	Holding Plate		D	1	a-V121030604 b-V116030603 c-V115030603 d-V137030603 e-V116030804
2	A161R72200	Original Glass Assy		C	1	
3	A161268200	Holding Plate		D	1	
4	A161281600	Guide		D	1	
5	A161N14100	Scanner Wiring /1		D	1	
6	4036307501	Tape		D	1	
7	A00J265300	Regulating Plate		C	1	
8	4581162501	SEAL		C	7	
9	A1UDM50200	Lead Switch		C	1	
10	A5C1263300	Seal		C	1	
11	A161263000	Seal		D	1	
12	A161N14201	Scanner Wiring /2		D	1	
13	A5C1M50100	Photointerrupter		B	1	
14	A161262200	Cover		D	1	
15	A161261902	Frame		D	1	
16	A161262002	Frame		D	1	
17	A161280300	Compressing Coil spring		C	1	
18	A5C1280100	Mounting Plate		D	1	
19	A7PUR71111	Slit Glass Assy		C	1	
20	A161280211	Lever		D	1	
21	A7PUH01A01	PWB Assembly (ID)		I	1	
21	A7PUH01D00	PWD-ID	(Except Refresh Model)	I	1	
22	A161281300	Seal	(Refresh Model)	D	1	
23	A161M50A00	APS Photoreflector		C	1	
24	A161281100	Guide		D	1	
25	A5C1R90000	Photo Interrupter		B	1	
26	A5C1263400	Seal		C	1	


SCANNER SECTION

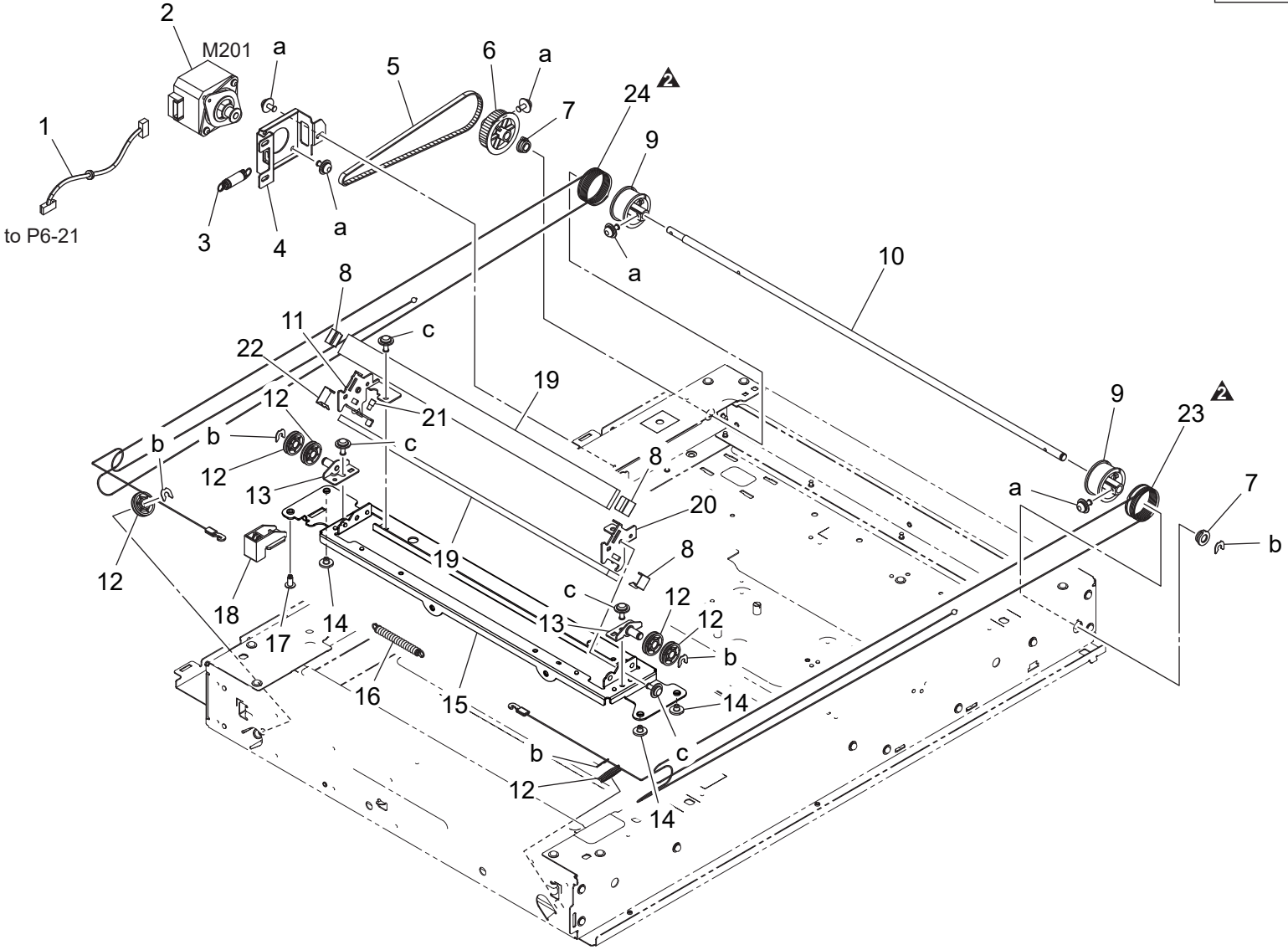


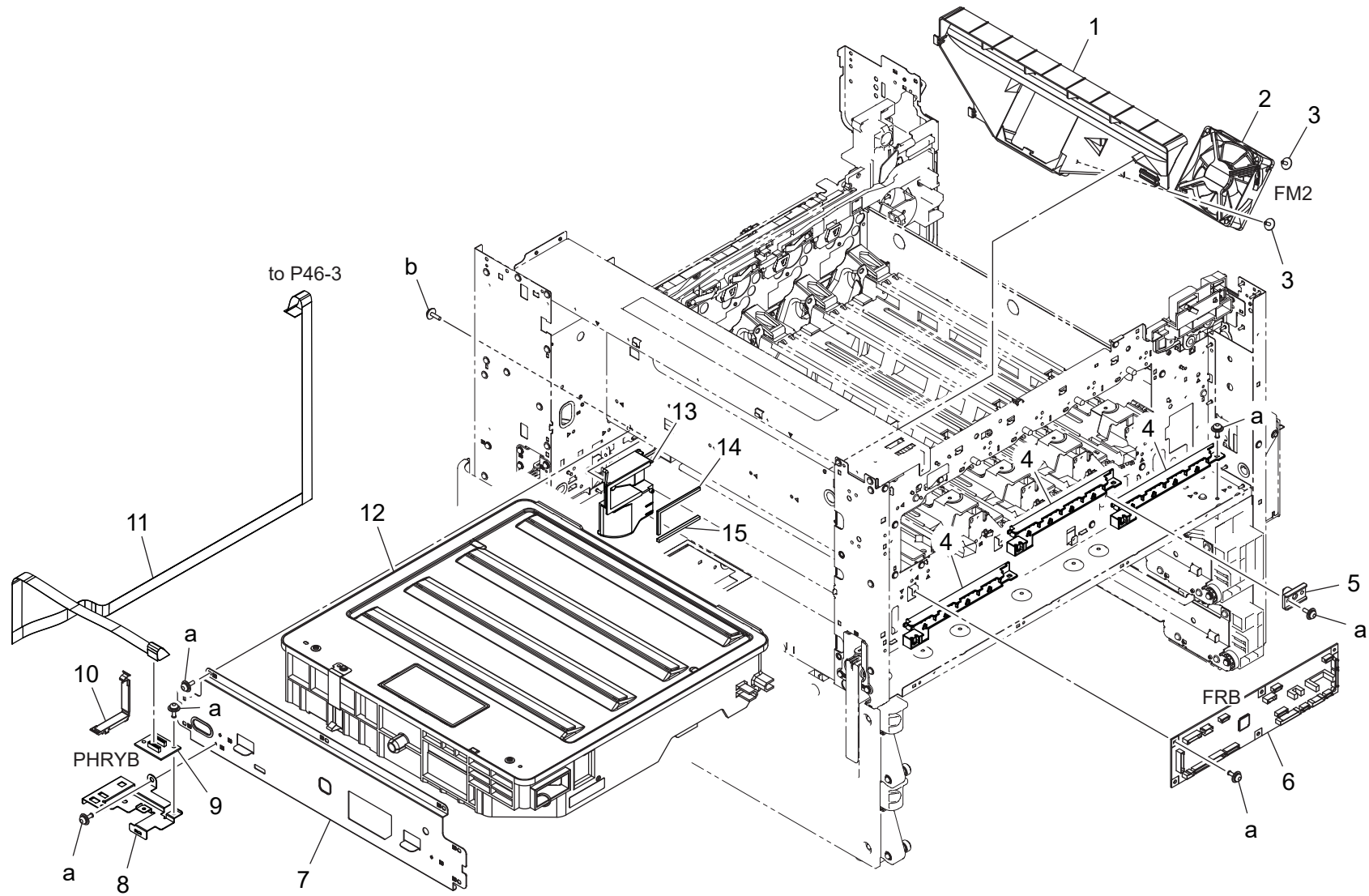
SCANNER SECTION

Key	Part No.	Description	Destinations	Class	QTY	Standard parts
1	A161278600	Cover		D	1	a-V116030603 b-V127030516 c-V137030804
2	A7PUN14500	CCD Cable		D	1	
3	A161278900	Plate spring		D	2	
4	A7PUR75200	CCD Lens Assy		I	1	
4	A7PUR75200	CCD Lens Assy		I	1	
5	A7PUN14000	Flatcable /Scanner		D	1	
6	A0ED271300	Plate spring		D	2	
7	A0ED271200	Mirror		D	1	
8	A7PUR71000	LED Lighting Assy		I	1	
9	A161271000	Bushing		D	3	
10	A7PU270100	Frame		D	1	
11	A161271100	Bushing		D	1	
12	A7PU270600	Guide		D	1	

SCANNER SECTION

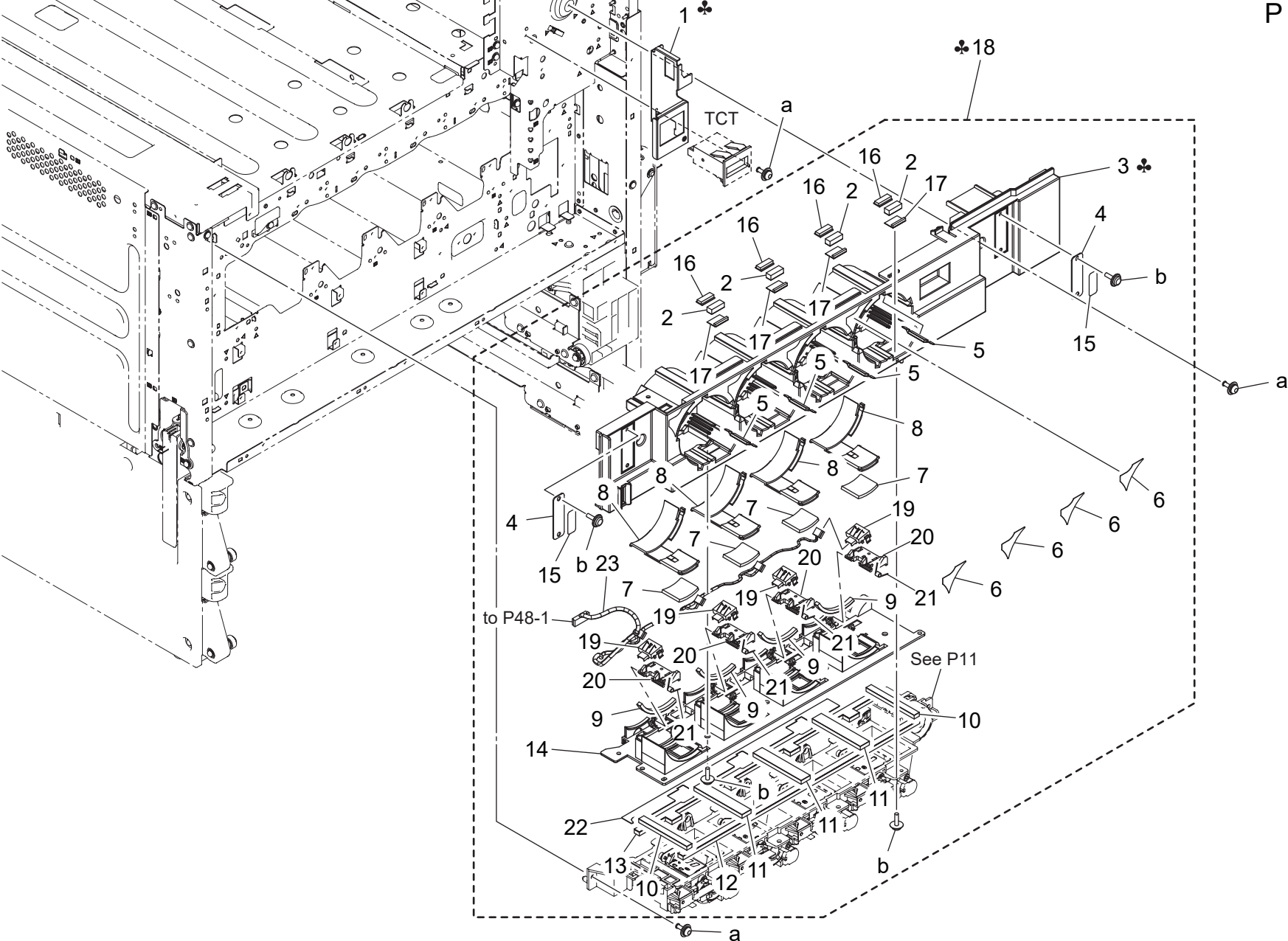
改訂版 REVISED EDITION	日付 DATE
	MAY 2017





Key	Part No.	Description	Destinations	Class	QTY	Standard parts
1	A161140200	Duct		D	1	a-V116030803 b-V153030803
2	4139M10000	Fan motor		B	1	
3	4163529301	SCREW		C	2	
4	A5C1135300	Guide		D	3	
5	A161105400	Positioning Plate		D	1	
6	A7PUH00500	PWB Assembly (FRB)		I	1	
7	A161101802	Mounting Plate		D	1	
8	A7PU130300	Mounting Plate		D	1	
9	A7PUH00800	PHRYB		C	1	
10	A161137802	Holder		D	1	
11	A7PUN10600	I/F Flatcable		C	1	
12	A7PUR71200	Print Head Assy		I	1	
13	A7PU147400	Duct		D	1	
14	A7PU145900	Seal		C	1	
15	A7PU146000	Seal		C	1	

TONER SUPPLY SECTION

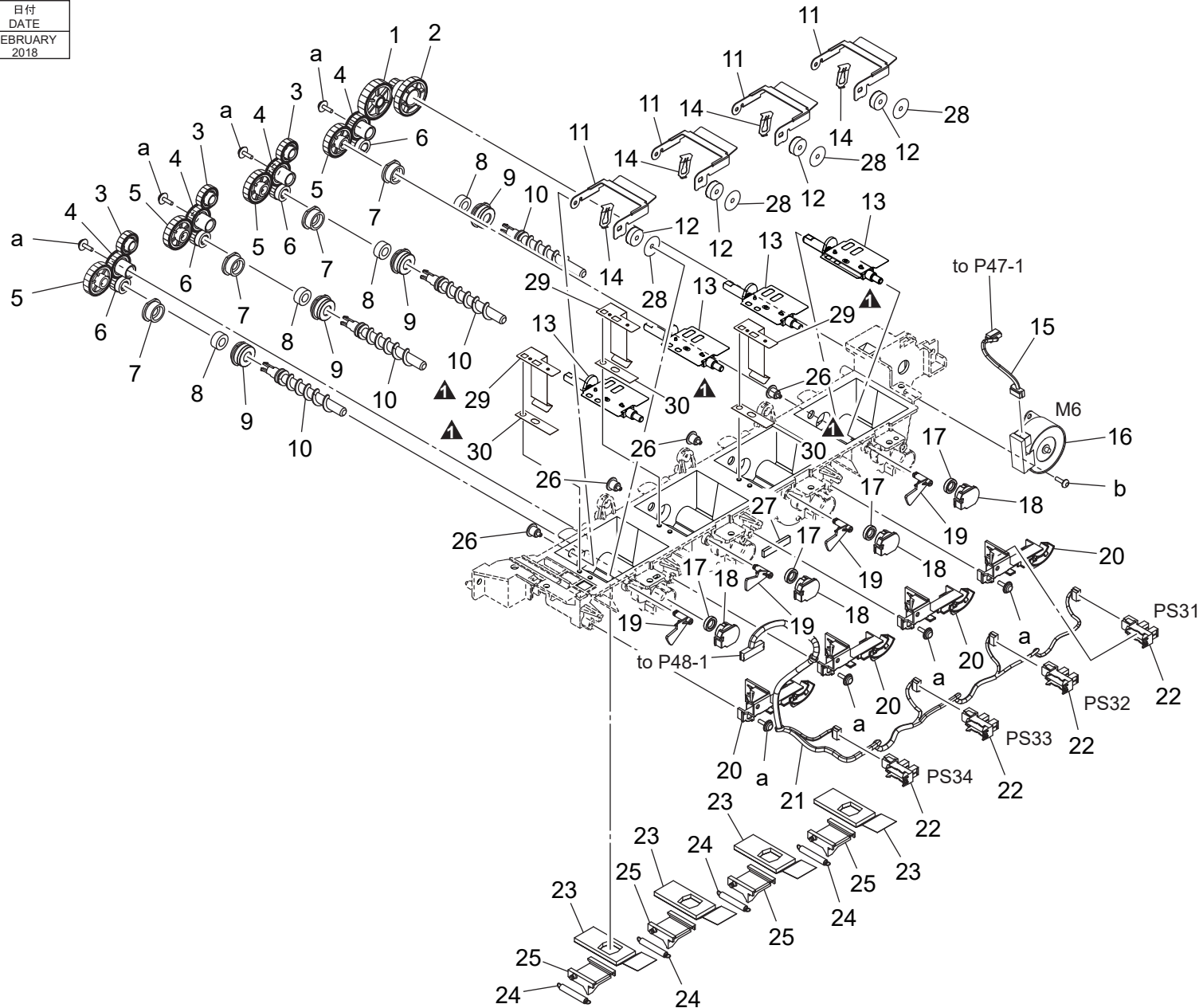


TONER SUPPLY SECTION

Key	Part No.	Description	Destinations	Class	QTY	Standard parts
1	A5C1120700	Reinforce Plate	A,A1	D	1	a-V116030803 b-V153030803
1	A5C1120800	Reinforce Plate	B,G2,H	D	1	
2	A161403701	Seal		D	4	
3	A7PU402000	Cover	A,A1	D	1	
3	A7PU405100	Cover	B,G2	D	1	
3	A7PU405300	Cover	H	D	1	
4	4038101401	SUCTION PLATE		D	2	
5	A161403901	Spacer		D	4	
6	A0ED940600	Label Toner 1		D	4	
7	A161402502	Seal		D	4	
8	A161402403	Shutter		D	4	
9	A161403800	Seal		D	4	
10	A161403500	Seal		D	2	
11	A161403600	Seal		D	3	
12	A161403300	Seal		D	1	
13	A161403403	Seal		D	1	
14	A161402115	Cover		D	1	
15	A5C1404500	Seal		C	2	
16	A161404001	Seal /1		D	4	
17	A161404100	Seal /2		D	4	
18	A7PUR71322	Sub Hopper Assy	A,A1	S	1	
18	A7PUR71422	Sub Hopper Assy	B,G2	S	1	
18	A7PUR72622	Sub Hopper Assy	H	S	1	
19	A0EDM60001	Relay Connector		D	4	
20	A2XK400001	Holder		D	4	
21	A2XK400100	Torsion Coil spring		D	4	
22	A2XK400200	Partition		D	1	
23	A2XKN10B00	Toner Detection harness /2		D	1	

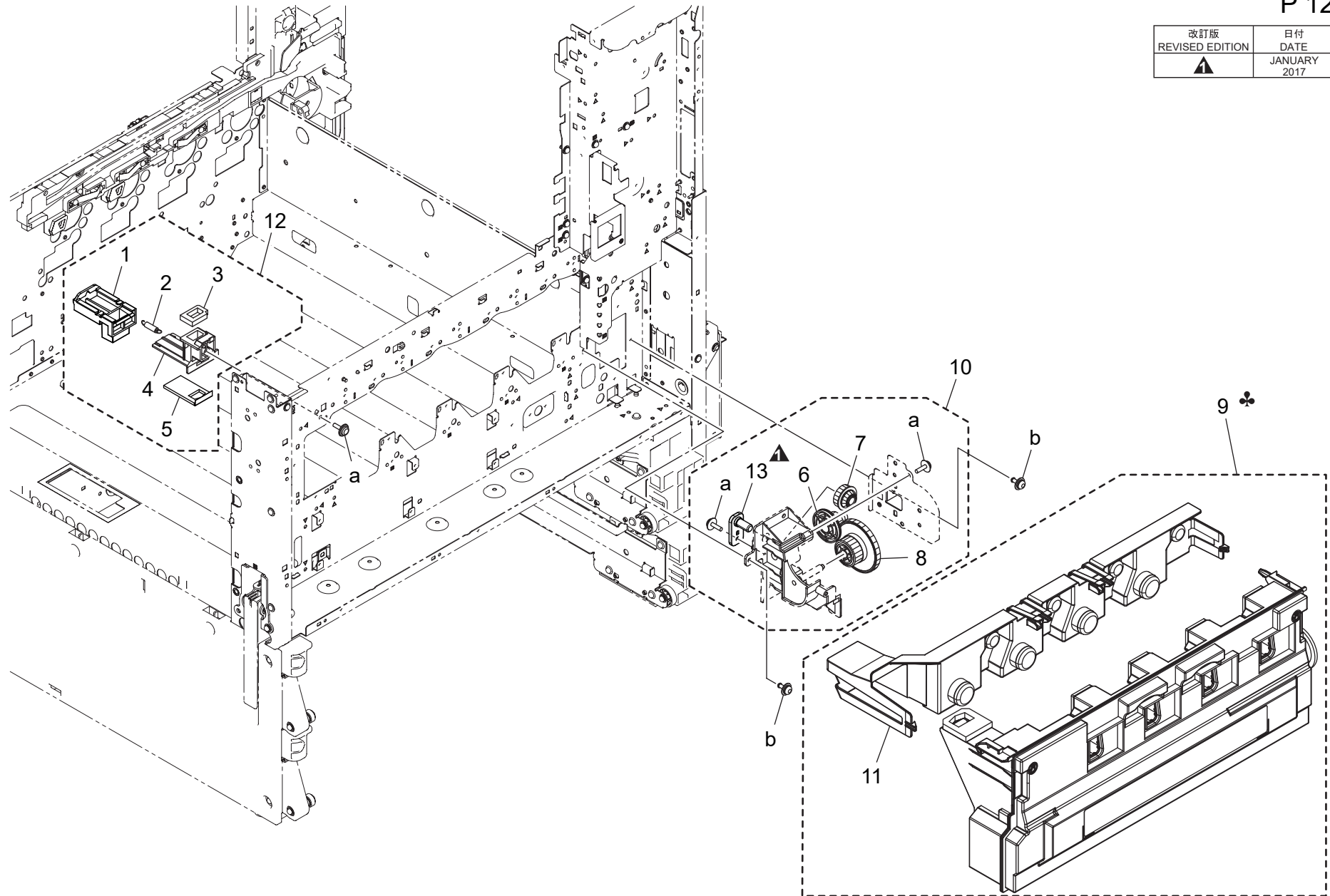
TONER SUPPLY SECTION

改訂版 REVISED EDITION	日付 DATE
	FEBRUARY 2018



WASTE TONER BOX SECTION

改訂版 REVISED EDITION	日付 DATE
▲	JANUARY 2017

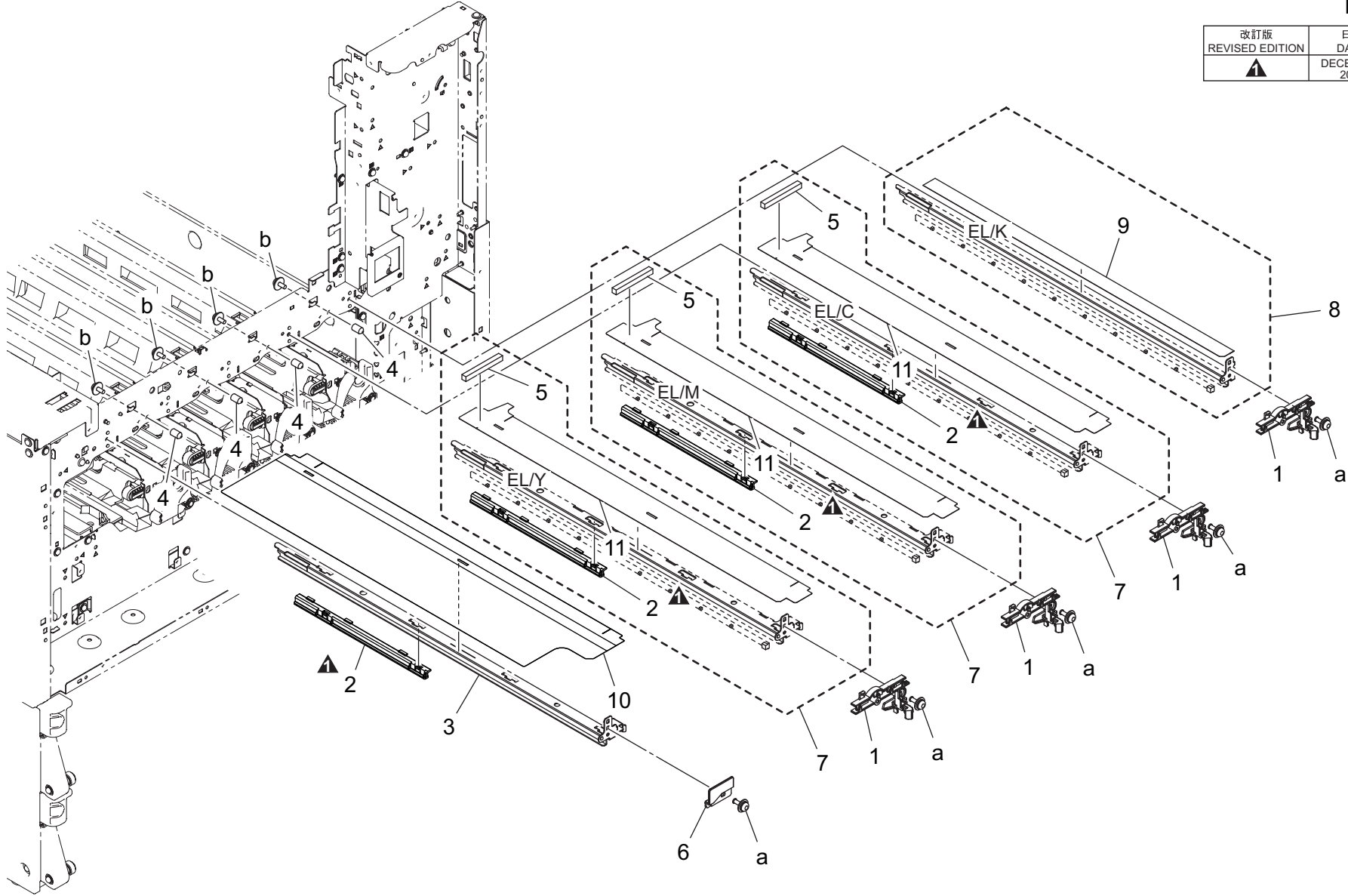


WASTE TONER BOX SECTION

Key	Part No.	Description	Destinations	Class	QTY	Standard parts
1	A64J363700	Shutter		D	1	a-V153030803 b-V125030818
2	A0ED363200	Pulling Coil spring		D	1	
3	A0ED363400	Seal		D	1	
4	A0ED363001	Pipe		D	1	
5	A0ED363312	Seal		D	1	
6	A161245100	Gear 16/40T		D	1	
7	A0ED245000	Gear 20/20T		D	1	
8	A161245400	Gear 16/51T		D	1	
9	A4NN0Y1	WASTE TONER BOX	A,A1	A	1	
9	A4NN0Y1	WASTE TONER BOX	B,G2	A	1	
9	A4NNWY3	WASTE TONER BOX	H	A	1	
10	A7PUF21000	Waste Toner Drive		C	1	
11	A161362000	Cover		C	1	
12	A64JR71400	Waste Toner Pipe		C	1	
13	A797245300	Shaft		D	1	

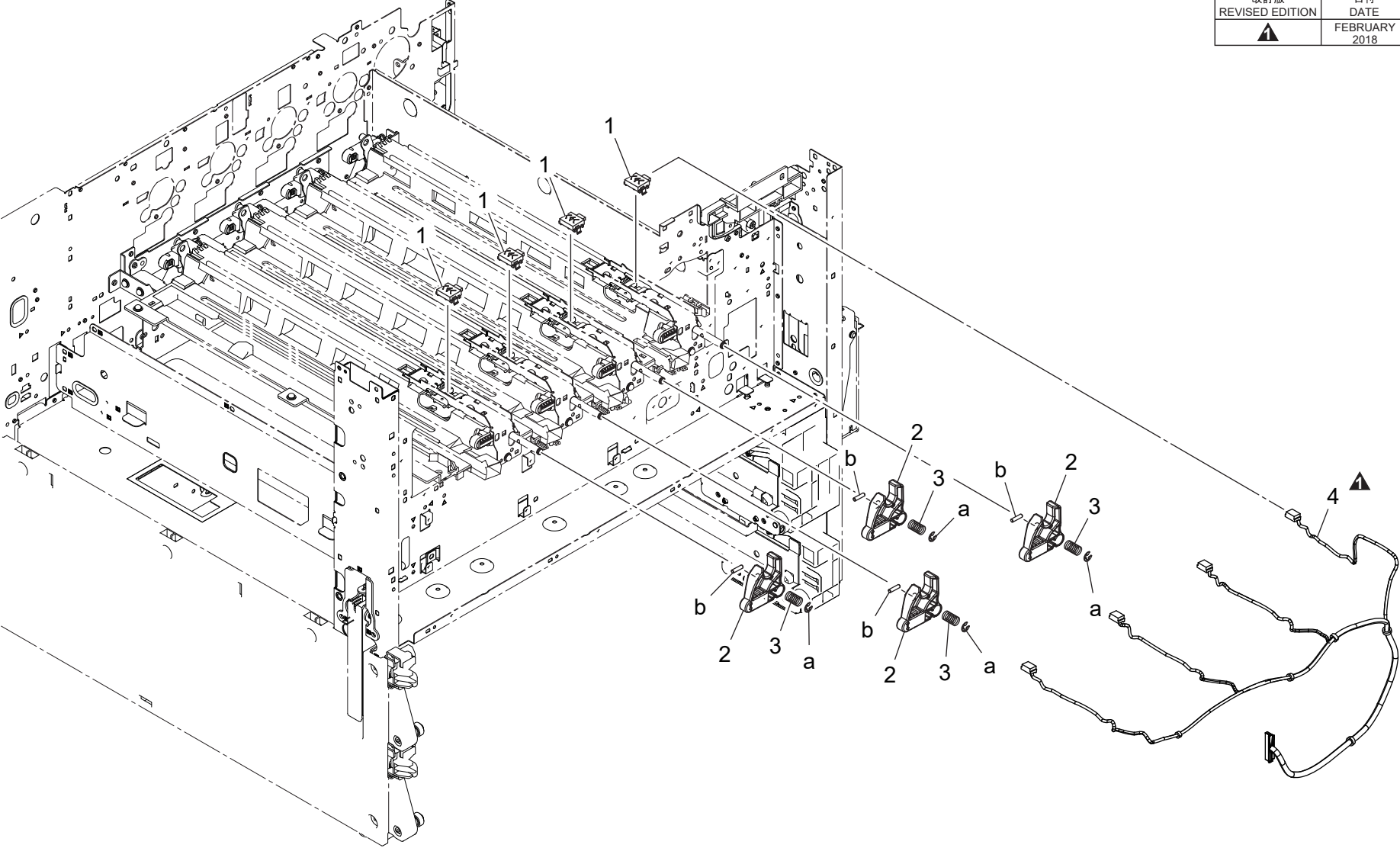
ERASE LAMP SECTION

改訂版 REVISED EDITION	日付 DATE
▲	DECEMBER 2016



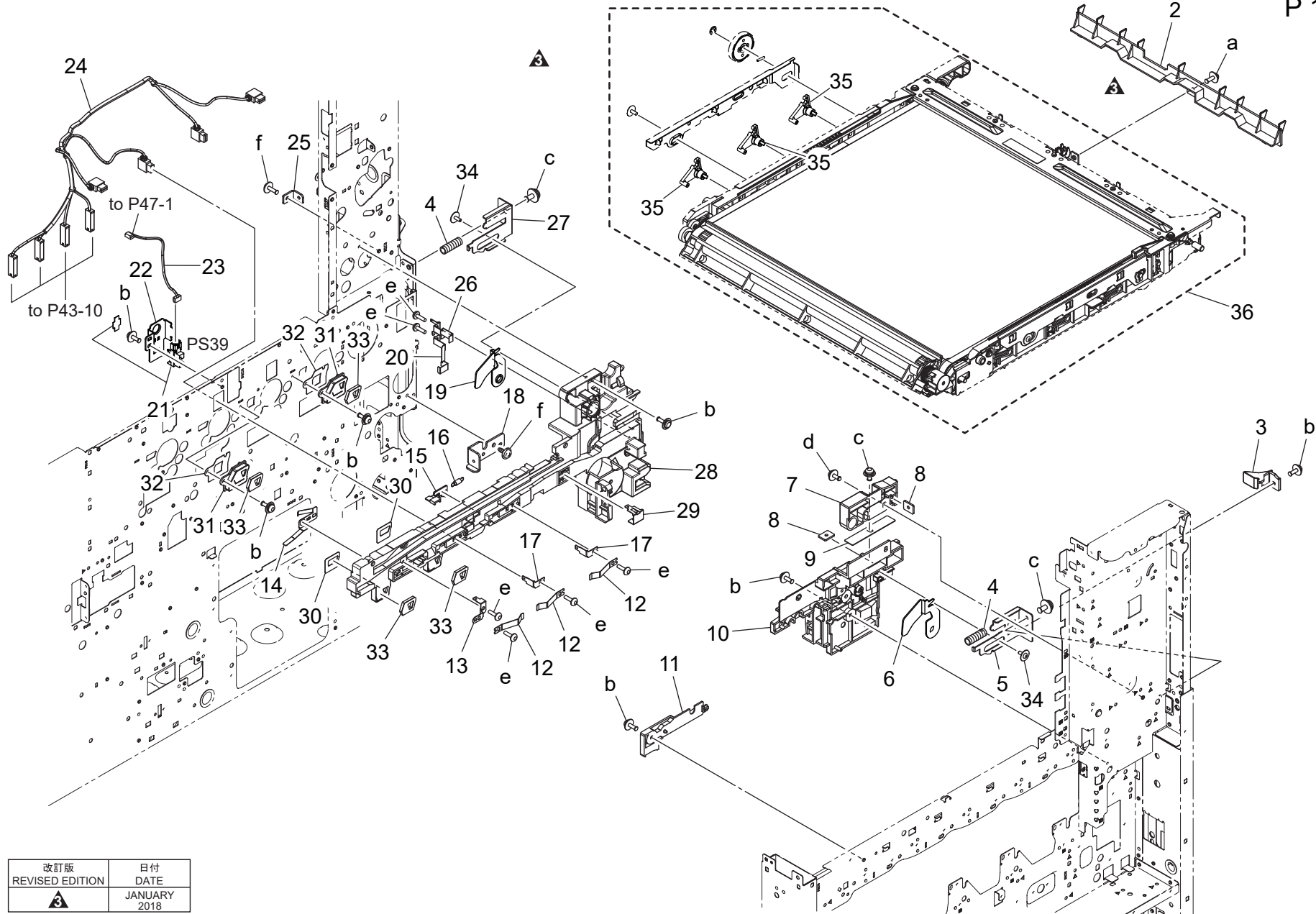
DV LOCK LEVER SECTION

改訂版 REVISED EDITION	日付 DATE
▲	FEBRUARY 2018



TRANSFER UNIT

P 15

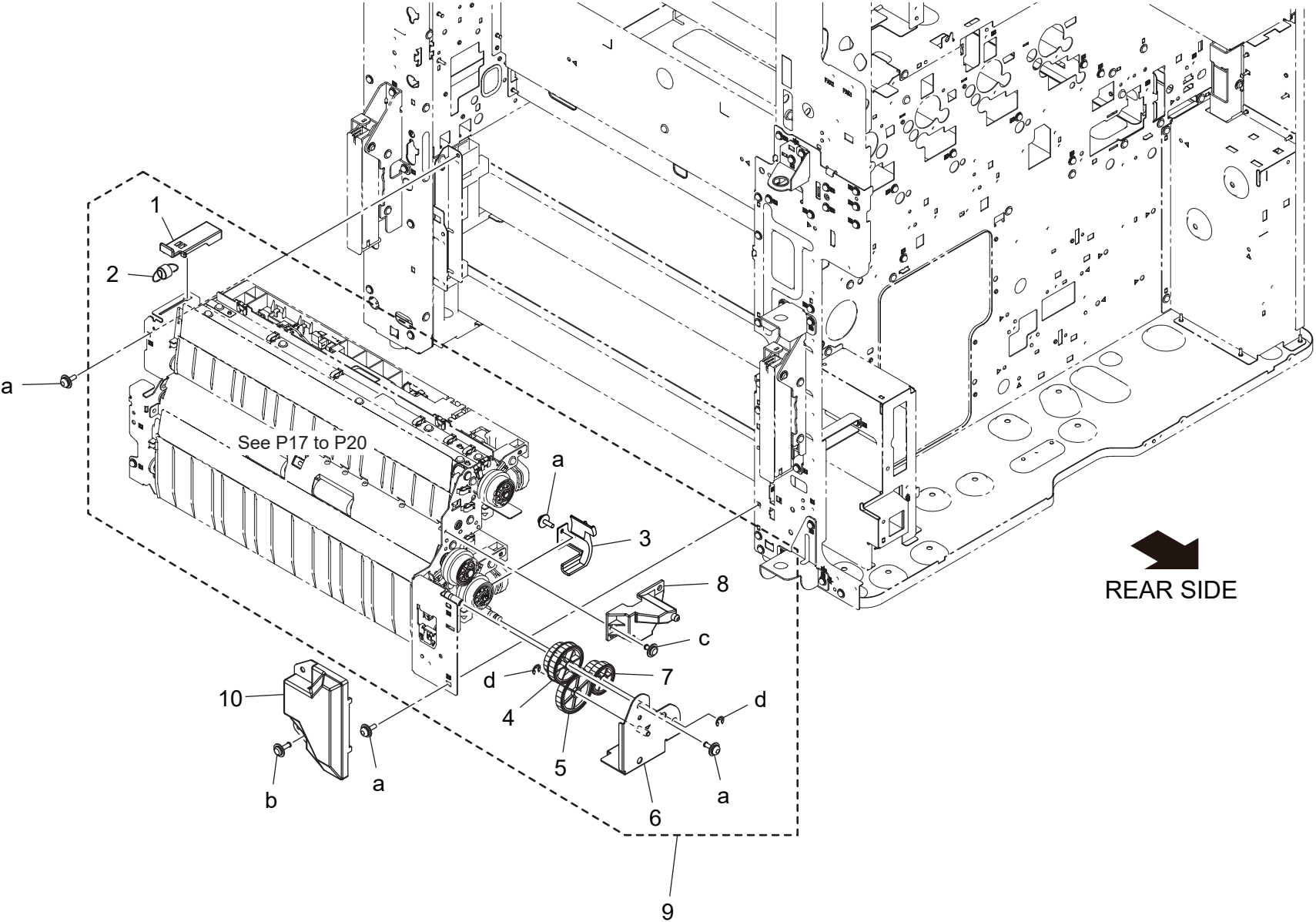


改訂版 REVISED EDITION	日付 DATE
	JANUARY 2018

TRANSFER UNIT

Key	Part No.	Description	Destinations	Class	QTY	Standard parts
2	A161508400	Guide		C	1	a-V116030804 b-V116030803 c-V116040803 d-V125030818 e-V145030803 f-V137030803
3	A161110601	Lock Part		D	1	
4	A0ED111000	Compressing Coil spring		D	2	
5	A161112500	Lever /Front		D	1	
6	A5C1112800	Arm /Front		D	1	
7	A161110400	Fusing Rail /Front		D	1	
8	A161112200	Mounting Plate		D	2	
9	A161112600	Adjusting Plate		D	1	
10	A161110202	Rail		D	1	
11	A161110300	Rail		D	1	
12	A0ED111500	Contact /Color		D	3	
13	A161112000	Contact		D	1	
14	A0ED112000	Contact		D	1	
15	A161110500	Detecting Plate		D	1	
16	A0ED110900	Pulling Coil spring		C	1	
17	A0ED111700	Contact		D	2	
18	A7PU109000	Reinforce Plate		D	1	
19	A5C1112900	Arm /Rear		D	1	
20	A161112300	Contact		D	1	
21	A5C1R90000	Photo Interrupter		B	1	
22	A5C1112101	Mounting Plate		D	1	
23	A161N10J00	Connecting Detection harness		D	1	
24	A161N11200	Transfer Wiring /1		D	1	
25	A161112700	Mounting Plate		D	1	
26	A161112400	Contact		D	1	
27	A161112101	Lever /Rear		D	1	
28	A161110105	Rail		D	1	
29	A0ED111400	Contact /K		D	1	
30	A161144900	Seal		C	2	
31	A161141700	Duct		D	2	
32	A161146200	Seal		D	2	
33	A161144801	Seal		C	4	
34	4163529301	SCREW		C	2	
35	A0ED501301	Lever /Rear		D	3	
36	A161R73311	Intermediate Image Transfer Unit		A	1	

PAPER FEED SECTION

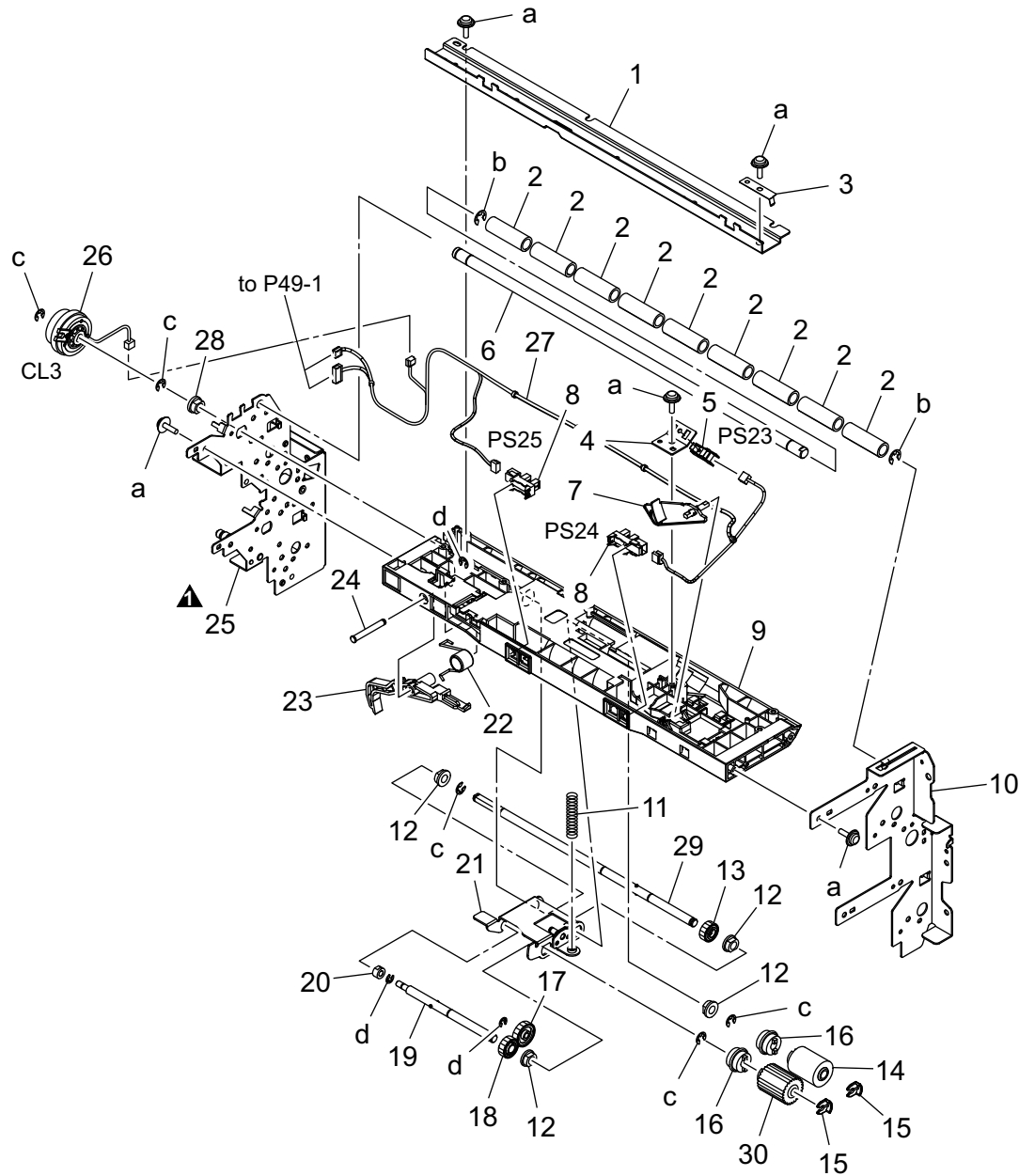


PAPER FEED SECTION

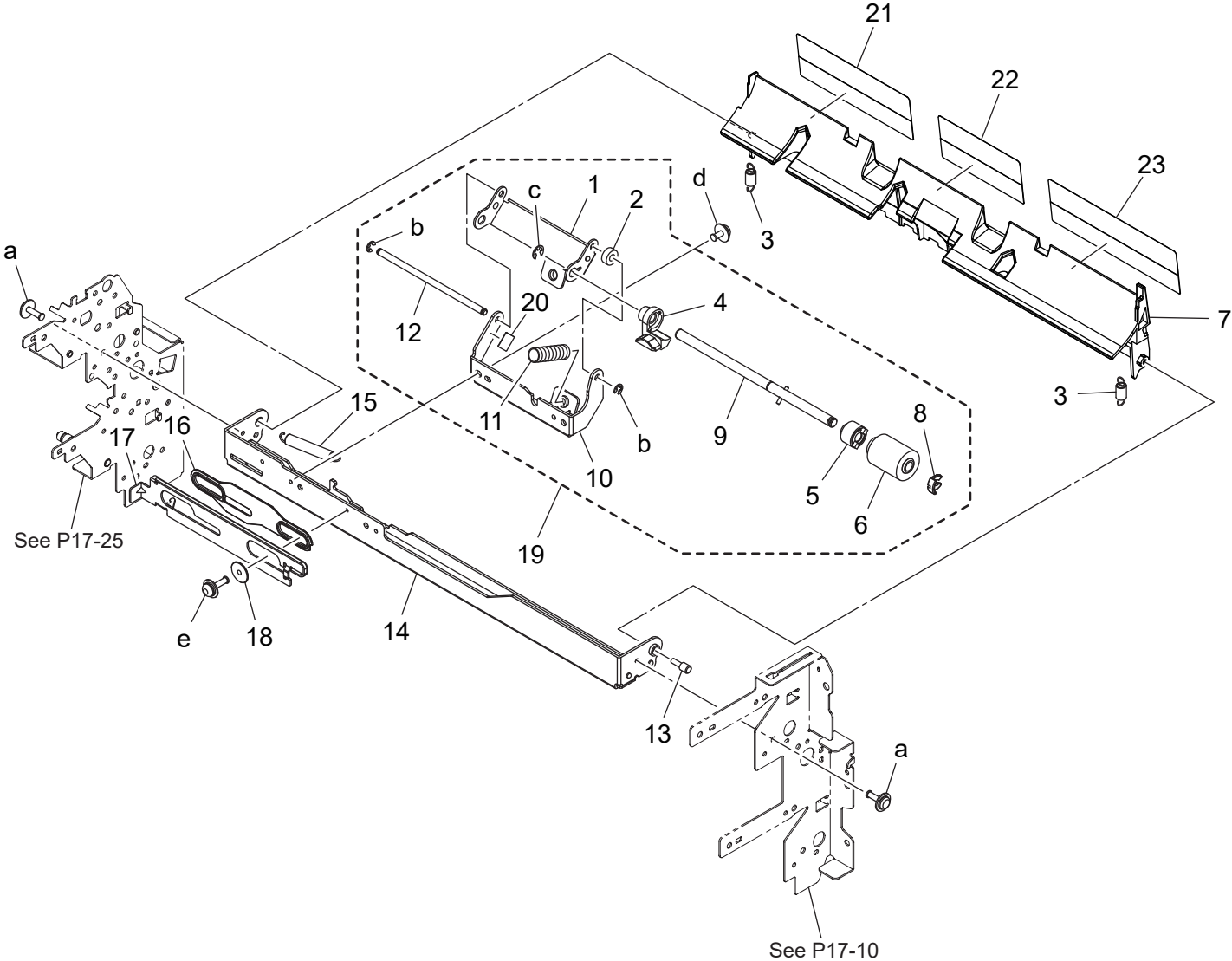
Key	Part No.	Description	Destinations	Class	QTY	Standard parts
1	A161561100	Holder		D	1	a-V116030803 b-V137030803 c-V144030603 d-V217040001
2	A161561200	Pulling Coil spring		D	1	
3	A7PU569100	Cover		D	1	
4	A161576300	Gear 27/33T		C	1	
5	A161576200	Gear 36T		C	1	
6	A161F56101	Caulking(Hold Plate Drive)		D	1	
7	A161576100	Gear 21/26T		C	1	
8	A161565102	Mounting Plate		D	1	
9	A9HJR70611	Paper Feed Assy		S	1	
10	A161579011	Cover		D	1	

1ST PAPER FEED SECTION

改訂版 REVISED EDITION	日付 DATE
	SEPTEMBER 2016



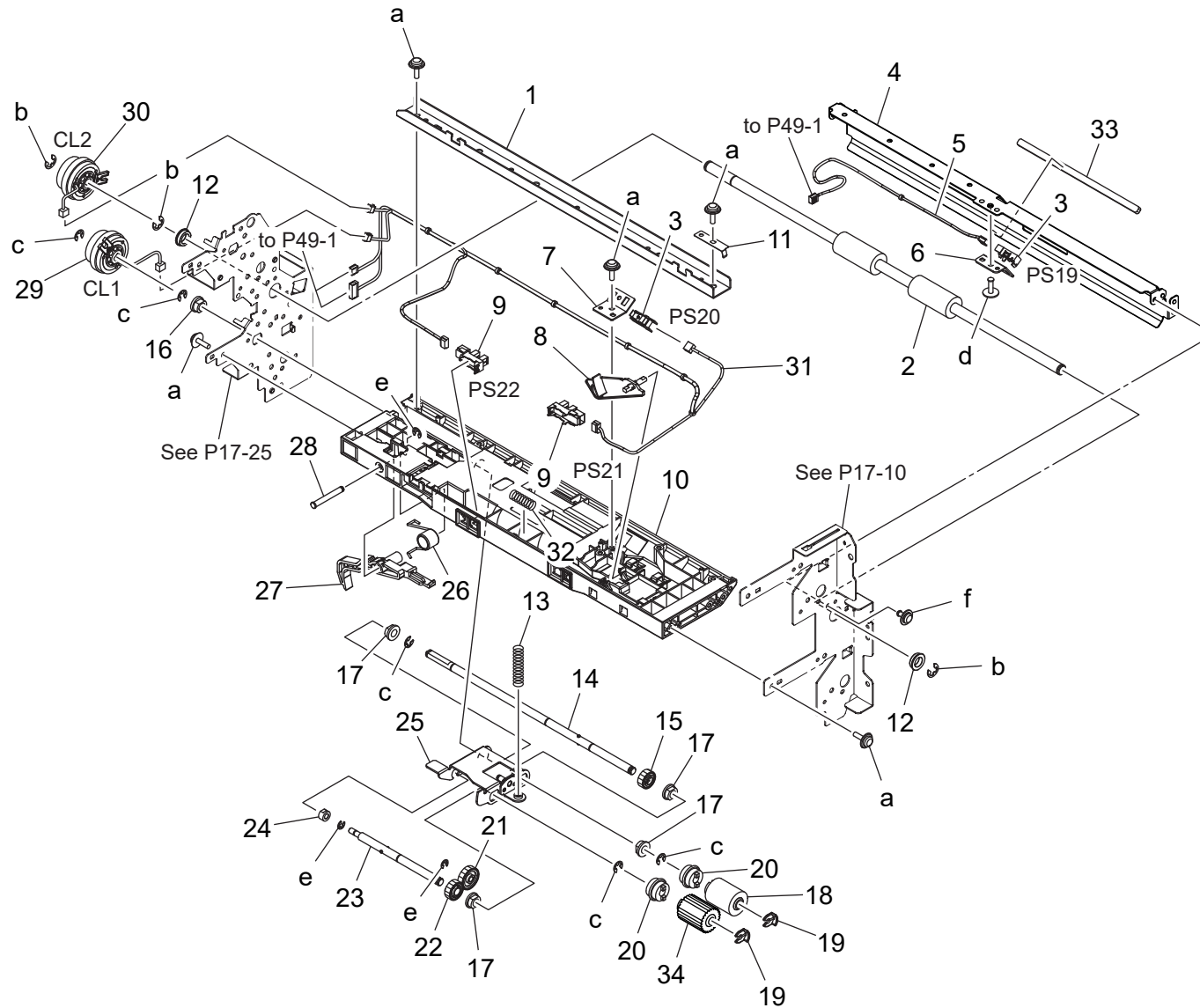
1ST PAPER FEED SECTION



1ST PAPER FEED SECTION

Key	Part No.	Description	Destinations	Class	QTY	Standard parts
1	A5C1563100	Holder		D	1	a-V137030803 b-V217030001 c-V217040001 d-V116030603 e-V116031003
2	4040561000	Spacer		D	1	
3	A161568600	Pulling Coil spring		C	2	
4	A5C1563500	Guide		D	1	
5	A0ED563900	Torque limiter		C	1	
6	A00J563600	Roller		A	1	
7	A7PU568400	Guide Plate		C	1	
8	56AA40490	SHAFT STOPPER 4		C	1	
9	A5C1563400	Shaft		D	1	
10	A161564001	Mounting Plate		D	1	
11	4030301703	PRESSURE SPRING		C	1	
12	A161563300	Shaft		D	1	
13	4532341001	SHOULDER SCREW		D	1	
14	A161563901	Mounting Plate		D	1	
15	A161564400	Pulling Coil spring		C	1	
16	A161564200	Spacer		D	1	
17	A5C1564101	Lever		D	1	
18	A161564300	Spacer		D	1	
19	A5C1R70800	Separation Roller Assy		C	1	
20	A5C1565600	Sheet		C	1	
21	A7PU567700	Guide		C	1	
22	A7PU567600	Guide		C	1	
23	A7PU567500	Guide		C	1	

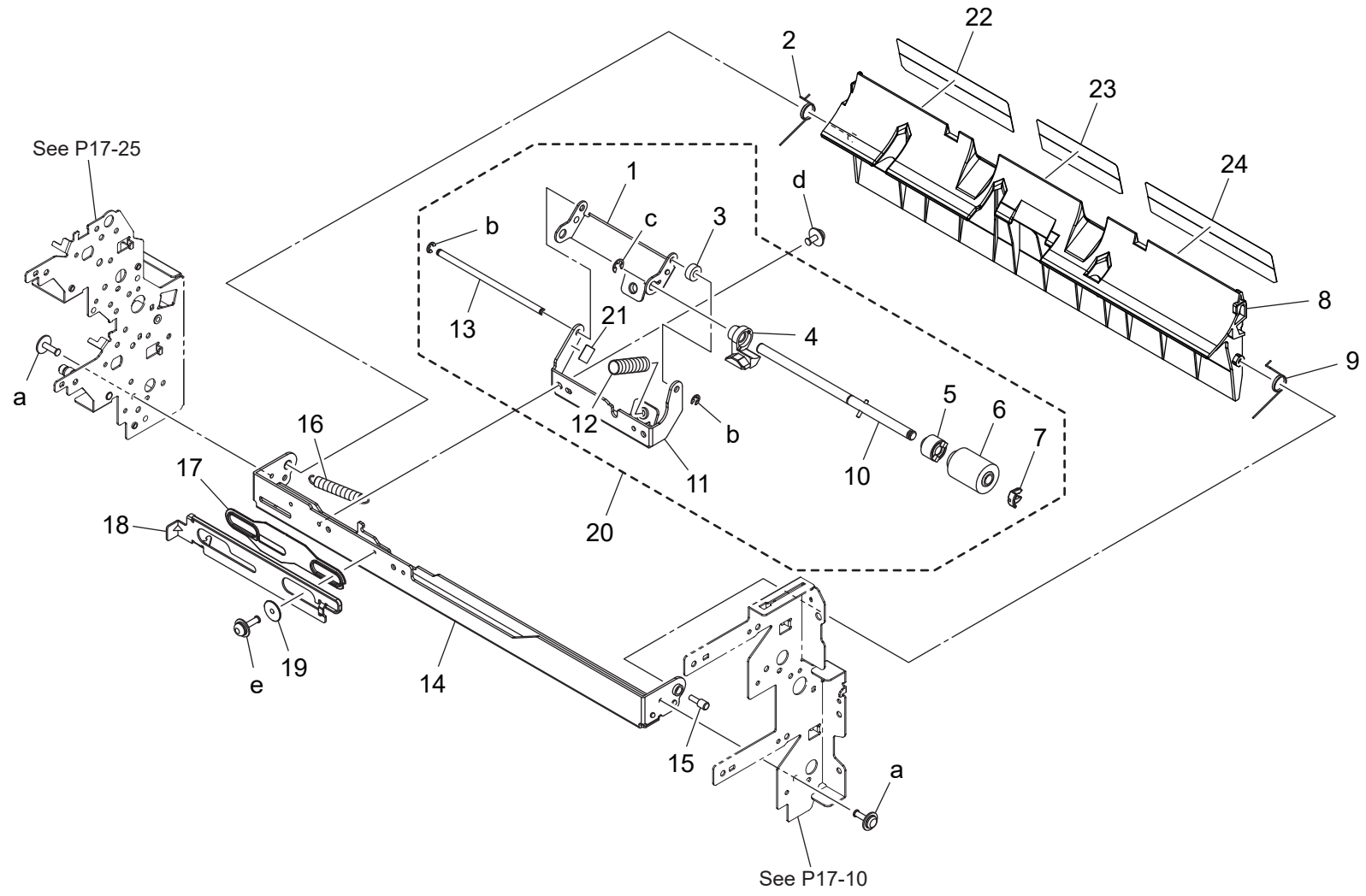
2ND PAPER FEED SECTION



2ND PAPER FEED SECTION

Key	Part No.	Description	Destinations	Class	QTY	Standard parts
1	A161561000	Reinforce Plate		D	1	a-V153030803 b-V217050001 c-V217040001 d-V137030803 e-V217030001 f-V144030603
2	A161578100	Drive Roller		C	1	
3	A0EDM50100	Photorelector		I	2	
4	A161578212	Guide Plate		D	1	
5	A161N12701	Conveyance Detection harness		D	1	
6	A161571100	Mounting Plate		D	1	
7	A161560900	Mounting Plate		D	1	
8	A161561600	Actuator		C	1	
9	A5C1M50100	Photointerrupter		B	2	
10	A161560302	Paper feed Frame		D	1	
11	A5C1560600	Ground Plate		D	1	
12	A00J617900	Ball Bearing		B	2	
13	A161562800	Compressing Coil spring		C	1	
14	A161560500	Shaft		D	1	
15	A161562400	Gear 26T		C	1	
16	A00J663200	Bushing		C	1	
17	4131300301	BUSHING		C	4	
18	A00J563600	Roller		A	1	
19	56AA40490	SHAFT STOPPER 4		C	2	
20	A02E561100	Clutch		C	2	
21	A161562300	Gear 34T		C	1	
22	A161562600	Gear 28T		C	1	
23	A161562000	Shaft		D	1	
24	A161562500	Bushing		C	1	
25	A161562101	Holder		D	1	
26	A161567400	Torsion Spring		C	1	
27	A161567300	Lever		C	1	
28	A02E560800	Shaft		D	1	
29	A02EM20200	Clutch		B	1	
30	A02EM20000	Clutch		B	1	
31	A161N10Q02	Paperfeed Wiring /2		D	1	
32	A161563000	Compressing Coil spring		C	1	
33	A161578700	Cushion		C	1	
34	A5C1562200	Roller		A	1	

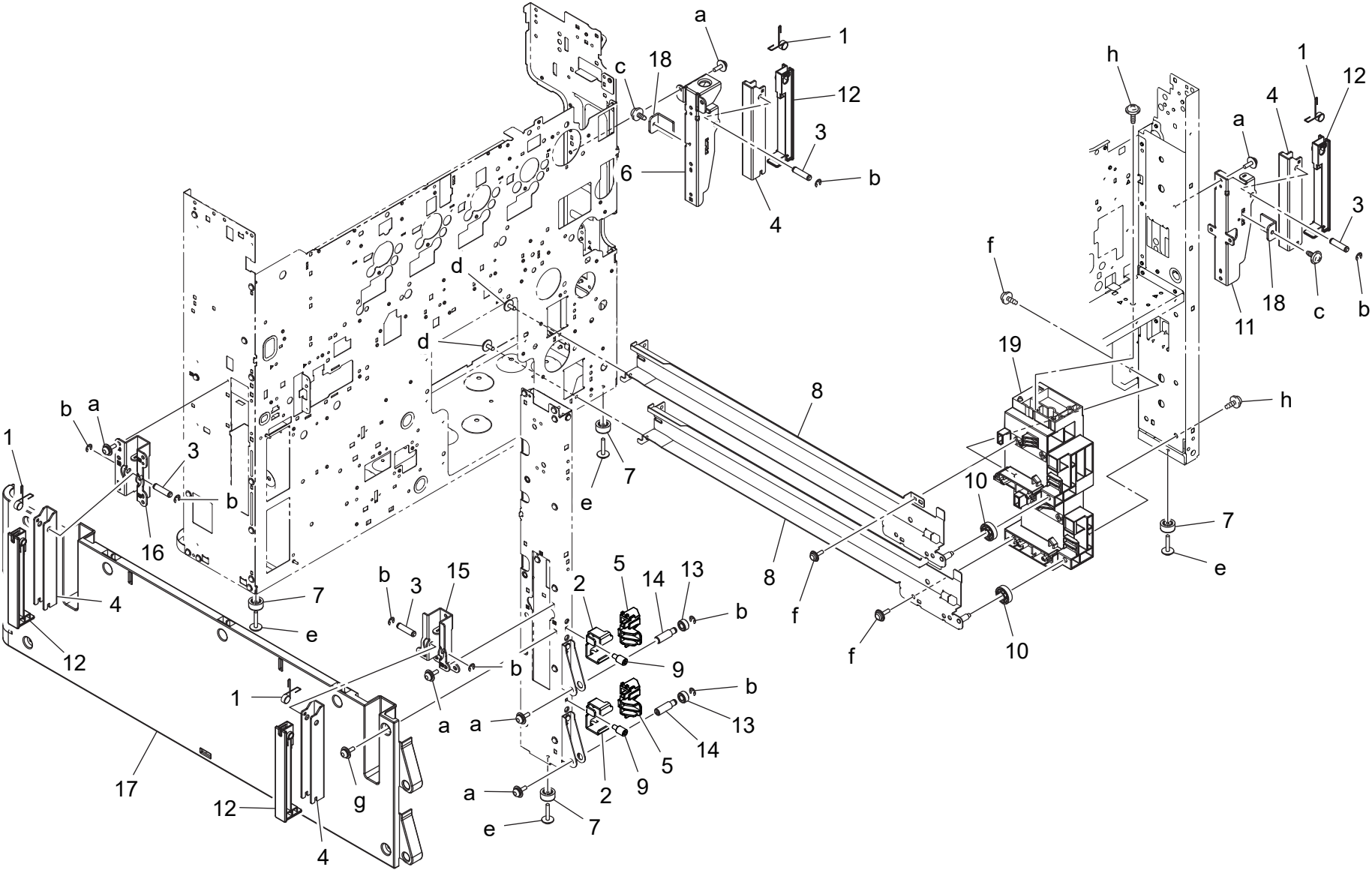
2ND PAPER FEED SECTION



2ND PAPER FEED SECTION

Key	Part No.	Description	Destinations	Class	QTY	Standard parts
1	A5C1563100	Holder		D	1	a-V137030803 b-V217030001 c-V217040001 d-V116030603 e-V116031003
2	A161568800	Torsion Coil spring		C	1	
3	4040561000	Spacer		D	1	
4	A5C1563500	Guide		D	1	
5	A0ED563900	Torque limiter		C	1	
6	A00J563600	Roller		A	1	
7	56AA40490	SHAFT STOPPER 4		C	1	
8	A7PU578400	Guide Plate		C	1	
9	A161568700	Torsion Coil spring		C	1	
10	A5C1563400	Shaft		D	1	
11	A161564001	Mounting Plate		D	1	
12	4030301703	PRESSURE SPRING		C	1	
13	A161563300	Shaft		D	1	
14	A161563901	Mounting Plate		D	1	
15	4532341001	SHOULDER SCREW		D	1	
16	A161564400	Pulling Coil spring		C	1	
17	A161564200	Spacer		D	1	
18	A5C1564101	Lever		D	1	
19	A161564300	Spacer		D	1	
20	A5C1R70800	Separation Roller Assy		C	1	
21	A5C1565600	Sheet		C	1	
22	A7PU577700	Guide		C	1	
23	A7PU577600	Guide		C	1	
24	A7PU577500	Guide		C	1	

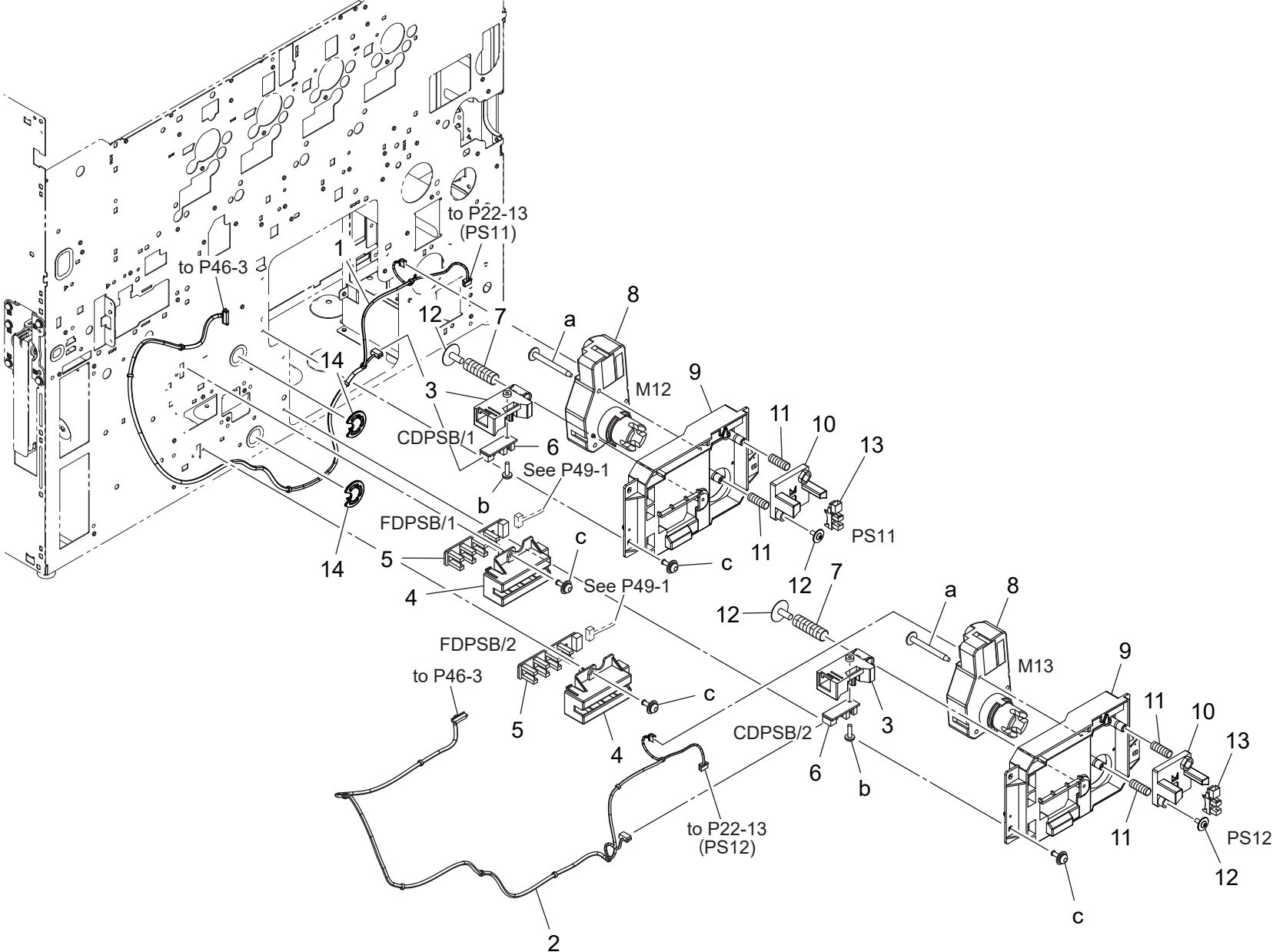
CASSETTE RAIL SECTION



CASSETTE RAIL SECTION

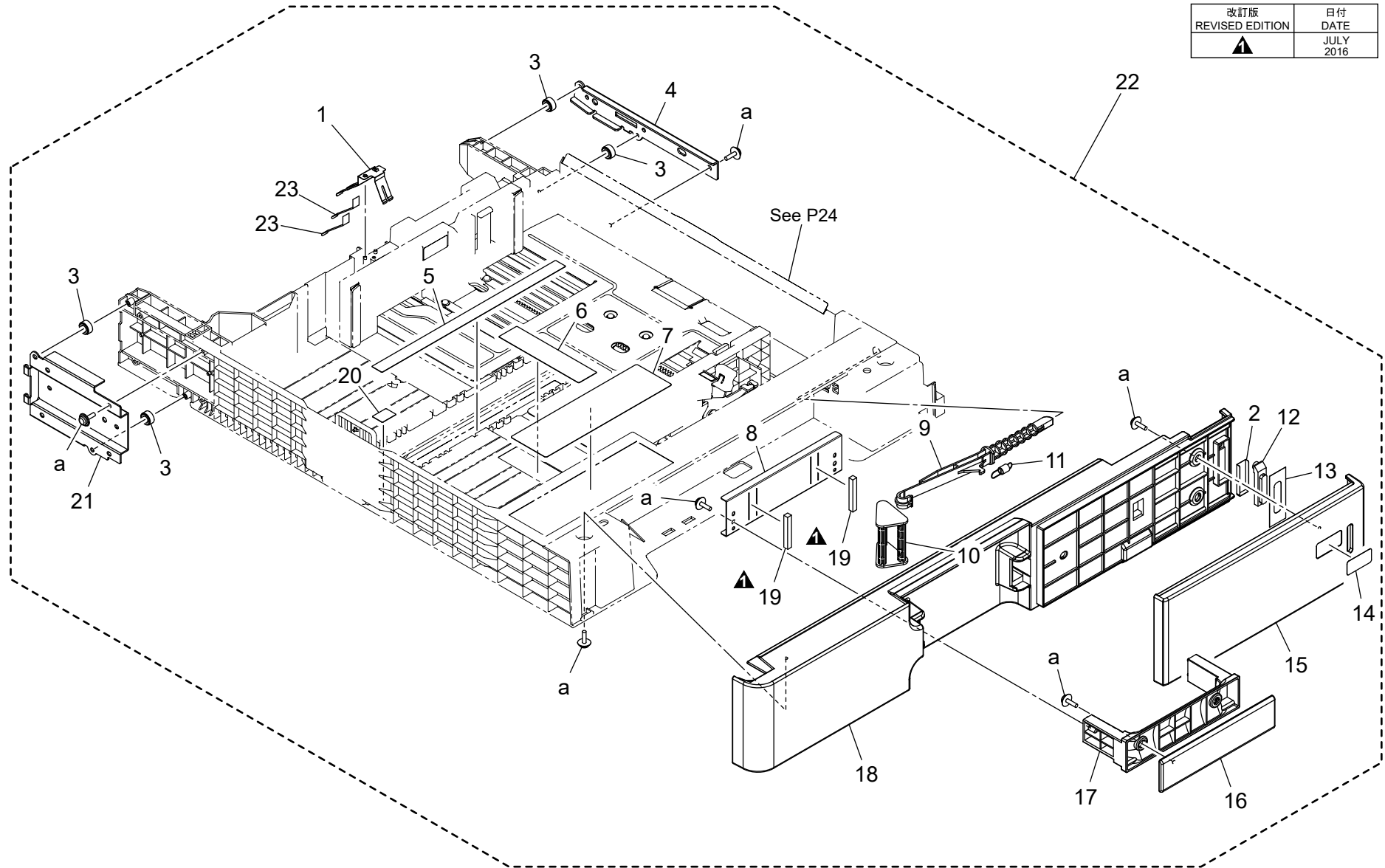
Key	Part No.	Description	Destinations	Class	QTY	Standard parts
1	A161104300	Torsion Coil spring		D	4	a-V116030803 b-V217040001 c-V137030803 d-V144030603 e-V137031203 f-V153030803 g-V116030804 h-V153031004
2	A7PU102201	Mounting Plate		D	2	
3	A161104200	Shaft		D	4	
4	A161101900	Lever		D	4	
5	A7PU102301	Stopper		D	2	
6	A5C1104800	Mounting Plate		D	1	
7	0996305501	RUBBER FOOT		C	4	
8	A5C1101101	Rail /ASSY		D	2	
9	A1UD192400	Shoulder screw /2		C	2	
10	A161103901	Roll		D	2	
11	A5C1104400	Mounting Plate		D	1	
12	A161103700	Cover		D	4	
13	A161623400	Roll		D	2	
14	A161105200	Shaft		D	2	
15	A161101600	Mounting Plate		D	1	
16	A161101701	Mounting Plate		D	1	
17	A7PU104000	Holder		D	1	
18	A5C1104700	Mounting Plate		D	2	
19	A5C1106000	Holder		D	1	

PAPER SIZE DETECTION SECTION



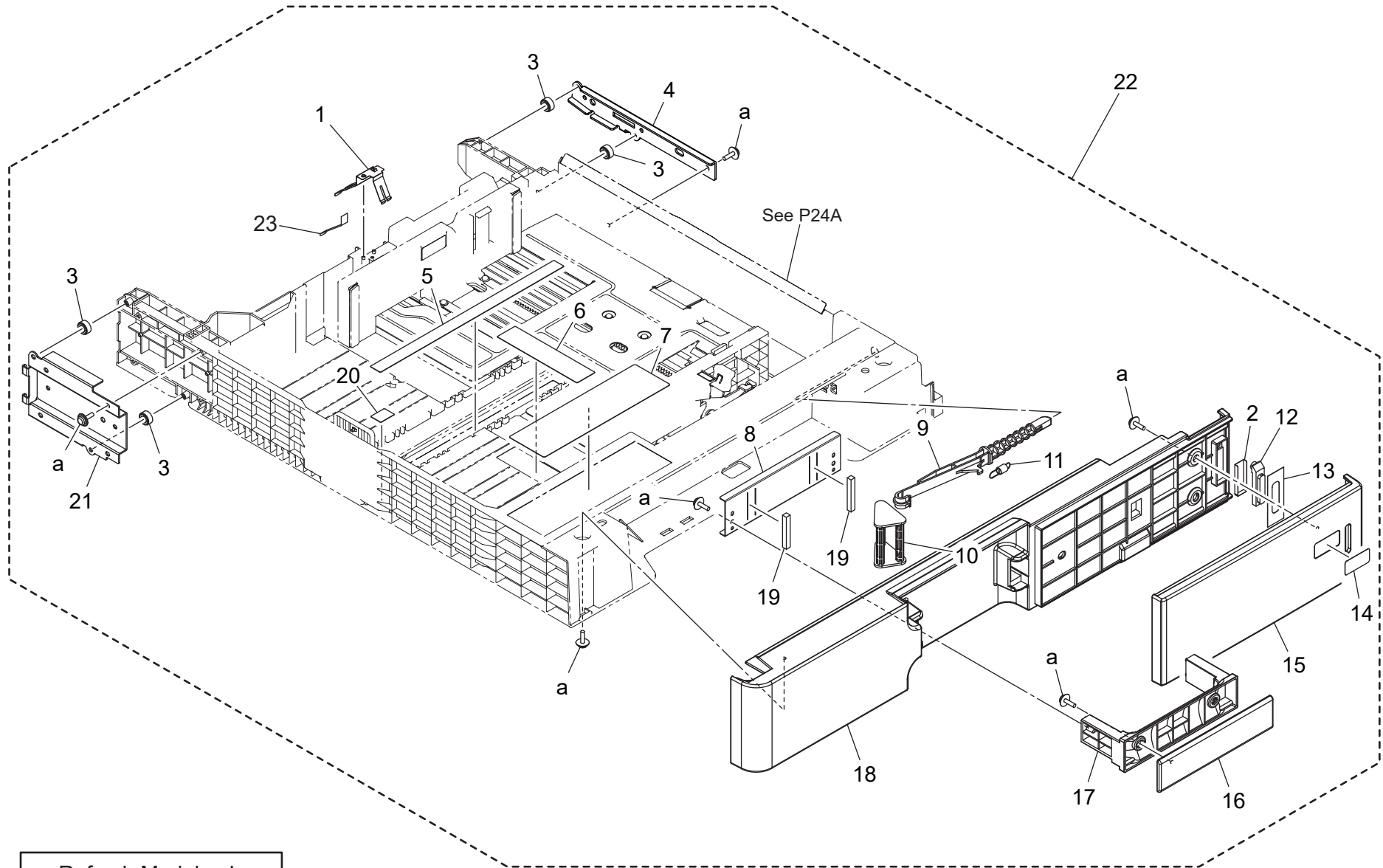
1ST CASSETTE SECTION

改訂版 REVISED EDITION	日付 DATE
▲	JULY 2016



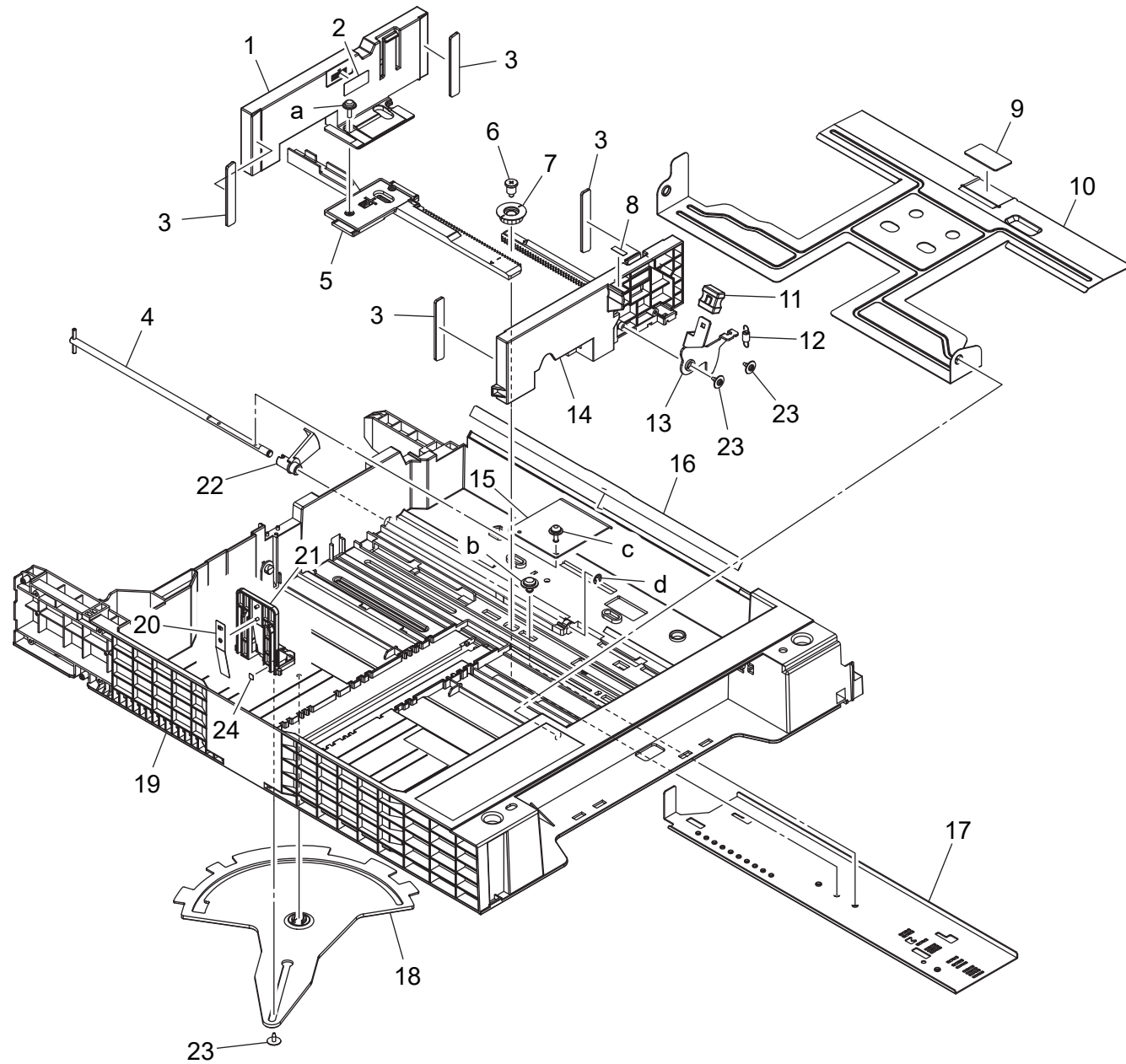
1ST CASSETTE SECTION

P 23A



Refresh Model only

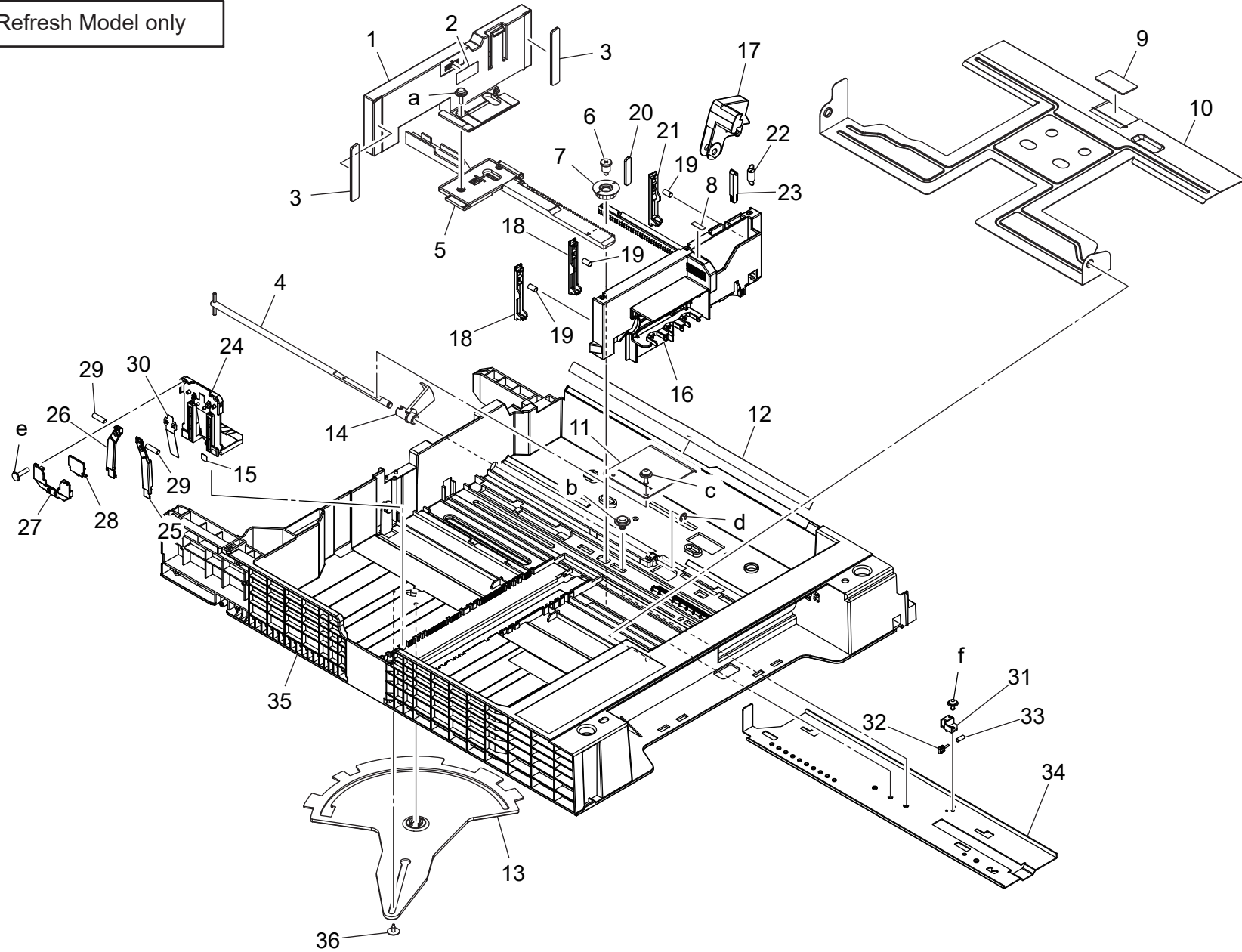
1ST CASSETTE SECTION



1ST CASSETTE SECTION

P 24A

Refresh Model only

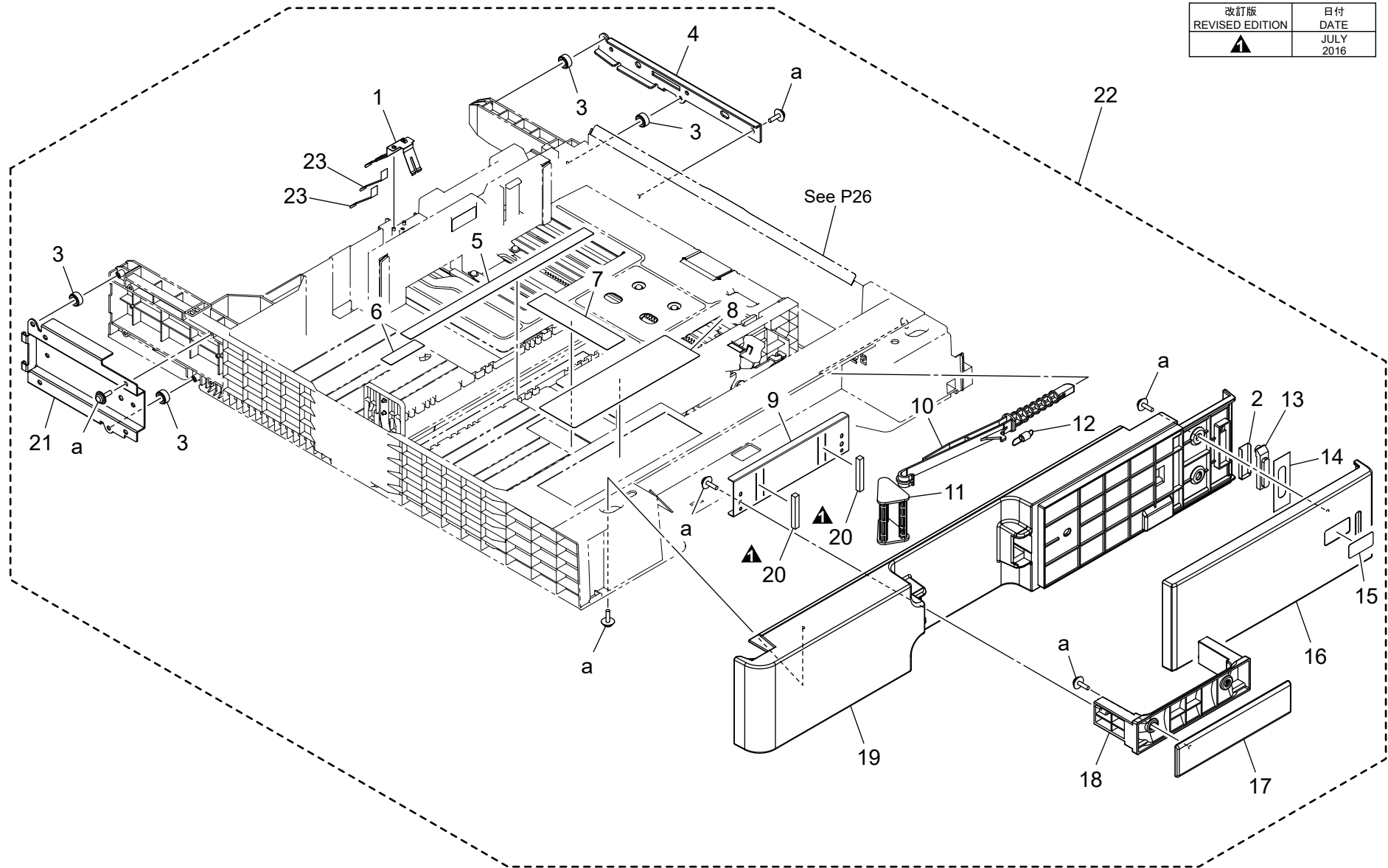


1ST CASSETTE SECTION

Key	Part No.	Description	Destinations	Class	QTY	Standard parts
1	A161620904	Regulating Plate /Rear	(Refresh Model)	C	1	a-V153030803 b-V144040603 c-V116030803 d-V217040001 e-V127030604 f-V166170504
2	A161943700	Label Max Level	(Refresh Model)	C	1	
3	A161624100	Cushion	(Refresh Model)	C	2	
4	A161621600	Lifting Shaft	(Refresh Model)	D	1	
5	A161621100	Rack	(Refresh Model)	C	1	
6	A161620600	Shoulder screw	(Refresh Model)	D	1	
7	A161620701	Gear	(Refresh Model)	D	1	
8	A161943000	Label	(Refresh Model)	C	1	
9	4030322601	FRICITION SHEET	(Refresh Model)	C	1	
10	A161620400	Lifting Plate	(Refresh Model)	D	1	
11	4030320601	LEVER	(Refresh Model)	D	1	
12	A0ED620200	Guide	(Refresh Model)	C	1	
13	A161621411	Lever	(Refresh Model)	C	1	
14	A0ED620701	Actuator	(Refresh Model)	C	1	
15	A02E940300	Label	(Refresh Model)	C	1	
16	A795620800	Regulating Plate	(Refresh Model)	C	1	
17	A795621301	Operation Lever	(Refresh Model)	C	1	
18	A795622600	Auxiliary Guide /2	(Refresh Model)	C	2	
19	A795622700	Compressing Spring	(Refresh Model)	C	3	
20	A79J566000	Cushion	(Refresh Model)	C	1	
21	A79J622500	Auxiliary Guide /1	(Refresh Model)	C	1	
22	A7AH621000	Pulling Coil spring	(Refresh Model)	C	1	
23	A7AH621200	Lock Lever	(Refresh Model)	D	1	
24	A795565000	Regulating Plate	(Refresh Model)	D	1	
25	A795565100	Lock Lever	(Refresh Model)	C	1	
26	A795565200	Lock Lever	(Refresh Model)	C	1	
27	A795565300	Cover	(Refresh Model)	C	1	
28	A795565400	Operation Lever	(Refresh Model)	C	1	
29	A795565500	Compressing Spring	(Refresh Model)	C	2	
30	A795565600	Plate spring	(Refresh Model)	C	1	
31	A795565700	Holder	(Refresh Model)	C	1	
32	A795565800	Lever	(Refresh Model)	C	1	
33	A795565900	Compressing Spring	(Refresh Model)	C	1	
34	A795621900	Mounting Plate	(Refresh Model)	D	1	
35	A79J620100	Paper feed Cassette	(Refresh Model)	D	1	
36	4163529301	SCREW	(Refresh Model)	C	1	

2ND CASSETTE SECTION

改訂版 REVISED EDITION	日付 DATE
▲	JULY 2016

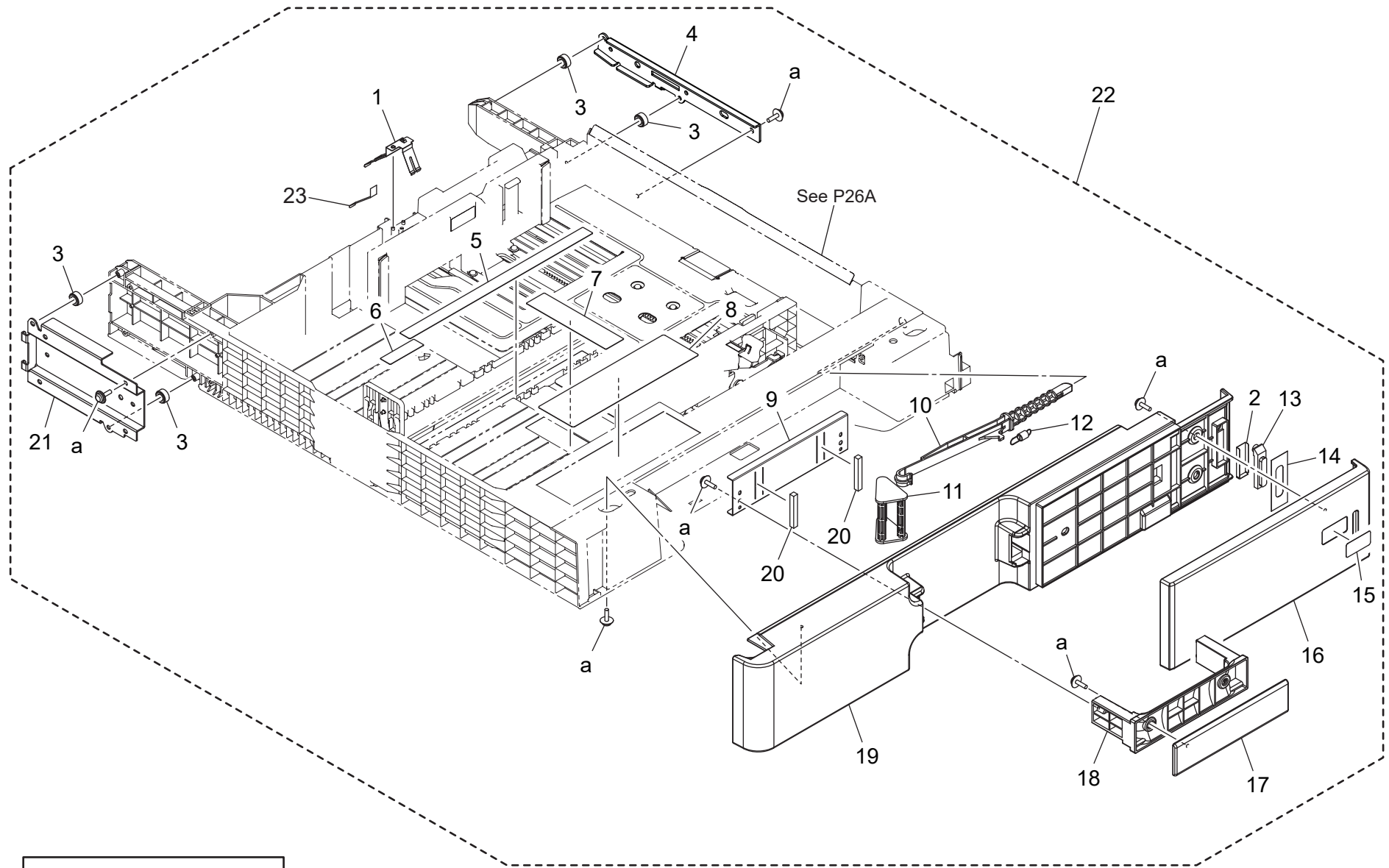


2ND CASSETTE SECTION

Key	Part No.	Description	Destinations	Class	QTY	Standard parts
1	A161622100	Ground Plate	アース板 (カセット)	D	1	a-V153030803
2	A161626200	Sheet	シート (反射板)	D	1	
3	A161623400	Roll	ころ	D	4	
4	A161633101	Reinforce Plate /Right	補強板/右	D	1	
5	A79J941200	Label FD	ラベル F D スケール/1	C	1	
6	A79J943500	Label FD	ラベル F D スケール	C	1	
7	A79J943600	Label CD	ラベル C D スケール	C	1	
8	A795942401	Label	ラベル (用紙補給)	C	1	
9	A7AH624300Old	Holder	ホルダ	D	1	
9	A5C1624300	Holder	ホルダ (取手)	D	1	
10	A161636502	Lever	レバー (ロック)	C	1	
11	A161626602	Lever	レバー (解除)	C	1	
12	A161626800	Pulling Coil spring	引張りコイルばね (ロックレバー)	C	1	
13	A161626000	Lens	レンズ (ライトガイド・給紙)	D	1	
14	A161626100	Light blocking Sheet	遮光シート	D	1	
15	A161943200	Label 2	ラベル 給紙段数表示 2	C	1	
16	A5C1635001	Cover	カバー (カセット右)	C	1	
17	A161625900	Cover	カバー (カセット取手)	C	1	
18	A161626900	Handle	取手 (カセット)	C	1	
19	A161635117	Cover	カバー (カセット 2 n d)	C	1	
20	A5C1628100Old	Cushion	クッション	D	2	
20	A5C1628500	Cushion	クッション	D	2	
21	A161633202	Reinforce Plate /Left	補強板/左	D	1	
22	A7PUR72322	Cassette Assy /2nd	2 段目カセット A s s y	S	1	
23	A55V624700	Protection Sheet	保護シート	C	2	

2ND CASSETTE SECTION

P 25A

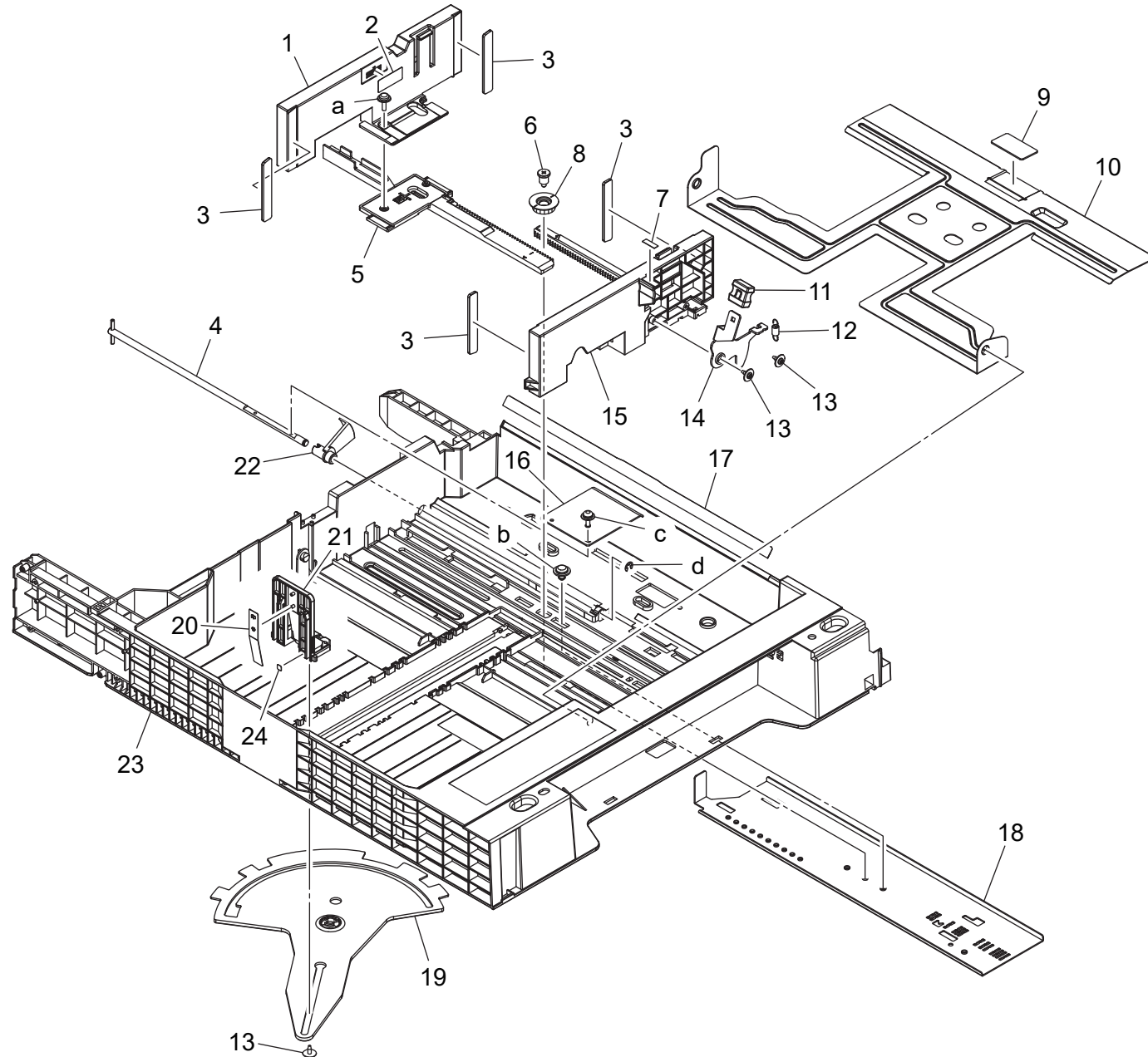


Refresh Model only

2ND CASSETTE SECTION

Key	Part No.	Description	Destinations	Class	QTY	Standard parts	
1	A161622100	Ground Plate	アース板 (カセット)	(Refresh Model)	D	1	a-V153030803
2	A161626200	Sheet	シート (反射板)	(Refresh Model)	D	1	
3	A161623400	Roll	ころ	(Refresh Model)	D	4	
4	A79J633100	Reinforce Plate /Right	補強板/右	(Refresh Model)	D	1	
5	A79J941200	Label FD	ラベル F D スケール/1	(Refresh Model)	C	1	
6	A79J943500	Label FD	ラベル F D スケール	(Refresh Model)	C	1	
7	A79J943600	Label CD	ラベル C D スケール	(Refresh Model)	C	1	
8	A795942401	Label	ラベル (用紙補給)	(Refresh Model)	C	1	
9	A5C1624300	Holder	ホルダ (取手)	(Refresh Model)	D	1	
10	A161636502	Lever	レバー (ロック)	(Refresh Model)	C	1	
11	A161626602	Lever	レバー (解除)	(Refresh Model)	C	1	
12	A161626800	Pulling Coil spring	引張りコイルばね (ロックレバー)	(Refresh Model)	C	1	
13	A161626000	Lens	レンズ (ライトガイド・給紙)	(Refresh Model)	D	1	
14	A161626100	Light blocking Sheet	遮光シート	(Refresh Model)	D	1	
15	A161943200	Label 2	ラベル 給紙段数表示 2	(Refresh Model)	C	1	
16	A5C1635001	Cover	カバー (カセット右)	(Refresh Model)	C	1	
17	A161625900	Cover	カバー (カセット取手)	(Refresh Model)	C	1	
18	A161626900	Handle	取手 (カセット)	(Refresh Model)	C	1	
19	A161635117	Cover	カバー (カセット 2 n d)	(Refresh Model)	C	1	
20	A5C1628500	Cushion	クッション	(Refresh Model)	D	2	
21	A161633202	Reinforce Plate /Left	補強板/左	(Refresh Model)	D	1	
22	A79JR72211	2nd Cassette Assy	2 段目カセット A S S Y	(Refresh Model)	S	1	
23	A55V624700	Protection Sheet	保護シート	(Refresh Model)	C	1	

2ND CASSETTE SECTION



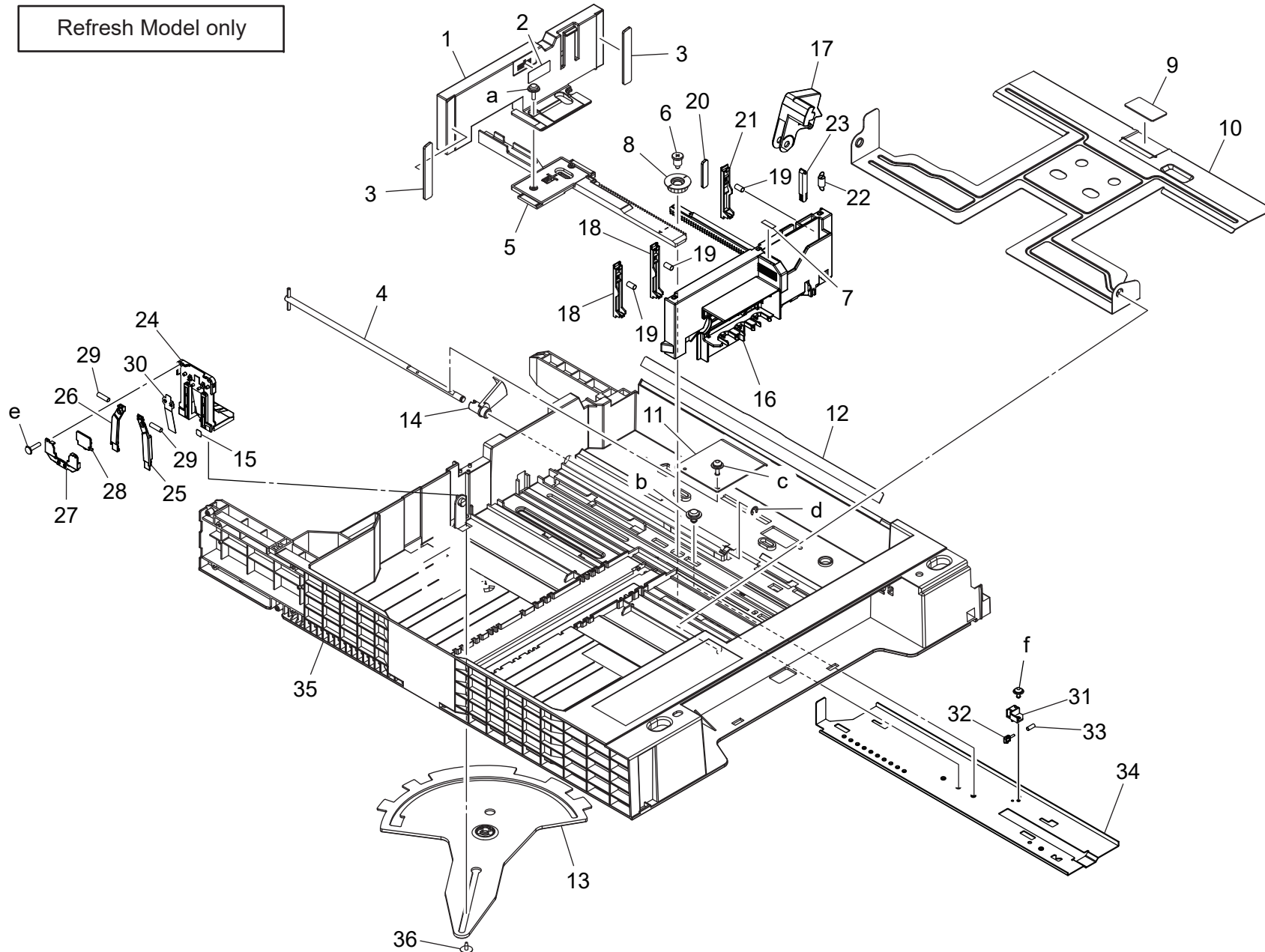
2ND CASSETTE SECTION

Key	Part No.	Description	Destinations	Class	QTY	Standard parts
1	A161620904	Regulating Plate /Rear		C	1	a-V153030803 b-V144040603 c-V116030803 d-V217040001
2	A161943700	Label Max Level		C	1	
3	A161624100	Cushion		C	4	
4	A161621600	Lifting Shaft		D	1	
5	A161621100	Rack		C	1	
6	A161620600	Shoulder screw		D	1	
7	A161943000	Label		C	1	
8	A161620701	Gear		D	1	
9	4030322601	FRICTION SHEET		C	1	
10	A161620400	Lifting Plate		D	1	
11	4037320401	KNOB		C	1	
12	A0ED621400	Pulling Coil spring		D	1	
13	4163529301	SCREW		C	3	
14	A161621300	Lever		D	1	
15	A161620803	Regulating Plate /Front		C	1	
16	4030320601	LEVER		D	1	
17	A0ED620200	Guide		C	1	
18	A161621900	Mounting Plate		D	1	
19	A161631411	Lever		C	1	
20	A161621800	Plate spring		C	1	
21	A161621701	Regulating Plate		C	1	
22	A0ED620701	Actuator		C	1	
23	A161630102	Paper feed Cassette		D	1	
24	A02E940300	Label		C	1	

2ND CASSETTE SECTION

Refresh Model only

P 26A

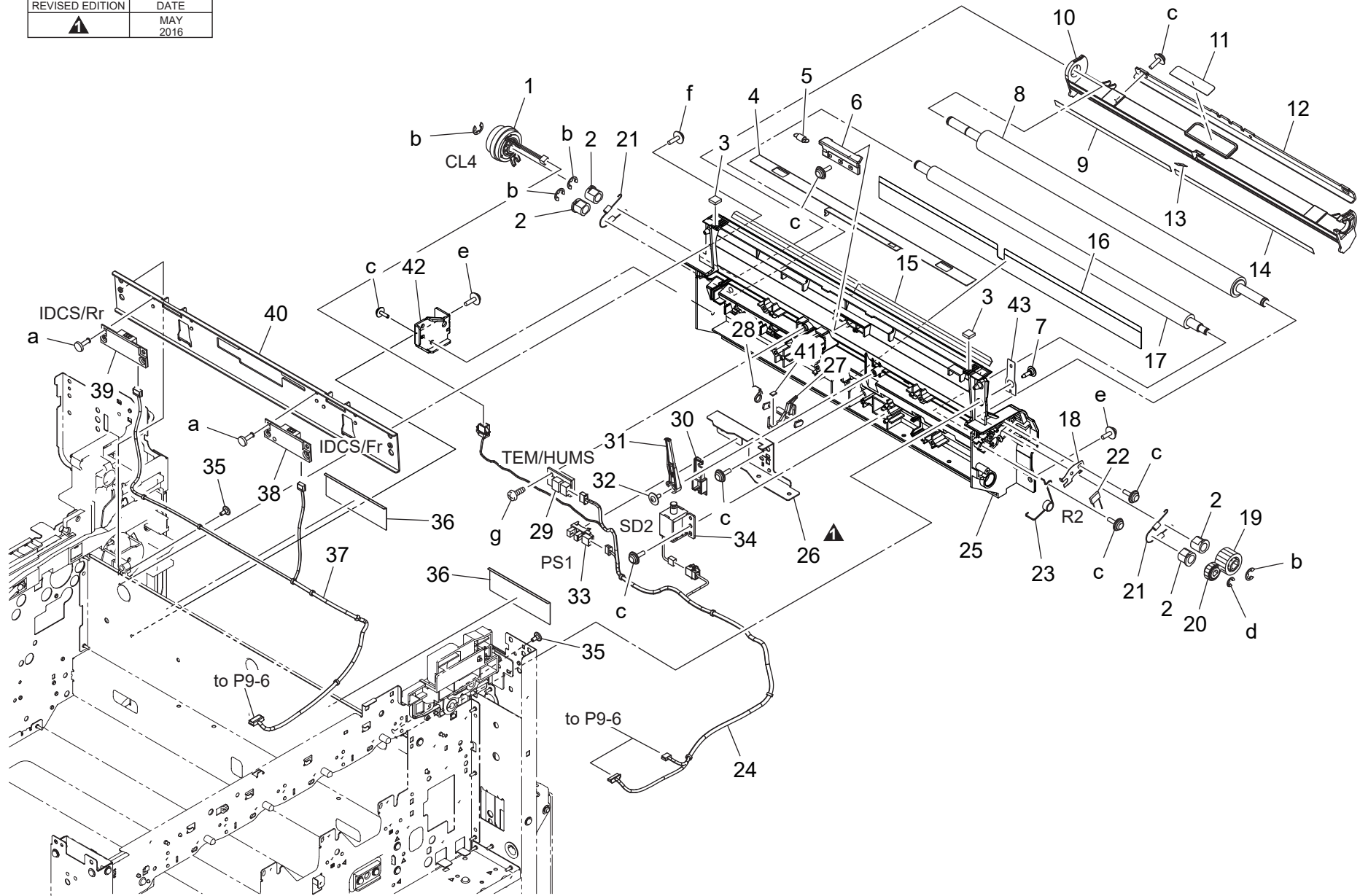


2ND CASSETTE SECTION

Key	Part No.	Description	Destinations	Class	QTY	Standard parts
1	A161620904	Regulating Plate /Rear	(Refresh Model)	C	1	a-V153030803 b-V144040603 c-V116030803 d-V217040001 e-V127030604 f-V166170504
2	A161943700	Label Max Level	(Refresh Model)	C	1	
3	A161624100	Cushion	(Refresh Model)	C	2	
4	A161621600	Lifting Shaft	(Refresh Model)	D	1	
5	A161621100	Rack	(Refresh Model)	C	1	
6	A161620600	Shoulder screw	(Refresh Model)	D	1	
7	A161943000	Label	(Refresh Model)	C	1	
8	A161620701	Gear	(Refresh Model)	D	1	
9	4030322601	FRICITION SHEET	(Refresh Model)	C	1	
10	A161620400	Lifting Plate	(Refresh Model)	D	1	
11	4030320601	LEVER	(Refresh Model)	D	1	
12	A0ED620200	Guide	(Refresh Model)	C	1	
13	A161631411	Lever	(Refresh Model)	C	1	
14	A0ED620701	Actuator	(Refresh Model)	C	1	
15	A02E940300	Label	(Refresh Model)	C	1	
16	A795620800	Regulating Plate	(Refresh Model)	C	1	
17	A795621301	Operation Lever	(Refresh Model)	C	1	
18	A795622600	Auxiliary Guide /2	(Refresh Model)	C	2	
19	A795622700	Compressing Spring	(Refresh Model)	C	3	
20	A79J566000	Cushion	(Refresh Model)	C	1	
21	A79J622500	Auxiliary Guide /1	(Refresh Model)	C	1	
22	A7AH621000	Pulling Coil spring	(Refresh Model)	C	1	
23	A7AH621200	Lock Lever	(Refresh Model)	D	1	
24	A795565000	Regulating Plate	(Refresh Model)	D	1	
25	A795565100	Lock Lever	(Refresh Model)	C	1	
26	A795565200	Lock Lever	(Refresh Model)	C	1	
27	A795565300	Cover	(Refresh Model)	C	1	
28	A795565400	Operation Lever	(Refresh Model)	C	1	
29	A795565500	Compressing Spring	(Refresh Model)	C	2	
30	A795565600	Plate spring	(Refresh Model)	C	1	
31	A795565700	Holder	(Refresh Model)	C	1	
32	A795565800	Lever	(Refresh Model)	C	1	
33	A795565900	Compressing Spring	(Refresh Model)	C	1	
34	A795621900	Mounting Plate	(Refresh Model)	D	1	
35	A79J630100	Paper feed Cassette	(Refresh Model)	D	1	
36	4163529301	SCREW	(Refresh Model)	C	1	

CONVEYANCE SECTION

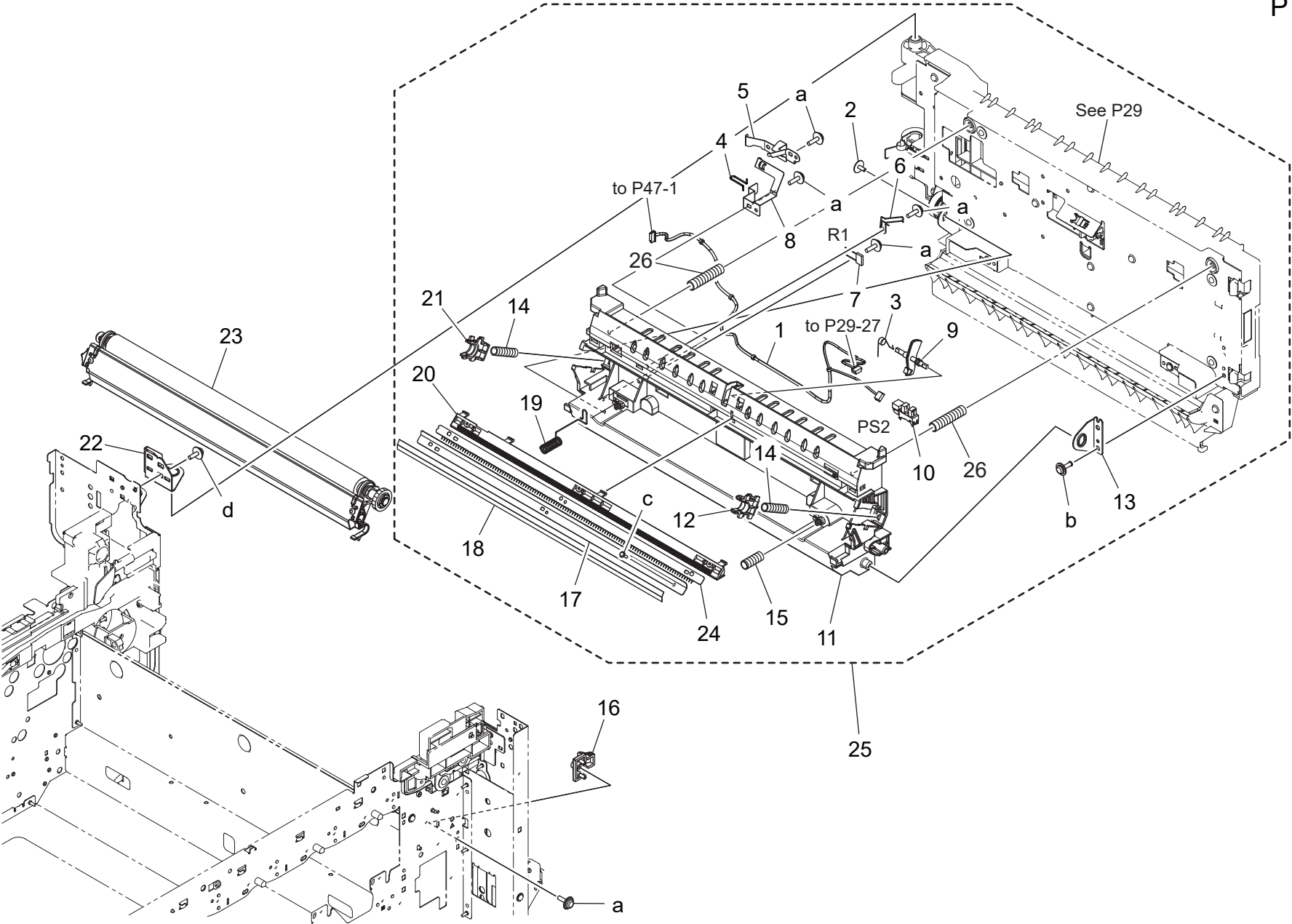
改訂版 REVISED EDITION	日付 DATE
	MAY 2016



CONVEYANCE SECTION

Key	Part No.	Description	Destinations	Class	QTY	Standard parts
1	A02EM20000	Clutch		B	1	a-V118030803 b-V217060001 c-V153030803 d-V217040001 e-V116030803 f-V153031003 g-V145030803
2	A161702200	Bushing		C	4	
3	A161701900	Seal /A		D	2	
4	A0ED705800	Cover		D	1	
5	A0ED702800	Pulling Spring		D	1	
6	A161706001	Holding Shutter		D	1	
7	A7PU701200	Shoulder screw		C	1	
8	A5C1700101	Roller		C	1	
9	4038353701	GUIDE		C	1	
10	A161700600	Guide Plate /Middle		D	1	
11	A161946300	Label M2		D	1	
12	A02E712902	Reinforce Plate		D	1	
13	4038353901	GUIDE		C	1	
14	A0ED700600	Guide Sheet		D	1	
15	A161701301	Guide Sheet /A		C	1	
16	A5C1701400	Guide Sheet /B		D	1	
17	A0ED700200	Roller		D	1	
18	A5C1700800	Ground Plate /D		D	1	
19	A0ED700300	Gear 20T		D	1	
20	A0ED700700	Gear 14T		D	1	
21	A161702000	Conveyance Spring /A		C	2	
22	V800500300	FIXED POWER RESISTORS		D	1	
23	A5C1703200	Torsion Coil spring		D	1	
24	A161N10D00	Conveyance Detection harness /L		D	1	
25	A7PU700111	Guide Plate /Inside		D	1	
26	A161700301	Mounting Plate /B		D	1	
27	A161701703	Actuator /T		C	1	
28	A161701100	Spring /A		C	1	
29	A7AHM50400	Humidity sensor		I	1	
30	A161700700	Arm /2		D	1	
31	A161700401	Arm /1		D	1	
32	4163529301	SCREW		C	1	
33	A5C1M50100	Photointerrupter		B	1	
34	A034M20100	Conveyance Solenoid		C	1	
35	4011585202	SHOULDER SCREW		C	2	
36	A161701800	Protection Sheet		D	2	
37	A161N12H00	Sensor Wiring /3		D	1	
38	A161M50000	Photo sensing		I	1	
39	A161M50300	Photo sensing		I	1	
40	A161700901	Reinforce Plate		D	1	
41	A161702101	Cushion /C		C	1	
42	A7PU701000	Reinforce Plate		D	1	
43	A7PU701100	Plate spring		D	1	

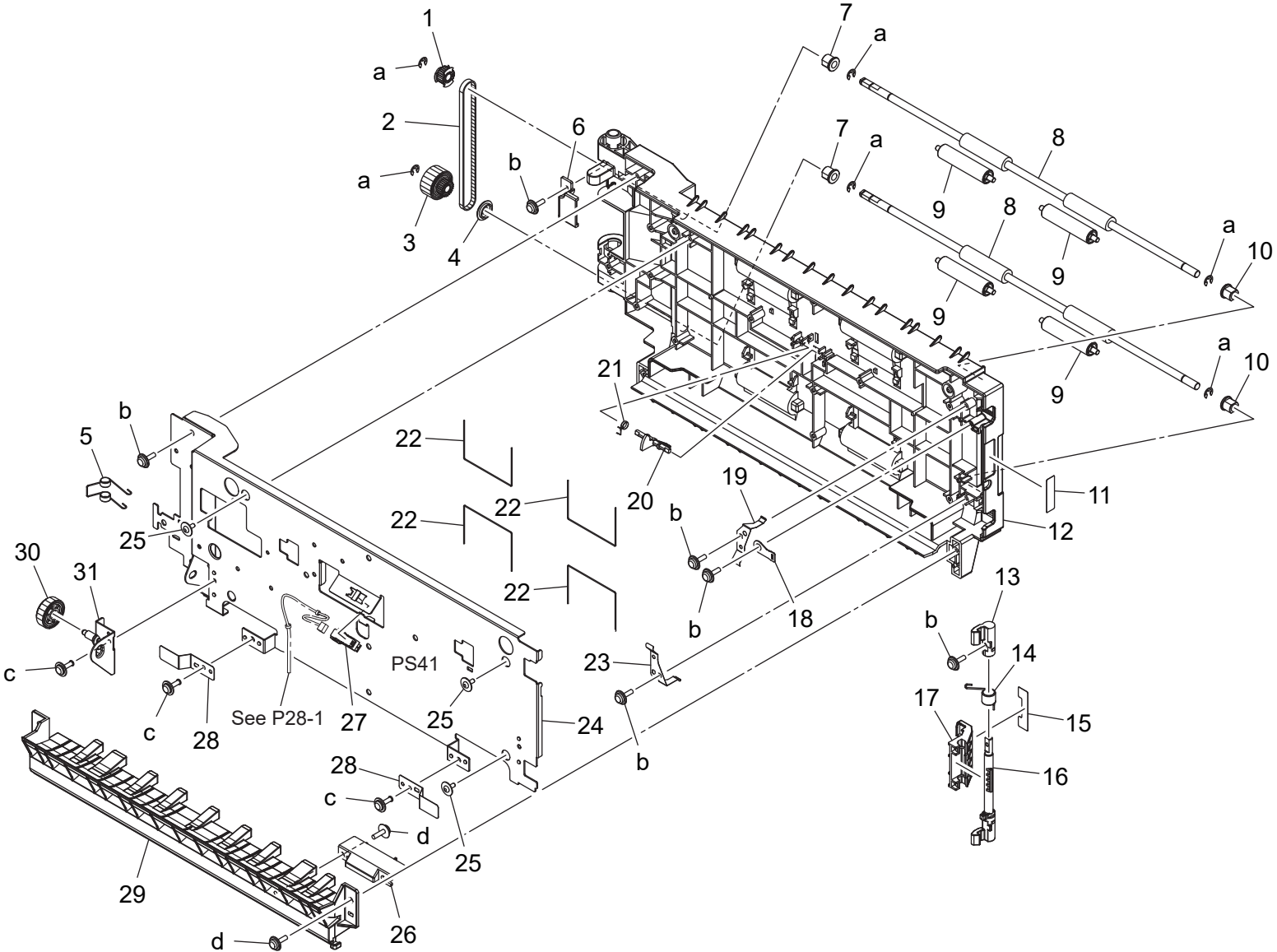
VERTICAL TRANSPORT SECTION



VERTICAL TRANSPORT SECTION

Key	Part No.	Description	Destinations	Class	QTY	Standard parts
1	A161N10H01	Conveyance Wiring		D	1	a-V153030803 b-V137030803 c-V162020504 d-V116030803
2	4163529301	SCREW		C	1	
3	A161712700	Spring /C		D	1	
4	A161712401	Ground Spring /A		D	1	
5	A161711100Old	Ground Plate /C		D	1	
5	A5C1715100	Ground Plate /C		D	1	
6	A5C1711000	Ground Spring /B		D	1	
7	V800500300	FIXED POWER RESISTORS		D	1	
8	A5C1710900	Ground Plate /A		D	1	
9	A0ED703800	Actuator		D	1	
10	A5C1M50100	Photointerrupter		B	1	
11	A161710103	Holder /A		D	1	
12	A161550700	Transfer Holder /2		C	1	
13	A5C1711800	Support Plate /Front		D	1	
14	A0ED551000	Compressing Coil spring /2		C	2	
15	A0ED551100	Compressing Coil spring		D	1	
16	A161712300	Fixing Part /Lower		D	1	
17	A0ED550900	Mounting Plate		D	1	
18	A5C1551701	Guide Seal		D	1	
19	A161712500	Ground Spring /C		D	1	
20	A161551600	Mounting Plate		D	1	
21	A161551500	Transfer Holder /2		C	1	
22	A161104101	Adjusting Plate		D	1	
23	A161R71433	2nd Image Transfer Rollor Assy	G2	A	1	
23	A161R71433	2nd Image Transfer Rollor Assy	A,A1,B	A	1	
24	A0ED550800	Neutralizing Part		D	1	
25	A7PUR72411	Vertical Transport Assy		S	1	
26	A161711200	Pressing Spring		D	2	

VERTICAL TRANSPORT SECTION



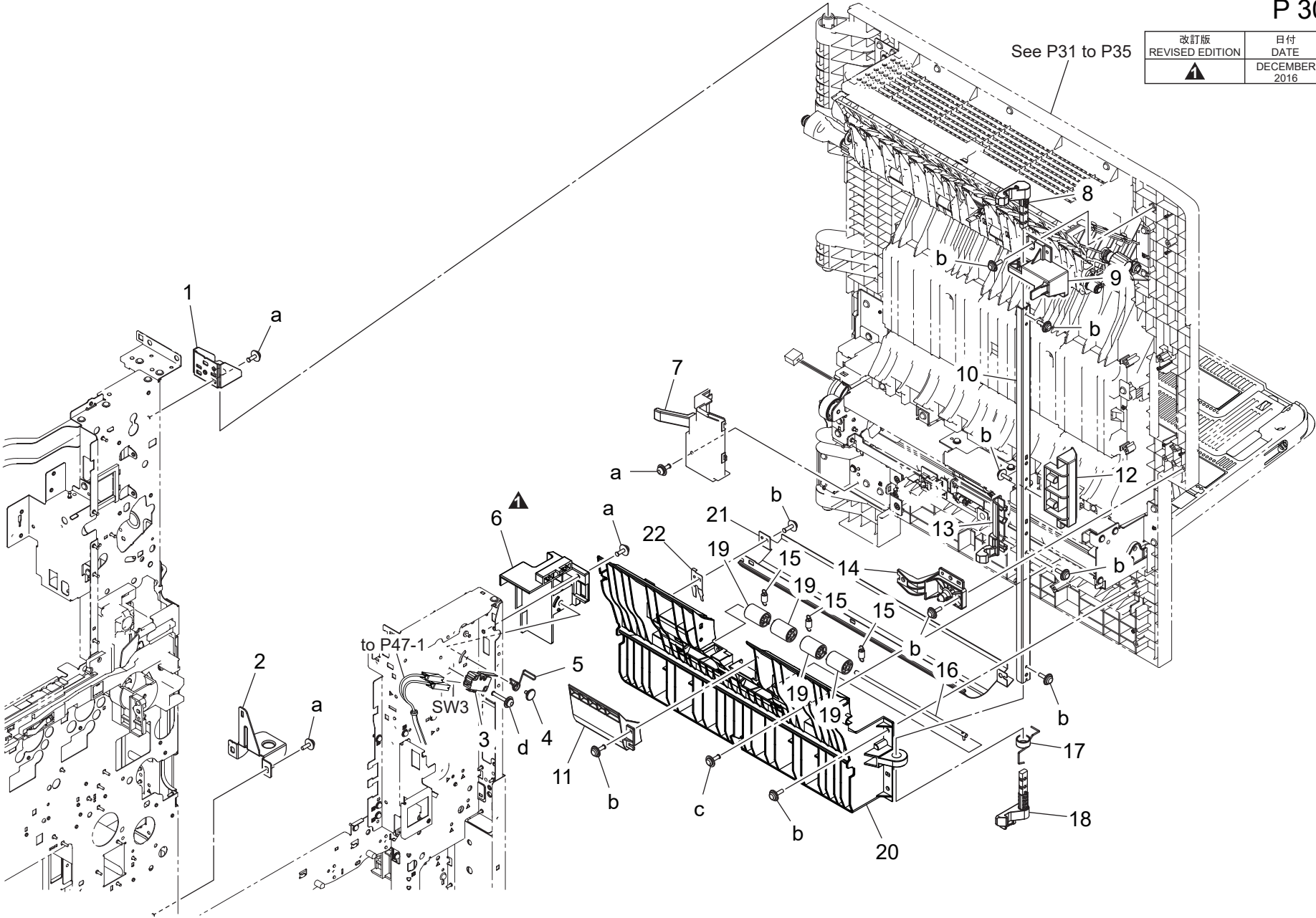
VERTICAL TRANSPORT SECTION

Key	Part No.	Description	Destinations	Class	QTY	Standard parts
1	A0ED811700	Pulley 22T		C	1	a-V217040001 b-V153030803 c-V137030803 d-V153031003
2	A161719000	Drive Belt 266L		C	1	
3	A64J709100	Gear 22/23T		C	1	
4	A0ED811900	Collar		D	1	
5	A161712900	Ground Spring /D		D	1	
6	A161712600	Cover /C		D	1	
7	A161713100	Bushing /1		D	2	
8	A161710500	Roller /A		D	2	
9	A161825700	Idler Roller /A		D	4	
10	A02E815200	BUSHING		C	2	
11	A161946400	Label M6		D	1	
12	A5C1710200	Guide Plate /A		D	1	
13	A161711300	Lock Shaft /A		C	1	
14	A161711700	Spring /B		C	1	
15	A161946200	Label M1		D	1	
16	A5C1711500	Lock Shaft		C	1	
17	A161711600	Open/close Lever		C	1	
18	A161714500	Fixing Part		D	1	
19	A161712000	Ground Plate /D		D	1	
20	A161713500	Actuator		C	1	
21	A161712800	Spring /D		D	1	
22	A161714600	Conveyance Spring /B		D	4	
23	A161712100	Ground Plate /E		D	1	
24	A161710405	Mounting Plate		D	1	
25	4163529301	SCREW		C	3	
26	A161816300	Lock Plate		D	1	
27	A5C1M50100	Photointerrupter		B	1	
28	A0ED702400	Plate spring		D	2	
29	A161710300	Guide Plate /B		D	1	
30	A64J719100	Gear 23T		C	1	
31	A161711901	Support Plate /Rear		D	1	

VERTICAL CONVEYANCE DOOR SECTION

改訂版 REVISED EDITION	日付 DATE
▲	DECEMBER 2016

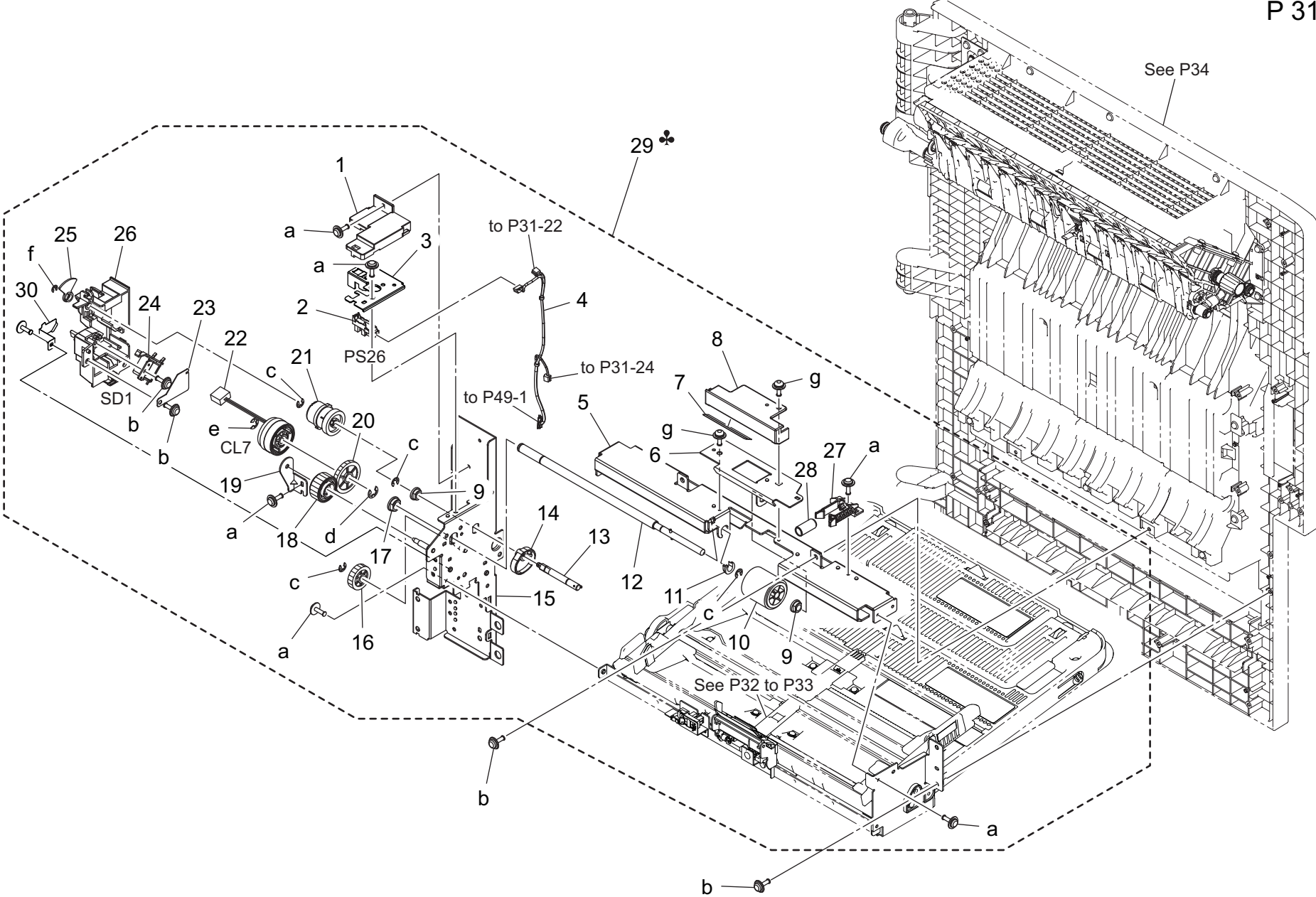
See P31 to P35



VERTICAL CONVEYANCE DOOR SECTION

Key	Part No.	Description	Destinations	Class	QTY	Standard parts
1	A161121300	Adjusting Plate		D	1	a-V116030803 b-V153030803 c-V137030804 d-V116031603
2	A161102500	Adjusting Plate		D	1	
3	9J06M60100	MICRO SWITCH		C	1	
4	A161137100	Shoulder screw		D	1	
5	A161151200	Torsion Coil spring		D	1	
6	A5C1121202	Holder		D	1	
7	A161592900	Wiring Cover /B		D	1	
8	A0ED712100	Lock Claw		C	1	
9	A161811500	Support Part /Upper		D	1	
10	A161811001	Lock Plate		D	1	
11	A5C1590500	Paper feed Guide		D	1	
12	A161811100	Open/close Handle		C	1	
13	A5C1815200	Lock /Middle		C	1	
14	A161811302	Lock Part /Lower		D	1	
15	A64J815500	Pulling Spring		C	3	
16	A161815300	Shaft		D	1	
17	A161815900	Torsion Coil spring		C	1	
18	A5C1811600	Lock Claw /Lower		C	1	
19	A161815400	Roll		C	4	
20	A161810305	Guide Plate /2		D	1	
21	A161815000	Guide Door		D	1	
22	A161816200	Ground Guide		D	1	

BYPASS TRAY SECTION

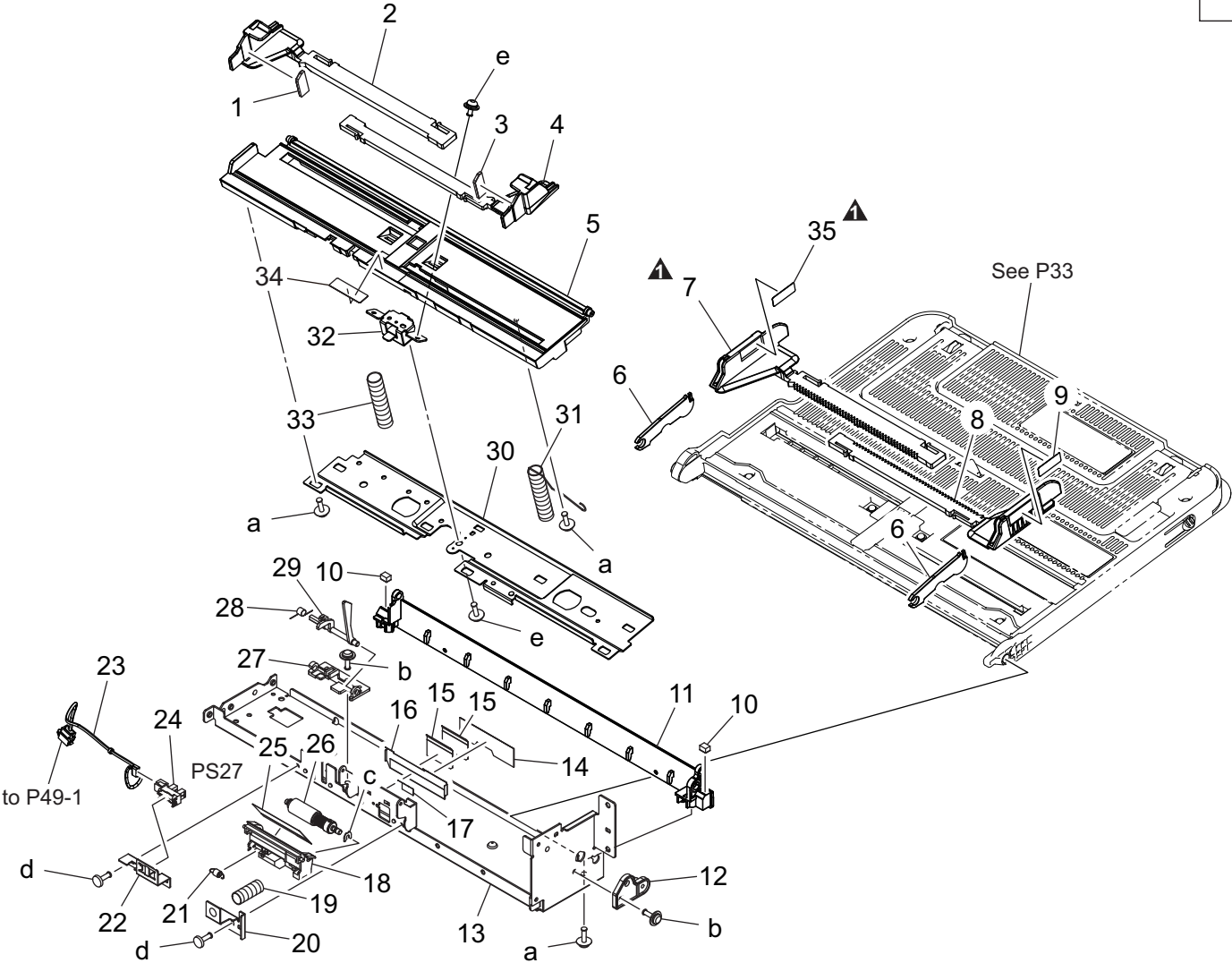


BYPASS TRAY SECTION

Key	Part No.	Description	Destinations	Class	QTY	Standard parts
1	A161592800	Wiring Cover /A		D	1	a-V137030803 b-V153030803 c-V217040001 d-V217060001 e-V217050001 f-V217030001 g-V116030803
2	A5C1M50100	Photointerrupter		B	1	
3	A5C1591900	Mounting Plate		D	1	
4	A161N12200	Paperfeed Drive harness /1		D	1	
5	A161590201	Paper feed Frame		D	1	
6	A161594100	Reinforce Plate		D	1	
7	A161594700	Guide Sheet		C	1	
8	A161591700	Auxiliary Guide		D	1	
9	A02E596300	Bushing		C	2	
10	A00F623201	Roller		B	1	
11	A161594400	Slide Stopper		C	1	
12	A161591500	Paper feed Shaft		D	1	
13	A161591400	Drive Shaft		D	1	
14	A161593300	Paper feed Cam		C	1	
15	A161F59002	Caulking(Mounting Plate Drive Frame)		D	1	
16	A02E595400	Gear 22T		C	1	
17	4131353202	BUSHING		C	1	
18	A161590800	Bypass Gear 24T		C	1	
19	A161590600	Reinforce Plate		D	1	
20	A02E596100	Gear 30T		C	1	
21	A02E595100	Clutch assy		C	1	
22	A02EM20100	Clutch		B	1	
23	A0ED597800	Cover		D	1	
24	9321240011	SOLENOID		C	1	
25	A161591300	Light blocking Plate		C	1	
26	A5C1591200	Drive Cover		D	1	
27	A161594800	Hold Claw		C	1	
28	A161594900	Coil spring		C	1	
29	A7PUR71722	Manual Feed Tray Assy /Metric	A,A1,H	S	1	
29	A7PUR71822	Manual Feed Tray Assy /Inch	B,G2	S	1	
30	A7PU596900	Auxiliary Cover		D	1	

BYPASS TRAY SECTION

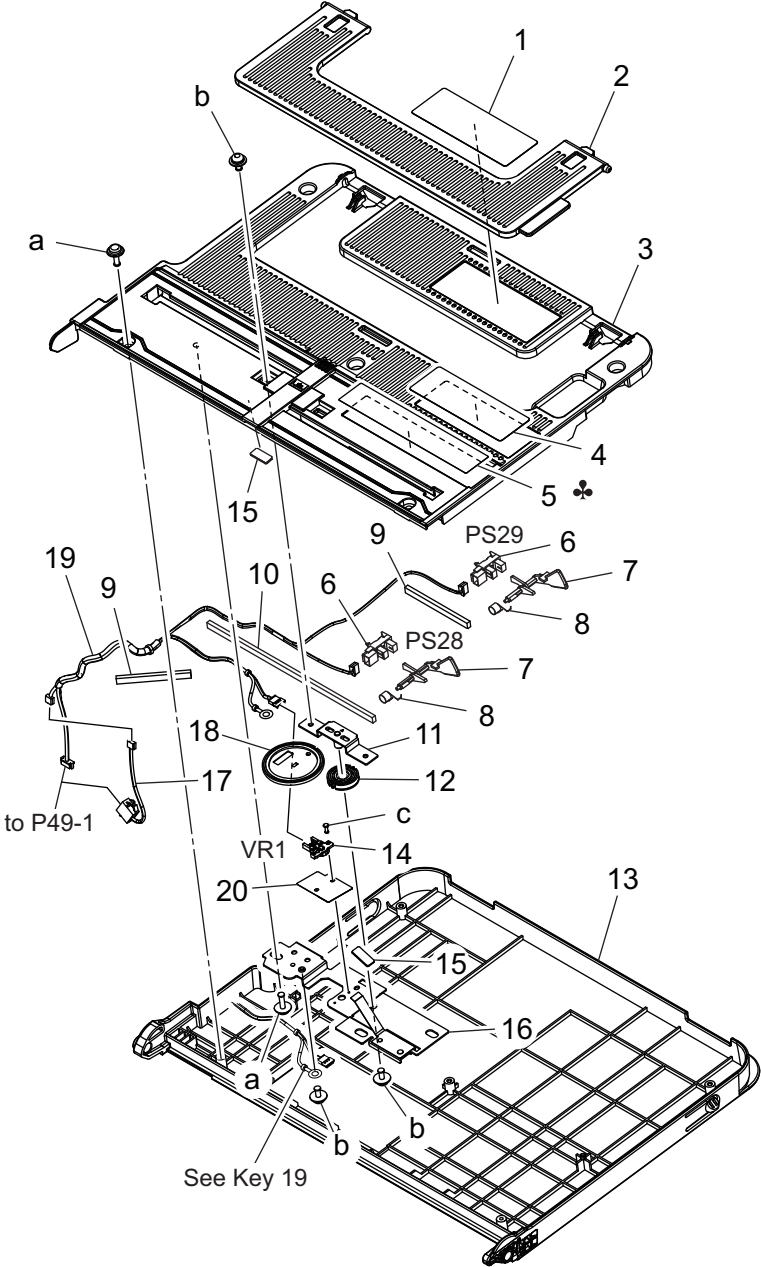
改訂版 REVISED EDITION	日付 DATE
▲	MARCH 2018



BYPASS TRAY SECTION

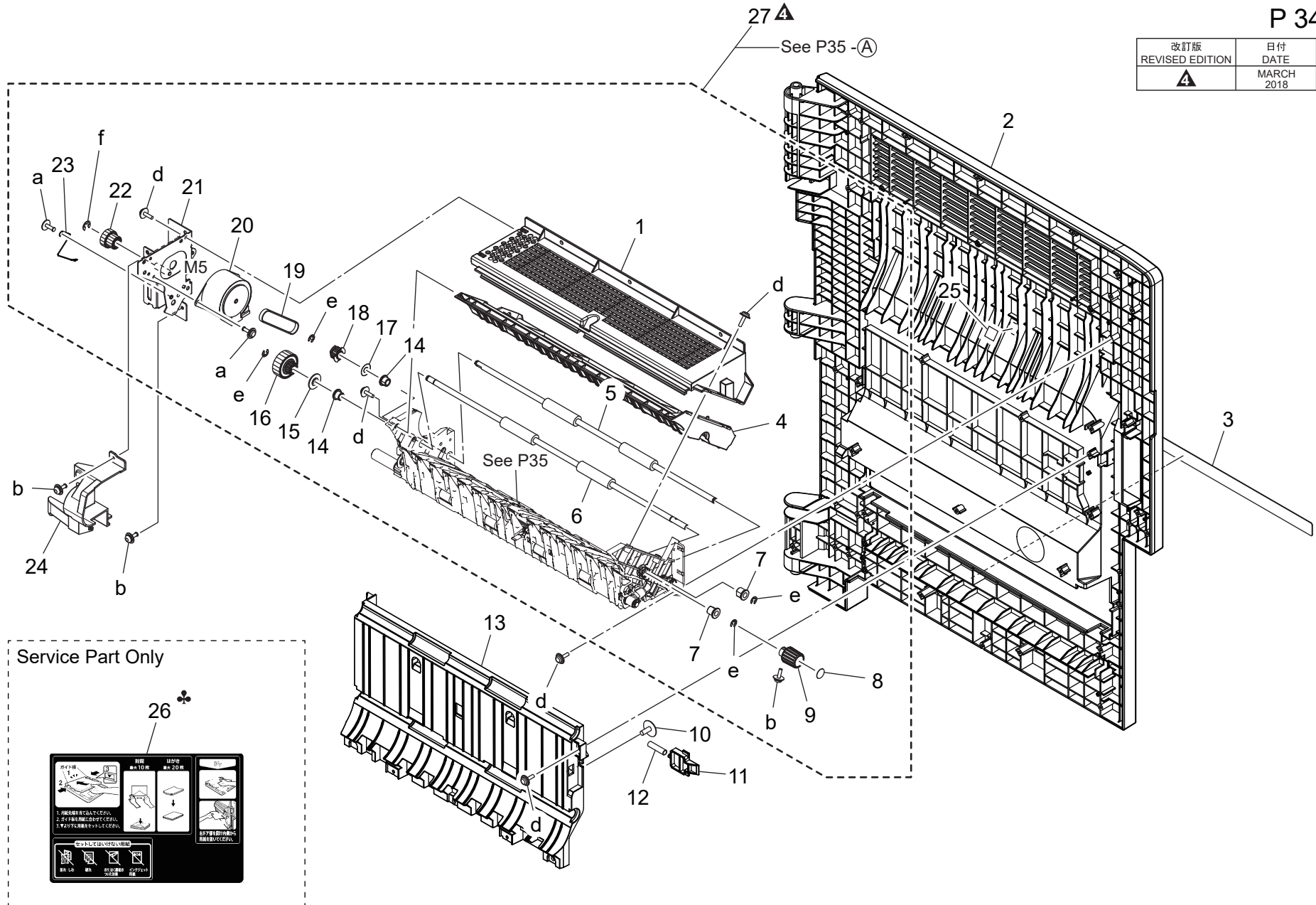
Key	Part No.	Description	Destinations	Class	QTY	Standard parts
1	A161594500	Brake Part		C	1	a-V153030803 b-V137030803 c-V218030086 d-V118030803 e-V116030604
2	A7PU596200	Regulating Plate /R		C	1	
3	A161594600	Brake Part /F		C	1	
4	A7PU596100	Regulating Plate /L		C	1	
5	A7PU593000	Lifting Plate		D	1	
6	A7PU595500	Lever		C	2	
7	A7PU593200Old	Regulating Plate /R		C	1	
7	A7PU593201	Regulating Plate /R		C	1	
8	A7PU593100	Regulating Plate /F		C	1	
9	A7PU944900	Label		C	1	
10	A161594201	Cushion		D	2	
11	A161590304	Support Holder		D	1	
12	A161591600	Hold Plate		C	1	
13	A161590101	Bypass Frame		D	1	
14	A161595100	Seal		C	1	
15	4030340301	GUIDE		C	2	
16	A161595300	Separating Plate		C	1	
17	A161595600	Slide Guide		C	1	
18	A161595000	Holder		D	1	
19	4030347501	PRESSURE SPRING		C	1	
20	A161595400	Hold Plate		D	1	
21	A161595200	Pulling Coil spring		C	1	
22	A161591800	Sensor Holder		D	1	
23	A7PUN10A00	Harness/ Sensor		D	1	
24	A5C1M50100	Photointerrupter		B	1	
25	A02E597600	Guide		C	1	
26	4658015106	Roller Assy		A	1	
27	A161591100	Sensor Holder		D	1	
28	A161591000	Torsion Spring		C	1	
29	A161590901	Actuator		C	1	
30	A7PU596700	Mounting Plate		D	1	
31	A161593600	Compressing Coil spring		C	1	
32	A7PU596000	Mounting Plate		D	1	
33	A161593400	Compressing Coil spring		C	1	
34	A7PU594000	Separating Sheet		C	1	
35	A7PU944500	Label		C	1	

BYPASS TRAY SECTION



REVERSAL UNIT

改訂版 REVISED EDITION	日付 DATE
▲	MARCH 2018

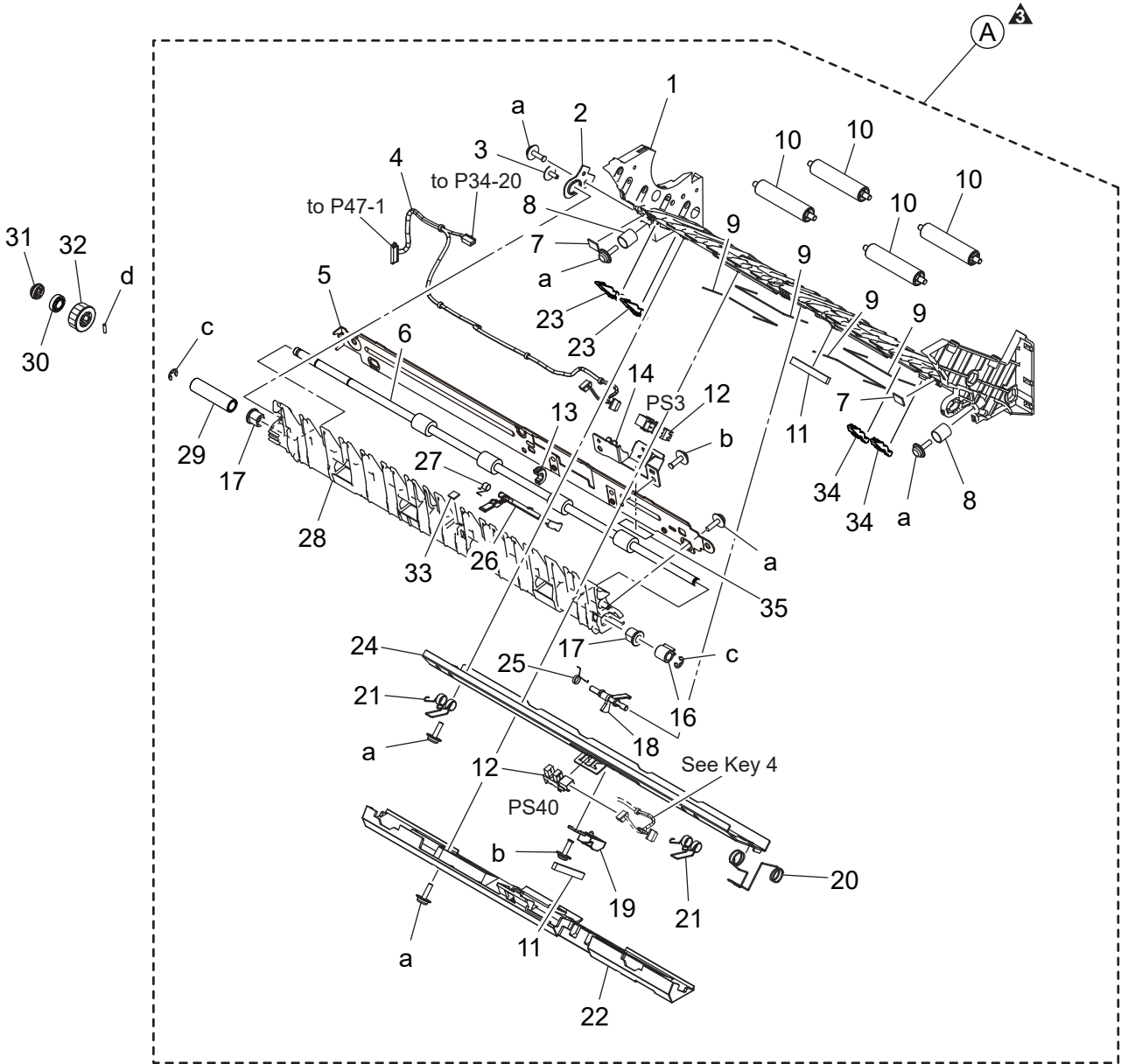


REVERSAL UNIT

Key	Part No.	Description	Destinations	Class	QTY	Standard parts
1	A161810701	Cover /Upper		D	1	a-V137030803 b-V116030803 c-V217050001 d-V153030803 e-V217040001 f-V217030001
2	A7PU810101	Guide Door /Right		C	1	
3	A161815100	Cover Door		C	1	
4	A5C1822000	Guide Plate		D	1	
5	A161814601	Roller /C		C	1	
6	A161813701	Roller /B		C	1	
7	A02E815200	BUSHING		C	2	
8	A161946100	Label M5		C	1	
9	A161814700	Knob /A		C	1	
10	4163529301	SCREW		C	1	
11	A5C1815700	Open/close Claw		C	1	
12	A161815800	Swing Spring		C	1	
13	A7PU810200	Guide Plate /1		D	1	
14	A161813300	Bushing /A		C	2	
15	A161813801	Collar /A		C	1	
16	A5C1819700	Gear 22/29T		C	1	
17	A161816400	Spacer /A		C	1	
18	A0ED811700	Pulley 22T		C	1	
19	A161819000	Drive Belt 156L		C	1	
20	A7PUM10300	Stepping motor		C	1	
21	A161F81103Old	Caulking(Panel Rear)		D	1	
21	A7PU811300	Panel /Rear		D	1	
22	A5C1819600Old	Gear 16/26T		C	1	
22	A7PU819600	Gear /4		C	1	
23	A5C1814300	Contact /B		D	1	
24	A161814901	Cover /B		D	1	
25	A00F941100	Label (高温マーク)		D	1	
26	A7PU944600	Label (手差し・操作)	A,A1	C	1	
27	A7PUR75311	Riverse Assy		C	1	

REVERSAL UNIT

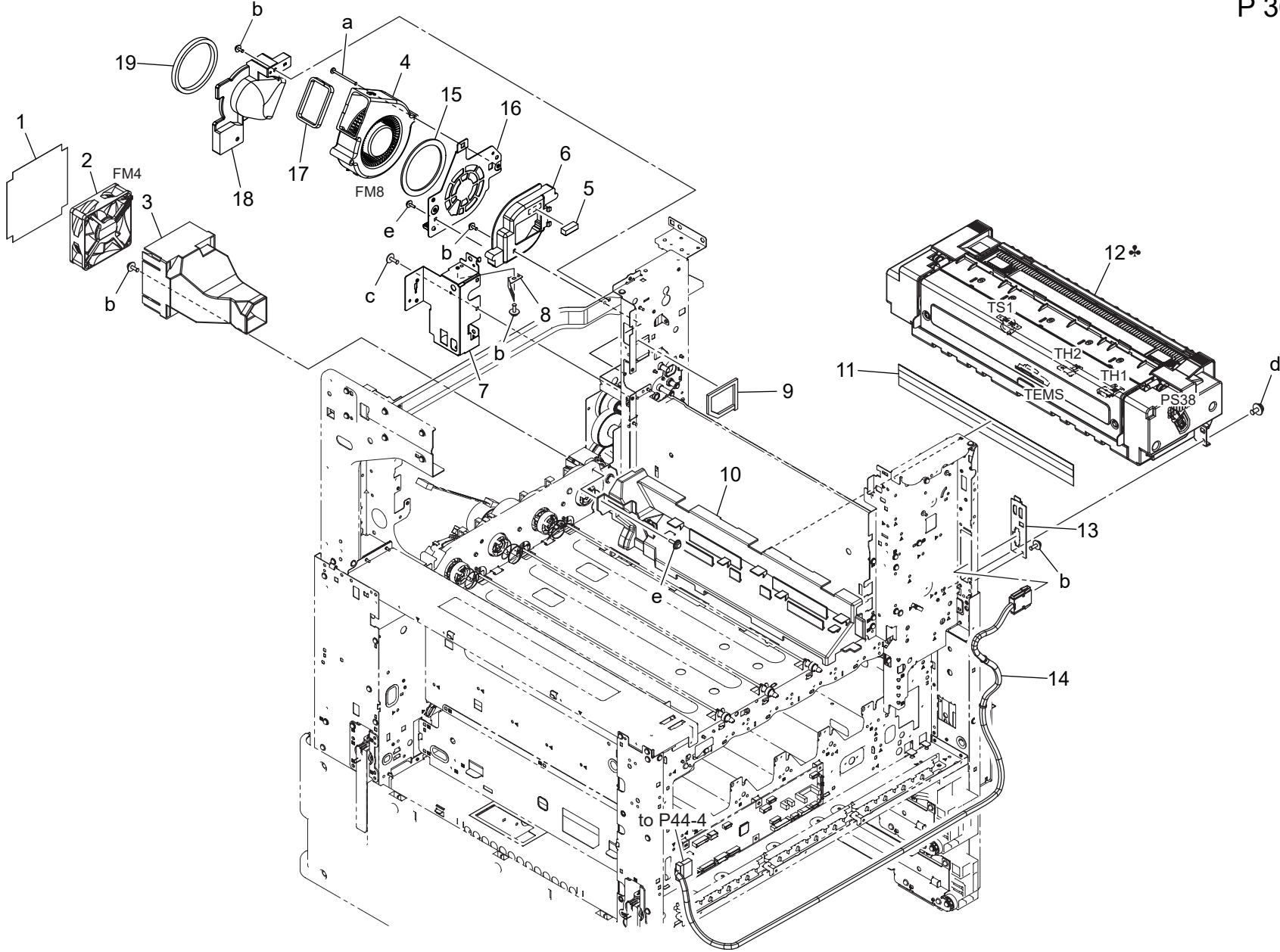
改訂版 REVISED EDITION	日付 DATE
	MARCH 2018



REVERSAL UNIT

Key	Part No.	Description	Destinations	Class	QTY	Standard parts
1	A5C1811700	Guide Plate /3	ガイド板 / 3	D	1	a-V153030803 b-V137030803 c-V217040001 d-V234200850
2	A161814401	Mounting Plate /3	取付板 / 3	D	1	
3	4163529301	SCREW	ねじ	C	1	
4	A161N12100	Conveyance Drive harness /Upper	搬送駆動束線 / 上 (ADU 上)	D	1	
5	A161810801Old	Mounting Plate /2	取付板 / 2	D	1	
5	A7PU810800	Mounting Plate /2	取付板 / 2	D	1	
6	A5C1810603	Roller /1	ローラ / 1	C	1	
7	A161825301	Cushion /A	クッション / A	D	2	
8	A161813600	Pressing Spring /A	押圧ばね / A	C	2	
9	A0ED815100	Holding Part	押さえ材 (ADU 第 1 R)	D	4	
10	A161825700	Idle Roller /A	従動ローラ / A	D	4	
11	A161825800	Cushion /B	クッション / B	D	2	
12	A5C1M50100	Photointerrupter	透過型センサ	B	2	
13	A161819500	Bushing /C	すべり軸受 / C	C	1	
14	A161825102	Mounting Plate /4	取付板 / 4	D	1	
16	A161814500	Bushing /B	すべり軸受 / B	C	1	
17	A02E815200	BUSHING	軸受	C	2	
18	A161813200	Actuator	アクチュエータ (ADU 上 JAM 検)	C	1	
19	A161825400	Wiring Part	配線部材	D	1	
20	A5C1814200	Contact /A	接点 / A	D	1	
21	A161813400	Torsion Coil spring	ねじりコイルばね (ガイド押さえ)	D	2	
22	A161813902	Cover /A	カバー / A	D	1	
23	A5C1811901	Guide Plate /Rear	ガイド板 / 奥	D	2	
24	A7PU810900	Mounting Plate /1	取付板 / 1	D	1	
25	A161712800	Spring /D	ばね / D	D	1	
26	A161813001	Actuator	アクチュエータ (排紙 JAM 検)	C	1	
27	A161813100	Torsion Coil spring	ねじりコイルばね (排紙 JAM 検)	C	1	
28	A161810503	Guide Plate /4	ガイド板 / 4 (排紙前)	D	1	
29	A5C1825500Old	Cover /D	カバー / D	D	1	
29	A7PU825500	Collar	カラー	D	1	
30	A5C1825000	Bushing	すべり軸受	C	1	
31	A161825000	Bushing	すべり軸受 (排紙ドッキング丸 2)	C	1	
32	A161819200	Gear 18T	ギア 18 T	C	1	
33	A161826001	Cushion /B	クッション / B	D	1	
34	A5C1811803	Guide Plate /Front	ガイド板 / 前	D	2	
35	A79J821000	Protection Part	保護部材	C	1	

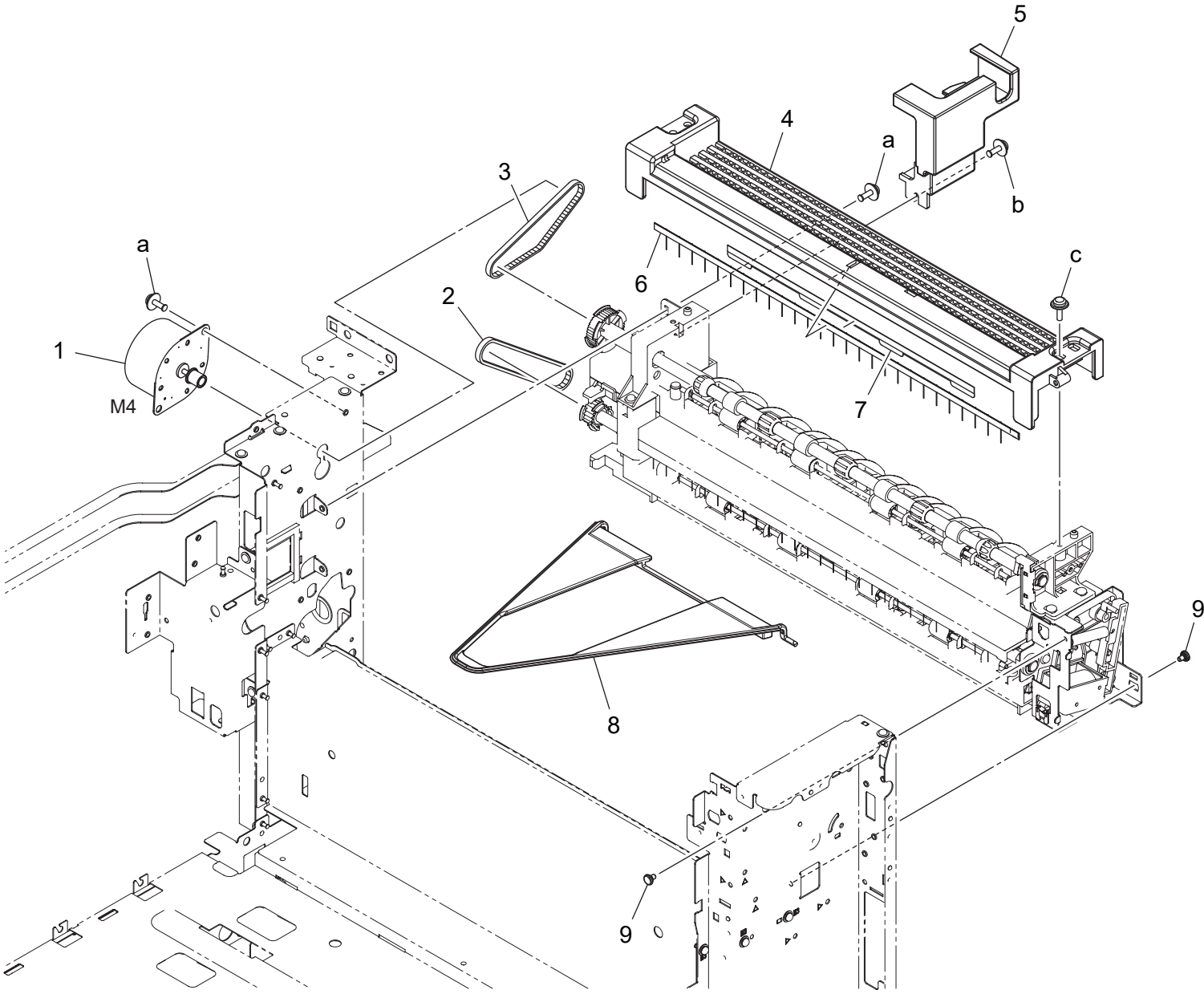
FUSING SECTION




FUSING SECTION

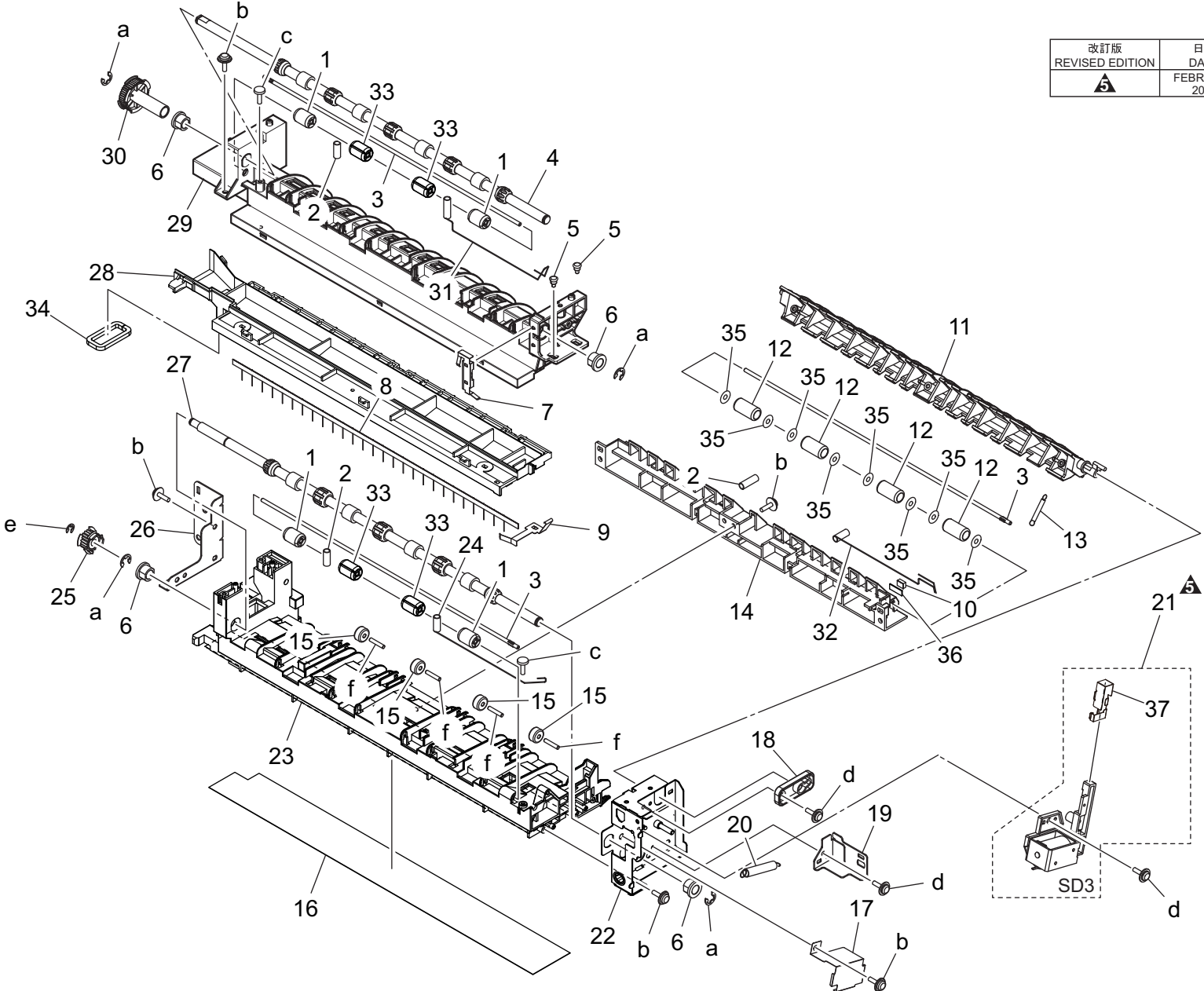
Key	Part No.	Description	Destinations	Class	QTY	Standard parts
1	A0ED146900	Filter		C	1	a-V116033503 b-V116030803 c-V137030803 d-V116041003 e-V153030803
2	4139M10000	Fan motor		B	1	
3	A161140501	Duct		D	1	
4	9313100072	FAN MOTOR		C	1	
5	A5C1149400	Fixing Sheet		D	1	
6	A5C1140300	Duct /1		D	1	
7	A5C1121100	Mounting Plate		D	1	
8	A161122500	Ground Plate		D	1	
9	A161121401	Seal /Upper		D	1	
10	A161140400	Duct		D	1	
11	A161102700	Seal		D	1	
12	A161R71788	Fusing Unit 100V	A,A1	B	1	
12	A161R71888	Fusing Unit 120V	B,G2	B	1	
12	A161R73244	Fusing Unit 110V	H	A	1	
13	A161137202	Mounting Plate		D	1	
14	A5C4N10500	Heater Relay harness /3		D	1	
15	A02E117300	Seal		C	1	
16	A5C1148100	Mounting Plate		D	1	
17	A7PU143300	Seal		C	1	
18	A7PU142300	Duct		D	1	
19	A7PU143400	Seal		C	1	

PAPER EXIT SECTION



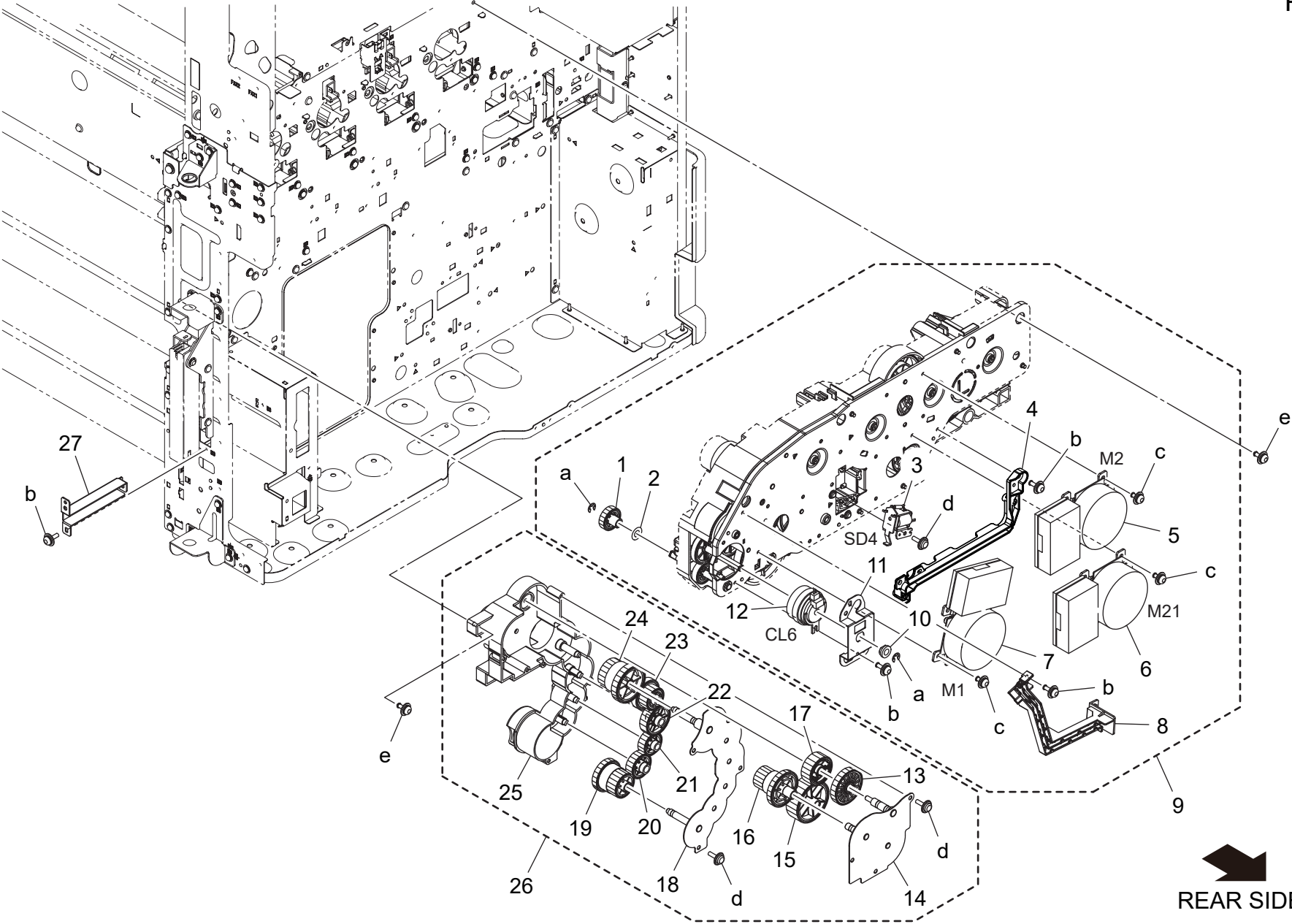
PAPER EXIT SECTION

改訂版 REVISED EDITION	日付 DATE
	FEBRUARY 2018



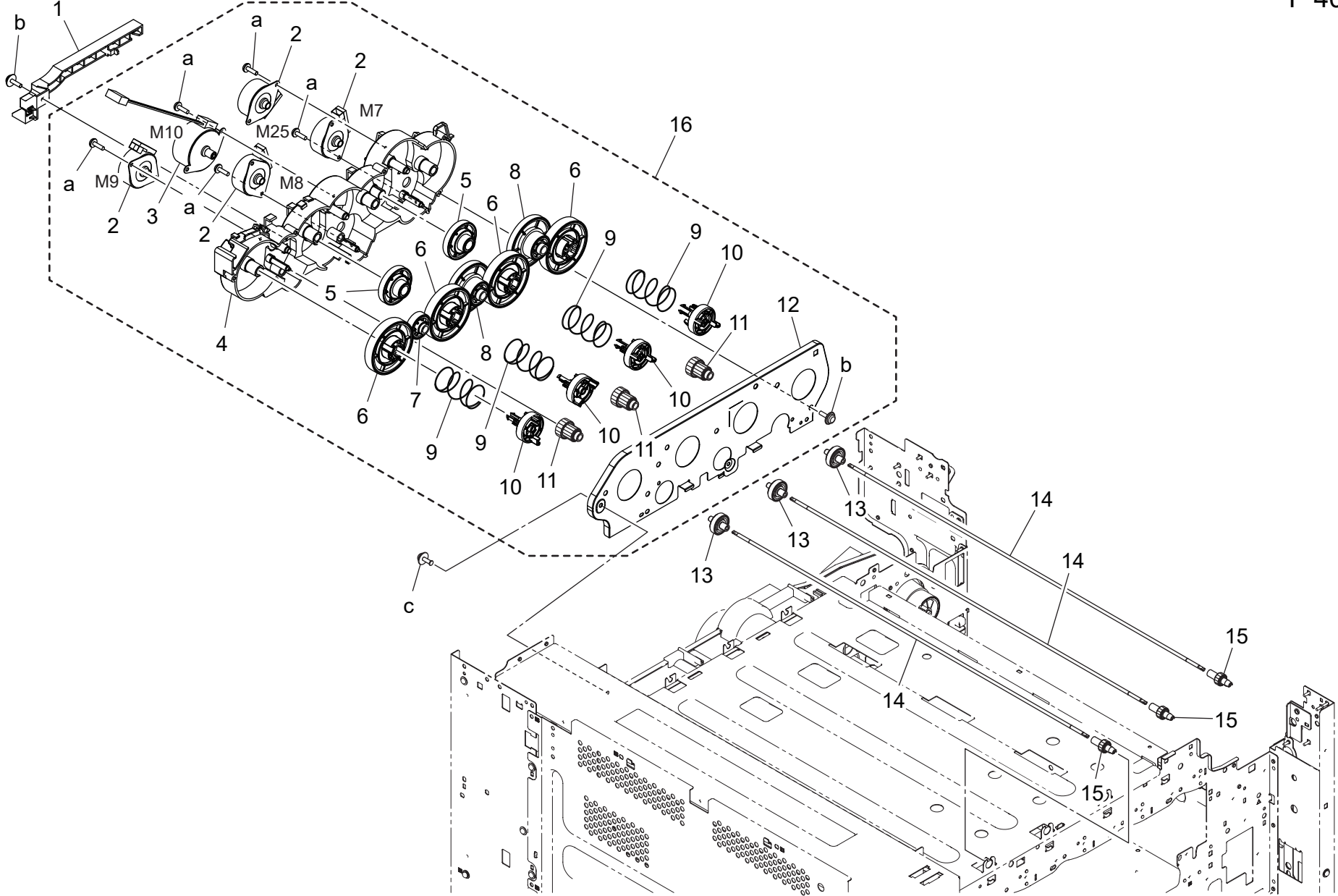
Key	Part No.	Description	Destinations	Class	QTY	Standard parts
1	4004590301	ROLL		C	4	a-V217060001 b-V153030803 c-V149030803 d-V137030803 e-V217040001 f-V234301650
2	A161892400	Spring		C	3	
3	4025598401	SHAFT		D	3	
4	A161895400	Roller		C	1	
5	1164202801	SHOULDER SCREW		D	2	
6	A0ED891100	Bushing		D	4	
7	A161895502	Ground Contact /Upper		D	1	
8	A161894000	Neutralizing Brush		C	1	
9	A161895600	Ground Contact /Lower		D	1	
10	A161893601	Cushion		D	1	
11	A5C1890401	Guide Lever		D	1	
12	A2X0901100	Roll		C	4	
13	A161892100	Spring		C	1	
14	A7PU890200	Guide Part /Lower		D	1	
15	A0ED897700	Collar		C	4	
16	A5C1900500	Seal		C	1	
17	A7PU890700	Cover		D	1	
18	A161891000	Bushing		D	1	
19	A161892300	Mounting Plate		D	1	
20	A161892000	Spring		D	1	
21	A161R72644	Solenoid Assy		C	1	
22	A161F89003	Caulking(Mounting Plate)		D	1	
23	A5C1890100	Paper exit Main body		D	1	
24	A161900100	Ground Spring		C	1	
25	A161891301	Pulley 18T		D	1	
26	A161892902	Fixing Part		D	1	
27	A161890300	Roller		C	1	
28	A5C1900600	Paper exit Guide /Lower		D	1	
29	A161895113	Paper exit Guide /Upper		D	1	
30	A161895800	Pulley 44T		D	1	
31	A161900201	Ground Spring		C	1	
32	A161900300	Ground Spring		C	1	
33	A5C1891100	Roll		D	4	
34	A5C1900400	Seal		C	1	
35	A64J891200	Washer		D	8	
36	A64J891500	Sheet		D	1	
37	A7PU890800	Holding Part		D	1	

MAIN DRIVE/ PAPER FEED DRIVE SECTION

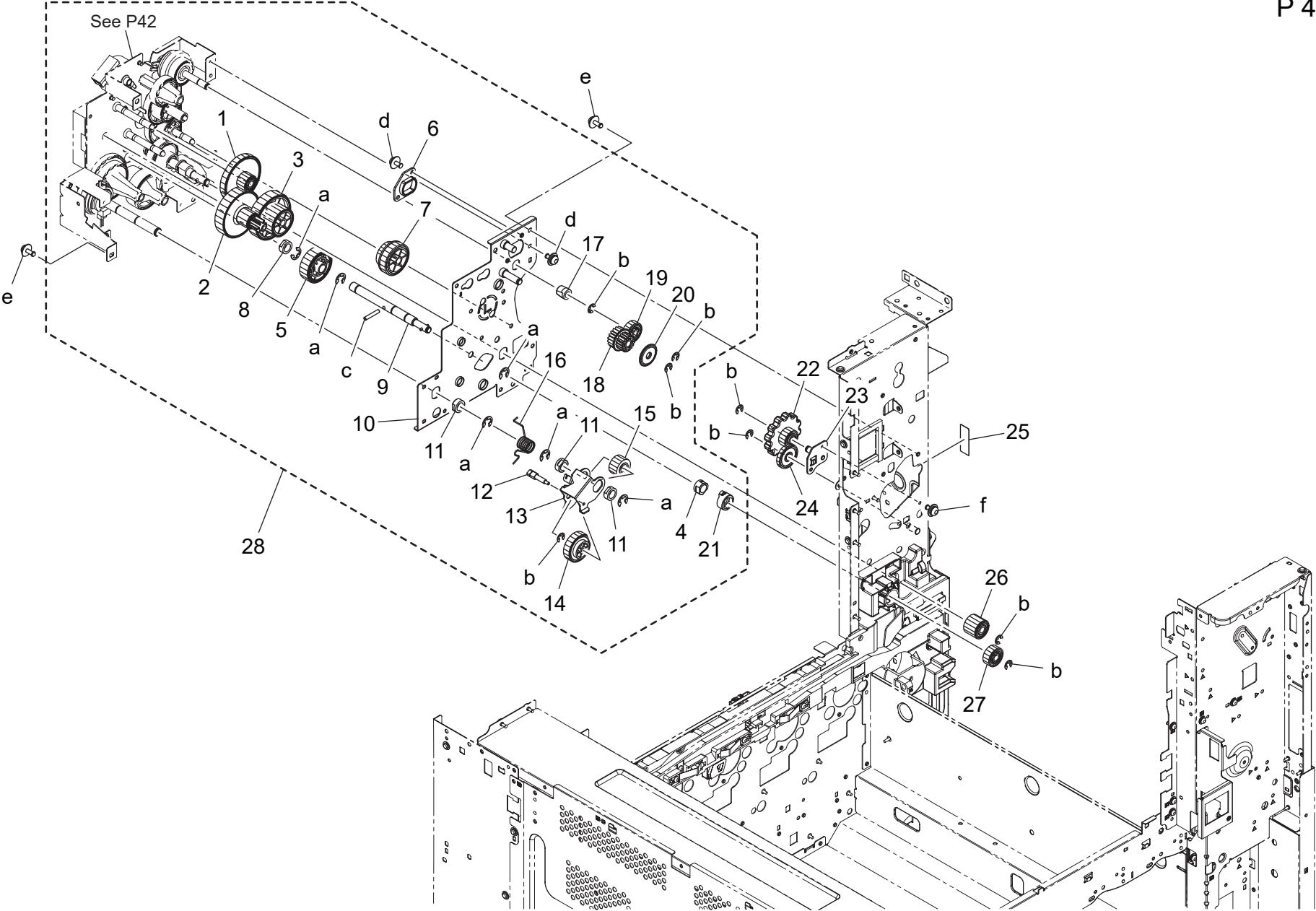


REAR SIDE

TONER BOTTLE DRIVE SECTION



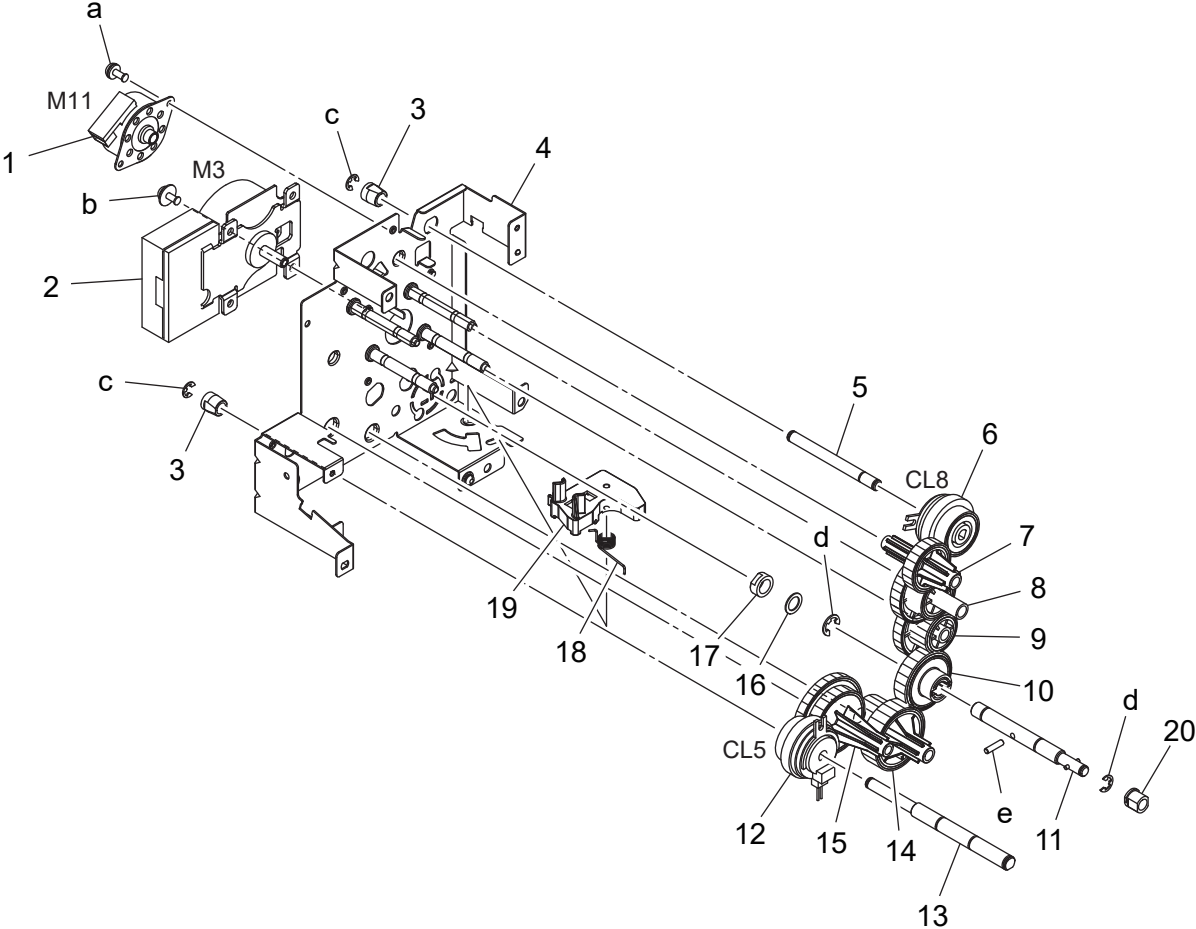
FUSING DRIVE SECTION



FUSING DRIVE SECTION

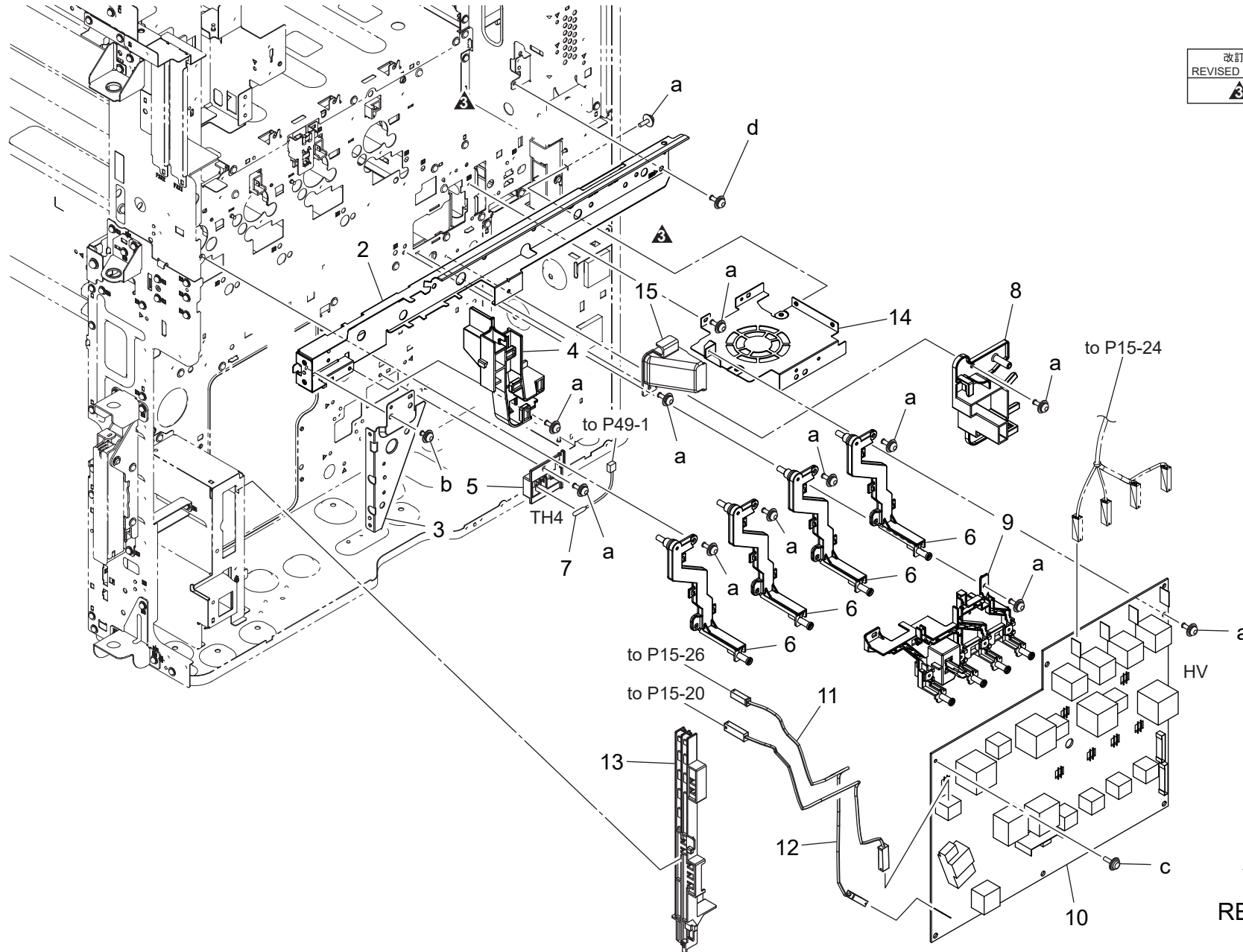
Key	Part No.	Description	Destinations	Class	QTY	Standard parts
1	A161254200	Gear 18/115T		D	1	a-V217060001 b-V217040001 c-V234301850 d-V116030603 e-V125030818 f-V116030803
2	A161254300	Gear 18/57T		D	1	
3	A161254400	Gear 33/55T		D	1	
4	A161254700	Bushing		D	1	
5	A161254500	Gear 38T		D	1	
6	A161232200	Bushing		D	1	
7	A161228800	Gear 22/23T		D	1	
8	A03U812800	Slide Shaft Holder		B	1	
9	A161256300	Shaft		D	1	
10	A161F25102	Caulking(Mounting Plate Fuser Drive 2L)		D	1	
11	A0ED259700	Bushing		C	3	
12	A161259400	Shaft		D	1	
13	A161258800	Mounting Plate		D	1	
14	A0ED257500	Gear 26T		C	1	
15	4038258001	GEAR 16T		C	1	
16	A161232501	Torsion Coil spring		D	1	
17	A161232300	Bushing		D	1	
18	A5C1231300	Gear 18/18T		C	1	
19	A161230700	Gear 18T		C	1	
20	A2XK224100	Collar		D	1	
21	A161232401	Collar		D	1	
22	A161122002	Gear 12T		D	1	
23	A161F10901	Caulking		D	1	
24	A161121900	Gear 17T		D	1	
25	A161941100	Label M4		D	1	
26	A5C1228700	Gear		C	1	
27	A5C1254600	Gear		C	1	
28	A7PUR72111	Fusing Drive Assy		S	1	

FUSING DRIVE SECTION



HIGH VOLTAGE SECTION

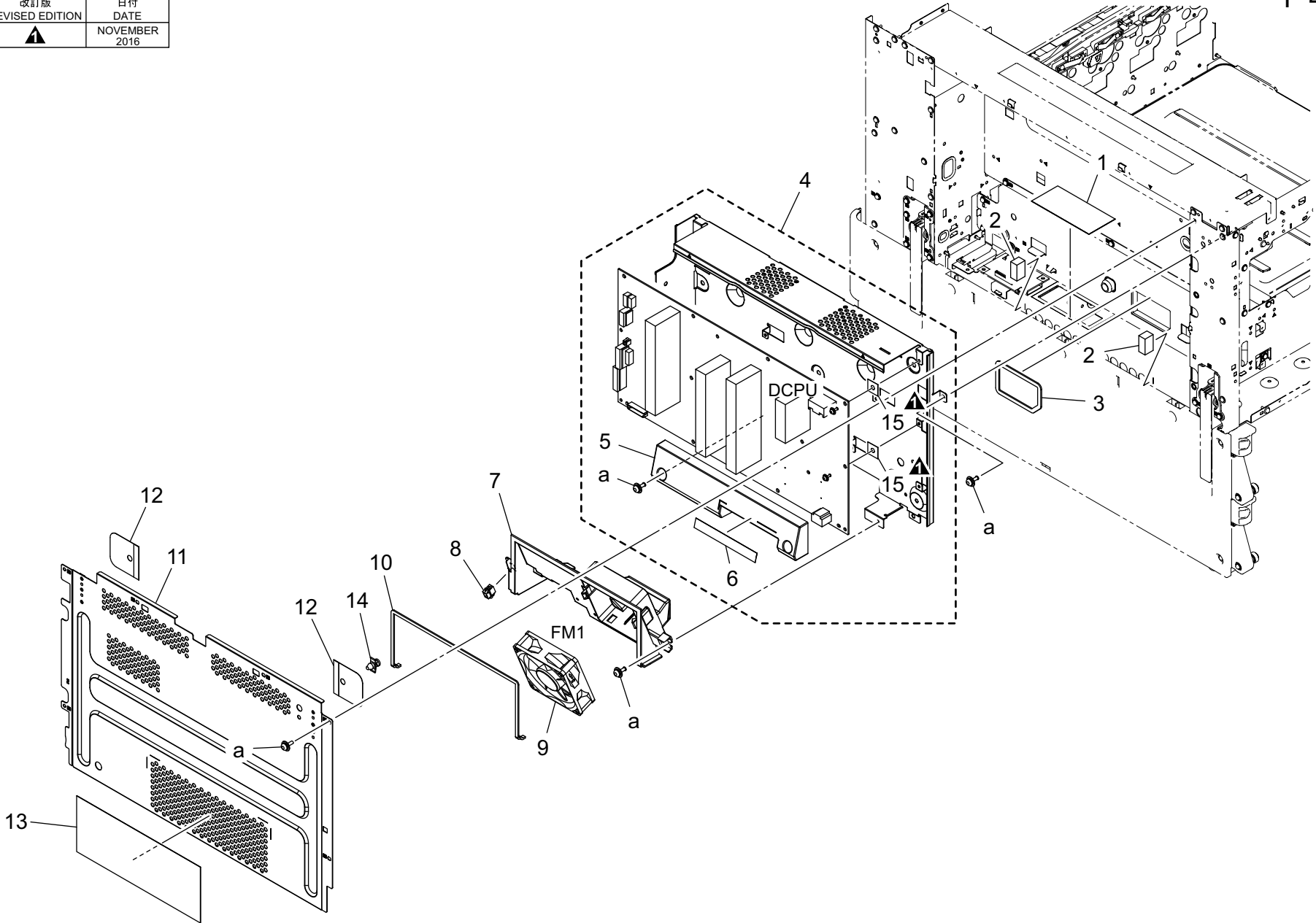
改訂版 REVISED EDITION	日付 DATE
3	JANUARY 2017



REAR SIDE

MAIN POWER SUPPLY SECTION

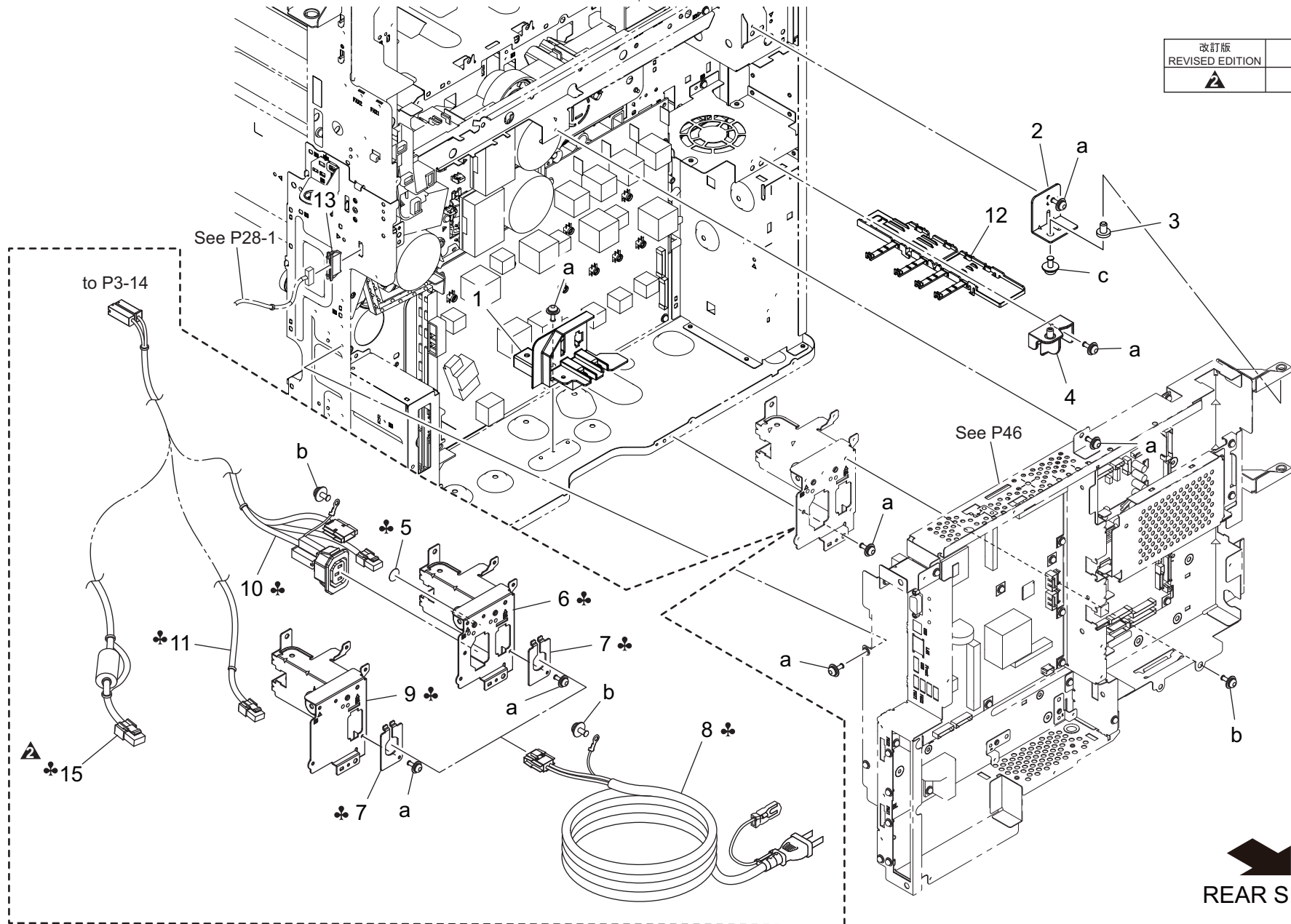
改訂版 REVISED EDITION	日付 DATE
▲	NOVEMBER 2016



ELECTRICAL COMPONENTS

P 45

改訂版 REVISED EDITION	日付 DATE
	APRIL 2018

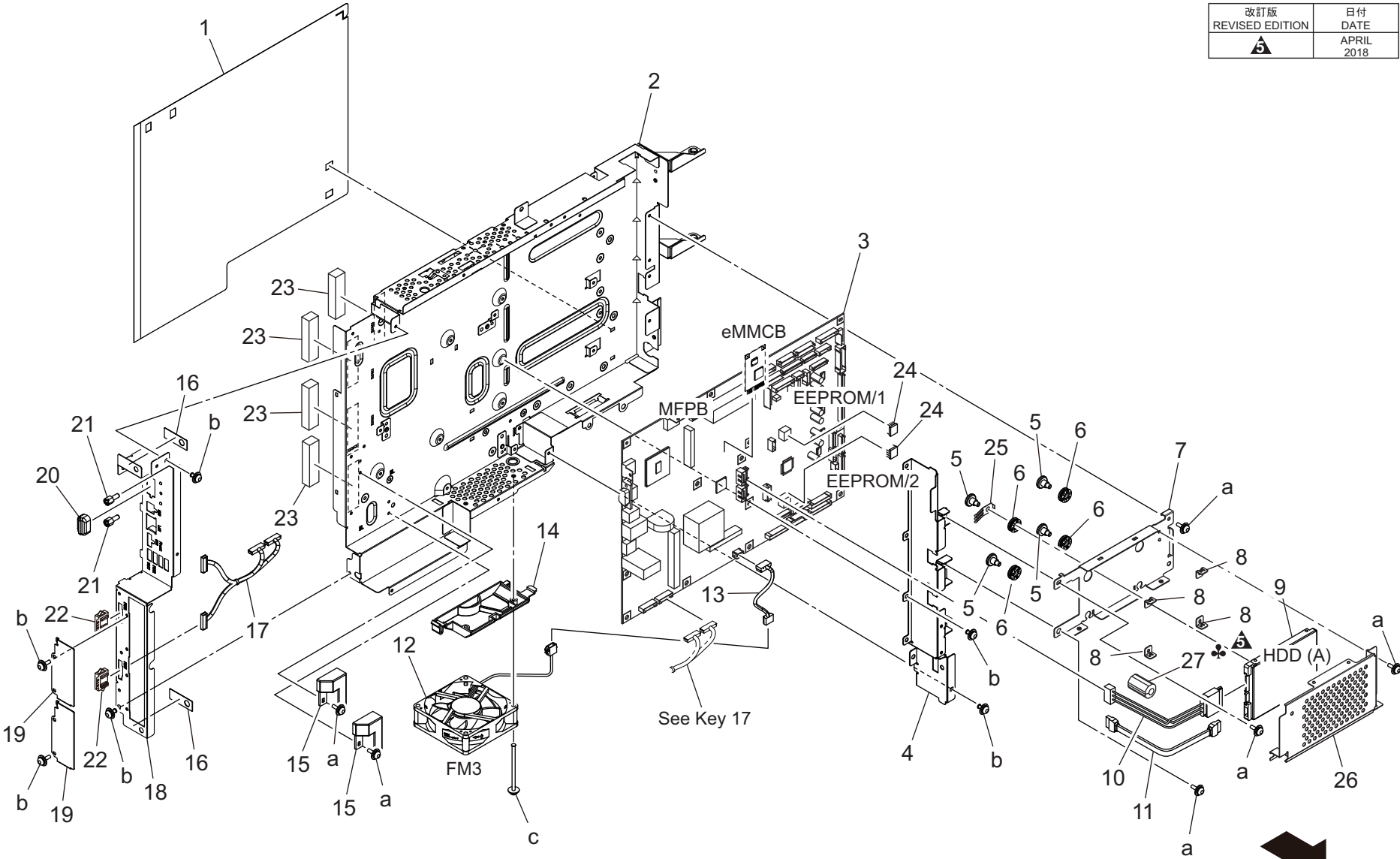



REAR SIDE

bizhub C258

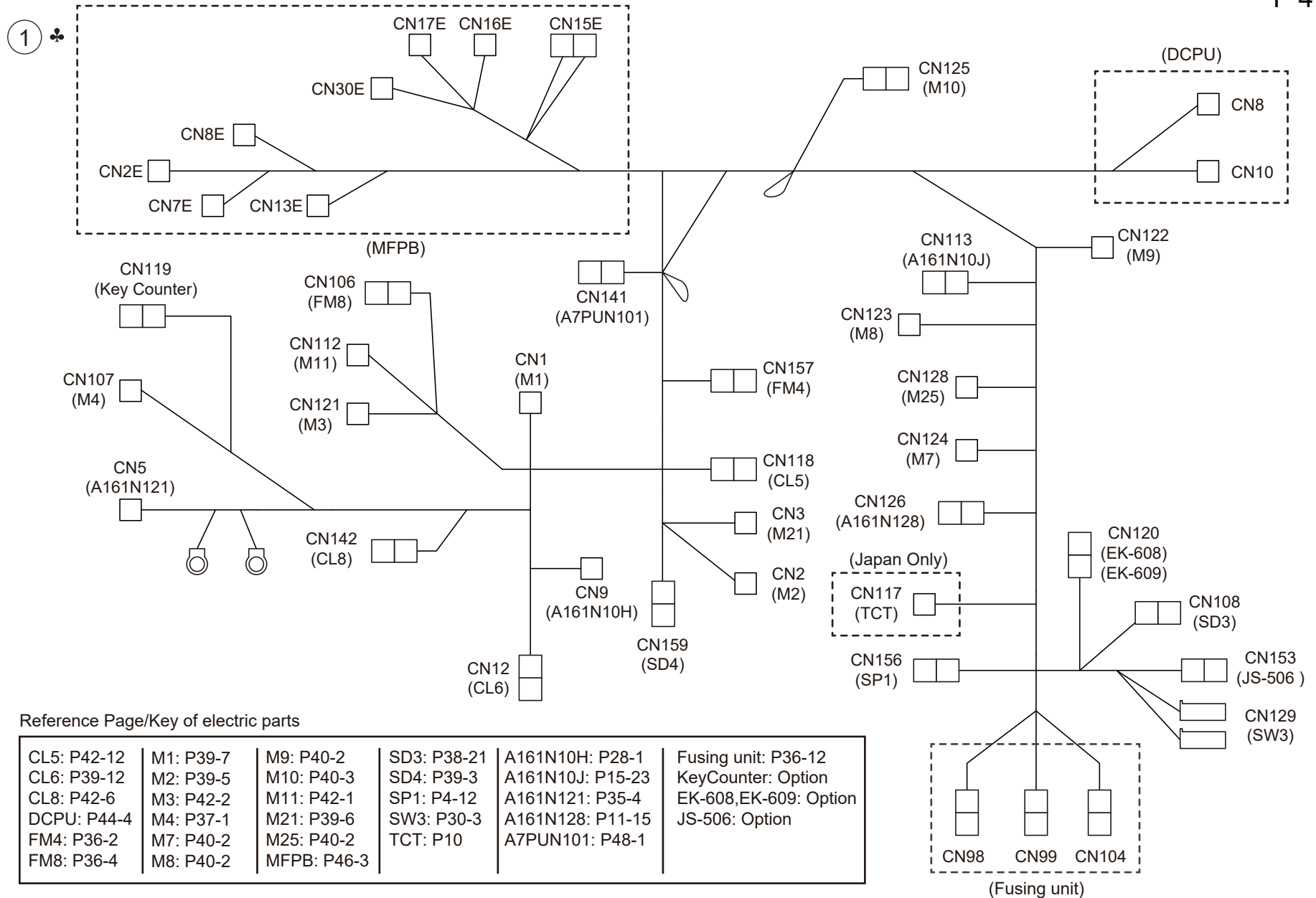
ELECTRICAL COMPONENTS

改訂版 REVISED EDITION	日付 DATE
	APRIL 2018




REAR SIDE

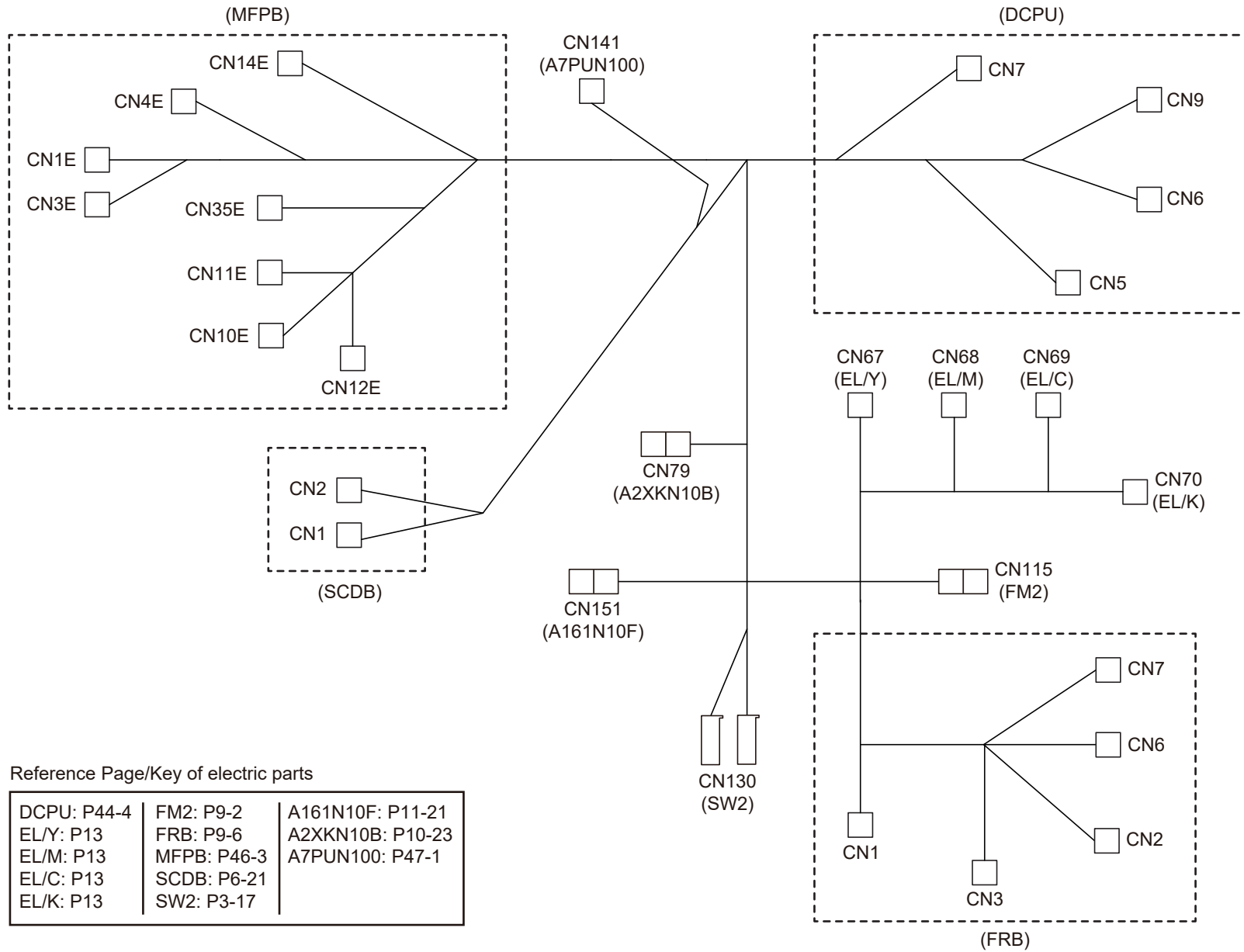
WIRING

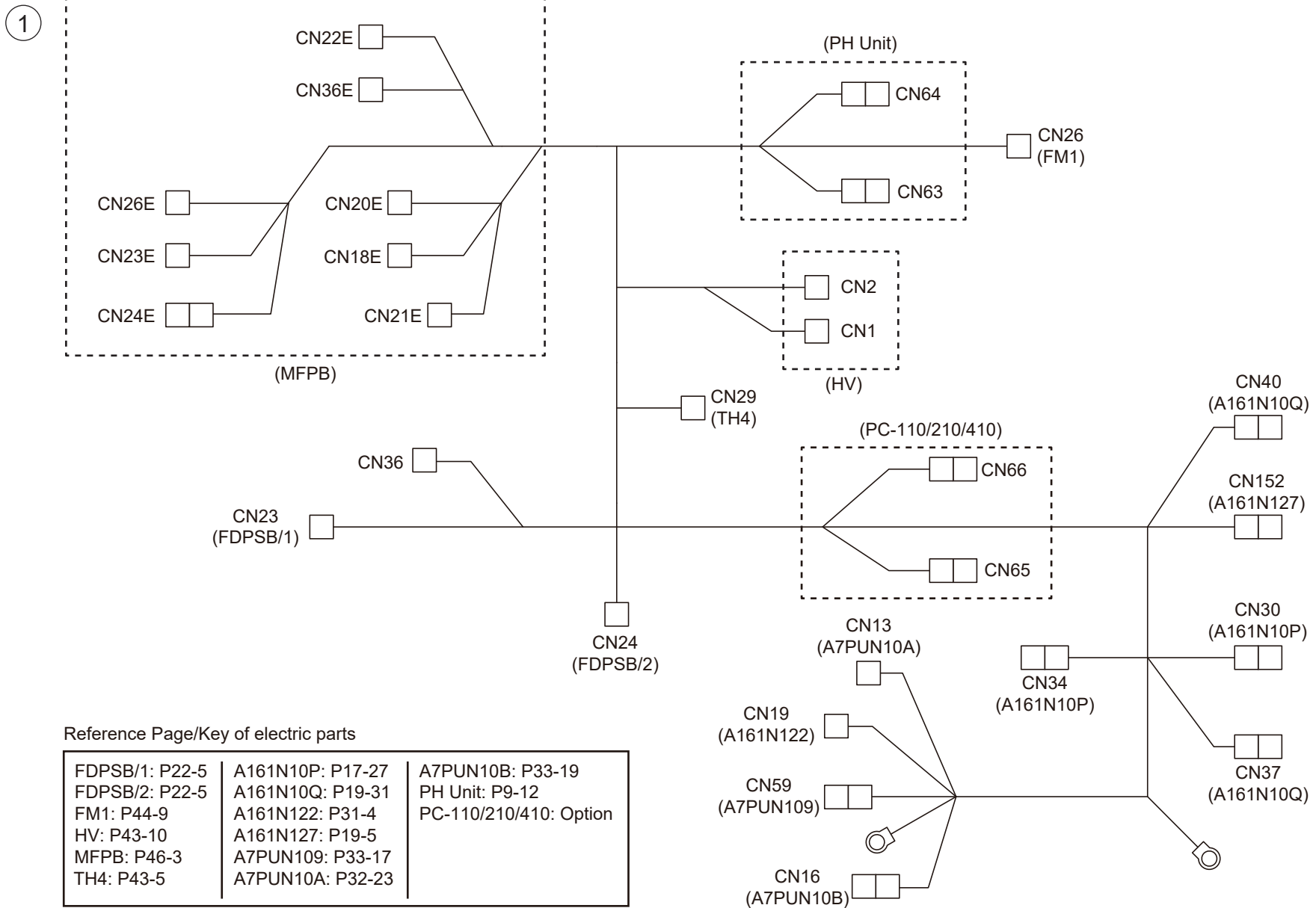


WIRING

Key	Part No.	Description	Destinations	Class	QTY	Standard parts
1	A7RON10001	Harness /Main body	A,A1	D	1	
1	A7RON11001	Harness /Main body	A,A1,H	D	1	

1





WIRING ACCESSORIES AND JIGS

<p>1</p> <p>White</p>	<p>6</p> <p>White</p>	<p>11</p>	<p>16</p>	<p>21 ♣</p>	26	31	36
<p>2</p>	<p>7</p>	<p>12</p>	<p>17</p>	22	27	32	37
<p>3</p>	<p>8</p> <p>White</p>	<p>13</p>	<p>18</p>	23	28	33	38
<p>4</p>	<p>9</p>	<p>14</p>	<p>19</p>	24	29	34	39
<p>5</p>	<p>10</p>	<p>15</p>	<p>20</p>	25	30	35	40

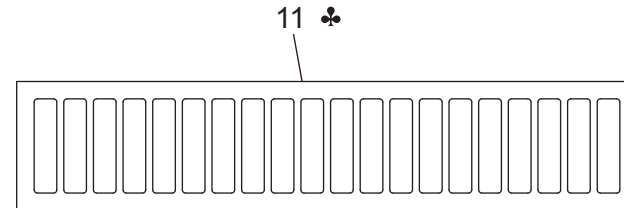
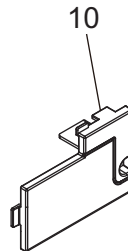
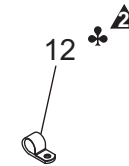
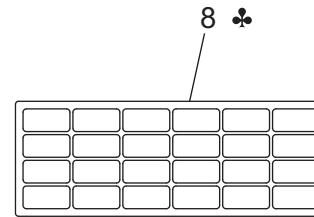
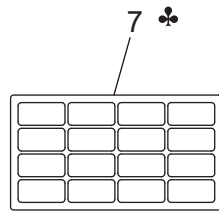
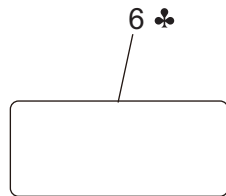
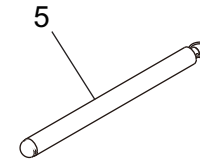
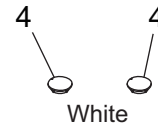
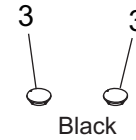
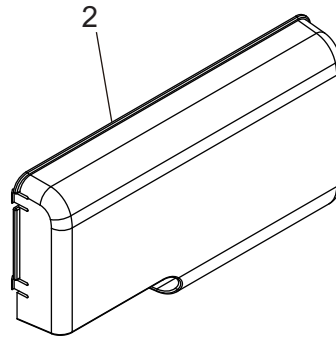
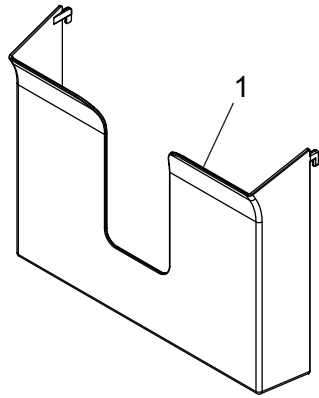
WIRING ACCESSORIES AND JIGS

Key	Part No.	Description	Destinations	Class	QTY	Standard parts
1	V500010081	Locking Wire Saddle		D		
2	V500010082	Locking Wire Saddle		D		
3	V500010083	Locking Wire Saddle		D		
4	V500010084	Locking Wire Saddle		D		
5	V500020098	Mini Locking wire saddle		D		
6	V500020099	Mini Locking wire saddle		D		
7	V500010052	SADDLE		D		
8	V500020100	Mini Locking wire saddle		D		
9	V500020052	bushing		D	1	
10	V500020082	Clamping for FFC		D		
11	V570010021	Saddle		D		
12	V570010057	Wing Edge Saddle		D		
13	V570010059	Wing Edge Saddle		D		
14	V570010060	Wing Edge Saddle		D		
15	V500020069	Clamp		D		
16	V570010050	Locking Edge Saddle		D		
17	V500020110	FG Clamp		D		
18	V500020101	Reuse spacing clamp		V		
19	V500010085	Locking Wire Saddle		D		
20	A79JPJG000	Jig		S	1	
21	V500020073	bushing	H	D		

ACCESSORY PARTS

P 51

改訂版 REVISED EDITION	日付 DATE
	APRIL 2018



MAINTENANCE LIST

● The items with no Page/Key numbers are not handled as spare parts.

No.	Section	PM Parts Description	Maintenance Cycle (K=1,000)		Parts No.	Destinations	Page/Key	Note
			QTY	Replace				
1	Paper feed section	Tray 1 pick-up roller	1	300k	A5C1562200		P17-30	*2, *4
2		Tray 1 feed roller	1	300k	A00J563600		P17-14	*2, *4
3		Tray 1 separation roller	1	300k	A00J563600		P18-6	*2, *4
4		Tray 2 pick-up roller	1	300k	A5C1562200		P19-34	*2, *4
5		Tray 2 feed roller	1	300k	A00J563600		P19-18	*2, *4
6		Tray 2 separation roller	1	300k	A00J563600		P20-6	*2, *4
7		Manual bypass tray feed roller	1	200k	A00F623201		P31-10	*2, *4
8		Manual bypass tray separation roller assy	1	200k	4658015106		P32-26	*2, *4
9	Processing section	Toner cartridge/Y,M,C *1	1	26k	-			
10		Toner cartridge/K *1	1	28k	-			
11		Drum unit/Y,M,C *1	1	55k	-			*3
12		Drum unit/K *1	1	90k	-			*3
13		Developing unit/Y,M,C,K	1	600k	-			*3
14		Waste toner box *1	1	30k	A4NN0Y1	A,A1	P12-9	*5
15			1	30k	A4NN0Y1	B,G2	P12-9	*5
16		1	30k	A4NNWY3	H	P12-9	*5	
17	Image transfer section	Transfer belt unit	1	300k	A161R73300		P15-1	*3
18		Transfer roller unit	1	300k	A161R71433		P28-23	*3, *4
19	Fusing section	Fusing unit 100V	1	600k	A161R71788	A,A1	P36-12	*3
20		Fusing unit 120V	1	600k	A161R71888	B,G2	P36-12	*3
21		Fusing unit 110V	1	600k	A161R73244	H	P36-12	*3

*1: The parts can be replaced either by user or service engineer.

*2: Actual durable cycle (life counter value)

*3: Field standard yield

*4: Replace those three parts at the same time.

*5: A waste toner full condition is detected with detecting the actual waste toner emissions.

メンテナンスリスト

● ページ / キーナンバーのないものは、アフターサービス部品ではありません。

No.	区分	PM 部品名称	サイクル (K=1,000)		部品番号	仕向地	頁 / キー	備考
			員数	交換				
1	給紙部	トレイ1ピックアップローラー	1	300k	A5C1562200		P17-30	*2, *4
2		トレイ1給紙ローラー	1	300k	A00J563600		P17-14	*2, *4
3		トレイ1分離ローラー	1	300k	A00J563600		P18-6	*2, *4
4		トレイ2ピックアップローラー	1	300k	A5C1562200		P19-34	*2, *4
5		トレイ2給紙ローラー	1	300k	A00J563600		P19-18	*2, *4
6		トレイ2分離ローラー	1	300k	A00J563600		P20-6	*2, *4
7		手差しトレイ給紙ローラー	1	200k	A00F623201		P31-10	*2, *4
8		手差しトレイ分離ローラー Assy	1	200k	4658015106		P32-26	*2, *4
9	プロセス部	トナーカートリッジ /Y,M,C *1	1	26k	-			
10		トナーカートリッジ /K *1	1	28k	-			
11		ドラムユニット /Y,M,C *1	1	55k	-			*3
12		ドラムユニット /K *1	1	90k	-			*3
13		現像ユニット /Y,M,C,K	1	600k	-			*3
14		廃棄トナーボックス *1	1	30k	A4NN0Y1	A,A1	P12-9	*5
15			1	30k	A4NN0Y1	B,G2	P12-9	*5
16		1	30k	A4NNWY3	H	P12-9	*5	
17	転写部	転写ベルトユニット	1	300k	A161R73300		P15-1	*3
18		転写ローラーユニット	1	300k	A161R71433		P28-23	*3, *4
19	定着部	定着ユニット 100V	1	600k	A161R71788	A,A1	P36-12	*3
20		定着ユニット 120V	1	600k	A161R71888	B,G2	P36-12	*3
21		定着ユニット 110V	1	600k	A161R73244	H	P36-12	*3

*1: ユーザー / サービス交換の選択が可能。

*2: ライフカウンター値

*3: 市場標準印刷枚数値

*4: 同時交換のこと

*5: 廃棄トナーフル検知は、実際の廃棄トナー充填量を検知して行う。

DESTINATION

Destination No.		Destinations		V	Hz	Model No.
A	A1	JAPAN		100	50/60	A7R0001/ 007
	A2	JAPAN		200	50/60	
B		USA, CANADA		120	60	A7R0011/ 012/017
C		EUROPEAN TYPE		220-240	50/60	
D	D1	S.E ASIA TYPE	THAILAND, SRI LANKA, SINGAPORE, MALAYSIA, HONG KONG, PAKISTAN, INDIA, BANGLADESH, INDONESIA	220-240	50/60	
	D3	OCEANIA TYPE	AUSTRALIA, NEW ZEALAND	220-240	50/60	
E		PHILIPPINES		220-240	50/60	
F	F1	SAUDI ARABIA		127	60	
	F2	SAUDI ARABIA		220-240	50/60	
G	G1	C.S AMERICA		220-240	50/60	
	G2	C.S AMERICA		120	60	A7R0011/ 017
H		TAIWAN		110	60	A7R0077
I		JORDAN, LEBANON, SYRIA, SOUTH AFRICA, IRAQ, IRAN, N.YEMEN, CAMEROON, UAE, BAHRAIN, OMAN, QATAR, KUWAIT, KENYA, TUNISIA, IVORY COAST, MOROCCO		220-240	50/60	
J		CHINA		220-240	50/60	
K		KOREA		220-240	50/60	