

KONICA MINOLTA

# *PARTS GUIDE MANUAL*

---

*MAY 2015*

*bizhub C3100P*  
*A6DR*

## INFORMATION FOR PARTS GUIDE MANUAL

To find correct Parts No., refer to the "HOW TO MAKE THE BEST USE OF THIS MANUAL" in the following page.

### HOW TO MAKE THE BEST USE OF THIS MANUAL

- 1 When you order, please check the proper figures beforehand that are on Our Parts Guide Manual, and order with the appropriate figures.
- 2 For screws, Nuts, Washers, retaining rings and Pins which are used in this model, one letter is shown on the Standard parts column of Parts list and exploded diagrams.
- 3 In order to maintain safety of the product, some specific parts composed of this product are set up as "essential safety parts".
- 4 The assigned parts number for the "essential safety parts" is indicated as "SP00-\*\*\*\*".  
When replacing these parts, follow precautions for disassembling and installing which are listed in the Service Manual.  
Do not use any parts that are not set up as
- 5 ♣ means that there are exclusive parts for each destination.  
Please check the appropriate destination when you order.
- 6 Revision Mark  
Marked as ▲ on the illustration shows that the revision has been made.
- 7 All rights reserved. (any reprints or quotations are prohibited.)  
Use of this parts guide manual should be strictly supervised to avoid disclosure of confidential information.

## パーツガイドマニュアルのご案内

サービス部品をご発注の際には、下記に示す“パーツガイドマニュアルの活用にあたって”をご参照の上、正しい部品番号にてお願い致します。

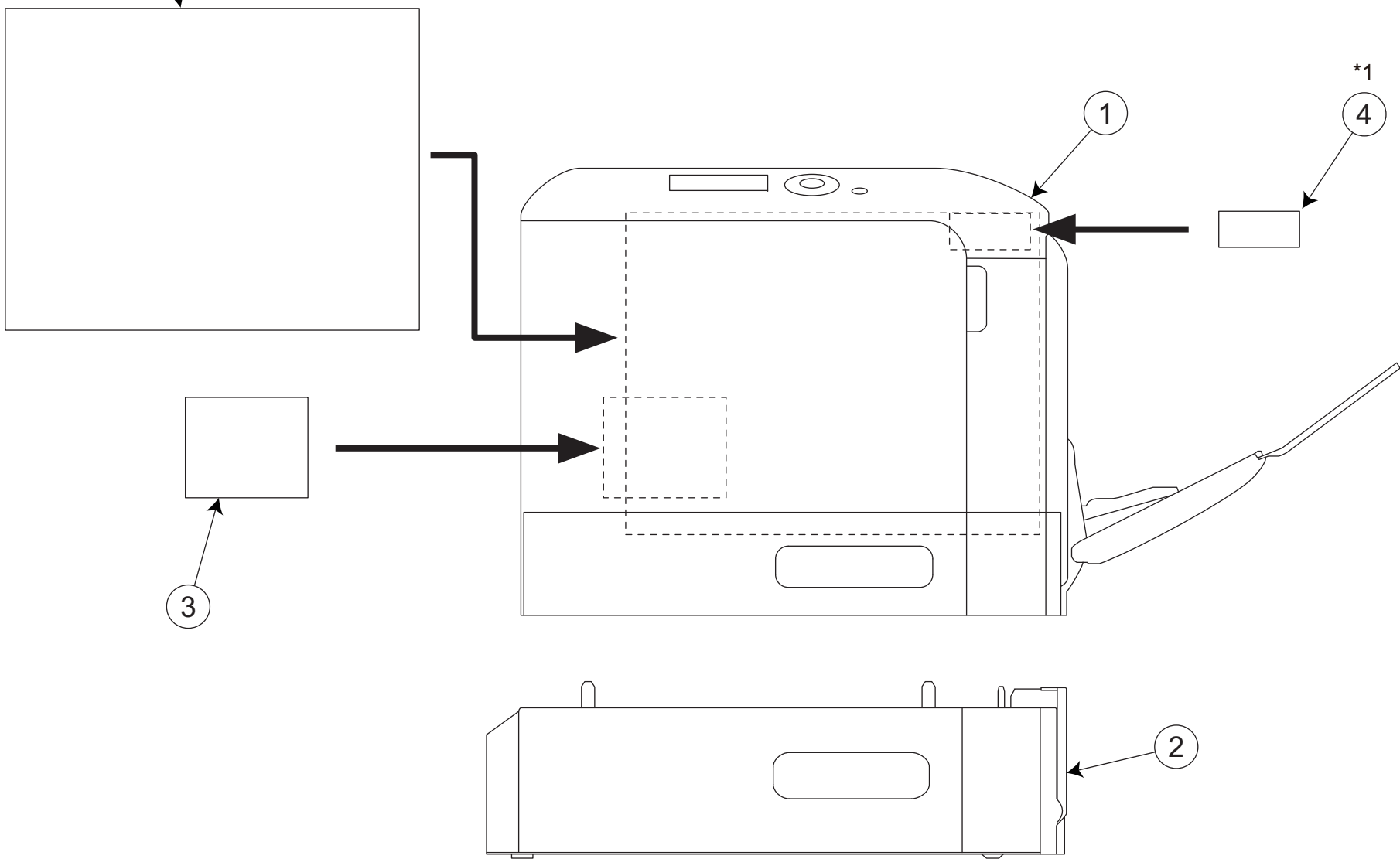
### パーツガイドマニュアルの活用にあたって

- 1 部品発注の際には、掲載されている部品番号の桁数を確認し、掲載されている桁数で発注願います。
- 2 この製品に使用されているネジ、ナット、ワッシャー、止め輪、ピンなどは、リストの右側の Standard parts 欄に a,b,c,…… で表示し、イラストにも a,b,c,…… 表示してあります。
- 3 製品の安全性を維持する為に、製品に使用される特定の部品を「重要保安部品」として設定しています。
- 4 重要保安部品の部品番号は、“SP00-\*\*\*\*”と記載されていますので、部品交換時は、サービスマニュアル記載の分解・組み立ての注意事項に従って作業をして下さい。  
また、指定以外の部品は一切使用しないで下さい。
- 5 本文に ♣ が表示されている部品は、仕向け地毎に専用部品がある事を意味しています。  
オーダーされる時は、仕向け地を確認して下さい。
- 6 改訂記号について  
イラスト上に ▲ 印が表示されている部分は、改訂された事を表します。
- 7 著作権所有（無断転載及び無断引用の禁止）  
本パーツガイドマニュアルについては、機密保持等その扱いには十分注意して下さい。万一取り扱いを誤った場合には、法律で処罰されることがあります。

# SYSTEM OUTLINE

5 Europe (except Russia) only

\*1: WiFi Model Only



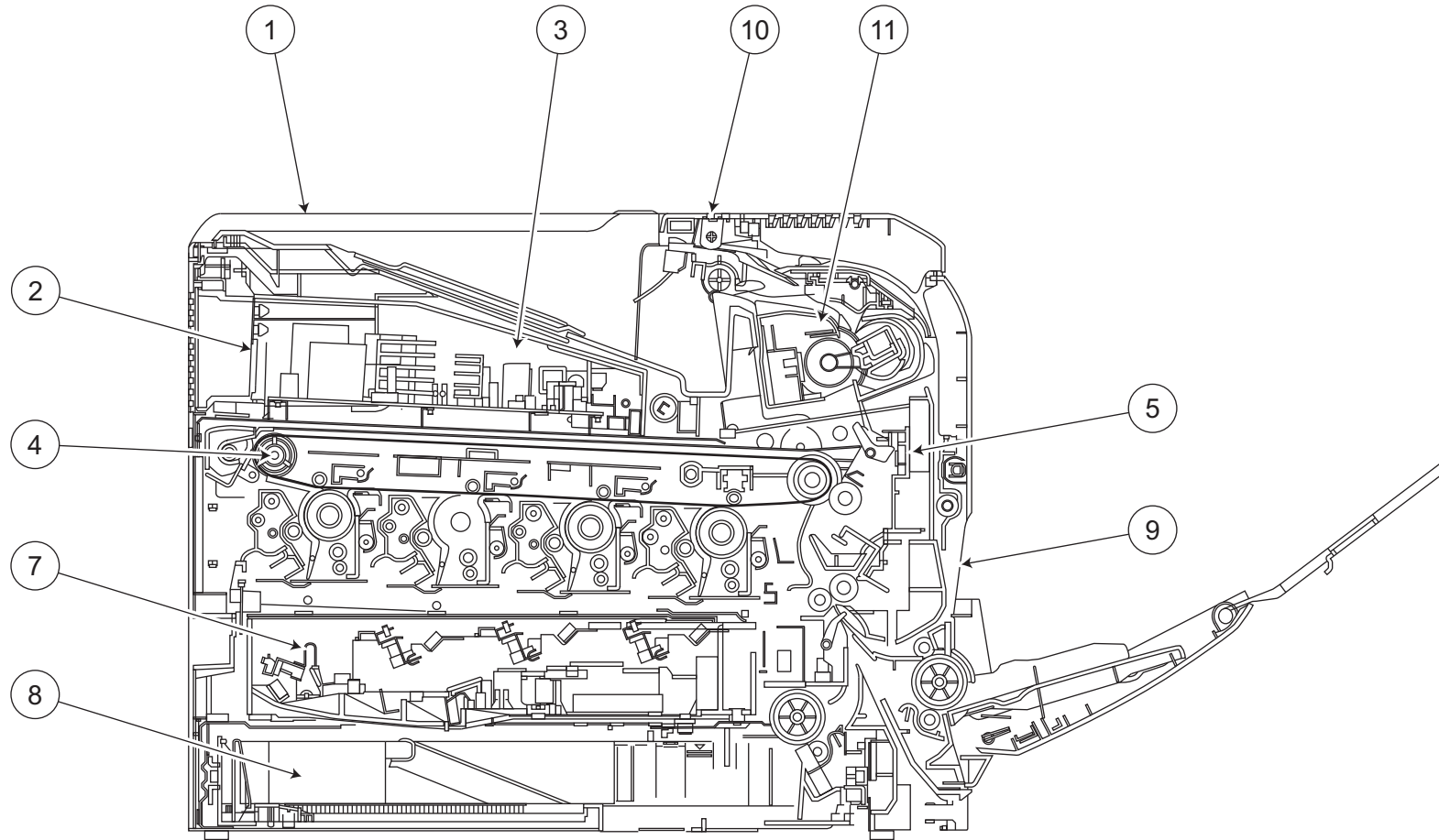
# GENERAL CONTENTS

<b>No.</b>	<b>Description</b>	<b>Model</b>
1	Printer Color	bizhub C3100P
2	Paper Feeder	PF-P14
3	HDD	HD-P06
4	Mount Kit	MK-P07
5	Other Option	CU-201

# DIAGRAM OF MAIN PARTS SECTION

REAR SIDE

- 6
- 12
- 13
- 14



# CONTENTS

No.	DESCRIPTION	名称	PAGE No.
1	EXTERNAL PARTS	外装部	P1
2	POWER SUPPLY SECTION	低圧電源部	P2
3	TONER BOTTLE DRIVE SECTION	トナーボトル駆動部	P3
4	TRANSFER BELT UNIT	転写ベルトユニット	P4
5	TRANSFER GUIDE SECTION	転写ガイド部	P5
6	HIGH VOLTAGE SECTION	高圧電源部	P6
7	PRINT HEAD SECTION	P / H 部	P7
8	CASSETTE SECTION	カセット部	P8
9	VERTICAL CONVEYANCE SECTION	縦搬送部	P9 P10 P11
10	DUP RIVERSE DRIVE SECTION	D U P 反転駆動部	P12
11	FUSING SECTION	定着部	P13
12	MAIN DRIVE SECTION	メイン駆動部	P14 P15 P16
13	PAPER FEED DRIVE SECTION	給紙駆動部	P17
14	ELECTRICAL COMPONENTS	電装部	P18
15	WIRING ACCESSORIES AND JIGS	配線部品・治具	P19

# INDEX

Parts No.	Page No.
0978381101	8-21
0996305501	7-5
1164306201	8-15
4002312303	17-8
4030303401	8-2
4030303401	9-9
4036301401	15-5
4120301901	9-28
4131302702	9-29
4131305601	8-7
4131305601	9-7
4131305702	8-8
4136N30000	18-5
4138259601	17-18
4138259701	17-19
4138303101	8-22
4138303202	8-3
4138303202	9-8
4138320501	9-30
4138323602	9-31
4138323701	9-32
4138324401	8-1
4138325201	9-18
4138325301	9-33
4138325501	9-3
4138352802	11-4
4138353202	11-6
4138731601	8-12
4138731601	9-16
4139M10000	2-1
4658015106	8-4
4658015106	9-12
9313130051	12-1
9335140051	7-16
9381420021	18-5
9381430031	18-5
9J06M60100	2-10
A00F213900	15-2
A00F565101	9-20
A00F942000	1-9

Parts No.	Page No.
A011946200	1-19
A011M20000	11-18
A011M20000	15-4
A02EM20000	17-2
A034213400	11-24
A034220100	11-23
A034563800	11-12
A034M20000	11-25
A034M60200	18-7
A034N30300	18-5
A0EDM60001	3-13
A0VD107401	7-18
A0VD107500	7-20
A0VD108703	7-14
A0VD108902	8-13
A0VD109001	7-21
A0VD109400	7-17
A0VD110104	4-6
A0VD110205	4-18
A0VD110400	4-8
A0VD110500	4-4
A0VD111203	4-11
A0VD111302	7-4
A0VD111402	4-13
A0VD111502	4-19
A0VD111600	4-2
A0VD111700	4-1
A0VD112000	4-10
A0VD114101	4-3
A0VD115100	4-20
A0VD115200	4-22
A0VD115301	4-21
A0VD117500	3-11
A0VD134500	6-5
A0VD135201	2-8
A0VD135317	2-7
A0VD135402	2-9
A0VD135512	2-5
A0VD136100	18-3
A0VD136701	7-15

Parts No.	Page No.
A0VD136800	4-7
A0VD139401	6-3
A0VD139500	6-4
A0VD139700	2-17
A0VD160100	1-2
A0VD161100	10-12
A0VD161201	1-3
A0VD161600	10-7
A0VD161802	1-4
A0VD162000	1-5
A0VD162101	10-2
A0VD162300	9-14
A0VD162400	10-13
A0VD163200	10-14
A0VD163400	10-6
A0VD163500	10-15
A0VD163600	10-5
A0VD163901	10-11
A0VD164000	10-10
A0VD164400	13-15
A0VD164500	13-14
A0VD165404	1-12
A0VD165501	1-8
A0VD166303	13-1
A0VD166401	1-18
A0VD168200	9-19
A0VD211303	14-6
A0VD214700	4-23
A0VD218301	15-6
A0VD219800	14-5
A0VD220201	14-4
A0VD220300	14-3
A0VD230101	17-11
A0VD230301	17-12
A0VD230400	17-13
A0VD230501	17-14
A0VD230800	17-15
A0VD230901	17-4
A0VD231101	17-16
A0VD231200	17-3

Parts No.	Page No.
A0VD233102	17-17
A0VD233301	17-5
A0VD235101	7-13
A0VD235301	11-3
A0VD235400	7-7
A0VD235500	7-10
A0VD235600	7-8
A0VD235700	7-6
A0VD235900	7-9
A0VD236400	3-1
A0VD236500	3-5
A0VD236601	3-2
A0VD236902	3-3
A0VD237400	3-8
A0VD237800	3-9
A0VD248501	15-3
A0VD362201	4-15
A0VD362300	4-14
A0VD362400	4-16
A0VD362500	4-17
A0VD362602	7-12
A0VD362702	7-11
A0VD363700	4-24
A0VD491000	3-14
A0VD491100	3-15
A0VD491200	3-16
A0VD491300	3-17
A0VD560202	9-17
A0VD560402	9-21
A0VD560601	9-22
A0VD560802	9-23
A0VD560900	9-24
A0VD561301	9-5
A0VD561502	9-25
A0VD561700	9-2
A0VD561800	9-6
A0VD563101	9-26
A0VD563201	9-27
A0VD621100	8-5
A0VD621100	9-13

Parts No.	Page No.
A0VD622102	8-14
A0VD623101	8-9
A0VD623200	8-10
A0VD624100	17-7
A0VD624800	8-6
A0VD624800	9-10
A0VD700202	10-8
A0VD700302	10-9
A0VD701300	10-16
A0VD701701	10-3
A0VD702300	11-5
A0VD702400	11-21
A0VD702501	11-7
A0VD702700	10-17
A0VD702902	11-9
A0VD703001	11-15
A0VD703501	11-19
A0VD703700	11-16
A0VD704300	11-13
A0VD704400	11-11
A0VD704700	11-10
A0VD704900	11-20
A0VD705101	11-14
A0VD705200	11-22
A0VD705303	11-17
A0VD706102	5-7
A0VD706203	5-6
A0VD706300	5-2
A0VD706400	5-1
A0VD706500	5-4
A0VD707201	5-11
A0VD707503	5-14
A0VD814000	12-23
A0VD814100	12-24
A0VD820103	12-10
A0VD820200	12-9
A0VD820300	12-25
A0VD820403	12-19
A0VD820501	12-20
A0VD820700	12-26

Parts No.	Page No.
A0VD820800	12-16
A0VD820900	12-21
A0VD821100	12-18
A0VD822300	12-27
A0VD822400	12-7
A0VD822500	12-28
A0VD822600	12-29
A0VD822700	12-3
A0VD822800	12-2
A0VD823300	12-30
A0VD825600	12-11
A0VD890102	13-7
A0VD890200	13-9
A0VD890800	12-14
A0VD891401	12-12
A0VD892400	13-5
A0VD894101	12-15
A0VD901401	13-11
A0VD908101	13-6
A0VD908300	13-2
A0VD941700	1-10
A0VD941801	1-13
A0VD949100	13-4
A0VDM20000	3-7
A0VDM20000	12-8
A0VDM40402	6-1
A0VDM50000	5-3
A0VDM50100	5-9
A0VDM50200	2-11
A0VDN30000	18-5
A0VDN30100	18-5
A0VDN30200	18-5
A0VDR71300	9-4
A0VDR71600	9-1
A0VDR71722	11-1
A0VDR71800	12-17
A0VDR72533	8-11
A108M50100	2-6
A108M50100	3-4
A108M50100	5-13

Parts No.	Page No.
A108M50100	9-11
A108M50100	10-1
A108M50100	11-2
A108M50100	17-6
A108R90000	2-18
A121102600	2-16
A121104101	2-4
A148002	13-12
A148010	13-12
A148022	13-12
A1480Y1	4-5
A1480Y2	10-4
A1AU0Y1	7-19
A1AU0Y3	7-19
A1UD947400	1-21
A1UDN30200	18-5
A2UPN30100	18-5
A2UPN30300	18-5
A2UPN30501	18-5
A2UPN30700	18-5
A2YF138501	2-19
A2YF139000	2-20
A2YFM10000	14-1
A2YFM10200	15-1
A2YFM10200	16-1
A3GN217000	17-10
A3GN702100	11-8
A3GN823500	12-4
A3GN890302	13-8
A3GN948300	13-3
A5AY943100	2-22
A6DR102200	2-2
A6DR103001	2-15
A6DR130100	2-14
A6DR131501	18-10
A6DR132401	18-17
A6DR132800	18-1
A6DR132901	18-9
A6DR133402	18-15
A6DR133600	18-6

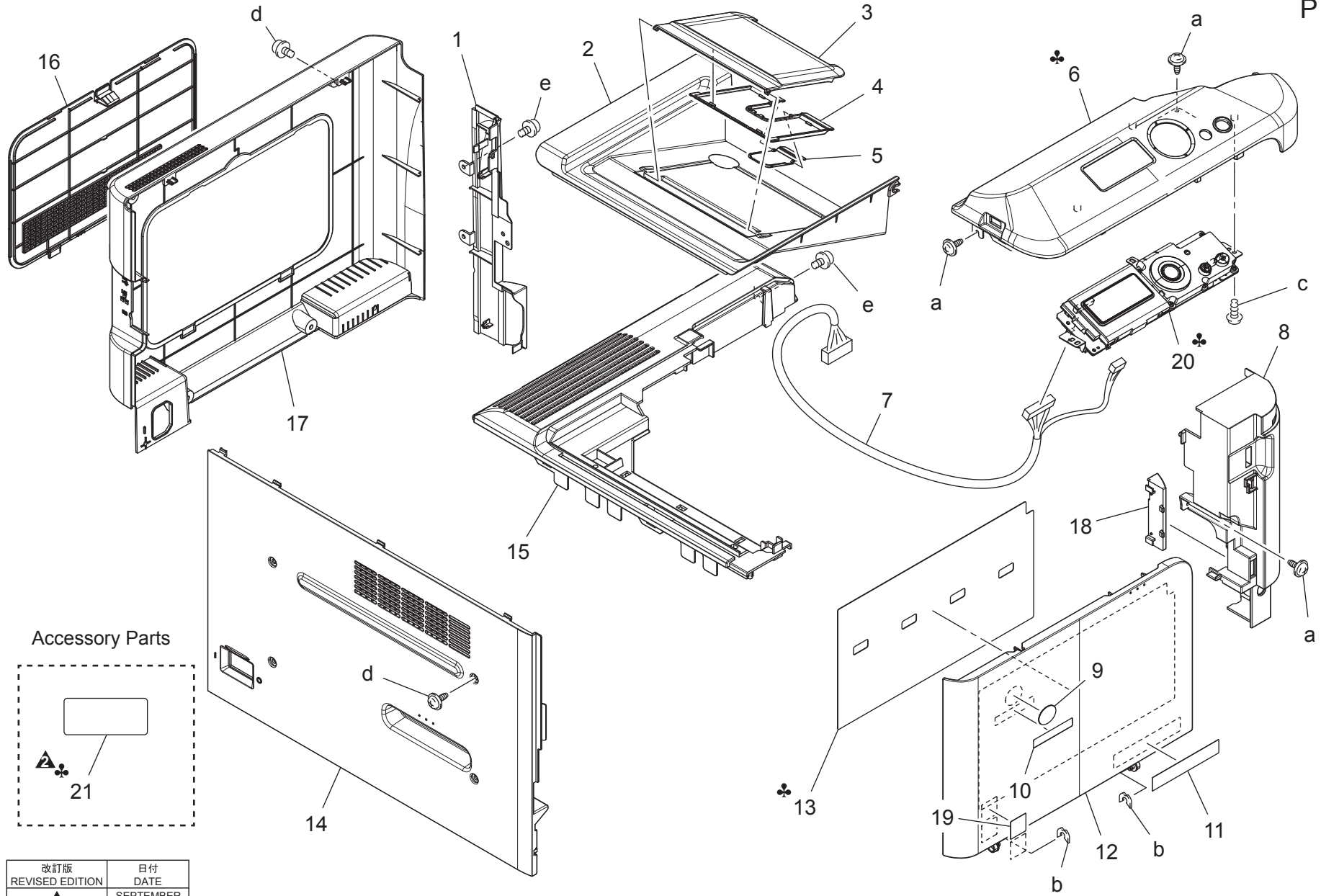
Parts No.	Page No.
A6DR133901	18-12
A6DR134100	4-9
A6DR134401	6-6
A6DR160200	1-14
A6DR160300	1-1
A6DR160601	1-6
A6DR160700	1-15
A6DR160800	1-6
A6DR160903	1-16
A6DR161000	1-6
A6DR161700	3-12
A6DR163001	1-17
A6DR626500	8-16
A6DR626700	8-17
A6DR626900	8-18
A6DR627000	8-19
A6DR702600	10-18
A6DR819900	12-22
A6DR890500	12-13
A6DR891000	12-13
A6DR892300	13-10
A6DR895500	12-13
A6DR941500	1-11
A6DR947100	8-20
A6DRH0010A	18-16
A6DRH01006	18-11
A6DRM40001	2-13
A6DRM40101	2-13
A6DRM71001	1-20
A6DRM71100	1-20
A6DRM71200	1-20
A6DRN10001	18-8
A6DRN10100	2-12
A6DRN10200	2-3
A6DRN10500	14-2
A6DRN10A00	4-12
A6DRN10C00	5-8
A6DRN10D00	5-5
A6DRN10E00	17-9
A6DRN10F00	18-2

Parts No.	Page No.
A6DRN10H00	13-13
A6DRN10K00	12-5
A6DRN10N00	7-2
A6DRN10P01	7-1
A6DRN10R00	12-6
A6DRN10S00	18-13
A6DRN10T00	18-14
A6DRN10X00	18-4
A6DRN11100	6-2
A6DRN12000	1-7
A6DRN12100	3-10
A6DRR70000	17-1
A6DRR70100	3-6
A6DRR70200	9-15
A6DRR70400	18-18
A6DRR70500	18-18
A6DRR71500	8-11
A6DT707100	5-12
A6DT707300	5-10
A6DT942000	1-13
A6DTR70200	5-15
A73JR70011	7-3
V500010081	19-1
V500010082	19-2
V500010083	19-3
V500010084	19-4
V500020098	19-5
V500020100	19-6
V501010001	19-7
V501010018	19-8
V502010021	2-21
V800400032	10-19

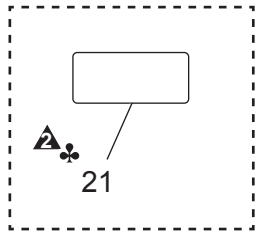


# EXTERNAL PARTS

P 1



## Accessory Parts



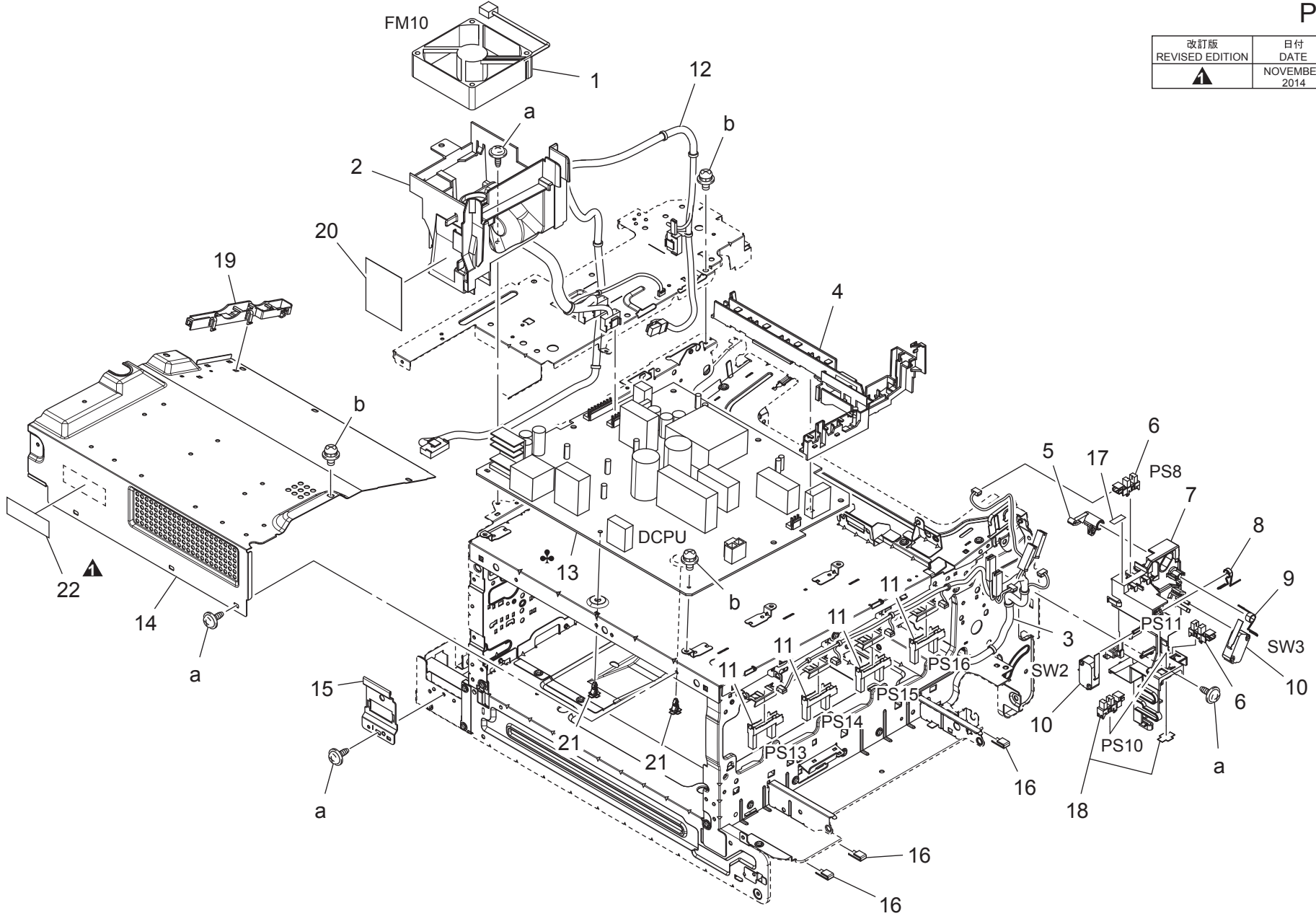
改訂版 REVISED EDITION	日付 DATE
	SEPTEMBER 2014

EXTERNAL PARTS

Key	Part No.	Description	Destinations	Class	QTY	Standard parts
1	A6DR160300	Cover /Right rear		C	1	a-V137030803 b-V218040086 c-V149030803 d-V137030804 e-V116030804
2	A0VD160100	Cover /Upper		D	1	
3	A0VD161201	Tray		C	1	
4	A0VD161802	Tray		C	1	
5	A0VD162000	Tray		C	1	
6	A6DR160601	Cover /Upper	カバー／上	C	1	
6	A6DR160800	Cover /Upper	カバー／上	C	1	
6	A6DR161000	Cover /Upper	カバー／上 (パネル・中国語)	C	1	
7	A6DRN12000	Control harness	制御束線	D	1	
8	A0VD165501	Cover /Right front	カバー／右前	D	1	
9	A00F942000	Label Logo Mark	ロゴプレート	C	1	
10	A0VD941700	Label Logo Mark	ラベル LOGO MARK	C	1	
11	A6DR941500	Label bizhub C3100P	ラベル bizhub C3100P	C	1	
12	A0VD165404	Cover /Front	カバー／前 (BIZ)	C	1	
13	A0VD941801	Sheet	シート (I / C セット・PHDT)	C	1	
13	A6DT942000	Sheet	シート	A,A1	1	
14	A6DR160200	Cover /Left	カバー／左	C	1	
15	A6DR160700	Cover /Upper	カバー／上	C	1	
16	A6DR160903	Cover	カバー	C	1	
17	A6DR163001	Cover /Rear	カバー／後	C	1	
18	A0VD166401	Cover	カバー (扉支点・前)	D	1	
19	A011946200	Label Emperon	ラベル Emperon	D	1	
20	A6DRM71001	Panel assembly	操作パネル ASSY	B,C,D1,D3,E,F2,G1,G 2,H,I,K	1	
20	A6DRM71100	Panel assembly	操作パネル ASSY	A,A1	1	
20	A6DRM71200	Panel assembly	操作パネル ASSY (SFP / 中国)	J	1	
21	A1UD947400	Label	ラベル (国内省エネ)	A,A1	1	

# POWER SUPPLY SECTION

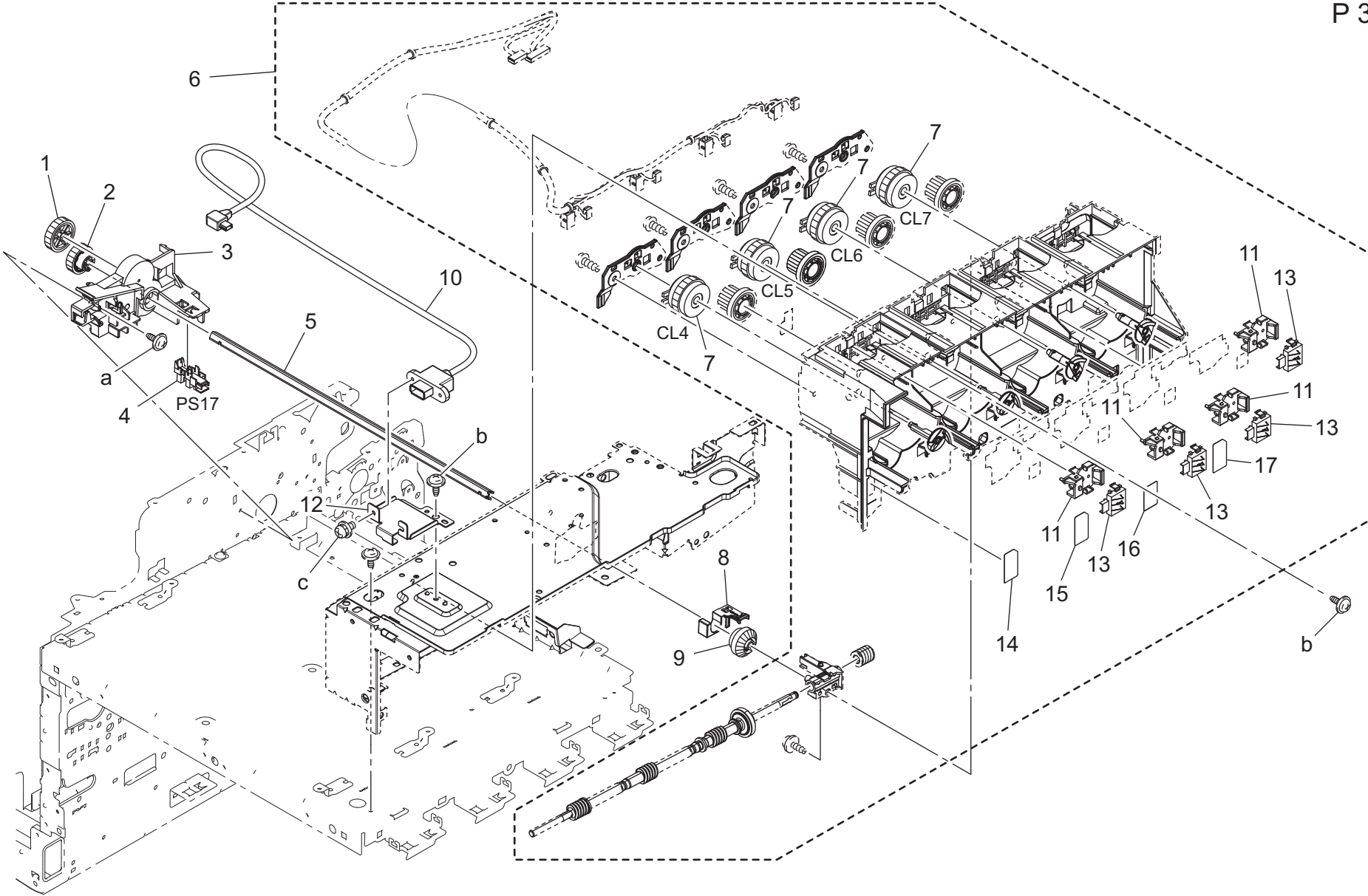
改訂版 REVISED EDITION	日付 DATE
▲	NOVEMBER 2014



POWER SUPPLY SECTION

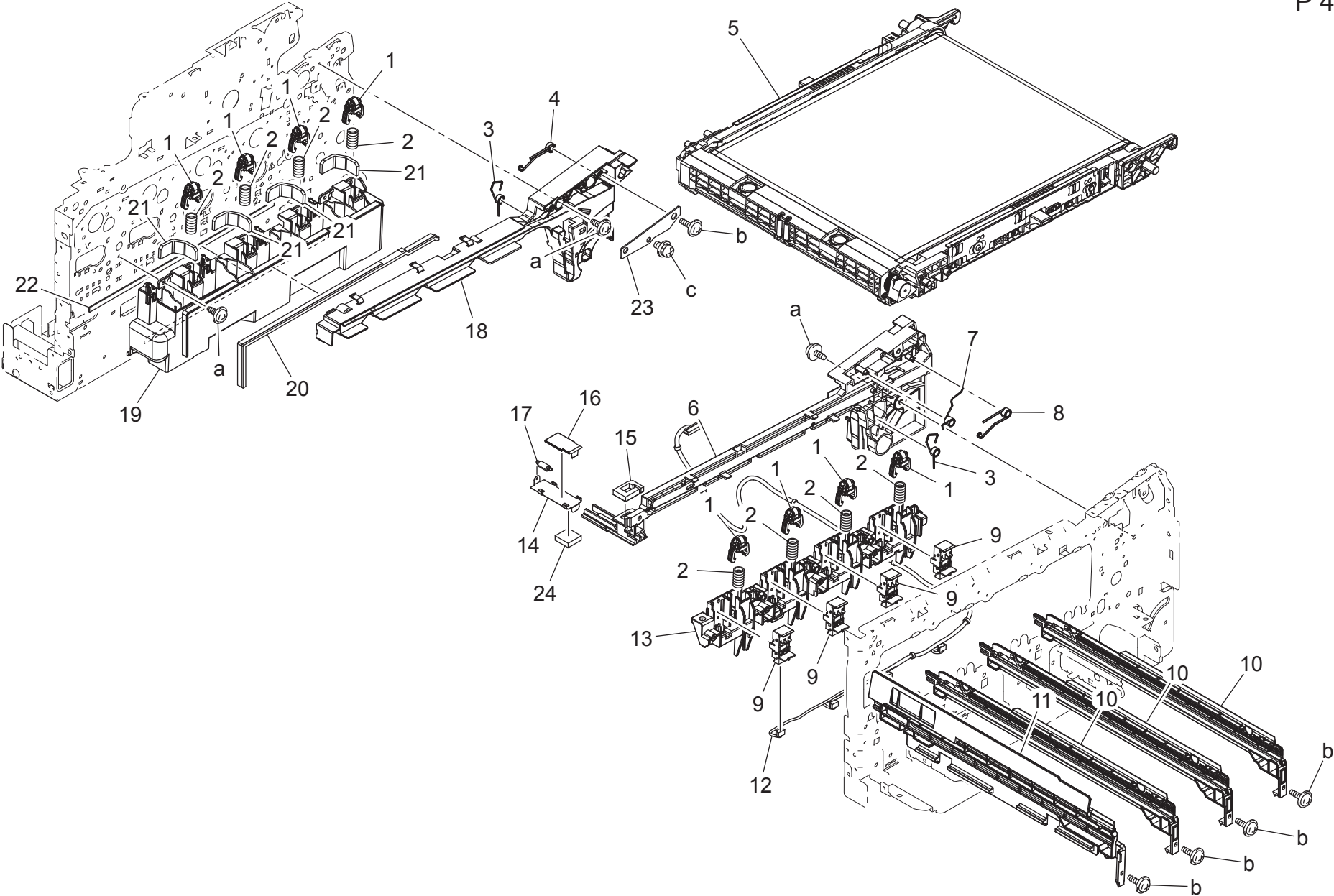
Key	Part No.	Description	Destinations	Class	QTY	Standard parts
1	4139M10000	FAN MOTOR		B	1	a-V137030603 b-V116030603
2	A6DR102200	Cooling Duct		D	1	
3	A6DRN10200	Toner Detection harness		D	1	
4	A121104101	Protection Cover		D	1	
5	A0VD135512	Detecting Part		C	1	
6	A108M50100	Photointerrupter		B	2	
7	A0VD135317	Hold Holder		D	1	
8	A0VD135201	Adjusting Spring		D	1	
9	A0VD135402	Torsion Coil spring		D	1	
10	9J06M60100	MICRO SWITCH		C	2	
11	A0VDM50200	Photointerrupter		I	4	A,A1,B,G2,H C,D1,D3,E,F2,G1,I,K ,J
12	A6DRN10100	DC Power source harness		D	1	
13	A6DRM40001	DC Power source (100-127V)		I	1	
13	A6DRM40101	DC Power source (220-240V)		I	1	
14	A6DR130100	Frame		D	1	
15	A6DR103001	Mounting Plate		D	1	
16	A121102600	Seal		D	3	
17	A0VD139700	Seal		D	1	
18	A108R90000	PHOTO INTERRUPTER		I	1	
19	A2YF138501	Wiring Guide /1		D	1	
20	A2YF139000	Sheet		C	1	B,G2,H
21	V502010021	spacer		D	2	
22	A5AY943100	Label		C	1	

# TONER BOTTLE DRIVE SECTION





TRANSFER BELT UNIT

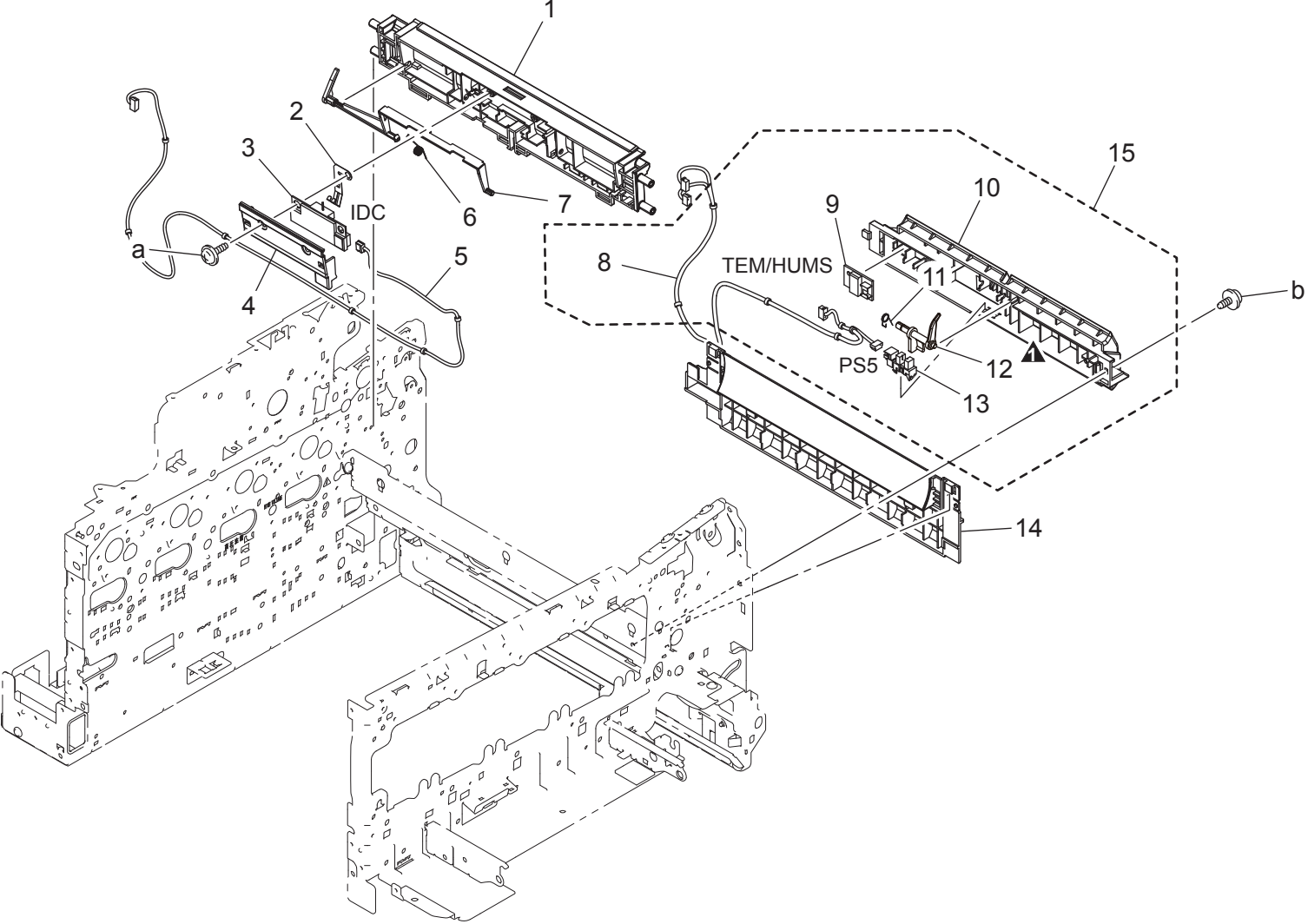






TRANSFER GUIDE SECTION

改訂版 REVISED EDITION	日付 DATE
▲	SEPTEMBER 2014

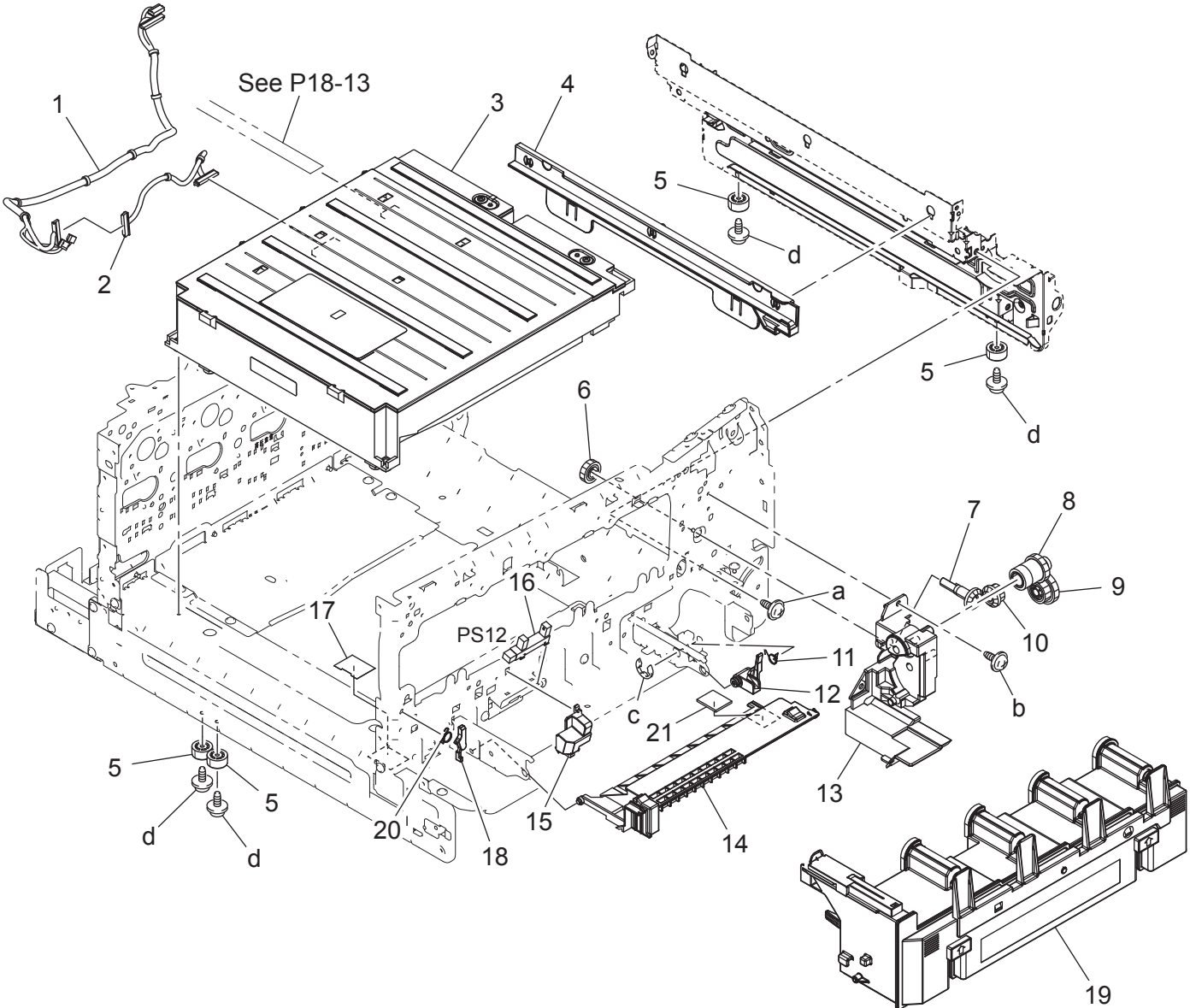








PRINT HEAD SECTION

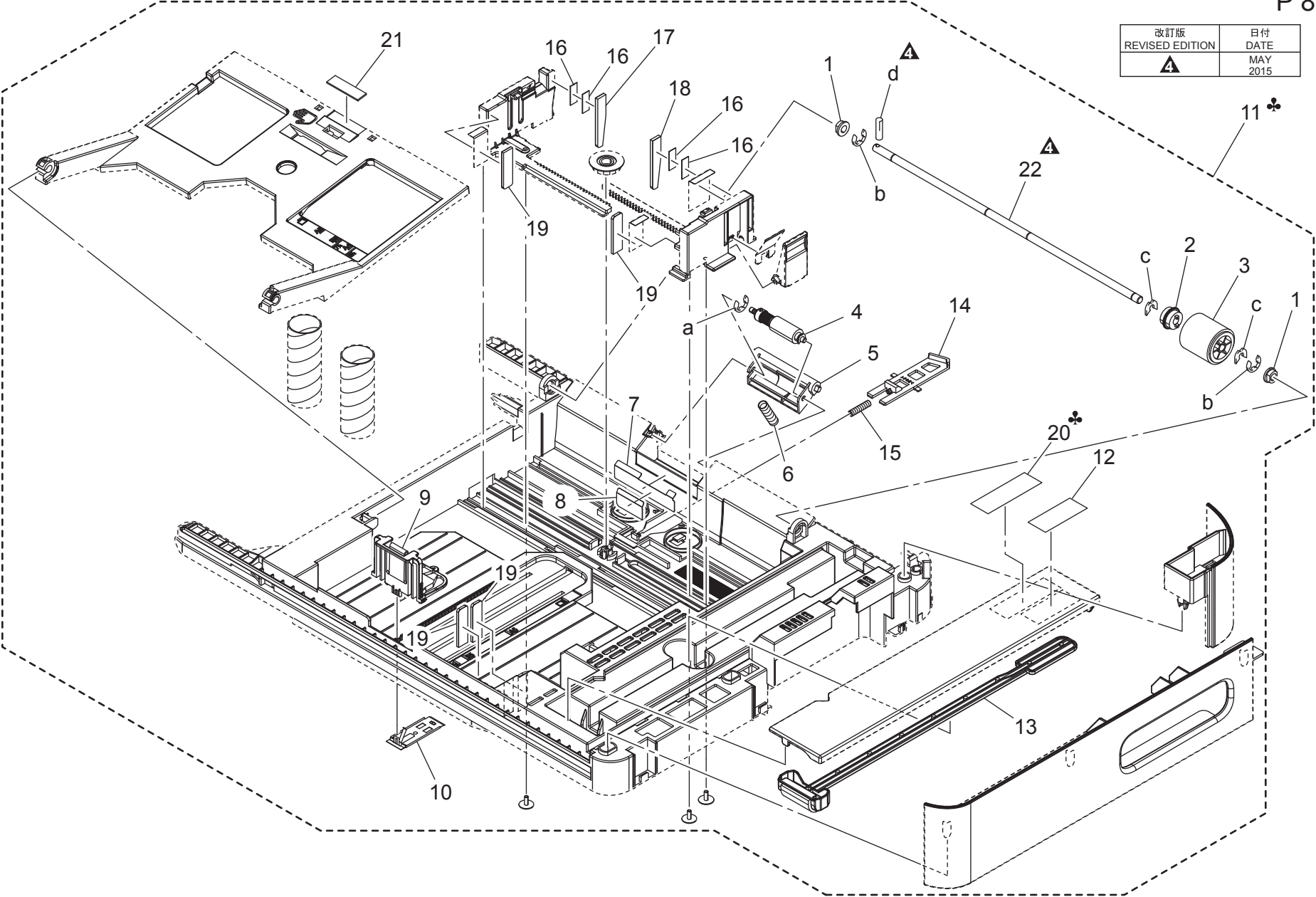


PRINT HEAD SECTION

Key	Part No.	Description	Destinations	Class	QTY	Standard parts
1	A6DRN10P01	LD Relay harness		D	1	a-V144030603 b-V144030803 c-V217060001 d-V116031003
2	A6DRN10N00	LD Wiring		D	1	
3	A73JR70011	Print Head Assy		I	1	
4	A0VD111302	Rail		D	1	
5	0996305501	RUBBER FOOT		C	4	
6	A0VD235700	Gear 16T		C	1	
7	A0VD235400	Gear 16T		D	1	
8	A0VD235600	Gear 16/26T		D	1	
9	A0VD235900	Gear 22/30T		D	1	
10	A0VD235500	Gear 16/16T		D	1	
11	A0VD362702	Torsion Coil spring		D	1	
12	A0VD362602	Lever		D	1	
13	A0VD235101	Drive Holder		D	1	
14	A0VD108703	Cover		D	1	
15	A0VD136701	Hold Holder		D	1	
16	9335140051	SOLID STATE SWITCH		B	1	
17	A0VD109400	Scatteringprevention Seal		D	1	
18	A0VD107401	Stopper		D	1	
19	A1AU0Y1	Waste Toner Bottle	A, A1, D1, D3, E, F 2, G1, G2, H, I, J, K	A	1	
19	A1AU0Y3	Waste Toner Bottle	B,C	A	1	
20	A0VD107500	Torsion Coil spring		D	1	
21	A0VD109001	Spacer		C	1	

# CASSETTE SECTION

改訂版 REVISED EDITION	日付 DATE
▲	MAY 2015



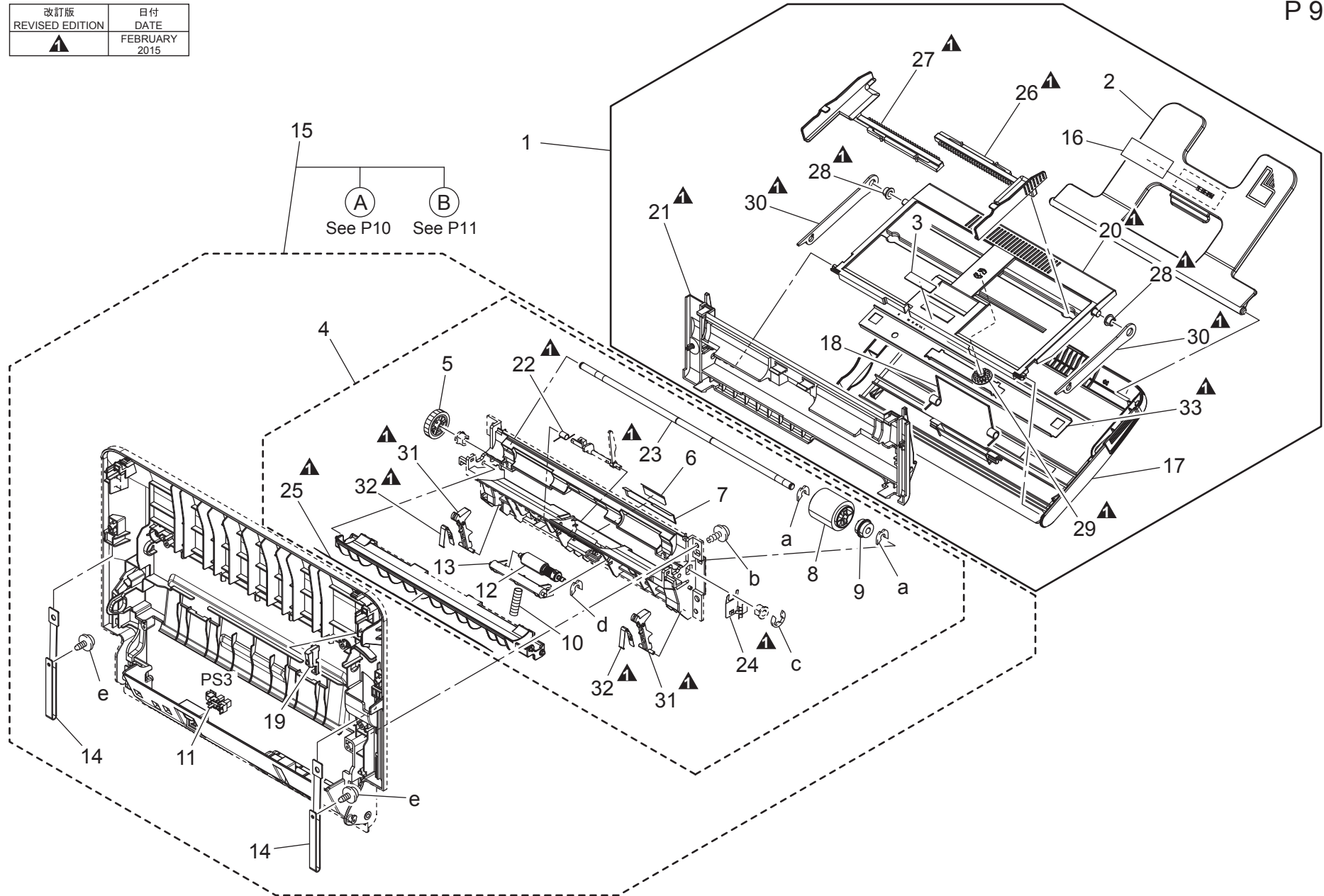
CASSETTE SECTION

Key	Part No.	Description	Destinations	Class	QTY	Standard parts
1	4138324401	BUSHING		C	2	a-V217030001 b-V217040001 c-V218040086 d-V232301850
2	4030303401	CLUTCH		C	1	
3	4138303202	ROLLER		B	1	
4	4658015106	Roller Assy		A	1	
5	A0VD621100	Holder		D	1	
6	A0VD624800	Compressing Coil spring		C	1	
7	4131305601	GUIDE PLATE		C	1	
8	4131305702	GUIDE		C	1	
9	A0VD623101	Regulating Plate		D	1	
10	A0VD623200	Mounting Plate		D	1	
11	A0VDR72533	Cassette Assy	カセット A S S Y	D	1	B, C, D1, D3, E, F2 , G1, G2, H, I, J, K A,A1
11	A6DRR71500	Cassette Assy	カセット A S S Y (国内)	D	1	
12	4138731601	Label Prohibition inkjet media	ラベル	D	1	
13	A0VD108902	Cleaning Part	クリーニング部材	C	1	
14	A0VD622102	Lock Lever	ロックレバー	D	1	
15	1164306201	PRESSURE SPRING	圧縮コイルばね	C	1	
16	A6DR626500	Spacer	スペーサ	D	4	
17	A6DR626700	Cushion	クッション	C	1	
18	A6DR626900	Cushion	クッション	C	1	
19	A6DR627000	Cushion	クッション	C	4	
20	A6DR947100	Label	ラベル (サイド規制操作)	C	1	A,A1
21	0978381101	FRICITION SHEET	摩擦板	C	1	
22	4138303101	SHAFT	シャフト	D	1	



# VERTICAL CONVEYANCE SECTION

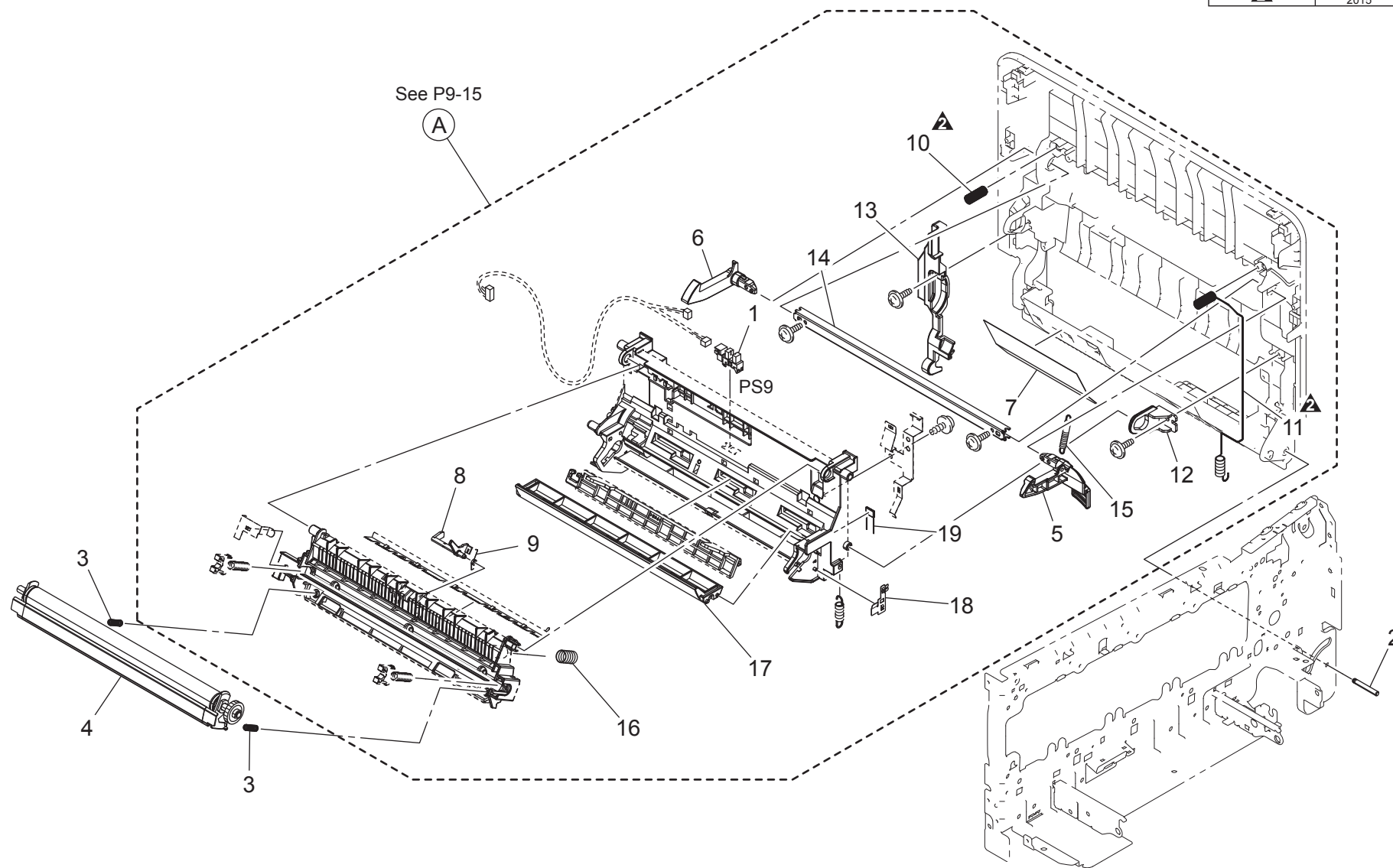
改訂版 REVISED EDITION	日付 DATE
▲	FEBRUARY 2015





# VERTICAL CONVEYANCE SECTION

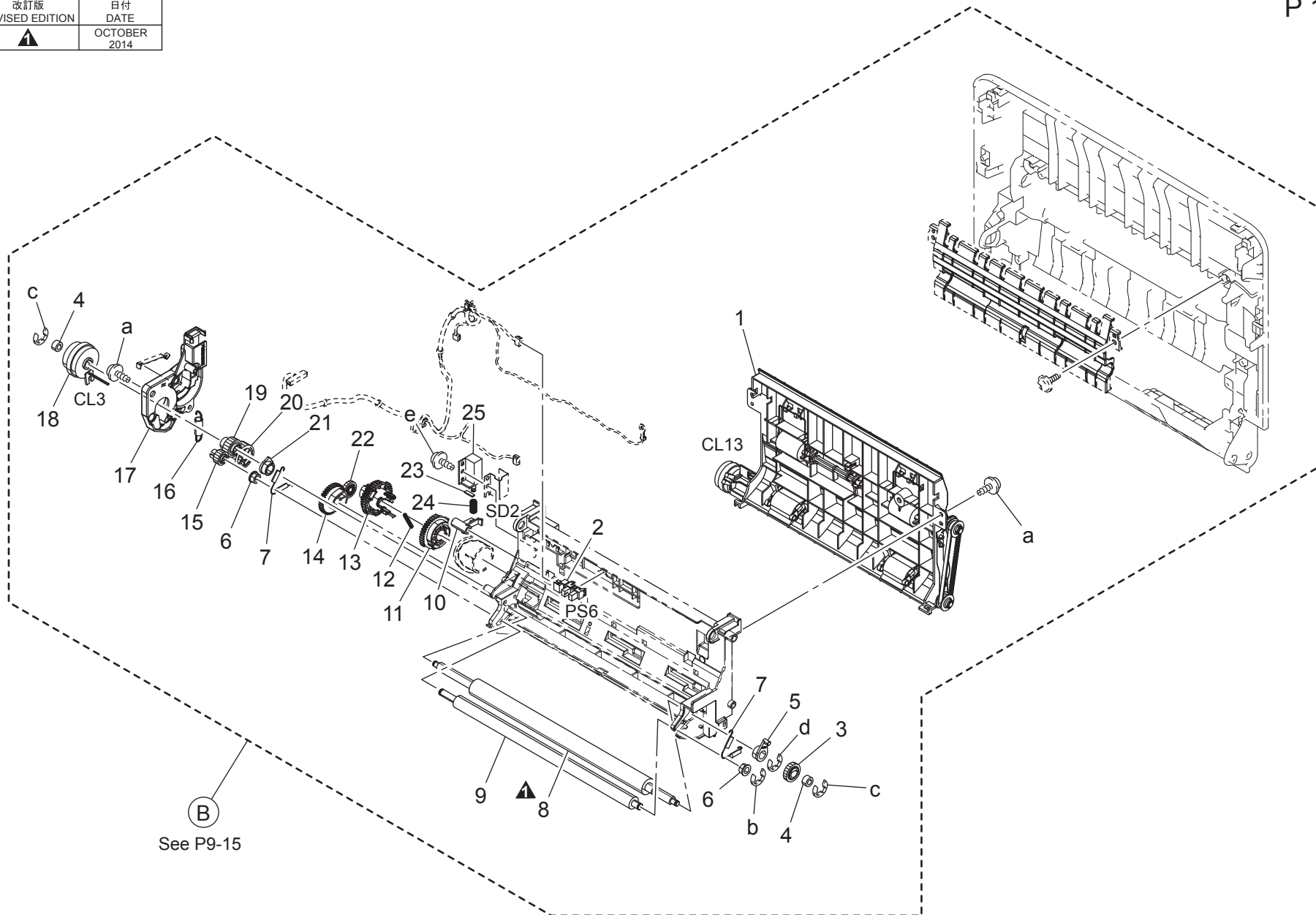
改訂版 REVISED EDITION	日付 DATE
	APRIL 2015





# VERTICAL CONVEYANCE SECTION

改訂版 REVISED EDITION	日付 DATE
	OCTOBER 2014

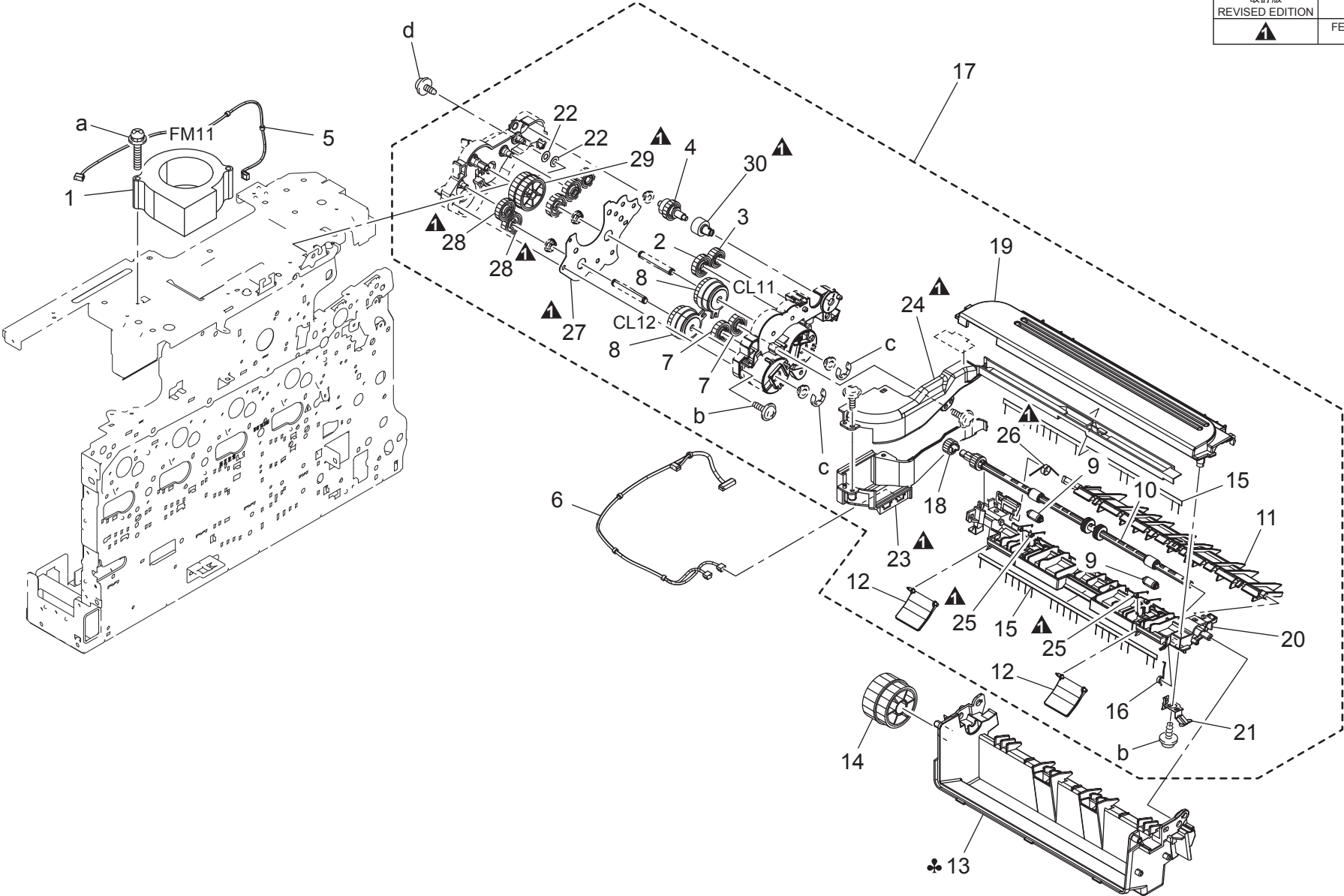


VERTICAL CONVEYANCE SECTION

Key	Part No.	Description	Destinations	Class	QTY	Standard parts
1	A0VDR71722	DUP Transport Assy	DUP 搬送 ASSY	C	1	a-V153030803 b-V217040001 c-V217030001 d-V217060001 e-V153031003
2	A108M50100	Photointerrupter	透過型センサ	B	1	
3	A0VD235301	Gear 16T	ギア 16 T	C	1	
4	4138352802	ROLL	ころ	C	2	
5	A0VD702300	Bushing	すべり軸受	D	1	
6	4138353202	BUSHING	軸受	C	2	
7	A0VD702501	Pulling Coil spring	引張りコイルばね (TR 圧接 SP)	D	2	
8	A3GN702100	Roller	ローラ	C	1	
9	A0VD702902	Roller	ローラ (TR 従動)	D	1	
10	A0VD704700	Lever	レバー (ソレノイド ONOFF 用)	D	1	
11	A0VD704400	Gear 32T	ギア 32 T	D	1	
12	A034563800	Compressing Spring	圧縮ばね (欠歯)	D	1	
13	A0VD704300	Gear 35/42T	ギア 35 / 42 T	D	1	
14	A0VD705101	Gear 35T	ギア 35 T	D	1	
15	A0VD703001	Gear 15T	ギア 15 T	D	1	
16	A0VD703700	Pulling Coil spring	引張りコイルばね (ユニット引込用)	D	1	
17	A0VD705303	Mounting Plate	取付板	D	1	
18	A011M20000	CLUTCH	クラッチ	C	1	
19	A0VD703501	Gear 20T	ギア 20 T	D	1	
20	A0VD704900	Gear 28T	ギア 28 T	D	1	
21	A0VD702400	Bushing	すべり軸受	D	1	
22	A0VD705200	Gear 18T	ギア 18 T	D	1	
23	A034220100	Seal	シール (レバー・消音)	D	1	
24	A034213400	Compressing Spring	圧縮ばね (SL 04)	D	1	
25	A034M20000	Paperfeed Solenoid	給紙ソレノイド	C	1	

# DUP RIVERSE DRIVE SECTION

改訂版 REVISED EDITION	日付 DATE
▲	FEBRUARY 2015



DUP RIVERSE DRIVE SECTION

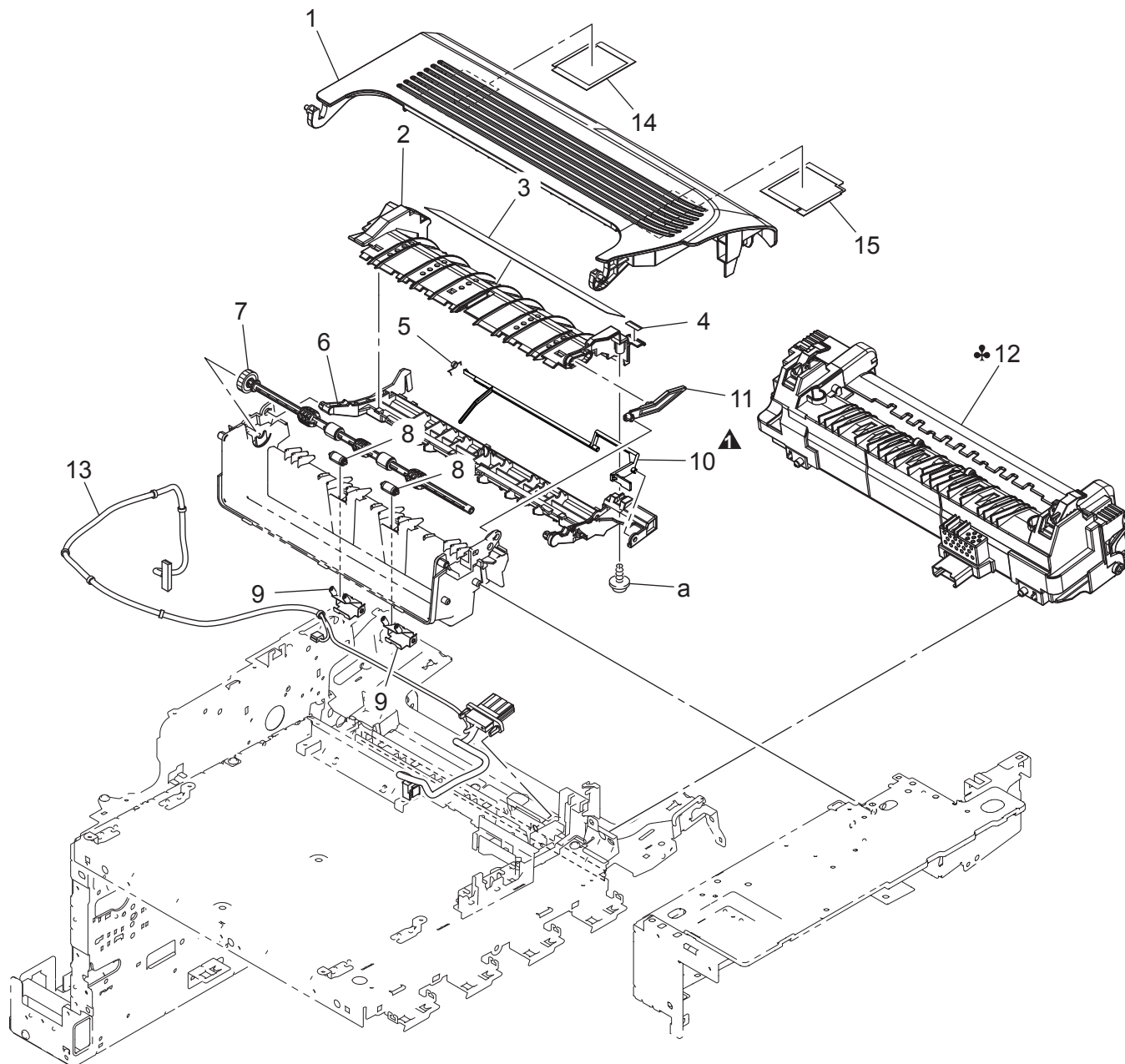
Key	Part No.	Description	Destinations	Class	QTY	Standard parts
1	9313130051	FAN MOTOR		B	1	a-V116033503 b-V153030803 c-V217040001 d-V137030603
2	A0VD822800	Gear 23T		D	1	
3	A0VD822700	Gear 19T		D	1	
4	A3GN823500	Torque limiter ASSY		C	1	
5	A6DRN10K00	Cooling Wiring		D	1	
6	A6DRN10R00	Conveyance Wiring		D	1	
7	A0VD822400	Gear 18T		D	2	
8	A0VDM20000	Clutch		C	2	
9	A0VD820200	Roll		C	2	
10	A0VD820103	Reverse/exit Roller		D	1	
11	A0VD825600	Guide		D	1	
12	A0VD891401	Guide		D	2	
13	A6DR891000	Paper exit Holder	B,G2,H	D	1	
13	A6DR895500	Paper exit Holder	C,D1,D3,E,F2,G1,I,K ,J	D	1	
13	A6DR890500	Paper exit Holder	A,A1	D	1	
14	A0VD890800	Gear 38/40T		D	1	
15	A0VD894101	Neutralizing Brush		D	2	
16	A0VD820800	Torsion Coil spring		D	1	
17	A0VDR71800	DUP Reverse Drive Assy		C	1	
18	A0VD821100	Gear 14T		D	1	
19	A0VD820403	Guide /Upper		D	1	
20	A0VD820501	Guide /Lower		D	1	
21	A0VD820900	Contact		D	1	
22	A6DR819900	Spacer		D	2	
23	A0VD814000	Duct		D	1	
24	A0VD814100	Duct		D	1	
25	A0VD820300	Torsion Coil spring		C	2	
26	A0VD820700	Torsion Coil spring		C	1	
27	A0VD822300	Drive Side plate		D	1	
28	A0VD822500	Gear 24T		C	2	
29	A0VD822600	Gear 36/37T		C	1	
30	A0VD823300	Clutch		C	1	



# FUSING SECTION

P 13

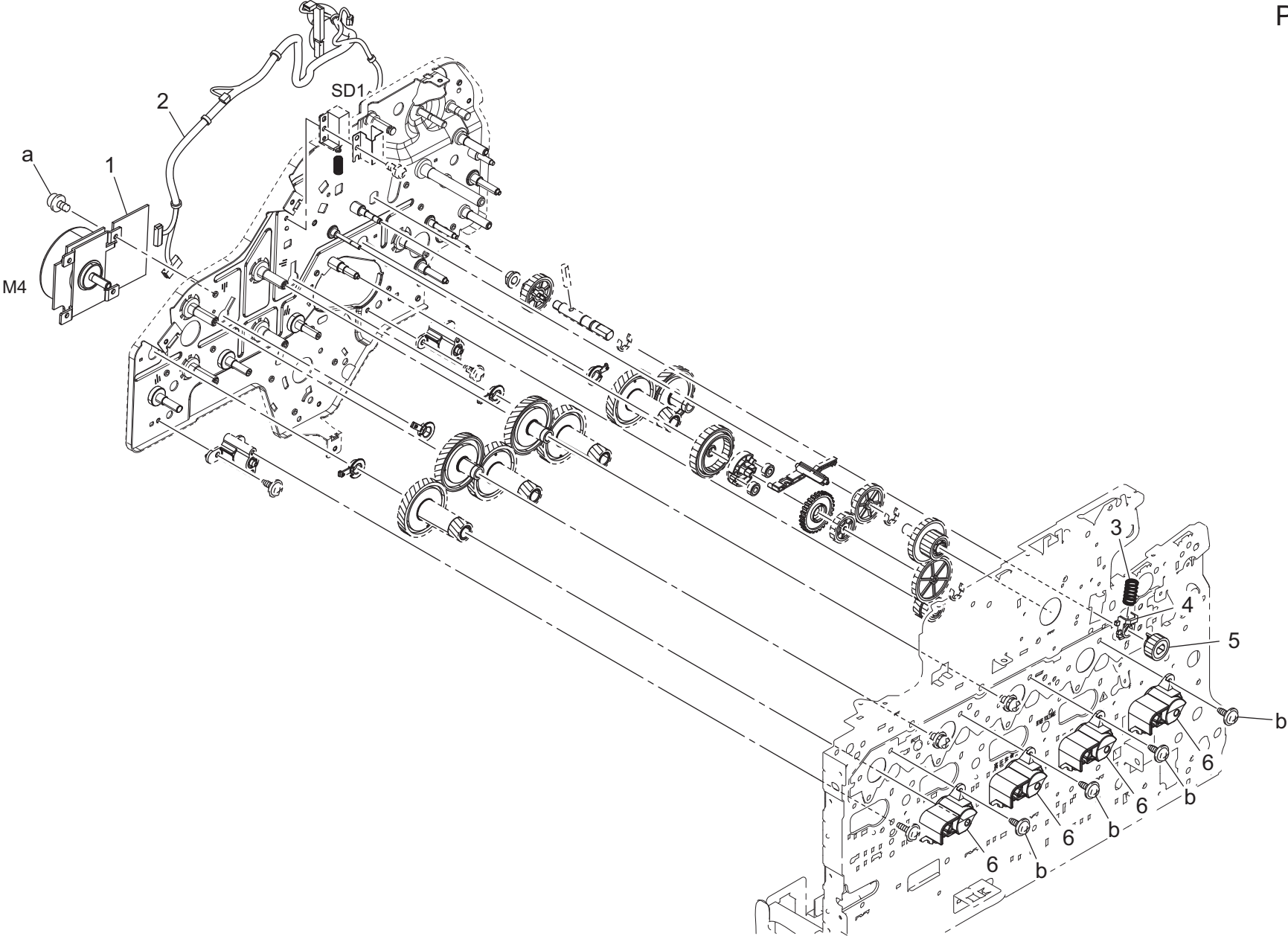
改訂版 REVISED EDITION	日付 DATE
▲	MAY 2015



FUSING SECTION

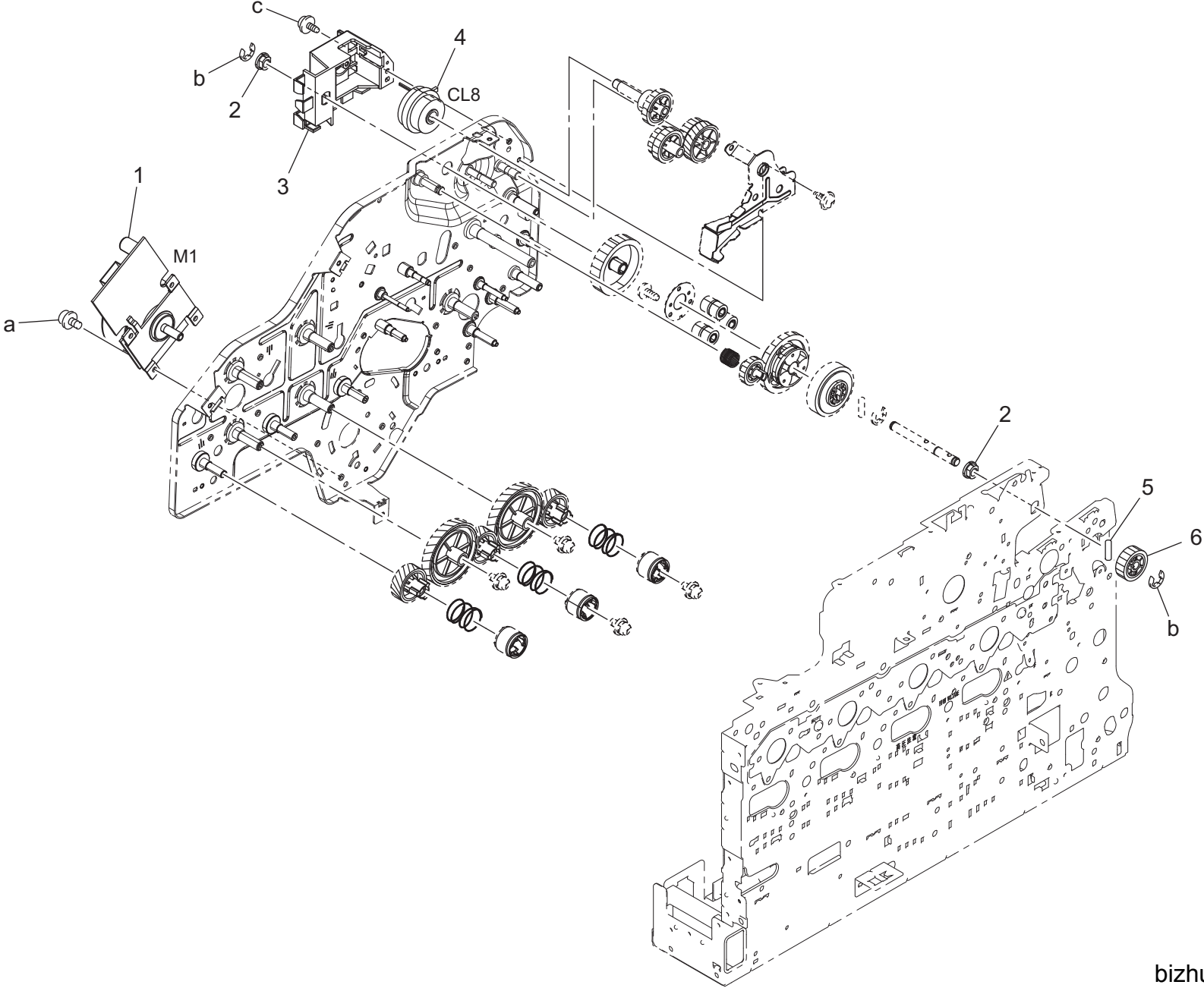
Key	Part No.	Description	Destinations	Class	QTY	Standard parts
1	A0VD166303	Cover		D	1	a-V153030803
2	A0VD908300	Guide		D	1	
3	A3GN948300	Label Hi-Temp Caution/Jam		D	1	
4	A0VD949100	Label JAM		D	1	
5	A0VD892400	Torsion Coil spring		D	1	
6	A0VD908101	Guide		D	1	
7	A0VD890102	Paper exit Roller		D	1	
8	A3GN890302	Paper exit Roll		C	2	
9	A0VD890200	Spring		D	2	
10	A6DR892300	Actuator		D	1	
11	A0VD901401	Lever		D	1	
12	A148010	Fusing Unit (110-127V)	B,G2,H	A	1	
12	A148022	Fusing Unit (220-240V)	C,D1,D3,E,F2,G1,I,K ,J	A	1	
12	A148002	Fusing Unit (100V)	A,A1	A	1	
13	A6DRN10H00	Fixing Relay harness		D	1	
14	A0VD164500	Filter		C	1	
15	A0VD164400	Filter		C	1	

MAIN DRIVE SECTION



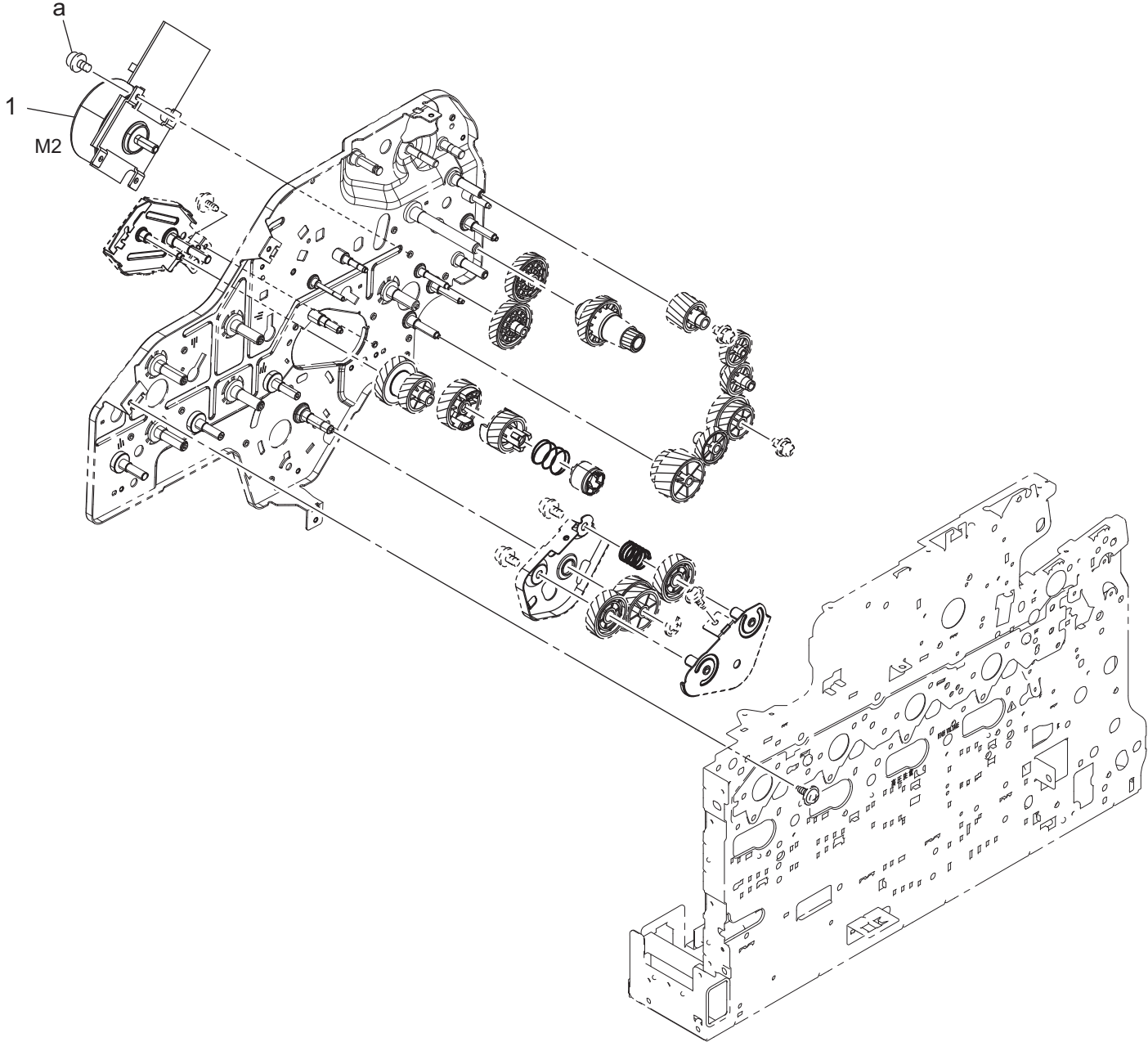


MAIN DRIVE SECTION





MAIN DRIVE SECTION

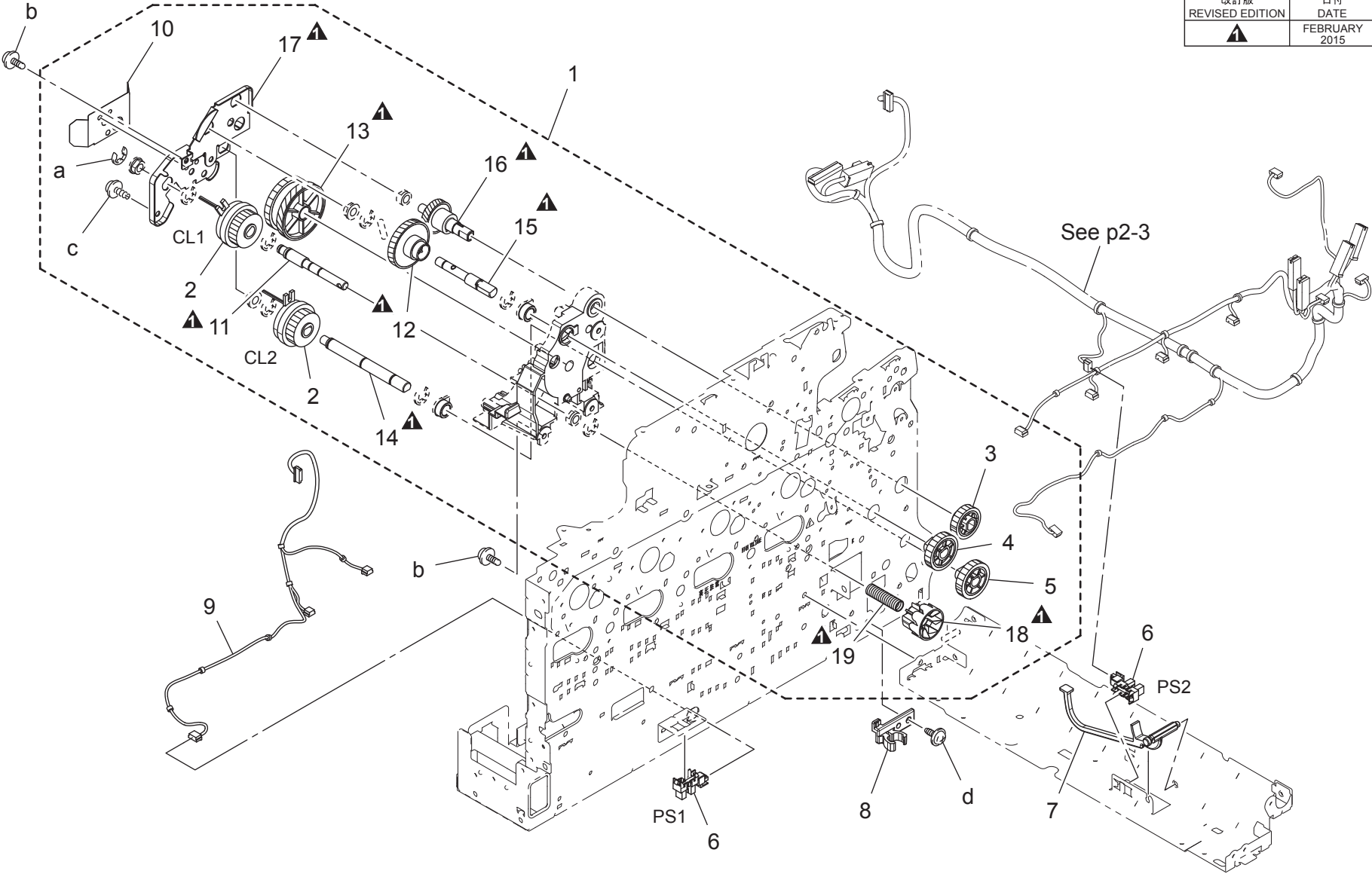






# PAPER FEED DRIVE SECTION


改訂版 REVISED EDITION	日付 DATE
▲	FEBRUARY 2015

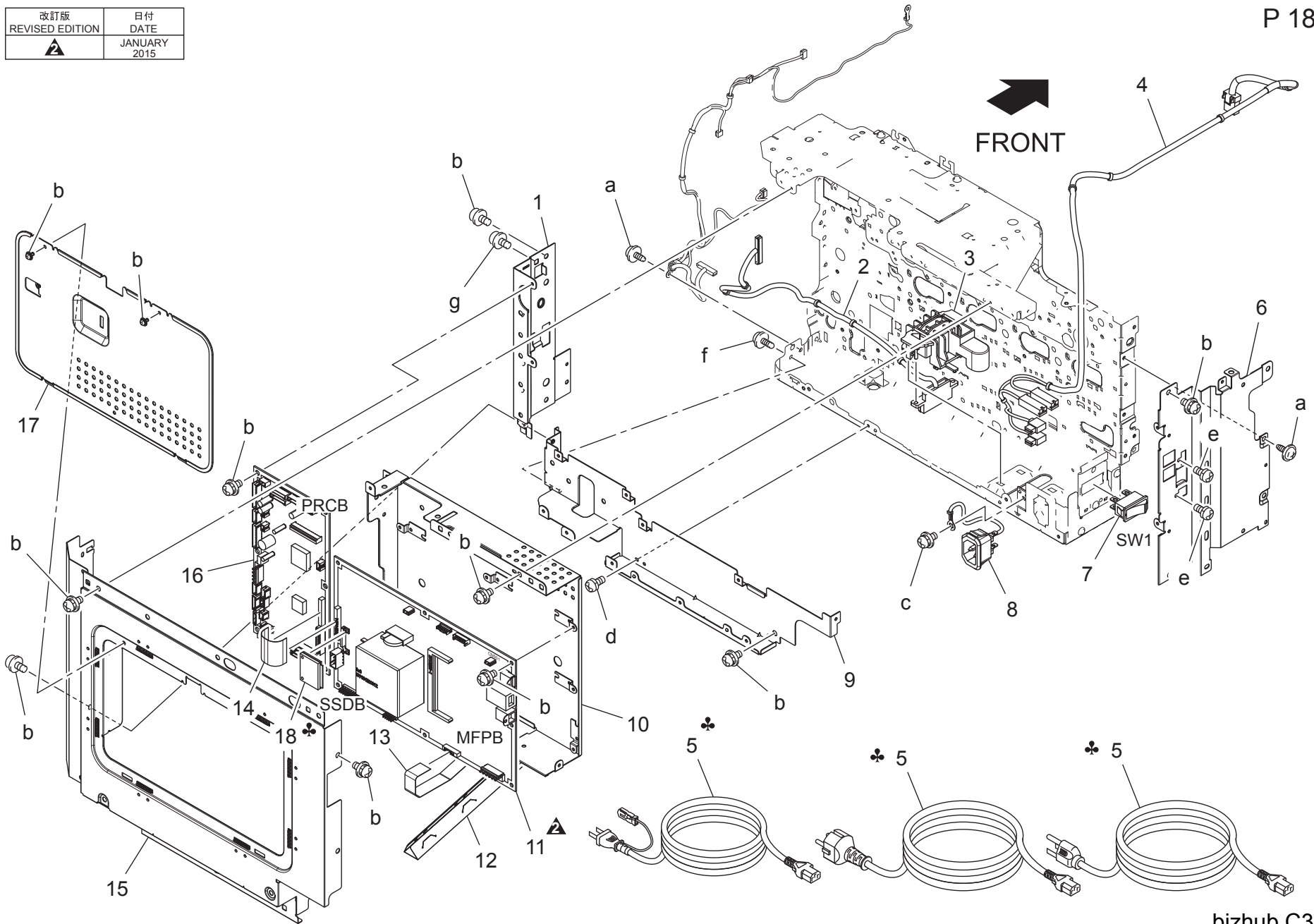


PAPER FEED DRIVE SECTION

Key	Part No.	Description	Destinations	Class	QTY	Standard parts
1	A6DRR70000	Paper Feed Drive Assy		C	1	a-V217040001 b-V144030803 c-V153030803 d-V137030603
2	A02EM20000	Clutch		B	2	
3	A0VD231200	Gear 22T		D	1	
4	A0VD230901	Gear 25T		C	1	
5	A0VD233301	Gear 20T		C	1	
6	A108M50100	Photointerrupter		B	2	
7	A0VD624100	Lever		C	1	
8	4002312303	HOLDER		D	1	
9	A6DRN10E00	Paperfeed Wiring		D	1	
10	A3GN217000	Guide Sheet		C	1	
11	A0VD230101	Shaft		D	1	
12	A0VD230301	Gear 23/55T		C	1	
13	A0VD230400	Gear 38/65T		C	1	
14	A0VD230501	Shaft		D	1	
15	A0VD230800	Shaft		D	1	
16	A0VD231101	Gear 36T		C	1	
17	A0VD233102	Mounting Plate		D	1	
18	4138259601	PAWL		D	1	
19	4138259701	PRESSURE SPRING		C	1	

# ELECTRICAL COMPONENTS

改訂版 REVISED EDITION	日付 DATE
	JANUARY 2015



ELECTRICAL COMPONENTS

Key	Part No.	Description	Destinations	Class	QTY	Standard parts
1	A6DR132800	Mounting Plate		D	1	a-V137030603
2	A6DRN10F00	Paperfeed Relay harness		D	1	b-V116030603
3	A0VD136100	Hold Holder		D	1	c-V116040803
4	A6DRN10X00	AC Wiring		D	1	d-V115260503
5	A0VDN30100	Power code	B,G2(Except Brasil)	C	1	e-V115030603
5	A0VDN30000	Power code	C	C	1	f-V144030603
5	9381420021	POWER CORD	D1(Except India,Thailand,Indonesia,Singapore),D3,E,G1(Except Argentina),I,K	D	1	g-V116030803
5	A0VDN30200	Power code	A,A1	C	1	
5	9381430031	POWER CORD	J	D	1	
5	A2UPN30100	Power code (220-240V)	D1(Singapore),F2	D	1	
5	A034N30300	Power source Cord	H	D	1	
5	4136N30000	POWER CODE	D1(Indonesia)	D	1	
5	A1UDN30200	Power code /230V	G1(Argentina)	C	1	
5	A2UPN30300	Power code (220-240V)	D1(Thailand)	D	1	
5	A2UPN30501	Power code /230V	G2(Brasil)	C	1	
5	A2UPN30700	Power code (220-240V)	D1(India)	D	1	
6	A6DR133600	Reinforce Plate /Left		D	1	
7	A034M60200	Rocker switch		C	1	
8	A6DRN10001	AC Wiring		D	1	
9	A6DR132901	Mounting Plate		D	1	
10	A6DR131501	Mounting Plate		D	1	
11	A6DRH01006	PWB Assembly		I	1	
12	A6DR133901	Seal		D	1	
13	A6DRN10S00	LD Flatcable		D	1	
14	A6DRN10T00	Controller Flatcable		D	1	
15	A6DR133402	Shield Plate		D	1	
16	A6DRH0010A	PWB Assembly (PCRB)		I	1	
17	A6DR132401	Cover		D	1	
18	A6DRR70500	Memory Board (JP)	A, A1	I	1	
18	A6DRR70400	Memory Board (WW)	B,C,D1,D3,E,F2,G1,G2,H,I,K,J	I	1	

# WIRING ACCESSORIES AND JIGS

<p>1</p> <p>White</p> <p>5.2</p> <p>11.5</p>	<p>6</p> <p>White</p> <p>5.3</p> <p>11</p>						
<p>2</p> <p>7.2</p> <p>11.5</p>	<p>7</p> <p>L=104</p>						
<p>3</p> <p>15.2</p> <p>18.5</p>	<p>8</p> <p>L=100</p>						
<p>4</p> <p>13.7</p> <p>16</p>							
<p>5</p> <p>5.8</p> <p>7.9</p>							

WIRING ACCESSORIES AND JIGS

Key	Part No.	Description	Destinations	Class	QTY	Standard parts
1	V500010081	Locking Wire Saddle		D		
2	V500010082	Locking Wire Saddle		D		
3	V500010083	Locking Wire Saddle		D		
4	V500010084	Locking Wire Saddle		D		
5	V500020098	Mini Locking wire saddle		D		
6	V500020100	Mini Locking wire saddle		D		
7	V501010001	band		D		
8	V501010018	BAND		D		

# MAINTENANCE LIST

● The items with no Page/Key numbers are not handled as spare parts.

No.	Section	PM Parts Description	Maintenance Cycle (K=1,000)		Parts No.	Destinations	Page/Key	Note
			QTY	Replace				
1	Paper feed section	Tray1 feed roller	1	300k	4138303202		P8-3	*2 *4
2		Tray 1 separation roller	1	300k	4658015106		P8-4	*2 *4
3		Manual tray feed roller	1	300k	4138303202		P9-8	*2 *4
4		Manual tray separation roller	1	300k	4658015106		P9-12	*2 *4
5	Processing section	Toner cartridge/Y,M,C,K	1	4.7k	-			*1 *3
6		Imaging unit/Y,M,C,K	1	20k	-			*2
7		Waste toner bottle	1	19.7k	A1AU0Y1		P7-19	*3 *5
8	Image transfer section	Transfer belt unit	1	100k	A1480Y1		P4-5	*2
9		Transfer roller	1	100k	A1480Y2		P10-4	*2
10	Fusing section	Fusing unit	1	100k	A148010	B,G2,H	P13-12	*2
11		Fusing unit	1	100k	A148022	C	P13-12	*2
12		Fusing unit	1	100k	A148002	A,A1	P13-12	*2

\*1: The parts can be replaced either by user or service engineer.

\*2: Actual durable cycle (life counter value)

\*3: Field standard yield

\*4: Replace those parts at the same time.

\*5: A waste toner full condition is detected with detecting the actual waste toner emissions.

# メンテナンスリスト

● ページ / キーナンバーのないものは、アフターサービス部品ではありません。

No.	区分	PM 部品名称	サイクル (K=1,000)		部品番号	仕向地	頁 / キー	備考
			員数	交換				
1	給紙部	トレイ1 給紙ローラー	1	300k	4138303202		P8-3	*2 *4
2		トレイ1 分離ローラー	1	300k	4658015106		P8-4	*2 *4
3		手差しトレイ給紙ローラー	1	300k	4138303202		P9-8	*2 *4
4		手差しトレイ分離ローラー	1	300k	4658015106		P9-12	*2 *4
5	プロセス部	大容量トナーカートリッジ (C, M, Y, K)	1	4.7k	-			*1 *3
6		イメージングユニット /Y,M,C,K	1	20k	-			*2
7		廃トナーボトル	1	19.7k	A1AU0Y1		P7-19	*3 *5
8	転写部	転写ベルトユニット	1	100k	A1480Y1		P4-5	*2
9		転写ローラー	1	100k	A1480Y2		P10-4	*2
10	定着部	定着ユニット	1	100k	A148010	B,G2,H	P13-12	*2
11		定着ユニット	1	100k	A148022	C	P13-12	*2
12		定着ユニット	1	100k	A148002	A,A1	P13-12	*2

\*1: ユーザー / サービス交換の選択が可能。

\*2: ライフカウンター値

\*3: 市場標準印刷枚数値

\*4: 同時交換のこと。

\*5: 廃トナーフル検知は、実際の廃トナー充填量を検知して行う。



DESTINATION

Destination No.		Destinations		V	Hz	Model No.
A	A1	JAPAN		100	50/60	A6DR-001/ A6DR-002
	A2	JAPAN				
B		USA, CANADA		120	60	A6DR-011/ A6DR-012
C		EUROPEAN TYPE		220-240	50/60	A6DR-021
D	D1	S.E ASIA TYPE	THAILAND, SRI LANKA, SINGAPORE, MALAYSIA, HONG KONG, PAKISTAN, INDIA, BANGLADESH, INDONESIA	220-240	50/60	A6DR-041/ A6DR-042
	D3	OCEANIA TYPE	AUSTRALIA, NEW ZEALAND	220-240	50/60	A6DR-041/ A6DR-042
E		PHILIPPINES		220-240	50/60	A6DR-041/ A6DR-042
F	F1	SAUDI ARABIA				
	F2	SAUDI ARABIA		220-240	50/60	A6DR-041/ A6DR-042
G	G1	C.S AMERICA		220-240	50/60	A6DR-041/ A6DR-042
	G2	C.S AMERICA		120	60	A6DR-011/ A6DR-012
H		TAIWAN		110	60	A6DR-011/ A6DR-012
I		JORDAN, LEBANON, SYRIA, SOUTH AFRICA, IRAQ, IRAN, N.YEMEN, CAMEROON, UAE, BAHRAIN, OMAN, QATAR, KUWAIT, KENYA, TUNISIA, IVORY COAST, MOROCCO		220-240	50/60	A6DR-041/ A6DR-042

<b>Destination No.</b>	<b>Destinations</b>	<b>V</b>	<b>Hz</b>	<b>Model No.</b>
J	CHINA	220-240	50/60	A6DR-081/ A6DR-082
K	KOREA	220-240	50/60	A6DR-041/ A6DR-042