

KONICA MINOLTA

# *PARTS GUIDE MANUAL*

---

*JUNE 2015*

*bizhub C3110  
A6DT*

## INFORMATION FOR PARTS GUIDE MANUAL

To find correct Parts No., refer to the "HOW TO MAKE THE BEST USE OF THIS MANUAL" in the following page.

### HOW TO MAKE THE BEST USE OF THIS MANUAL

- 1 When you order, please check the proper figures beforehand that are on Our Parts Guide Manual, and order with the appropriate figures.
- 2 For screws, Nuts, Washers, retaining rings and Pins which are used in this model, one letter is shown on the Standard parts column of Parts list and exploded diagrams.
- 3 In order to maintain safety of the product, some specific parts composed of this product are set up as "essential safety parts".
- 4 The assigned parts number for the "essential safety parts" is indicated as "SP00-\*\*\*\*".  
When replacing these parts, follow precautions for disassembling and installing which are listed in the Service Manual.  
Do not use any parts that are not set up as
- 5 ♣ means that there are exclusive parts for each destination.  
Please check the appropriate destination when you order.
- 6 Revision Mark  
Marked as ▲ on the illustration shows that the revision has been made.
- 7 All rights reserved. (any reprints or quotations are prohibited.)  
Use of this parts guide manual should be strictly supervised to avoid disclosure of confidential information.

## パーツガイドマニュアルのご案内

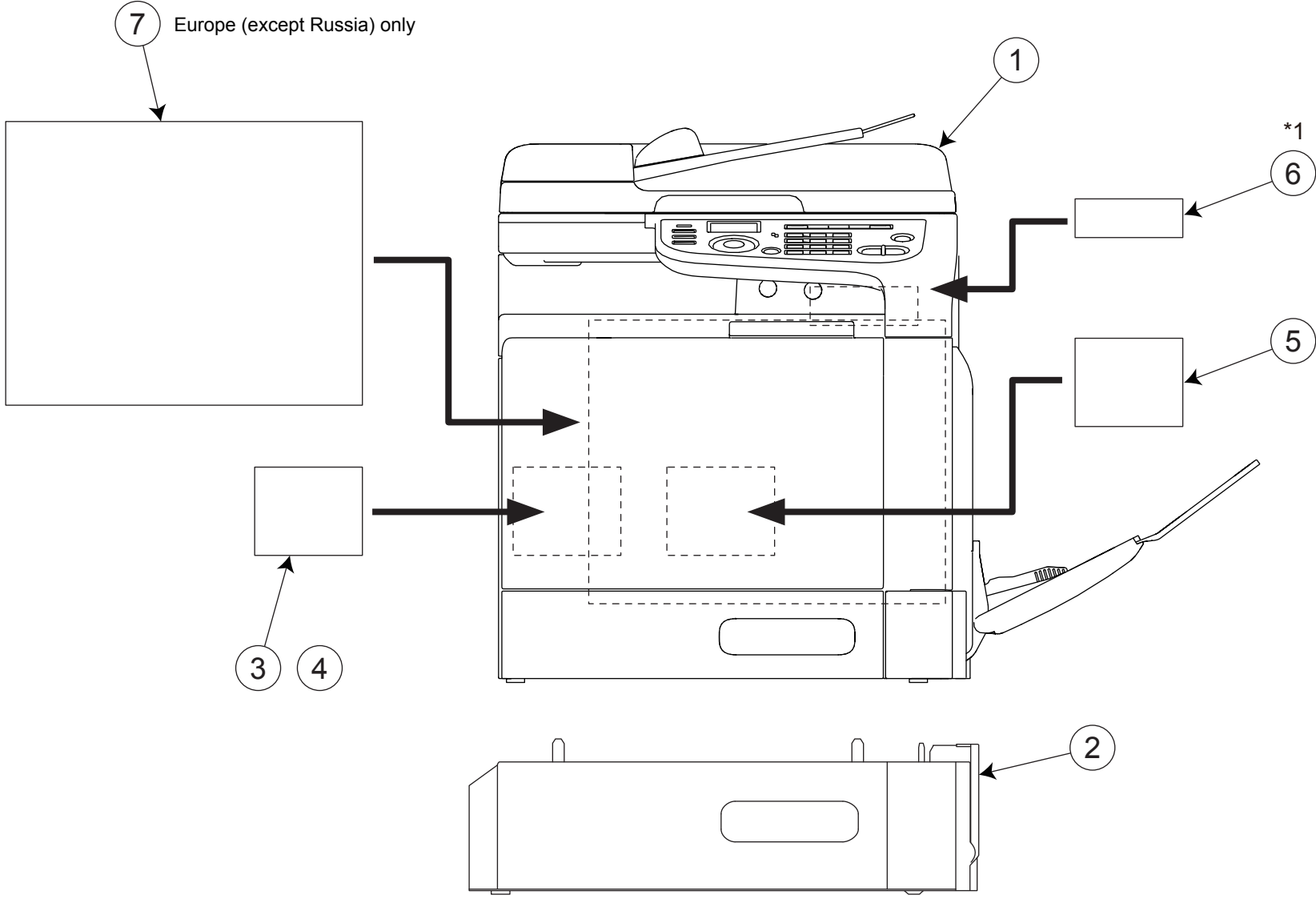
サービス部品をご発注の際には、下記に示す“パーツガイドマニュアルの活用にあたって”をご参照の上、正しい部品番号にてお願い致します。

### パーツガイドマニュアルの活用にあたって

- 1 部品発注の際には、掲載されている部品番号の桁数を確認し、掲載されている桁数で発注願います。
- 2 この製品に使用されているネジ、ナット、ワッシャー、止め輪、ピンなどは、リストの右側の Standard parts 欄に a,b,c,…… で表示し、イラストにも a,b,c,…… 表示してあります。
- 3 製品の安全性を維持する為に、製品に使用される特定の部品を「重要保安部品」として設定しています。
- 4 重要保安部品の部品番号は、“SP00-\*\*\*\*”と記載されていますので、部品交換時は、サービスマニュアル記載の分解・組み立ての注意事項に従って作業をして下さい。  
また、指定以外の部品は一切使用しないで下さい。
- 5 本文に ♣ が表示されている部品は、仕向け地毎に専用部品がある事を意味しています。  
オーダーされる時は、仕向け地を確認して下さい。
- 6 改訂記号について  
イラスト上に ▲ 印が表示されている部分は、改訂された事を表します。
- 7 著作権所有（無断転載及び無断引用の禁止）  
本パーツガイドマニュアルについては、機密保持等その扱いには十分注意して下さい。万一取り扱いを誤った場合には、法律で処罰されることがあります。

# SYSTEM OUTLINE

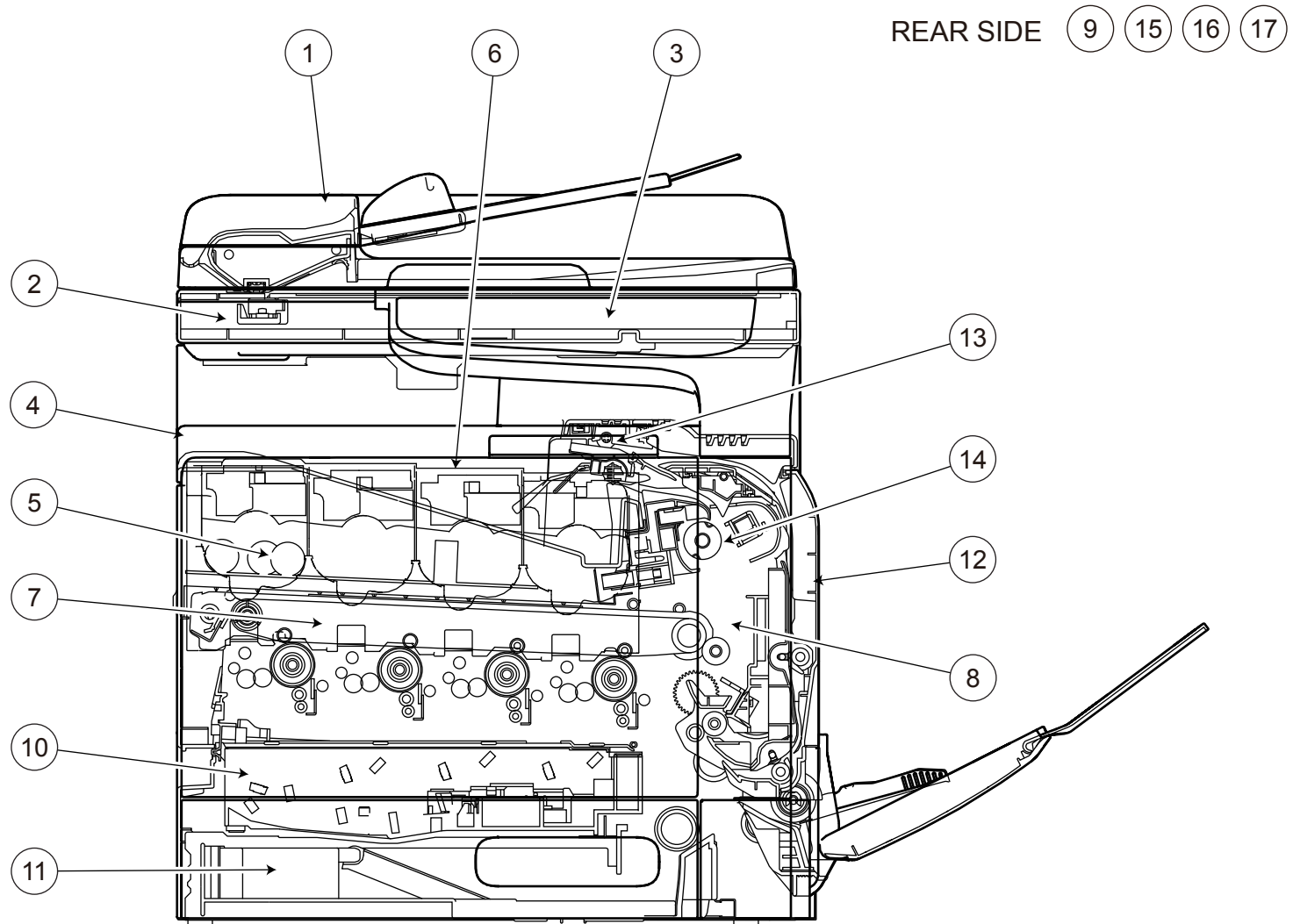
\*1: WiFi Model Only



# GENERAL CONTENTS

<b>No.</b>	<b>Description</b>	<b>Model</b>
1	Printer Color	bizhub C3110
2	Paper Feeder	PF-P14
3	Fax Kit	FK-512
4	Mount Kit	MK-P04
5	HDD	HD-P06
6	Mount Kit	MK-P07
7	Other Option	CU-201

# DIAGRAMS OF MAIN PARTS SECTION



# CONTENTS

No.	DESCRIPTION	名称	PAGE No.
1	ADF UNIT	ADF ユニット	P1 P2
2	IR UNIT	IR ユニット	P3
3	OPERATION PANEL SECTION	操作パネル部	P4
4	EXTERNAL PARTS	外装部	P5
5	POWER SUPPLY SECTION	低圧電源部	P6
6	TONER BOTTLE DRIVE SECTION	トナーボトル駆動部	P7
7	TRANSFER BELT UNIT	転写ベルトユニット	P8
8	TRANSFER GUIDE SECTION	転写ガイド部	P9
9	HIGH VOLTAGE SECTION	高圧電源部	P10
10	PRINT HEAD SECTION	P / H 部	P11
11	CASSETTE SECTION	カセット部	P12
12	VERTICAL CONVEYANCE SECTION	縦搬送部	P13 P14 P15
13	DUP REVERSE DRIVE SECTION	D U P 反転駆動部	P16
14	FUSING SECTION	定着部	P17
15	MAIN DRIVE SECTION	メイン駆動部	P18 P19 P20
16	PAPER FEED DRIVE SECTION	給紙駆動部	P21
17	ELECTRICAL COMPONENTS	電装部	P22
18	WIRING ACCESSORIES AND JIGS	配線部品・治具	P23
19	ACCESSORY PARTS	同梱部品	P24

# INDEX

Parts No.	Page No.
0978381101	12-23
0996305501	11-5
1164306201	12-15
4002312303	21-8
4030303401	12-2
4030303401	13-9
4036301401	19-5
4040M40100	16-13
4120301901	13-29
4131302702	13-30
4131305601	12-7
4131305601	13-7
4131305702	12-8
4136N30000	24-4
4138259601	21-18
4138259701	21-19
4138303101	12-24
4138303202	12-3
4138303202	13-8
4138320501	13-31
4138323602	13-32
4138323701	13-33
4138324401	12-1
4138325201	13-18
4138325301	13-34
4138325501	13-3
4138352802	15-4
4138353202	15-6
4138731601	12-12
4138731601	13-16
4139M10000	6-1
4658015106	12-4
4658015106	13-12
9313130051	16-1
9335140051	11-16
9381420021	24-4
9381430031	24-8
9J06M60100	6-10
A00F213900	19-2
A00F565101	13-21

Parts No.	Page No.
A00F942000	5-12
A011946200	5-13
A011M20000	15-18
A011M20000	19-4
A02E167800	5-8
A02EM20000	21-2
A034213400	15-24
A034220100	15-23
A034563800	15-12
A034M20000	15-25
A034M60200	22-7
A034N30300	24-5
A0EDM60001	7-13
A0FDPP2K00	1-9
A0HF952400	3-19
A0HFPP1700	1-6
A0HFPP1900	1-3
A0HFPP4302	1-4
A0HFPP4400	1-8
A0VD107401	11-18
A0VD107500	11-20
A0VD108703	11-14
A0VD108902	12-13
A0VD109001	11-21
A0VD109400	11-17
A0VD110104	8-6
A0VD110205	8-18
A0VD110400	8-8
A0VD110500	8-4
A0VD111203	8-11
A0VD111302	11-4
A0VD111402	8-13
A0VD111502	8-19
A0VD111600	8-2
A0VD111700	8-1
A0VD112000	8-10
A0VD114101	8-3
A0VD115100	8-20
A0VD115200	8-22
A0VD115301	8-21

Parts No.	Page No.
A0VD117500	7-11
A0VD134500	10-5
A0VD135201	6-8
A0VD135317	6-7
A0VD135402	6-9
A0VD135512	6-5
A0VD136100	22-3
A0VD136701	11-15
A0VD136800	8-7
A0VD139401	10-3
A0VD139500	10-4
A0VD139700	6-17
A0VD161100	14-14
A0VD161600	14-7
A0VD162101	14-2
A0VD162300	13-14
A0VD162400	14-15
A0VD163200	14-16
A0VD163400	14-6
A0VD163500	14-17
A0VD163600	14-5
A0VD163901	14-13
A0VD164000	14-12
A0VD166401	5-10
A0VD166501	5-4
A0VD168200	13-19
A0VD211303	18-6
A0VD214700	8-23
A0VD218301	19-6
A0VD219800	18-5
A0VD220201	18-4
A0VD220300	18-3
A0VD230101	21-11
A0VD230301	21-12
A0VD230400	21-13
A0VD230501	21-14
A0VD230800	21-15
A0VD230901	21-4
A0VD231101	21-16
A0VD231200	21-3

Parts No.	Page No.
A0VD233102	21-17
A0VD233301	21-5
A0VD235101	11-13
A0VD235301	15-3
A0VD235400	11-7
A0VD235500	11-10
A0VD235600	11-8
A0VD235700	11-6
A0VD235900	11-9
A0VD236400	7-1
A0VD236500	7-5
A0VD236601	7-2
A0VD236902	7-3
A0VD237400	7-8
A0VD237800	7-9
A0VD248501	19-3
A0VD362201	8-15
A0VD362300	8-14
A0VD362400	8-16
A0VD362500	8-17
A0VD362602	11-12
A0VD362702	11-11
A0VD363700	8-24
A0VD491000	7-14
A0VD491100	7-15
A0VD491200	7-10
A0VD491300	7-12
A0VD560202	13-17
A0VD560402	13-22
A0VD560601	13-23
A0VD560802	13-24
A0VD560900	13-25
A0VD561301	13-5
A0VD561502	13-26
A0VD561700	13-2
A0VD561800	13-6
A0VD563101	13-27
A0VD563201	13-28
A0VD621100	12-5
A0VD621100	13-13

Parts No.	Page No.
A0VD622102	12-14
A0VD623101	12-9
A0VD623200	12-10
A0VD624100	21-7
A0VD624800	12-6
A0VD624800	13-10
A0VD700202	14-8
A0VD700302	14-9
A0VD701300	14-18
A0VD701701	14-3
A0VD702300	15-5
A0VD702400	15-21
A0VD702501	15-7
A0VD702700	14-19
A0VD702902	15-9
A0VD703001	15-15
A0VD703501	15-19
A0VD703700	15-16
A0VD704300	15-13
A0VD704400	15-11
A0VD704700	15-10
A0VD704900	15-20
A0VD705101	15-14
A0VD705200	15-22
A0VD705303	15-17
A0VD706102	9-7
A0VD706203	9-6
A0VD706300	9-2
A0VD706400	9-1
A0VD706500	9-4
A0VD707201	9-11
A0VD707503	9-14
A0VD814000	16-23
A0VD820103	16-10
A0VD820200	16-9
A0VD820300	16-24
A0VD820403	16-19
A0VD820700	16-25
A0VD820900	16-21
A0VD821100	16-18

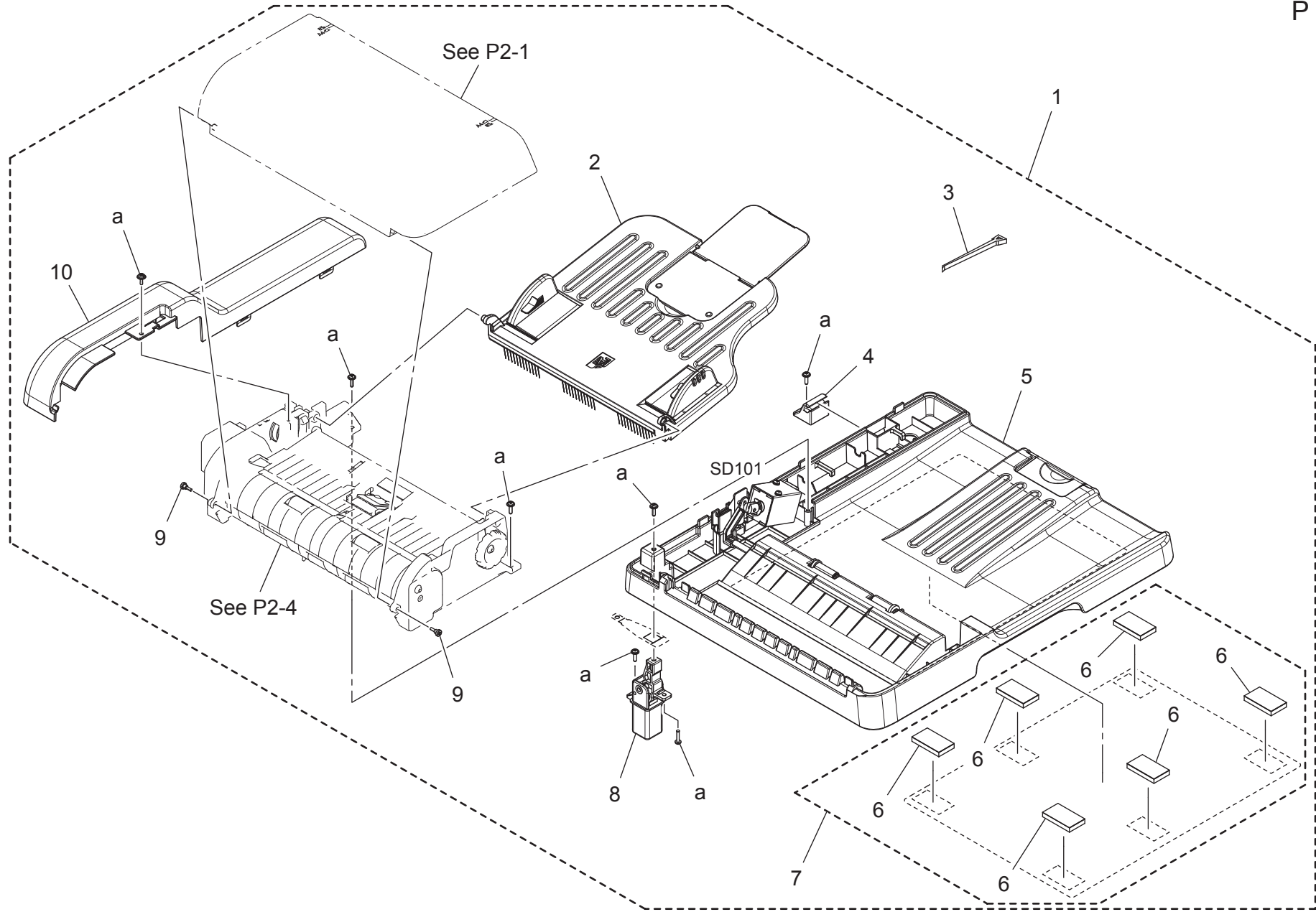
Parts No.	Page No.	Parts No.	Page No.	Parts No.	Page No.	Parts No.	Page No.	Parts No.	Page No.
A0VD822300	16-26	A121820800	16-16	A2YFPP5800	3-6	A6DRN10P01	11-1	A6DTPP0300	1-2
A0VD822400	16-7	A121893002	17-11	A2YFR70211	16-17	A6DRN10R00	16-6	A6DTPP0400	1-10
A0VD822500	16-27	A121902500	17-2	A3EW944600	3-18	A6DRN10S00	22-13	A6DTPP0500	2-5
A0VD822600	16-28	A121943200	12-16	A3GN217000	21-10	A6DRN10T00	22-14	A6DTPP0600	1-7
A0VD822700	16-3	A148002	17-12	A3GN702100	15-8	A6DRN10X00	22-4	A6DTPP0700	2-3
A0VD822800	16-2	A148010	17-12	A3GN823500	16-4	A6DRN11100	10-2	A6DTPP0800	2-2
A0VD823300	16-29	A148022	17-12	A3GN890301	17-8	A6DRN12100	4-5	A6DTPP0900	2-8
A0VD825600	16-11	A1480Y1	8-5	A3GN948300	17-3	A6DRR70000	21-1	A6DTPP0A00	2-9
A0VD890102	17-7	A1480Y2	14-4	A5AY943100	6-22	A6DRR71500	12-11	A6DTPP0B00	1-1
A0VD890200	17-9	A1AU0Y1	11-19	A6DR102200	6-2	A6DT132500	22-10	A6DTPP0C00	2-6
A0VD890800	17-16	A1AU0Y3	11-19	A6DR103001	6-15	A6DT133502	16-14	A6DTPP0D00	2-7
A0VD892400	17-5	A1UD947400	24-7	A6DR132401	22-17	A6DT160200	5-16	A6DTPP0F00	3-16
A0VD894101	16-15	A1UDN30200	24-4	A6DR132800	22-1	A6DT160300	5-3	A6DTPP0G00	3-17
A0VD908101	17-6	A2UPN30100	24-4	A6DR132901	22-9	A6DT163001	5-2	A6DTPP0J00	3-5
A0VD941801	5-15	A2UPN30300	24-4	A6DR133402	22-15	A6DT707100	9-12	A6DTPP0K00	3-14
A0VD949100	17-4	A2UPN30501	24-5	A6DR133600	22-6	A6DT707300	9-10	A6DTPP0M00	3-15
A0VDM20000	7-7	A2UPN30700	24-4	A6DR133901	22-12	A6DT890300	17-15	A6DTPP0N00	3-2
A0VDM20000	16-8	A2YF105300	4-6	A6DR134100	8-9	A6DT891100	17-15	A6DTPP0P00	3-4
A0VDM40402	10-1	A2YF105400	4-7	A6DR134401	10-6	A6DT895300	17-15	A6DTPP0Q00	3-9
A0VDM50000	9-3	A2YF133100	6-14	A6DR160903	5-1	A6DT941100	14-11	A6DTPP0R00	3-8
A0VDM50100	9-9	A2YF138300	4-4	A6DR626500	12-18	A6DT941800	5-11	A6DTPP0S00	3-12
A0VDM50200	6-11	A2YF138501	6-19	A6DR626700	12-19	A6DT942000	5-15	A6DTPP0T00	3-13
A0VDN30000	24-3	A2YF138800	5-7	A6DR626900	12-20	A6DT950100	4-1	A6DTPP0U00	3-11
A0VDN30100	24-5	A2YF139000	6-20	A6DR627000	12-21	A6DT950100	24-9	A6DTPP0V00	3-10
A0VDN30200	24-6	A2YF160102	5-6	A6DR702600	14-20	A6DT950200	24-2	A6DTPP0W00	3-1
A0VDR71300	13-4	A2YF160400	5-14	A6DR819900	16-22	A6DT950300	24-2	A6DTPP0X00	3-3
A0VDR71600	13-1	A2YF160501	5-9	A6DR892300	17-10	A6DT950400	24-2	A6DTPP1100	4-2
A0VDR71722	15-1	A2YF160601	14-10	A6DR947100	12-22	A6DT950500	24-2	A6DTR70000	7-6
A0VDR72533	12-11	A2YF161701	4-3	A6DRM40001	6-13	A6DT950600	4-1	A6DTR70100	13-15
A108M50100	6-6	A2YF161800	5-5	A6DRM40101	6-13	A6DT950700	24-2	A6DTR70200	9-15
A108M50100	7-4	A2YF891202	17-14	A6DRN10001	22-8	A6DT950800	4-1	A6DTR70300	22-5
A108M50100	9-13	A2YF945100	12-17	A6DRN10200	6-3	A6DTH00106	22-16	A6DTR70411	22-5
A108M50100	13-11	A2YF945200	13-20	A6DRN10500	18-2	A6DTH01004	22-11	A73JR70011	11-3
A108M50100	14-1	A2YFM10000	18-1	A6DRN10A00	8-12	A6DTH01007	22-11	V500010081	23-1
A108M50100	15-2	A2YFM10200	19-1	A6DRN10C00	9-8	A6DTN10100	6-12	V500010082	23-2
A108M50100	17-1	A2YFM10200	20-1	A6DRN10D00	9-5	A6DTN10H00	17-13	V500010083	23-3
A108M50100	21-6	A2YFM70500	16-12	A6DRN10E00	21-9	A6DTN12200	16-20	V500010084	23-4
A108R90000	6-18	A2YFPP1500	3-7	A6DRN10F00	22-2	A6DTPP0000	2-4	V500020077	23-5
A121102600	6-16	A2YFPP1600	4-2	A6DRN10K00	16-5	A6DTPP0100	1-5	V500020098	23-6
A121104101	6-4	A2YFPP1700	4-2	A6DRN10N00	11-2	A6DTPP0200	2-1	V500020100	23-7



Parts No.	Page No.
V501010001	23-8
V501010018	23-9
V502010021	6-21
V800400032	14-21

# ADF UNIT

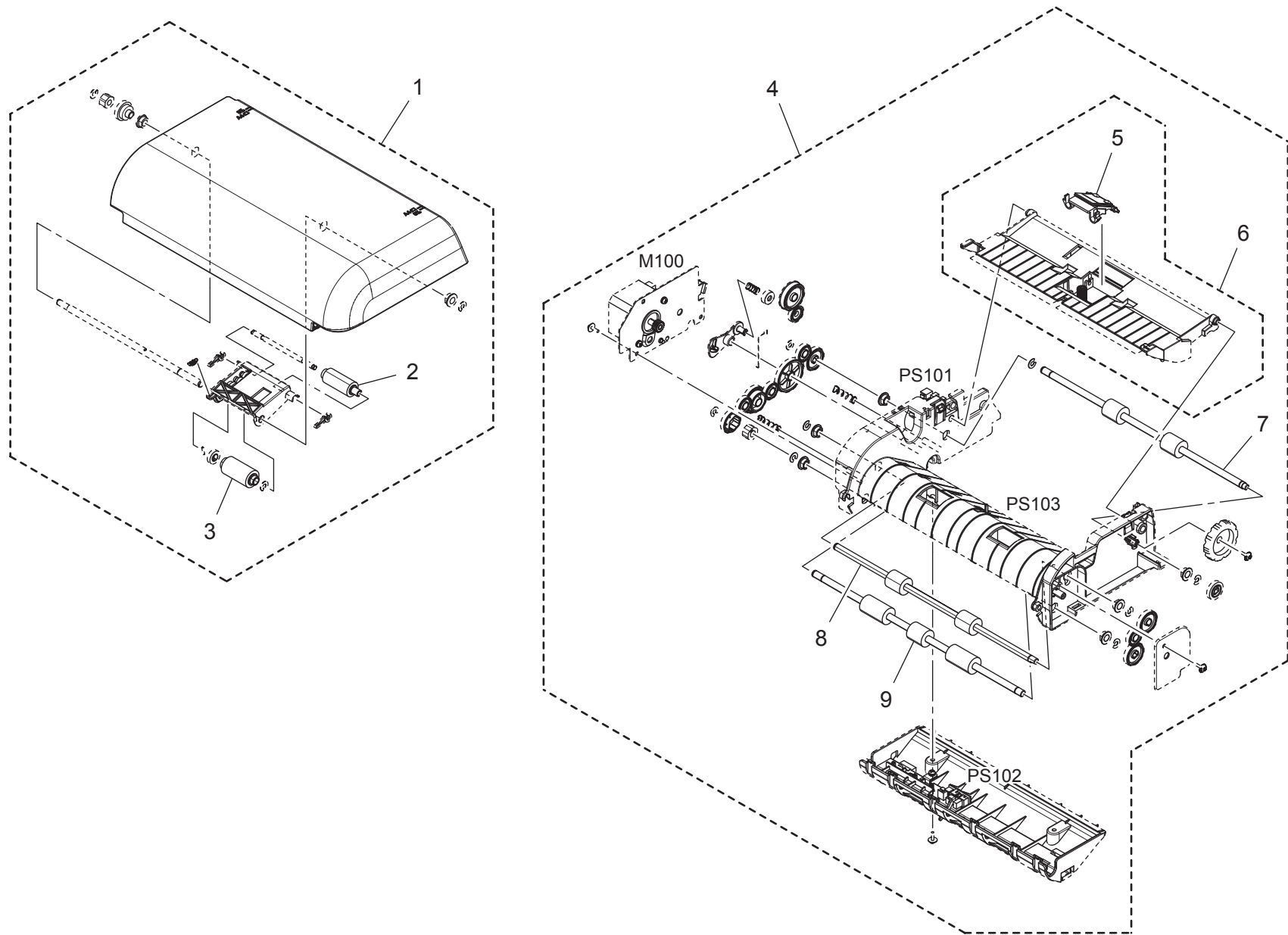
P 1



ADF UNIT

Key	Part No.	Description	Destinations	Class	QTY	Standard parts
1	A6DTPP0B00	ADF UNIT		S	1	a-A6DTPP0E00
2	A6DTPP0300	Tray Assy トレイ ASSY		S	1	
3	A0HFPP1900	Cable Tie 結束バンド		D	1	
4	A0HFPP4302	Hinge ヒンジ		C	1	
5	A6DTPP0100	Cover Assy カバー ASSY		D	1	
6	A0HFPP1700	Sponge スポンジ		C	6	
7	A6DTPP0600	Pad Assy パッド ASSY		D	1	
8	A0HFPP4400	Hinge ヒンジ		C	1	
9	A0FDPP2K00	Shoulder Screw 段ねじ		C	2	
10	A6DTPP0400	Cover/Rear カバー/後		C	1	

# ADF UNIT

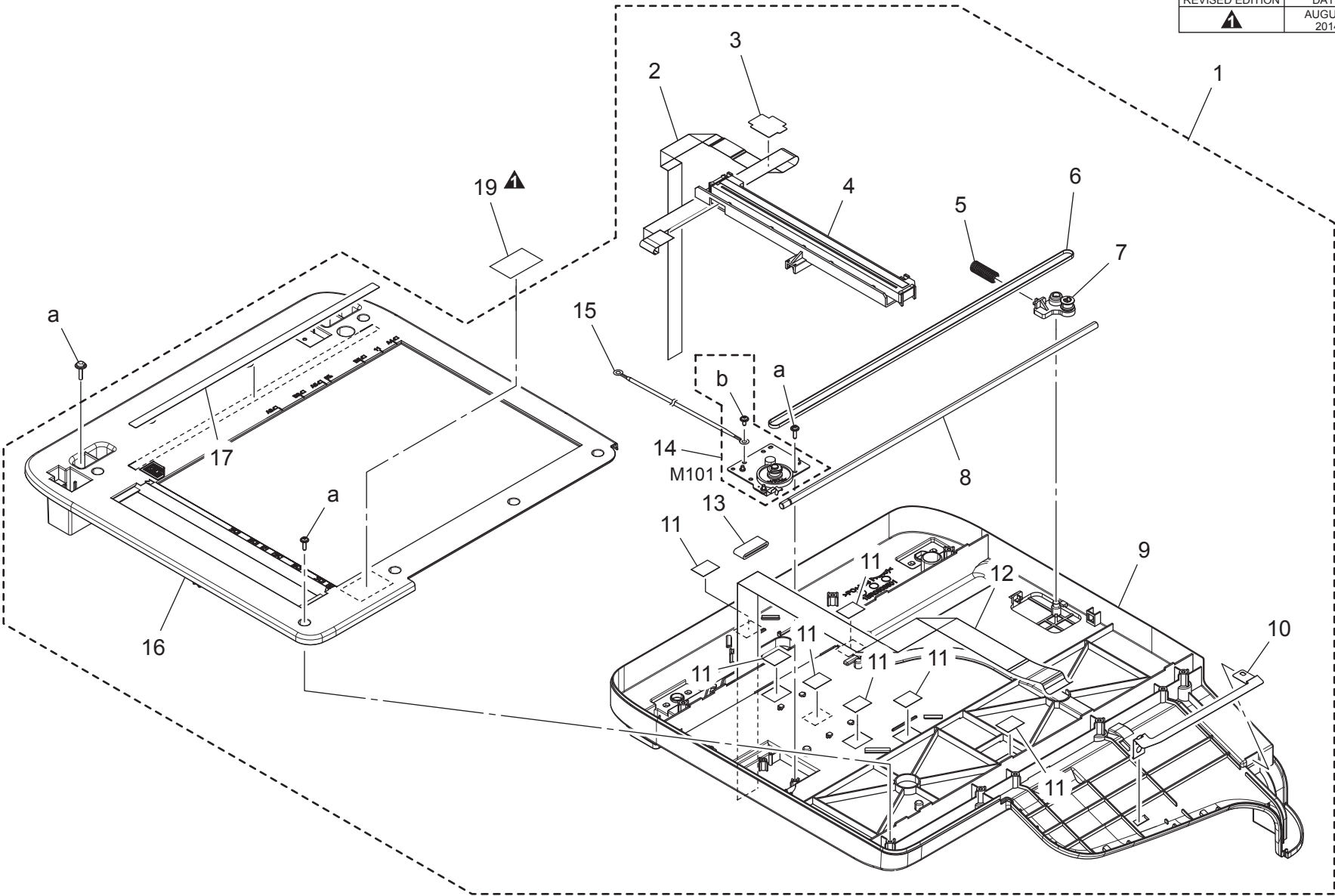


ADF UNIT

Key	Part No.	Description	Destinations	Class	QTY	Standard parts
1	A6DTPP0200	Cover/Upper Assy		S	1	
2	A6DTPP0800	Pick-Up Roller		C	1	
3	A6DTPP0700	Take-Up Roller		C	1	
4	A6DTPP0000	ADF Guide Assy		C	1	
5	A6DTPP0500	Separating Pad		C	1	
6	A6DTPP0C00	Guide Assy		C	1	
7	A6DTPP0D00	Roller		C	1	
8	A6DTPP0900	Roller		C	1	
9	A6DTPP0A00	Roller		C	1	

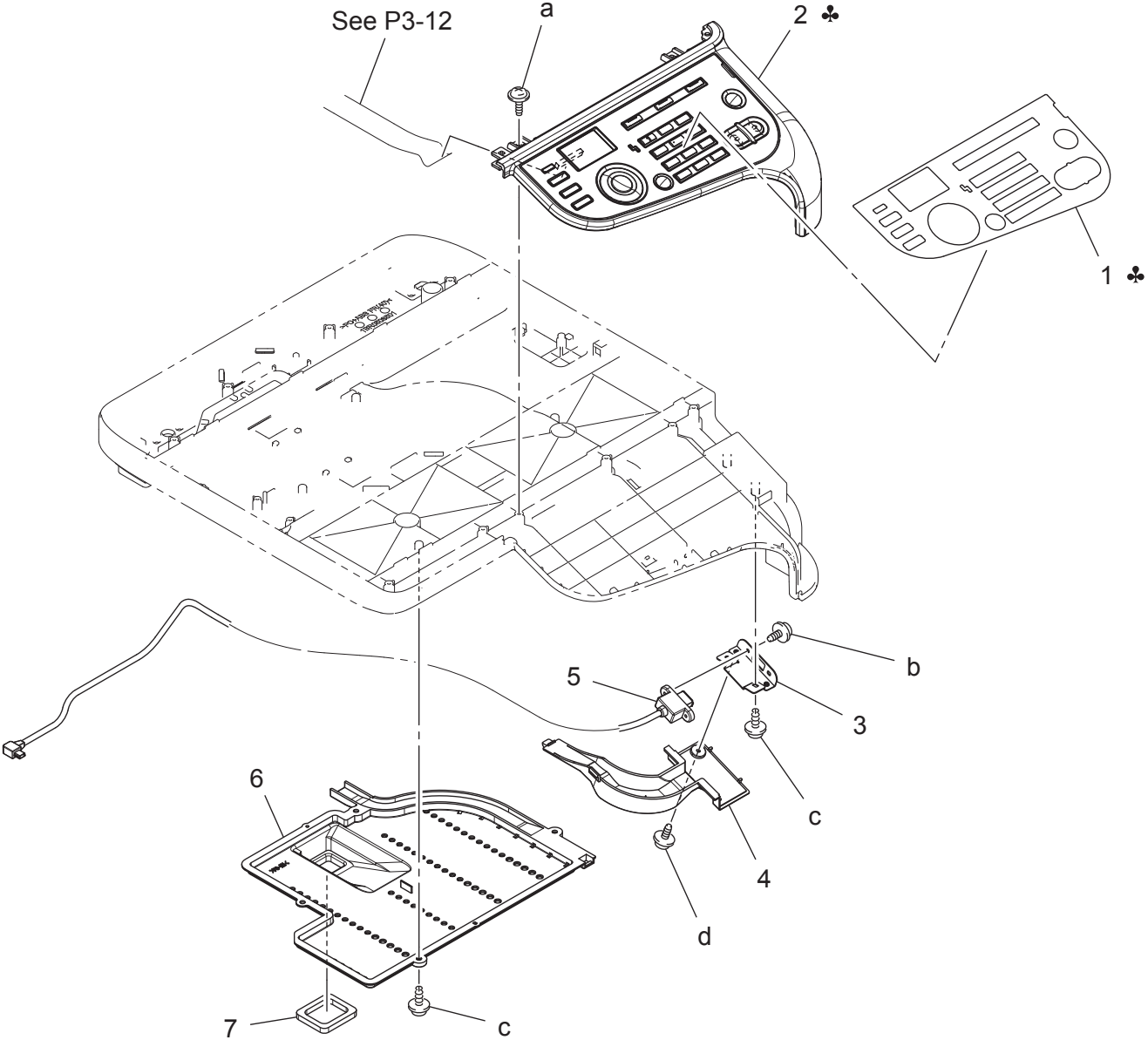
IR UNIT

改訂版 REVISED EDITION	日付 DATE
▲	AUGUST 2014



Key	Part No.	Description	Destinations	Class	QTY	Standard parts
1	A6DTPP0W00	OPTICAL UNIT		S	1	a-A6DTPP0E00 b-A6DTPP0Y00
2	A6DTPP0N00	Flatcable		C	1	
3	A6DTPP0X00	Guide Film		D	1	
4	A6DTPP0P00	CIS Assy		I	1	
5	A6DTPP0J00	Pressure Spring		D	1	
6	A2YFPP5800	Timing Belt		C	1	
7	A2YFPP1500	Pulley Assy		D	1	
8	A6DTPP0R00	Shaft		D	1	
9	A6DTPP0Q00	Frame		D	1	
10	A6DTPP0V00	Plate Spring		D	1	
11	A6DTPP0U00	Tape		D	7	
12	A6DTPP0S00	Flatcable		D	1	
13	A6DTPP0T00	Ferritecore		D	1	
14	A6DTPP0K00	Driving Assy		C	1	
15	A6DTPP0M00	Earth ground		D	1	
16	A6DTPP0F00	Cover/IR Assy		C	1	
17	A6DTPP0G00	Label Scale		D	1	
18	A3EW944600	Label	A,A1	C	1	
19	A0HF952400	Label		C	1	

OPERATION PANEL SECTION

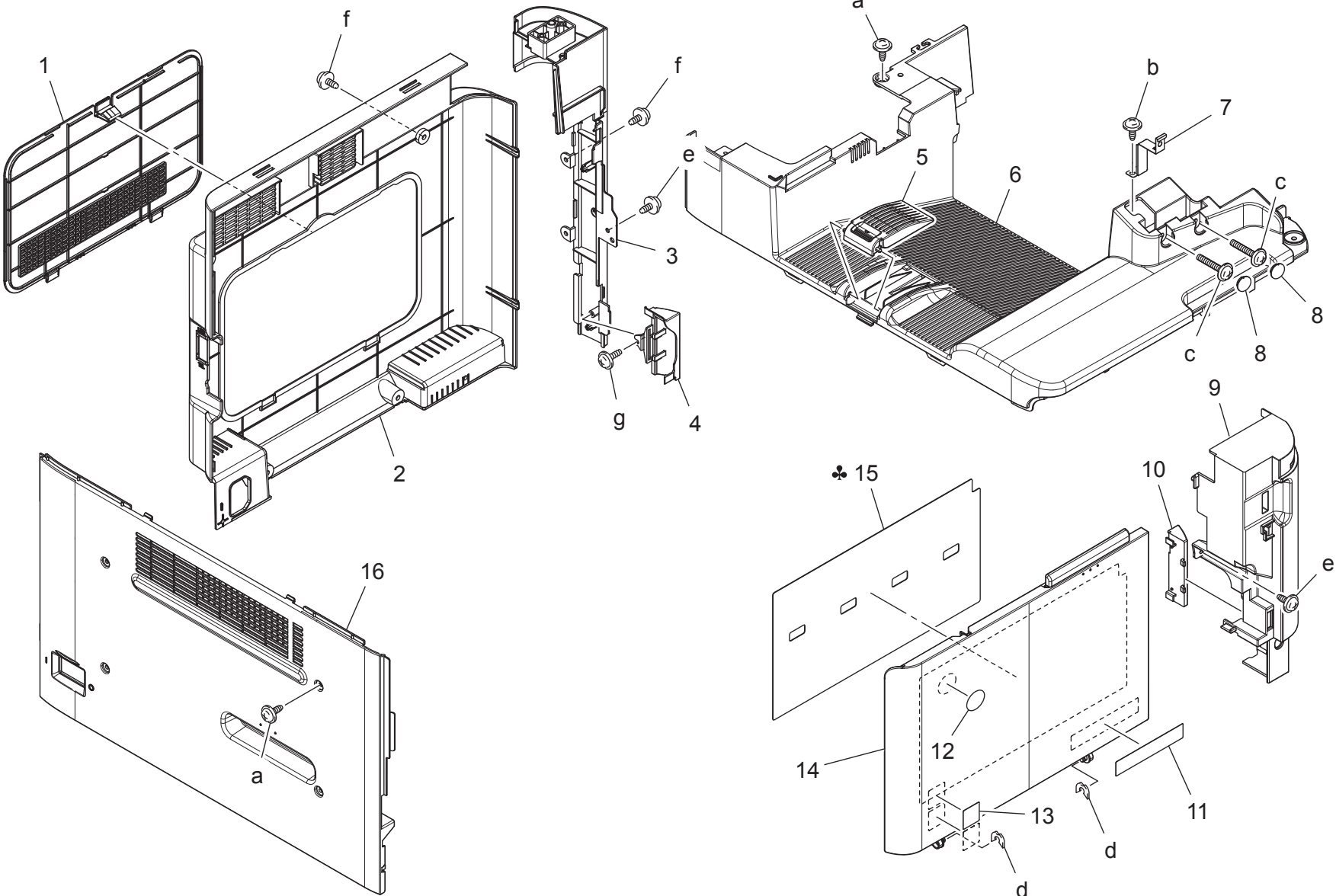




# OPERATION PANEL SECTION

Key	Part No.	Description	Destinations	Class	QTY	Standard parts
1	A6DT950800	Panel Sheet (Japanese)	A,A1	C	1	a-A6DTPP0E00 b-V116030603 c-V153030803 d-V137030603
1	A6DT950100	Panel Sheet (English)	B,G2,H	C	1	
1	A6DT950600	Sheet	J	C	1	
2	A2YFPP1700	Panel assembly	A,A1	I	1	
2	A2YFPP1600	Panel assembly	B,C,D1,D3,E,F2,G1,G 2,H,I,K	I	1	
2	A6DTPP1100	Panel Assembly	J	I	1	
3	A2YF161701	Mounting Plate		D	1	
4	A2YF138300	Cover		D	1	
5	A6DRN12100	Cable		D	1	
6	A2YF105300	Duct		D	1	
7	A2YF105400	Seal		D	1	


EXTERNAL PARTS

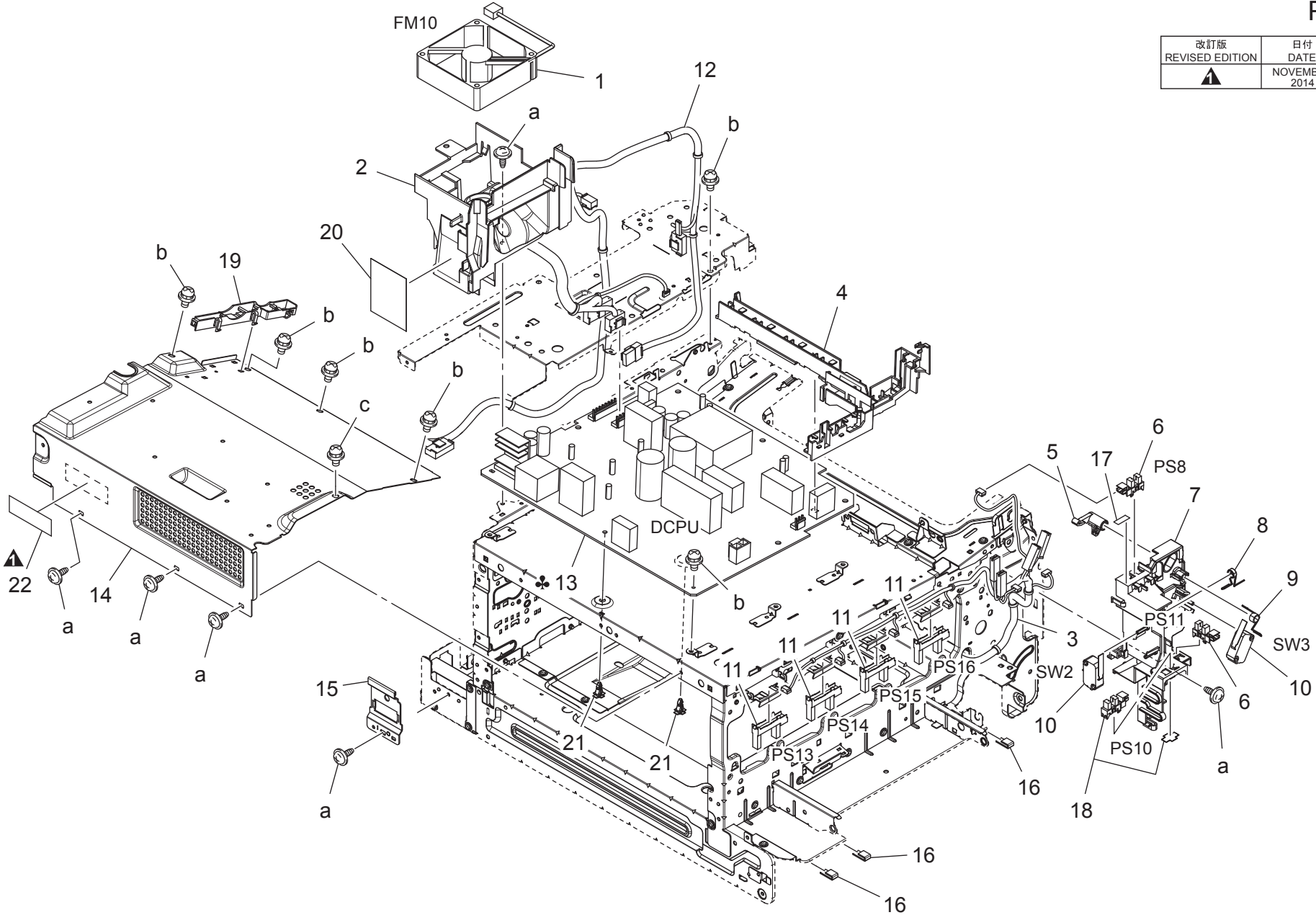


EXTERNAL PARTS

Key	Part No.	Description	Destinations	Class	QTY	Standard parts
1	A6DR160903	Cover		C	1	a-V137030804 b-V137030603 c-V151041403 d-V218040086 e-V137030803 f-V116030804 g-V153030803
2	A6DT163001	Cover		C	1	
3	A6DT160300	Cover /Right rear		C	1	
4	A0VD166501	Cover		D	1	
5	A2YF161800	Tray		D	1	
6	A2YF160102	Cover		D	1	
7	A2YF138800	Ground Plate		D	1	
8	A02E167800	Cover		C	2	
9	A2YF160501	Cover /Right front		D	1	
10	A0VD166401	Cover		D	1	
11	A6DT941800	Label bizhub C3110		C	1	
12	A00F942000	Label Logo Mark		C	1	
13	A011946200	Label Emperon		D	1	
14	A2YF160400	Cover /Front		C	1	
15	A6DT942000	Sheet	A,A1	C	1	
15	A0VD941801	Sheet	B,C,D1,D3,E,F2,G1,G 2,H,I,K,J	C	1	
16	A6DT160200	Cover		C	1	

# POWER SUPPLY SECTION

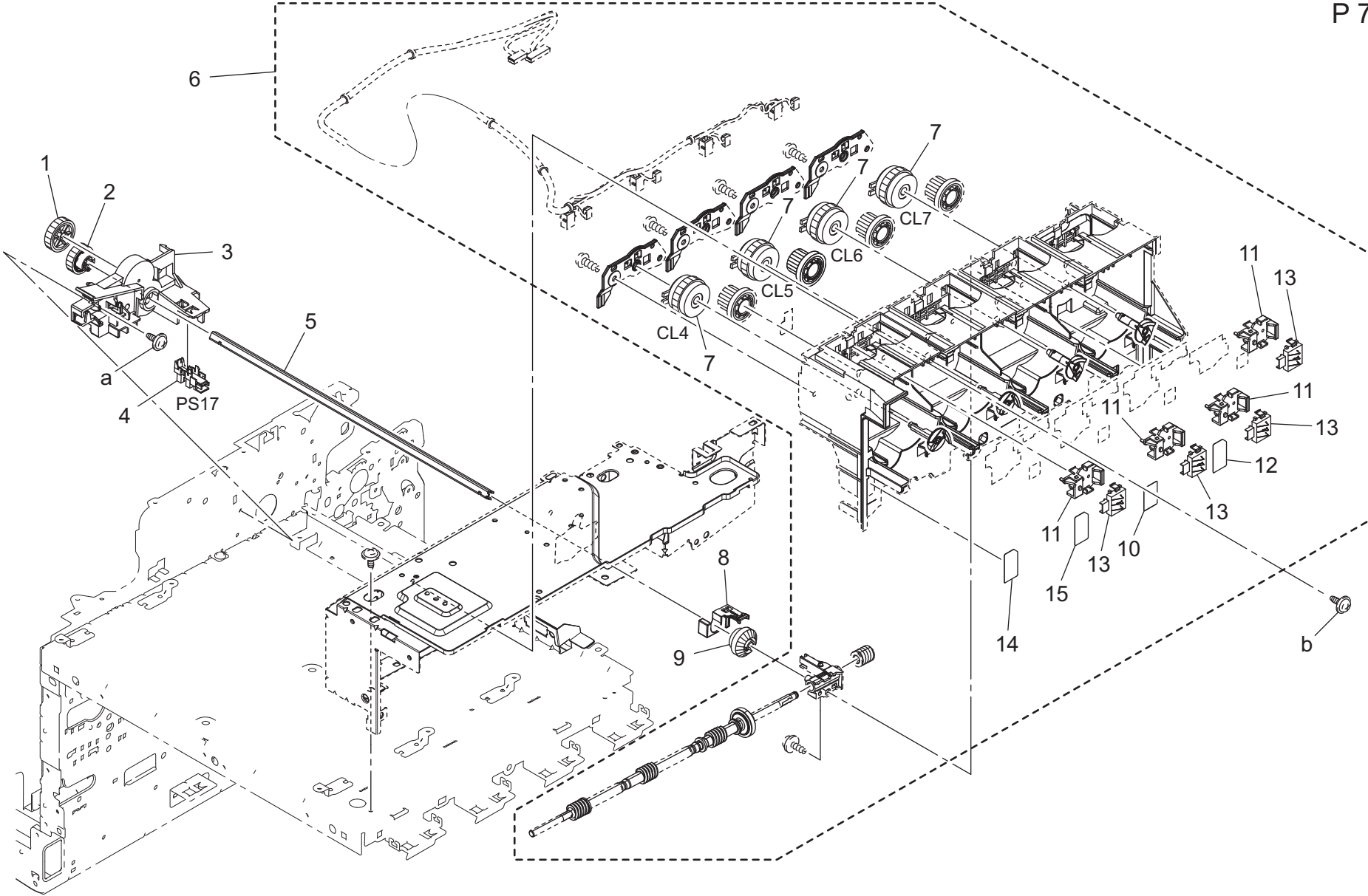
改訂版 REVISED EDITION	日付 DATE
	NOVEMBER 2014



POWER SUPPLY SECTION

Key	Part No.	Description	Destinations	Class	QTY	Standard parts
1	4139M10000	FAN MOTOR		B	1	a-V137030603 b-V116030603 c-V118030603
2	A6DR102200	Cooling Duct		D	1	
3	A6DRN10200	Toner Detection harness		D	1	
4	A121104101	Protection Cover		D	1	
5	A0VD135512	Detecting Part		C	1	
6	A108M50100	Photointerrupter		B	2	
7	A0VD135317	Hold Holder		D	1	
8	A0VD135201	Adjusting Spring		D	1	
9	A0VD135402	Torsion Coil spring		D	1	
10	9J06M60100	MICRO SWITCH		C	2	
11	A0VDM50200	Photointerrupter		I	4	A,A1,B,G2,H C,D1,D3,E,F2,G1,I,K ,J
12	A6DTN10100	DC Power source harness /A		D	1	
13	A6DRM40001	DC Power source (100-127V)		I	1	
13	A6DRM40101	DC Power source (220-240V)		I	1	
14	A2YF133100	Frame		C	1	
15	A6DR103001	Mounting Plate		D	1	
16	A121102600	Seal		D	3	
17	A0VD139700	Seal		D	1	
18	A108R90000	PHOTO INTERRUPTER		I	1	
19	A2YF138501	Wiring Guide /1		D	1	
20	A2YF139000	Sheet		C	1	B,G2,H
21	V502010021	spacer		D	2	
22	A5AY943100	Label		C	1	

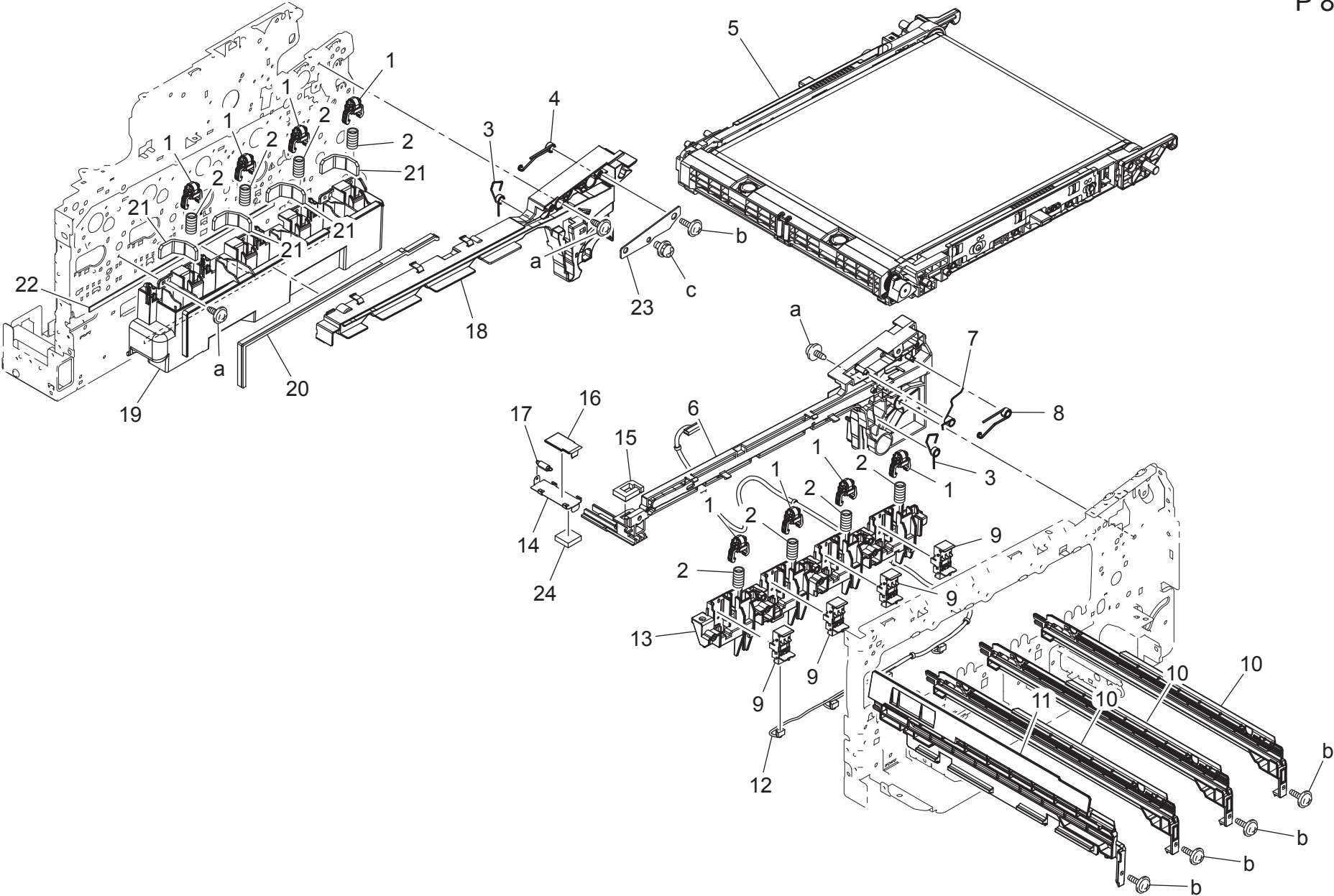
# TONER BOTTLE DRIVE SECTION



TONER BOTTLE DRIVE SECTION

Key	Part No.	Description	Destinations	Class	QTY	Standard parts
1	A0VD236400	Gear 29T		D	1	a-V137030803 b-V137030603
2	A0VD236601	Gear 25T		D	1	
3	A0VD236902	Drive Holder		D	1	
4	A108M50100	Photointerrupter		B	1	
5	A0VD236500	Shaft		D	1	
6	A6DTR70000	Toner bottle Drive Assy		D	1	
7	A0VDM20000	Clutch		C	4	
8	A0VD237400	Stopper		D	1	
9	A0VD237800	Gear 20T		D	1	
10	A0VD491200	Label		C	1	
11	A0VD117500	Mounting Part		D	4	
12	A0VD491300	Label		C	1	
13	A0EDM60001	Relay Connector		D	4	
14	A0VD491000	Label		C	1	
15	A0VD491100	Label		C	1	

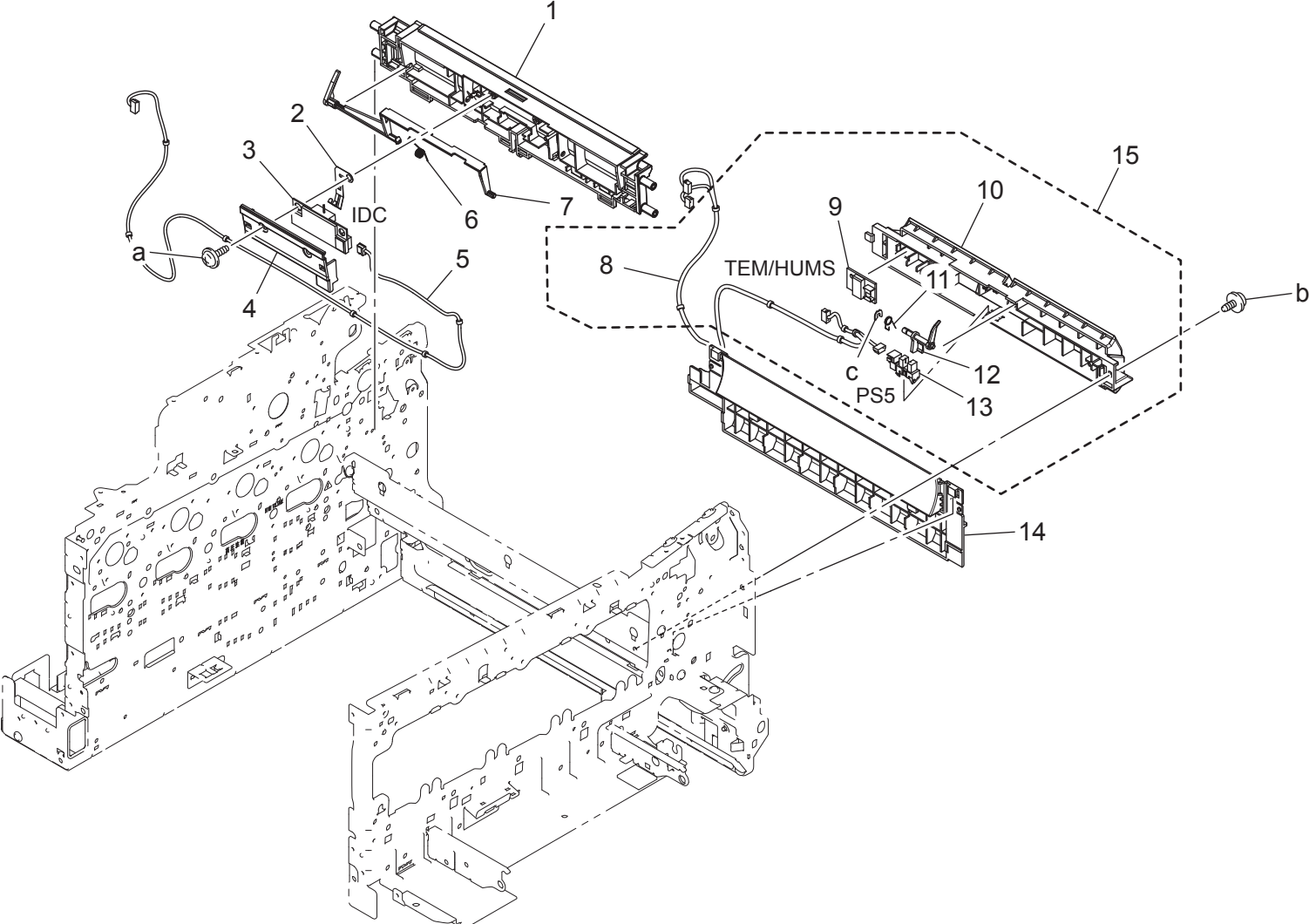
TRANSFER BELT UNIT





# TRANSFER BELT UNIT

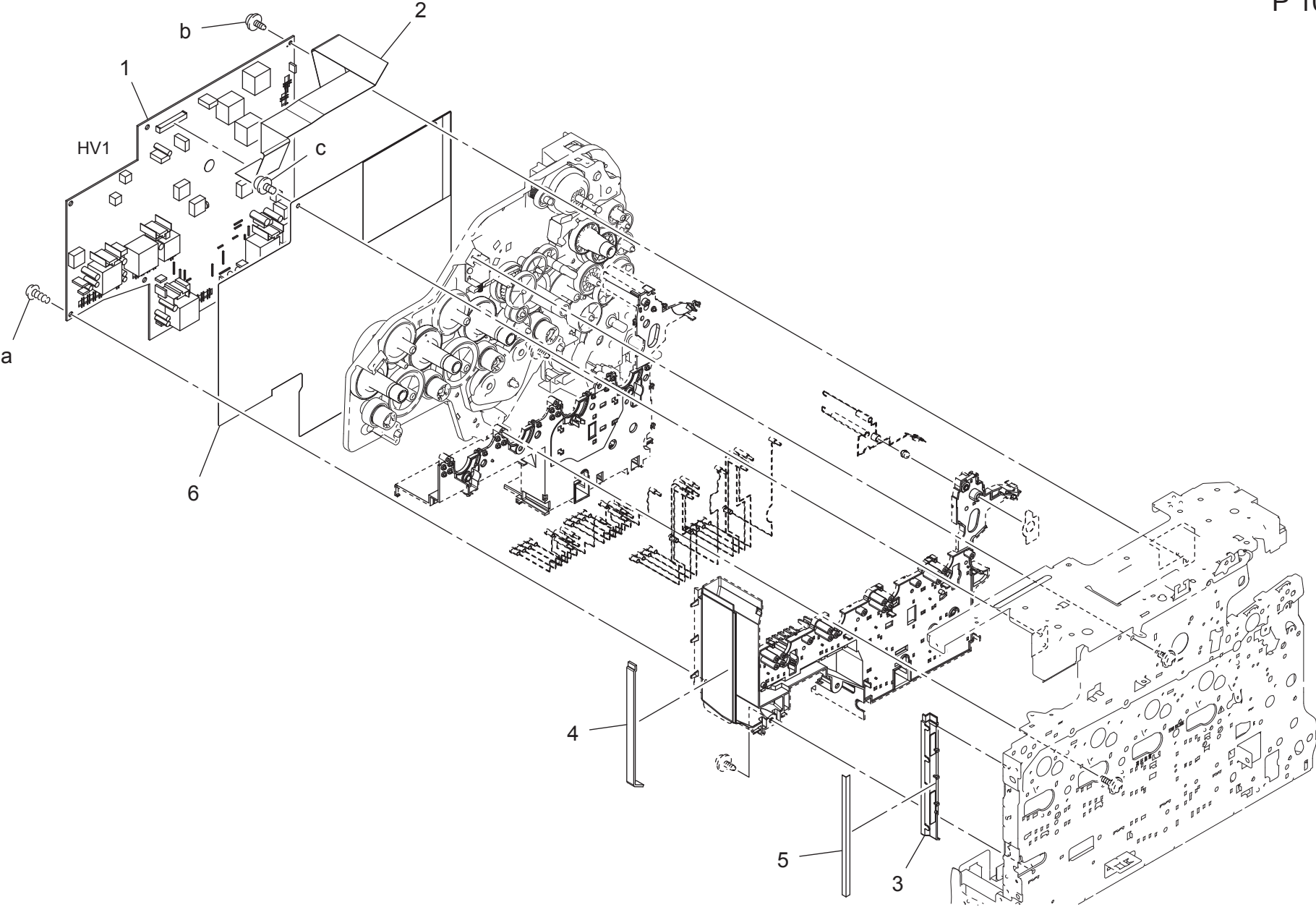
Key	Part No.	Description	Destinations	Class	QTY	Standard parts
1	A0VD111700	Holder		D	8	a-V137030803 b-V153030803 c-V116030603
2	A0VD111600	Compressing Coil spring		D	8	
3	A0VD114101	Torsion Coil spring		D	2	
4	A0VD110500	Torsion Coil spring /Rear		D	1	
5	A1480Y1	Transfer Unit		A	1	
6	A0VD110104	Rail /Front		D	1	
7	A0VD136800	Contact		D	1	
8	A0VD110400	Torsion Coil spring /Front		D	1	
9	A6DR134100	Hold Holder /ASSY		D	4	
10	A0VD112000	Rail		D	3	
11	A0VD111203	Rail		D	1	
12	A6DRN10A00	Photoconductor Wiring		D	1	
13	A0VD111402	Holder /Front		D	1	
14	A0VD362300	Shutter		D	1	
15	A0VD362201	Seal		D	1	
16	A0VD362400	Seal		D	1	
17	A0VD362500	Pulling Coil spring		D	1	
18	A0VD110205	Rail /Rear		D	1	
19	A0VD111502	Duct		D	1	
20	A0VD115100	Seal		D	1	
21	A0VD115301	Seal		D	4	
22	A0VD115200	Seal		D	1	
23	A0VD214700	Mounting Plate		D	1	
24	A0VD363700	Seal		D	1	



# TRANSFER GUIDE SECTION

Key	Part No.	Description	Destinations	Class	QTY	Standard parts
1	A0VD706400	Guide		D	1	a-V153031203 b-V144030803 c-V218030086
2	A0VD706300	Contact		D	1	
3	A0VDM50000	Photo sensing		I	1	
4	A0VD706500	Holder		D	1	
5	A6DRN10D00	Sensor Wiring		D	1	
6	A0VD706203	Torsion Coil spring		D	1	
7	A0VD706102	Cover		D	1	
8	A6DRN10C00	Sensor Wiring		D	1	
9	A0VDM50100	Humidity sensor		I	1	
10	A6DT707300	Guide		C	1	
11	A0VD707201	Torsion Coil spring		D	1	
12	A6DT707100	Actuator		C	1	
13	A108M50100	Photointerrupter		B	1	
14	A0VD707503	Guide		D	1	
15	A6DTR70200	Timing Roller Guide		I	1	

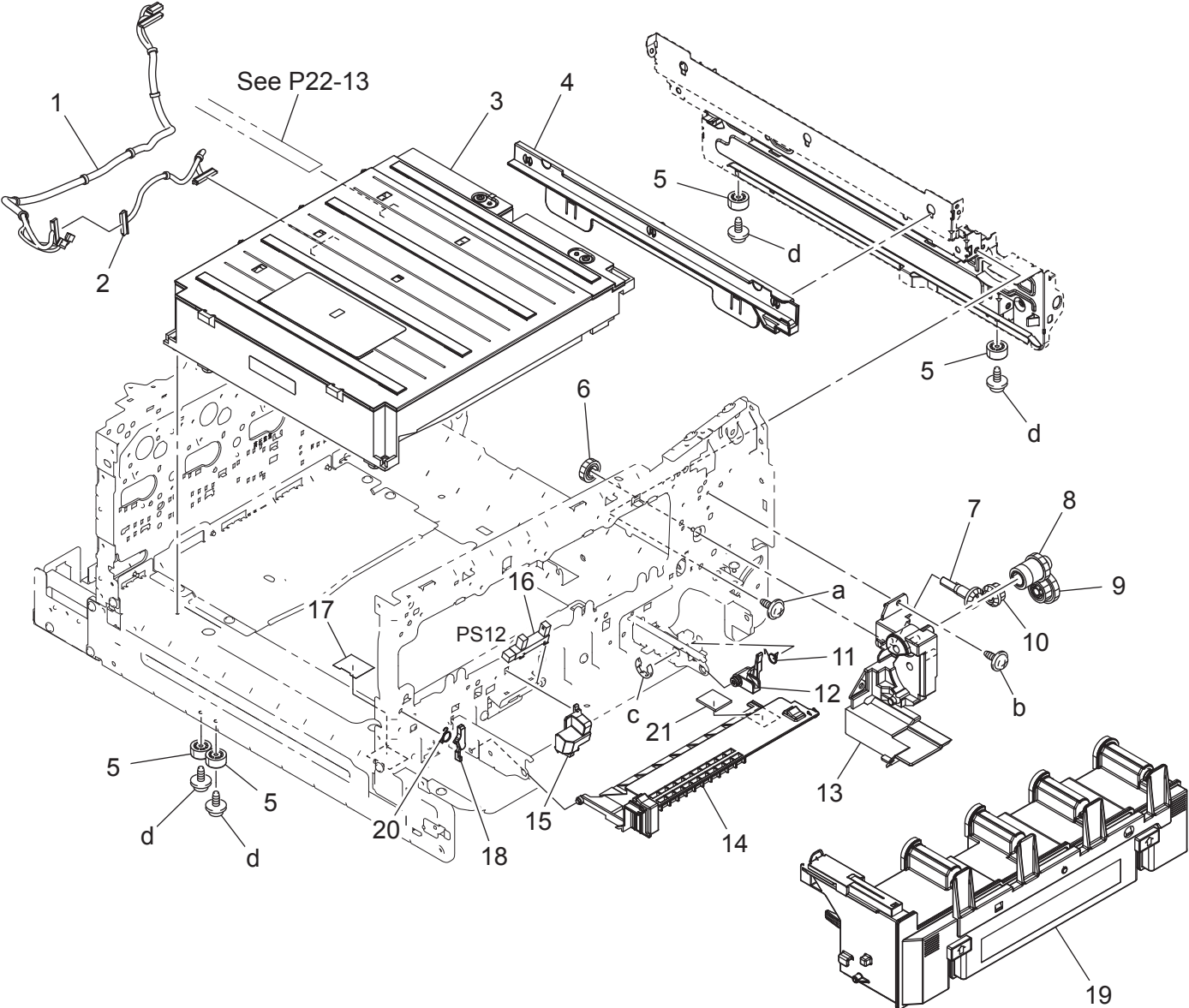
HIGH VOLTAGE SECTION



# HIGH VOLTAGE SECTION

Key	Part No.	Description	Destinations	Class	QTY	Standard parts
1	A0VDM40402	High voltage unit		I	1	a-V149031003 b-V137030603 c-V116030603
2	A6DRN11100	HV Flatcable		D	1	
3	A0VD139401	Duct /2		D	1	
4	A0VD139500	Seal		D	1	
5	A0VD134500	Sheet		C	1	
6	A6DR134401	Insulating Sheet		D	1	

PRINT HEAD SECTION

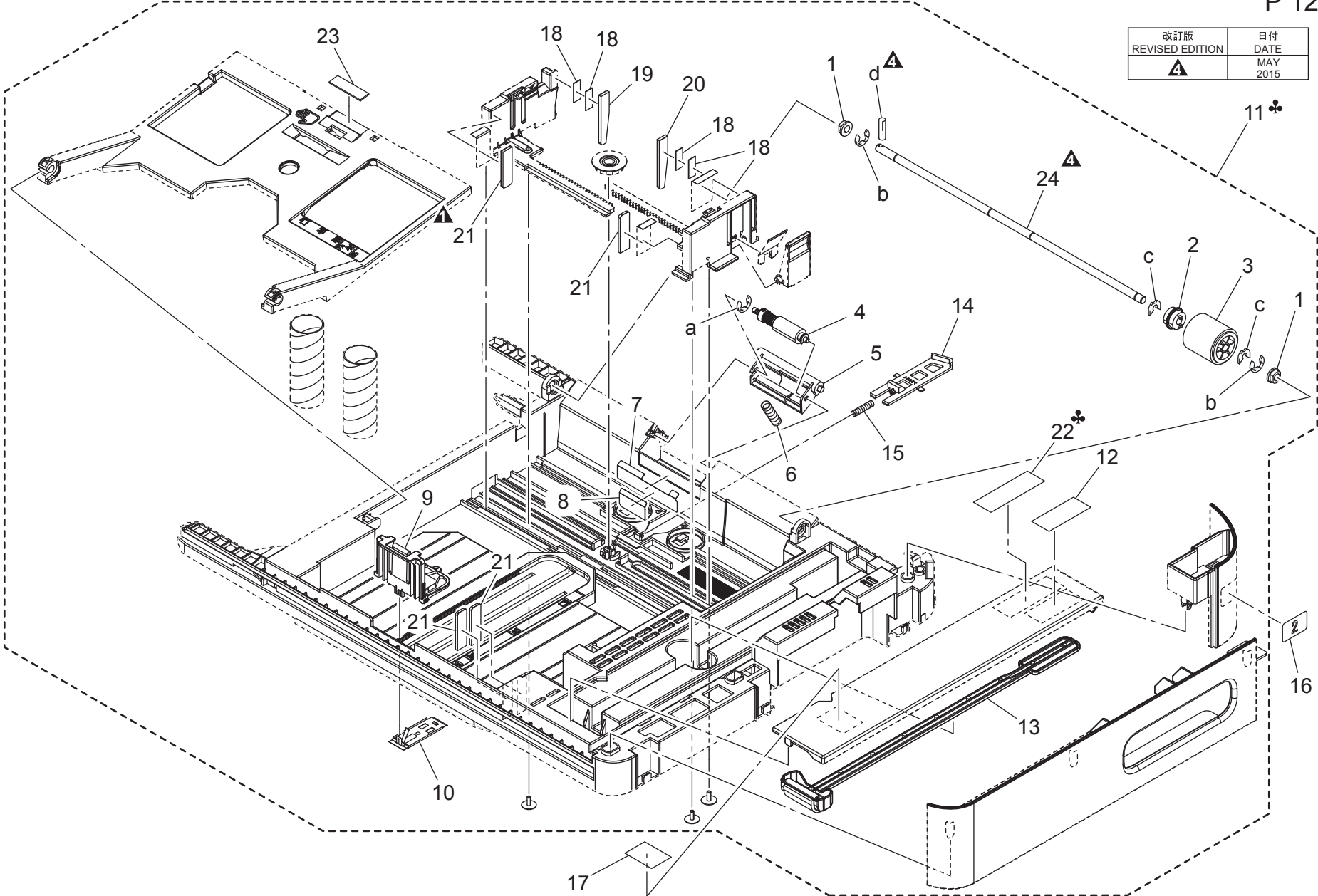


PRINT HEAD SECTION

Key	Part No.	Description	Destinations	Class	QTY	Standard parts
1	A6DRN10P01	LD Relay harness		D	1	a-V144030803 b-V144030803 c-V217060001 d-V116031003
2	A6DRN10N00	LD Wiring		D	1	
3	A73JR70011	Print Head Assy		I	1	
4	A0VD111302	Rail		D	1	
5	0996305501	RUBBER FOOT		C	4	
6	A0VD235700	Gear 16T		C	1	
7	A0VD235400	Gear 16T		D	1	
8	A0VD235600	Gear 16/26T		D	1	
9	A0VD235900	Gear 22/30T		D	1	
10	A0VD235500	Gear 16/16T		D	1	
11	A0VD362702	Torsion Coil spring		D	1	
12	A0VD362602	Lever		D	1	
13	A0VD235101	Drive Holder		D	1	
14	A0VD108703	Cover		D	1	
15	A0VD136701	Hold Holder		D	1	
16	9335140051	SOLID STATE SWITCH		B	1	
17	A0VD109400	Scatteringprevention Seal		D	1	
18	A0VD107401	Stopper		D	1	
19	A1AU0Y1	Waste Toner Bottle	A, A1, D1, D3, E, F 2, G1, G2, H, I, K	A	1	
19	A1AU0Y3	Waste Toner Bottle	B,C	A	1	
20	A0VD107500	Torsion Coil spring		D	1	
21	A0VD109001	Spacer		C	1	

# CASSETTE SECTION

改訂版 REVISED EDITION	日付 DATE
▲	MAY 2015



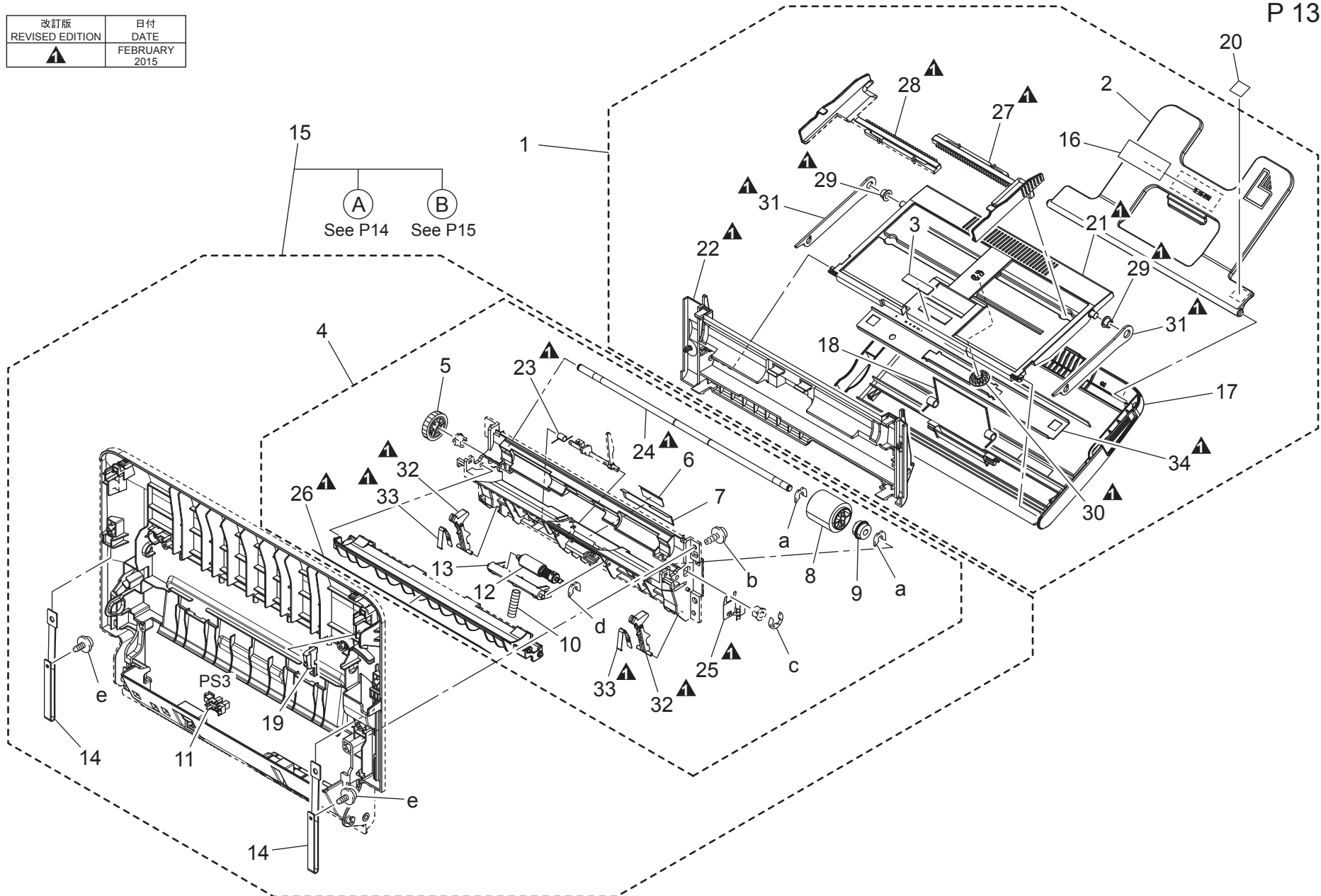


# CASSETTE SECTION

Key	Part No.	Description	Destinations	Class	QTY	Standard parts
1	4138324401	BUSHING		C	2	a-V217030001 b-V217040001 c-V218040086 d-V232301850
2	4030303401	CLUTCH		C	1	
3	4138303202	ROLLER		B	1	
4	4658015106	Roller Assy		A	1	
5	A0VD621100	Holder		D	1	
6	A0VD624800	Compressing Coil spring		C	1	
7	4131305601	GUIDE PLATE		C	1	
8	4131305702	GUIDE		C	1	
9	A0VD623101	Regulating Plate		D	1	
10	A0VD623200	Mounting Plate		D	1	
11	A0VDR72533	Cassette Assy	カセット A S S Y	D	1	B, C, D1, D3, E, F2 , G1, G2, H, I, K A,A1
11	A6DRR71500	Cassette Assy	カセット A S S Y (国内)	D	1	
12	4138731601	Label Prohibition inkjet media	ラベル	D	1	
13	A0VD108902	Cleaning Part	クリーニング部材	C	1	
14	A0VD622102	Lock Lever	ロックレバー	D	1	
15	1164306201	PRESSURE SPRING	圧縮コイルばね	C	1	
16	A121943200	Label 2	ラベル (カセット NO. 表示-2)	C	1	
17	A2YF945100	Label Paper Direction	ラベル (用紙表示方向・MPC)	D	1	
18	A6DR626500	Spacer	スペーサ	D	4	
19	A6DR626700	Cushion	クッション	C	1	
20	A6DR626900	Cushion	クッション	C	1	
21	A6DR627000	Cushion	クッション	C	4	
22	A6DR947100	Label	ラベル (サイド規制操作)	C	1	
23	0978381101	FRICTION SHEET	摩擦板	C	1	
24	4138303101	SHAFT	シャフト	D	1	

# VERTICAL CONVEYANCE SECTION


改訂版 REVISED EDITION	日付 DATE
▲	FEBRUARY 2015

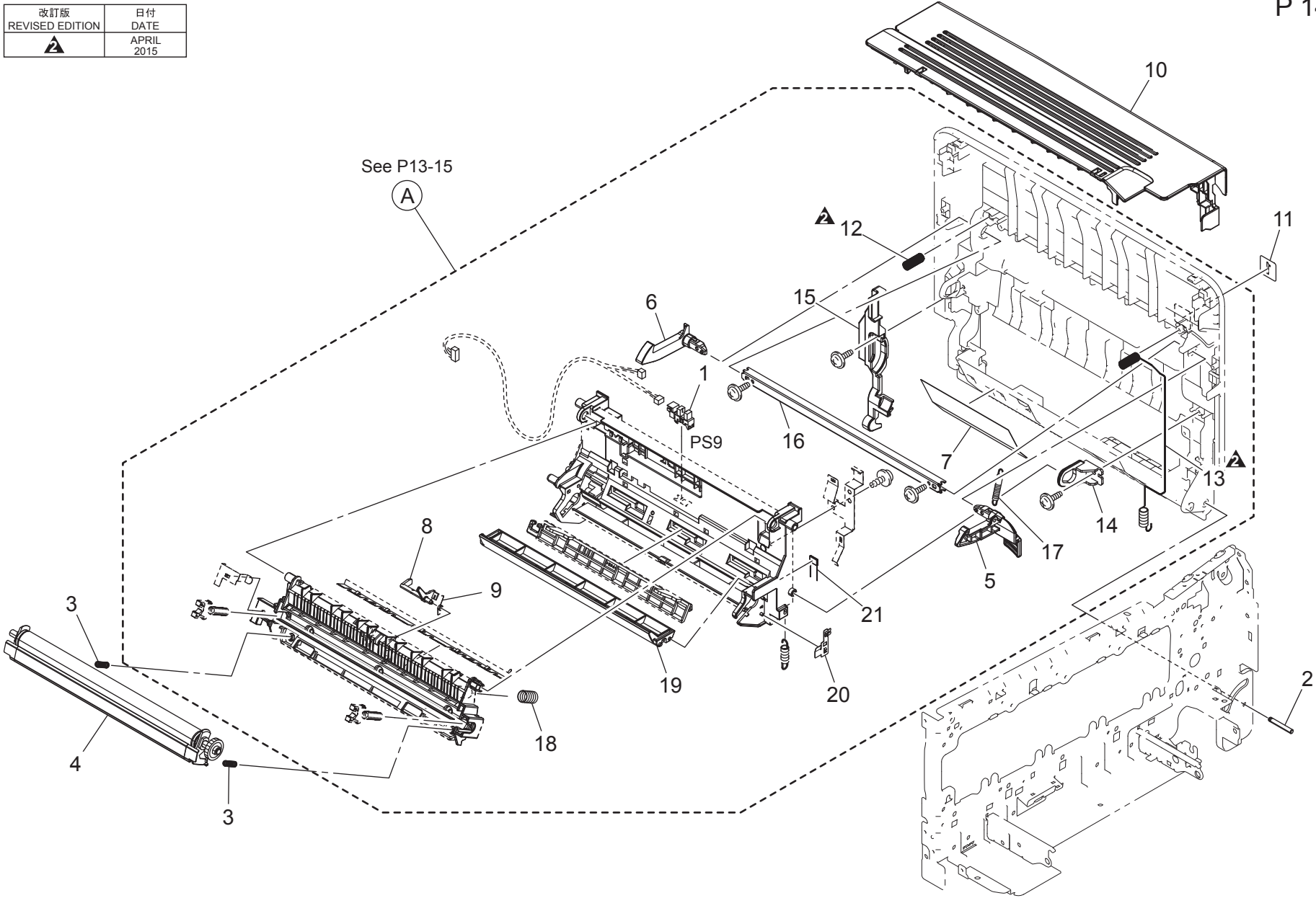


VERTICAL CONVEYANCE SECTION

Key	Part No.	Description	Destinations	Class	QTY	Standard parts
1	A0VDR71600	Manual Feed Tray Unit		C	1	a-V218040086 b-V153030803 c-V217040001 d-V218030086 e-V137030603
2	A0VD561700	Tray		C	1	
3	4138325501	FRICITION SHEET		C	1	
4	A0VDR71300	Manual Paper Feed Assy		C	1	
5	A0VD561301	Gear 20T		D	1	
6	A0VD561800	Guide		C	1	
7	4131305601	GUIDE PLATE		C	1	
8	4138303202	ROLLER		B	1	
9	4030303401	CLUTCH		C	1	
10	A0VD624800	Compressing Coil spring		C	1	
11	A108M50100	Photointerrupter		B	1	
12	4658015106	Roller Assy		A	1	
13	A0VD621100	Holder		D	1	
14	A0VD162300	Open/close Stopper		D	2	
15	A6DTR70100	Vertical Conveyance Assy		D	1	
16	4138731601	Label Prohibition inkjet media		D	1	
17	A0VD560202	Bypass Tray		C	1	
18	4138325201	TORSION SPRING		C	1	
19	A0VD168200	Stopper		D	1	
20	A2YF945200	Label Paper Direction		C	1	
21	A00F565101	Lifting plate		C	1	
22	A0VD560402	Frame		D	1	
23	A0VD560601	Torsion Coil spring		C	1	
24	A0VD560802	Shaft		D	1	
25	A0VD560900	Ground Plate		D	1	
26	A0VD561502	Guide		D	1	
27	A0VD563101	Regulating Plate		D	1	
28	A0VD563201	Regulating Plate		D	1	
29	4120301901	COLLAR		C	2	
30	4131302702	GEAR 14T		C	1	
31	4138320501	LEVER		C	2	
32	4138323602	STOPPER		D	2	
33	4138323701	PLATE SPRING		D	2	
34	4138325301	REINFORCE PLATE		D	1	

# VERTICAL CONVEYANCE SECTION


改訂版 REVISED EDITION	日付 DATE
	APRIL 2015

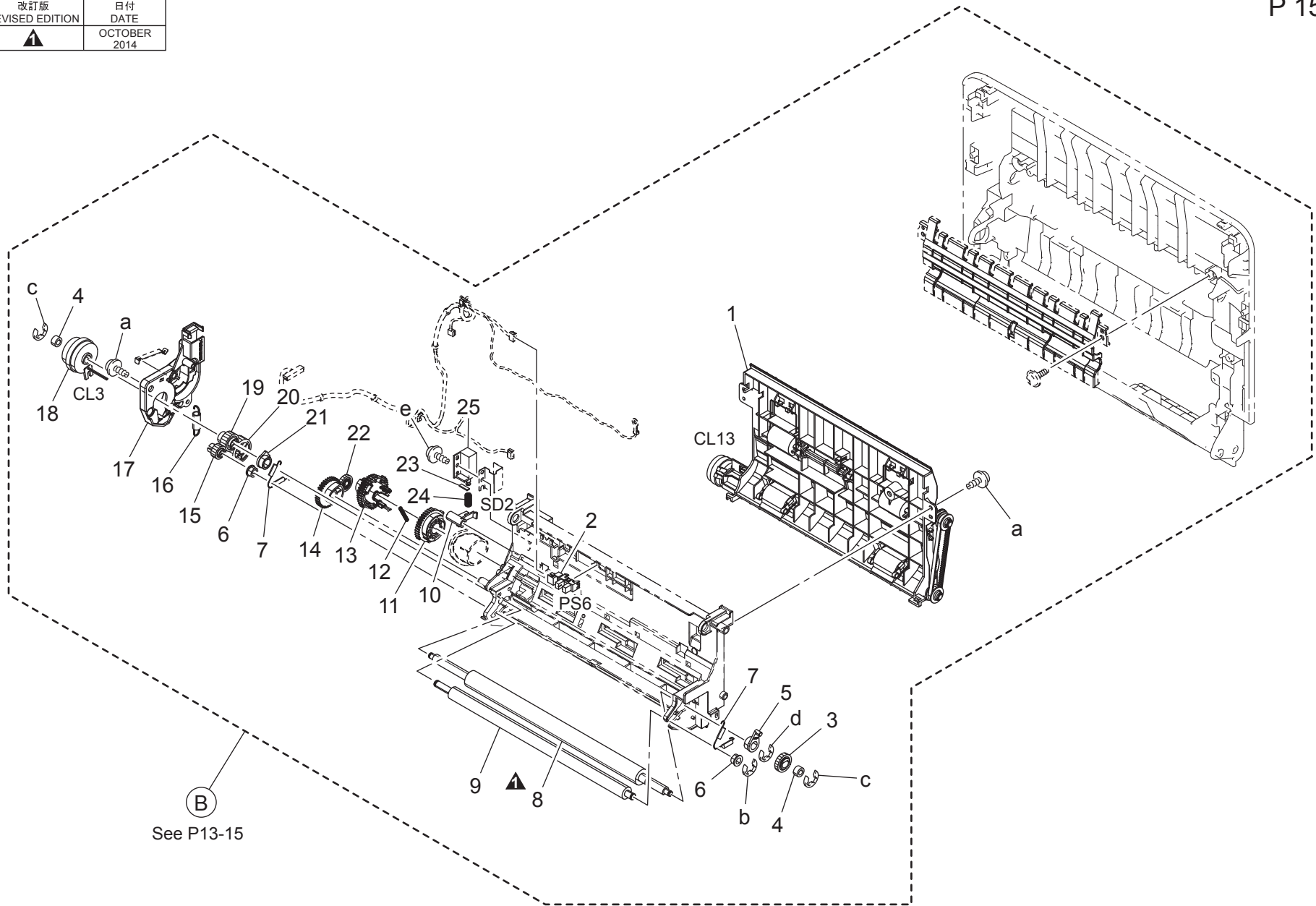


VERTICAL CONVEYANCE SECTION

Key	Part No.	Description	Destinations	Class	QTY	Standard parts
1	A108M50100	Photointerrupter		B	1	
2	A0VD162101	Shaft		D	1	
3	A0VD701701	Compressing Spring		C	2	
4	A1480Y2	2nd Transfer Roller		A	1	
5	A0VD163600	Lever /Front		D	1	
6	A0VD163400	Lever /Rear		D	1	
7	A0VD161600	Guide		D	1	
8	A0VD700202	Actuator		C	1	
9	A0VD700302	Torsion Coil spring		C	1	
10	A2YF160601	Cover		D	1	
11	A6DT941100	Label 1		C	1	
12	A0VD164000	Compressing Coil spring		C	1	
13	A0VD163901	Compressing Coil spring		D	1	
14	A0VD161100	Holder		D	1	
15	A0VD162400	Wiring Cover		D	1	
16	A0VD163200	Mounting Plate		D	1	
17	A0VD163500	Pulling Coil spring		C	1	
18	A0VD701300	Compressing Coil spring		C	1	
19	A0VD702700	Guide Plate		D	1	
20	A6DR702600	Ground Plate		D	1	
21	V800400032	FIXED LEAD RESISTORS		D	1	

# VERTICAL CONVEYANCE SECTION

改訂版 REVISED EDITION	日付 DATE
	OCTOBER 2014



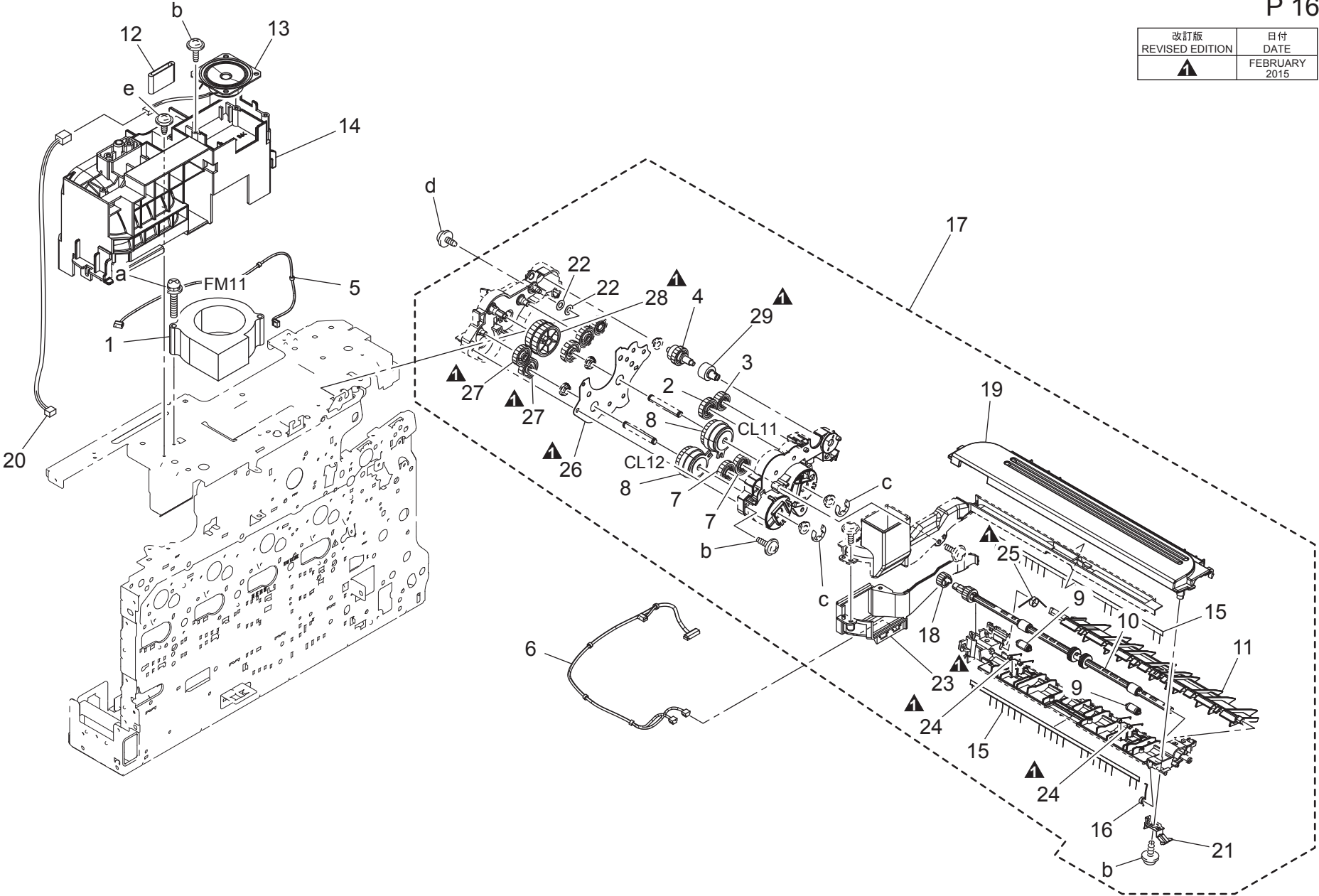
(B)  
See P13-15

VERTICAL CONVEYANCE SECTION

Key	Part No.	Description	Destinations	Class	QTY	Standard parts
1	A0VDR71722	DUP Transport Assy	DUP 搬送 ASSY	C	1	a-V153030803 b-V217040001 c-V217030001 d-V217060001 e-V153031003
2	A108M50100	Photointerrupter	透過型センサ	B	1	
3	A0VD235301	Gear 16T	ギア 16 T	C	1	
4	4138352802	ROLL	ころ	C	2	
5	A0VD702300	Bushing	すべり軸受	D	1	
6	4138353202	BUSHING	軸受	C	2	
7	A0VD702501	Pulling Coil spring	引張りコイルばね (TR 圧接 SP)	D	2	
8	A3GN702100	Roller	ローラ	C	1	
9	A0VD702902	Roller	ローラ (TR 従動)	D	1	
10	A0VD704700	Lever	レバー (ソレノイド ONOFF 用)	D	1	
11	A0VD704400	Gear 32T	ギア 32 T	D	1	
12	A034563800	Compressing Spring	圧縮ばね (欠歯)	D	1	
13	A0VD704300	Gear 35/42T	ギア 35 / 42 T	D	1	
14	A0VD705101	Gear 35T	ギア 35 T	D	1	
15	A0VD703001	Gear 15T	ギア 15 T	D	1	
16	A0VD703700	Pulling Coil spring	引張りコイルばね (ユニット引込用)	D	1	
17	A0VD705303	Mounting Plate	取付板	D	1	
18	A011M20000	CLUTCH	クラッチ	C	1	
19	A0VD703501	Gear 20T	ギア 20 T	D	1	
20	A0VD704900	Gear 28T	ギア 28 T	D	1	
21	A0VD702400	Bushing	すべり軸受	D	1	
22	A0VD705200	Gear 18T	ギア 18 T	D	1	
23	A034220100	Seal	シール (レバー・消音)	D	1	
24	A034213400	Compressing Spring	圧縮ばね (SL 04)	D	1	
25	A034M20000	Paperfeed Solenoid	給紙ソレノイド	C	1	

# DUP REVERSE DRIVE SECTION

改訂版 REVISED EDITION	日付 DATE
▲	FEBRUARY 2015



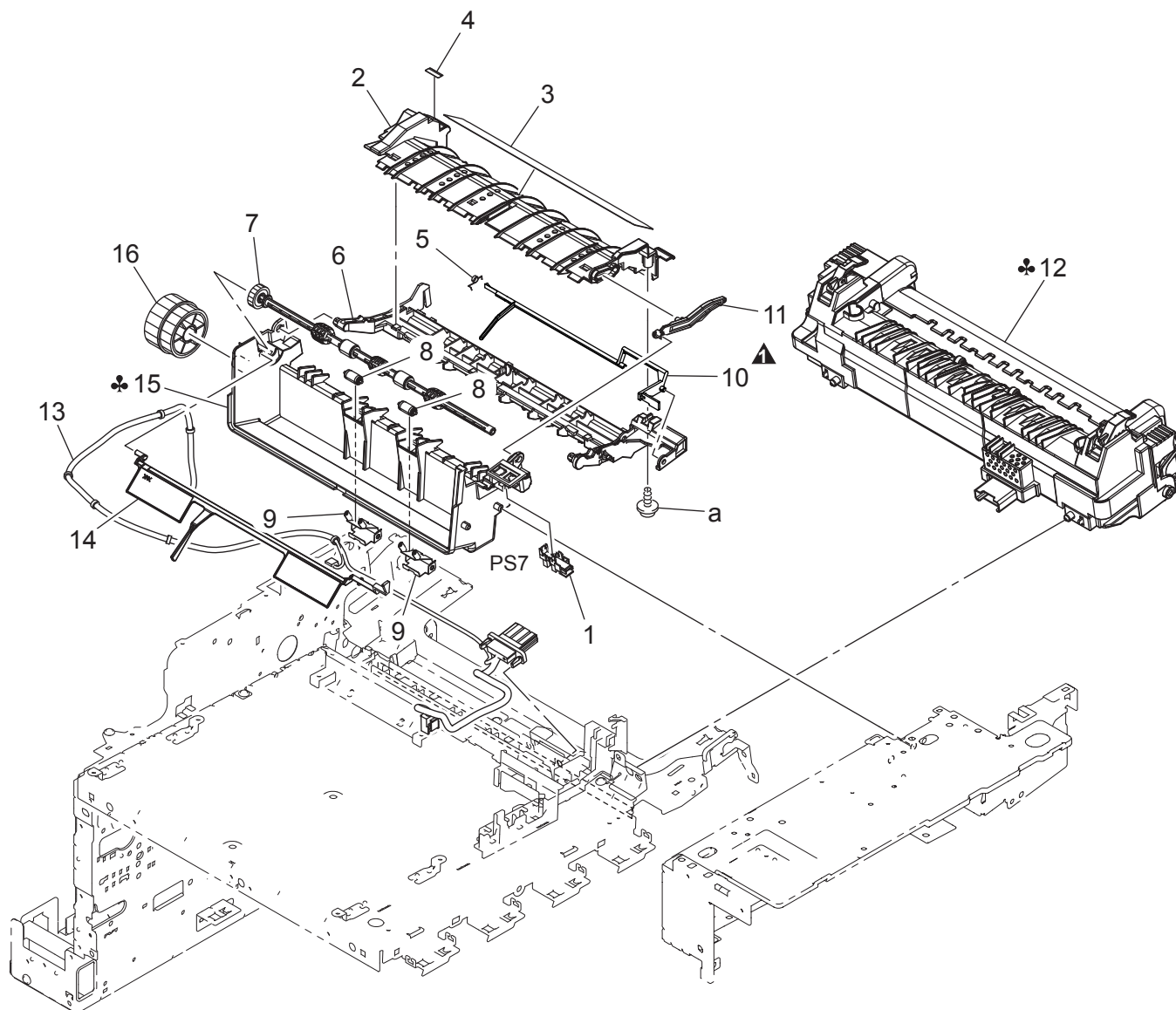


DUP REVERSE DRIVE SECTION

Key	Part No.	Description	Destinations	Class	QTY	Standard parts
1	9313130051	FAN MOTOR		B	1	a-V116033503 b-V153030803 c-V217040001 d-V137030803 e-V137030803
2	A0VD822800	Gear 23T		D	1	
3	A0VD822700	Gear 19T		D	1	
4	A3GN823500	Torque limiter ASSY		C	1	
5	A6DRN10K00	Cooling Wiring		D	1	
6	A6DRN10R00	Conveyance Wiring		D	1	
7	A0VD822400	Gear 18T		D	2	
8	A0VDM20000	Clutch		C	2	
9	A0VD820200	Roll		C	2	
10	A0VD820103	Reverse/exit Roller		D	1	
11	A0VD825600	Guide		D	1	
12	A2YFM70500	Ferritecore		D	1	
13	4040M40100	LOUDSPEAKER		D	1	
14	A6DT133502	Duct		D	1	
15	A0VD894101	Neutralizing Brush		D	2	
16	A121820800	Torsion Coil spring		C	1	
17	A2YFR70211	DUP Reverse Drive Assy		D	1	
18	A0VD821100	Gear 14T		D	1	
19	A0VD820403	Guide /Upper		D	1	
20	A6DTN12200	Relay harness		D	1	
21	A0VD820900	Contact		D	1	
22	A6DR819900	Spacer		D	2	
23	A0VD814000	Duct		D	1	
24	A0VD820300	Torsion Coil spring		C	2	
25	A0VD820700	Torsion Coil spring		C	1	
26	A0VD822300	Drive Side plate		D	1	
27	A0VD822500	Gear 24T		C	2	
28	A0VD822600	Gear 36/37T		C	1	
29	A0VD823300	Clutch		C	1	

# FUSING SECTION

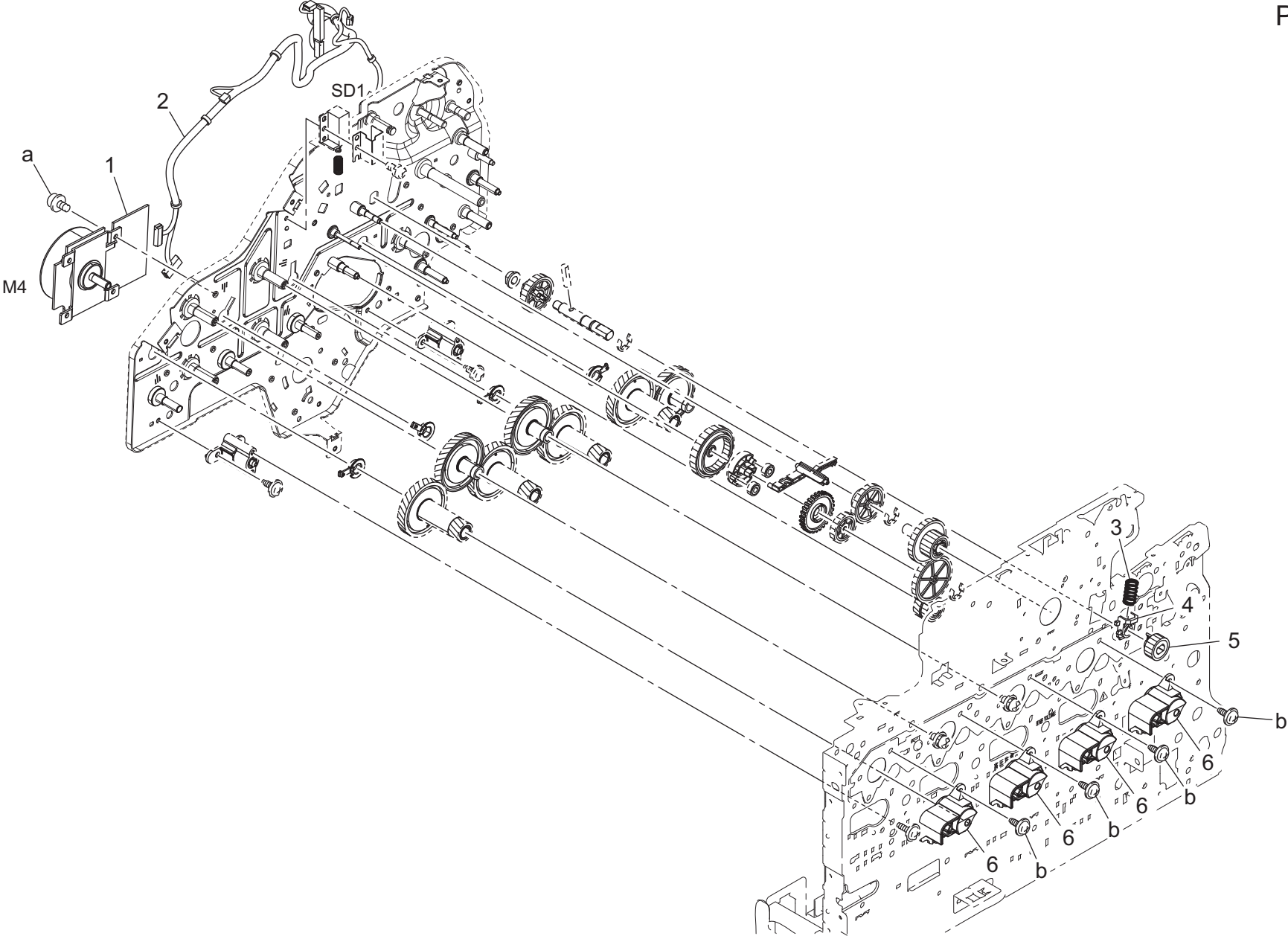
改訂版 REVISED EDITION	日付 DATE
▲	MAY 2015



FUSING SECTION

Key	Part No.	Description	Destinations	Class	QTY	Standard parts
1	A108M50100	Photointerrupter		B	1	a-V153030803
2	A121902500	Guide		D	1	
3	A3GN948300	Label Hi-Temp Caution/Jam		D	1	
4	A0VD949100	Label JAM		D	1	
5	A0VD892400	Torsion Coil spring		D	1	
6	A0VD908101	Guide		D	1	
7	A0VD890102	Paper exit Roller		D	1	
8	A3GN890301	Paper exit Roll		C	2	
9	A0VD890200	Spring		D	2	
10	A6DR892300	Actuator		D	1	
11	A121893002	Lever		C	1	
12	A148002	Fusing Unit (100V)	A,A1	A	1	
12	A148010	Fusing Unit (110-127V)	B,G2,H	A	1	
12	A148022	Fusing Unit (220-240V)	C,D1,D3,E,F2,G1,I,K ,J	A	1	
13	A6DTN10H00	Fixing Relay harness /A		D	1	
14	A2YF891202	Actuator		C	1	
15	A6DT890300	Paper exit Holder	A,A1	D	1	
15	A6DT891100	Paper exit Holder	B,G2,H	D	1	
15	A6DT895300	Paper exit Holder	C,D1,D3,E,F2,G1,I,K ,J	D	1	
16	A0VD890800	Gear 38/40T		D	1	

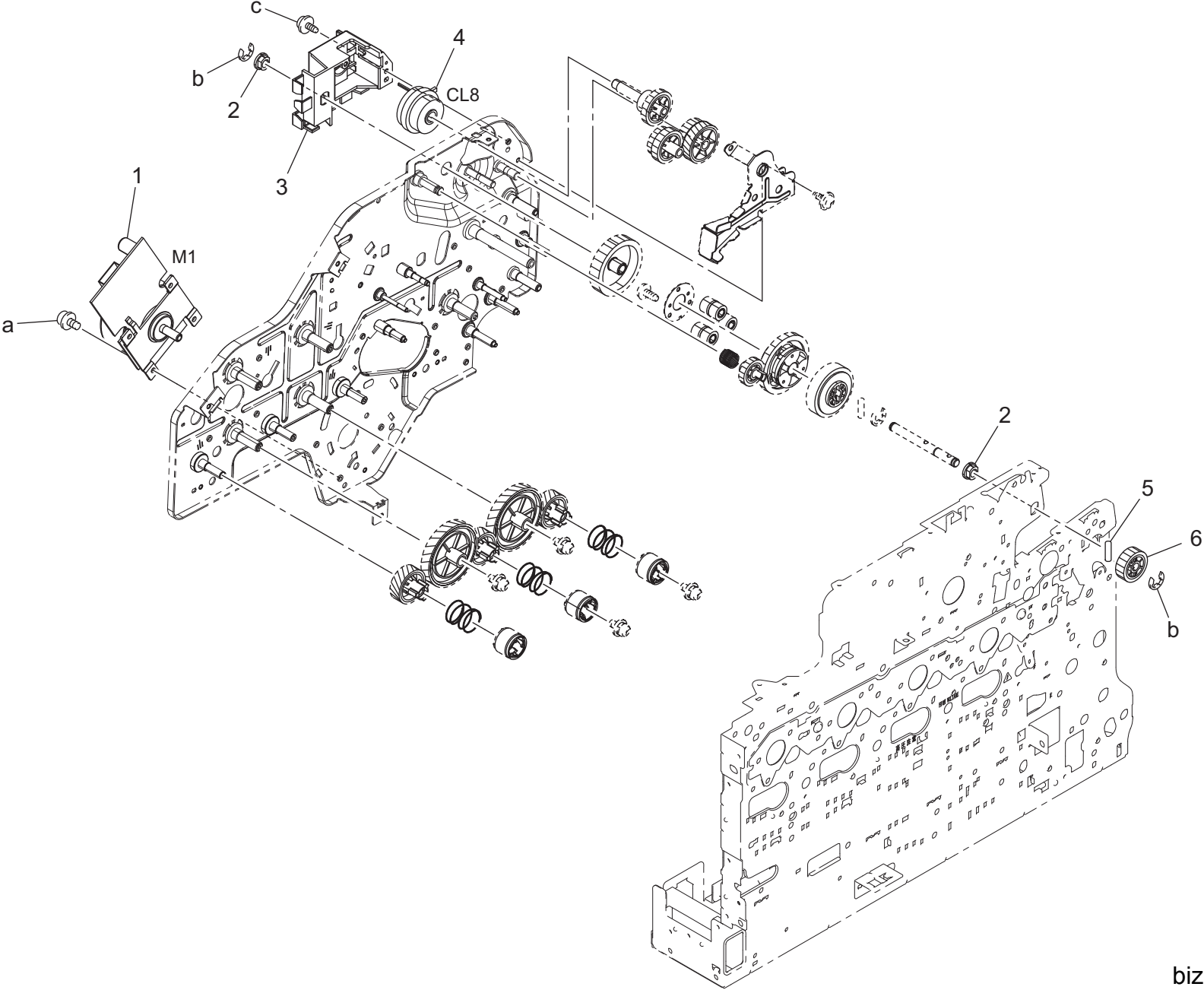
MAIN DRIVE SECTION



# MAIN DRIVE SECTION

Key	Part No.	Description	Destinations	Class	QTY	Standard parts
1	A2YFM10000	Brushless motor		C	1	a-V116030504 b-V137030803
2	A6DRN10500	Main body Drive harness		D	1	
3	A0VD220300	Compressing Coil spring		D	1	
4	A0VD220201	Bushing		D	1	
5	A0VD219800	Gear 20T		C	1	
6	A0VD211303	Hold Plate		D	4	

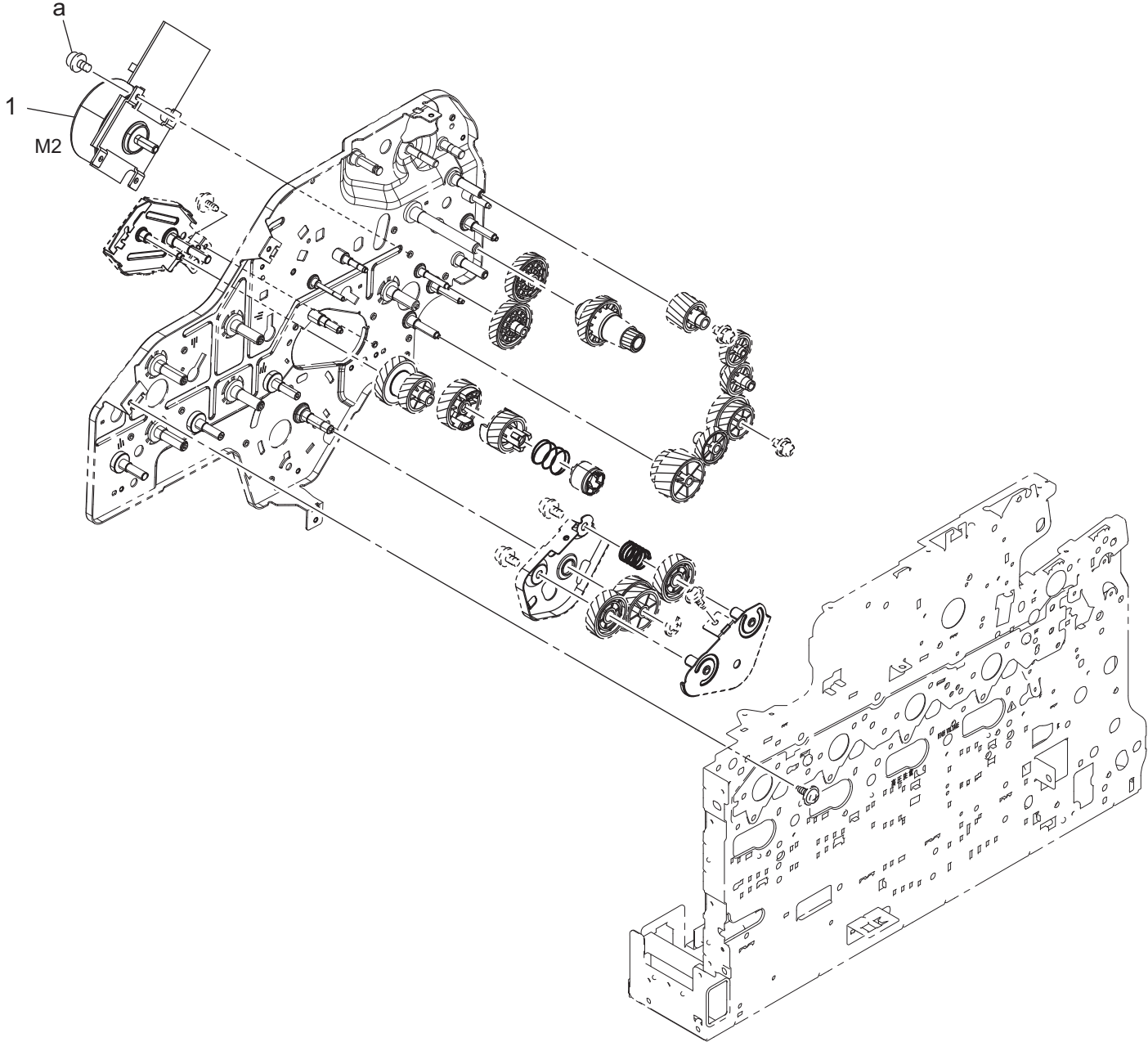
MAIN DRIVE SECTION



# MAIN DRIVE SECTION

Key	Part No.	Description	Destinations	Class	QTY	Standard parts
1	A2YFM10200	Brushless motor		C	1	a-V116030504 b-V217040001 c-V137030803
2	A00F213900	Bearing		C	2	
3	A0VD248501	Mounting Plate /A		D	1	
4	A011M20000	CLUTCH		C	1	
5	4036301401	PIN		C	1	
6	A0VD218301	Gear 21T		C	1	

MAIN DRIVE SECTION



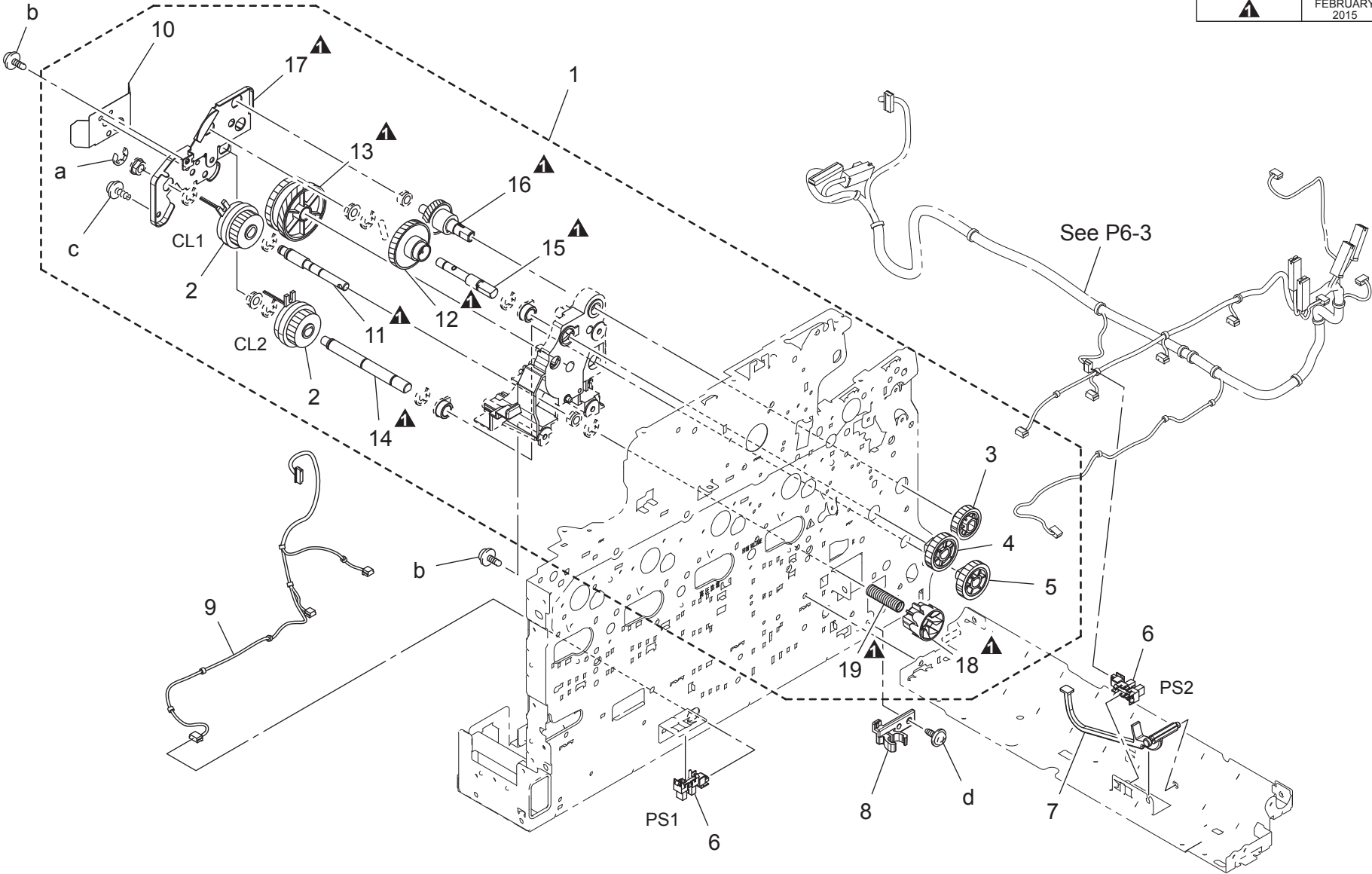


MAIN DRIVE SECTION

Key	Part No.	Description	Destinations	Class	QTY	Standard parts
1	A2YFM10200	Brushless motor ブラシレスモータ (ソフト制御 40W)		C	1	a-V116030504

# PAPER FEED DRIVE SECTION


改訂版 REVISED EDITION	日付 DATE
▲	FEBRUARY 2015

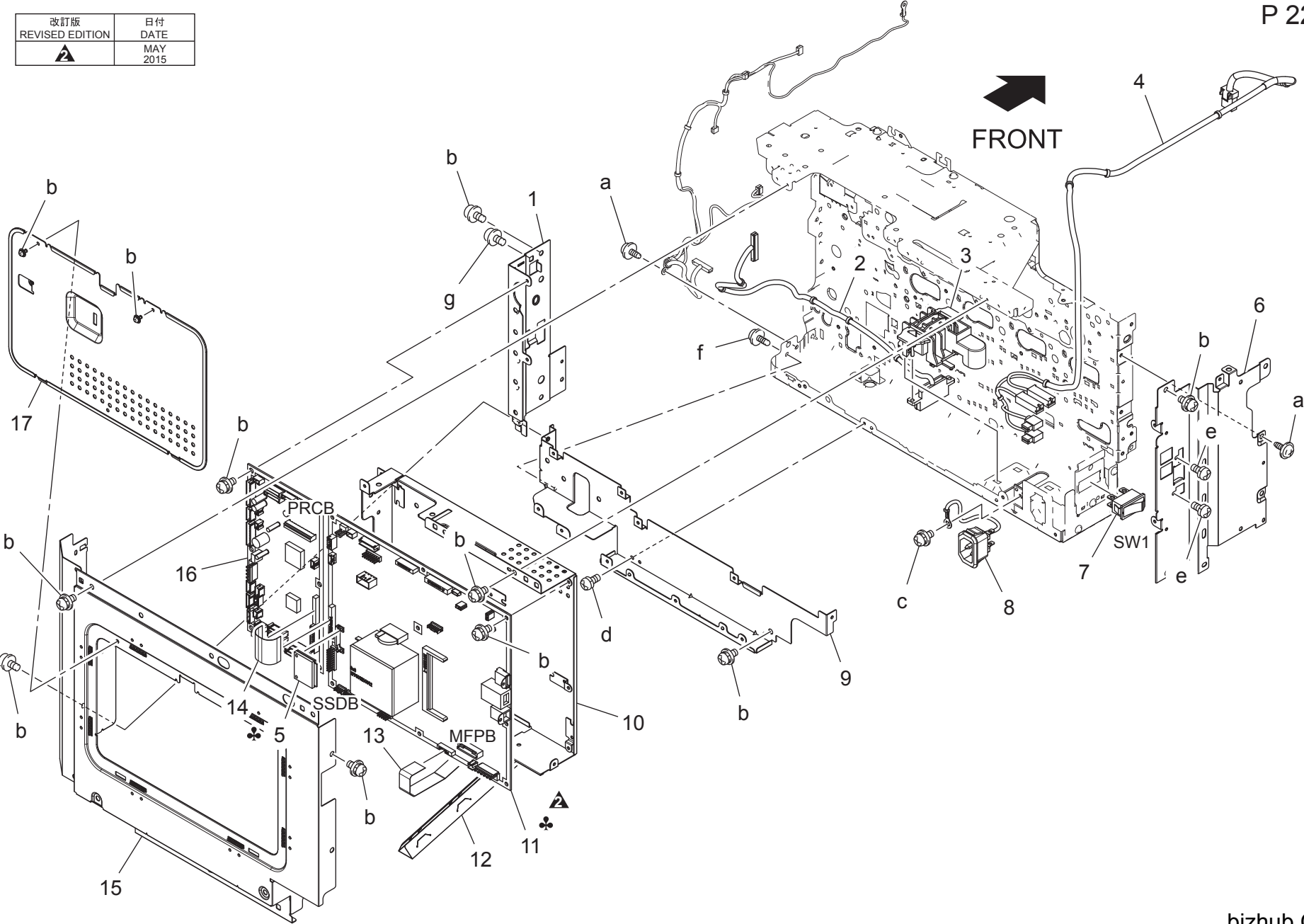


PAPER FEED DRIVE SECTION

Key	Part No.	Description	Destinations	Class	QTY	Standard parts
1	A6DRR70000	Paper Feed Drive Assy		C	1	a-V217040001 b-V144030803 c-V153030803 d-V137030603
2	A02EM20000	Clutch		B	2	
3	A0VD231200	Gear 22T		D	1	
4	A0VD230901	Gear 25T		C	1	
5	A0VD233301	Gear 20T		C	1	
6	A108M50100	Photointerrupter		B	2	
7	A0VD624100	Lever		C	1	
8	4002312303	HOLDER		D	1	
9	A6DRN10E00	Paperfeed Wiring		D	1	
10	A3GN217000	Guide Sheet		C	1	
11	A0VD230101	Shaft		D	1	
12	A0VD230301	Gear 23/55T		C	1	
13	A0VD230400	Gear 38/65T		C	1	
14	A0VD230501	Shaft		D	1	
15	A0VD230800	Shaft		D	1	
16	A0VD231101	Gear 36T		C	1	
17	A0VD233102	Mounting Plate		D	1	
18	4138259601	PAWL		D	1	
19	4138259701	PRESSURE SPRING		C	1	

# ELECTRICAL COMPONENTS

改訂版 REVISED EDITION	日付 DATE
	MAY 2015



# ELECTRICAL COMPONENTS

Key	Part No.	Description	Destinations	Class	QTY	Standard parts
1	A6DR132800	Mounting Plate		D	1	a-V137030603
2	A6DRN10F00	Paperfeed Relay harness		D	1	b-V116030603
3	A0VD136100	Hold Holder		D	1	c-V116040803
4	A6DRN10X00	AC Wiring		D	1	d-V115260503
5	A6DTR70411	Memory Board (JP)	A,A1	I	1	e-V115030603
5	A6DTR70300	Memory Board (WW)	B,C,D1,D3,E,F2,G1,G 2,H,I,K	I	1	f-V144030803 g-V116030803
6	A6DR133600	Reinforce Plate /Left		D	1	
7	A034M60200	Rocker switch		C	1	
8	A6DRN10001	AC Wiring		D	1	
9	A6DR132901	Mounting Plate		D	1	
10	A6DT132500	Mounting Plate		D	1	
11	A6DTH01004	PWB Assembly	(For Except Wifi Model)	I	1	
11	A6DTH01007	PWB Assembly	(For Wifi Model)	I	1	
12	A6DR133901	Seal		D	1	
13	A6DRN10S00	LD Flatcable		D	1	
14	A6DRN10T00	Controller Flatcable		D	1	
15	A6DR133402	Shield Plate		D	1	
16	A6DTH00106	PWB Assembly (PRCB)		I	1	
17	A6DR132401	Cover		D	1	

# WIRING ACCESSORIES AND JIGS

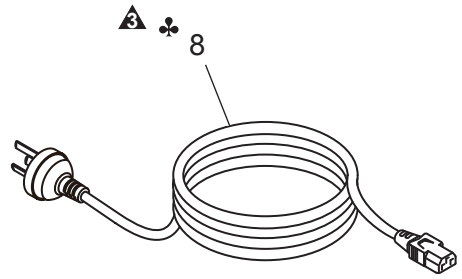
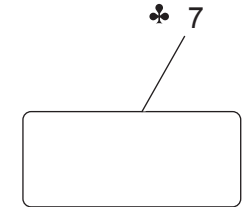
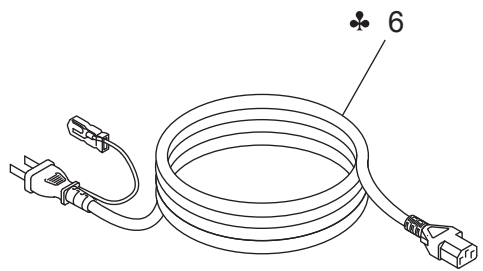
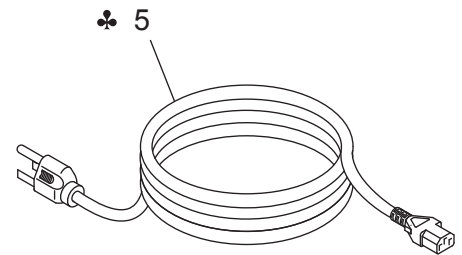
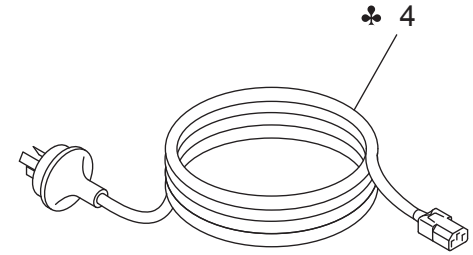
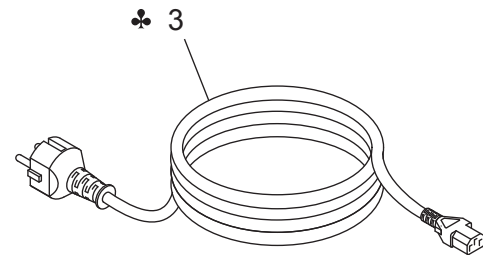
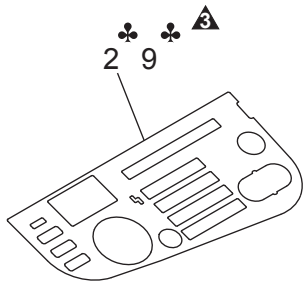
<p>1</p> <p>White</p> <p>5.2</p> <p>11.5</p>	<p>6</p> <p>5.8</p> <p>7.9</p>						
<p>2</p> <p>7.2</p> <p>11.5</p>	<p>7</p> <p>White</p> <p>5.3</p> <p>11</p>						
<p>3</p> <p>15.2</p> <p>18.5</p>	<p>8</p> <p>L=104</p>						
<p>4</p> <p>13.7</p> <p>16</p>	<p>9</p> <p>L=100</p>						
<p>5</p> <p>8.3</p> <p>10.3</p>							

WIRING ACCESSORIES AND JIGS

Key	Part No.	Description	Destinations	Class	QTY	Standard parts
1	V500010081	Locking Wire Saddle		D		
2	V500010082	Locking Wire Saddle		D		
3	V500010083	Locking Wire Saddle		D		
4	V500010084	Locking Wire Saddle		D		
5	V500020077	wabe Clamp		D		
6	V500020098	Mini Locking wire saddle		D		
7	V500020100	Mini Locking wire saddle		D		
8	V501010001	band		D		
9	V501010018	BAND		D		

# ACCESSORY PARTS

改訂版 REVISED EDITION	日付 DATE
	APRIL 2015





ACCESSORY PARTS

Key	Part No.	Description	Destinations	Class	QTY	Standard parts
2	A6DT950200	Sheet/ French	B,G2,H	C	1	
2	A6DT950300	Sheet/ Portuguese	B,G2,H	C	1	
2	A6DT950500	Sheet/ Spanish	B,G2,H	C	1	
2	A6DT950700	Sheet	D1,D3,E,F2,G1,I,K	C	1	
2	A6DT950400	Sheet	B,G2,H	C	1	
3	A0VDN30000	Power code	C	C	1	
4	9381420021	POWER CORD	D1(Except India,Thailand,Indonesia,Singapore),D3,E,G1(Except Argentina),I,K	D	1	
4	A2UPN30700	Power code (220-240V)	D1(India)	D	1	
4	A2UPN30300	Power code (220-240V)	D1(Thailand)	D	1	
4	4136N30000	POWER CODE	D1(Indonesia)	D	1	
4	A1UDN30200	Power code /230V	G1(Argentina)	C	1	
4	A2UPN30100	Power code (220-240V)	D1(Singapore),F2	D	1	
5	A0VDN30100	Power code	B,G2(Except Brasil)	C	1	
5	A2UPN30501	Power code /230V	G2(Brasil)	C	1	
5	A034N30300	Power source Cord	H	D	1	
6	A0VDN30200	Power code	A,A1	C	1	
7	A1UD947400	Label	A,A1	C	1	
8	9381430031	POWER CORD	J	D	1	
9	A6DT950100	Panel Sheet (English)	J	C	1	

# MAINTENANCE LIST

● The items with no Page/Key numbers are not handled as spare parts.

No.	Section	PM Parts Description	Maintenance Cycle (K=1,000)		Parts No.	Destinations	Page/Key	Note
			QTY	Replace				
1	Paper feed section	Tray1 feed roller	1	300k	4138303202		P12-3	*2 *4
2		Tray 1 separation roller	1	300k	4658015106		P12-4	*2 *4
3		Manual tray feed roller	1	300k	4138303202		P13-8	*2 *4
4		Manual tray separation roller	1	300k	4658015106		P13-12	*2 *4
5	Processing section	Toner cartridge/Y,M,C,K	1	4.7k	-			*1 *3
6		Imaging unit/Y,M,C,K	1	20k	-			*2
7		Waste toner bottle	1	19.7k	A1AU0Y1		P11-19	*3 *5
8	Image transfer section	Transfer belt unit	1	100k	A1480Y1		P8-5	*2
9		Transfer roller	1	100k	A1480Y2		P14-4	*2
10	Fusing section	Fusing unit	1	100k	A148002	A1	P17-12	*2
11		Fusing unit	1	100k	A148010	B,G2,H	P17-12	*2
12		Fusing unit	1	100k	A148022	C,D1,D3,E,F2,G1,I,K	P17-12	*2

\*1: The parts can be replaced either by user or service engineer.

\*2: Actual durable cycle (life counter value)

\*3: Field standard yield

\*4: Replace those parts at the same time.

\*5: A waste toner full condition is detected with detecting the actual waste toner emissions.

# メンテナンスリスト

● ページ / キーナンバーのないものは、アフターサービス部品ではありません。

No.	区分	PM 部品名称	サイクル (K=1,000)		部品番号	仕向地	頁 / キー	備考
			員数	交換				
1	給紙部	トレイ1 給紙ローラー	1	300k	4138303202		P12-3	*2 *4
2		トレイ1 分離ローラー	1	300k	4658015106		P12-4	*2 *4
3		手差しトレイ給紙ローラー	1	300k	4138303202		P13-8	*2 *4
4		手差しトレイ分離ローラー	1	300k	4658015106		P13-12	*2 *4
5	プロセス部	大容量トナーカートリッジ (C, M, Y, K)	1	4.7k	-			*1 *3
6		イメージングユニット /Y,M,C,K	1	20k	-			*2
7		廃トナーボトル	1	19.7k	A1AU0Y1		P11-19	*3 *5
8	転写部	転写ベルトユニット	1	100k	A1480Y1		P8-5	*2
9		転写ローラー	1	100k	A1480Y2		P14-4	*2
10	定着部	定着ユニット	1	100k	A148002	A1	P17-12	*2
11		定着ユニット	1	100k	A148010	B,G2,H	P17-12	*2
12		定着ユニット	1	100k	A148022	C,D1,D3,E,F2,G1,I,K	P17-12	*2

\*1: ユーザー / サービス交換の選択が可能。

\*2: ライフカウンター値

\*3: 市場標準印刷枚数値

\*4: 同時交換のこと。

\*5: 廃トナーフル検知は、実際の廃トナー充填量を検知して行う。

# DESTINATION

Destination No.		Destinations		V	Hz	Model No.
A	A1	JAPAN		100	50/60	A6DT-001/ A6DT-002
	A2	JAPAN				
B		USA, CANADA		120	60	A6DT-011/ A6DT-012
C		EUROPEAN TYPE		220-240	50/60	A6DT-021
D	D1	S.E ASIA TYPE	THAILAND, SRI LANKA, SINGAPORE, MALAYSIA, HONG KONG, PAKISTAN, INDIA, BANGLADESH, INDONESIA	220-240	50/60	A6DT-041/ A6DT-042
	D3	OCEANIA TYPE	AUSTRALIA, NEW ZEALAND	220-240	50/60	A6DT-041/ A6DT-042
E		PHILIPPINES		220-240	50/60	A6DT-041/ A6DT-042
F	F1	SAUDI ARABIA				
	F2	SAUDI ARABIA		220-240	50/60	A6DT-041/ A6DT-042
G	G1	C.S AMERICA		220-240	50/60	A6DT-041/ A6DT-042
	G2	C.S AMERICA		120	60	A6DT-011/ A6DT-012
H		TAIWAN		110	60	A6DT-011/ A6DT-012
I		JORDAN, LEBANON, SYRIA, SOUTH AFRICA, IRAQ, IRAN, N.YEMEN, CAMEROON, UAE, BAHRAIN, OMAN, QATAR, KUWAIT, KENYA, TUNISIA, IVORY COAST, MOROCCO		220-240	50/60	A6DT-041/ A6DT-042

<b>Destination No.</b>	<b>Destinations</b>	<b>V</b>	<b>Hz</b>	<b>Model No.</b>
J	CHINA	220-240	50/60	A6DT-081/ A6DT-082
K	KOREA	220-240	50/60	A6DT-041/ A6DT-042