

KONICA MINOLTA

PARTS GUIDE MANUAL

MARCH 2018

bizhub C368
A7PU

INFORMATION FOR PARTS GUIDE MANUAL

To find correct Parts No., refer to the "HOW TO MAKE THE BEST USE OF THIS MANUAL" in the following page.

HOW TO MAKE THE BEST USE OF THIS MANUAL

- 1 When you order, please check the proper figures beforehand that are on Our Parts Guide Manual, and order with the appropriate figures.
- 2 For screws, Nuts, Washers, retaining rings and Pins which are used in this model, one letter is shown on the Standard parts column of Parts list and exploded diagrams.
- 3 In order to maintain safety of the product, some specific parts composed of this product are set up as "essential safety parts".
- 4 The assigned parts number for the "essential safety parts" is indicated as "SP00-****".
When replacing these parts, follow precautions for disassembling and installing which are listed in the Service Manual.
Do not use any parts that are not set up as
- 5 ♣ means that there are exclusive parts for each destination.
Please check the appropriate destination when you order.
- 6 Revision Mark
Marked as ▲ on the illustration shows that the revision has been made.
- 7 All rights reserved. (any reprints or quotations are prohibited.)
Use of this parts guide manual should be strictly supervised to avoid disclosure of confidential information.

パーツガイドマニュアルのご案内

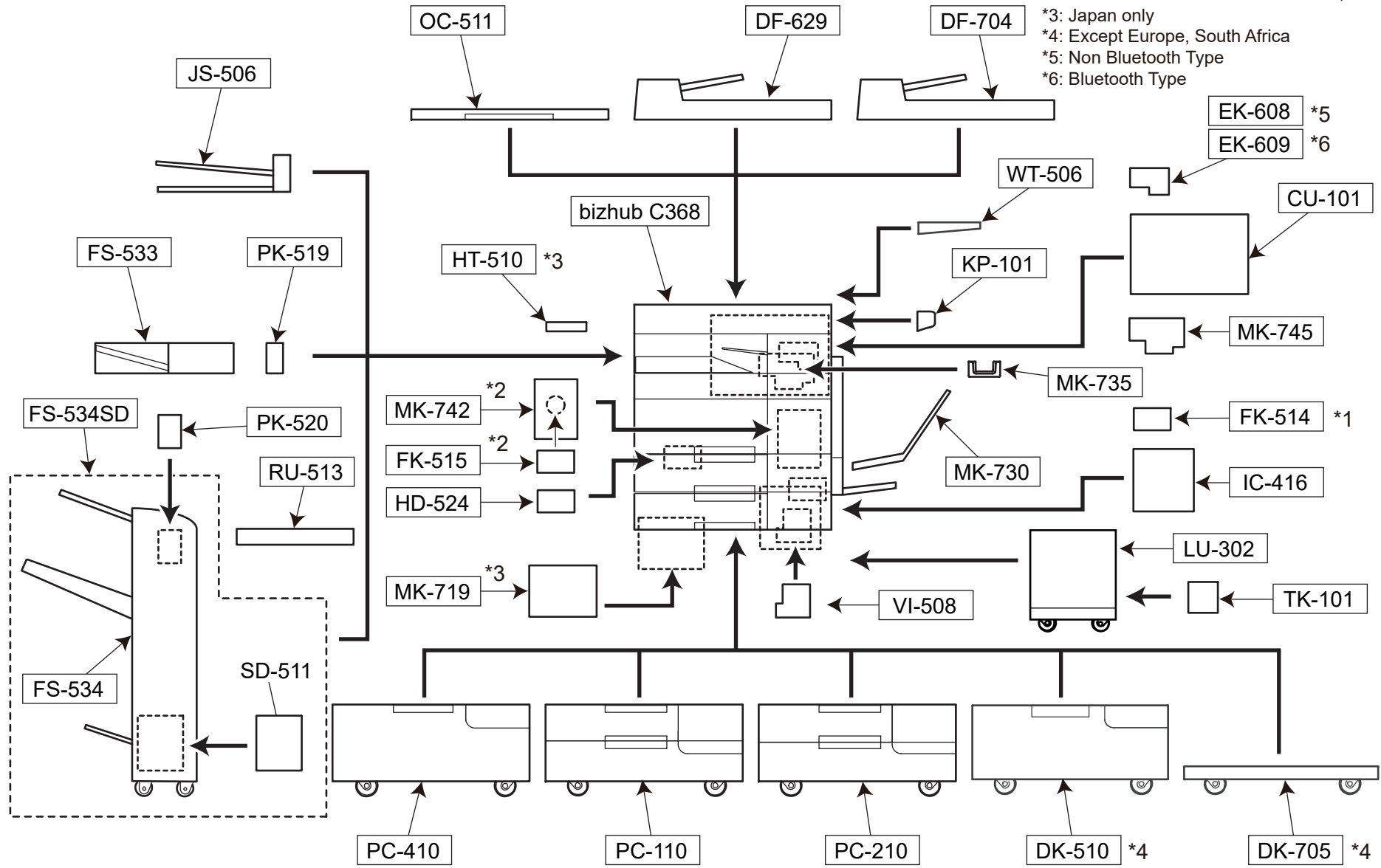
サービス部品をご発注の際には、下記に示す“パーツガイドマニュアルの活用にあたって”をご参照の上、正しい部品番号にてお願い致します。

パーツガイドマニュアルの活用にあたって

- 1 部品発注の際には、掲載されている部品番号の桁数を確認し、掲載されている桁数で発注願います。
- 2 この製品に使用されているネジ、ナット、ワッシャー、止め輪、ピンなどは、リストの右側の Standard parts 欄に a,b,c,…… で表示し、イラストにも a,b,c,…… 表示してあります。
- 3 製品の安全性を維持する為に、製品に使用される特定の部品を「重要保安部品」として設定しています。
- 4 重要保安部品の部品番号は、“SP00-****”と記載されていますので、部品交換時は、サービスマニュアル記載の分解・組み立ての注意事項に従って作業をして下さい。
また、指定以外の部品は一切使用しないで下さい。
- 5 本文に ♣ が表示されている部品は、仕向け地毎に専用部品がある事を意味しています。
オーダーされる時は、仕向け地を確認して下さい。
- 6 改訂記号について
イラスト上に ▲ 印が表示されている部分は、改訂された事を表します。
- 7 著作権所有（無断転載及び無断引用の禁止）
本パーツガイドマニュアルについては、機密保持等その扱いには十分注意して下さい。万一取り扱いを誤った場合には、法律で処罰されることがあります。

System Configuration

- *1: As use for 1st or 2nd FAX circuit line
- *2: As use for 3rd or 4th FAX circuit line (for Model No. A7PU001, A7PU011)
- *3: Japan only
- *4: Except Europe, South Africa
- *5: Non Bluetooth Type
- *6: Bluetooth Type

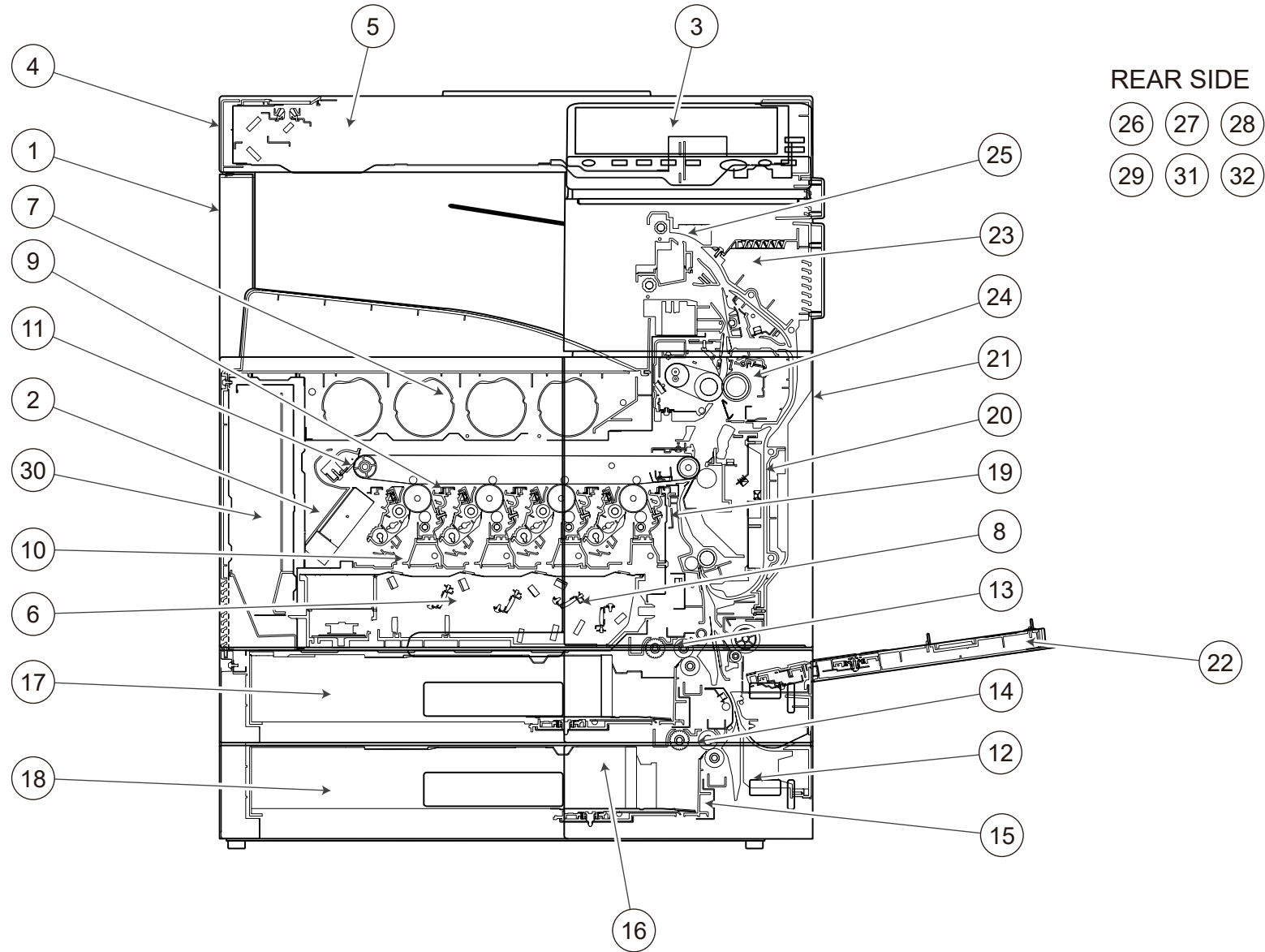


GENERAL CONTENTS

No.	Description	Model
1	Digital MFP Color	bizhub C368
2	Document Feeder	DF-629
3	Document Feeder	DF-704
4	Original Cover	OC-511
5	Job Separator	JS-506
6	Finisher/Sorter	FS-533
7	Punch Unit	PK-519
8	Finisher/Sorter	FS-534SD
9	Finisher/Sorter	FS-534
10	Punch Unit	PK-520
11	Finisher/Sorter	RU-513
12	Paper Feeder	PC-110
13	Paper Feeder	PC-210
14	Paper Feeder	PC-410
15	Desk	DK-510
16	Desk	DK-705
17	Paper Feeder	LU-302
18	Other Option	TK-101
19	Local IF Kit	EK-608
20	Local IF Kit	EK-609
21	Other Option	CU-101
22	Mount Kit	MK-745

No.	Description	Model
23	Fax Kit	FK-514
24	Fax Kit	FK-515
25	Image Controller	IC-416
26	Working Table	WT-506
27	Other Option	KP-101
28	Mount Kit	MK-735
29	Mount Kit	MK-730
30	Heater	HT-510
31	Mount Kit	MK-742
32	HDD	HD-524
33	Video IF Kit	VI-508
34	Other Option	MK-719

Section Configuration



CONTENTS

No.	DESCRIPTION	名称	PAGE No.
1	EXTERNAL PARTS	外装部	P1 P2
2	INNER COVER SECTION	2次カバー部	P3
3	OPERATION PANEL SECTION	オペレーションパネル部	P4
4	IR COVER SECTION	I R カバー部	P5
5	SCANNER SECTION	スキャナー部	P6 P7 P8
6	PH UNIT	P H 部	P9
7	TONER SUPPLY SECTION	トナー補給部	P10 P11
8	WASTE TONER BOX SECTION	廃棄トナーボックス部	P12
9	ERASE LAMP SECTION	イレーサーランプ部	P13
10	DV LOCK LEVER SECTION	D V ロックレバー部	P14
11	TRANSFER UNIT	転写ベルト部	P15
12	PAPER FEED SECTION	給紙部	P16
13	1ST PAPER FEED SECTION	1 段目給紙部	P17 P18
14	2ND PAPER FEED SECTION	2 段目給紙部	P19 P20
15	CASSETTE RAIL SECTION	カセットレール部	P21
16	PAPER SIZE DETECTION SECTION	カセットサイズ検出部	P22
17	1ST CASSETTE SECTION	1 段目カセット部	P23 P23A P24 P24A
18	2ND CASSETTE SECTION	2 段目カセット部	P25 P25A P26 P26A
19	CONVEYANCE SECTION	搬送部	P27
20	VERTICAL TRANSPORT SECTION	縦搬送部	P28 P29
21	VERTICAL CONVEYANCE DOOR SECTION	縦搬送扉部	P30
22	BYPASS TRAY SECTION	手差しトレイ部	P31 P32 P33
23	REVERSAL UNIT	反転部	P34 P35
24	FUSING SECTION	定着部	P36
25	PAPER EXIT SECTION	排紙部	P37 P38
26	MAIN DRIVE/ PAPER FEED DRIVE SECTION	メイン駆動/給紙駆動部	P39
27	TONER BOTTLE DRIVE SECTION	トナーボトル駆動部	P40
28	FUSING DRIVE SECTION	定着駆動部	P41 P42
29	HIGH VOLTAGE SECTION	高圧電源部	P43
30	MAIN POWER SUPPLY SECTION	低圧電源部	P44
31	ELECTRICAL COMPONENTS	電装部	P45 P46
32	WIRING	束線	P47 P48 P49
33	WIRING ACCESSORIES AND JIGS	配線部品・治具	P50
34	ACCESSORY PARTS	同梱部品	P51

INDEX

Parts No.	Page No.
0996305501	21-7
1164202801	38-5
4002311002	22-7
4004590301	38-1
4011585202	27-35
4025598401	38-3
4030301703	18-11
4030301703	20-12
4030320601	24A-11
4030320601	24-15
4030320601	26A-11
4030320601	26-16
4030322601	24-9
4030322601	24A-9
4030322601	26-9
4030322601	26A-9
4030340301	32-15
4030347501	32-19
4034352501	17-2
4036307501	6-6
4036534801	11-24
4037320401	24-11
4037320401	26-11
4038101401	10-4
4038228702	3-18
4038258001	41-15
4038353701	27-9
4038353901	27-13
4038541202	40-9
4038M60000	3-14
4040561000	18-2
4040561000	20-3
4131300301	17-12
4131300301	19-17
4131353202	31-17
4136N30000	51-15
4139M10000	9-2
4139M10000	36-2
4139M10000	44-9
4163510201	11-7

Parts No.	Page No.
4163529301	9-3
4163529301	15-34
4163529301	22-12
4163529301	24-23
4163529301	24A-36
4163529301	26-13
4163529301	26A-36
4163529301	27-32
4163529301	28-2
4163529301	29-25
4163529301	34-10
4163529301	35-3
4333501201	11-17
4532341001	18-13
4532341001	20-15
4576536301	11-8
4581162501	6-8
4640392001	37-3
4658015106	32-26
56AA40490	1-16
56AA40490	17-15
56AA40490	18-8
56AA40490	19-19
56AA40490	20-7
9313100072	36-4
9321240011	31-24
9381420021	51-15
9381430031	51-15
9J06730101	45-5
9J06M10300	22-8
9J06M60100	3-17
9J06M60100	30-3
A00F623201	31-10
A00F941100	34-25
A00J106202	1-20
A00J169100	2-23
A00J169100	4-17
A00J169100	51-3
A00J169300	5-5
A00J265300	6-7

Parts No.	Page No.
A00J563600	17-14
A00J563600	18-6
A00J563600	19-18
A00J563600	20-6
A00J617900	19-12
A00J663200	17-28
A00J663200	19-16
A00J945201	2-8
A00J945500	1-13
A00JH00D00	1-7
A00JN30200	45-18
A011946200	4-24
A02E117300	36-15
A02E149900	2-7
A02E167700	5-7
A02E167700	51-4
A02E560800	17-24
A02E560800	19-28
A02E561100	17-16
A02E561100	19-20
A02E595100	31-21
A02E595400	31-16
A02E596100	31-20
A02E596300	31-9
A02E597600	32-25
A02E712902	27-12
A02E815200	29-10
A02E815200	34-7
A02E815200	35-17
A02E940300	24A-15
A02E940300	24-24
A02E940300	26A-15
A02E940300	26-24
A02EM20000	19-30
A02EM20000	27-1
A02EM20100	31-22
A02EM20200	17-26
A02EM20200	19-29
A02EN12513	45-13
A034M20100	27-34

Parts No.	Page No.
A03U812800	41-8
A03U812800	42-17
A0ED103100	13-4
A0ED110900	15-16
A0ED111000	15-4
A0ED111400	15-29
A0ED111500	15-12
A0ED111700	15-17
A0ED112000	15-14
A0ED135700	45-7
A0ED135700	45-7
A0ED146900	36-1
A0ED162401	3-6
A0ED163000	1-3
A0ED245000	12-7
A0ED257500	41-14
A0ED259700	41-11
A0ED271200	7-7
A0ED271300	7-6
A0ED273600	8-12
A0ED274300	8-19
A0ED274400	8-8
A0ED276301	8-16
A0ED363001	12-4
A0ED363200	12-2
A0ED363312	12-5
A0ED363400	12-3
A0ED401000	11-25
A0ED501301	15-35
A0ED550800	28-24
A0ED550900	28-17
A0ED551000	28-14
A0ED551100	28-15
A0ED563900	18-5
A0ED563900	20-5
A0ED597800	31-23
A0ED620200	24A-12
A0ED620200	24-16
A0ED620200	26A-12
A0ED620200	26-17

Parts No.	Page No.
A0ED620701	24A-14
A0ED620701	24-22
A0ED620701	26A-14
A0ED620701	26-22
A0ED621400	24-12
A0ED621400	26-12
A0ED700200	27-17
A0ED700300	27-19
A0ED700600	27-14
A0ED700700	27-20
A0ED702400	29-28
A0ED702800	27-5
A0ED703800	28-9
A0ED705800	27-4
A0ED712100	30-8
A0ED811700	29-1
A0ED811700	34-18
A0ED811900	29-4
A0ED815100	35-9
A0ED891100	38-6
A0ED897700	38-15
A0ED940600	10-6
A0ED940700	1-4
A0EDM10500	46-12
A0EDM50100	17-5
A0EDM50100	19-3
A0EDM60001	10-19
A0EDM60001	14-1
A0EDN30002	45-8
A0G6411200	1-9
A0HF952400	5-11
A0P0742300	37-9
A0P0M50300	43-7
A0P0N15100	46-11
A161101600	21-15
A161101701	21-16
A161101802	9-7
A161101900	21-4
A161102500	30-2
A161102700	36-11

Parts No.	Page No.	Parts No.	Page No.	Parts No.	Page No.	Parts No.	Page No.	Parts No.	Page No.
A161103700	21-12	A161137202	36-13	A161210200	39-10	A161254700	41-4	A161281300	6-22
A161103901	21-10	A161137701	43-5	A161220100	39-24	A161256300	41-9	A161281600	6-4
A161104101	28-22	A161137802	9-10	A161220200	39-23	A161258501	42-18	A161362000	12-11
A161104200	21-3	A161137900	46-21	A161220400	39-22	A161258700	42-13	A161400100	11-10
A161104300	21-1	A161138500	13-6	A161220500	39-21	A161258800	41-13	A161400401	11-11
A161105200	21-14	A161140200	9-1	A161220600	39-20	A161259100	42-14	A161400601	11-12
A161105400	9-5	A161140400	36-10	A161220700	39-19	A161259200	42-15	A161400701	11-20
A161105500	39-27	A161140501	36-3	A161221001	39-25	A161259400	41-12	A161400800	11-26
A161105600	13-3	A161140800	44-7	A161228000	42-9	A161259800	39-16	A161401000	11-6
A161107100	13-5	A161141500	43-15	A161228100	42-10	A161261902	6-15	A161401100	11-5
A161107400	13-9	A161141700	15-31	A161228312	42-11	A161262002	6-16	A161401200	11-4
A161110105	15-28	A161143400	44-10	A161228601	42-19	A161262200	6-14	A161401300	11-2
A161110202	15-10	A161143601	44-3	A161228800	41-7	A161263000	6-11	A161401400	11-1
A161110300	15-11	A161144500	44-2	A161230500	42-8	A161268200	6-3	A161401500	11-3
A161110400	15-7	A161144801	15-33	A161230600	42-7	A161268300	6-1	A161402115	10-14
A161110500	15-15	A161144900	15-30	A161230700	41-19	A161271000	7-9	A161402403	10-8
A161110601	15-3	A161145000	44-1	A161231800	42-5	A161271000	8-14	A161402502	10-7
A161112000	15-13	A161146200	15-32	A161232200	41-6	A161271100	7-11	A161403000	11-18
A161112101	15-27	A161146800	11-27	A161232300	41-17	A161271100	8-17	A161403101	11-9
A161112200	15-8	A161151100	3-20	A161232300	42-3	A161273113	8-15	A161403200	11-23
A161112300	15-20	A161151200	30-5	A161232401	41-21	A161273401	8-13	A161403300	10-12
A161112400	15-26	A161151300	3-19	A161232501	41-16	A161273500	8-18	A161403403	10-13
A161112500	15-5	A161160300	1-8	A161240300	40-5	A161273701	8-11	A161403500	10-10
A161112600	15-9	A161161002	1-1	A161240400	40-8	A161273800	8-20	A161403600	10-11
A161112700	15-25	A161161303	1-10	A161240500	40-7	A161274500	8-22	A161403701	10-2
A161116202	14-2	A161162304	37-5	A161240600	40-6	A161274600	8-21	A161403800	10-9
A161119500	14-3	A161162400	4-18	A161240700	40-10	A161275113	8-23	A161403901	10-5
A161121300	30-1	A161162803	2-22	A161240900	40-11	A161275213	8-24	A161404001	10-16
A161121401	36-9	A161163503	2-3	A161241000	40-13	A161275300	8-9	A161404100	10-17
A161121900	41-24	A161163900	2-16	A161241400	40-15	A161275400	8-10	A161404200	11-14
A161122002	41-22	A161165007	3-4	A161245100	12-6	A161275500	8-6	A161404300	11-19
A161122500	36-8	A161165300	3-5	A161245400	12-8	A161275600	8-5	A161508400	15-2
A161130101	13-1	A161165602	1-17	A161253100	39-15	A161275700	8-3	A161550700	28-12
A161130502	45-6	A161165700	3-1	A161253500	39-13	A161276000	8-4	A161551500	28-21
A161130603	45-9	A161167000	4-23	A161253600	39-17	A161276500	8-7	A161551600	28-20
A161131401	45-1	A161167100	4-28	A161253900	39-11	A161278600	7-1	A161560101	17-10
A161132801	43-3	A161167300	4-27	A161254200	41-1	A161278900	7-3	A161560112	17-10
A161134702	39-8	A161167400	4-26	A161254300	41-2	A161280211	6-20	A161560302	19-10
A161135100	3-15	A161170800	5-8	A161254400	41-3	A161280300	6-17	A161560500	17-29
A161137100	30-4	A161190903	4-2	A161254500	41-5	A161281100	6-24	A161560500	19-14

Parts No.	Page No.	Parts No.	Page No.	Parts No.	Page No.	Parts No.	Page No.	Parts No.	Page No.
A161560900	17-4	A161567400	19-26	A161594300	33-18	A161621600	24-4	A161626200	23-2
A161560900	19-7	A161568600	18-3	A161594400	31-11	A161621600	24A-4	A161626200	23A-2
A161561000	19-1	A161568700	20-9	A161594500	32-1	A161621600	26-4	A161626200	25A-2
A161561100	16-1	A161568800	20-2	A161594600	32-3	A161621600	26A-4	A161626200	25-2
A161561200	16-2	A161571100	19-6	A161594700	31-7	A161621701	24-21	A161626502	23-9
A161561600	17-7	A161576100	16-7	A161594800	31-27	A161621701	26-21	A161626502	23A-9
A161561600	19-8	A161576200	16-5	A161594900	31-28	A161621800	24-20	A161626602	23A-10
A161562000	17-19	A161576300	16-4	A161595000	32-18	A161621800	26-20	A161626602	23-10
A161562000	19-23	A161578100	19-2	A161595100	32-14	A161621900	24-17	A161626602	25A-11
A161562101	17-21	A161578200	19-4	A161595200	32-21	A161621900	26-18	A161626602	25-11
A161562101	19-25	A161578212	19-4	A161595300	32-16	A161622100	23A-1	A161626800	23A-11
A161562300	17-17	A161578700	19-33	A161595400	32-20	A161622100	23-1	A161626800	23-11
A161562300	19-21	A161579011	16-10	A161595600	32-17	A161622100	25A-1	A161626800	25A-12
A161562400	17-13	A161590101	32-13	A161620107	24-19	A161622100	25-1	A161626800	25-12
A161562400	19-15	A161590201	31-5	A161620400	24A-10	A161623104	23-4	A161626900	23-17
A161562500	17-20	A161590304	32-11	A161620400	24-10	A161623301	23-21	A161626900	23A-17
A161562500	19-24	A161590600	31-19	A161620400	26-10	A161623301	23A-21	A161626900	25-18
A161562600	17-18	A161590800	31-18	A161620400	26A-10	A161623400	21-13	A161626900	25A-18
A161562600	19-22	A161590901	32-29	A161620600	24A-6	A161623400	23-3	A161630102	26-23
A161562800	17-11	A161591000	32-28	A161620600	24-6	A161623400	23A-3	A161631411	26A-13
A161562800	19-13	A161591100	32-27	A161620600	26-6	A161623400	25-3	A161631411	26-19
A161563000	19-32	A161591300	31-25	A161620600	26A-6	A161623400	25A-3	A161633101	25-4
A161563300	18-12	A161591400	31-13	A161620701	24-7	A161624100	24A-3	A161633202	25-21
A161563300	20-13	A161591500	31-12	A161620701	24A-7	A161624100	24-3	A161633202	25A-21
A161563901	18-14	A161591600	32-12	A161620701	26-8	A161624100	26A-3	A161635117	25A-19
A161563901	20-14	A161591700	31-8	A161620701	26A-8	A161624100	26-3	A161635117	25-19
A161564001	18-10	A161591800	32-22	A161620803	24-14	A161625114	23A-18	A161636502	25-10
A161564001	20-11	A161592200	33-2	A161620803	26-15	A161625114	23-18	A161636502	25A-10
A161564200	18-16	A161592300	33-10	A161620904	24A-1	A161625900	23-16	A161700301	27-26
A161564200	20-17	A161592400	33-7	A161620904	24-1	A161625900	23A-16	A161700401	27-31
A161564300	18-18	A161592501	33-8	A161620904	26A-1	A161625900	25-17	A161700600	27-10
A161564300	20-19	A161592600	33-9	A161620904	26-1	A161625900	25A-17	A161700700	27-30
A161564400	18-15	A161592800	31-1	A161621100	24A-5	A161626000	23-12	A161700901	27-40
A161564400	20-16	A161592900	30-7	A161621100	24-5	A161626000	23A-12	A161701100	27-28
A161565102	16-8	A161593300	31-14	A161621100	26A-5	A161626000	25A-13	A161701301	27-15
A161565302	17-9	A161593400	32-33	A161621100	26-5	A161626000	25-13	A161701703	27-27
A161566000	17-1	A161593600	32-31	A161621300	24-13	A161626100	23-13	A161701800	27-36
A161567300	17-23	A161593800	33-15	A161621300	26-14	A161626100	23A-13	A161701900	27-3
A161567300	19-27	A161594100	31-6	A161621411	24A-13	A161626100	25A-14	A161702000	27-21
A161567400	17-22	A161594201	32-10	A161621411	24-18	A161626100	25-14	A161702101	27-41

Parts No.	Page No.	Parts No.	Page No.	Parts No.	Page No.	Parts No.	Page No.	Parts No.	Page No.
A161702200	27-2	A161813400	35-21	A161894000	37-6	A161F16102	3-2	A161N12701	19-5
A161702200	42-20	A161813600	35-8	A161894000	38-8	A161F21100	39-14	A161N12801	11-15
A161706001	27-6	A161813701	34-6	A161894100	37-7	A161F21200	39-18	A161N12H00	27-37
A161710103	28-11	A161813801	34-15	A161895113	38-29	A161F25013	42-4	A161N14100	6-5
A161710300	29-29	A161813902	35-22	A161895301	37-4	A161F25102	41-10	A161N14201	6-12
A161710405	29-24	A161814401	35-2	A161895400	38-4	A161F56016	17-25	A161N15J00	46-10
A161710500	29-8	A161814500	35-16	A161895502	38-7	A161F56028	17-25	A161R70322	43-9
A161711100	28-5	A161814601	34-5	A161895600	38-9	A161F56101	16-6	A161R70511	39-26
A161711200	28-26	A161814700	34-9	A161895800	38-30	A161F59002	31-15	A161R71422	28-23
A161711300	29-13	A161814901	34-24	A161897200	37-8	A161F81103	34-21	A161R71788	36-12
A161711600	29-17	A161815000	30-21	A161900100	38-24	A161F89003	38-22	A161R71888	36-12
A161711700	29-14	A161815100	34-3	A161900201	38-31	A161H00U01	4-20	A161R71999	36-12
A161711901	29-31	A161815300	30-16	A161900300	38-32	A161M20100	42-12	A161R72200	6-2
A161712000	29-19	A161815400	30-19	A161940400	1-14	A161M20202	39-12	A161R72644	38-21
A161712100	29-23	A161815800	34-12	A161941100	41-25	A161M20300	39-3	A161R73244	36-12
A161712300	28-16	A161815900	30-17	A161942000	3-13	A161M20400	42-6	A161R73300	15-36
A161712401	28-4	A161816200	30-22	A161942200	3-11	A161M50000	27-38	A1RF505400	42-16
A161712500	28-19	A161816300	29-26	A161942300	3-10	A161M50300	27-39	A1RF517100	39-2
A161712600	29-6	A161816400	34-17	A161942400	3-8	A161M50400	33-14	A1UD192400	21-9
A161712700	28-3	A161819000	34-19	A161942500	3-7	A161M50501	22-6	A1UD947400	51-6
A161712800	29-21	A161819200	35-32	A161943000	3-3	A161M50600	22-5	A1UDM50200	6-9
A161712800	35-25	A161819500	35-13	A161943000	24-8	A161M50A00	6-23	A1UDN30200	51-15
A161712900	29-5	A161825000	35-31	A161943000	24A-8	A161M50A00	6-25	A2UPN30100	51-15
A161713100	29-7	A161825102	35-14	A161943000	26-7	A161N10002	45-10	A2UPN30300	51-15
A161713500	29-20	A161825301	35-7	A161943000	26A-7	A161N10102	45-11	A2UPN30601	51-15
A161714500	29-18	A161825400	35-19	A161943100	23-14	A161N10300	45-19	A2X0901100	38-12
A161714600	29-22	A161825700	29-9	A161943100	23A-14	A161N10D00	27-24	A2X0945701	2-5
A161719000	29-2	A161825700	35-10	A161943200	25-15	A161N10F01	11-21	A2XK224100	41-20
A161810305	30-20	A161825800	35-11	A161943200	25A-15	A161N10H01	28-1	A2XK400001	10-20
A161810503	35-28	A161826001	35-33	A161943301	51-8	A161N10J00	15-23	A2XK400100	10-21
A161810701	34-1	A161890300	38-27	A161943400	51-7	A161N10K00	1-5	A2XK400200	10-22
A161810801	35-5	A161891000	38-18	A161943700	24-2	A161N10P01	17-27	A2XKN10B00	10-23
A161811001	30-10	A161891301	38-25	A161943700	24A-2	A161N10Q02	19-31	A3EW944600	5-10
A161811100	30-12	A161891401	37-2	A161943700	26A-2	A161N10Y02	14-4	A4EU138000	46-6
A161811302	30-14	A161892000	38-20	A161943700	26-2	A161N11200	15-24	A4NN0Y1	12-9
A161811500	30-9	A161892100	38-13	A161946100	34-8	A161N11300	43-11	A4NN0Y1	12-9
A161813001	35-26	A161892300	38-19	A161946200	29-15	A161N11C01	5-13	A4NNWY3	12-9
A161813100	35-27	A161892400	38-2	A161946300	27-11	A161N11K00	43-12	A4NNWY3	12-9
A161813200	35-18	A161892902	38-26	A161946400	29-11	A161N12100	35-4	A55V624700	23-23
A161813300	34-14	A161893601	38-10	A161F10901	41-23	A161N12200	31-4	A55V624700	23A-23


Parts No.	Page No.	Parts No.	Page No.	Parts No.	Page No.	Parts No.	Page No.	Parts No.	Page No.
A55V624700	25A-23	A5C1562200	17-30	A5C1711000	28-6	A5C1N10200	45-12	A795565800	24A-32
A55V624700	25-23	A5C1562200	19-34	A5C1711500	29-16	A5C1N10B00	4-29	A795565800	26A-32
A5C1101101	21-8	A5C1563100	18-1	A5C1711800	28-13	A5C1N10D00	4-30	A795565900	24A-33
A5C1102800	13-10	A5C1563100	20-1	A5C1715100	28-5	A5C1N14300	8-1	A795565900	26A-33
A5C1104400	21-11	A5C1563400	18-9	A5C1810603	35-6	A5C1N30000	45-8	A795620800	24A-16
A5C1104700	21-18	A5C1563400	20-10	A5C1811600	30-18	A5C1R70800	18-19	A795620800	26A-16
A5C1104800	21-6	A5C1563500	18-4	A5C1811700	35-1	A5C1R70800	20-20	A795621301	24A-17
A5C1105500	13-11	A5C1563500	20-4	A5C1811803	35-34	A5C1R71600	1-15	A795621301	26A-17
A5C1106000	21-20	A5C1564101	18-17	A5C1811901	35-23	A5C1R90000	6-27	A795621900	24A-34
A5C1112101	15-22	A5C1564101	20-18	A5C1814200	35-20	A5C1R90000	15-21	A795621900	26A-34
A5C1112800	15-6	A5C1565500	17-6	A5C1814300	34-23	A5C4N10500	36-14	A795622600	24A-18
A5C1112900	15-19	A5C1565600	18-20	A5C1815200	30-13	A61F100600	44-12	A795622600	26A-18
A5C1120700	10-1	A5C1565600	20-21	A5C1815700	34-11	A61F130700	21-19	A795622700	24A-19
A5C1120800	10-1	A5C1590500	30-11	A5C1819600	34-22	A61F940400	1-14	A795622700	26A-19
A5C1121100	36-7	A5C1591200	31-26	A5C1819700	34-16	A61FM90200	46-26	A795942401	23A-7
A5C1121202	30-6	A5C1591900	31-3	A5C1822000	34-4	A61FN12A00	3-16	A795942401	23-7
A5C1130800	45-4	A5C1624300	23A-8	A5C1825000	35-30	A64J257800	39-1	A795942401	25-8
A5C1134111	46-8	A5C1624300	23-8	A5C1825500	35-29	A64J363700	12-1	A795942401	25A-8
A5C1134200	46-5	A5C1624300	25-9	A5C1890100	38-23	A64J709100	29-3	A797105400	13-2
A5C1134800	43-13	A5C1624300	25A-9	A5C1890401	38-11	A64J719100	29-30	A797245300	12-13
A5C1135300	9-4	A5C1625001	23A-15	A5C1891100	38-33	A64J815500	30-15	A797N30000	51-15
A5C1137800	45-14	A5C1625001	23-15	A5C1900400	38-34	A64J891200	38-35	A79J566000	24A-20
A5C1140300	36-6	A5C1627101	22-9	A5C1900500	38-16	A64J891500	38-36	A79J566000	26A-20
A5C1142001	43-14	A5C1627300	22-10	A5C1900600	38-28	A64JR71400	12-12	A79J620100	24A-35
A5C1148100	36-16	A5C1627900	22-11	A5C1F42000	11-13	A795565000	24A-24	A79J622500	24A-21
A5C1149400	36-5	A5C1628000	22-4	A5C1M10A00	8-2	A795565000	26A-24	A79J622500	26A-21
A5C1160401	1-6	A5C1628100	23-19	A5C1M50100	6-13	A795565100	24A-25	A79J623100	23A-4
A5C1167800	4-22	A5C1628100	25-20	A5C1M50100	11-22	A795565100	26A-25	A79J630100	26A-35
A5C1192100	51-5	A5C1628500	23-19	A5C1M50100	17-8	A795565200	24A-26	A79J633100	25A-4
A5C1228700	41-26	A5C1628500	23A-19	A5C1M50100	19-9	A795565200	26A-26	A79J821000	35-35
A5C1231300	41-18	A5C1628500	25A-20	A5C1M50100	22-13	A795565300	24A-27	A79J941200	23A-5
A5C1254600	41-27	A5C1628500	25-20	A5C1M50100	27-33	A795565300	26A-27	A79J941200	23-5
A5C1263300	6-10	A5C1635001	25-16	A5C1M50100	28-10	A795565400	24A-28	A79J941200	25A-5
A5C1263400	6-26	A5C1635001	25A-16	A5C1M50100	29-27	A795565400	26A-28	A79J941200	25-5
A5C1280100	6-18	A5C1700101	27-8	A5C1M50100	31-2	A795565500	24A-29	A79J941300	23A-20
A5C1404500	10-15	A5C1700800	27-18	A5C1M50100	32-24	A795565500	26A-29	A79J941300	23-20
A5C1404600	11-28	A5C1701400	27-16	A5C1M50100	33-6	A795565600	24A-30	A79J941500	23-6
A5C1551701	28-18	A5C1703200	27-23	A5C1M50100	35-12	A795565600	26A-30	A79J941500	23A-6
A5C1560600	17-3	A5C1710200	29-12	A5C1M72H00	46-9	A795565700	24A-31	A79J943500	25-6
A5C1560600	19-11	A5C1710900	28-8	A5C1M92000	4-11	A795565700	26A-31	A79J943500	25A-6

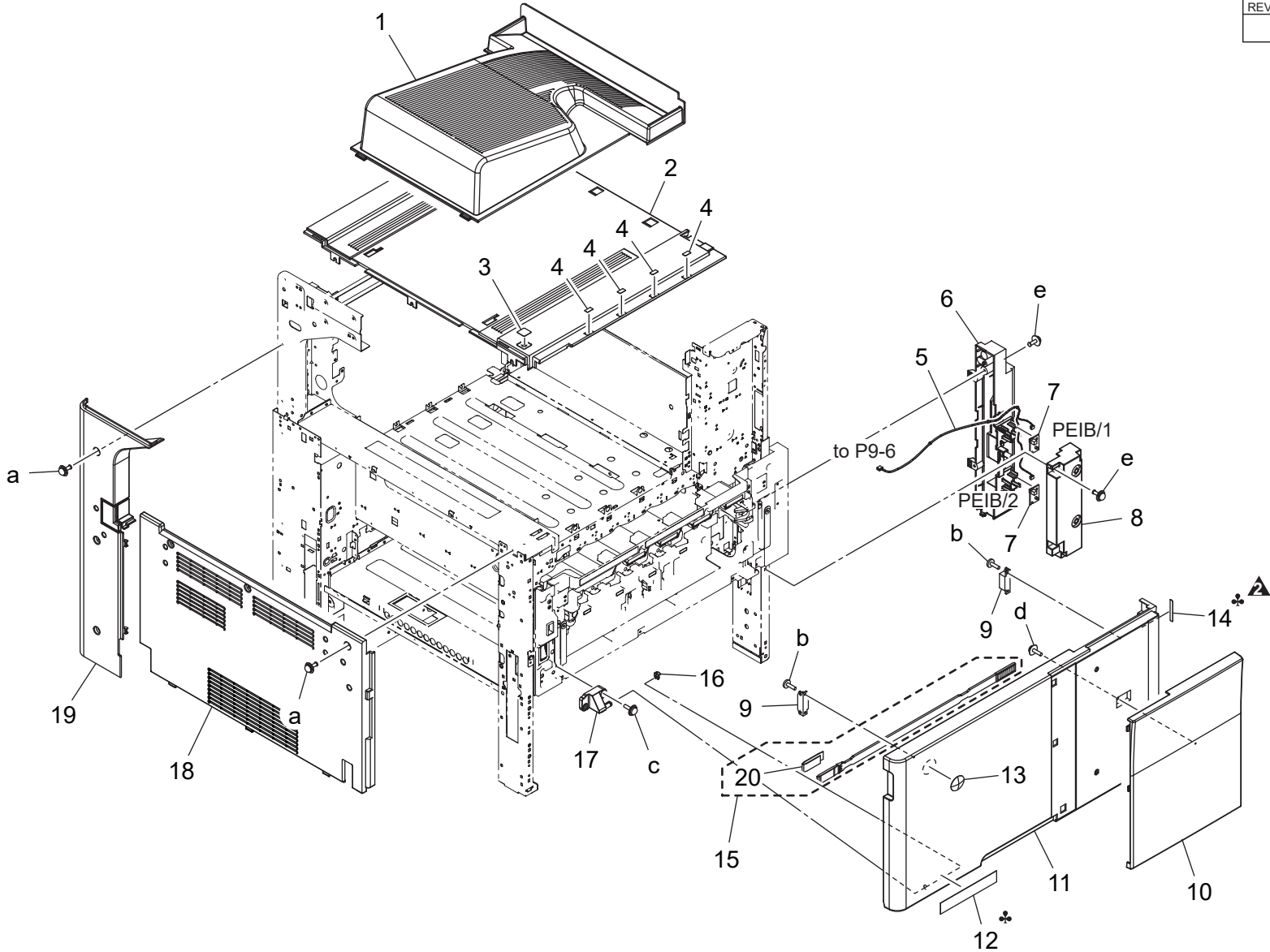
Parts No.	Page No.	Parts No.	Page No.	Parts No.	Page No.	Parts No.	Page No.	Parts No.	Page No.
A79J943600	25A-7	A7PU135500	3-22	A7PU168201	51-2	A7PU593100	32-8	A7PU944500	32-35
A79J943600	25-7	A7PU137301	4-32	A7PU168301	2-11	A7PU593200	32-7	A7PU944600	34-26
A79JR72111	23A-22	A7PU138002	4-10	A7PU168400	2-17	A7PU593201	32-7	A7PU944900	32-9
A79JR72211	25A-22	A7PU138100	4-8	A7PU168500	4-5	A7PU593500	33-12	A7PU947001	51-14
A7AH621000	24A-22	A7PU138200	4-7	A7PU168600	4-6	A7PU593700	33-16	A7PU947101	51-14
A7AH621000	26A-22	A7PU138301	4-9	A7PU168702	2-14	A7PU594000	32-34	A7PU947201	51-14
A7AH621200	24A-23	A7PU139000	44-5	A7PU168800	3-21	A7PU595500	32-6	A7PU947302	51-14
A7AH621200	26A-23	A7PU139100	44-6	A7PU169700	51-16	A7PU596000	32-32	A7PUF21000	12-10
A7AH624300	23-8	A7PU139800	46-19	A7PU169900	51-1	A7PU596100	32-4	A7PUF60000	33-11
A7AH624300	25-9	A7PU139900	46-25	A7PU170101	5-9	A7PU596200	32-2	A7PUH00500	9-6
A7AHM50400	27-29	A7PU140100	46-14	A7PU170200	5-1	A7PU596700	32-30	A7PUH00800	9-9
A7AHN30000	51-15	A7PU141800	43-8	A7PU170300	5-12	A7PU596900	31-30	A7PUH01A01	6-21
A7PU100600	44-11	A7PU142100	2-12	A7PU170400	5-6	A7PU599300	33-20	A7PUH01D00	6-21
A7PU101500	44-13	A7PU142100	2-27	A7PU170600	5-4	A7PU627500	22-3	A7PUH0211G	46-3
A7PU102201	21-2	A7PU142300	36-18	A7PU170702	5-3	A7PU700100	27-25	A7PUH0211G	46-3
A7PU102301	21-5	A7PU142800	2-12	A7PU216100	39-4	A7PU700111	27-25	A7PUM10000	39-5
A7PU104000	21-17	A7PU142800	2-28	A7PU240101	40-4	A7PU701000	27-42	A7PUM10000	42-2
A7PU106100	22-14	A7PU143300	36-17	A7PU241200	40-14	A7PU701100	27-43	A7PUM10100	39-6
A7PU109000	15-18	A7PU143400	36-19	A7PU241500	40-12	A7PU701200	27-7	A7PUM10200	39-7
A7PU109100	2-34	A7PU145900	9-14	A7PU241600	40-1	A7PU810101	34-2	A7PUM10300	34-20
A7PU130200	44-15	A7PU146000	9-15	A7PU270100	7-10	A7PU810200	34-13	A7PUM10400	37-1
A7PU130300	9-8	A7PU147400	9-13	A7PU270600	7-12	A7PU810800	35-5	A7PUM10600	40-3
A7PU130400	46-15	A7PU160100	1-2	A7PU402000	10-3	A7PU810900	35-24	A7PUM10700	11-16
A7PU130800	45-2	A7PU160200	1-11	A7PU405100	10-3	A7PU811300	34-21	A7PUM10700	40-2
A7PU130811	45-2	A7PU160700	1-18	A7PU405200	10-3	A7PU819600	34-22	A7PUM10700	42-1
A7PU130900	46-7	A7PU160800	1-19	A7PU405300	10-3	A7PU825500	35-29	A7PUM40600	43-10
A7PU131101	46-4	A7PU160902	2-15	A7PU407001	11-29	A7PU890200	38-14	A7PUM70004	4-1
A7PU131603	46-18	A7PU161400	4-19	A7PU407100	11-30	A7PU890700	38-17	A7PUM70104	4-1
A7PU131903	46-2	A7PU161501	4-4	A7PU567500	18-23	A7PU890800	38-37	A7PUM70204	4-1
A7PU132100	43-4	A7PU161600	2-33	A7PU567600	18-22	A7PU940100	1-12	A7PUM70303	4-1
A7PU132301	2-9	A7PU161701	4-25	A7PU567700	18-21	A7PU940600	5-2	A7PUM70403	4-1
A7PU132502	43-2	A7PU161806	2-13	A7PU568400	18-7	A7PU941000	1-12	A7PUM72100	4-12
A7PU133100	46-16	A7PU161900	4-16	A7PU569100	16-3	A7PU941600	6-28	A7PUM92500	46-23
A7PU133200	45-3	A7PU162100	2-2	A7PU577500	20-24	A7PU941701	2-6	A7PUN10001	47-1
A7PU133211	45-3	A7PU162200	2-21	A7PU577600	20-23	A7PU942100	3-12	A7PUN10100	48-1
A7PU134500	46-1	A7PU162600	4-3	A7PU577700	20-22	A7PU942600	3-9	A7PUN10201	49-1
A7PU134600	46-7	A7PU164100	4-14	A7PU578400	20-8	A7PU944100	33-5	A7PUN10302	2-1
A7PU134700	46-29	A7PU166101	51-13	A7PU592000	33-13	A7PU944200	33-5	A7PUN10401	22-1
A7PU134800	46-25	A7PU166303	2-4	A7PU592100	33-3	A7PU944301	33-4	A7PUN10501	22-2
A7PU135402	4-15	A7PU166316	2-4	A7PU593000	32-5	A7PU944401	33-1	A7PUN10600	9-11

Parts No.	Page No.
A7PUN10700	46-17
A7PUN10800	46-13
A7PUN10900	33-17
A7PUN10A00	32-23
A7PUN10B01	33-19
A7PUN11001	47-1
A7PUN14000	7-5
A7PUN14500	7-2
A7PUN15100	46-11
A7PUN15200	46-10
A7PUN15300	4-13
A7PUN15600	4-31
A7PUR70000	2-30
A7PUR70000	2-31
A7PUR70100	7-4
A7PUR70500	13-8
A7PUR70611	13-7
A7PUR70700	44-4
A7PUR70800	44-4
A7PUR70911	39-9
A7PUR71000	7-8
A7PUR71111	6-19
A7PUR71200	9-12
A7PUR71322	10-18
A7PUR71422	10-18
A7PUR71522	10-18
A7PUR71722	31-29
A7PUR71822	31-29
A7PUR71900	43-6
A7PUR72011	40-16
A7PUR72111	41-28
A7PUR72200	23-22
A7PUR72322	25-22
A7PUR72411	28-25
A7PUR72600	10-18
A7PUR72700	44-4
A7PUR73100	4-21
A7PUR75100	2-29
A7PUR75100	2-32
A7PUR75200	7-4

Parts No.	Page No.
A9HJR70611	16-9
V116030804	51-12
V116033003	51-10
V153030803	51-11
V500010052	50-7
V500010081	50-1
V500010082	50-2
V500010083	50-3
V500010084	50-4
V500010085	50-19
V500020040	51-9
V500020052	50-9
V500020069	50-15
V500020082	50-10
V500020098	50-5
V500020099	50-6
V500020100	50-8
V500020101	50-18
V500020110	50-17
V502010026	44-14
V503010002	46-20
V570010021	50-11
V570010050	50-16
V570010057	50-12
V570010059	50-13
V570010060	50-14
V651010002	44-8
V651010025	46-22
V651010045	45-15
V800500300	27-22
V800500300	28-7
V864800107	46-24

EXTERNAL PARTS

改訂版 REVISED EDITION	日付 DATE
	DECEMBER 2015

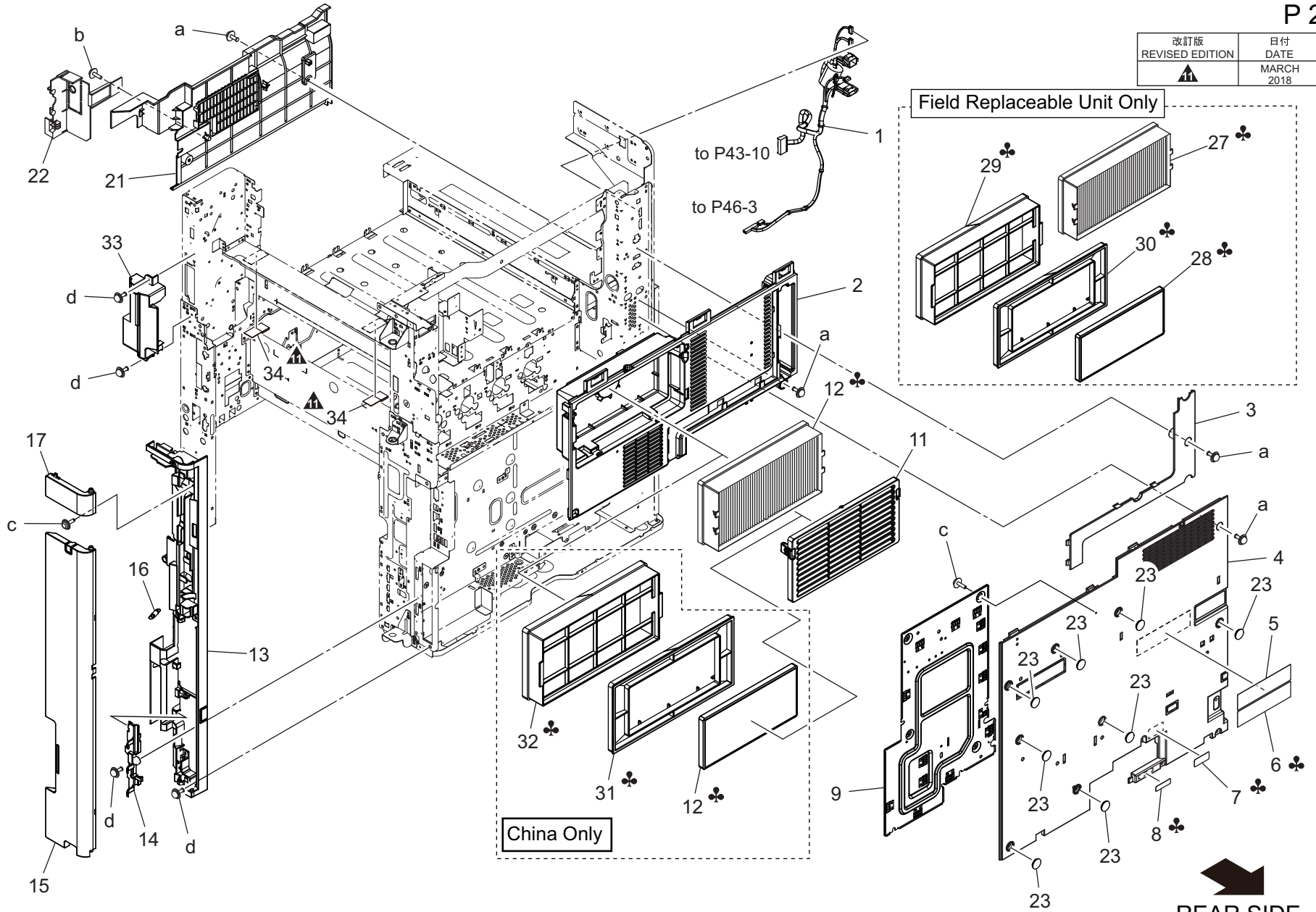


EXTERNAL PARTS

Key	Part No.	Description	Destinations	Class	QTY	Standard parts
1	A161161002	Tray		C	1	a-V116030804 b-V149030803 c-V153030803 d-V153031004 e-V116030803
2	A7PU160100	Cover /Upper		C	1	
3	A0ED163000	Seal		C	1	
4	A0ED940700	Label Toner 2		D	4	
5	A161N10K00	Indicating Wiring		D	1	
6	A5C1160401	Cover		C	1	
7	A00JH00D00	PWB Assembly LED1		C	2	
8	A161160300	Cover		C	1	
9	A0G6411200	Magnet /X		D	2	
10	A161161303	Open/close Cover /Front		C	1	
11	A7PU160200	Open/close Cover /Front		C	1	
12	A7PU940100	Label bizhub C368	(bizhub C368)	C	1	
12	A7PU941000	Label	(bizhub C236DN)	C	1	
13	A00J945500	Logo Mark		C	1	
14	A161940400	Label	A,A1,B,C,D1,D3,E,F2 ,G1,G2,I,K,H	C	1	
14	A61F940400	Label	J	C	1	
15	A5C1R71600	Cleaning Material		C	1	
16	56AA40490	SHAFT STOPPER 4		C	1	
17	A161165602	Support Shaft		C	1	
18	A7PU160700	Cover /Left		C	1	
19	A7PU160800	Cover /Left		C	1	
20	A00J106202	Cleaning Pad		C	1	

EXTERNAL PARTS

改訂版 REVISED EDITION	日付 DATE
▲	MARCH 2018

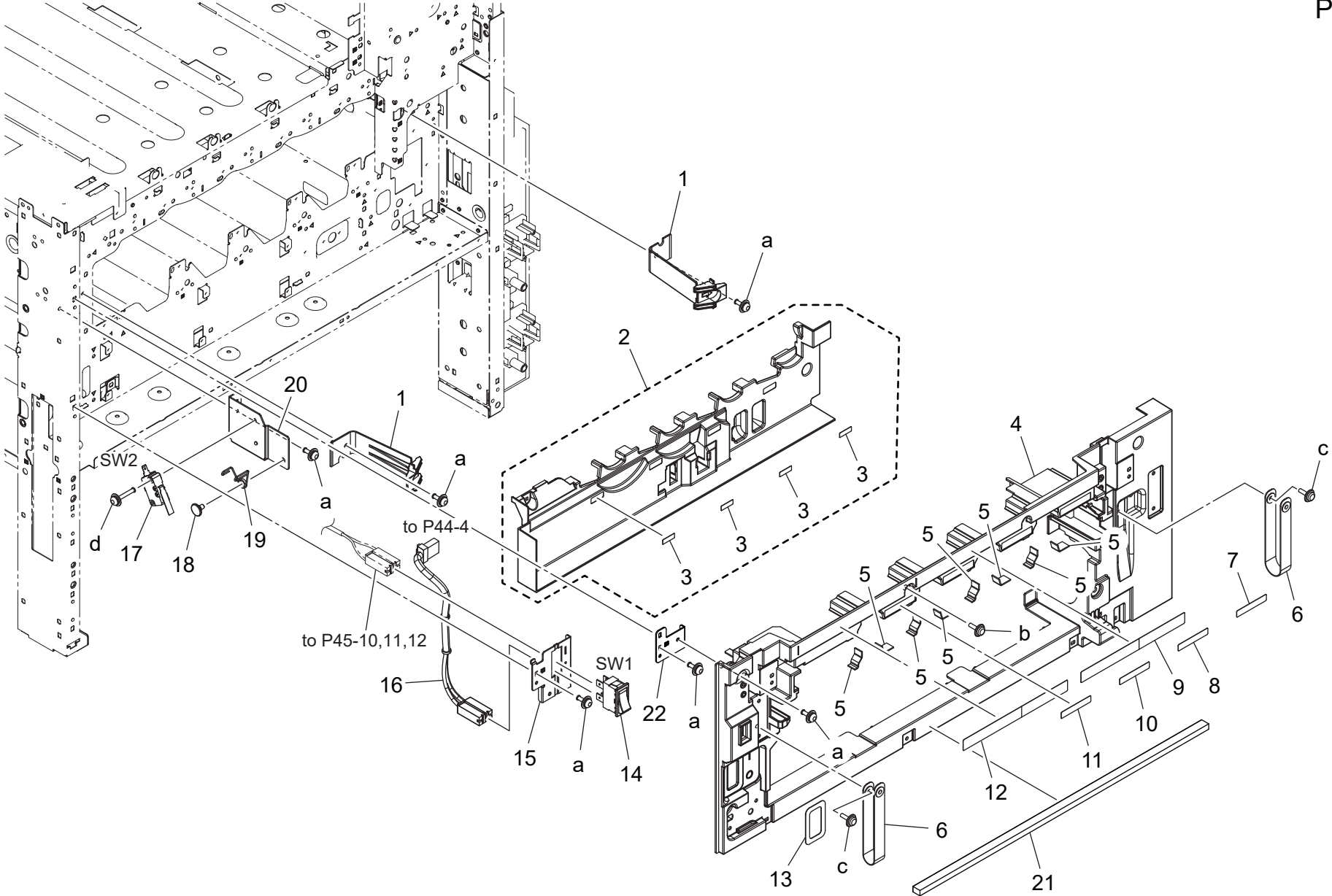


REAR SIDE
bizhub C368

EXTERNAL PARTS

Key	Part No.	Description	Destinations	Class	QTY	Standard parts	
1	A7PUN10302	FNS Relay harness	F N S 中継束線	D	1	a-V116030804 b-V153030804 c-V153030803 d-V116030803	
2	A7PU162100	Cover	カバー	C	1		
3	A161163503	Cover	カバー (目隠し・後上)	C	1		
4	A7PU166303Old	Cover	カバー	C	1		
4	A7PU166316	Cover	カバー	C	1		
5	A2X0945701	Label	ラベル (2プラグ注意)	C	1		
6	A7PU941701	Label Caution	ラベル アース注意	C,I (South Africa)	1		
7	A02E149900	Label	ラベル (定格)	A,A1	1		
8	A00J945201	Label 220-240V 0.65A	ラベル	C,D1,D3,E,F2,G1,I,K ,J	1		
9	A7PU132301	Shield Plate	シールド板	C	1		
11	A7PU168301	Cover	カバー	C	1		
12	A7PU142100	Filter	フィルタ	C,I (South Africa)	1		
12	A7PU142800	Filter	フィルタ (活性炭)	J	1		
13	A7PU161806	Cover	カバー	C	1		
14	A7PU168702	Cover	カバー	D	1		
15	A7PU160902	Cover	カバー	C	1		
16	A161163900	Pulling Coil spring	引張りコイルばね	C	1		
17	A7PU168400	Fixing Part	固定部材	D	1		
21	A7PU162200	Cover	カバー	C	1		
22	A161162803	Cover	カバー (排紙・奥右)	C	1		
23	A00J169100	Cover	蓋	D	8		
27	A7PU142100	Filter	フィルタ	A,A1,B,D1,D3,E,F2,G 1,G2,I(Except South Africa),K,H	1		
28	A7PU142800	Filter	フィルタ (活性炭)	A,A1,B,C,D1,D3,E,F2 ,G1,G2,I,K,H	1		
29	A7PUR75100	Filter Case/Outside	フィルタケース/外	A,A1,B,D1,D3,E,F2,G 1,G2,I(Except South Africa),K,H	1		
30	A7PUR70000	Filter Case/Inside	フィルタケース/内	A,A1,B,C,D1,D3,E,F2 ,G1,G2,I,K,H	1		
31	A7PUR70000	Filter Case/Inside	フィルタケース/内	J	1		
32	A7PUR75100	Filter Case/Outside	フィルタケース/外	J	1		
33	A7PU161600	Cover	カバー (右前・定着1次)	C	1		
34	A7PU109100	Cushion	クッション	C	2		


INNER COVER SECTION

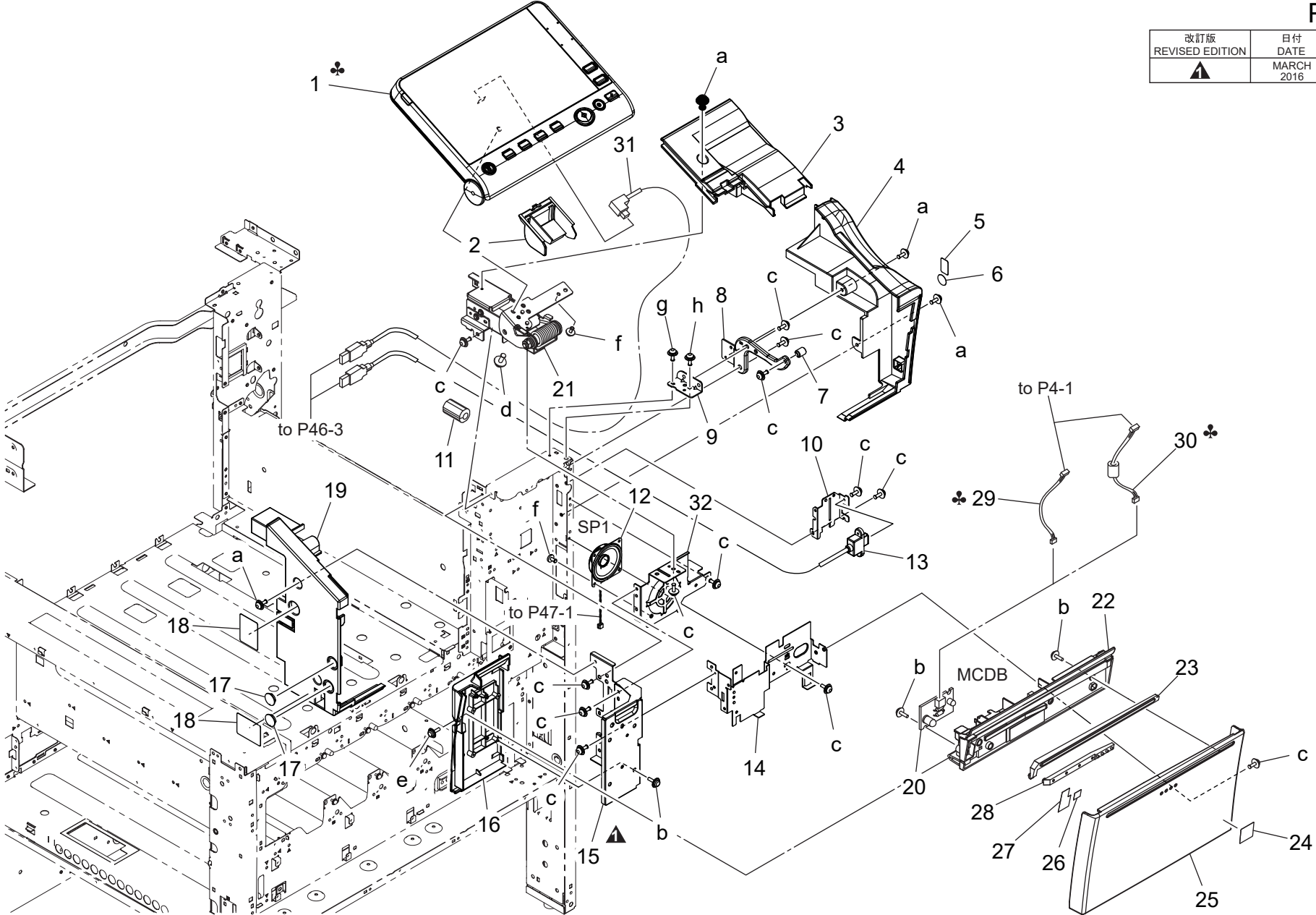


INNER COVER SECTION

Key	Part No.	Description	Destinations	Class	QTY	Standard parts
1	A161165700	Fixing Claw		D	2	a-V116030803 b-V153030804 c-V153031003 d-V116031603
2	A161F16102	Cover Front(2nd)		C	1	
3	A161943000	Label		C	4	
4	A161165007	Cover /Front		C	1	
5	A161165300	Protection Part		C	8	
6	A0ED162401	Band		D	2	
7	A161942500	Label DR/K		D	1	
8	A161942400	Label DR/C		D	1	
9	A7PU942600	Label		D	1	
10	A161942300	Label DR/M		D	1	
11	A161942200	Label DR/Y		D	1	
12	A7PU942100	Label		D	1	
13	A161942000	Label		D	1	
14	4038M60000	SEESAW-SWITCH		C	1	
15	A161135100	Mounting Plate		D	1	
16	A61FN12A00	AC Wiring /A		D	1	
17	9J06M60100	MICRO SWITCH		C	1	
18	4038228702	SHOULDER SCREW		C	1	
19	A161151300	Torsion Coil spring		D	1	
20	A161151100	Mounting Plate		D	1	
21	A7PU168800	Seal		C	1	
22	A7PU135500	Mounting Plate		D	1	

OPERATION PANEL SECTION

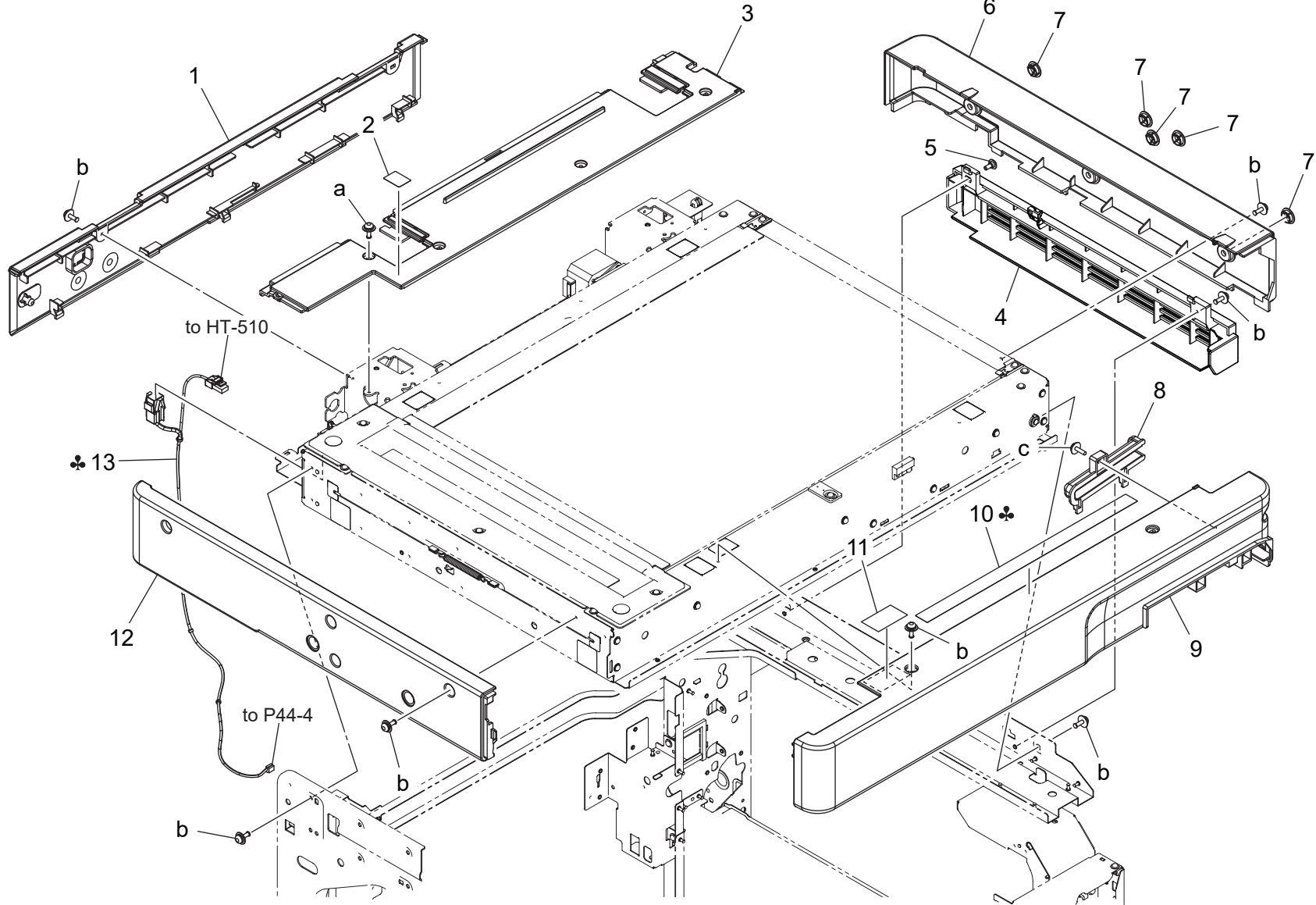
改訂版 REVISED EDITION	日付 DATE
	MARCH 2016



OPERATION PANEL SECTION

Key	Part No.	Description	Destinations	Class	QTY	Standard parts	
1	A7PUM70004	Panel assembly	操作パネル ASSY (国内)	A,A1	1	a-V116030804 b-V153030803 c-V116030803 d-V125041003 e-V153030804 f-V126030603 g-V116030603 h-V137030803	
1	A7PUM70104	Panel assembly	操作パネル ASSY (北米)	B,D1,D3,E,F2,G1,G2, I (Except South Afr ica),K	1		
1	A7PUM70204	Panel assembly	操作パネル ASSY (欧州)	C,I (South Africa)	1		
1	A7PUM70303	Panel assembly	操作パネル ASSY (中国)	J	1		
1	A7PUM70403	Panel assembly	操作パネル ASSY (台湾)	H	1		
2	A161190903	Cover	カバー (操作パネル下・ヒンジ)		C		1
3	A7PU162600	Cover	カバー		C		1
4	A7PU161501	Cover	カバー		C		1
5	A7PU168500	Seal	シール		C		1
6	A7PU168600	Seal	シール		C		1
7	A7PU138200	Connecting Shaft	連結軸		D		1
8	A7PU138100	Reinforce Plate	補強板		D		1
9	A7PU138301	Reinforce Plate	補強板		D		1
10	A7PU138002	Mounting Plate	取付板		D		1
11	A5C1M92000	Ferritecore	フェライトコア		D		1
12	A7PUM72100	Speaker	スピーカ		D		1
13	A7PUN15300	Interface Cable	インターフェースケーブル (USB (前面))		D	1	
14	A7PU164100	Mounting Plate	取付板		D	1	
15	A7PU135402	Support Plate	支持板		D	1	
16	A7PU161900	Cover	カバー		C	1	
17	A00J169100	Cover	蓋		D	2	
18	A161162400	Seal	シール (目隠し)		C	2	
19	A7PU161400	Cover	カバー		C	1	
20	A161H00U01	PWB Assembly(PWB-LED ASSY)	基板 ASSY (PWB-LED ASSY)		C	1	
21	A7PUR73100	Mounting Plate Assy	操作パネル取付板 Assy		C	1	
22	A5C1167800	Light blocking Cover	遮光カバー		D	1	
23	A161167000	Lens	レンズ (ライトガイド・上)		D	1	
24	A011946200	Label Emperon	ラベル Emperon		D	1	
25	A7PU161701	Cover	カバー		C	1	
26	A161167400	Light blocking Sheet /2	遮光シート /2		D	1	
27	A161167300	Light blocking Sheet /1	遮光シート /1		D	1	
28	A161167100	Lens	レンズ (ライトガイド・中)		D	1	
29	A5C1N10B00	Indicating Wiring/3	表示束線 /3	A,A1,B,G2	D	1	
30	A5C1N10D00	InIndicating Wiring/4	表示束線 /4	C,D1,D3,E,F2,G1,I,K J,H	D	1	
31	A7PUN15600	Interface Cable	インターフェースケーブル (パネル)		D	1	
32	A7PU137301	Mounting Plate	取付板		D	1	


IR COVER SECTION

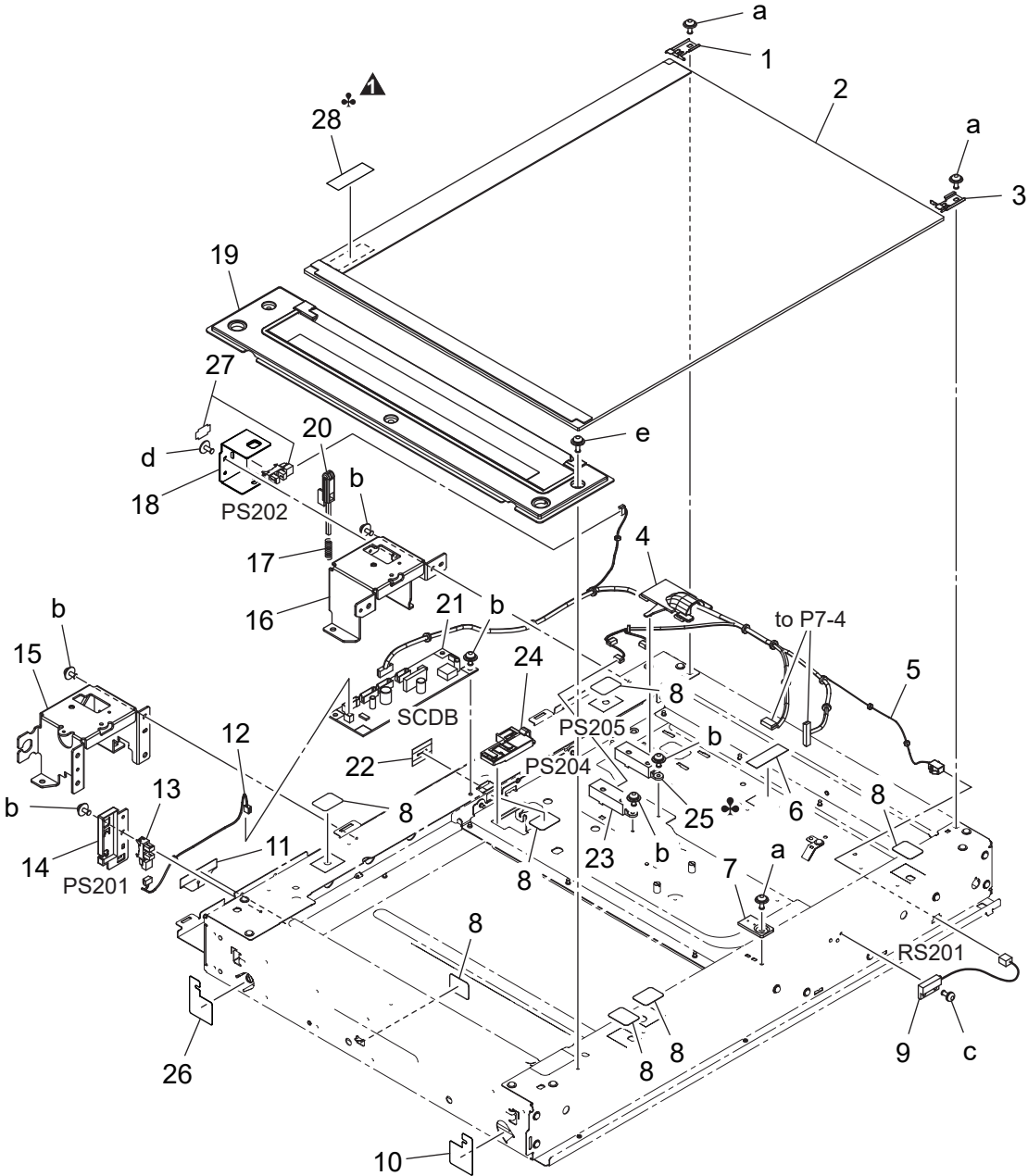


IR COVER SECTION

Key	Part No.	Description	Destinations	Class	QTY	Standard parts
1	A7PU170200	Read Cover /Rear		C	1	a-V116030804 b-V116030803 c-V153030803
2	A7PU940600	Label		D	1	
3	A7PU170702	Read Cover		C	1	
4	A7PU170600	Read Cover		C	1	
5	A00J169300	Shoulder screw		C	1	
6	A7PU170400	Read Cover /Right		C	1	
7	A02E167700	Cover		C	5	
8	A161170800	Holder		D	1	
9	A7PU170101	Read Cover /Front		C	1	
10	A3EW944600	Label	A,A1	C	1	
11	A0HF952400	Label		C	1	
12	A7PU170300	Read Cover /Left		C	1	
13	A161N11C01	Scanner Relay harness /100V	A,A1	D	1	

SCANNER SECTION

改訂版 REVISED EDITION	日付 DATE
	DECEMBER 2015

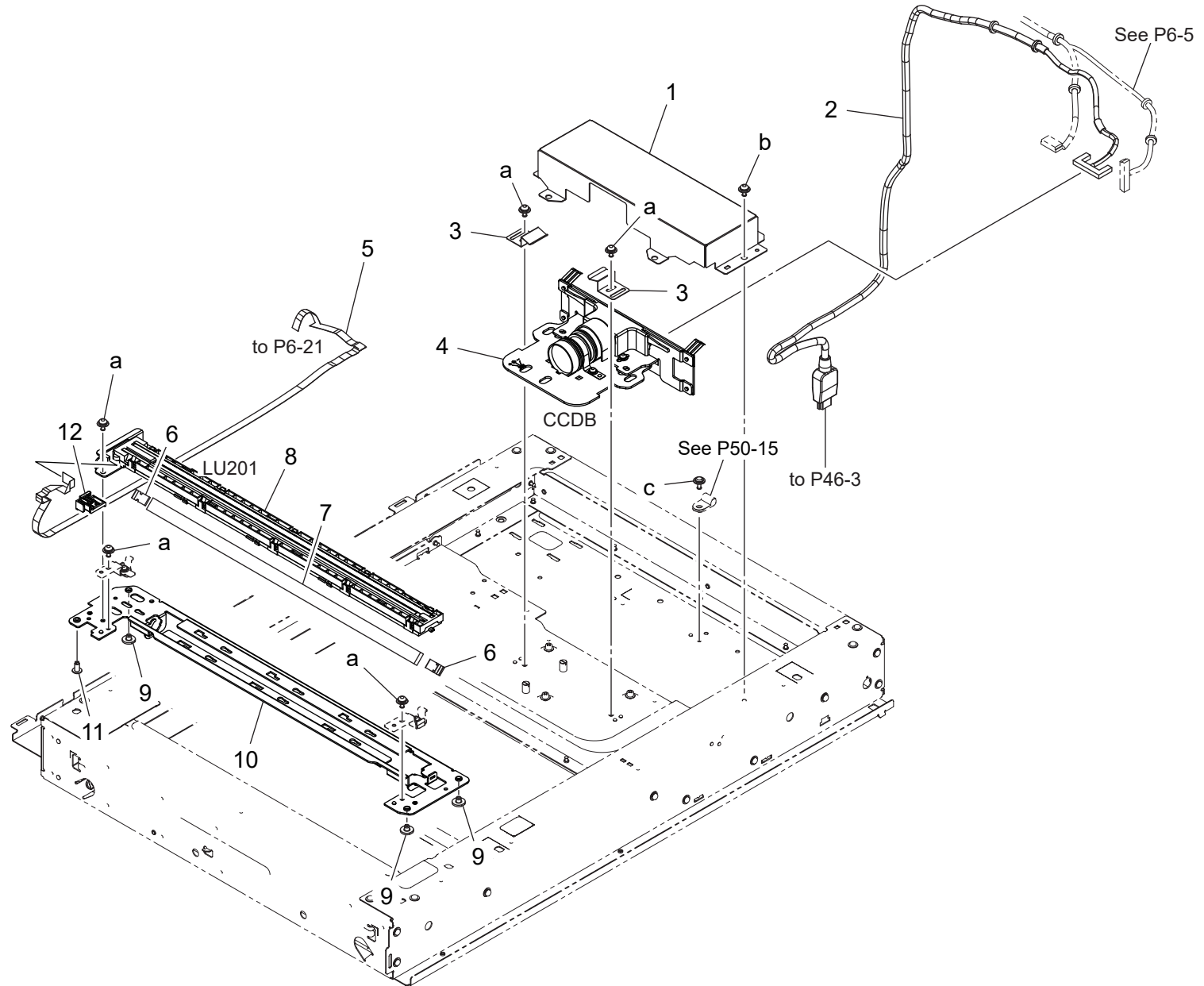


SCANNER SECTION

Key	Part No.	Description	Destinations	Class	QTY	Standard parts
1	A161268300	Holding Plate		D	1	a-V121030604 b-V116030603 c-V115030603 d-V137030603 e-V116030804
2	A161R72200	Original Glass Assy		C	1	
3	A161268200	Holding Plate		D	1	
4	A161281600	Guide		D	1	
5	A161N14100	Scanner Wiring /1		D	1	
6	4036307501	Tape		D	1	
7	A00J265300	Regulating Plate		C	1	
8	4581162501	SEAL		C	7	
9	A1UDM50200	Lead Switch		C	1	
10	A5C1263300	Seal		C	1	
11	A161263000	Seal		D	1	
12	A161N14201	Scanner Wiring /2		D	1	
13	A5C1M50100	Photointerrupter		B	1	
14	A161262200	Cover		D	1	
15	A161261902	Frame		D	1	
16	A161262002	Frame		D	1	
17	A161280300	Compressing Coil spring		C	1	
18	A5C1280100	Mounting Plate		D	1	
19	A7PUR71111	Slit Glass Assy		C	1	
20	A161280211	Lever		D	1	
21	A7PUH01A01	PWB Assembly (ID)	(Except Refresh Model)	I	1	
21	A7PUH01D00	PWD-ID	(Refresh Model)	I	1	
22	A161281300	Seal		D	1	
23	A161M50A00	APS Photoreflector		C	1	
24	A161281100	Guide		D	1	
25	A161M50A00	APS Photoreflector	D1,D3,E,F2,G1,I (Except South Africa), K,H	C	1	
26	A5C1263400	Seal		C	1	
27	A5C1R90000	Photo Interrupter		B	1	
28	A7PU941600	Label	J	C	1	

SCANNER SECTION


P 7

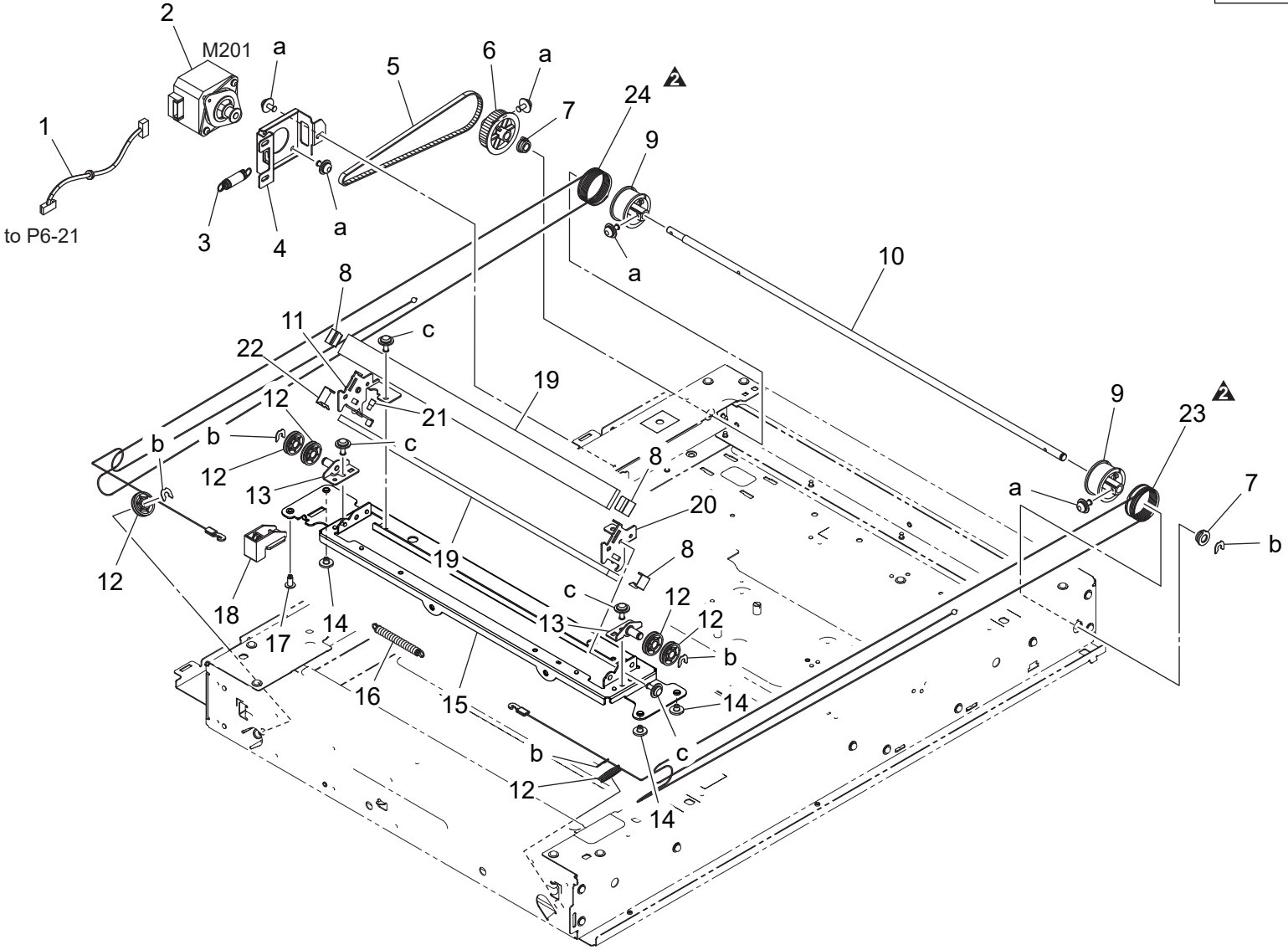


SCANNER SECTION

Key	Part No.	Description	Destinations	Class	QTY	Standard parts
1	A161278600	Cover		D	1	a-V116030603 b-V127030516 c-V137030804
2	A7PUN14500	CCD Cable		D	1	
3	A161278900	Plate spring		D	2	
4	A7PUR70100	CCD Lens Assy		I	1	
4	A7PUR75200	CCD Lens Assy	(Except Refresh Model) (Refresh Model)	I	1	
5	A7PUN14000	Flatcable /Scanner		D	1	
6	A0ED271300	Plate spring		D	2	
7	A0ED271200	Mirror		D	1	
8	A7PUR71000	LED Lighting Assy		I	1	
9	A161271000	Bushing		D	3	
10	A7PU270100	Frame		D	1	
11	A161271100	Bushing		D	1	
12	A7PU270600	Guide		D	1	

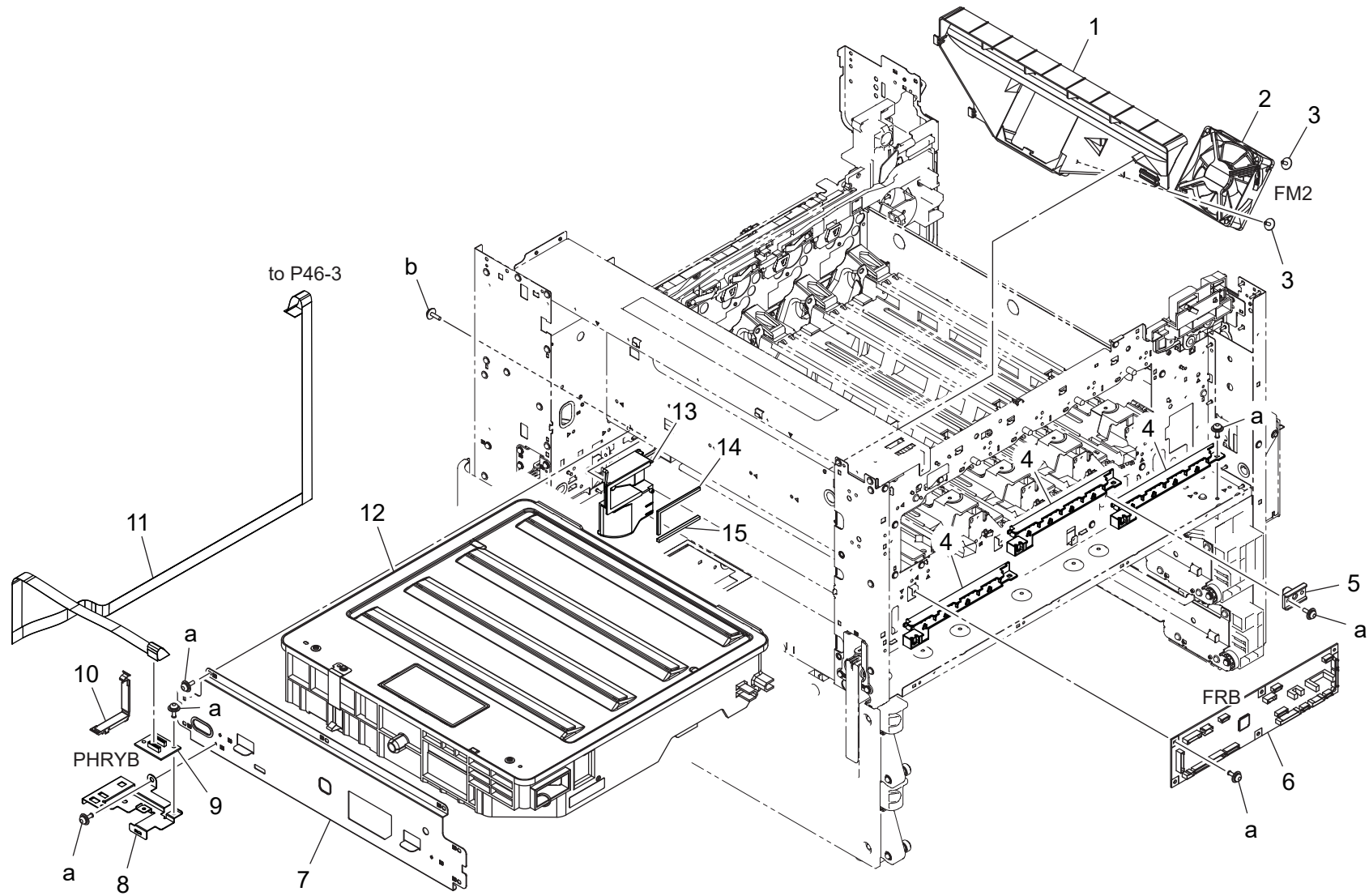
SCANNER SECTION

改訂版 REVISED EDITION	日付 DATE
	MAY 2017



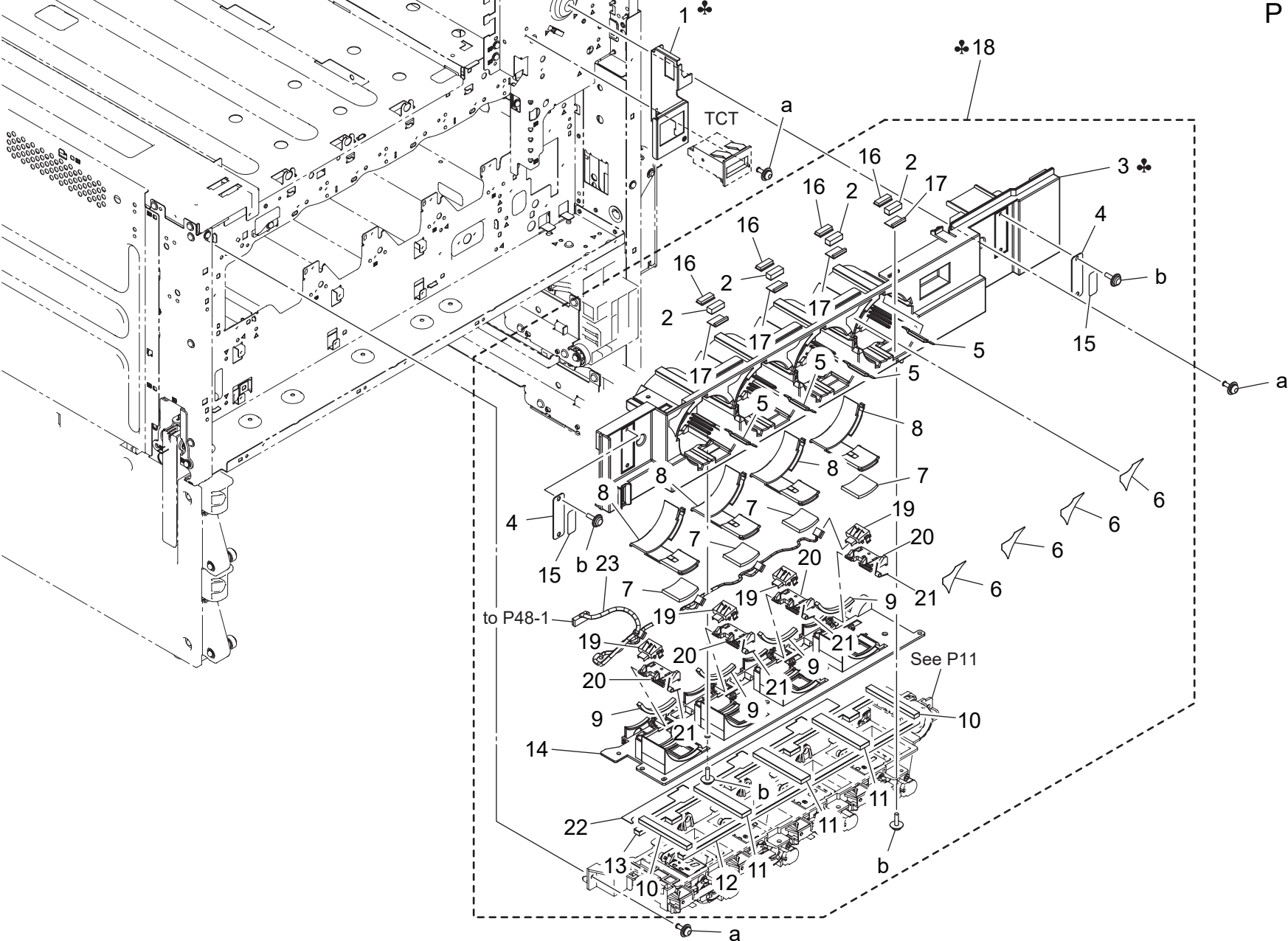
SCANNER SECTION

Key	Part No.	Description	Destinations	Class	QTY	Standard parts
1	A5C1N14300	Scanner Wiring		D	1	a-V116030603 b-V218040086 c-V137030603
2	A5C1M10A00	Stepping motor		C	1	
3	A161275700	Pulling Spring		D	1	
4	A161276000	Mounting Plate		D	1	
5	A161275600	Timing belt 335L		D	1	
6	A161275500	Pulley 103T		D	1	
7	A161276500	Bearing		D	2	
8	A0ED274400	Plate spring		D	3	
9	A161275300	Pulley		D	2	
10	A161275400	Shaft		D	1	
11	A161273701	Mounting Plate		D	1	
12	A0ED273600	Pulley		C	6	
13	A161273401	Mounting Plate		D	2	
14	A161271000	Bushing		D	3	
15	A161273113	Frame		D	1	
16	A0ED276301	Pulling Spring		D	1	
17	A161271100	Bushing		D	1	
18	A161273500	Guide Part		D	1	
19	A0ED274300	Mirror		D	2	
20	A161273800	Mounting Plate		D	1	
21	A161274600	Adjusting Screw		C	1	
22	A161274500	Plate spring /1		D	1	
23	A161275113	Wire /Front		C	1	
24	A161275213	Wire /Rear		C	1	



Key	Part No.	Description	Destinations	Class	QTY	Standard parts
1	A161140200	Duct		D	1	a-V116030803 b-V153030803
2	4139M10000	Fan motor		B	1	
3	4163529301	SCREW		C	2	
4	A5C1135300	Guide		D	3	
5	A161105400	Positioning Plate		D	1	
6	A7PUH00500	PWB Assembly (FRB)		I	1	
7	A161101802	Mounting Plate		D	1	
8	A7PU130300	Mounting Plate		D	1	
9	A7PUH00800	PHRYB		C	1	
10	A161137802	Holder		D	1	
11	A7PUN10600	I/F Flatcable		C	1	
12	A7PUR71200	Print Head Assy		I	1	
13	A7PU147400	Duct		D	1	
14	A7PU145900	Seal		C	1	
15	A7PU146000	Seal		C	1	

TONER SUPPLY SECTION

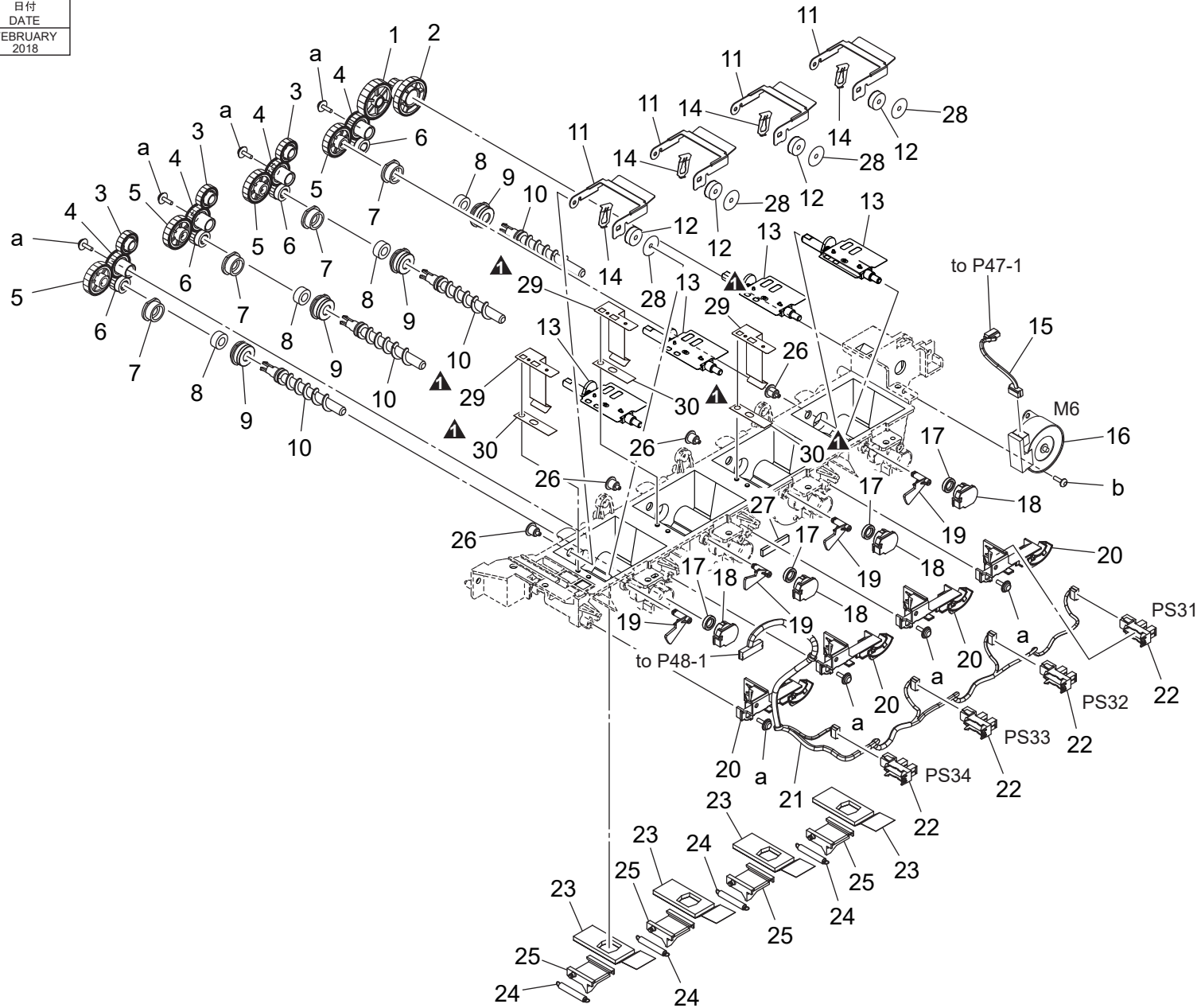


TONER SUPPLY SECTION

Key	Part No.	Description		Destinations	Class	QTY	Standard parts
1	A5C1120700	Reinforce Plate	補強板 (I R 前右)	A,A1	D	1	a-V116030803 b-V153030803
1	A5C1120800	Reinforce Plate	補強板 (I R 前右)	B,C,D1,D3,E,F2,G1,G 2,I,K,J,H	D	1	
2	A161403701	Seal	シール (トナー拭き取り)		D	4	
3	A7PU402000	Cover	カバー	A,A1	D	1	
3	A7PU405100	Cover	カバー	B,G2	D	1	
3	A7PU405200	Cover	カバー	C,I (South Africa)	D	1	
3	A7PU405300	Cover	カバー	D1,D3,E,F2,G1,I (Ex cept South Africa), K,J,H	D	1	
4	4038101401	SUCTION PLATE	吸着板		D	2	
5	A161403901	Spacer	スペーサ (調整部材)		D	4	
6	A0ED940600	Label Toner 1	ラベル (T N 操作 1)		D	4	
7	A161402502	Seal	シール (補給口)		D	4	
8	A161402403	Shutter	シャッター (補給口)		D	4	
9	A161403800	Seal	シール (シャッター)		D	4	
10	A161403500	Seal	シール (補給口)		D	2	
11	A161403600	Seal	シール (補給口)		D	3	
12	A161403300	Seal	シール (補給口)		D	1	
13	A161403403	Seal	シール (補給口)		D	1	
14	A161402115	Cover	カバー (補給口)		D	1	
15	A5C1404500	Seal	シール (吸着板)		C	2	
16	A161404001	Seal /1	シール / 1 (トナー拭き取り)		D	4	
17	A161404100	Seal /2	シール / 2 (トナー拭き取り)		D	4	
18	A7PUR71322	Sub Hopper Assy	サブホッパー A s s y	A,A1	S	1	
18	A7PUR71422	Sub Hopper Assy	サブホッパー A s s y	B,G2	S	1	
18	A7PUR71522	Sub Hopper Assy	サブホッパー A s s y	C,I (South Africa)	S	1	
18	A7PUR72600	Sub Hopper Assy	サブホッパー A s s y	D1,D3,E,F2,G1,I (Ex cept South Africa), K,J,H	S	1	
19	A0EDM60001	Relay Connector	中継コネクタ (基板接点)		D	4	
20	A2XK400001	Holder	ホルダ (接点)		D	4	
21	A2XK400100	Torsion Coil spring	ねじりコイルばね		D	4	
22	A2XK400200	Partition	仕切		D	1	
23	A2XKN10B00	Toner Detection harness /2	トナー検知束線 / 2 (T B 新品検出)		D	1	

TONER SUPPLY SECTION

改訂版 REVISED EDITION	日付 DATE
▲	FEBRUARY 2018

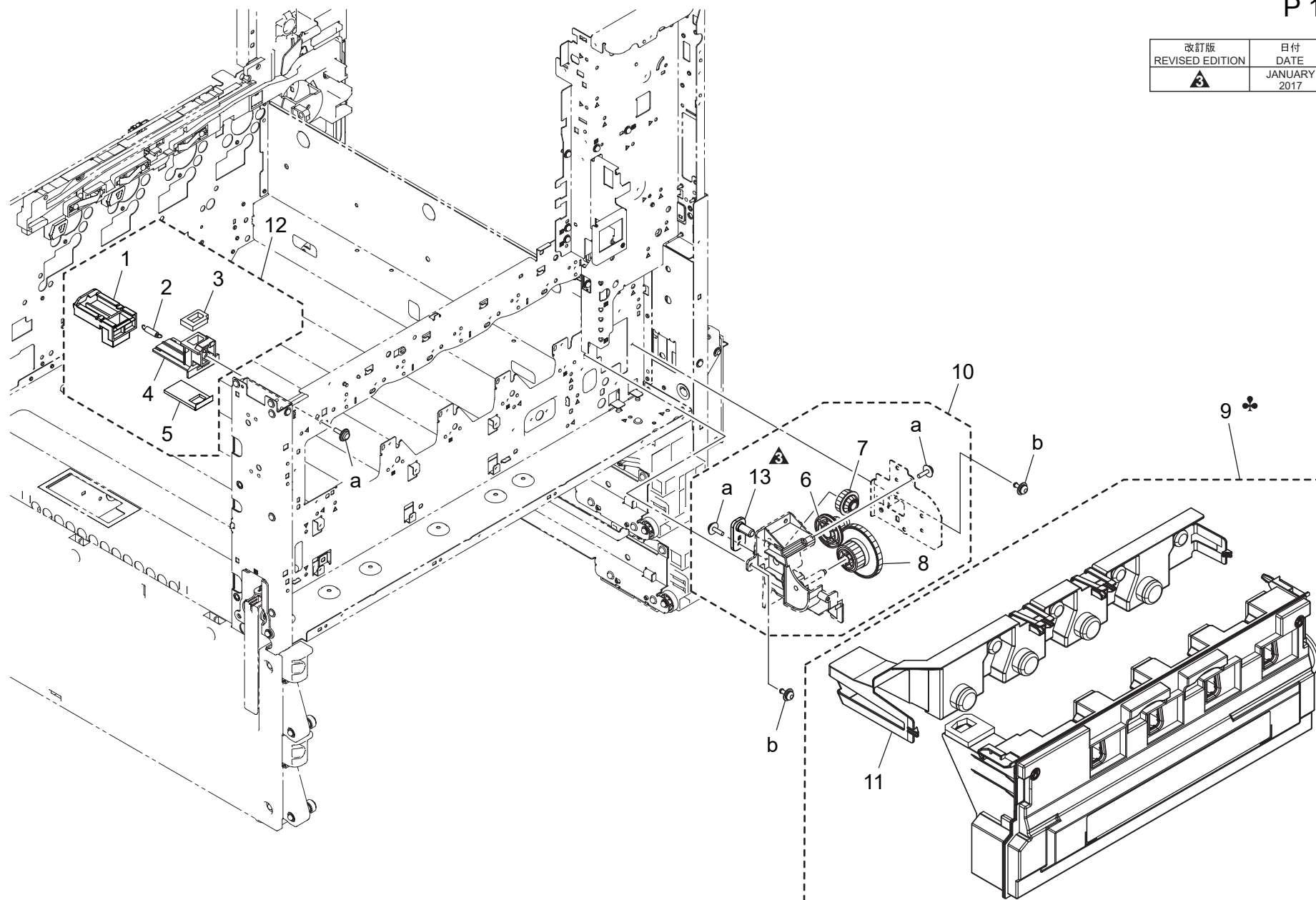


TONER SUPPLY SECTION

Key	Part No.	Description	Destinations	Class	QTY	Standard parts
1	A161401400	Gear 43T		C	1	a-V153030803 b-V145030803
2	A161401300	Gear 17/65T		C	1	
3	A161401500	Gear 25T		C	3	
4	A161401200	Gear 28T		C	4	
5	A161401100	Gear 36T		C	4	
6	A161401000	Gear 18T		C	4	
7	4163510201	BUSHING		C	4	
8	4576536301	SEAL		D	4	
9	A161403101	Holder		C	4	
10	A161400100	Screw		C	4	
11	A161400401	Detecting Plate		D	4	
12	A161400601	Detecting Seal		D	4	
13	A5C1F42000	Agitating Shaft		D	4	
14	A161404200	Fixing Plate		D	4	
15	A161N12801	Toner Drive harness /K		D	1	
16	A7PUM10700	Stepping motor		C	1	
17	4333501201	SEAL		D	4	
18	A161403000	Bushing		D	4	
19	A161404300	Detecting Actuator		D	4	
20	A161400701	Mounting Plate		D	4	
21	A161N10F01	Toner Detection harness /1		D	1	
22	A5C1M50100	Photointerrupter		B	4	
23	A161403200	Seal		D	4	
24	4036534801	TENSION SPRING		C	4	
25	A0ED401000	Shutter		D	4	
26	A161400800	Pin		D	4	
27	A161146800	Seal		D	1	
28	A5C1404600	Washer		D	4	
29	A7PU407001	Agitating Part		D	3	
30	A7PU407100	Duplex Tape		C	3	

WASTE TONER BOX SECTION

改訂版 REVISED EDITION	日付 DATE
	JANUARY 2017

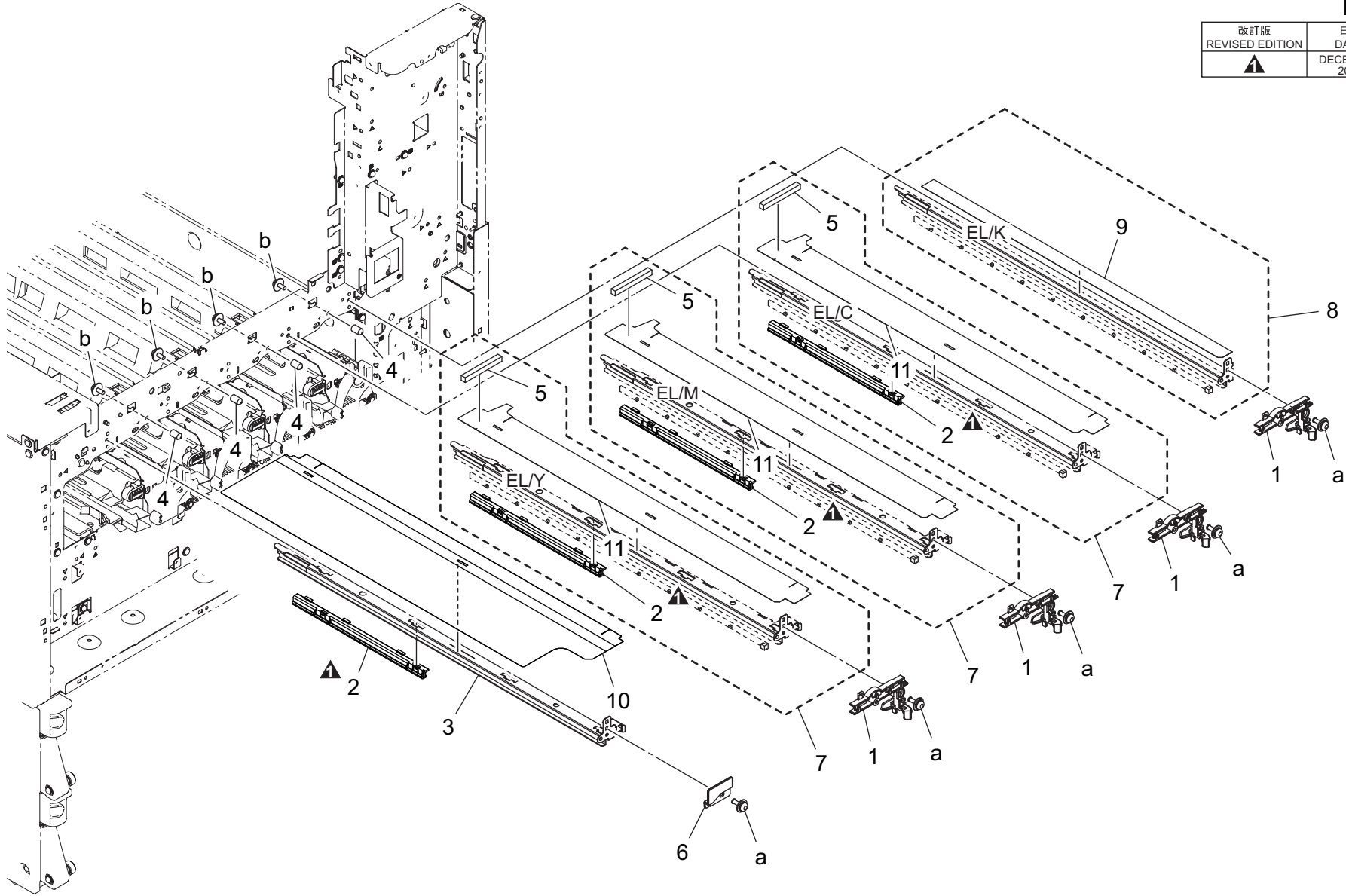


WASTE TONER BOX SECTION

Key	Part No.	Description	Destinations	Class	QTY	Standard parts
1	A64J363700	Shutter		D	1	a-V153030803 b-V125030818
2	A0ED363200	Pulling Coil spring		D	1	
3	A0ED363400	Seal		D	1	
4	A0ED363001	Pipe		D	1	
5	A0ED363312	Seal		D	1	
6	A161245100	Gear 16/40T		D	1	
7	A0ED245000	Gear 20/20T		D	1	
8	A161245400	Gear 16/51T		D	1	
9	A4NNWY3	WASTE TONER BOX	廃棄トナーボックス	A	1	
9	A4NNWY3	WASTE TONER BOX	廃棄トナーボックス	C	1	
9	A4NN0Y1	WASTE TONER BOX	廃棄トナーボックス	B	1	
9	A4NN0Y1	WASTE TONER BOX	廃棄トナーボックス	A,A1	1	
10	A7PUF21000	Waste Toner Driva	廃トナー駆動	C	1	
11	A161362000	Cover	蓋	C	1	
12	A64JR71400	Waste Toner Pipe	廃トナーパイプ	C	1	
13	A797245300	Shaft	軸	D	1	

ERASE LAMP SECTION

改訂版 REVISED EDITION	日付 DATE
▲	DECEMBER 2016

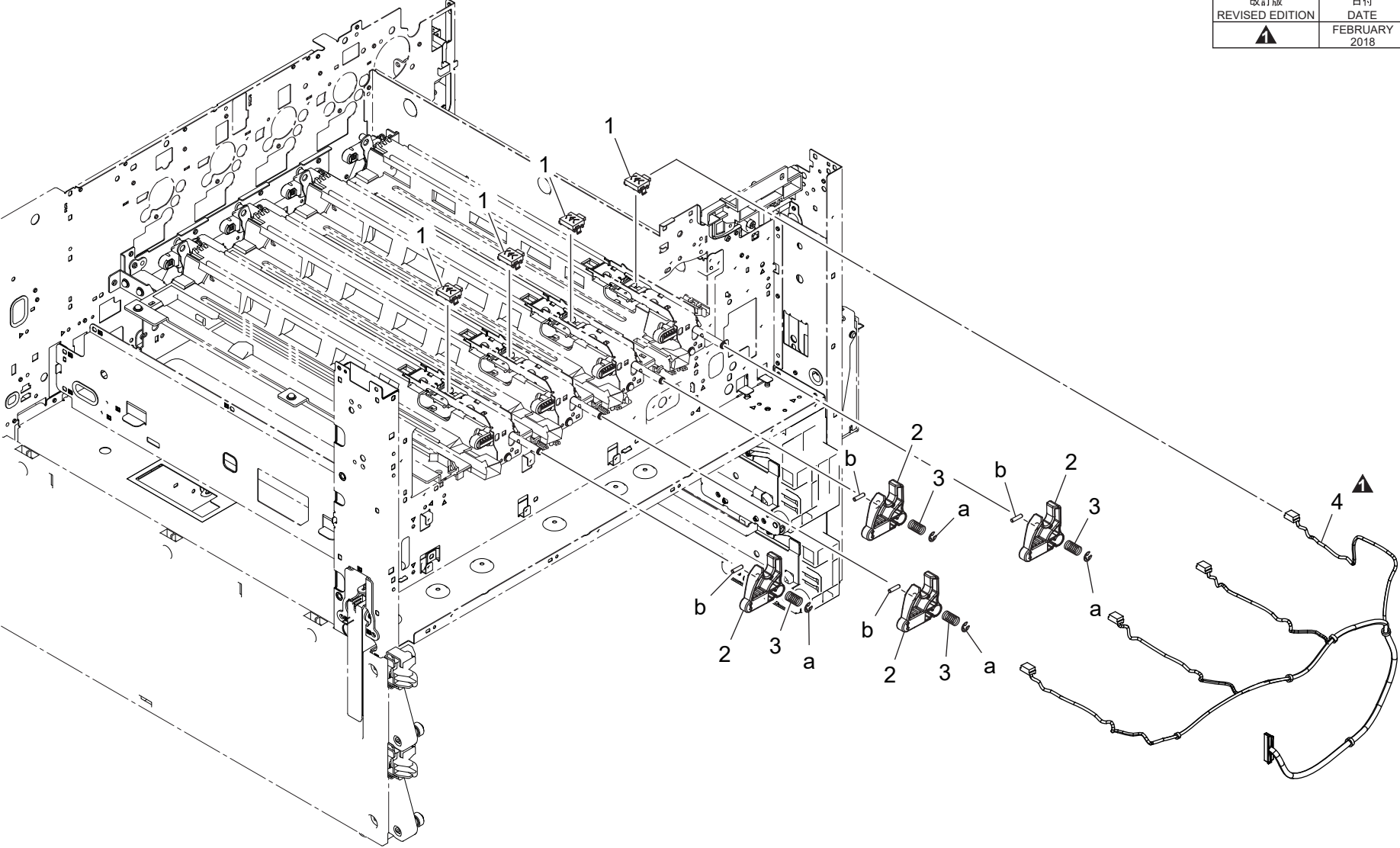


ERASE LAMP SECTION

Key	Part No.	Description	Destinations	Class	QTY	Standard parts
1	A161130101	Holder		D	4	a-V116030803 b-V116030603
2	A797105400	Rail		D	4	
3	A161105600	Rail		D	1	
4	A0ED103100	Pin		D	4	
5	A161107100	Seal		D	3	
6	A161138500	Guide		D	1	
7	A7PUR70611	Eraser (YMC) Assy		C	3	
8	A7PUR70500	Eraser (Black) Assy		C	1	
9	A161107400	Light blocking Part		C	1	
10	A5C1102800	Seal		D	1	
11	A5C1105500	Light blocking Part		D	3	

DV LOCK LEVER SECTION

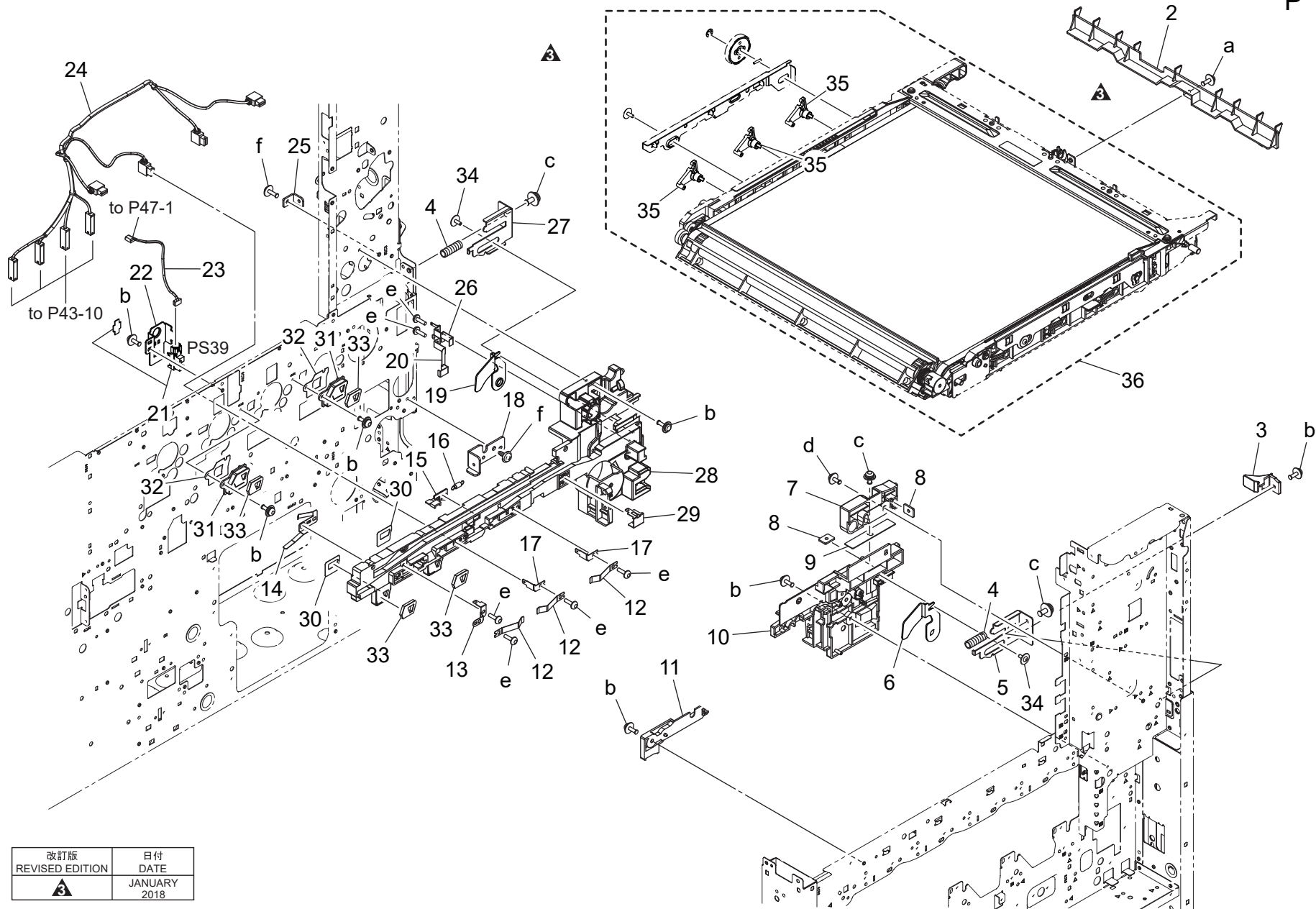
改訂版 REVISED EDITION	日付 DATE
▲	FEBRUARY 2018



DV LOCK LEVER SECTION

Key	Part No.	Description	Destinations	Class	QTY	Standard parts
1	A0EDM60001	Relay Connector		D	4	a-V217040001 b-V234301250
2	A161116202	Release Lever		D	4	
3	A161119500	Compressing Coil spring		D	4	
4	A161N10Y02	Photoconductor Wiring		D	1	

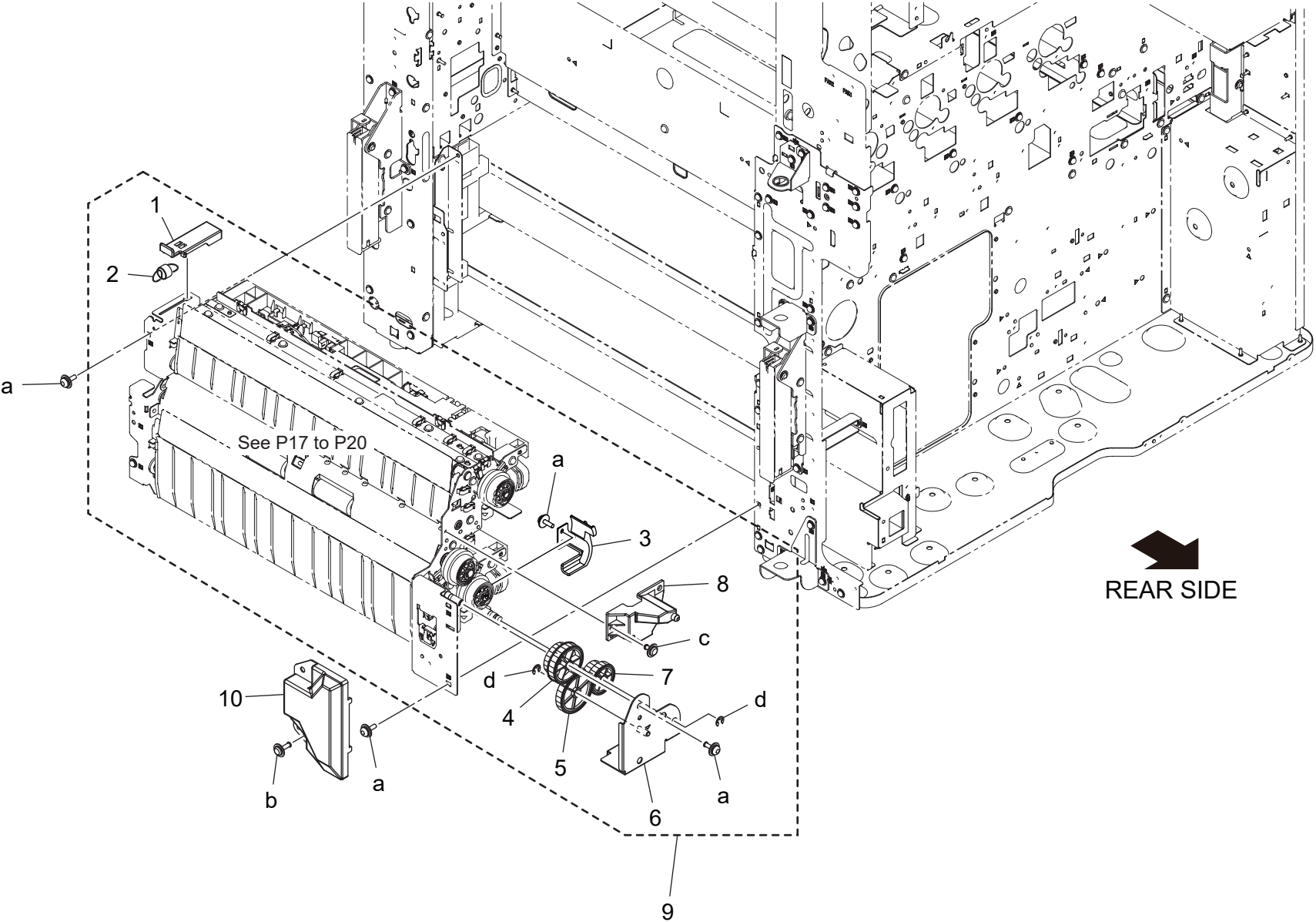
TRANSFER UNIT



改訂版 REVISED EDITION	日付 DATE
	JANUARY 2018

Key	Part No.	Description	Destinations	Class	QTY	Standard parts
2	A161508400	Guide		C	1	a-V116030804 b-V116030803 c-V116040803 d-V125030818 e-V145030803 f-V137030803
3	A161110601	Lock Part		D	1	
4	A0ED111000	Compressing Coil spring		D	2	
5	A161112500	Lever /Front		D	1	
6	A5C1112800	Arm /Front		D	1	
7	A161110400	Fusing Rail /Front		D	1	
8	A161112200	Mounting Plate		D	2	
9	A161112600	Adjusting Plate		D	1	
10	A161110202	Rail		D	1	
11	A161110300	Rail		D	1	
12	A0ED111500	Contact /Color		D	3	
13	A161112000	Contact		D	1	
14	A0ED112000	Contact		D	1	
15	A161110500	Detecting Plate		D	1	
16	A0ED110900	Pulling Coil spring		C	1	
17	A0ED111700	Contact		D	2	
18	A7PU109000	Reinforce Plate		D	1	
19	A5C1112900	Arm /Rear		D	1	
20	A161112300	Contact		D	1	
21	A5C1R90000	Photo Interrupter		B	1	
22	A5C1112101	Mounting Plate		D	1	
23	A161N10J00	Connecting Detection harness		D	1	
24	A161N11200	Transfer Wiring /1		D	1	
25	A161112700	Mounting Plate		D	1	
26	A161112400	Contact		D	1	
27	A161112101	Lever /Rear		D	1	
28	A161110105	Rail		D	1	
29	A0ED111400	Contact /K		D	1	
30	A161144900	Seal		C	2	
31	A161141700	Duct		D	2	
32	A161146200	Seal		D	2	
33	A161144801	Seal		C	4	
34	4163529301	SCREW		C	2	
35	A0ED501301	Lever /Rear		D	3	
36	A161R73300	Intermediate Image Transfer Unit		A	1	

PAPER FEED SECTION

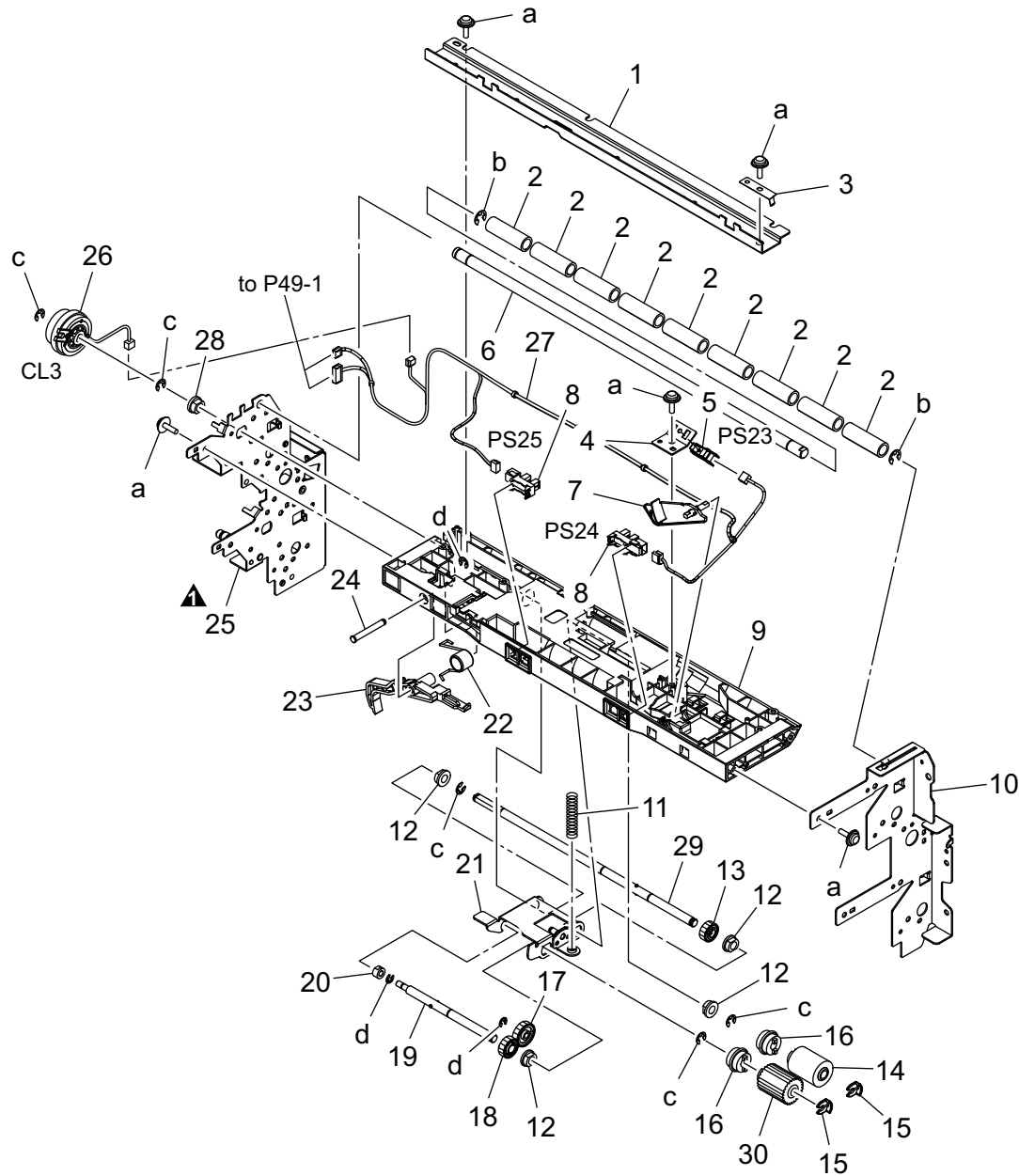


PAPER FEED SECTION

Key	Part No.	Description	Destinations	Class	QTY	Standard parts
1	A161561100	Holder		D	1	a-V116030803 b-V137030803 c-V144030603 d-V217040001
2	A161561200	Pulling Coil spring		D	1	
3	A7PU569100	Cover		D	1	
4	A161576300	Gear 27/33T		C	1	
5	A161576200	Gear 36T		C	1	
6	A161F56101	Caulking(Hold Plate Drive)		D	1	
7	A161576100	Gear 21/26T		C	1	
8	A161565102	Mounting Plate		D	1	
9	A9HJR70611	Paper Feed Assy		S	1	
10	A161579011	Cover		D	1	

1ST PAPER FEED SECTION

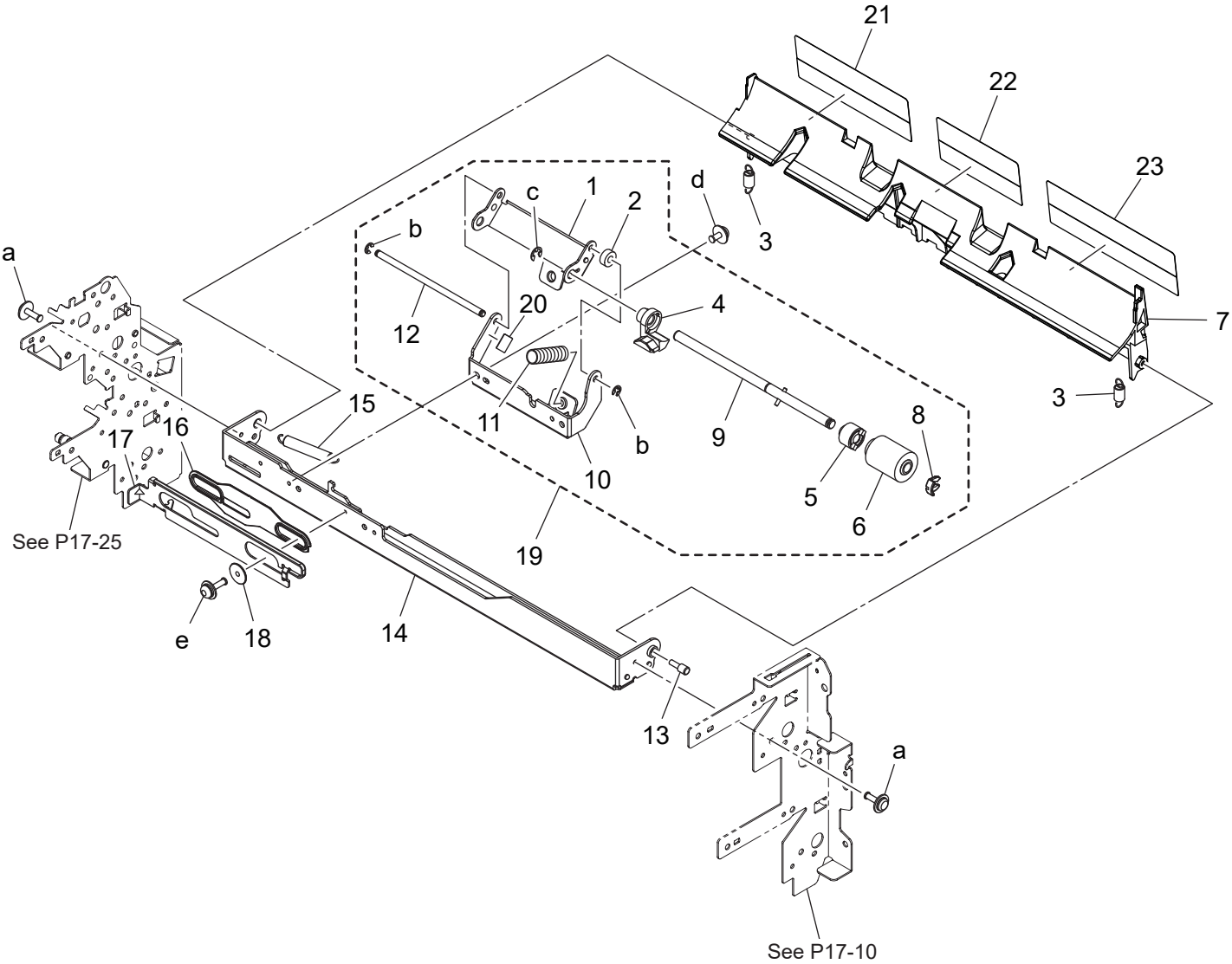
改訂版 REVISED EDITION	日付 DATE
▲	SEPTEMBER 2016



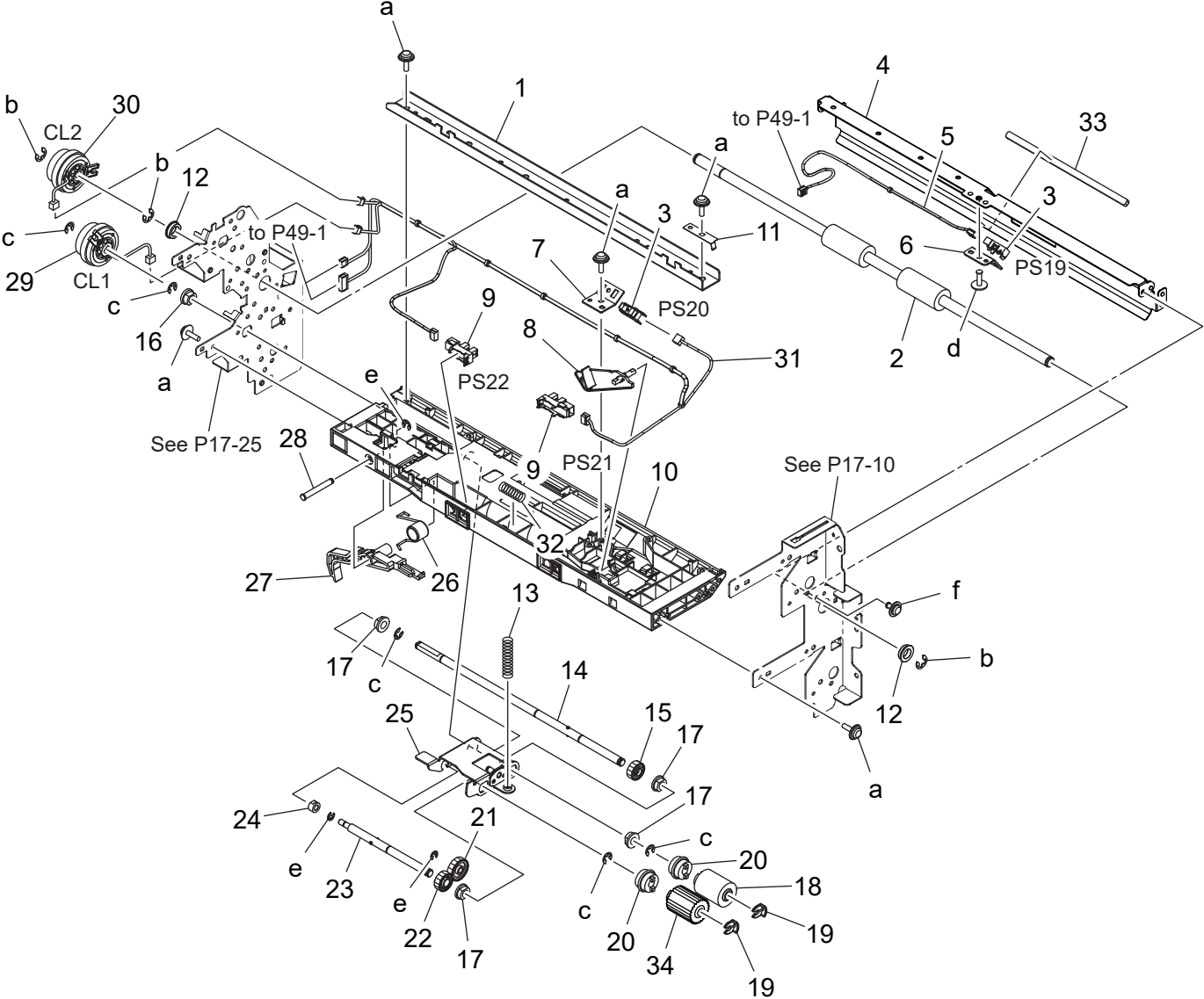
1ST PAPER FEED SECTION

Key	Part No.	Description	Destinations	Class	QTY	Standard parts
1	A161566000	Reinforce Plate	補強板 (1 s t)	D	1	a-V153030803 b-V217050001 c-V217040001 d-V217030001
2	4034352501	ROLLER	ローラ	C	9	
3	A5C1560600	Ground Plate	アース板	D	1	
4	A161560900	Mounting Plate	取付板 (給紙用反射センサ)	D	1	
5	A0EDM50100	Photorelector	反射型センサ (アンプ内蔵)	I	1	
6	A5C1565500	Shaft	軸	D	1	
7	A161561600	Actuator	アクチュエータ (PE)	C	1	
8	A5C1M50100	Photointerrupter	透過型センサ	B	2	
9	A161565302	Paper feed Frame	給紙フレーム (1 s t)	D	1	
10	A161560101Old	Frame /Front	フレーム/前	D	1	
10	A161560112	Frame /Front	フレーム/前	D	1	
11	A161562800	Compressing Coil spring	圧縮コイルばね	C	1	
12	4131300301	BUSHING	軸受	C	4	
13	A161562400	Gear 26T	ギア 26 T	C	1	
14	A00J563600	Roller	ローラ	A	1	
15	56AA40490	SHAFT STOPPER 4	軸ストッパ 4	C	2	
16	A02E561100	Clutch	クラッチ	C	2	
17	A161562300	Gear 34T	ギア 34 T	C	1	
18	A161562600	Gear 28T	ギア 28 T	C	1	
19	A161562000	Shaft	軸 (ピック)	D	1	
20	A161562500	Bushing	すべり軸受	C	1	
21	A161562101	Holder	ホルダ (ピック)	D	1	
22	A161567400	Torsion Spring	ねじりばね (ピック解除)	C	1	
23	A161567300	Lever	レバー (ピック解除)	C	1	
24	A02E560800	Shaft	シャフト	D	1	
25	A161F56016Old	Caulking(Frame)	フレームカシメ	D	1	
25	A161F56028	Caulking(Frame)	フレームカシメ	D	1	
26	A02EM20200	Clutch	クラッチ	B	1	
27	A161N10P01	Paperfeed Wiring /1	給紙束線 /1	D	1	
28	A00J663200	Bushing	すべり軸受	C	1	
29	A161560500	Shaft	軸 (給紙)	D	1	
30	A5C1562200	Roller	ローラ (ピック)	A	1	

1ST PAPER FEED SECTION



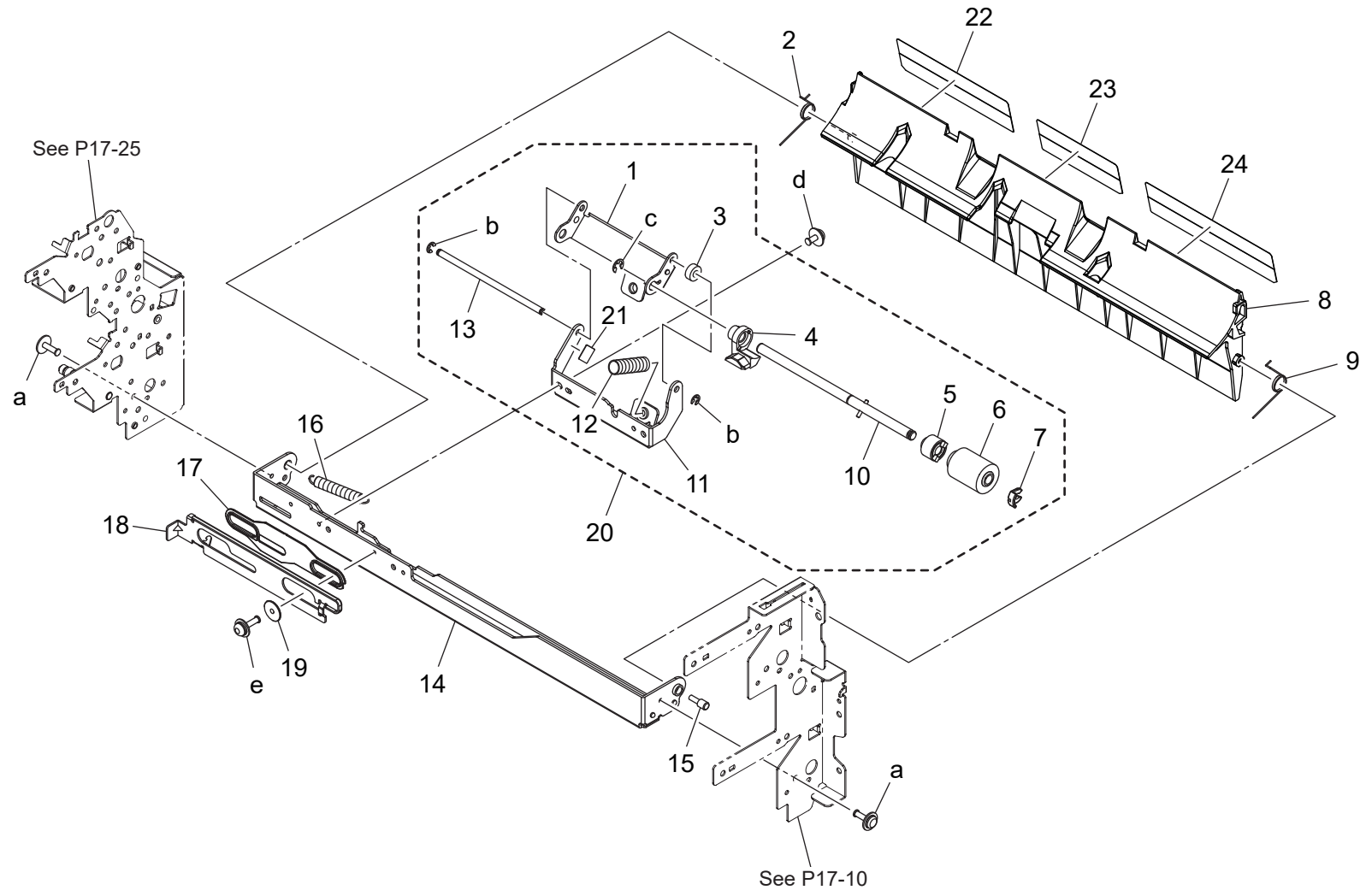
2ND PAPER FEED SECTION



2ND PAPER FEED SECTION

Key	Part No.	Description	Destinations	Class	QTY	Standard parts
1	A161561000	Reinforce Plate		D	1	a-V153030803 b-V217050001 c-V217040001 d-V137030803 e-V217030001 f-V144030603
2	A161578100	Drive Roller		C	1	
3	A0EDM50100	Photoreflector		I	2	
4	A161578200Old	Guide Plate		D	1	
4	A161578212	Guide Plate		D	1	
5	A161N12701	Conveyance Detection harness		D	1	
6	A161571100	Mounting Plate		D	1	
7	A161560900	Mounting Plate		D	1	
8	A161561600	Actuator		C	1	
9	A5C1M50100	Photointerrupter		B	2	
10	A161560302	Paper feed Frame		D	1	
11	A5C1560600	Ground Plate		D	1	
12	A00J617900	Ball Bearing		B	2	
13	A161562800	Compressing Coil spring		C	1	
14	A161560500	Shaft		D	1	
15	A161562400	Gear 26T		C	1	
16	A00J663200	Bushing		C	1	
17	4131300301	BUSHING		C	4	
18	A00J563600	Roller		A	1	
19	56AA40490	SHAFT STOPPER 4		C	2	
20	A02E561100	Clutch		C	2	
21	A161562300	Gear 34T		C	1	
22	A161562600	Gear 28T		C	1	
23	A161562000	Shaft		D	1	
24	A161562500	Bushing		C	1	
25	A161562101	Holder		D	1	
26	A161567400	Torsion Spring		C	1	
27	A161567300	Lever		C	1	
28	A02E560800	Shaft		D	1	
29	A02EM20200	Clutch		B	1	
30	A02EM20000	Clutch		B	1	
31	A161N10Q02	Paperfeed Wiring /2		D	1	
32	A161563000	Compressing Coil spring		C	1	
33	A161578700	Cushion		C	1	
34	A5C1562200	Roller		A	1	

2ND PAPER FEED SECTION

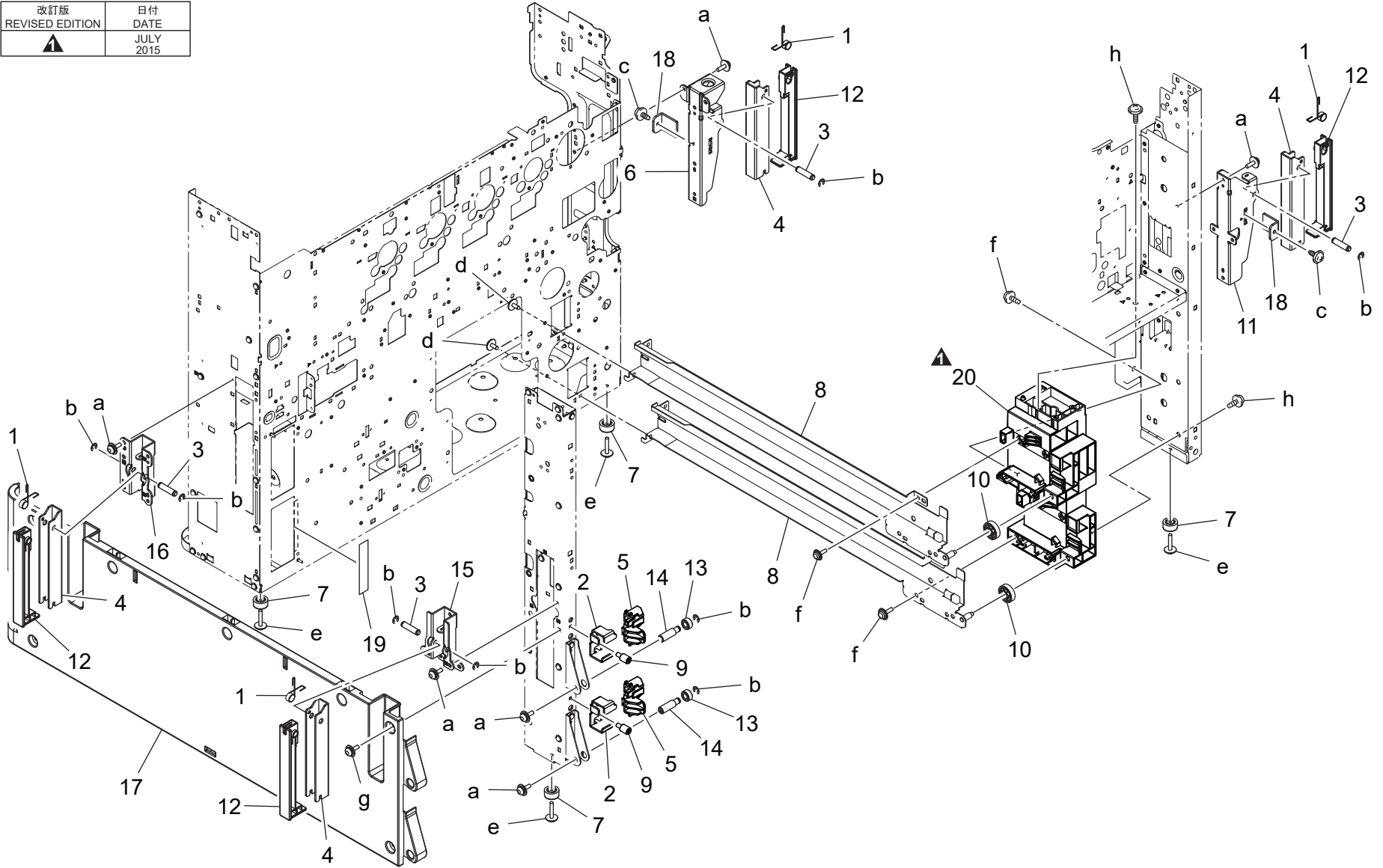


2ND PAPER FEED SECTION

Key	Part No.	Description	Destinations	Class	QTY	Standard parts
1	A5C1563100	Holder		D	1	a-V137030803 b-V217030001 c-V217040001 d-V116030603 e-V116031003
2	A161568800	Torsion Coil spring		C	1	
3	4040561000	Spacer		D	1	
4	A5C1563500	Guide		D	1	
5	A0ED563900	Torque limiter		C	1	
6	A00J563600	Roller		A	1	
7	56AA40490	SHAFT STOPPER 4		C	1	
8	A7PU578400	Guide Plate		C	1	
9	A161568700	Torsion Coil spring		C	1	
10	A5C1563400	Shaft		D	1	
11	A161564001	Mounting Plate		D	1	
12	4030301703	PRESSURE SPRING		C	1	
13	A161563300	Shaft		D	1	
14	A161563901	Mounting Plate		D	1	
15	4532341001	SHOULDER SCREW		D	1	
16	A161564400	Pulling Coil spring		C	1	
17	A161564200	Spacer		D	1	
18	A5C1564101	Lever		D	1	
19	A161564300	Spacer		D	1	
20	A5C1R70800	Separation Roller Assy		C	1	
21	A5C1565600	Sheet		C	1	
22	A7PU577700	Guide		C	1	
23	A7PU577600	Guide		C	1	
24	A7PU577500	Guide		C	1	

CASSETTE RAIL SECTION

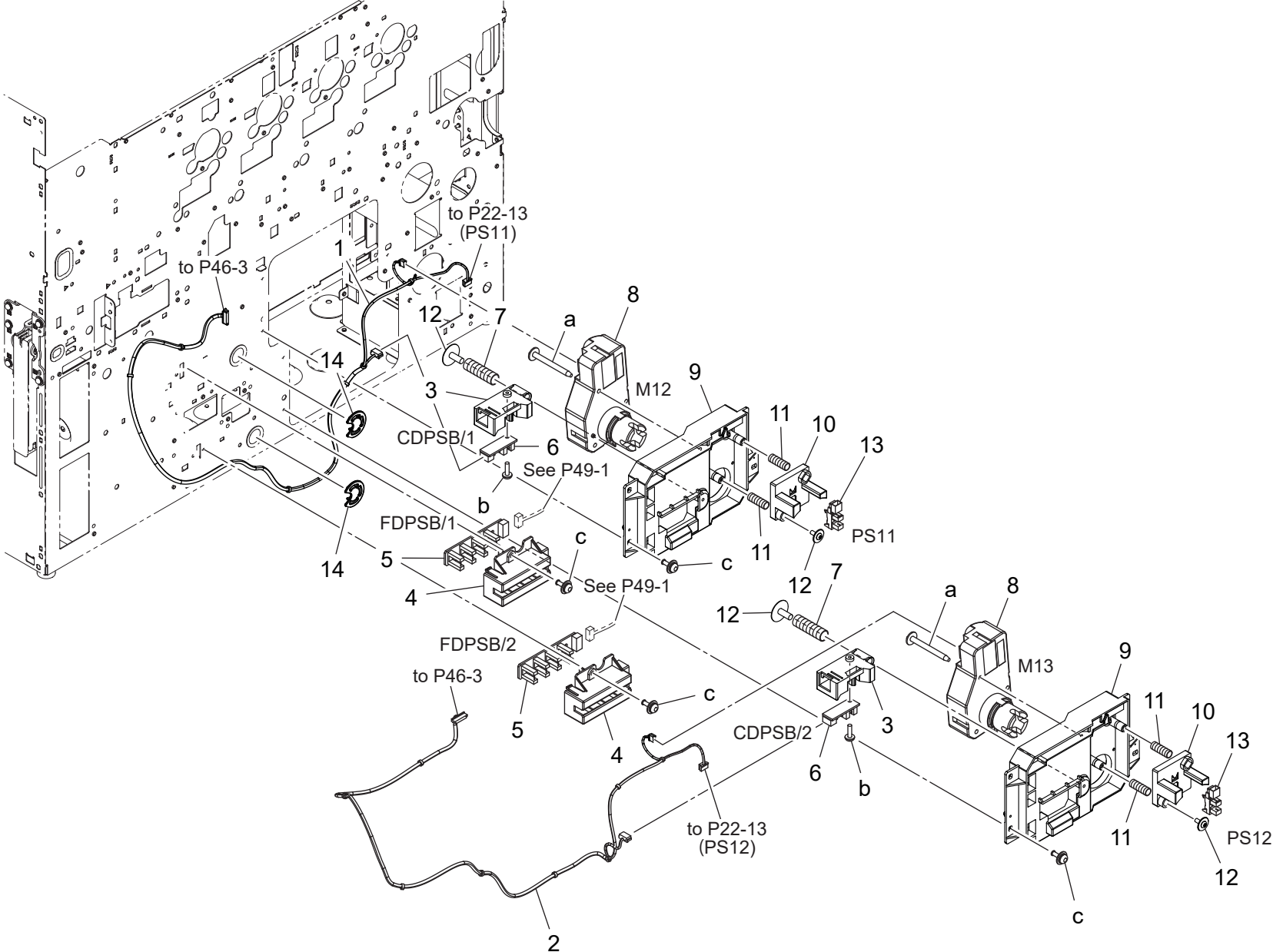
改訂版 REVISED EDITION	日付 DATE
▲	JULY 2015



CASSETTE RAIL SECTION

Key	Part No.	Description	Destinations	Class	QTY	Standard parts
1	A161104300	Torsion Coil spring		D	4	a-V116030803 b-V217040001 c-V137030803 d-V144030603 e-V137031203 f-V153030803 g-V116030804 h-V153031004
2	A7PU102201	Mounting Plate		D	2	
3	A161104200	Shaft		D	4	
4	A161101900	Lever		D	4	
5	A7PU102301	Stopper		D	2	
6	A5C1104800	Mounting Plate		D	1	
7	0996305501	RUBBER FOOT		C	4	
8	A5C1101101	Rail /ASSY		D	2	
9	A1UD192400	Shoulder screw /2		C	2	
10	A161103901	Roll		D	2	
11	A5C1104400	Mounting Plate		D	1	
12	A161103700	Cover		D	4	
13	A161623400	Roll		D	2	
14	A161105200	Shaft		D	2	
15	A161101600	Mounting Plate		D	1	
16	A161101701	Mounting Plate		D	1	
17	A7PU104000	Holder		D	1	
18	A5C1104700	Mounting Plate		D	2	
19	A61F130700	Tape		D	1	
20	A5C1106000	Holder		D	1	

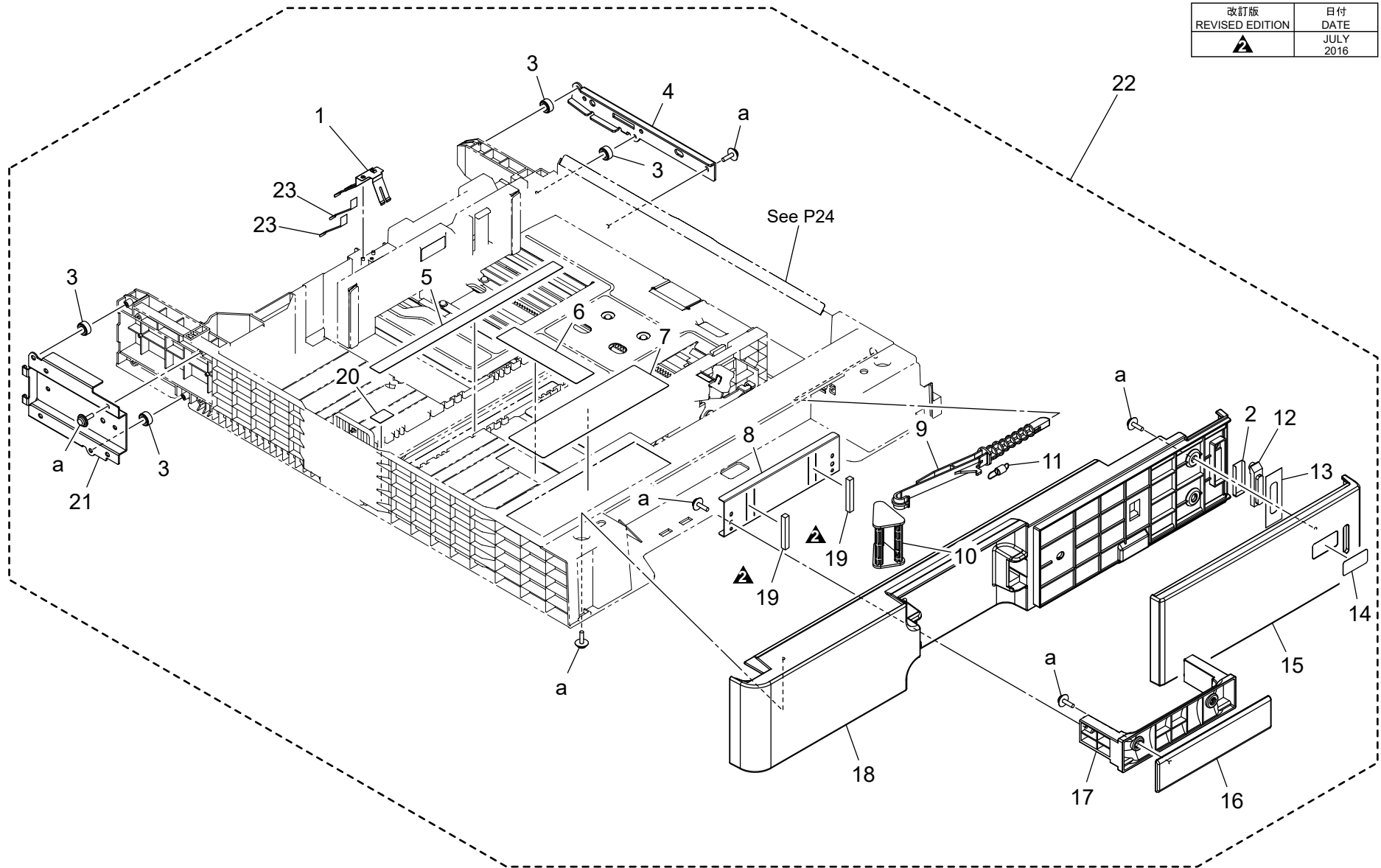
PAPER SIZE DETECTION SECTION



Key	Part No.	Description	Destinations	Class	QTY	Standard parts
1	A7PUN10401	Harness /Paperfeed		D	1	a-V153033003 b-V145030803 c-V116030803
2	A7PUN10501	Harness /Paperfeed		D	1	
3	A7PU627500	Holder		D	2	
4	A5C1628000	Holder		C	2	
5	A161M50600	Photointerrupter		C	2	
6	A161M50501	Photointerrupter		C	2	
7	4002311002	Pressure Spring		C	2	
8	9J06M10300	MOTOR		B	2	
9	A5C1627101	Holder		D	2	
10	A5C1627300	Holder		D	2	
11	A5C1627900	Compressing Coil spring		D	4	
12	4163529301	SCREW		C	4	
13	A5C1M50100	Photointerrupter		B	2	
14	A7PU106100	Cover		D	2	

1ST CASSETTE SECTION

改訂版 REVISED EDITION	日付 DATE
	JULY 2016

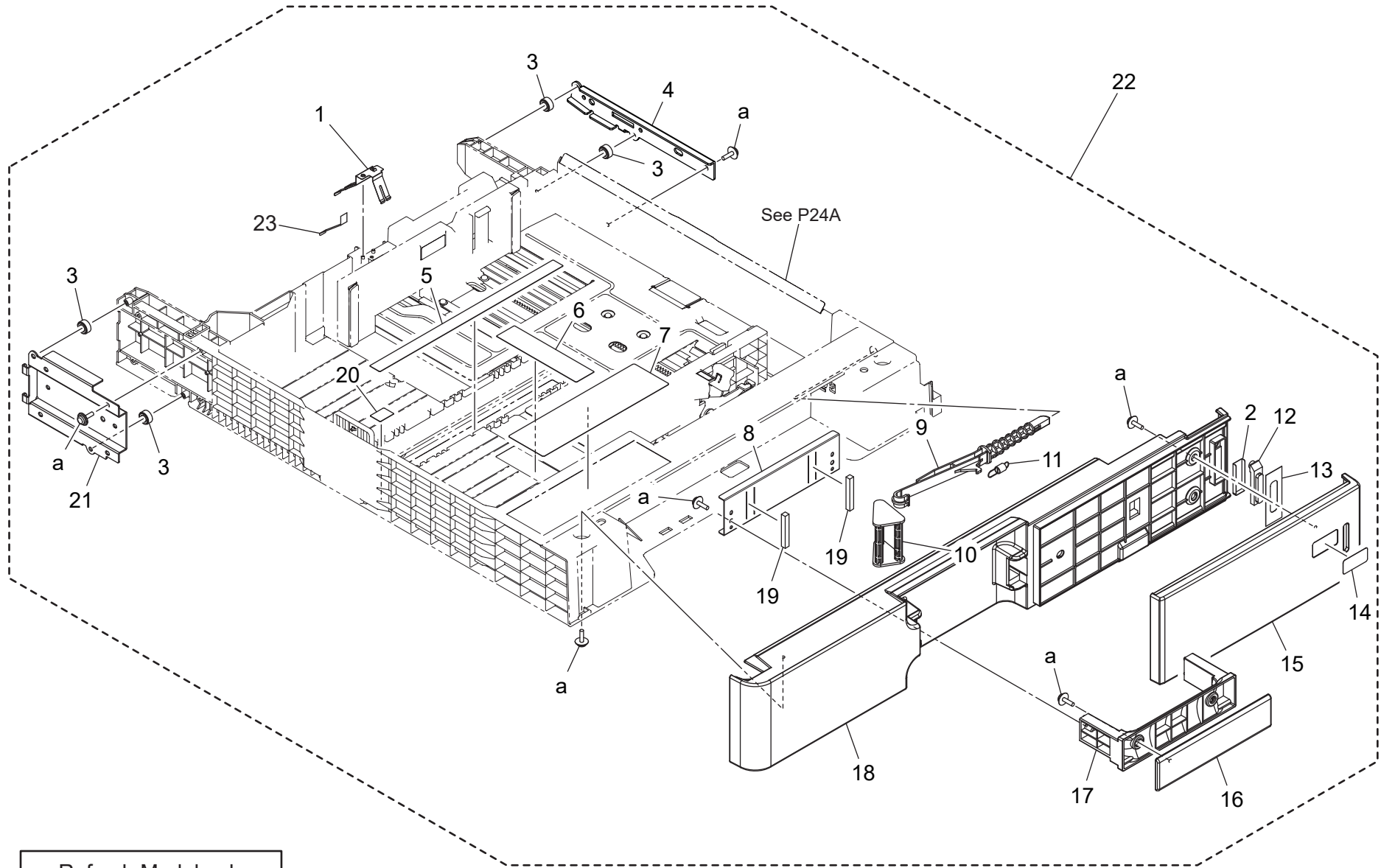


1ST CASSETTE SECTION

Key	Part No.	Description	Destinations	Class	QTY	Standard parts
1	A161622100	Ground Plate		D	1	a-V153030803
2	A161626200	Sheet		D	1	
3	A161623400	Roll		D	4	
4	A161623104	Reinforce Plate /Right		D	1	
5	A79J941200	Label FD		C	1	
6	A79J941500	Label CD		C	1	
7	A795942401	Label		C	1	
8	A7AH624300Old	Holder		D	1	
8	A5C1624300	Holder		D	1	
9	A161626502	Lever		C	1	
10	A161626602	Lever		C	1	
11	A161626800	Pulling Coil spring		C	1	
12	A161626000	Lens		D	1	
13	A161626100	Light blocking Sheet		D	1	
14	A161943100	Label 1		C	1	
15	A5C1625001	Cover		C	1	
16	A161625900	Cover		C	1	
17	A161626900	Handle		C	1	
18	A161625114	Cover		C	1	
19	A5C1628100Old	Cushion		D	2	
19	A5C1628500	Cushion		D	2	
20	A79J941300	Label FD		C	1	
21	A161623301	Reinforce Plate /Left		D	1	
22	A7PUR72200	Cassette Assy /1st		S	1	
23	A55V624700	Protection Sheet		C	2	

1ST CASSETTE SECTION

P 23A

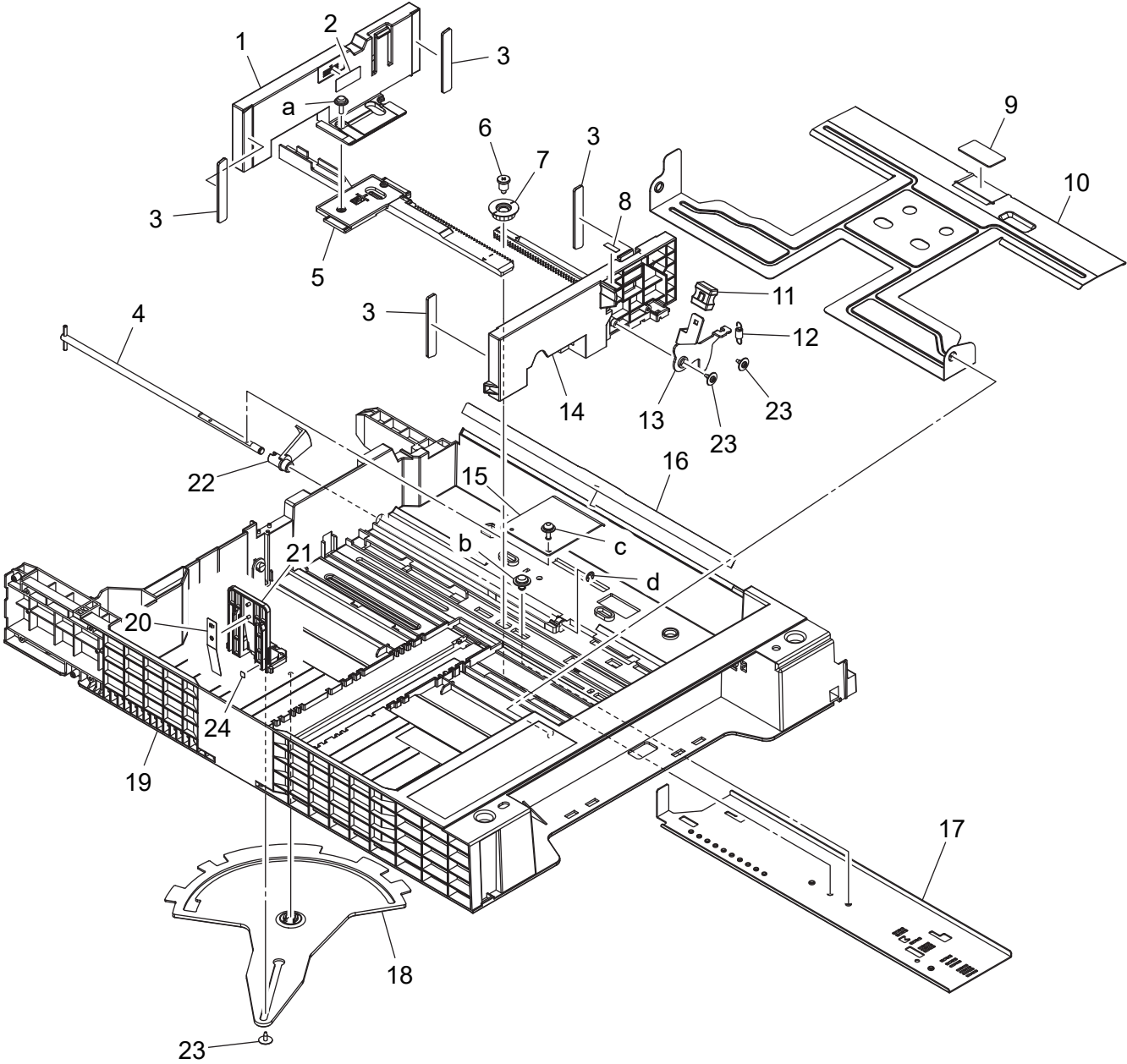


Refresh Model only

1ST CASSETTE SECTION

Key	Part No.	Description	Destinations	Class	QTY	Standard parts
1	A161622100	Ground Plate	(Refresh Model)	D	1	a-V153030803
2	A161626200	Sheet	(Refresh Model)	D	1	
3	A161623400	Roll	(Refresh Model)	D	4	
4	A79J623100	Reinforce Plate /Right	(Refresh Model)	D	1	
5	A79J941200	Label FD	(Refresh Model)	C	1	
6	A79J941500	Label CD	(Refresh Model)	C	1	
7	A795942401	Label	(Refresh Model)	C	1	
8	A5C1624300	Holder	(Refresh Model)	D	1	
9	A161626502	Lever	(Refresh Model)	C	1	
10	A161626602	Lever	(Refresh Model)	C	1	
11	A161626800	Pulling Coil spring	(Refresh Model)	C	1	
12	A161626000	Lens	(Refresh Model)	D	1	
13	A161626100	Light blocking Sheet	(Refresh Model)	D	1	
14	A161943100	Label 1	(Refresh Model)	C	1	
15	A5C1625001	Cover	(Refresh Model)	C	1	
16	A161625900	Cover	(Refresh Model)	C	1	
17	A161626900	Handle	(Refresh Model)	C	1	
18	A161625114	Cover	(Refresh Model)	C	1	
19	A5C1628500	Cushion	(Refresh Model)	D	2	
20	A79J941300	Label FD	(Refresh Model)	C	1	
21	A161623301	Reinforce Plate /Left	(Refresh Model)	D	1	
22	A79JR72111	1st Cassette Assy	(Refresh Model)	S	1	
23	A55V624700	Protection Sheet	(Refresh Model)	C	1	

1ST CASSETTE SECTION



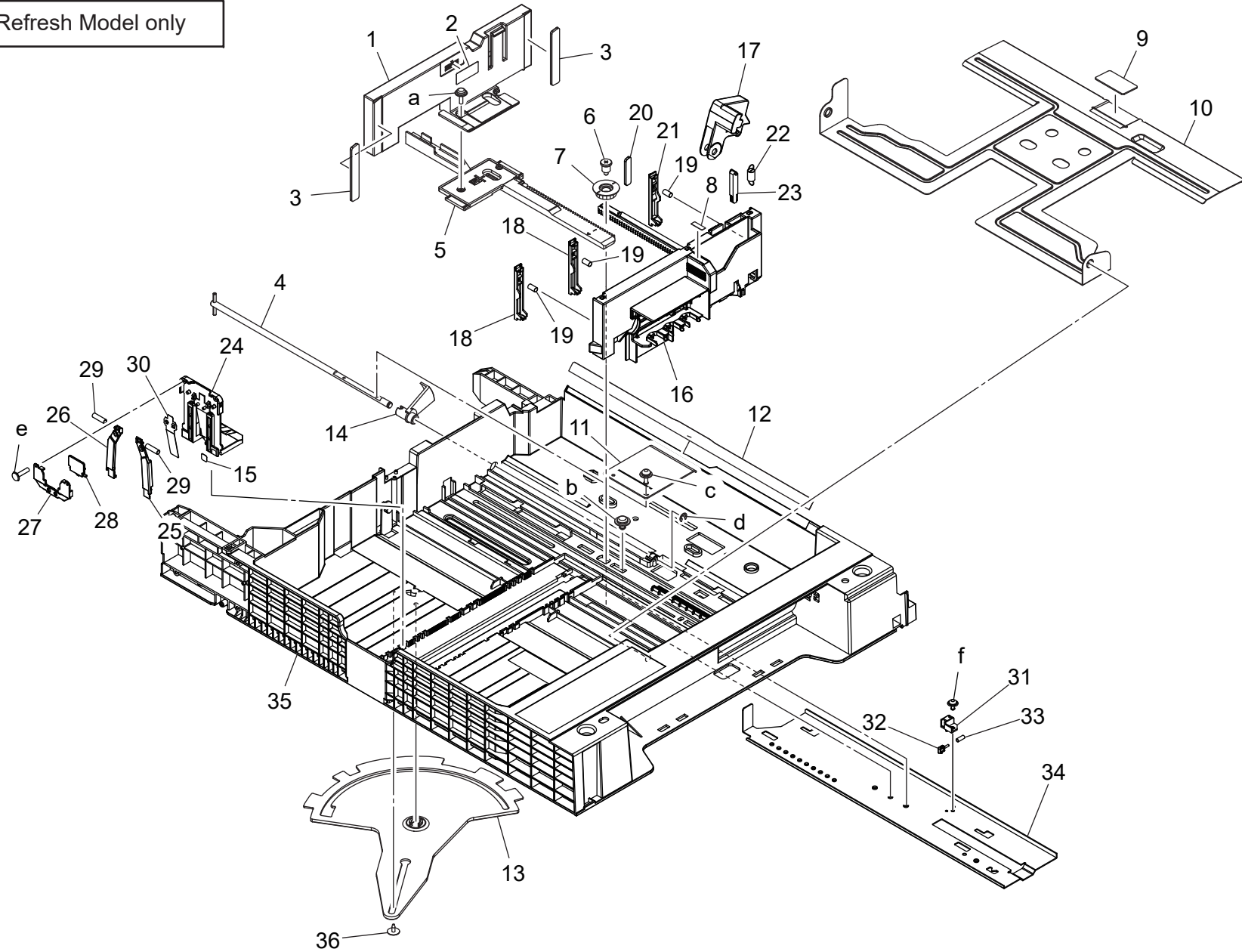
1ST CASSETTE SECTION

Key	Part No.	Description	Destinations	Class	QTY	Standard parts
1	A161620904	Regulating Plate /Rear		C	1	a-V153030803 b-V144040603 c-V116030803 d-V217040001
2	A161943700	Label Max Level		C	1	
3	A161624100	Cushion		C	4	
4	A161621600	Lifting Shaft		D	1	
5	A161621100	Rack		C	1	
6	A161620600	Shoulder screw		D	1	
7	A161620701	Gear		D	1	
8	A161943000	Label		C	1	
9	4030322601	FRICTION SHEET		C	1	
10	A161620400	Lifting Plate		D	1	
11	4037320401	KNOB		C	1	
12	A0ED621400	Pulling Coil spring		D	1	
13	A161621300	Lever		D	1	
14	A161620803	Regulating Plate /Front		C	1	
15	4030320601	LEVER		D	1	
16	A0ED620200	Guide		C	1	
17	A161621900	Mounting Plate		D	1	
18	A161621411	Lever		C	1	
19	A161620107	Paper feed Cassette		D	1	
20	A161621800	Plate spring		C	1	
21	A161621701	Regulating Plate		C	1	
22	A0ED620701	Actuator		C	1	
23	4163529301	SCREW		C	3	
24	A02E940300	Label		C	1	

1ST CASSETTE SECTION

P 24A

Refresh Model only

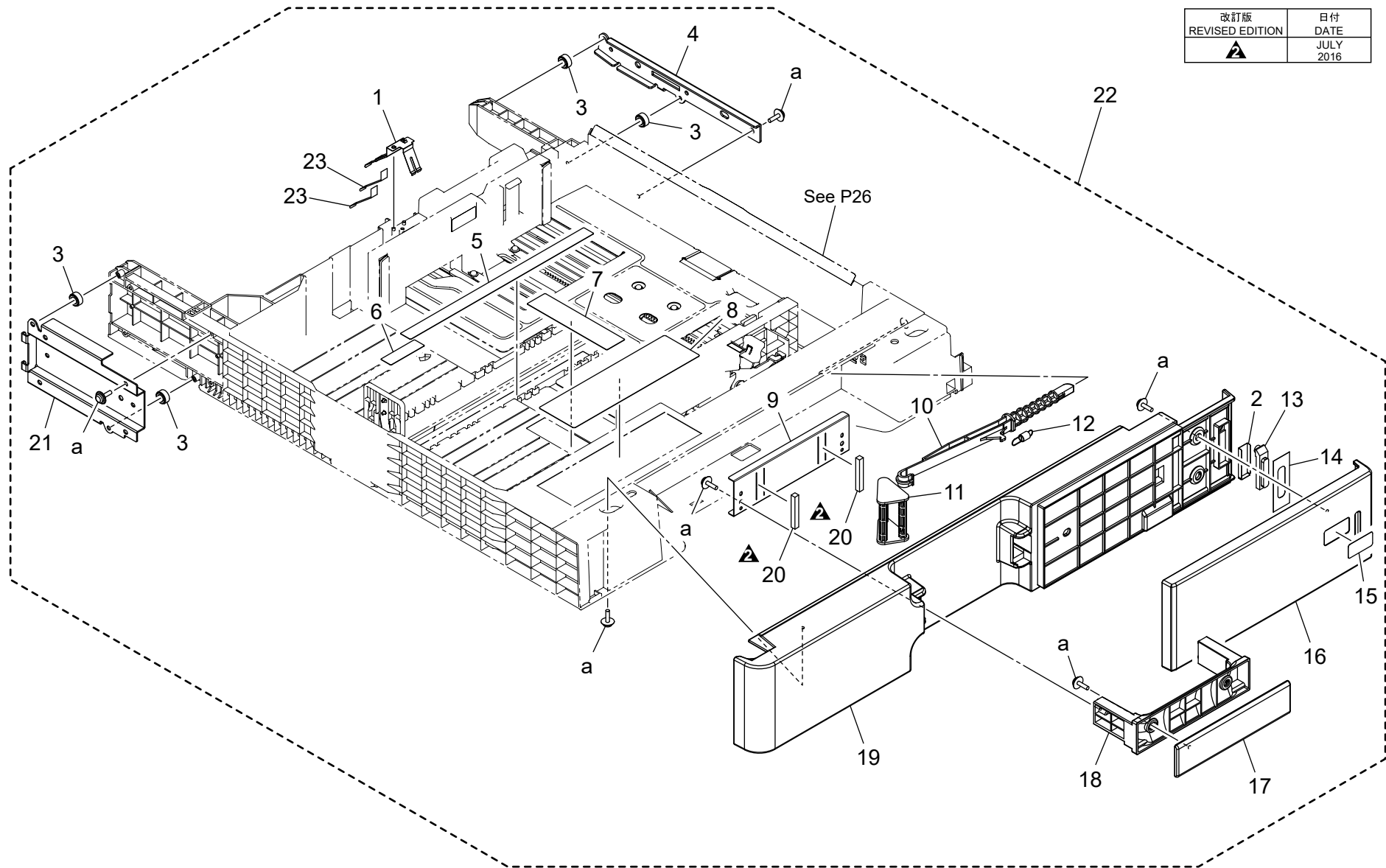


1ST CASSETTE SECTION

Key	Part No.	Description	Destinations	Class	QTY	Standard parts
1	A161620904	Regulating Plate /Rear	(Refresh Model)	C	1	a-V153030803 b-V144040603 c-V116030803 d-V217040001 e-V127030604 f-V166170504
2	A161943700	Label Max Level	(Refresh Model)	C	1	
3	A161624100	Cushion	(Refresh Model)	C	2	
4	A161621600	Lifting Shaft	(Refresh Model)	D	1	
5	A161621100	Rack	(Refresh Model)	C	1	
6	A161620600	Shoulder screw	(Refresh Model)	D	1	
7	A161620701	Gear	(Refresh Model)	D	1	
8	A161943000	Label	(Refresh Model)	C	1	
9	4030322601	FRICITION SHEET	(Refresh Model)	C	1	
10	A161620400	Lifting Plate	(Refresh Model)	D	1	
11	4030320601	LEVER	(Refresh Model)	D	1	
12	A0ED620200	Guide	(Refresh Model)	C	1	
13	A161621411	Lever	(Refresh Model)	C	1	
14	A0ED620701	Actuator	(Refresh Model)	C	1	
15	A02E940300	Label	(Refresh Model)	C	1	
16	A795620800	Regulating Plate	(Refresh Model)	C	1	
17	A795621301	Operation Lever	(Refresh Model)	C	1	
18	A795622600	Auxiliary Guide /2	(Refresh Model)	C	1	
19	A795622700	Compressing Spring	(Refresh Model)	C	3	
20	A79J566000	Cushion	(Refresh Model)	C	1	
21	A79J622500	Auxiliary Guide /1	(Refresh Model)	C	1	
22	A7AH621000	Pulling Coil spring	(Refresh Model)	C	1	
23	A7AH621200	Lock Lever	(Refresh Model)	D	1	
24	A795565000	Regulating Plate	(Refresh Model)	D	1	
25	A795565100	Lock Lever	(Refresh Model)	C	1	
26	A795565200	Lock Lever	(Refresh Model)	C	1	
27	A795565300	Cover	(Refresh Model)	C	1	
28	A795565400	Operation Lever	(Refresh Model)	C	1	
29	A795565500	Compressing Spring	(Refresh Model)	C	2	
30	A795565600	Plate spring	(Refresh Model)	C	1	
31	A795565700	Holder	(Refresh Model)	C	1	
32	A795565800	Lever	(Refresh Model)	C	1	
33	A795565900	Compressing Spring	(Refresh Model)	C	1	
34	A795621900	Mounting Plate	(Refresh Model)	D	1	
35	A79J620100	Paper feed Cassette	(Refresh Model)	D	1	
36	4163529301	SCREW	(Refresh Model)	C	1	

2ND CASSETTE SECTION

改訂版 REVISED EDITION	日付 DATE
	JULY 2016

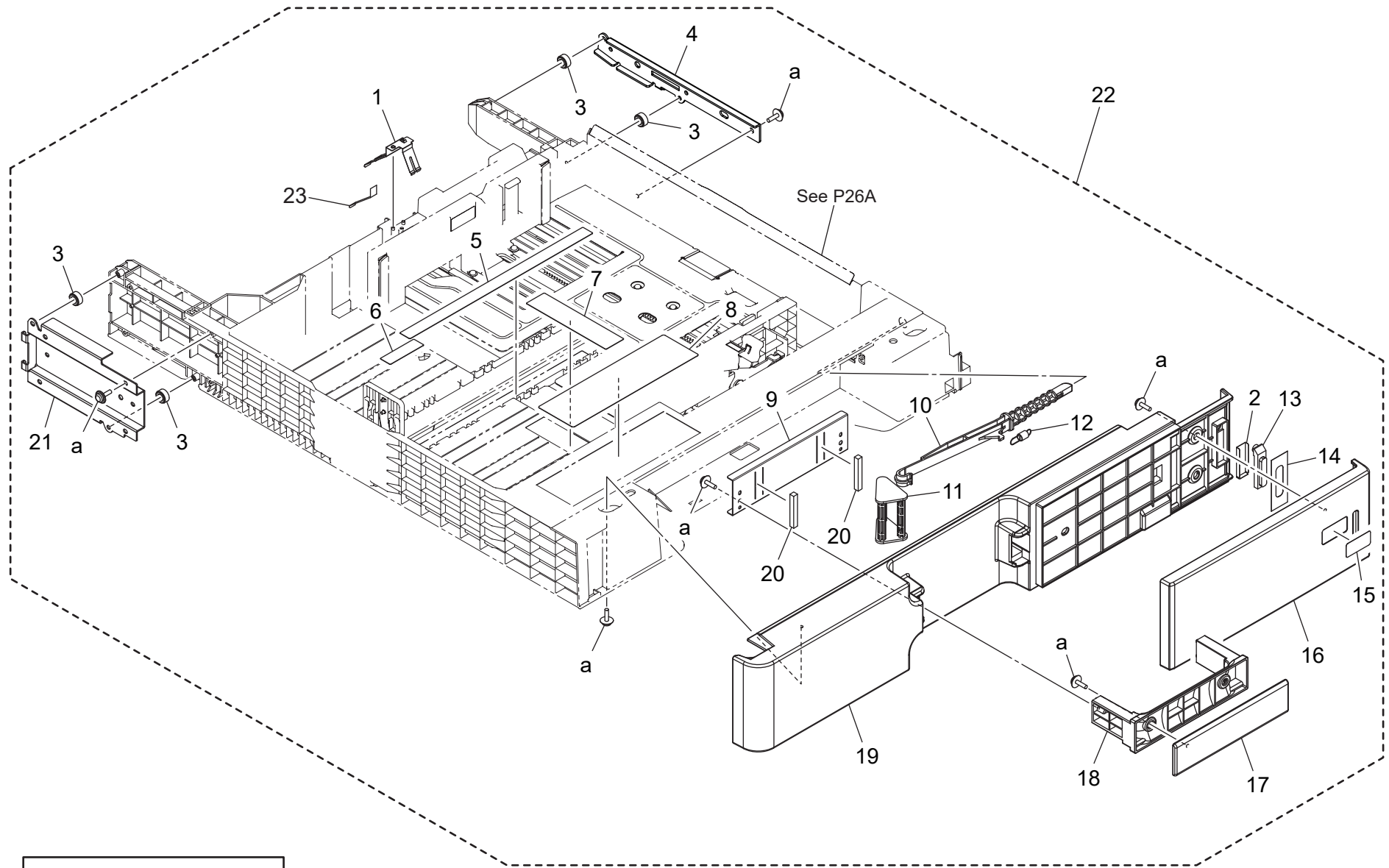


2ND CASSETTE SECTION

Key	Part No.	Description	Destinations	Class	QTY	Standard parts
1	A161622100	Ground Plate		D	1	a-V153030803
2	A161626200	Sheet		D	1	
3	A161623400	Roll		D	4	
4	A161633101	Reinforce Plate /Right		D	1	
5	A79J941200	Label FD		C	1	
6	A79J943500	Label FD		C	1	
7	A79J943600	Label CD		C	1	
8	A795942401	Label		C	1	
9	A7AH624300Old	Holder		D	1	
9	A5C1624300	Holder		D	1	
10	A161636502	Lever		C	1	
11	A161626602	Lever		C	1	
12	A161626800	Pulling Coil spring		C	1	
13	A161626000	Lens		D	1	
14	A161626100	Light blocking Sheet		D	1	
15	A161943200	Label 2		C	1	
16	A5C1635001	Cover		C	1	
17	A161625900	Cover		C	1	
18	A161626900	Handle		C	1	
19	A161635117	Cover		C	1	
20	A5C1628100Old	Cushion		D	2	
20	A5C1628500	Cushion		D	2	
21	A161633202	Reinforce Plate /Left		D	1	
22	A7PUR72322	Cassette Assy /2nd		S	1	
23	A55V624700	Protection Sheet		C	2	

2ND CASSETTE SECTION

P 25A

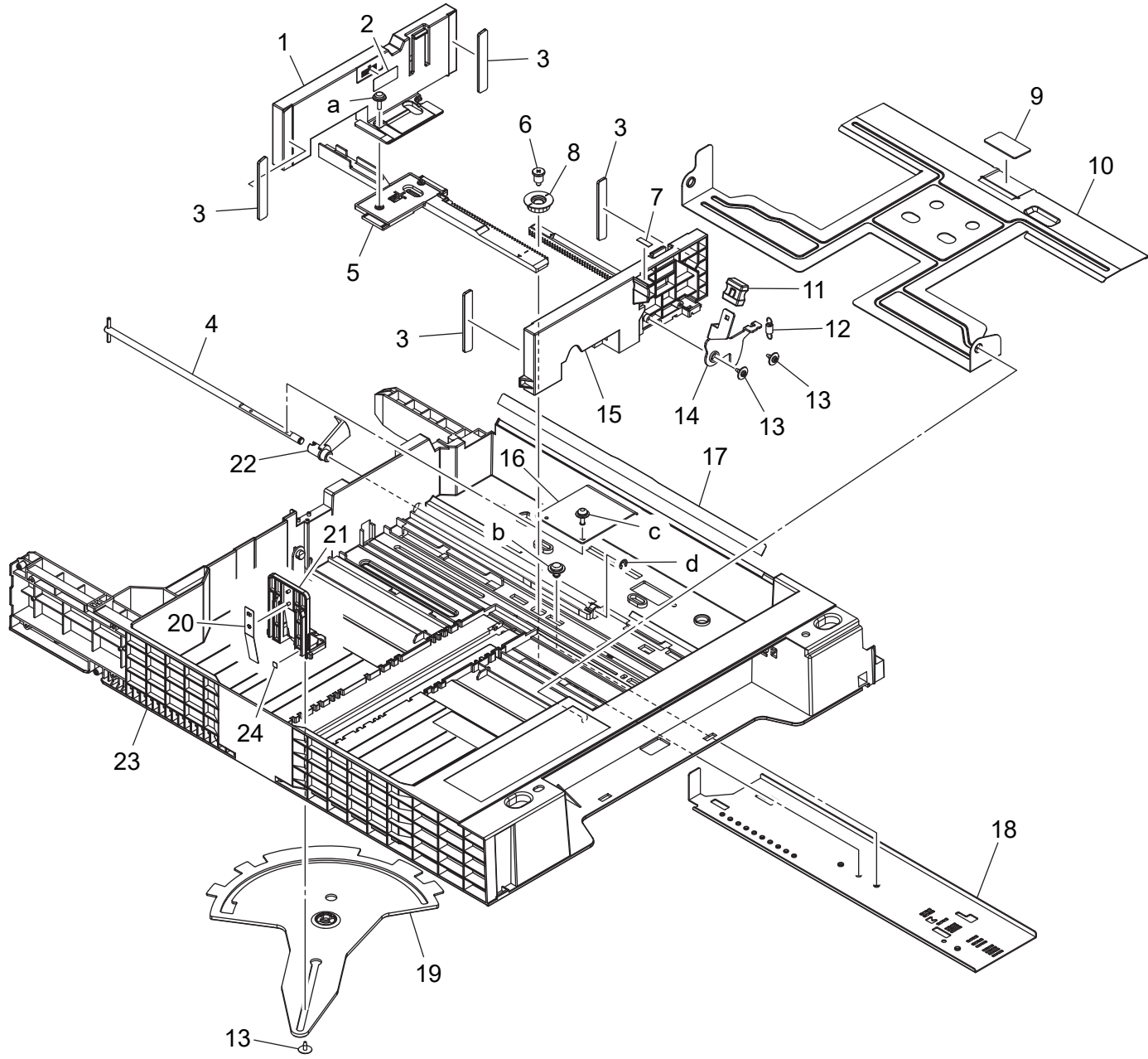


Refresh Model only

2ND CASSETTE SECTION

Key	Part No.	Description	Destinations	Class	QTY	Standard parts	
1	A161622100	Ground Plate	アース板 (カセット)	(Refresh Model)	D	1	a-V153030803
2	A161626200	Sheet	シート (反射板)	(Refresh Model)	D	1	
3	A161623400	Roll	ころ	(Refresh Model)	D	4	
4	A79J633100	Reinforce Plate /Right	補強板/右	(Refresh Model)	D	1	
5	A79J941200	Label FD	ラベル F D スケール/1	(Refresh Model)	C	1	
6	A79J943500	Label FD	ラベル F D スケール	(Refresh Model)	C	1	
7	A79J943600	Label CD	ラベル C D スケール	(Refresh Model)	C	1	
8	A795942401	Label	ラベル (用紙補給)	(Refresh Model)	C	1	
9	A5C1624300	Holder	ホルダ (取手)	(Refresh Model)	D	1	
10	A161636502	Lever	レバー (ロック)	(Refresh Model)	C	1	
11	A161626602	Lever	レバー (解除)	(Refresh Model)	C	1	
12	A161626800	Pulling Coil spring	引張りコイルばね (ロックレバー)	(Refresh Model)	C	1	
13	A161626000	Lens	レンズ (ライトガイド・給紙)	(Refresh Model)	D	1	
14	A161626100	Light blocking Sheet	遮光シート	(Refresh Model)	D	1	
15	A161943200	Label 2	ラベル 給紙段数表示 2	(Refresh Model)	C	1	
16	A5C1635001	Cover	カバー (カセット右)	(Refresh Model)	C	1	
17	A161625900	Cover	カバー (カセット取手)	(Refresh Model)	C	1	
18	A161626900	Handle	取手 (カセット)	(Refresh Model)	C	1	
19	A161635117	Cover	カバー (カセット 2 n d)	(Refresh Model)	C	1	
20	A5C1628500	Cushion	クッション	(Refresh Model)	D	2	
21	A161633202	Reinforce Plate /Left	補強板/左	(Refresh Model)	D	1	
22	A79JR72211	2nd Cassette Assy	2 段目カセット A S S Y	(Refresh Model)	S	1	
23	A55V624700	Protection Sheet	保護シート	(Refresh Model)	C	1	

2ND CASSETTE SECTION



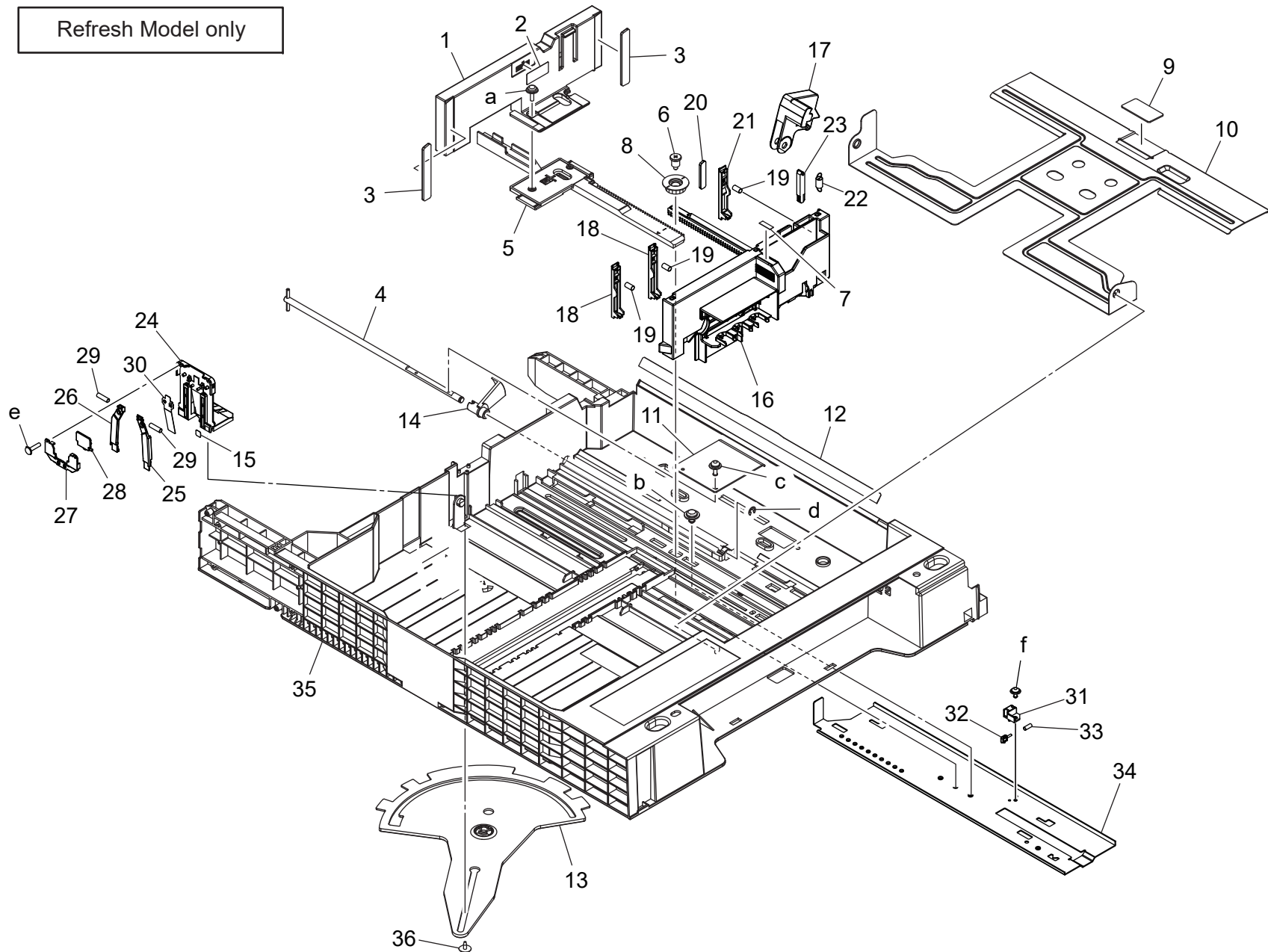
2ND CASSETTE SECTION

Key	Part No.	Description	Destinations	Class	QTY	Standard parts
1	A161620904	Regulating Plate /Rear		C	1	a-V153030803 b-V144040603 c-V116030803 d-V217040001
2	A161943700	Label Max Level		C	1	
3	A161624100	Cushion		C	4	
4	A161621600	Lifting Shaft		D	1	
5	A161621100	Rack		C	1	
6	A161620600	Shoulder screw		D	1	
7	A161943000	Label		C	1	
8	A161620701	Gear		D	1	
9	4030322601	FRICTION SHEET		C	1	
10	A161620400	Lifting Plate		D	1	
11	4037320401	KNOB		C	1	
12	A0ED621400	Pulling Coil spring		D	1	
13	4163529301	SCREW		C	3	
14	A161621300	Lever		D	1	
15	A161620803	Regulating Plate /Front		C	1	
16	4030320601	LEVER		D	1	
17	A0ED620200	Guide		C	1	
18	A161621900	Mounting Plate		D	1	
19	A161631411	Lever		C	1	
20	A161621800	Plate spring		C	1	
21	A161621701	Regulating Plate		C	1	
22	A0ED620701	Actuator		C	1	
23	A161630102	Paper feed Cassette		D	1	
24	A02E940300	Label		C	1	

2ND CASSETTE SECTION

Refresh Model only


P 26A

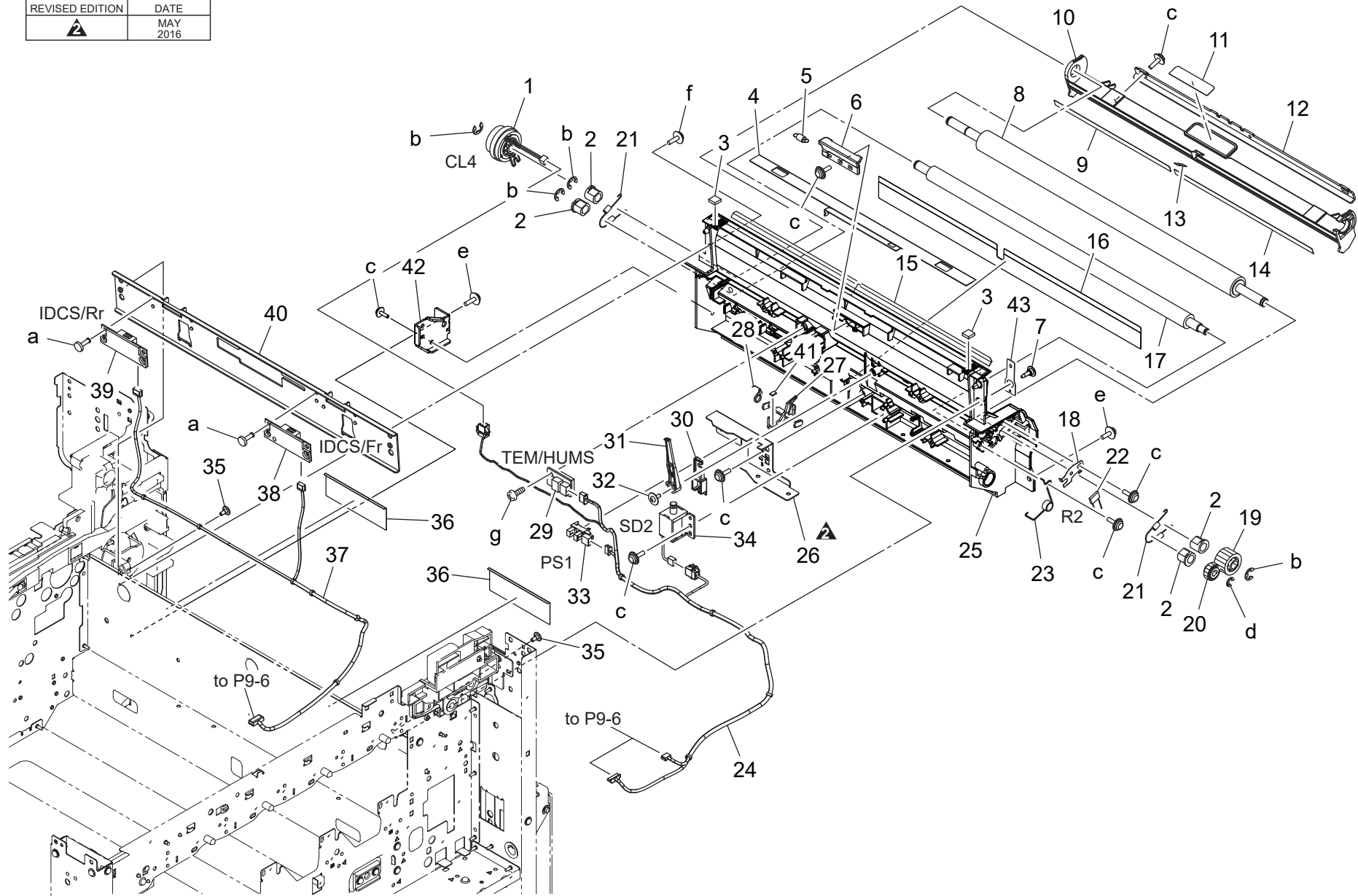


2ND CASSETTE SECTION

Key	Part No.	Description	Destinations	Class	QTY	Standard parts
1	A161620904	Regulating Plate /Rear	(Refresh Model)	C	1	a-V153030803 b-V144040603 c-V116030803 d-V217040001 e-V127030604 f-V166170504
2	A161943700	Label Max Level	(Refresh Model)	C	1	
3	A161624100	Cushion	(Refresh Model)	C	2	
4	A161621600	Lifting Shaft	(Refresh Model)	D	1	
5	A161621100	Rack	(Refresh Model)	C	1	
6	A161620600	Shoulder screw	(Refresh Model)	D	1	
7	A161943000	Label	(Refresh Model)	C	1	
8	A161620701	Gear	(Refresh Model)	D	1	
9	4030322601	FRICITION SHEET	(Refresh Model)	C	1	
10	A161620400	Lifting Plate	(Refresh Model)	D	1	
11	4030320601	LEVER	(Refresh Model)	D	1	
12	A0ED620200	Guide	(Refresh Model)	C	1	
13	A161631411	Lever	(Refresh Model)	C	1	
14	A0ED620701	Actuator	(Refresh Model)	C	1	
15	A02E940300	Label	(Refresh Model)	C	1	
16	A795620800	Regulating Plate	(Refresh Model)	C	1	
17	A795621301	Operation Lever	(Refresh Model)	C	1	
18	A795622600	Auxiliary Guide /2	(Refresh Model)	C	2	
19	A795622700	Compressing Spring	(Refresh Model)	C	3	
20	A79J566000	Cushion	(Refresh Model)	C	1	
21	A79J622500	Auxiliary Guide /1	(Refresh Model)	C	1	
22	A7AH621000	Pulling Coil spring	(Refresh Model)	C	1	
23	A7AH621200	Lock Lever	(Refresh Model)	D	1	
24	A795565000	Regulating Plate	(Refresh Model)	D	1	
25	A795565100	Lock Lever	(Refresh Model)	C	1	
26	A795565200	Lock Lever	(Refresh Model)	C	1	
27	A795565300	Cover	(Refresh Model)	C	1	
28	A795565400	Operation Lever	(Refresh Model)	C	1	
29	A795565500	Compressing Spring	(Refresh Model)	C	2	
30	A795565600	Plate spring	(Refresh Model)	C	1	
31	A795565700	Holder	(Refresh Model)	C	1	
32	A795565800	Lever	(Refresh Model)	C	1	
33	A795565900	Compressing Spring	(Refresh Model)	C	1	
34	A795621900	Mounting Plate	(Refresh Model)	D	1	
35	A79J630100	Paper feed Cassette	(Refresh Model)	D	1	
36	4163529301	SCREW	(Refresh Model)	C	1	

CONVEYANCE SECTION

改訂版 REVISED EDITION	日付 DATE
	MAY 2016

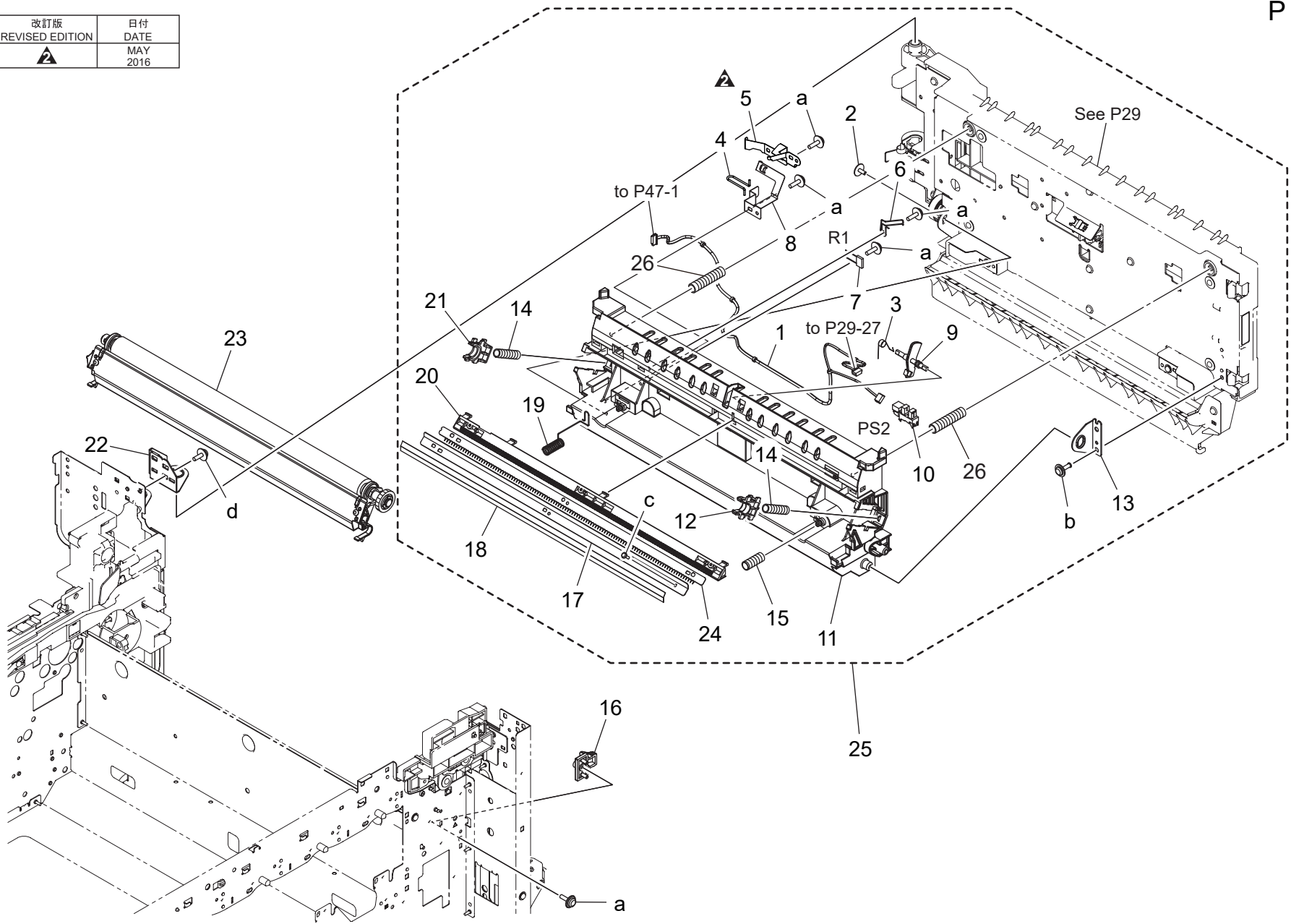


CONVEYANCE SECTION

Key	Part No.	Description	Destinations	Class	QTY	Standard parts
1	A02EM20000	Clutch		B	1	a-V118030803 b-V217060001 c-V153030803 d-V217040001 e-V116030803 f-V153031003 g-V145030803
2	A161702200	Bushing		C	4	
3	A161701900	Seal /A		D	2	
4	A0ED705800	Cover		D	1	
5	A0ED702800	Pulling Spring		D	1	
6	A161706001	Holding Shutter		D	1	
7	A7PU701200	Shoulder screw		C	1	
8	A5C1700101	Roller		C	1	
9	4038353701	GUIDE		C	1	
10	A161700600	Guide Plate /Middle		D	1	
11	A161946300	Label M2		D	1	
12	A02E712902	Reinforce Plate		D	1	
13	4038353901	GUIDE		C	1	
14	A0ED700600	Guide Sheet		D	1	
15	A161701301	Guide Sheet /A		C	1	
16	A5C1701400	Guide Sheet /B		D	1	
17	A0ED700200	Roller		D	1	
18	A5C1700800	Ground Plate /D		D	1	
19	A0ED700300	Gear 20T		D	1	
20	A0ED700700	Gear 14T		D	1	
21	A161702000	Conveyance Spring /A		C	2	
22	V800500300	FIXED POWER RESISTORS		D	1	
23	A5C1703200	Torsion Coil spring		D	1	
24	A161N10D00	Conveyance Detection harness /L		D	1	
25	A7PU700100Old	Guide Plate /Inside		D	1	
25	A7PU700111	Guide Plate /Inside		D	1	
26	A161700301	Mounting Plate /B		D	1	
27	A161701703	Actuator /T		C	1	
28	A161701100	Spring /A		C	1	
29	A7AHM50400	Humidity sensor		I	1	
30	A161700700	Arm /2		D	1	
31	A161700401	Arm /1		D	1	
32	4163529301	SCREW		C	1	
33	A5C1M50100	Photointerrupter		B	1	
34	A034M20100	Conveyance Solenoid		C	1	
35	4011585202	SHOULDER SCREW		C	2	
36	A161701800	Protection Sheet		D	2	
37	A161N12H00	Sensor Wiring /3		D	1	
38	A161M50000	Photo sensing		I	1	
39	A161M50300	Photo sensing		I	1	
40	A161700901	Reinforce Plate		D	1	
41	A161702101	Cushion /C		C	1	
42	A7PU701000	Reinforce Plate		D	1	
43	A7PU701100	Plate spring		D	1	

VERTICAL TRANSPORT SECTION

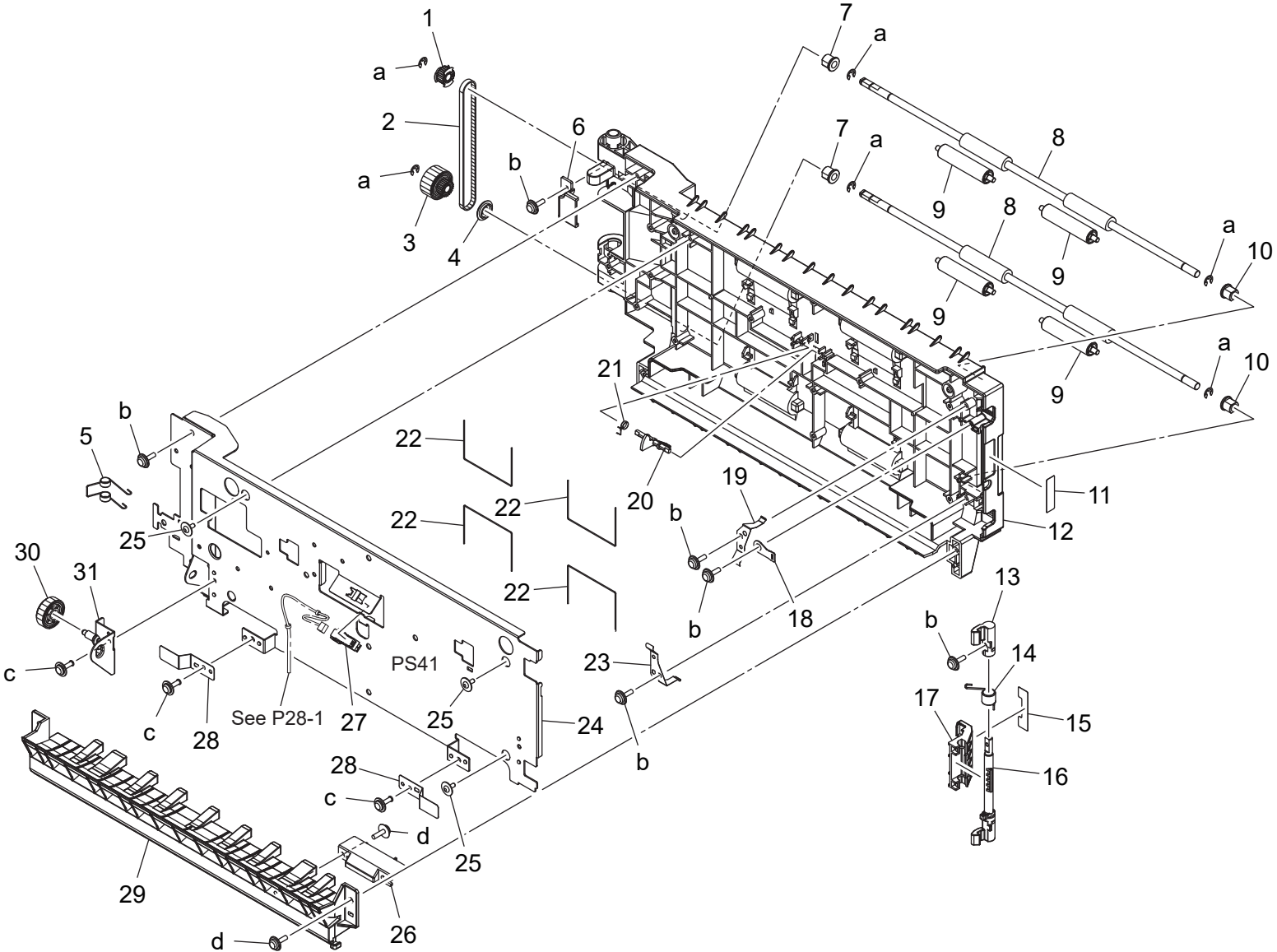
改訂版 REVISED EDITION	日付 DATE
	MAY 2016



VERTICAL TRANSPORT SECTION

Key	Part No.	Description	Destinations	Class	QTY	Standard parts
1	A161N10H01	Conveyance Wiring		D	1	a-V153030803 b-V137030803 c-V162020504 d-V116030803
2	4163529301	SCREW		C	1	
3	A161712700	Spring /C		D	1	
4	A161712401	Ground Spring /A		D	1	
5	A161711100Old	Ground Plate /C		D	1	
5	A5C1715100	Ground Plate /C		D	1	
6	A5C1711000	Ground Spring /B		D	1	
7	V800500300	FIXED POWER RESISTORS		D	1	
8	A5C1710900	Ground Plate /A		D	1	
9	A0ED703800	Actuator		D	1	
10	A5C1M50100	Photointerrupter		B	1	
11	A161710103	Holder /A		D	1	
12	A161550700	Transfer Holder /2		C	1	
13	A5C1711800	Support Plate /Front		D	1	
14	A0ED551000	Compressing Coil spring /2		C	2	
15	A0ED551100	Compressing Coil spring		D	1	
16	A161712300	Fixing Part /Lower		D	1	
17	A0ED550900	Mounting Plate		D	1	
18	A5C1551701	Guide Seal		D	1	
19	A161712500	Ground Spring /C		D	1	
20	A161551600	Mounting Plate		D	1	
21	A161551500	Transfer Holder /2		C	1	
22	A161104101	Adjusting Plate		D	1	
23	A161R71422	2nd Image Transfer Roller Assy		C	1	
24	A0ED550800	Neutralizing Part		D	1	
25	A7PUR72411	Vertical Transport Assy		S	1	
26	A161711200	Pressing Spring		D	2	

VERTICAL TRANSPORT SECTION



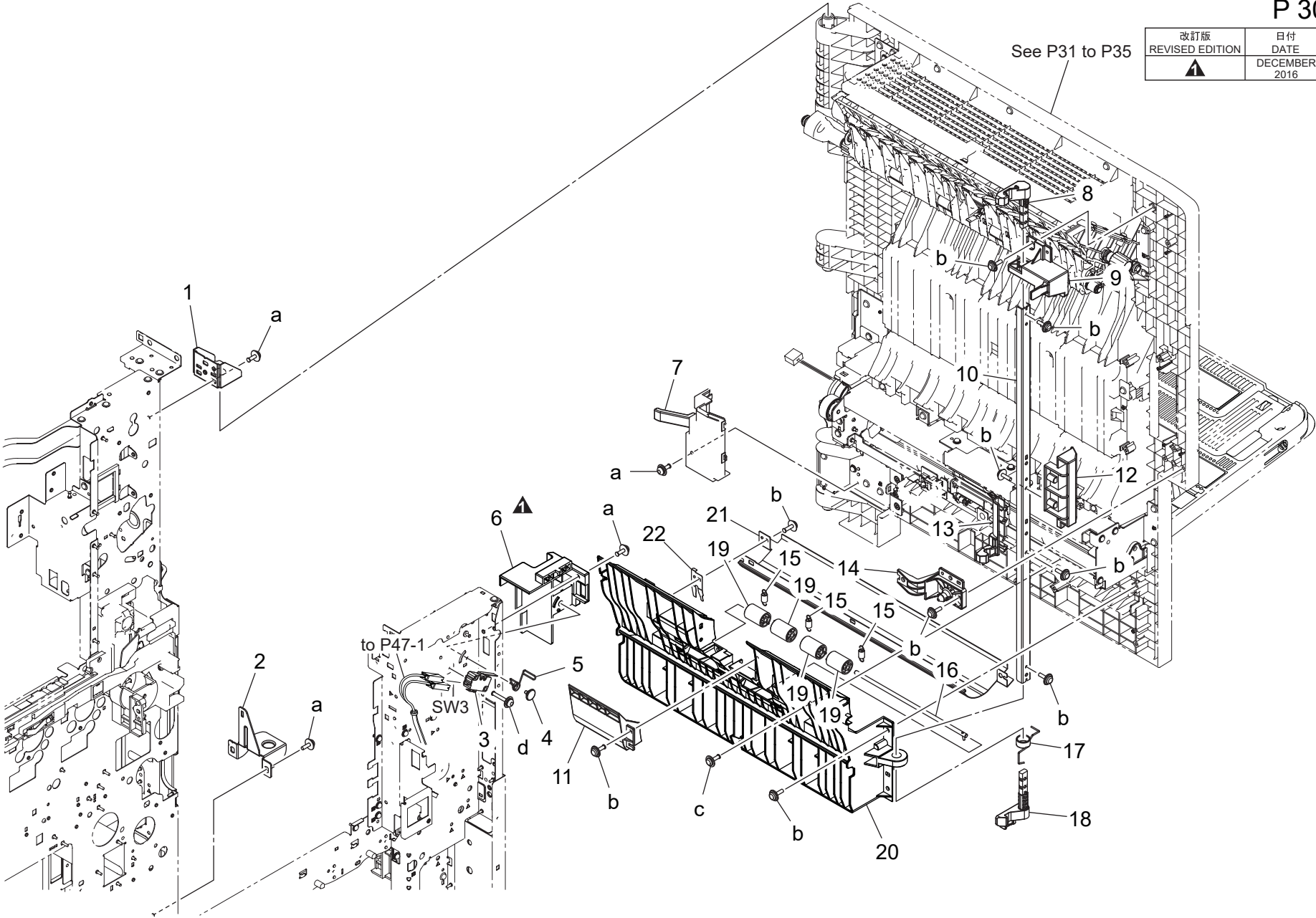
VERTICAL TRANSPORT SECTION

Key	Part No.	Description	Destinations	Class	QTY	Standard parts
1	A0ED811700	Pulley 22T		C	1	a-V217040001 b-V153030803 c-V137030803 d-V153031003
2	A161719000	Drive Belt 266L		C	1	
3	A64J709100	Gear 22/23T		C	1	
4	A0ED811900	Collar		D	1	
5	A161712900	Ground Spring /D		D	1	
6	A161712600	Cover /C		D	1	
7	A161713100	Bushing /1		D	2	
8	A161710500	Roller /A		D	2	
9	A161825700	Idler Roller /A		D	4	
10	A02E815200	BUSHING		C	2	
11	A161946400	Label M6		D	1	
12	A5C1710200	Guide Plate /A		D	1	
13	A161711300	Lock Shaft /A		C	1	
14	A161711700	Spring /B		C	1	
15	A161946200	Label M1		D	1	
16	A5C1711500	Lock Shaft		C	1	
17	A161711600	Open/close Lever		C	1	
18	A161714500	Fixing Part		D	1	
19	A161712000	Ground Plate /D		D	1	
20	A161713500	Actuator		C	1	
21	A161712800	Spring /D		D	1	
22	A161714600	Conveyance Spring /B		D	4	
23	A161712100	Ground Plate /E		D	1	
24	A161710405	Mounting Plate		D	1	
25	4163529301	SCREW		C	3	
26	A161816300	Lock Plate		D	1	
27	A5C1M50100	Photointerrupter		B	1	
28	A0ED702400	Plate spring		D	2	
29	A161710300	Guide Plate /B		D	1	
30	A64J719100	Gear 23T		C	1	
31	A161711901	Support Plate /Rear		D	1	

VERTICAL CONVEYANCE DOOR SECTION

改訂版 REVISED EDITION	日付 DATE
▲	DECEMBER 2016

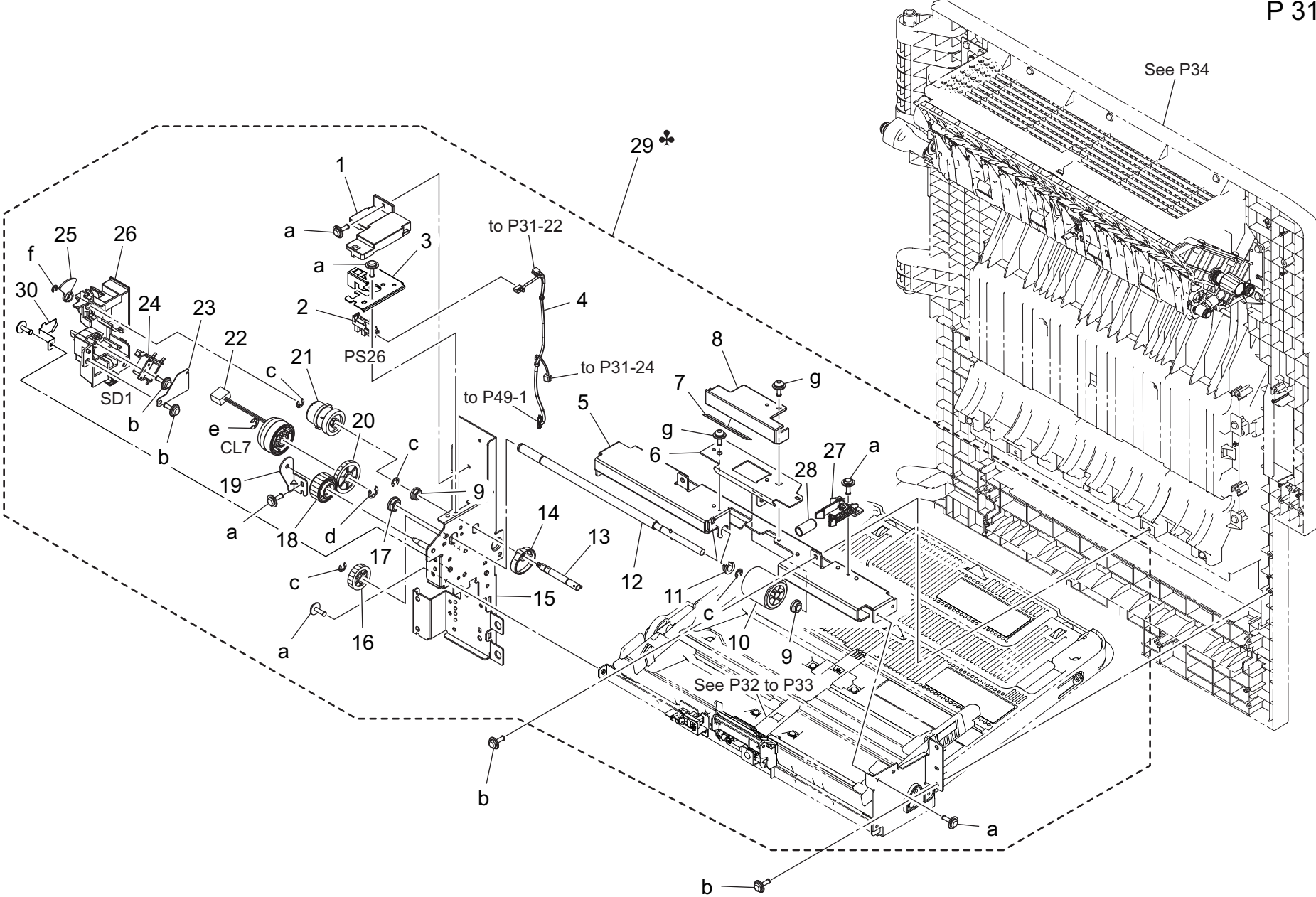
See P31 to P35



VERTICAL CONVEYANCE DOOR SECTION

Key	Part No.	Description	Destinations	Class	QTY	Standard parts
1	A161121300	Adjusting Plate		D	1	a-V116030803 b-V153030803 c-V137030804 d-V116031603
2	A161102500	Adjusting Plate		D	1	
3	9J06M60100	MICRO SWITCH		C	1	
4	A161137100	Shoulder screw		D	1	
5	A161151200	Torsion Coil spring		D	1	
6	A5C1121202	Holder		D	1	
7	A161592900	Wiring Cover /B		D	1	
8	A0ED712100	Lock Claw		C	1	
9	A161811500	Support Part /Upper		D	1	
10	A161811001	Lock Plate		D	1	
11	A5C1590500	Paper feed Guide		D	1	
12	A161811100	Open/close Handle		C	1	
13	A5C1815200	Lock /Middle		C	1	
14	A161811302	Lock Part /Lower		D	1	
15	A64J815500	Pulling Spring		C	3	
16	A161815300	Shaft		D	1	
17	A161815900	Torsion Coil spring		C	1	
18	A5C1811600	Lock Claw /Lower		C	1	
19	A161815400	Roll		C	4	
20	A161810305	Guide Plate /2		D	1	
21	A161815000	Guide Door		D	1	
22	A161816200	Ground Guide		D	1	

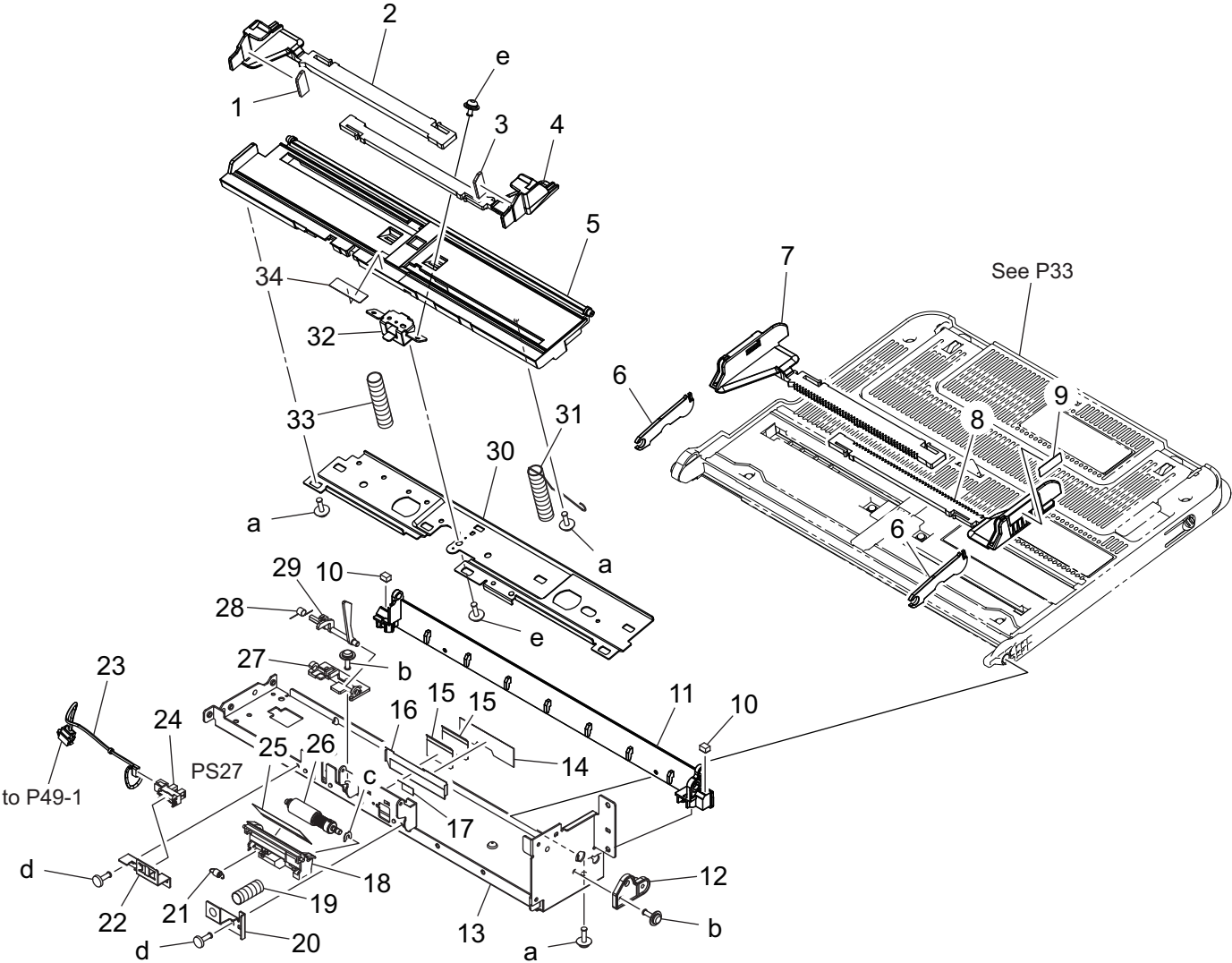
BYPASS TRAY SECTION



BYPASS TRAY SECTION

Key	Part No.	Description	Destinations	Class	QTY	Standard parts
1	A161592800	Wiring Cover /A		D	1	a-V137030803 b-V153030803 c-V217040001 d-V217060001 e-V217050001 f-V217030001 g-V116030803
2	A5C1M50100	Photointerrupter		B	1	
3	A5C1591900	Mounting Plate		D	1	
4	A161N12200	Paperfeed Drive harness /1		D	1	
5	A161590201	Paper feed Frame		D	1	
6	A161594100	Reinforce Plate		D	1	
7	A161594700	Guide Sheet		C	1	
8	A161591700	Auxiliary Guide		D	1	
9	A02E596300	Bushing		C	2	
10	A00F623201	Roller		B	1	
11	A161594400	Slide Stopper		C	1	
12	A161591500	Paper feed Shaft		D	1	
13	A161591400	Drive Shaft		D	1	
14	A161593300	Paper feed Cam		C	1	
15	A161F59002	Caulking(Mounting Plate Drive Frame)		D	1	
16	A02E595400	Gear 22T		C	1	
17	4131353202	BUSHING		C	1	
18	A161590800	Bypass Gear 24T		C	1	
19	A161590600	Reinforce Plate		D	1	
20	A02E596100	Gear 30T		C	1	
21	A02E595100	Clutch assy		C	1	
22	A02EM20100	Clutch		B	1	
23	A0ED597800	Cover		D	1	
24	9321240011	SOLENOID		C	1	
25	A161591300	Light blocking Plate		C	1	
26	A5C1591200	Drive Cover		D	1	
27	A161594800	Hold Claw		C	1	
28	A161594900	Coil spring		C	1	
29	A7PUR71722	Manual Feed Tray Assy /Metric	A,A1,C,D1,D3,E,F2,G 1,I,K,J,H	S	1	
29	A7PUR71822	Manual Feed Tray Assy /Inch	B,G2	S	1	
30	A7PU596900	Auxiliary Cover		D	1	

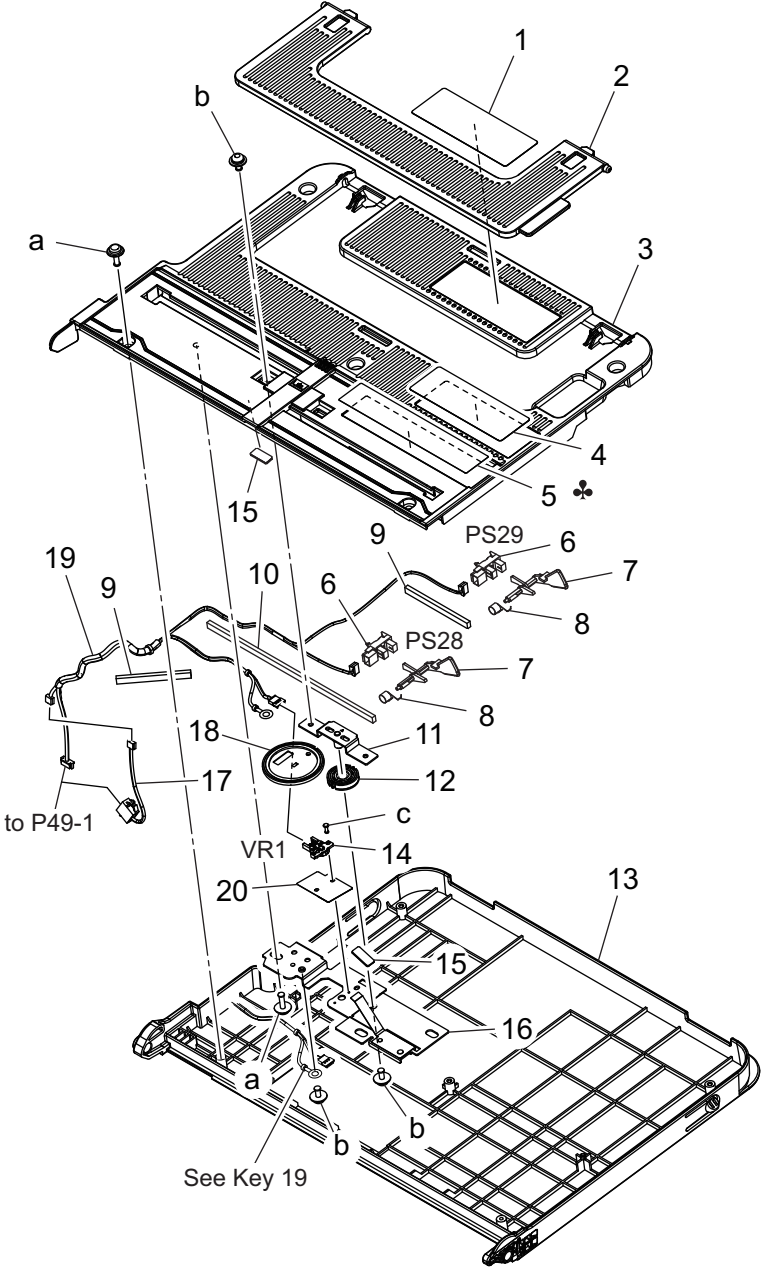
BYPASS TRAY SECTION



BYPASS TRAY SECTION

Key	Part No.	Description	Destinations	Class	QTY	Standard parts
1	A161594500	Brake Part		C	1	a-V153030803 b-V137030803 c-V218030086 d-V118030803 e-V116030604
2	A7PU596200	Regulating Plate /R		C	1	
3	A161594600	Brake Part /F		C	1	
4	A7PU596100	Regulating Plate /L		C	1	
5	A7PU593000	Lifting Plate		D	1	
6	A7PU595500	Lever		C	2	
7	A7PU593200Old	Regulating Plate /R		C	1	
7	A7PU593201	Regulating Plate /R		C	1	
8	A7PU593100	Regulating Plate /F		C	1	
9	A7PU944900	Label		C	1	
10	A161594201	Cushion		D	2	
11	A161590304	Support Holder		D	1	
12	A161591600	Hold Plate		C	1	
13	A161590101	Bypass Frame		D	1	
14	A161595100	Seal		C	1	
15	4030340301	GUIDE		C	2	
16	A161595300	Separating Plate		C	1	
17	A161595600	Slide Guide		C	1	
18	A161595000	Holder		D	1	
19	4030347501	PRESSURE SPRING		C	1	
20	A161595400	Hold Plate		D	1	
21	A161595200	Pulling Coil spring		C	1	
22	A161591800	Sensor Holder		D	1	
23	A7PUN10A00	Harness/ Sensor		D	1	
24	A5C1M50100	Photointerrupter		B	1	
25	A02E597600	Guide		C	1	
26	4658015106	Roller Assy		A	1	
27	A161591100	Sensor Holder		D	1	
28	A161591000	Torsion Spring		C	1	
29	A161590901	Actuator		C	1	
30	A7PU596700	Mounting Plate		D	1	
31	A161593600	Compressing Coil spring		C	1	
32	A7PU596000	Mounting Plate		D	1	
33	A161593400	Compressing Coil spring		C	1	
34	A7PU594000	Separating Sheet		C	1	
35	A7PU944500	Label		C	1	

BYPASS TRAY SECTION

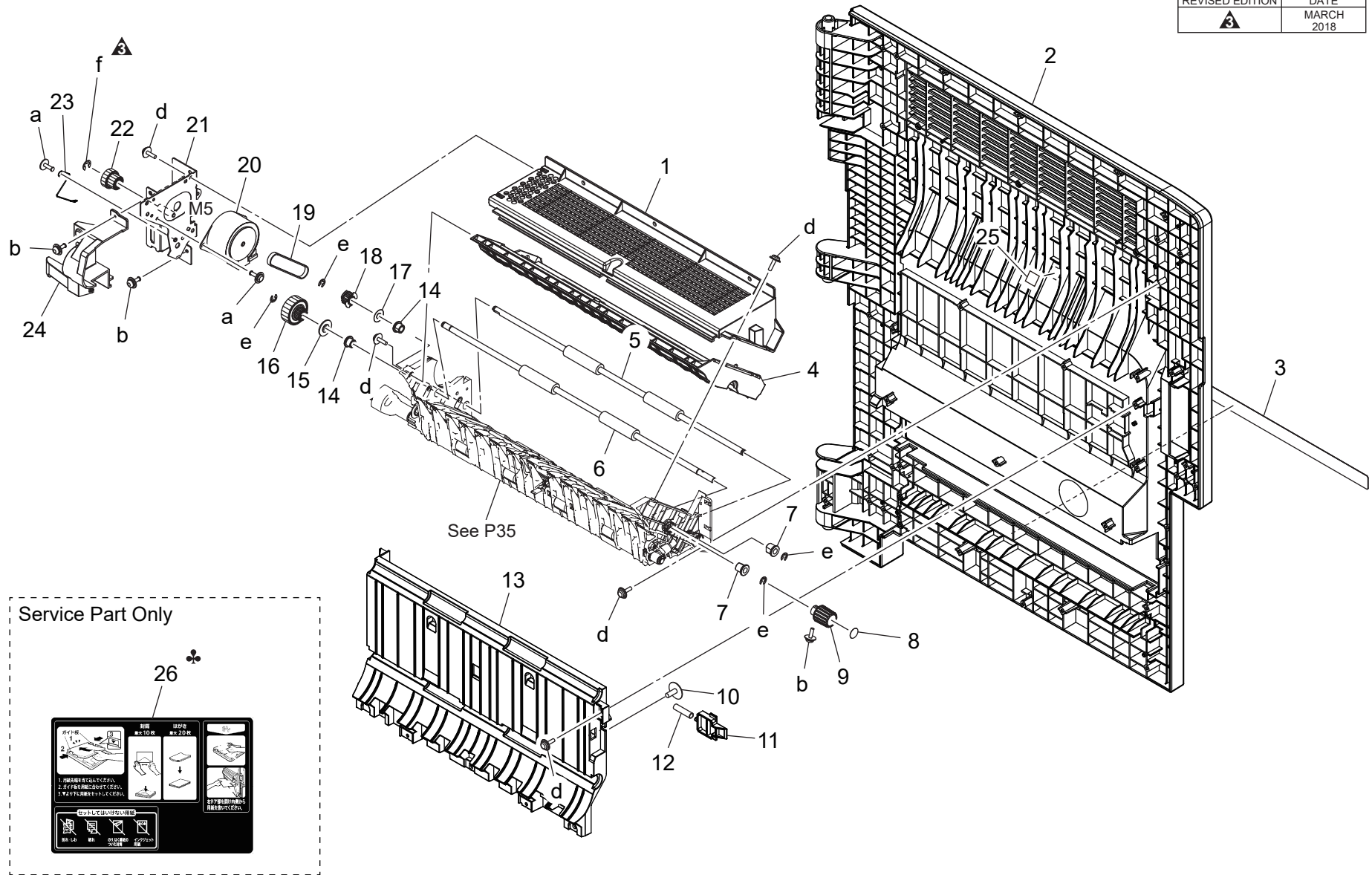


BYPASS TRAY SECTION

Key	Part No.	Description	Destinations	Class	QTY	Standard parts
1	A7PU944401	Label Paper supply		C	1	a-V153030803 b-V116030603 c-V111170403
2	A161592200	Auxiliary Tray		C	1	
3	A7PU592100	Bypass Tray /Upper		C	1	
4	A7PU944301	Label Paper supply		C	1	
5	A7PU944100	Label Metric	A,A1,C,D1,D3,E,F2,G 1,I,K,J,H	C	1	
5	A7PU944200	Label Inch	B,G2	C	1	
6	A5C1M50100	Photointerrupter		B	2	
7	A161592400	Actuator		C	2	
8	A161592501	Torsion Spring		C	2	
9	A161592600	Holding Cover /2		D	2	
10	A161592300	Holding Cover		D	1	
11	A7PUF60000	Mounting Plate		D	1	
12	A7PU593500	Gear		C	1	
13	A7PU592000	Bypass Tray		C	1	
14	A161M50400	VR		D	1	
15	A161593800	Friction Plate		C	2	
16	A7PU593700	Mounting Plate		D	1	
17	A7PUN10900	Harness/ Relay		D	1	
18	A161594300	Regulating Gear 41T		C	1	
19	A7PUN10B01	Harness/ Sensor		D	1	
20	A7PU599300	Insulating Sheet		D	1	

REVERSAL UNIT

改訂版 REVISED EDITION	日付 DATE
	MARCH 2018



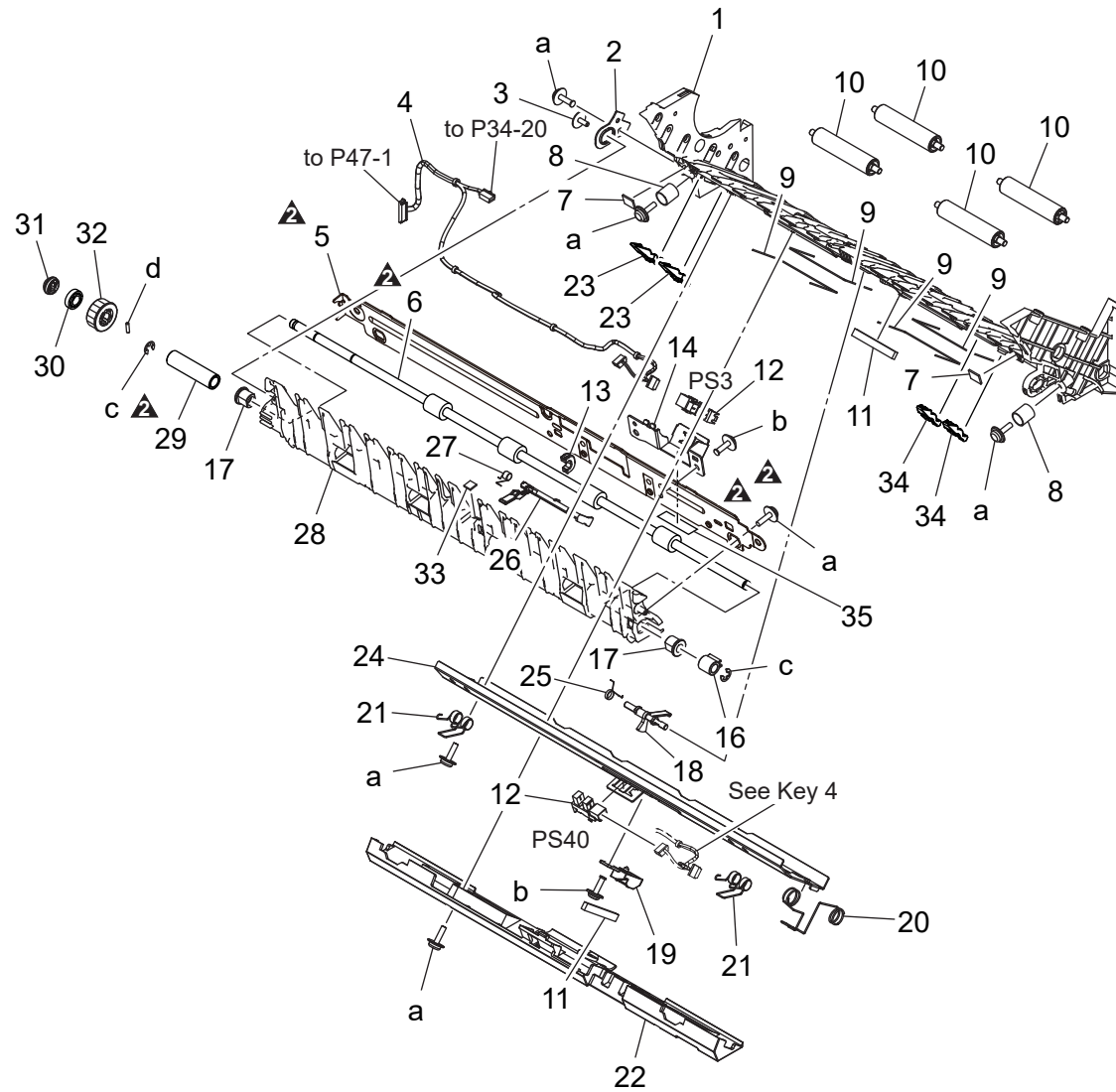
REVERSAL UNIT

Key	Part No.	Description	Destinations	Class	QTY	Standard parts
1	A161810701	Cover /Upper		D	1	a-V137030803 b-V116030803 c-V217050001 d-V153030803 e-V217040001 f-V217030001
2	A7PU810101	Guide Door /Right		C	1	
3	A161815100	Cover Door		C	1	
4	A5C1822000	Guide Plate		D	1	
5	A161814601	Roller /C		C	1	
6	A161813701	Roller /B		C	1	
7	A02E815200	BUSHING		C	2	
8	A161946100	Label M5		C	1	
9	A161814700	Knob /A		C	1	
10	4163529301	SCREW		C	1	
11	A5C1815700	Open/close Claw		C	1	
12	A161815800	Swing Spring		C	1	
13	A7PU810200	Guide Plate /1		D	1	
14	A161813300	Bushing /A		C	2	
15	A161813801	Collar /A		C	1	
16	A5C1819700	Gear 22/29T		C	1	
17	A161816400	Spacer /A		C	1	
18	A0ED811700	Pulley 22T		C	1	
19	A161819000	Drive Belt 156L		C	1	
20	A7PUM10300	Stepping motor		C	1	
21	A161F81103Old	Caulking(Panel Rear)		D	1	
21	A7PU811300	Panel /Rear		D	1	
22	A5C1819600Old	Gear 16/26T		C	1	
22	A7PU819600	Gear /4		C	1	
23	A5C1814300	Contact /B		D	1	
24	A161814901	Cover /B		D	1	
25	A00F941100	Label ラベル (高温マーク)		D	1	
26	A7PU944600	Label ラベル (手差し・操作)	A,A1	C	1	

REVERSAL UNIT

P 35

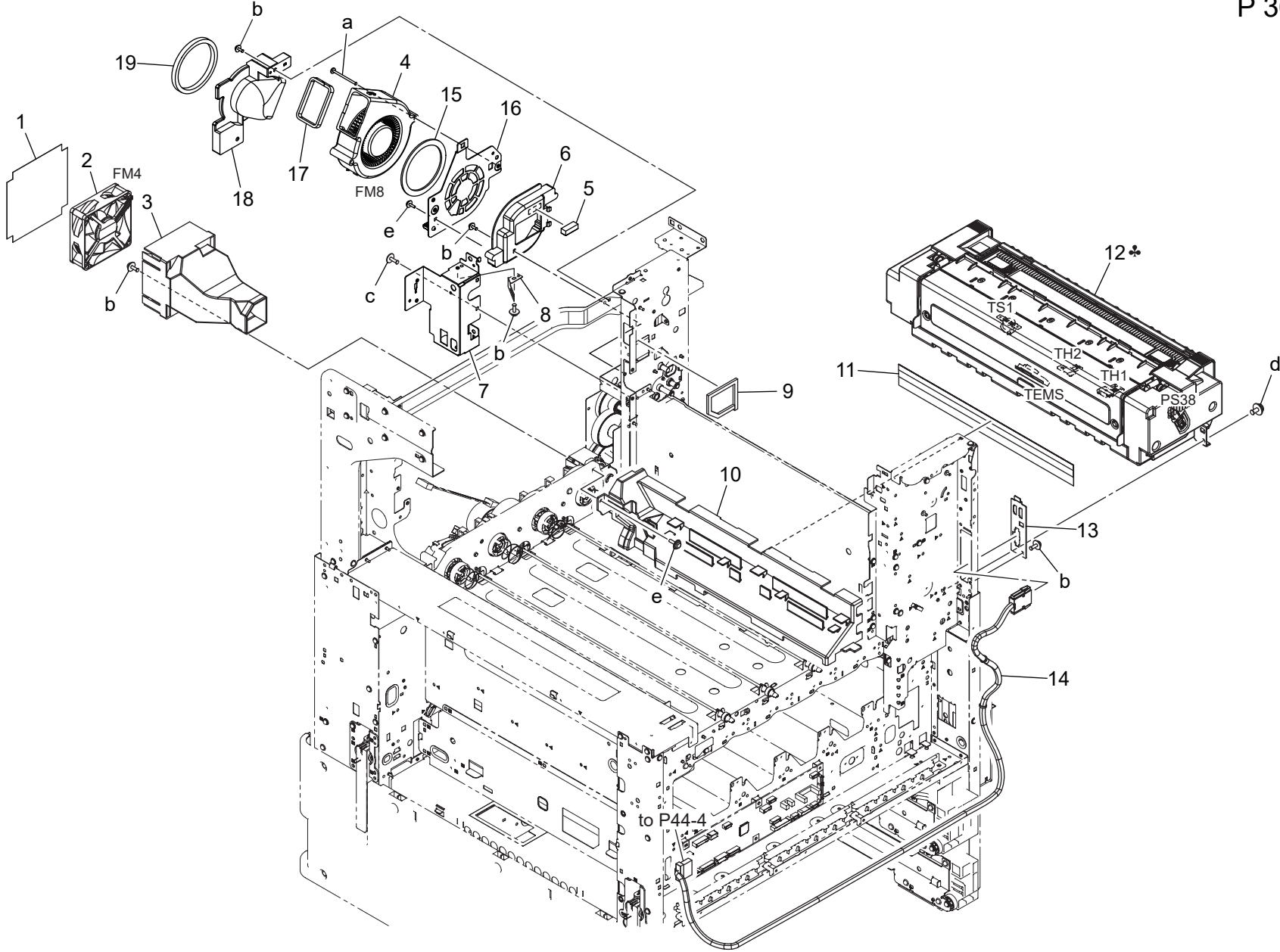
改訂版 REVISED EDITION	日付 DATE
	MARCH 2018



REVERSAL UNIT

Key	Part No.	Description	Destinations	Class	QTY	Standard parts
1	A5C1811700	Guide Plate /3		D	1	a-V153030803 b-V137030803 c-V217040001 d-V234200850
2	A161814401	Mounting Plate /3		D	1	
3	4163529301	SCREW		C	1	
4	A161N12100	Conveyance Drive harness /Upper		D	1	
5	A161810801Old	Mounting Plate /2		D	1	
5	A7PU810800	Mounting Plate /2		D	1	
6	A5C1810603	Roller /1		C	1	
7	A161825301	Cushion /A		D	2	
8	A161813600	Pressing Spring /A		C	2	
9	A0ED815100	Holding Part		D	4	
10	A161825700	Idler Roller /A		D	4	
11	A161825800	Cushion /B		D	2	
12	A5C1M50100	Photointerrupter		B	2	
13	A161819500	Bushing /C		C	1	
14	A161825102	Mounting Plate /4		D	1	
16	A161814500	Bushing /B		C	1	
17	A02E815200	BUSHING		C	2	
18	A161813200	Actuator		C	1	
19	A161825400	Wiring Part		D	1	
20	A5C1814200	Contact /A		D	1	
21	A161813400	Torsion Coil spring		D	2	
22	A161813902	Cover /A		D	1	
23	A5C1811901	Guide Plate /Rear		D	2	
24	A7PU810900	Mounting Plate /1		D	1	
25	A161712800	Spring /D		D	1	
26	A161813001	Actuator		C	1	
27	A161813100	Torsion Coil spring		C	1	
28	A161810503	Guide Plate /4		D	1	
29	A5C1825500Old	Cover /D		D	1	
29	A7PU825500	Collar		D	1	
30	A5C1825000	Bushing		C	1	
31	A161825000	Bushing		C	1	
32	A161819200	Gear 18T		C	1	
33	A161826001	Cushion /B		D	1	
34	A5C1811803	Guide Plate /Front		D	2	
35	A79J821000	Protection Part		C	1	

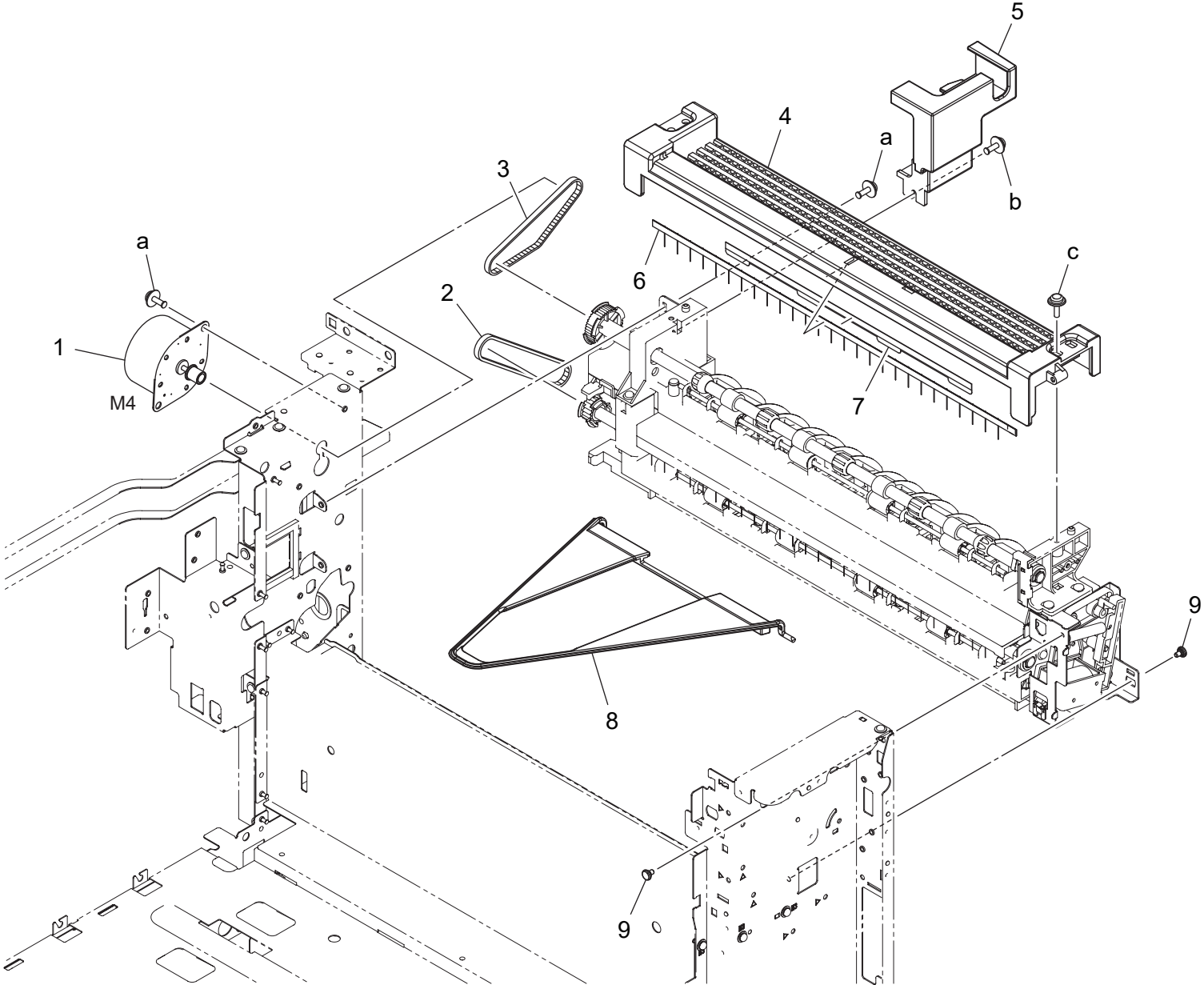
FUSING SECTION



FUSING SECTION

Key	Part No.	Description	Destinations	Class	QTY	Standard parts
1	A0ED146900	Filter		C	1	a-V116033503 b-V116030803 c-V137030803 d-V116041003 e-V153030803
2	4139M10000	Fan motor		B	1	
3	A161140501	Duct		D	1	
4	9313100072	FAN MOTOR		C	1	
5	A5C1149400	Fixing Sheet		D	1	
6	A5C1140300	Duct /1		D	1	
7	A5C1121100	Mounting Plate		D	1	
8	A161122500	Ground Plate		D	1	
9	A161121401	Seal /Upper		D	1	
10	A161140400	Duct		D	1	
11	A161102700	Seal		D	1	
12	A161R71788	Fusing Unit 100V	A,A1	B	1	
12	A161R71888	Fusing Unit 120V	B,G2	B	1	
12	A161R71999	Fusing Unit 230V	C,D1,D3,E,F2,G1,I,K ,J	B	1	
12	A161R73244	Fusing Unit 110V	H	A	1	
13	A161137202	Mounting Plate		D	1	
14	A5C4N10500	Heater Relay harness /3		D	1	
15	A02E117300	Seal		C	1	
16	A5C1148100	Mounting Plate		D	1	
17	A7PU143300	Seal		C	1	
18	A7PU142300	Duct		D	1	
19	A7PU143400	Seal		C	1	


PAPER EXIT SECTION

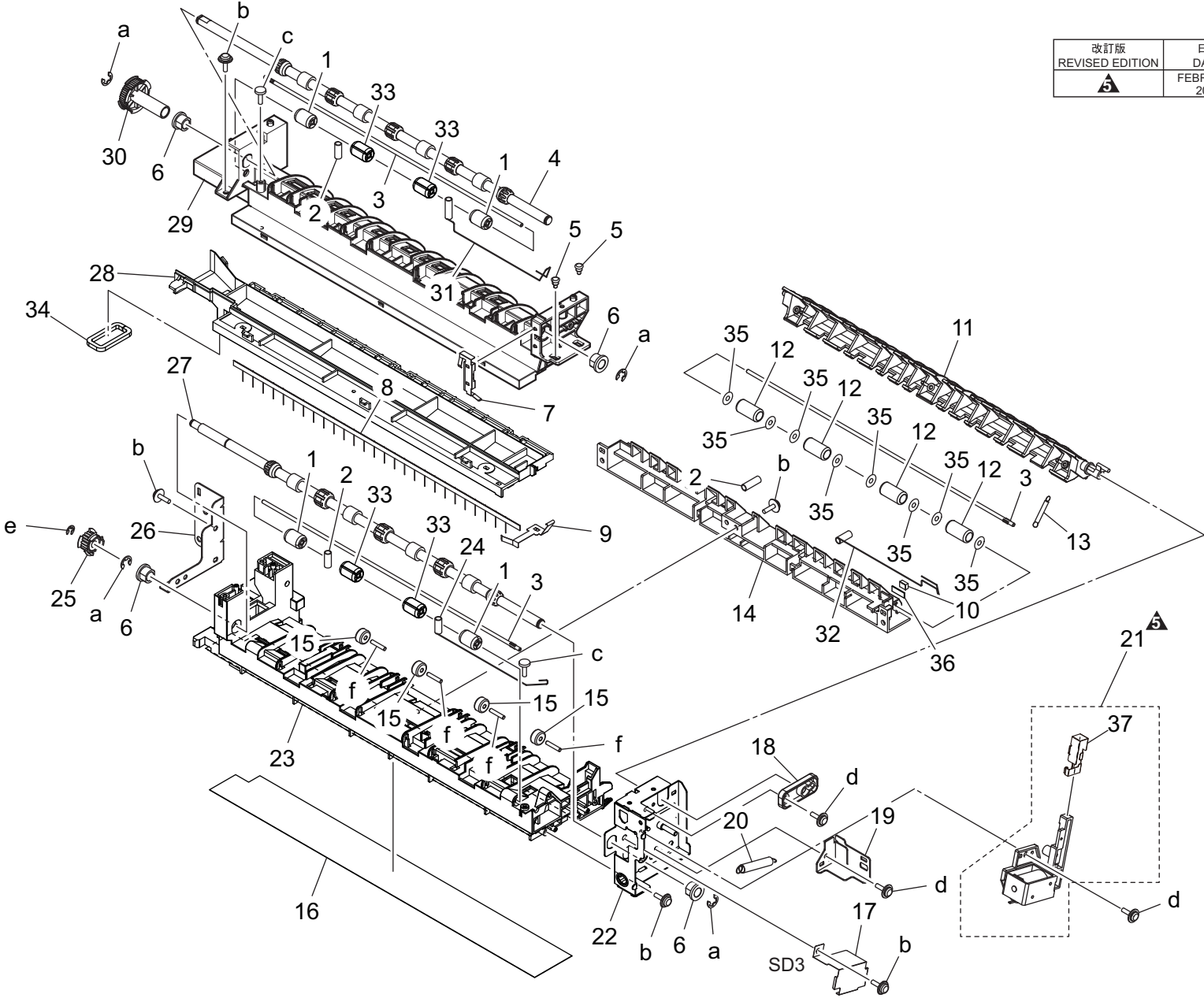


PAPER EXIT SECTION

Key	Part No.	Description	Destinations	Class	QTY	Standard parts
1	A7PUM10400	Stepping motor		C	1	a-V116030803 b-V116030804 c-V153030803
2	A161891401	Timing belt 231L		D	1	
3	4640392001	BELT		C	1	
4	A161895301	Paper exit Cover		D	1	
5	A161162304	Cover		D	1	
6	A161894000	Neutralizing Brush		C	1	
7	A161894100	Sheet		D	1	
8	A161897200	Guide Part		C	1	
9	A0P0742300	Shoulder screw		C	2	

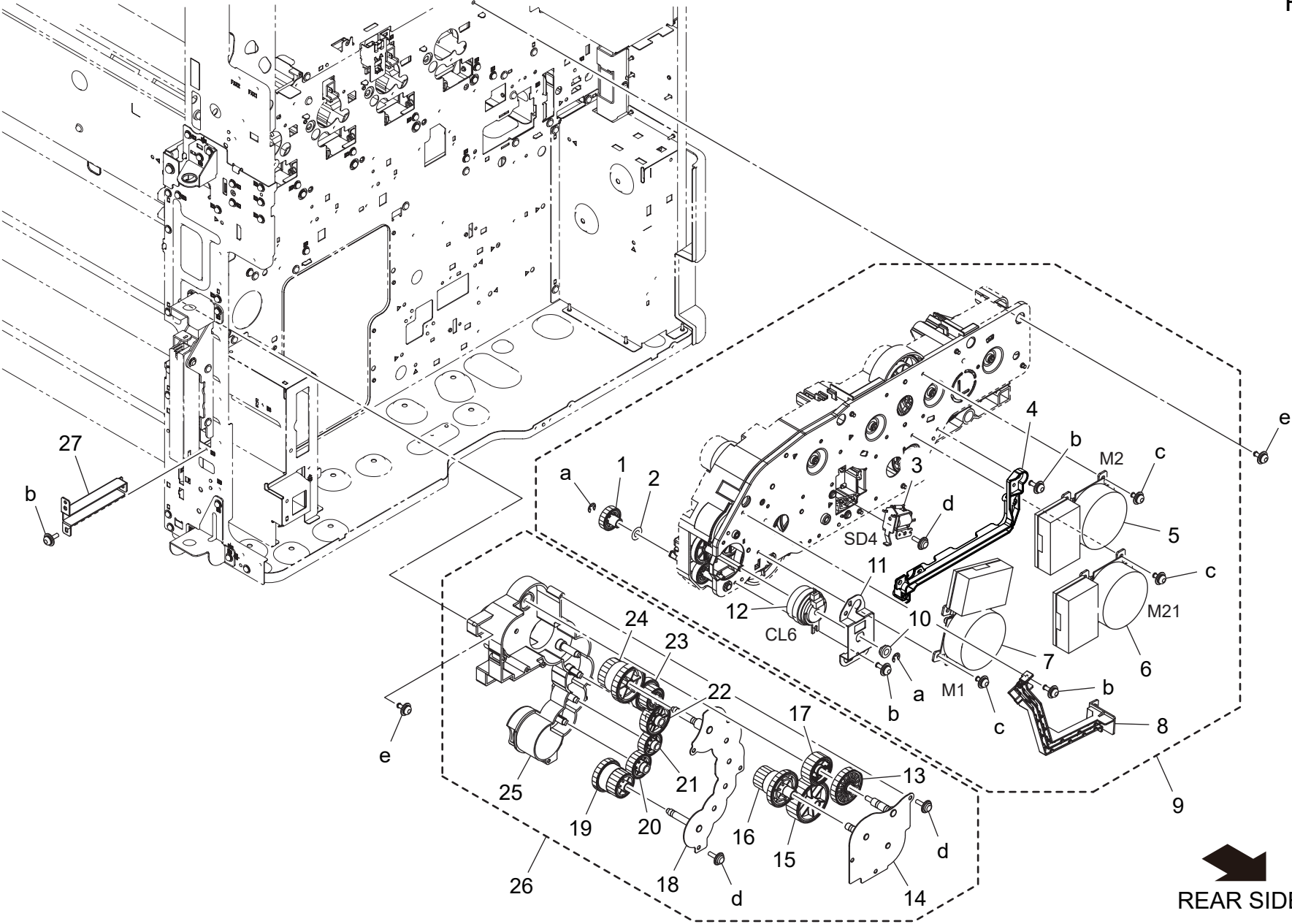
PAPER EXIT SECTION

改訂版 REVISED EDITION	日付 DATE
	FEBRUARY 2018



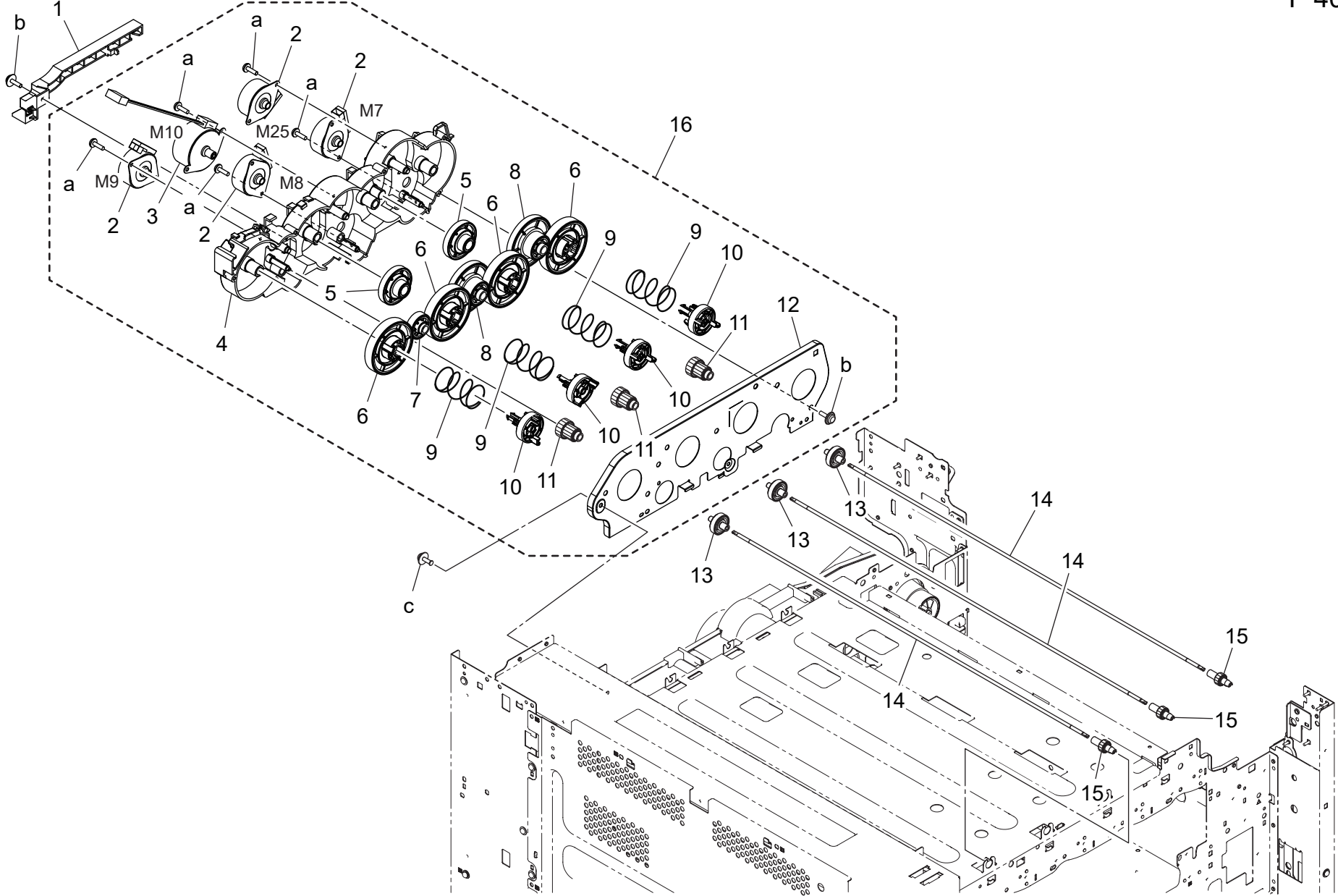
Key	Part No.	Description	Destinations	Class	QTY	Standard parts
1	4004590301	ROLL		C	4	a-V217060001 b-V153030803 c-V149030803 d-V137030803 e-V217040001 f-V234301650
2	A161892400	Spring		C	3	
3	4025598401	SHAFT		D	3	
4	A161895400	Roller		C	1	
5	1164202801	SHOULDER SCREW		D	2	
6	A0ED891100	Bushing		D	4	
7	A161895502	Ground Contact /Upper		D	1	
8	A161894000	Neutralizing Brush		C	1	
9	A161895600	Ground Contact /Lower		D	1	
10	A161893601	Cushion		D	1	
11	A5C1890401	Guide Lever		D	1	
12	A2X0901100	Roll		C	4	
13	A161892100	Spring		C	1	
14	A7PU890200	Guide Part /Lower		D	1	
15	A0ED897700	Collar		C	4	
16	A5C1900500	Seal		C	1	
17	A7PU890700	Cover		D	1	
18	A161891000	Bushing		D	1	
19	A161892300	Mounting Plate		D	1	
20	A161892000	Spring		D	1	
21	A161R72644	Solenoid Assy		C	1	
22	A161F89003	Caulking(Mounting Plate)		D	1	
23	A5C1890100	Paper exit Main body		D	1	
24	A161900100	Ground Spring		C	1	
25	A161891301	Pulley 18T		D	1	
26	A161892902	Fixing Part		D	1	
27	A161890300	Roller		C	1	
28	A5C1900600	Paper exit Guide /Lower		D	1	
29	A161895113	Paper exit Guide /Upper		D	1	
30	A161895800	Pulley 44T		D	1	
31	A161900201	Ground Spring		C	1	
32	A161900300	Ground Spring		C	1	
33	A5C1891100	Roll		D	4	
34	A5C1900400	Seal		C	1	
35	A64J891200	Washer		D	8	
36	A64J891500	Sheet		D	1	
37	A7PU890800	Holding Part		D	1	

MAIN DRIVE/ PAPER FEED DRIVE SECTION

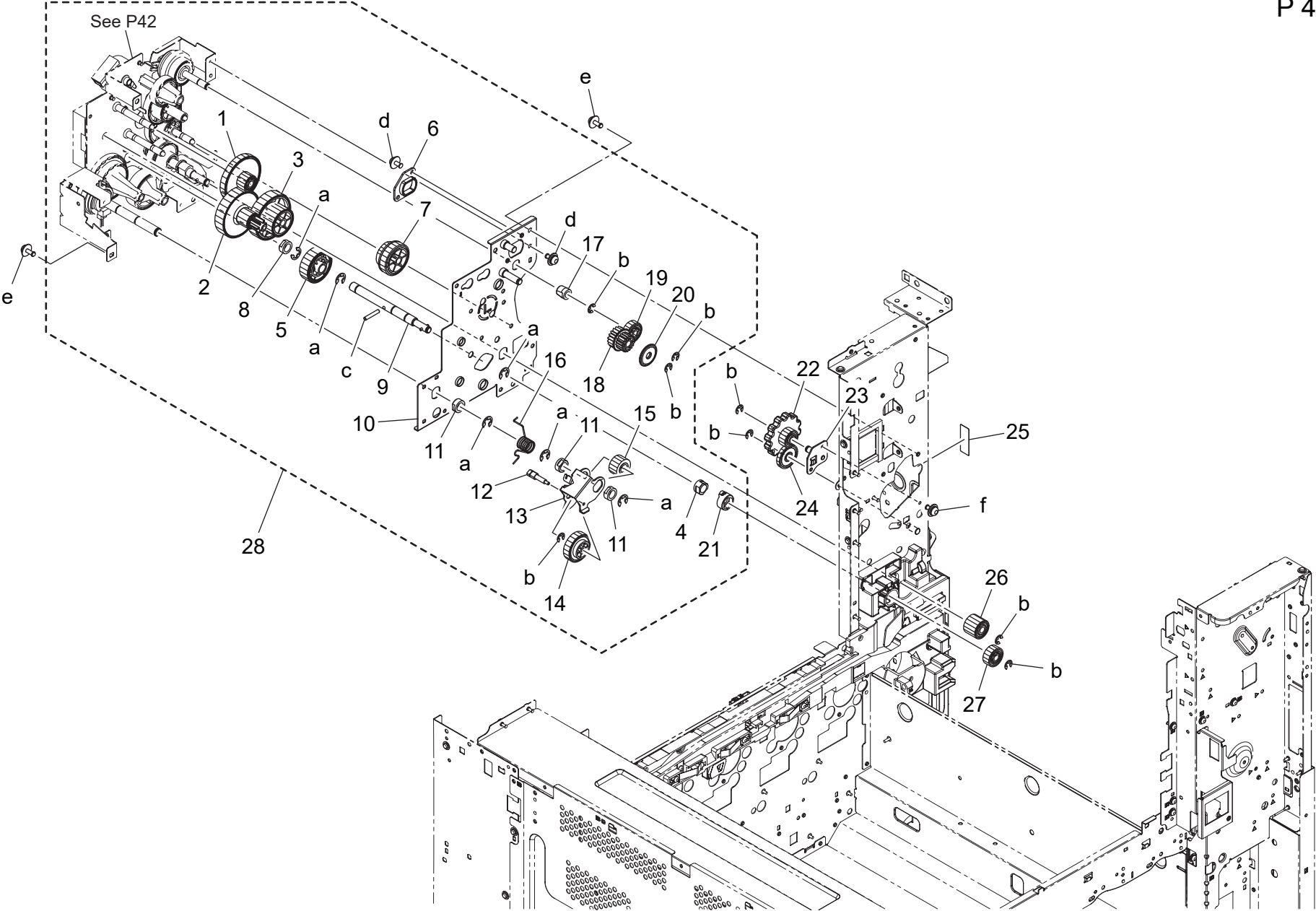


REAR SIDE

TONER BOTTLE DRIVE SECTION



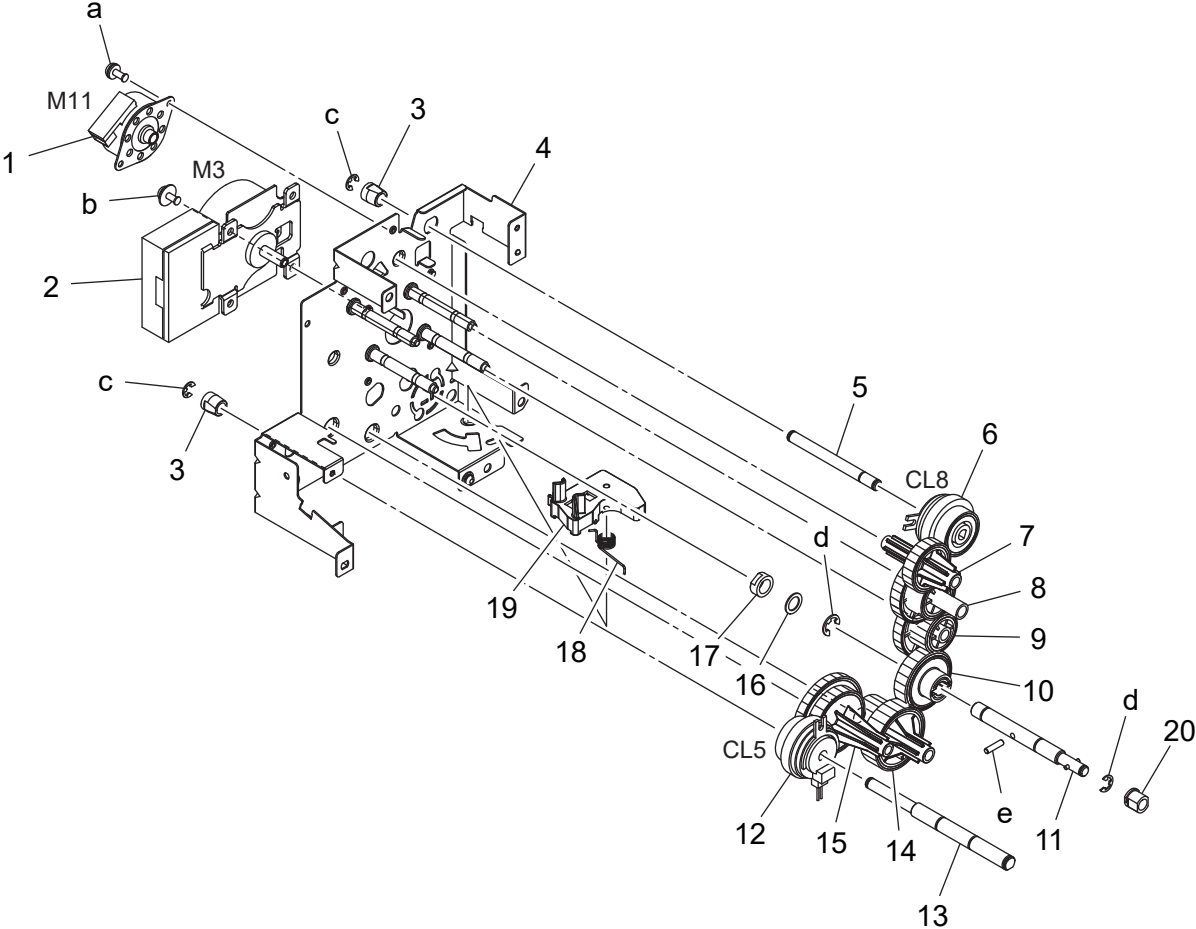
FUSING DRIVE SECTION



FUSING DRIVE SECTION

Key	Part No.	Description	Destinations	Class	QTY	Standard parts
1	A161254200	Gear 18/115T	ギア 18 / 115 T	D	1	a-V217060001 b-V217040001 c-V234301850 d-V116030603 e-V125030818 f-V116030803
2	A161254300	Gear 18/57T	ギア 18 / 57 T	D	1	
3	A161254400	Gear 33/55T	ギア 33 / 55 T	D	1	
4	A161254700	Bushing	すべり軸受	D	1	
5	A161254500	Gear 38T	ギア 38 T	D	1	
6	A161232200	Bushing	すべり軸受 (排紙ドッキング)	D	1	
7	A161228800	Gear 22/23T	ギア 22 / 23 T	D	1	
8	A03U812800	Slide Shaft Holder	すべり軸受	B	1	
9	A161256300	Shaft	軸 (定着離間)	D	1	
10	A161F25102	Caulking(Mounting Plate Fuser Drive 2L)	取付板 (定着駆動 2 L) カシメ	D	1	
11	A0ED259700	Bushing	すべり軸受 (Φ 8小判)	C	3	
12	A161259400	Shaft	軸 (一次離間 2)	D	1	
13	A161258800	Mounting Plate	取付板 (一次離間)	D	1	
14	A0ED257500	Gear 26T	ギア (一次離間アイドル) 26 T	C	1	
15	4038258001	GEAR 16T	ギヤ 16 T	C	1	
16	A161232501	Torsion Coil spring	ねじりコイルばね (一次離間)	D	1	
17	A161232300	Bushing	すべり軸受 (φ 6)	D	1	
18	A5C1231300	Gear 18/18T	ギア 18 / 18 T	C	1	
19	A161230700	Gear 18T	ギア 18 T	C	1	
20	A2XK224100	Collar	カラー	D	1	
21	A161232401	Collar	カラー (ガイド)	D	1	
22	A161122002	Gear 12T	ギア 12 T	D	1	
23	A161F10901	Caulking	取付板カシメ	D	1	
24	A161121900	Gear 17T	ギア 17 T	D	1	
25	A161941100	Label M4	ラベル M 4	D	1	
26	A5C1228700	Gear	ギア	C	1	
27	A5C1254600	Gear	ギア	C	1	
28	A7PUR72111	Fusing Drive Assy	定着駆動 A s s y	S	1	

FUSING DRIVE SECTION

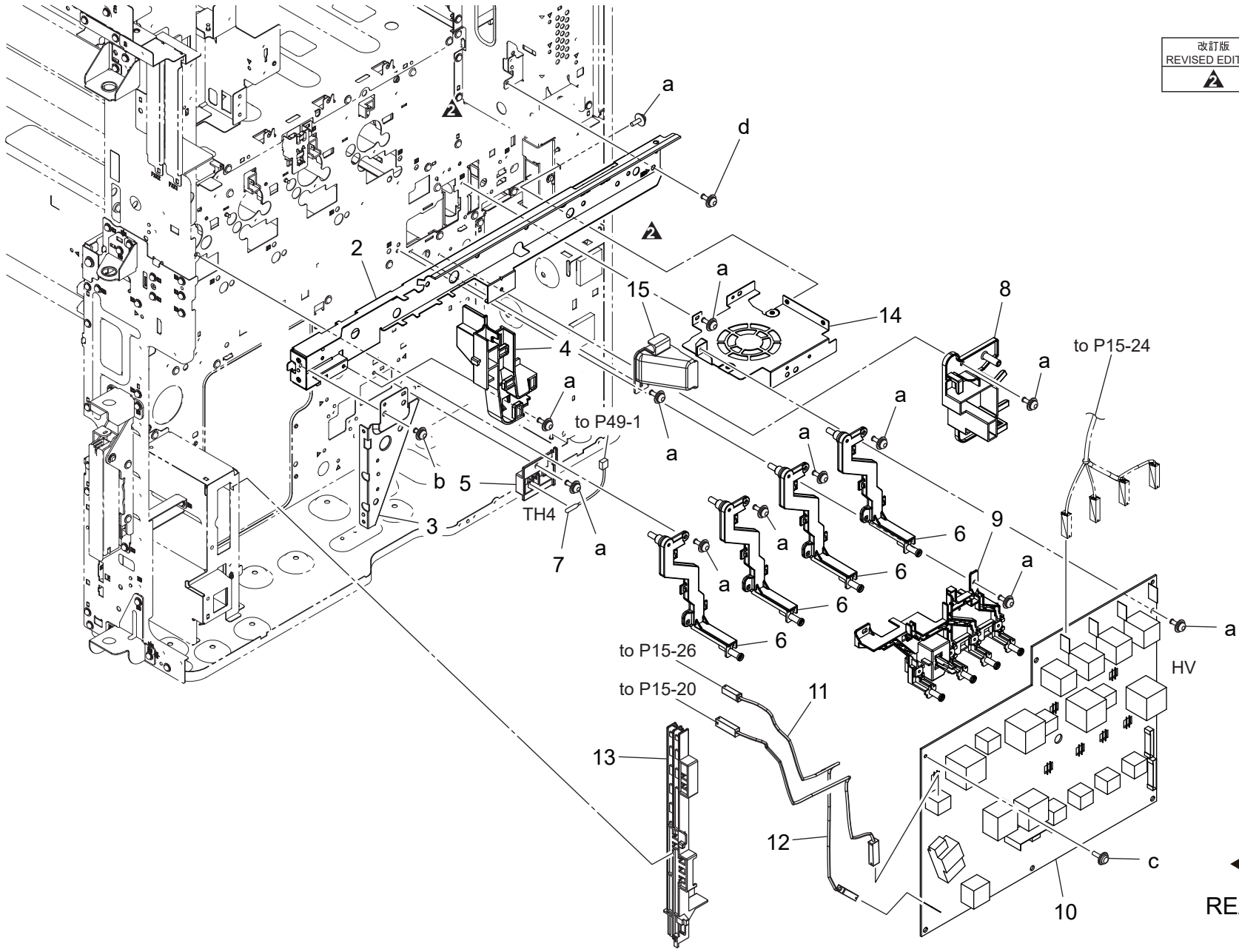


FUSING DRIVE SECTION

Key	Part No.	Description	Destinations	Class	QTY	Standard parts
1	A7PUM10700	Stepping motor		C	1	a-V115030603 b-V116030603 c-V217040001 d-V217060001 e-V234301250
2	A7PUM10000	Brushless motor /20		I	1	
3	A161232300	Bushing		D	2	
4	A161F25013	Caulking(Mounting Plate Fuser Drive L)		D	1	
5	A161231800	Shaft		D	1	
6	A161M20400	Clutch		C	1	
7	A161230600	Gear 27T		D	1	
8	A161230500	Gear 24/70T		D	1	
9	A161228000	Gear 22/70T		D	1	
10	A161228100	Gear 33T		D	1	
11	A161228312	Shaft (定着)		D	1	
12	A161M20100	Clutch		C	1	
13	A161258700	Shaft		D	1	
14	A161259100	Gear 26/35T		D	1	
15	A161259200	Gear 35/45T		D	1	
16	A1RF505400	Slide Spacer		D	1	
17	A03U812800	Slide Shaft Holder		B	1	
18	A161258501	Torsion Coil spring		D	1	
19	A161228601	Lever		D	1	
20	A161702200	Bushing		C	1	

HIGH VOLTAGE SECTION

改訂版 REVISED EDITION	日付 DATE
	JANUARY 2017



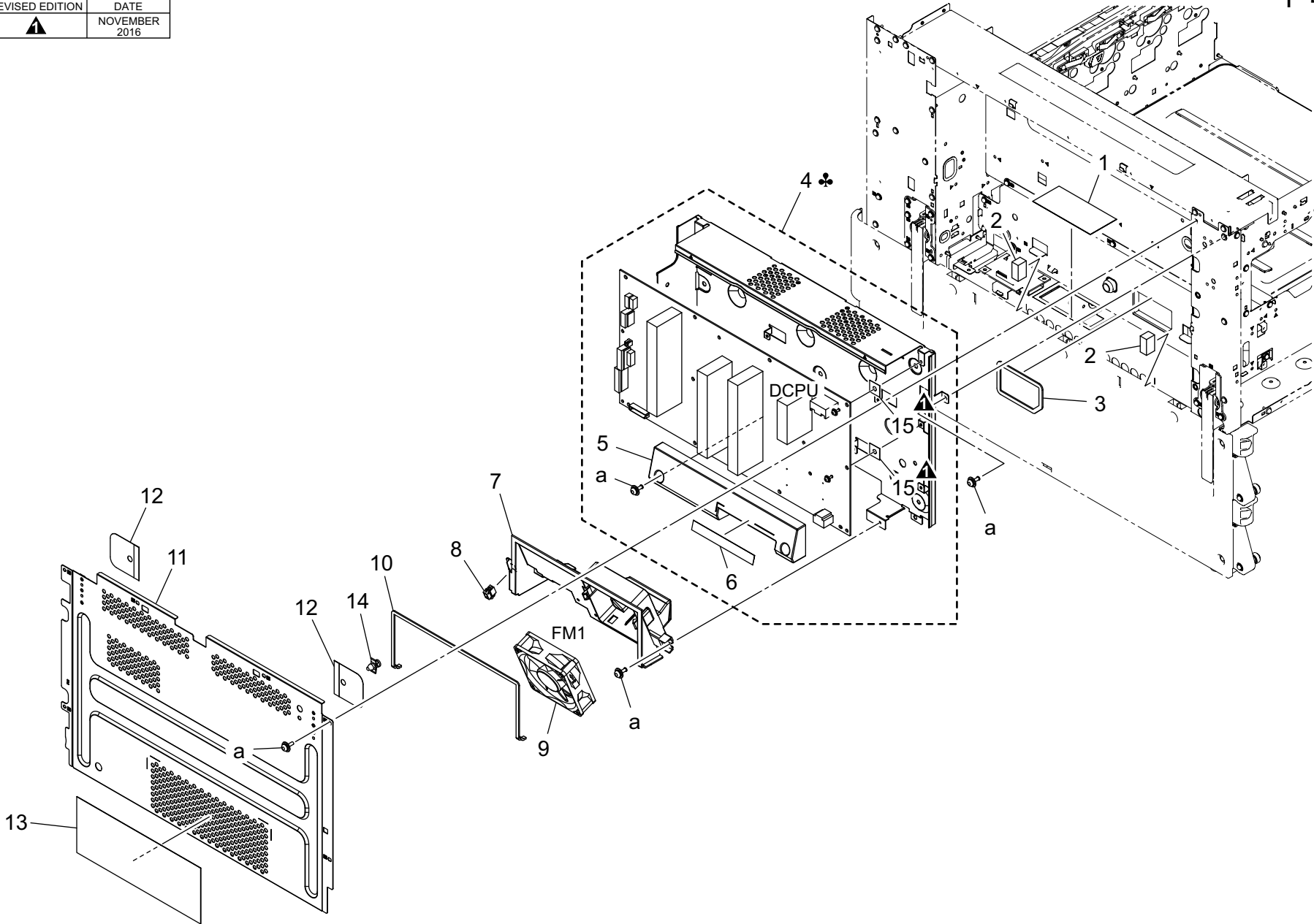

REAR SIDE

HIGH VOLTAGE SECTION

Key	Part No.	Description	Destinations	Class	QTY	Standard parts
2	A7PU132502	Mounting Plate		D	1	a-V116030803 b-V116030603 c-V153030804 d-V125030818
3	A161132801	Reinforce Plate		D	1	
4	A7PU132100	Guide		D	1	
5	A161137701	Holder		D	1	
6	A7PUR71900	HV Contact Assy		D	4	
7	A0P0M50300	Thermistor		C	1	
8	A7PU141800	Holder		D	1	
9	A161R70322	DV Contact Assy		D	1	
10	A7PUM40600	High voltage unit		I	1	
11	A161N11300	Transfer Wiring /2		D	1	
12	A161N11K00	Neutralizing Wiring		D	1	
13	A5C1134800	Guide		D	1	
14	A5C1142001	Mounting Plate		D	1	
15	A161141500	Duct /2		D	1	

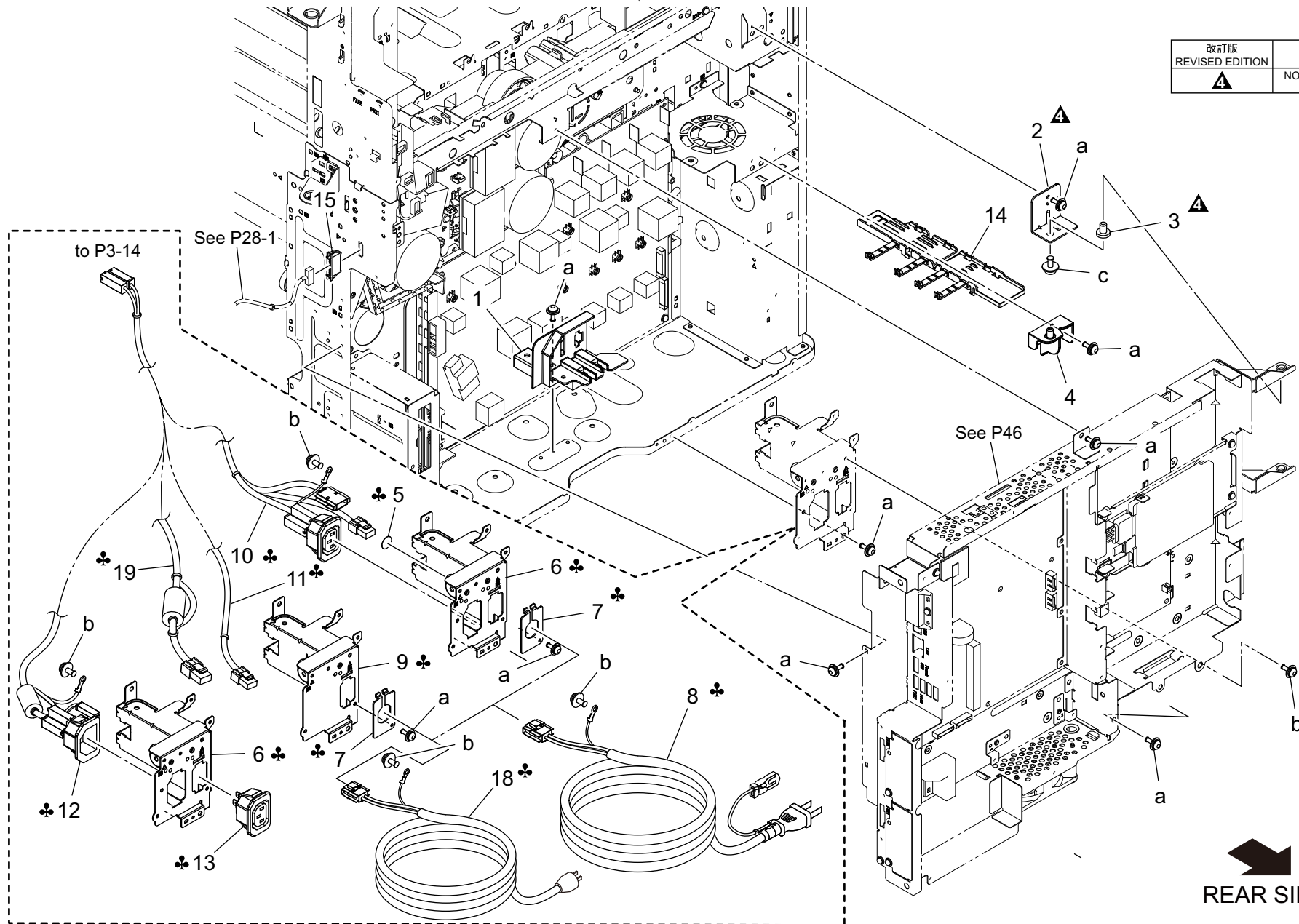
MAIN POWER SUPPLY SECTION

改訂版 REVISED EDITION	日付 DATE
▲	NOVEMBER 2016



ELECTRICAL COMPONENTS

改訂版 REVISED EDITION	日付 DATE
	NOVEMBER 2016

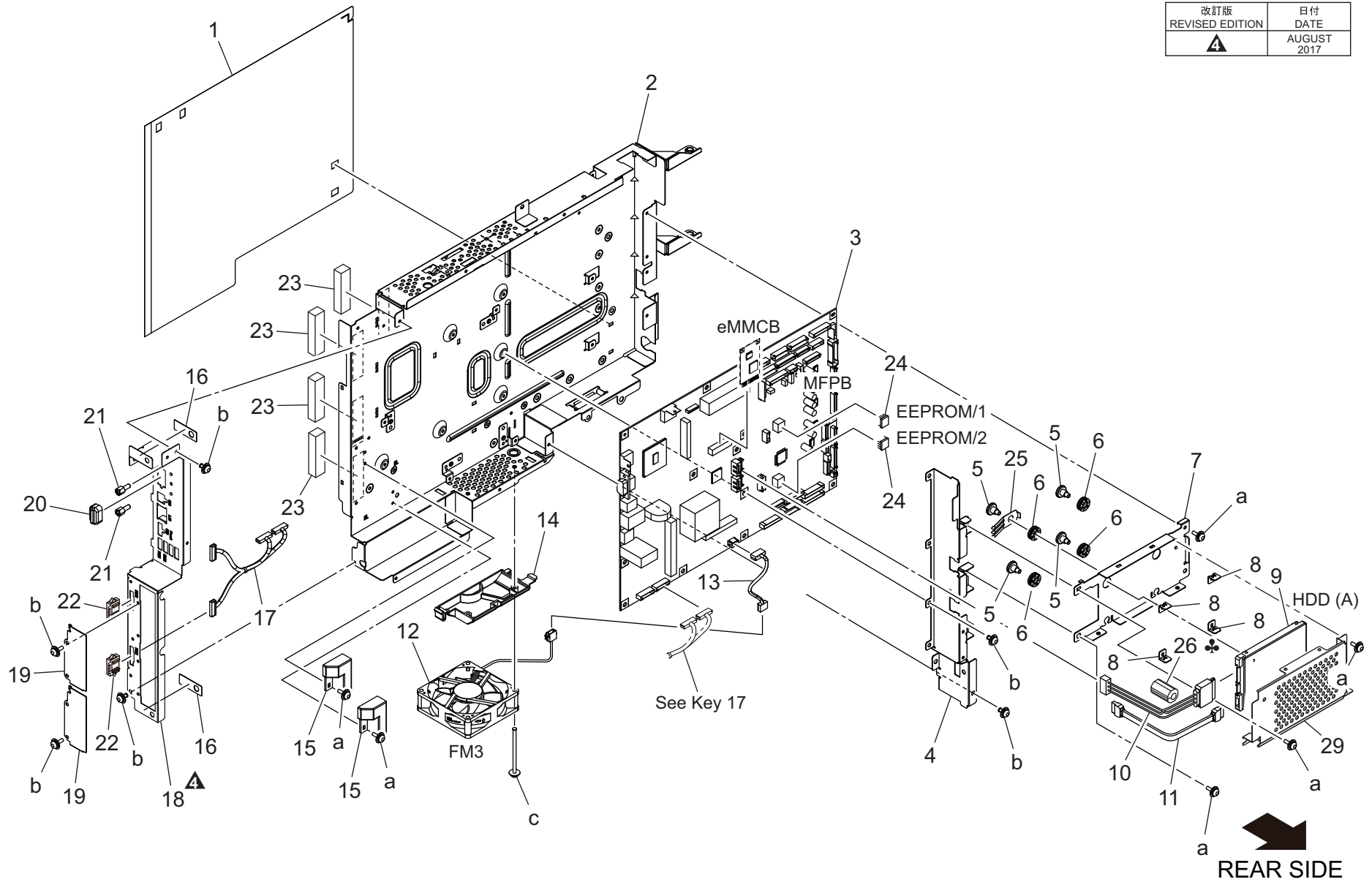



REAR SIDE

Key	Part No.	Description	Destinations	Class	QTY	Standard parts
1	A161131401	Holder		D	1	a-V116030803 b-V116040803 c-V116040603
2	A7PU130800Old	Support Shaft		D	1	
2	A7PU130811	Support Shaft		D	1	
3	A7PU133200Old	Shaft		D	1	
3	A7PU133211	Shaft		D	1	
4	A5C1130800	Support Shaft		C	1	
5	9J06730101	LABEL		D	1	
6	A161130502	Mounting Plate	取付板 (インレット/国・欧)	D	1	
7	A0ED135700	Mounting Plate	取付板 (電源コード)	D	1	
7	A0ED135700	Mounting Plate	取付板 (電源コード)	D	1	
8	A0EDN30002	Power source Cord /100V	電源コード/100V	D	1	
8	A5C1N30000	Power code /120V	電源コード/120V (北米/15A)	C	1	
9	A161130603	Mounting Plate	取付板 (インレット/北米)	D	1	
10	A161N10002	AC Wiring /100V	AC 束線/100V (ハロゲン)	D	1	
11	A161N10102	AC Wiring /120V	AC 束線/120V (ハロゲン)	D	1	
12	A5C1N10200	AC Wiring/230V	AC 束線/230V	D	1	
13	A02EN12513	Power supply Wiring	給電束線	D	1	
14	A5C1137800	Holder	ホルダ (FFC)	D	1	
15	V651010045	WtoW Connector	WtoW コネクタ	D	1	
18	A00JN30200	Power code	電源コード (台湾)	C	1	
19	A161N10300	AC Wiring /110V	AC 束線/110V (ハロゲン)	D	1	

ELECTRICAL COMPONENTS

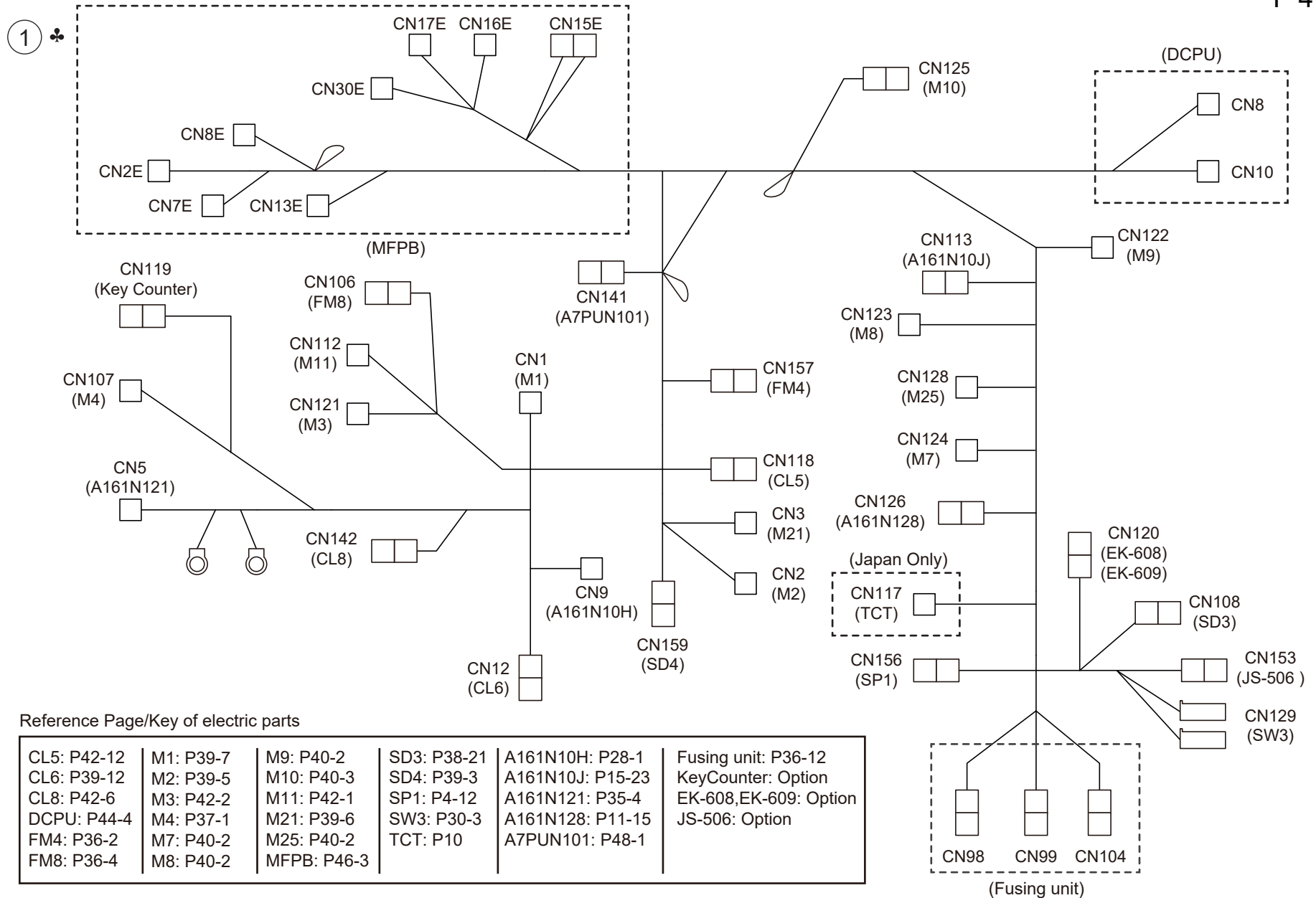
改訂版 REVISED EDITION	日付 DATE
	AUGUST 2017



ELECTRICAL COMPONENTS

Key	Part No.	Description	Destinations	Class	QTY	Standard parts
1	A7PU134500	Sheet		D	1	a-V116030803 b-V116030603 c-V116034003
2	A7PU131903	Mounting Plate		D	1	
3	A7PUH0211G	PWB Assembly (MFP)	C,I(South Africa)	I	1	
3	A7PUH0211G	PWB Assembly (MFP)	A,A1,B,D1,D3,E,F2,G 1,G2,H,I(Except S-A frica),J,K	I	1	
4	A7PU131101	Partition		D	1	
5	A5C1134200	Shoulder screw		C	4	
6	A4EU138000	Support Rubber		D	4	
7	A7PU130900Old	Mounting Plate		D	1	
7	A7PU134600	Mounting Plate		D	1	
8	A5C1134111	Spacer		D	4	
9	A5C1M72H00	HDD		I	1	
10	A7PUN15200Old	Power source Cable		C	1	
10	A161N15J00	Power source Cable	電源ケーブル (SATA CABLE)	C	1	
11	A7PUN15100Old	Interface Cable		C	1	
11	A0P0N15100	Cable	インターフェースケーブル ケーブル	C	1	
12	A0EDM10500	Fan motor		C	1	
13	A7PUN10800	Harness /Relay		D	1	
14	A7PU140100	Duct		D	1	
15	A7PU130400	Guide		D	2	
16	A7PU133100	Spacer		D	2	
17	A7PUN10700	Harness /Fax relay		D	1	
18	A7PU131603	Mounting Plate	中継束線 (FAX)	D	1	
19	A7PU139800	Cover	取付板	D	1	
20	V503010002	Connector Cover	カバー	D	2	
21	A161137900	Screw	コネクタカバー ねじ (D-SUB)	D	1	
22	V651010025	connector	W t o W コネクタ	C	2	
23	A7PUM92500	Gasket	ガスケット	C	4	
24	V864800107	EEPROM (2 pieces)	EEPROM (2個セット)	D	2	
25	A7PU139900Old	Ground Plate spring		D	1	
25	A7PU134800	Ground Plate spring	アース板ばね	D	1	
26	A61FM90200	Ferritecore	フェライトコア	D	1	
29	A7PU134700	Cover	カバー	D	1	

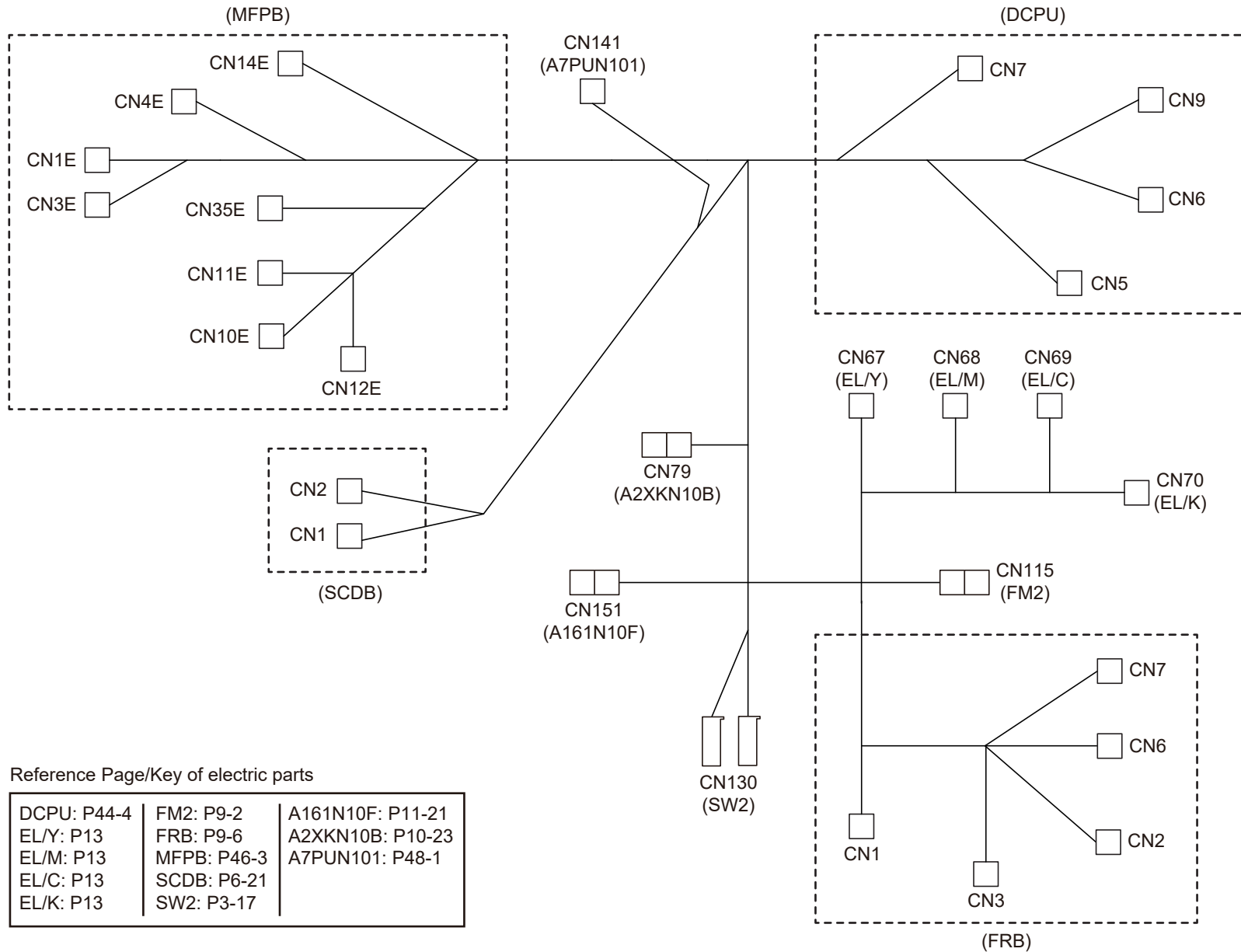
WIRING



WIRING

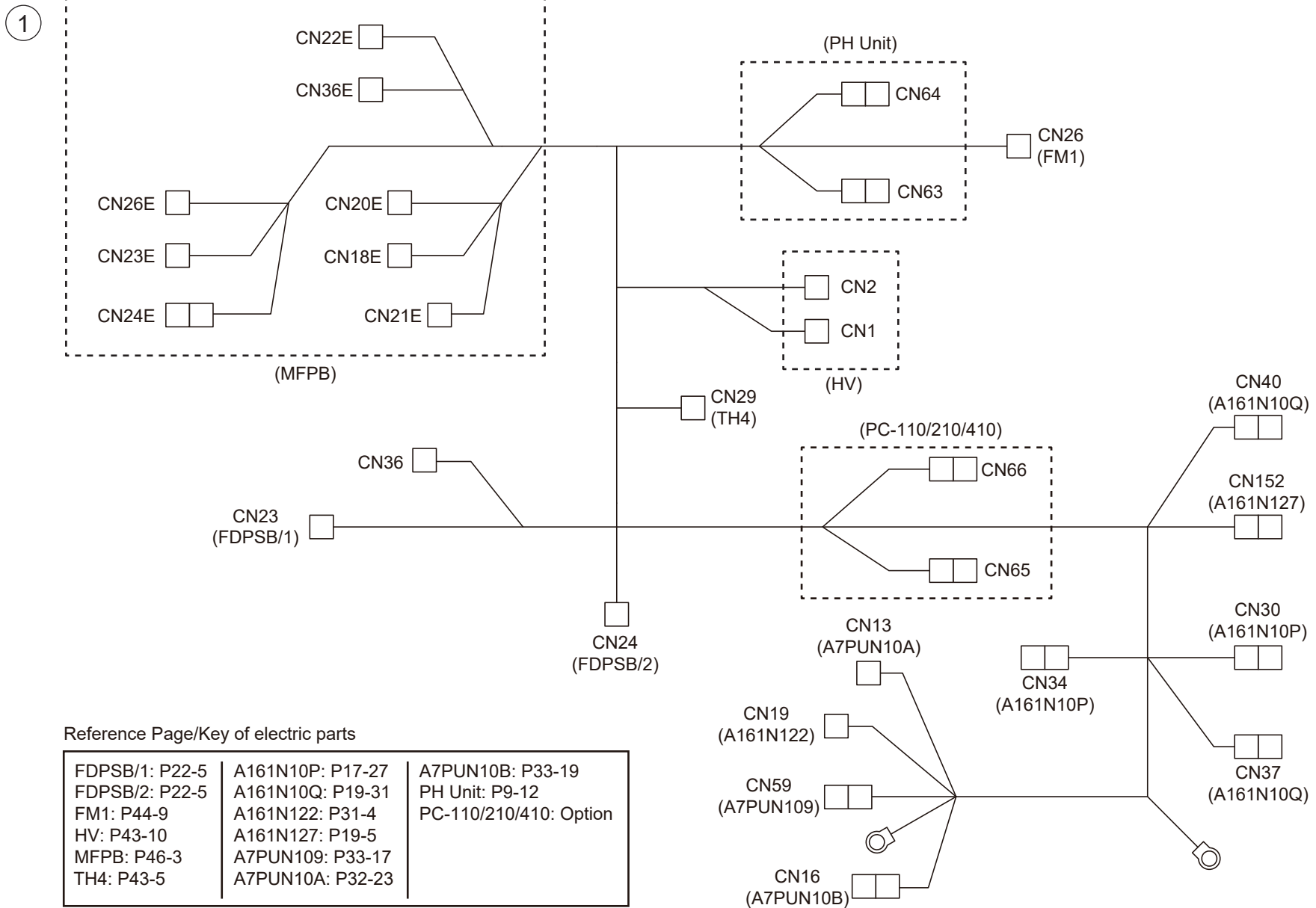
Key	Part No.	Description	Destinations	Class	QTY	Standard parts
1	A7PUN10001	Harness /Main body	A,A1	D	1	
1	A7PUN11001	Harness /Main body	B,C,D1,D3,E,F2,G1,G 2,I,K,J,H	D	1	

1



Reference Page/Key of electric parts

DCPU: P44-4	FM2: P9-2	A161N10F: P11-21
EL/Y: P13	FRB: P9-6	A2XKN10B: P10-23
EL/M: P13	MFPB: P46-3	A7PUN101: P48-1
EL/C: P13	SCDB: P6-21	
EL/K: P13	SW2: P3-17	



WIRING

Key	Part No.	Description	Destinations	Class	QTY	Standard parts
1	A7PUN10201	Harness /Main body 本体束線		D	1	

WIRING ACCESSORIES AND JIGS

<p>1</p> <p>White</p> <p>5.2 11.5</p>	<p>6</p> <p>White</p> <p>3.1 6.2</p>	<p>11</p> <p>8.5 11.2</p>	<p>16</p> <p>14.2 11.4</p>	21	26	31	36
<p>2</p> <p>7.2 11.5</p>	<p>7</p> <p>11.5 5.2</p>	<p>12</p> <p>24.6 28.0</p>	<p>17</p> <p>7.0</p>	22	27	32	37
<p>3</p> <p>15.2 18.5</p>	<p>8</p> <p>White</p> <p>5.3 11</p>	<p>13</p> <p>28 15.9</p>	<p>18</p> <p>12 6</p>	23	28	33	38
<p>4</p> <p>13.7 16</p>	<p>9 ♣</p> <p>10.7 19.8</p>	<p>14</p> <p>20.1 15.9</p>	<p>19</p> <p>31.8 18</p>	24	29	34	39
<p>5</p> <p>5.8 7.9</p>	<p>10</p> <p>33</p>	<p>15</p> <p>4.0</p>	20	25	30	35	40

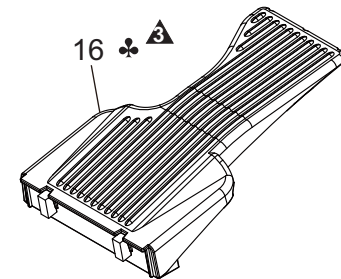
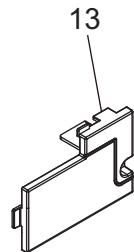
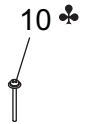
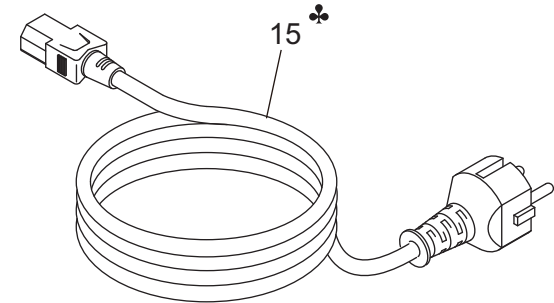
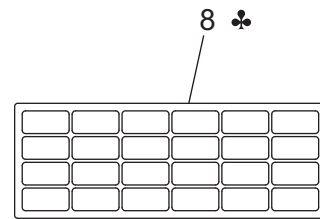
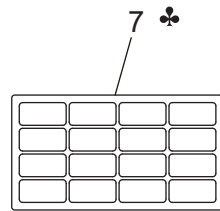
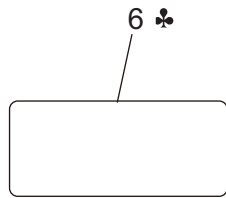
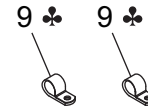
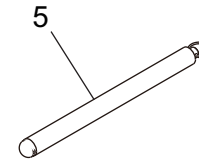
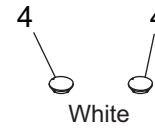
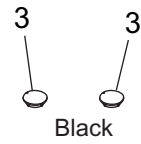
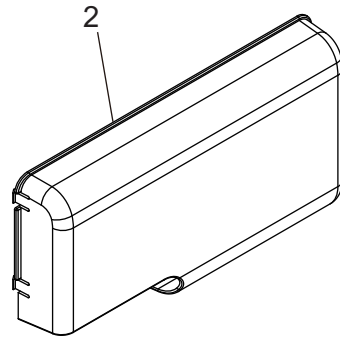
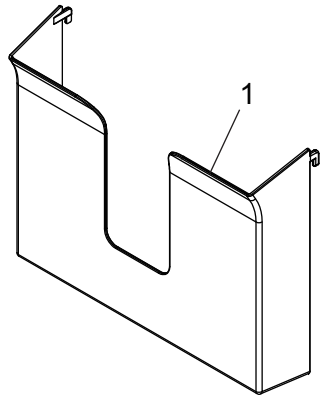
WIRING ACCESSORIES AND JIGS

Key	Part No.	Description	Destinations	Class	QTY	Standard parts
1	V500010081	Locking Wire Saddle		D		
2	V500010082	Locking Wire Saddle		D		
3	V500010083	Locking Wire Saddle		D		
4	V500010084	Locking Wire Saddle		D		
5	V500020098	Mini Locking wire saddle		D		
6	V500020099	Mini Locking wire saddle		D		
7	V500010052	SADDLE		D		
8	V500020100	Mini Locking wire saddle		D		
9	V500020052	bushing	A,A1,B,G2,H	D	1	
10	V500020082	Clamping for FFC		D		
11	V570010021	Saddle		D		
12	V570010057	Wing Edge Saddle		D		
13	V570010059	Wing Edge Saddle		D		
14	V570010060	Wing Edge Saddle		D		
15	V500020069	Clamp		D		
16	V570010050	Locking Edge Saddle		D		
17	V500020110	FG Clamp		D		
18	V500020101	Reuse spacing clamp		V		
19	V500010085	Locking Wire Saddle		D		

ACCESSORY PARTS

P 51

改訂版 REVISED EDITION	日付 DATE
	SEPTEMBER 2017



Key	Part No.	Description	Destinations	Class	QTY	Standard parts
1	A7PU169900	Holder		C	1	
2	A7PU168201	Duct		D	1	
3	A00J169100	Cover		D	2	
4	A02E167700	Cover		C	2	
5	A5C1192100	Pen		C	1	
6	A1UD947400	Label		C	1	
7	A161943400	Label Paper Size/Inch	A,A1	C	1	
8	A161943301	Label Paper Size/Metric	B,G2	C	1	
9	V500020040	clamp	A,A1,C,D1,D3,E,F2,G 1,I,K,J,H	D	2	
10	V116033003	Screw	C,D1,D3,E,F2,G1,I,K J	V	1	
11	V153030803	Screw	C,D1,D3,E,F2,G1,I,K J,H	V	1	
12	V116030804	Screw		V	1	
13	A7PU166101	Cover		C	1	
14	A7PU947001	Label Panel sheet	A,A1	C	1	
14	A7PU947101	Label Panel sheet	B,D1,D3,E,F2,G1,G2, I (Except South Afr ica),K	C	1	
14	A7PU947201	Label Panel sheet	J	C	1	
14	A7PU947302	Label Panel sheet	H	C	1	
15	4136N30000	POWER CODE	K,D1(Pakistan,Maldi ves,Nepal),G1(South America)	D	1	
15	9381430031	POWER CORD	J	D	1	
15	9381420021	POWER CORD	D3(New Zealand)	D	1	
15	A2UPN30300	Power code (220-240V)	G1(Peru)	D	1	
15	A2UPN30601	Power code (220-240V)	G1(Brazil)	D	1	
15	A1UDN30200	Power cord /230V	G1(Argentina)	C	1	
15	A7AHN30000	Power code /230V	D1(India)	D	1	
15	A797N30000	Power code /230V	I(Israel)	D	1	
15	A2UPN30100	Power code (220-240V)	F2,I(UAE,Bahrain,Qa tar,Oman,Yemen,Kuwa it)	D	1	
16	A7PU169700	Tray	(Refresh Model)C,I	D	1	

MAINTENANCE LIST

● The items with no Page/Key numbers are not handled as spare parts.

No.	Section	PM Parts Description	Maintenance Cycle (K=1,000)		Parts No.	Destinations	Page/Key	Note
			QTY	Replace				
1	Paper feed section	Tray 1 pick-up roller	1	300k	A5C1562200		P17-30	*2, *4
2		Tray 1 feed roller	1	300k	A00J563600		P17-14	*2, *4
3		Tray 1 separation roller	1	300k	A00J563600		P18-6	*2, *4
4		Tray 2 pick-up roller	1	300k	A5C1562200		P19-34	*2, *4
5		Tray 2 feed roller	1	300k	A00J563600		P19-18	*2, *4
6		Tray 2 separation roller	1	300k	A00J563600		P20-6	*2, *4
7		Manual bypass tray feed roller	1	200k	A00F623201		P31-10	*2, *4
8		Manual bypass tray separation roller assy	1	200k	4658015106		P32-26	*2, *4
9	Processing section	Toner cartridge/Y,M,C *1	1	26k	-			
10		Toner cartridge/K *1	1	28k	-			
11		Drum unit/Y,M,C *1	1	90k	-			*3
12		Drum unit/K *1	1	120k	-			*3
13		Developing unit/Y,M,C,K	1	600k	-			*3
14		Waste toner box *1	1	40k	A4NN0Y1	A,A1,B	P12-9	*5
15			1	40k	A4NNWY3	C,D1,D3,E,F2,G1,G2,I	P12-9	*5
16	Image transfer section	Transfer belt unit	1	300k	A161R73300		P15-36	*3
17		Transfer roller unit	1	300k	A161R71422		P28-23	*3, *4
18	Fusing section	Fusing unit 100V	1	600k	A161R71788	A,A1	P36-12	*3
19		Fusing unit 120V	1	600k	A161R71888	B,G2	P36-12	*3
20		Fusing unit 230V	1	600k	A161R71999	C,D1,D3,E,F2,G1,I,K	P36-12	*3

*1: The parts can be replaced either by user or service engineer.

*2: Actual durable cycle (life counter value)

*3: Field standard yield

*4: Replace those three parts at the same time.

*5: A waste toner full condition is detected with detecting the actual waste toner emissions.

メンテナンスリスト

● ページ / キーナンバーのないものは、アフターサービス部品ではありません。

No.	区分	PM 部品名称	サイクル (K=1,000)		部品番号	仕向地	頁 / キー	備考
			員数	交換				
1	給紙部	トレイ1ピックアップローラー	1	300k	A5C1562200		P17-30	*2, *4
2		トレイ1給紙ローラー	1	300k	A00J563600		P17-14	*2, *4
3		トレイ1分離ローラー	1	300k	A00J563600		P18-6	*2, *4
4		トレイ2ピックアップローラー	1	300k	A5C1562200		P19-34	*2, *4
5		トレイ2給紙ローラー	1	300k	A00J563600		P19-18	*2, *4
6		トレイ2分離ローラー	1	300k	A00J563600		P20-6	*2, *4
7		手差しトレイ給紙ローラー	1	200k	A00F623201		P31-10	*2, *4
8		手差しトレイ分離ローラー Assy	1	200k	4658015106		P32-26	*2, *4
9	プロセス部	トナーカートリッジ /Y,M,C *1	1	26k	-			
10		トナーカートリッジ /K *1	1	28k	-			
11		ドラムユニット /Y,M,C *1	1	90k	-			*3
12		ドラムユニット /K *1	1	120k	-			*3
13		現像ユニット /Y,M,C,K	1	600k	-			*3
14		廃棄トナーボックス *1	1	40k	A4NN0Y1	A,A1,B	P12-9	*5
15			1	40k	A4NNWY3	C,D1,D3,E,F2,G1,G2,I,K,J	P12-9	*5
16	転写部	転写ベルトユニット	1	300k	A161R73300		P15-36	*3
17		転写ローラーユニット	1	300k	A161R71422		P28-23	*3, *4
18	定着部	定着ユニット 1 0 0 V	1	600k	A161R71788	A,A1	P36-12	*3
19		定着ユニット 1 2 0 V	1	600k	A161R71888	B,G2	P36-12	*3
20		定着ユニット 2 3 0 V	1	600k	A161R71999	C,D1,D3,E,F2,G1,I,K	P36-12	*3

*1: ユーザー / サービス交換の選択が可能。

*2: ライフカウンター値

*3: 市場標準印刷枚数値

*4: 同時交換のこと

*5: 廃棄トナーフル検知は、実際の廃棄トナー充填量を検知して行う。

DESTINATION

Destination No.		Destinations		V	Hz	Model No.
A	A1	JAPAN		100	50/60	A7PU001/007
	A2	JAPAN				
B		USA, CANADA		120	60	A7PU011/012/017
C		EUROPEAN TYPE		220-240	50/60	A7PU021/02A/027
D	D1	S.E ASIA TYPE	THAILAND, SRI LANKA, SINGAPORE, MALAYSIA, HONG KONG, PAKISTAN, INDIA, BANGLADESH, INDONESIA	220-240	50/60	A7PU041/04A/047
	D3	OCEANIA TYPE	AUSTRALIA, NEW ZEALAND	220-240	50/60	A7PU041/04A/047
E		PHILIPPINES		220-240	50/60	A7PU041/04A/047
F	F1	SAUDI ARABIA				
	F2	SAUDI ARABIA		220-240	50/60	A7PU041/04A/047
G	G1	C.S AMERICA		220-240	50/60	A7PU041/04A/047
	G2	C.S AMERICA		120	60	A7PU011/017
H		TAIWAN		110	60	A7PU071/077
I		JORDAN, LEBANON, SYRIA, SOUTH AFRICA, IRAQ, IRAN, N.YEMEN, CAMEROON, UAE, BAHRAIN, OMAN, QATAR, KUWAIT, KENYA, TUNISIA, IVORY COAST, MOROCCO		220-240	50/60	A7PU021/041/02A/04A/027/047

Destination No.	Destinations	V	Hz	Model No.
J	CHINA	220-240	50/60	A7PU081/ 087
K	KOREA	220-240	50/60	A7PU041/ 091/04A/ 047/097