

KONICA MINOLTA

PARTS GUIDE MANUAL

DECEMBER 2016

bizhub C3851FS
A92G

INFORMATION FOR PARTS GUIDE MANUAL

To find correct Parts No., refer to the "HOW TO MAKE THE BEST USE OF THIS MANUAL" in the following page.

HOW TO MAKE THE BEST USE OF THIS MANUAL

- 1 When you order, please check the proper figures beforehand that are on Our Parts Guide Manual, and order with the appropriate figures.
- 2 For screws, Nuts, Washers, retaining rings and Pins which are used in this model, one letter is shown on the Standard parts column of Parts list and exploded diagrams.
- 3 In order to maintain safety of the product, some specific parts composed of this product are set up as "essential safety parts".
- 4 The assigned parts number for the "essential safety parts" is indicated as "SP00-****".
When replacing these parts, follow precautions for disassembling and installing which are listed in the Service Manual.
Do not use any parts that are not set up as
- 5 ♣ means that there are exclusive parts for each destination.
Please check the appropriate destination when you order.
- 6 Revision Mark
Marked as ▲ on the illustration shows that the revision has been made.
- 7 All rights reserved. (any reprints or quotations are prohibited.)
Use of this parts guide manual should be strictly supervised to avoid disclosure of confidential information.

パーツガイドマニュアルのご案内

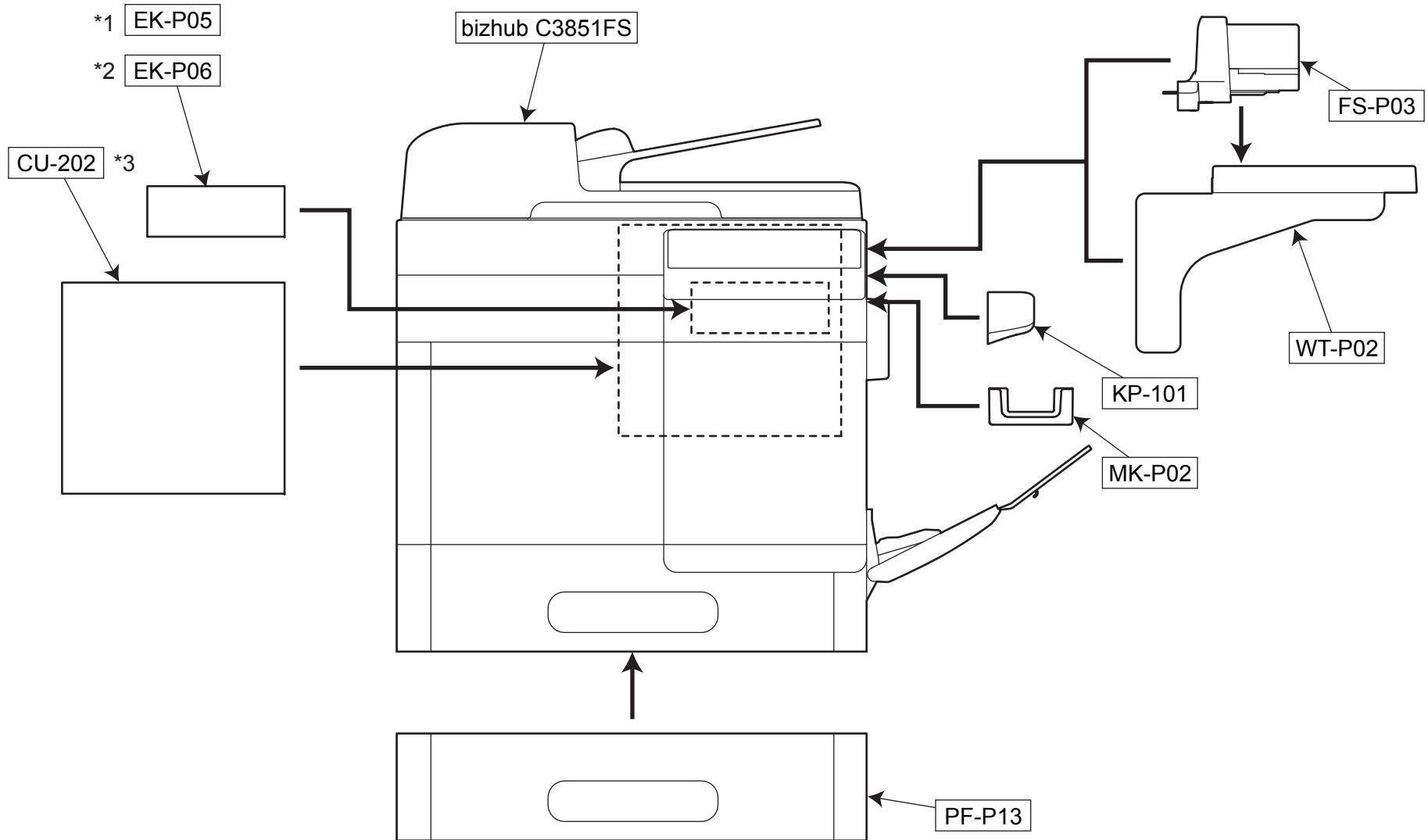
サービス部品をご発注の際には、下記に示す“パーツガイドマニュアルの活用にあたって”をご参照の上、正しい部品番号にてお願い致します。

パーツガイドマニュアルの活用にあたって

- 1 部品発注の際には、掲載されている部品番号の桁数を確認し、掲載されている桁数で発注願います。
- 2 この製品に使用されているネジ、ナット、ワッシャー、止め輪、ピンなどは、リストの右側の Standard parts 欄に a,b,c,……で表示し、イラストにも a,b,c,……表示してあります。
- 3 製品の安全性を維持する為に、製品に使用される特定の部品を「重要保安部品」として設定しています。
- 4 重要保安部品の部品番号は、“SP00-****”と記載されていますので、部品交換時は、サービスマニュアル記載の分解・組み立ての注意事項に従って作業をして下さい。
また、指定以外の部品は一切使用しないで下さい。
- 5 本文に ♣ が表示されている部品は、仕向け地毎に専用部品がある事を意味しています。
オーダーされる時は、仕向け地を確認して下さい。
- 6 改訂記号について
イラスト上に▲印が表示されている部分は、改訂された事を表します。
- 7 著作権所有（無断転載及び無断引用の禁止）
本パーツガイドマニュアルについては、機密保持等その扱いには十分注意して下さい。万一取り扱いを誤った場合には、法律で処罰されることがあります。

System Configuration

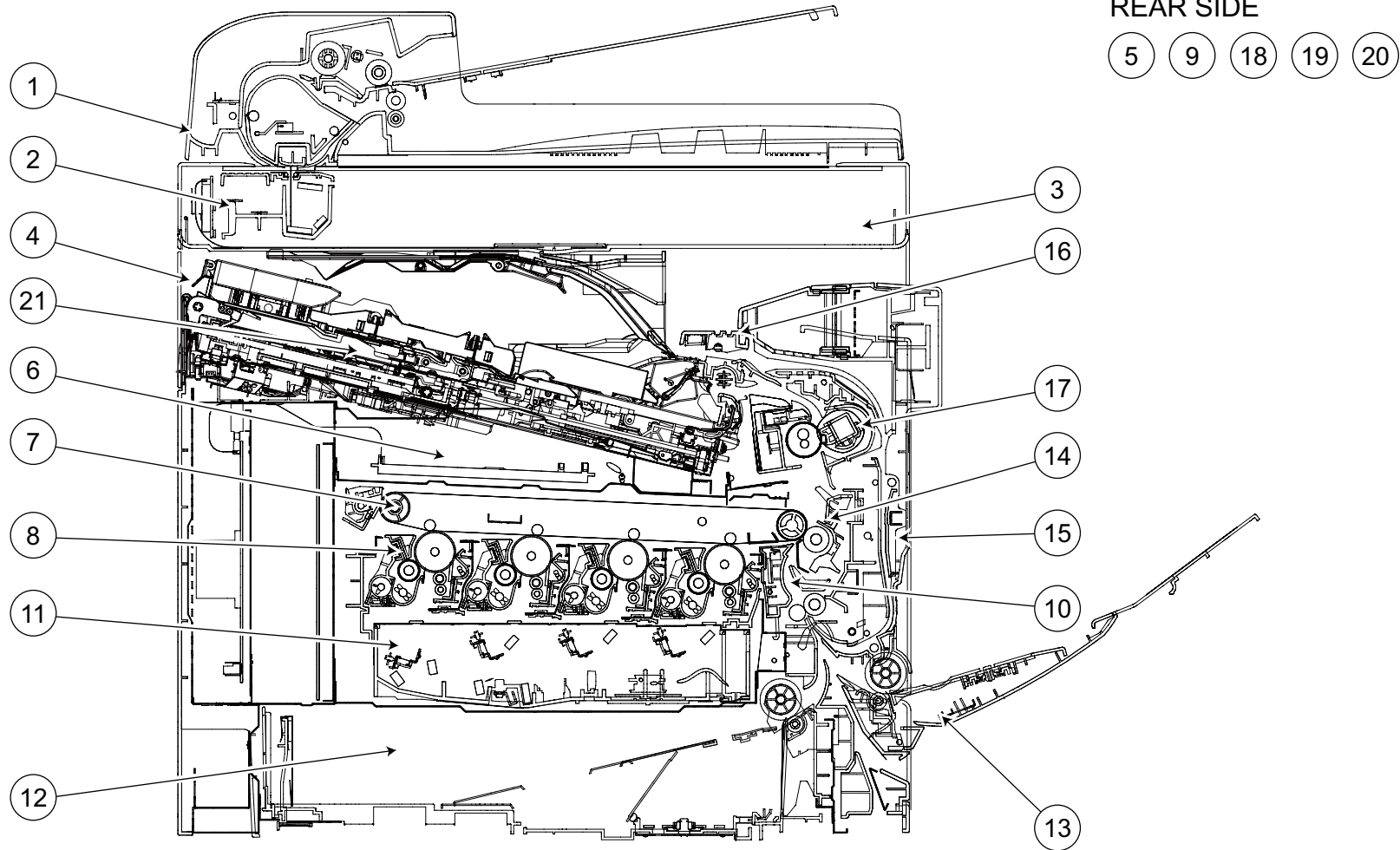
- *1: Non Bluetooth Type
- *2: Bluetooth Type
- *3: Model No. A92G021 only



GENERAL CONTENTS

No.	Description	Model
1	Printer Color	bizhub C3851FS
2	Finisher/Sorter	FS-P03
3	Other Option	WT-P02
4	Other Option	KP-101
5	Mount Kit	MK-P02
6	Paper Feeder	PF-P13
7	Other Option	CU-202
8	Other Option	EK-P05
9	Other Option	EK-P06

Section Configuration



CONTENTS

No.	DESCRIPTION	名称	PAGE No.
1	Auto document feeder section	自動原稿送り部	P1
2	Scanner section	光学部	P2
3	Control panel section	操作パネル部	P3
4	External Parts section	外装部	P4 P5
5	Toner suction section	トナー吸引部	P6
6	Toner bottle drive section	トナーボトル駆動部	P7
7	Transfer belt section	転写ベルト部	P8
8	Erase LED section	イレーサーLED部	P9
9	Cooling fan section	冷却ファン部	P10
10	Transfer guide section	転写ガイド部	P11
11	Write/ Toner collection section	書き込み/トナー回収部	P12
12	Paper feed section (Tray 1)	給紙部 (トレイ1)	P13 P14
13	Paper feed section (Manual tray)	給紙部 (手差しトレイ)	P15 P16
14	Transfer section (2nd transfer)	転写部 (2次転写)	P17
15	Duplex section	両面部	P18
16	Duplex reverse drive section	DUP 反転駆動部	P19
17	Fusing/ Paper exit section	定着/排紙部	P20
18	Main drive section	メイン駆動部	P21
19	Paper feed drive section	給紙駆動部	P22
20	Electrical components	電装部	P23 P24
21	Finisher section	フィニッシャー部	P25 P26 P27 P28 P29 P30 P31 P32
22	Wiring section	束線部	P33 P34 P35 P36 P37
23	Wiring accessories and Jigs	配線部品・治具	P38
24	Accessory parts	同梱部品	P39

INDEX

Parts No.	Page No.
000V-18-1	38-15
0978381101	13-2
0996305501	12-2
0996305501	23-20
1033440203	25-5
1033440203	27-28
1154467001	23-14
4002504202	5-3
4030303401	13-10
4036254901	23-16
4036301401	21-8
4036301401	22-6
4036473001	22-5
4036576501	13-30
4038541101	7-7
4120301901	16-15
4131300301	15-3
4131302702	16-13
4131305601	13-40
4131305601	15-32
4131305702	13-39
4131412801	7-10
4134588202	22-21
4134588202	28-30
4138259701	22-17
4138303202	13-11
4138303202	15-11
4138324401	13-7
4138325501	16-14
4138352802	18-9
4138353202	18-10
4139M10000	6-19
4139M10000	10-29
4139M10000	10-31
4139M10000	17-35
4139M10000	19-1
4139M10000	23-2
4163529301	13-34
4163529301	17-34
4163529301	23-1

Parts No.	Page No.
4628680101	39-10
4658301201	14-13
56AA40490	13-8
56AA40490	15-10
56UA85010	27-8
65AA-9920	38-17
9335140051	12-18
9335140071	28-7
9335140071	30-11
9J06M60100	6-9
9J06PJP100	38-18
9J08P00100	27-24
A00F213900	21-5
A00F813000	19-7
A00F813100	19-8
A00J192900	13-15
A00J617800	28-35
A00J945500	4-8
A011946200	3-28
A011M20000	18-15
A02E193000	21-34
A02E240600	7-6
A02E940300	14-38
A02EM20000	22-20
A034213400	11-18
A034M20000	11-11
A034M20000	21-32
A034M60200	23-21
A0ED162401	4-12
A0EDM60001	7-16
A0EDN30101	39-13
A0H0911500	28-27
A0HF952400	2-2
A0HR213600	32-15
A0P0364000	20-11
A0P0M50400	11-7
A0P0M73100	23-41
A0VD114101	8-7
A0VD133300	21-16
A0VD135201	6-6

Parts No.	Page No.
A0VD136100	6-12
A0VD136800	8-5
A0VD161100	17-7
A0VD162101	17-3
A0VD162400	17-10
A0VD163200	17-11
A0VD163400	17-4
A0VD163500	17-8
A0VD164000	17-1
A0VD214700	8-15
A0VD218301	21-7
A0VD219800	21-12
A0VD220300	21-26
A0VD230101	22-22
A0VD230301	22-10
A0VD230400	22-4
A0VD230501	22-19
A0VD230800	22-8
A0VD230901	22-12
A0VD231101	22-7
A0VD231200	22-11
A0VD233102	22-3
A0VD233301	22-13
A0VD235301	18-8
A0VD235400	12-6
A0VD235500	12-7
A0VD235600	12-5
A0VD235700	12-16
A0VD235900	12-8
A0VD362300	8-11
A0VD362400	8-19
A0VD362500	8-20
A0VD362702	12-15
A0VD363700	8-10
A0VD560300	15-35
A0VD560601	15-28
A0VD561301	15-2
A0VD561502	15-25
A0VD561800	15-31
A0VD624100	22-15

Parts No.	Page No.
A0VD624800	13-9
A0VD624800	15-23
A0VD700202	17-22
A0VD700302	17-21
A0VD701301	17-19
A0VD702400	18-19
A0VD702400	22-9
A0VD702501	18-6
A0VD702700	17-18
A0VD703001	18-14
A0VD703501	18-18
A0VD703700	17-17
A0VD703700	18-13
A0VD705303	18-17
A0VD707201	11-6
A0VD820200	19-18
A0VD820300	19-22
A0VD820700	19-15
A0VD821100	19-25
A0VD822300	19-27
A0VD822400	19-11
A0VD822500	19-28
A0VD822600	19-4
A0VD822700	19-6
A0VD822800	19-5
A0VD823300	19-29
A0VD890800	20-25
A0VD892400	20-14
A0VD949100	20-3
A0VDN30000	39-4
A0WG337701	25-6
A108M50000	26-15
A121893002	20-6
A121902500	20-5
A121PP0200	1-3
A121PP0500	1-12
A121PP0600	1-11
A121PP0700	1-8
A121PP0800	1-19
A121PP0900	1-17

Parts No.	Page No.
A121PP0A00	1-18
A121PP0B00	1-14
A121PP0C00	1-21
A121PP0D00	1-10
A121PP0G00	1-16
A121PP0H00	1-15
A121PP0J00	1-6
A121PP0N02	2-4
A121PP0Q00	2-5
A121PP0R00	1-23
A121PP1000	1-22
A161940602	2-1
A161943000	14-7
A161M50300	11-20
A1RF846400	26-21
A2X0949100	7-13
A2X0M72C00	23-24
A2YFM20000	18-3
A2YFM20000	19-26
A3EP560100	27-17
A3EWM90300	23-19
A3GN102200	12-19
A3GN102300	12-17
A3GN102500	12-3
A3GN106700	12-12
A3GN107100	12-13
A3GN109300	5-7
A3GN110001	8-16
A3GN110102	8-17
A3GN110401	8-6
A3GN110501	8-14
A3GN110600	8-9
A3GN110700	8-12
A3GN110800	8-13
A3GN110900	8-1
A3GN111001	9-5
A3GN111101	9-11
A3GN111200	9-7
A3GN111300	9-6
A3GN111400	9-13

Parts No.	Page No.	Parts No.	Page No.	Parts No.	Page No.	Parts No.	Page No.	Parts No.	Page No.
A3GN111500	11-15	A3GN140800	10-22	A3GN161800	3-21	A3GN621701	23-33	A3GN940401	39-11
A3GN111800	8-8	A3GN141100	10-20	A3GN162000	5-9	A3GN623100	13-38	A3GN940500	14-16
A3GN112300	11-13	A3GN141201	10-9	A3GN162500	4-2	A3GN628100	14-19	A3GN940500	16-6
A3GN112400	9-8	A3GN141300	10-21	A3GN162600	4-11	A3GN628201	14-17	A3GN948300	20-4
A3GN112800	9-3	A3GN144100	6-13	A3GN162701	5-2	A3GN700100	17-26	A3GNH00500	3-10
A3GN112900	9-1	A3GN144200	10-1	A3GN162900	4-3	A3GN700500	17-23	A3GNM30400	9-12
A3GN113000	9-4	A3GN144500	6-14	A3GN163000	4-4	A3GN700700	17-39	A3GNM30400	11-14
A3GN113100	9-10	A3GN145100	10-11	A3GN190101	3-16	A3GN700800	17-40	A3GNM40000	24-7
A3GN113200	9-9	A3GN145200	10-12	A3GN190511	3-24	A3GN701100	17-24	A3GNM40102	24-7
A3GN113300	8-18	A3GN145300	10-18	A3GN190600	3-18	A3GN701800	17-20	A3GNM71C00	3-3
A3GN130000	24-1	A3GN145400	10-15	A3GN190801	3-19	A3GN702100	18-12	A3GNM71C00	23-8
A3GN130601	21-14	A3GN145600	10-13	A3GN191300	3-20	A3GN702300	18-7	A3GNM93100	23-3
A3GN130700	21-13	A3GN145700	6-15	A3GN191500	3-27	A3GN702811	17-13	A3GNM93200	23-4
A3GN130900	21-18	A3GN145800	23-5	A3GN210800	21-1	A3GN702900	18-11	A3GNN10300	33-1
A3GN131000	21-19	A3GN146300	20-15	A3GN213300	21-27	A3GN703400	18-16	A3GNN10400	19-31
A3GN131100	21-21	A3GN146400	6-11	A3GN217000	22-2	A3GN706100	11-17	A3GNN10D00	6-10
A3GN131200	21-15	A3GN147000	10-33	A3GN220200	21-4	A3GN706500	11-16	A3GNN10U00	7-22
A3GN131400	21-20	A3GN147100	39-3	A3GN223000	21-3	A3GN706600	11-12	A3GNR70800	18-2
A3GN131600	21-25	A3GN147201	10-28	A3GN223302	21-6	A3GN707600	11-2	A4EU138000	23-30
A3GN131700	21-23	A3GN147600	10-32	A3GN223400	21-9	A3GN707700	11-1	A4Y5W12	20-7
A3GN131800	21-24	A3GN147801	39-2	A3GN235113	12-11	A3GN708000	11-10	A4Y5W22	20-7
A3GN131900	21-22	A3GN148001	10-7	A3GN235200	12-9	A3GN708000	21-33	A4Y5WY1	12-10
A3GN132900	23-35	A3GN148100	10-6	A3GN362601	12-14	A3GN708101	17-25	A4Y5WY3	17-27
A3GN133600	5-10	A3GN148200	10-3	A3GN400002	7-12	A3GN812200	18-28	A4Y5WY4	8-4
A3GN134001	21-31	A3GN148300	10-8	A3GN400100	7-2	A3GN812300	4-7	A5AWP00100	38-16
A3GN135100	6-8	A3GN148500	10-23	A3GN400200	7-5	A3GN812300	18-27	A5C1134111	23-25
A3GN135200	6-7	A3GN148700	10-5	A3GN400300	7-4	A3GN812400	17-2	A5C1134200	23-31
A3GN135300	6-5	A3GN148800	10-25	A3GN400400	7-3	A3GN813700	18-1	A5C1M10400	7-1
A3GN135400	3-14	A3GN148900	10-26	A3GN400800	7-8	A3GN817000	19-2	A5C1M50100	3-13
A3GN135500	3-15	A3GN149000	10-30	A3GN400900	7-14	A3GN820100	19-24	A5C1M50100	6-4
A3GN135600	21-28	A3GN149100	10-16	A3GN401000	7-15	A3GN822100	19-12	A5C1M50100	8-2
A3GN135700	21-29	A3GN149200	10-17	A3GN401100	7-9	A3GN822200	19-3	A5C1M50100	11-5
A3GN136000	21-17	A3GN149300	10-24	A3GN401300	7-21	A3GN822901	19-10	A5C1M50100	15-38
A3GN136100	24-6	A3GN149500	10-27	A3GN401400	7-20	A3GN823500	19-9	A5C1M50100	17-12
A3GN136200	24-8	A3GN149600	10-4	A3GN401500	7-19	A3GN825100	19-16	A5C1M50100	18-5
A3GN137100	7-23	A3GN160104	4-10	A3GN401600	7-18	A3GN892102	20-9	A5C1M50100	20-12
A3GN140100	10-10	A3GN160200	4-9	A3GN621200	14-30	A3GN893500	20-34	A5C1M50100	22-14
A3GN140300	10-19	A3GN160801	4-6	A3GN621300	14-32	A3GN893600	20-17	A5C1M50100	26-25
A3GN140600	10-2	A3GN160900	5-5	A3GN621600	12-4	A3GN893700	20-10	A5C1M50100	28-28
A3GN140700	10-14	A3GN161701	3-4	A3GN621701	5-6	A3GN940201	14-18	A5C1M50100	29-24

Parts No.	Page No.	Parts No.	Page No.	Parts No.	Page No.	Parts No.	Page No.	Parts No.	Page No.
A5C1M50100	30-20	A63D704300	30-4	A63D722300	31-15	A63D727800	29-11	A63D737400	29-23
A5C1M50100	32-24	A63D704400	25-11	A63D722400	31-9	A63D727900	29-8	A63D737601	28-40
A5C1M92100	6-18	A63D704400	26-2	A63D722500	31-11	A63D728100	31-10	A63D737700	28-12
A5C1M92100	24-20	A63D704400	27-23	A63D722700	32-38	A63D728200	30-19	A63D737900	28-36
A61DM10200	21-2	A63D704400	29-1	A63D722800	30-15	A63D730013	29-2	A63D738000	28-31
A61DM10400	21-35	A63D704400	30-16	A63D722900	30-17	A63D730103	29-3	A63D738100	28-32
A63D111200	31-17	A63D704500	27-2	A63D723000	32-2	A63D730402	29-15	A63D738200	28-37
A63D111600	30-21	A63D704500	28-13	A63D723100	32-13	A63D730500	29-21	A63D738300	28-38
A63D111700	32-23	A63D704500	29-4	A63D723201	32-3	A63D730600	29-29	A63D738800	28-16
A63D111800	30-24	A63D704500	30-6	A63D723300	32-8	A63D730700	28-6	A63D738900	28-23
A63D111900	30-25	A63D704602	25-4	A63D723400	32-7	A63D730800	28-3	A63D739000	28-24
A63D130200	32-26	A63D704700	25-9	A63D723600	31-18	A63D731101	28-2	A63D739100	28-18
A63D131001	32-33	A63D705100	29-35	A63D723600	32-12	A63D731400	28-26	A63D739200	28-19
A63D170002	27-9	A63D705600	30-5	A63D723700	32-14	A63D731501	28-33	A63D739300	28-43
A63D170501	27-7	A63D705700	25-7	A63D723900	31-8	A63D732101	28-9	A63D739400	29-18
A63D171001	27-12	A63D705800	25-10	A63D724000	29-6	A63D732201	28-14	A63D740000	27-19
A63D171100	27-11	A63D705900	25-3	A63D724301	32-20	A63D732600	28-29	A63D740200	27-16
A63D171200	27-10	A63D720000	30-18	A63D724400	32-19	A63D732700	28-4	A63D740900	27-13
A63D171500	27-25	A63D720100	30-7	A63D724500	31-27	A63D732900	28-5	A63D741100	27-20
A63D171600	27-26	A63D720200	31-20	A63D724500	32-9	A63D733100	28-42	A63D741401	27-14
A63D171700	27-4	A63D720301	31-33	A63D725000	31-7	A63D733201	28-20	A63D741601	27-3
A63D171700	30-26	A63D720401	31-30	A63D725100	32-1	A63D733400	28-10	A63D741700	27-15
A63D700400	25-1	A63D720500	31-29	A63D725200	31-4	A63D733900	28-21	A63D742000	27-6
A63D700600	29-37	A63D720600	31-5	A63D725300	31-25	A63D734000	28-17	A63D742101	27-21
A63D700700	29-33	A63D720700	31-31	A63D725500	28-1	A63D734100	28-25	A63D742200	27-1
A63D701000	30-10	A63D720800	31-32	A63D725500	31-23	A63D734300	29-16	A63D742300	27-22
A63D701301	29-28	A63D720900	31-19	A63D725500	32-22	A63D734402	28-41	A63D742400	27-27
A63D701400	29-36	A63D721001	30-22	A63D725900	32-10	A63D734800	29-20	A63D890101	26-23
A63D701600	30-2	A63D721100	31-21	A63D726000	31-2	A63D734900	29-14	A63D891100	26-14
A63D701701	30-1	A63D721200	32-16	A63D726100	32-21	A63D735000	29-19	A63D891200	26-6
A63D701800	30-12	A63D721400	31-22	A63D726200	29-7	A63D735100	29-13	A63D891300	26-9
A63D701900	30-3	A63D721400	32-5	A63D726500	32-17	A63D735301	29-26	A63D891700	26-13
A63D702200	29-32	A63D721500	31-3	A63D726801	32-4	A63D735401	29-27	A63D892000	26-3
A63D702600	29-30	A63D721600	31-26	A63D727100	31-28	A63D735500	29-25	A63D892100	26-10
A63D702700	29-34	A63D721600	32-6	A63D727200	31-14	A63D735700	29-38	A63D892201	26-22
A63D702800	29-31	A63D721701	31-6	A63D727302	31-16	A63D735800	29-17	A63D892300	26-4
A63D703701	30-13	A63D721900	30-23	A63D727400	29-9	A63D736200	29-22	A63D892400	26-5
A63D703800	30-14	A63D722000	31-24	A63D727500	29-12	A63D736700	28-22	A63D892500	26-7
A63D703900	30-8	A63D722100	31-13	A63D727600	29-10	A63D736801	28-8	A63D892712	26-27
A63D704100	30-9	A63D722200	31-12	A63D727700	29-5	A63D736900	28-11	A63D893100	26-11

Parts No.	Page No.	Parts No.	Page No.	Parts No.	Page No.	Parts No.	Page No.	Parts No.	Page No.
A63D893300	26-8	A72R133000	23-49	A92E132200	23-18	A92E161100	3-6	A92E594500	15-19
A63D900012	26-28	A72R142202	23-6	A92E132500	24-14	A92E161200	3-1	A92E594600	15-9
A63D900100	26-17	A72R161000	3-23	A92E132600	23-28	A92E161300	3-11	A92E594700	15-18
A63D900200	26-24	A72R162801	5-1	A92E132700	24-17	A92E161401	3-7	A92E595301	15-33
A63D900300	26-16	A72R163001	5-15	A92E132800	23-13	A92E161500	3-22	A92E595401	15-30
A63D901001	26-18	A72R163100	5-14	A92E132900	23-29	A92E162301	5-8	A92E595600	15-17
A63D901100	26-20	A72R820400	19-14	A92E133000	23-12	A92E190700	3-8	A92E621000	13-14
A63D901200	26-30	A72R820900	19-20	A92E133200	24-11	A92E191600	3-17	A92E621000	15-26
A63D901300	25-8	A72R825100	19-32	A92E133300	23-40	A92E212400	21-11	A92E621102	13-41
A63D901300	26-29	A72R825200	19-21	A92E133400	23-7	A92E212500	21-10	A92E621400	14-23
A63D901300	32-18	A72R825600	19-17	A92E133500	6-2	A92E260100	2-3	A92E621800	13-12
A63D901500	26-1	A72R890100	20-26	A92E133700	23-10	A92E270100	1-1	A92E624100	13-1
A63D901700	26-26	A72R890201	20-29	A92E133801	23-15	A92E401200	23-38	A92E624300	14-15
A63DH00103	32-28	A72R890300	20-1	A92E134000	24-9	A92E402700	7-12	A92E624500	13-5
A63DH00503	26-12	A72R890400	20-18	A92E134100	23-43	A92E590102	15-5	A92E624600	13-6
A63DH00A00	25-2	A72R890500	20-23	A92E134200	23-42	A92E590203	16-8	A92E625200	14-5
A63DM10000	28-39	A72R890600	20-20	A92E134300	23-11	A92E590302	16-5	A92E625400	14-2
A63DM10000	31-1	A72R890700	20-19	A92E134400	23-9	A92E590403	16-9	A92E626101	14-14
A63DM10000	32-11	A72R890800	20-21	A92E134500	23-34	A92E590500	15-24	A92E626200	14-29
A63DM10100	28-34	A72R890900	20-22	A92E134700	23-22	A92E590601	16-3	A92E626301	14-12
A63DN11001	32-31	A72R891200	20-31	A92E134800	24-2	A92E590700	15-6	A92E626400	14-1
A63DN11101	32-34	A72R891300	20-27	A92E134900	24-5	A92E590800	15-8	A92E626500	14-8
A63DN11300	32-35	A72R892001	20-24	A92E135300	23-32	A92E590900	15-29	A92E626601	14-9
A63DN11400	32-29	A72R892100	20-33	A92E135400	23-37	A92E591000	15-34	A92E626700	14-10
A63DN11500	32-27	A72R892301	19-19	A92E136400	23-36	A92E591100	15-22	A92E627100	14-21
A63DN11601	26-19	A72R892500	20-2	A92E137100	24-27	A92E591200	15-20	A92E627202	14-46
A63DN11800	32-30	A72R892700	20-13	A92E137200	24-24	A92E591400	15-7	A92E627300	14-36
A63DN12000	32-37	A72R895100	20-32	A92E137300	24-25	A92E591600	16-7	A92E627401	14-44
A63DN12200	27-18	A72R895200	20-32	A92E138100	23-39	A92E591700	15-39	A92E627500	14-35
A63DR70000	27-5	A72R895300	20-30	A92E142100	6-20	A92E591800	15-21	A92E627600	14-28
A6DR892300	20-8	A72R895500	20-28	A92E142200	19-34	A92E591900	16-2	A92E627701	14-34
A6X0R70122	12-1	A72RN10300	25-13	A92E142300	19-35	A92E592000	16-4	A92E627801	14-27
A72R100300	25-12	A795622700	14-6	A92E142401	19-36	A92E592100	15-16	A92E627901	14-26
A72R101000	8-22	A7AH621000	14-11	A92E142501	6-22	A92E592200	15-14	A92E628000	14-45
A72R101100	7-25	A7AH947201	39-12	A92E144402	6-17	A92E592400	16-12	A92E628201	13-36
A72R101200	6-21	A7PU168600	3-12	A92E144600	6-16	A92E592501	16-10	A92E628300	14-43
A72R101300	7-26	A7PU941701	4-14	A92E147400	39-1	A92E593000	16-11	A92E628400	14-41
A72R103401	8-21	A879H01W03	24-26	A92E158100	8-3	A92E593100	15-4	A92E628600	14-42
A72R109802	6-3	A8A1M10100	15-12	A92E160300	4-13	A92E594300	15-15	A92E628701	14-40
A72R130500	3-30	A92E111500	9-14	A92E160602	5-4	A92E594400	15-13	A92E628801	14-39

Parts No.	Page No.
A92E629001	13-37
A92E629200	14-22
A92E629301	14-37
A92E631000	13-28
A92E631100	13-29
A92E631200	13-33
A92E631400	13-32
A92E631501	13-35
A92E631702	13-26
A92E631900	13-24
A92E632101	13-25
A92E632200	13-19
A92E632301	13-16
A92E632500	13-20
A92E632602	13-17
A92E632702	13-18
A92E632800	13-22
A92E632900	13-23
A92E633001	13-27
A92E633100	13-31
A92E633201	13-21
A92E633600	13-3
A92E633700	13-4
A92E685100	14-4
A92E685300	14-3
A92E693000	22-16
A92E702600	18-26
A92E703300	17-16
A92E706300	11-19
A92E706400	11-21
A92E707100	11-4
A92E707302	11-8
A92E707500	11-3
A92E707800	11-23
A92E707900	11-24
A92E708000	18-22
A92E708100	18-23
A92E708200	18-24
A92E708300	18-25
A92E708500	11-22

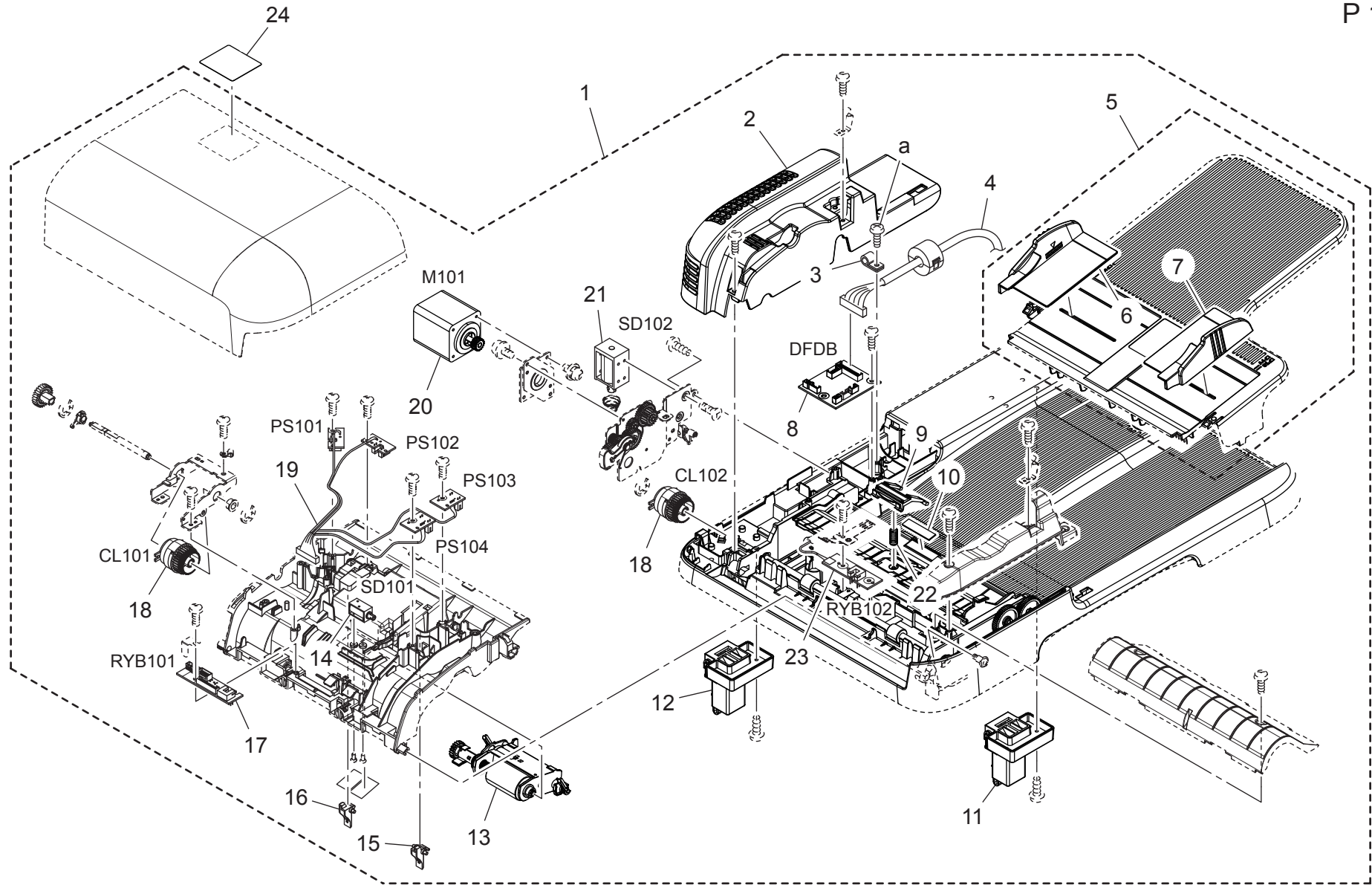
Parts No.	Page No.
A92E810102	18-4
A92E811600	18-21
A92E812000	18-20
A92E812500	17-42
A92E813200	17-28
A92E813401	17-5
A92E813501	17-41
A92E813600	17-9
A92E813900	17-6
A92E814000	19-13
A92E814100	19-23
A92E814200	19-33
A92E816000	17-29
A92E816300	17-32
A92E816600	17-37
A92E816700	17-30
A92E816800	17-31
A92E817400	17-38
A92E817500	17-33
A92E817600	17-43
A92E940100	14-20
A92E940201	14-47
A92E940301	15-36
A92E940401	14-24
A92E940501	14-25
A92E940601	14-33
A92E941100	2-9
A92E941200	1-24
A92E955000	39-9
A92E955100	39-8
A92E955200	39-7
A92EH02102	24-10
A92EM40300	5-11
A92EM71102	3-9
A92EM71202	3-9
A92EN10000	34-1
A92EN10100	35-1
A92EN10200	36-1
A92EN10300	20-16
A92EN10400	3-2

Parts No.	Page No.
A92EN10500	7-17
A92EN10600	7-24
A92EN10700	24-16
A92EN10800	23-23
A92EN10900	23-17
A92EN10B00	22-18
A92EN10C00	5-13
A92EN10D00	37-1
A92EN10F00	15-37
A92EN10G00	24-15
A92EN10J00	11-9
A92EN12000	24-12
A92EN12100	24-18
A92EN12200	23-47
A92EN12300	24-23
A92EN12400	3-29
A92EN12500	24-21
A92EN12600	3-25
A92EN12700	23-48
A92EN12800	24-22
A92EN12900	23-27
A92EN12A00	23-26
A92EN12B00	3-26
A92EPP0100	2-7
A92EPP0200	2-6
A92EPP0300	2-8
A92EPP0400	1-13
A92EPP0500	1-20
A92EPP0600	1-2
A92EPP0700	1-9
A92EPP0800	1-4
A92EPP0900	1-5
A92EPP1000	1-7
A92ER70000	21-30
A92ER70100	22-1
A92ER70300	16-1
A92ER70400	13-42
A92ER70500	3-5
A92ER70600	15-1
A92ER70700	17-14

Parts No.	Page No.
A92EV62001	13-13
A92EV62001	15-27
A92FN10000	24-13
A92G109500	6-1
A92G160400	4-1
A92G941000	4-5
A92GN10100	25-15
A92GN10200	25-14
A92GR70000	7-11
A92GR70100	19-30
A9FRH01000	24-19
A9W7H02F02	23-44
A9W7M72F02	23-46
A9W7N15801	23-45
V116031004	39-5
V153030804	39-6
V500010047	38-1
V500010081	38-2
V500010082	38-3
V500010083	38-4
V500010084	38-5
V500020098	38-6
V500020099	38-7
V500020100	38-8
V501010001	38-9
V502010029	24-4
V502010044	5-12
V502010045	24-3
V502010064	32-25
V570010021	38-10
V570010050	38-13
V570010056	38-14
V570010057	38-11
V570010059	38-12
V651010002	17-36
V651010002	32-32
V651010003	28-15
V651010009	32-36
V651020005	9-2
V800400032	14-31

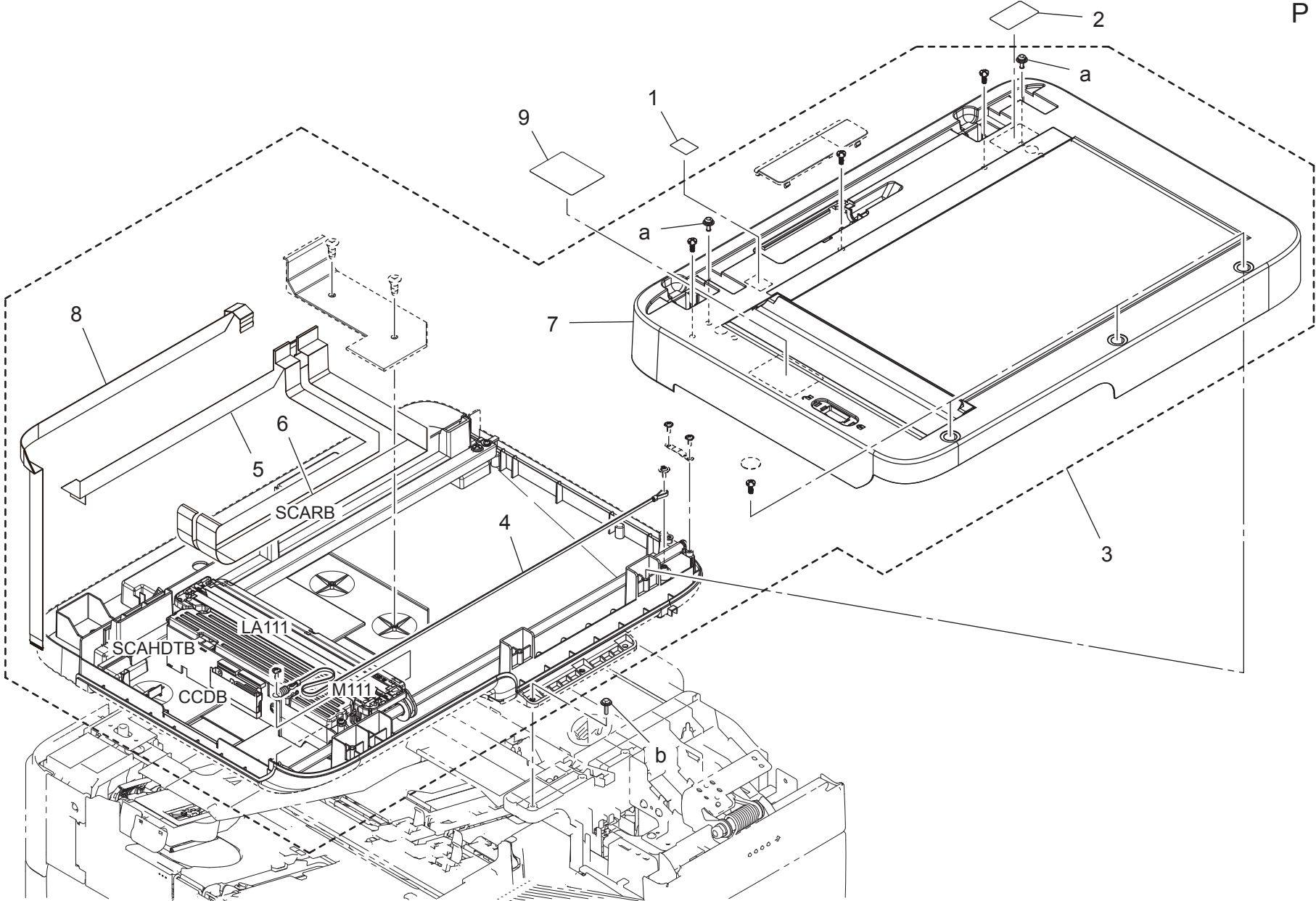
Parts No.	Page No.
V800400032	17-15
V864800076	24-28

Auto document feeder section



Key	Part No.	Description	Destinations	Class	QTY	Standard parts
1	A92E270100	Auto Document Feeder		S	1	a-A121PP0300
2	A92EPP0600	UPPER COVER/REAR		D	1	
3	A121PP0200	CABLE CLAMP		D	1	
4	A92EPP0800	WIRE HARNESS ASSY		D	1	
5	A92EPP0900	Tray Assy		D	1	
6	A121PP0J00	Guide Right		D	1	
7	A92EPP1000	Guide Left		D	1	
8	A121PP0700	PWB Assembly		I	1	
9	A92EPP0700	Separator Pad Assy		C	1	
10	A121PP0D00	Pad		C	1	
11	A121PP0600	HINGE R		D	1	
12	A121PP0500	HINGE L		D	1	
13	A92EPP0400	Separator Roller Assy		C	1	
14	A121PP0B00	Solenoid		C	1	
15	A121PP0H00	Stopper Left		D	1	
16	A121PP0G00	Stopper Right		D	1	
17	A121PP0900	Photo Sensor		C	1	
18	A121PP0A00	Clutch		C	2	
19	A121PP0800	Photo Sensor		C	1	
20	A92EPP0500	Motor Assy		C	1	
21	A121PP0C00	Solenoid		C	1	
22	A121PP1000	Spring		D	1	
23	A121PP0R00	Photo Sensor		C	1	
24	A92E941200	Label caution		D	1	

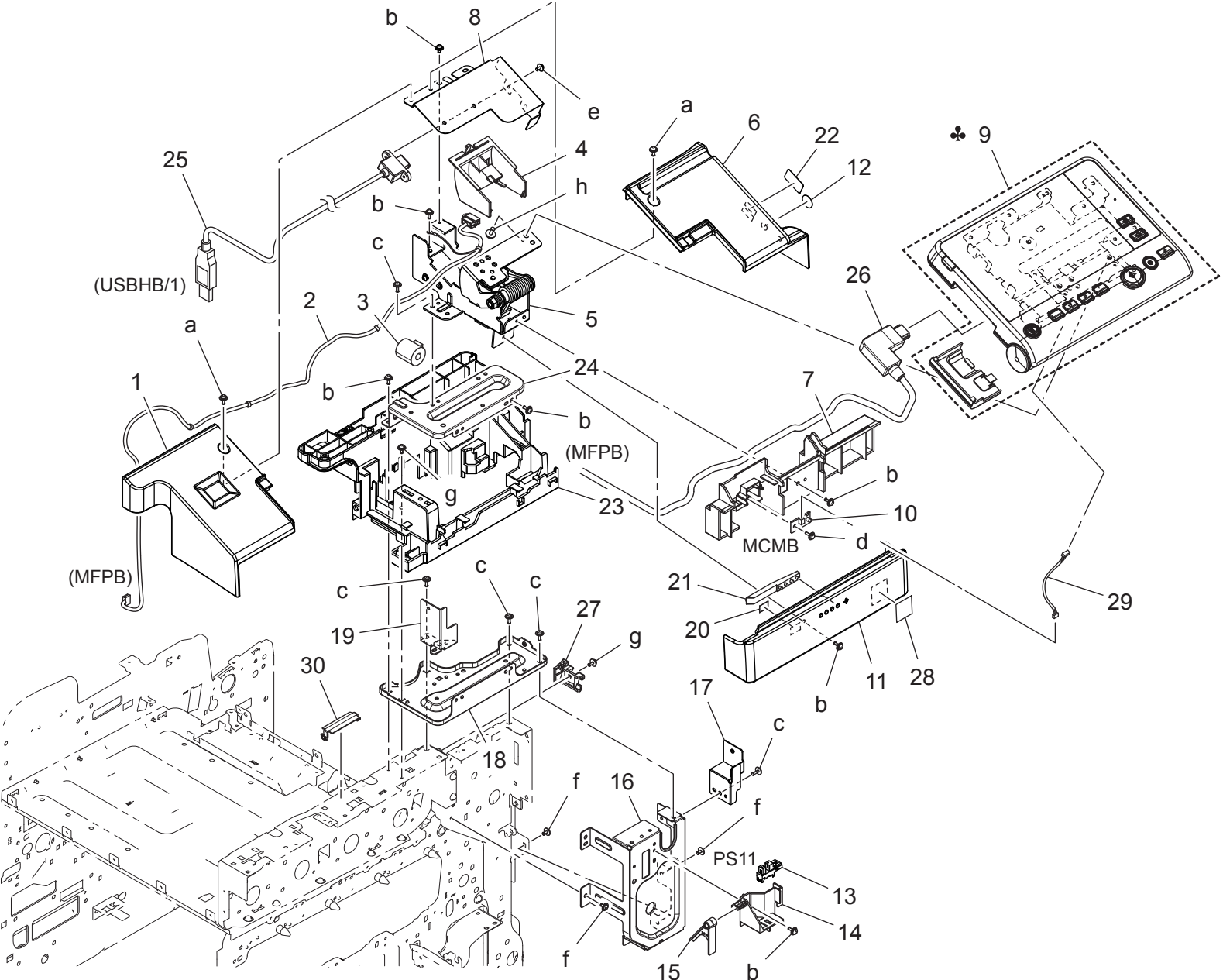
Scanner section



Scanner section

Key	Part No.	Description	Destinations	Class	QTY	Standard parts
1	A161940602	Label		D	1	a-V116041003 b-V153041203
2	A0HF952400	Label		C	1	
3	A92E260100	OPTICAL UNIT		S	1	
4	A121PP0N02	Scanner Belt		C	1	
5	A121PP0Q00	Flat Cable 18P		D	1	
6	A92EPP0200	Flat Cable 31P		D	1	
7	A92EPP0100	IR Cover Assy		D	1	
8	A92EPP0300	Flat Cable 24P		D	1	
9	A92E941100	Label caution		D	1	

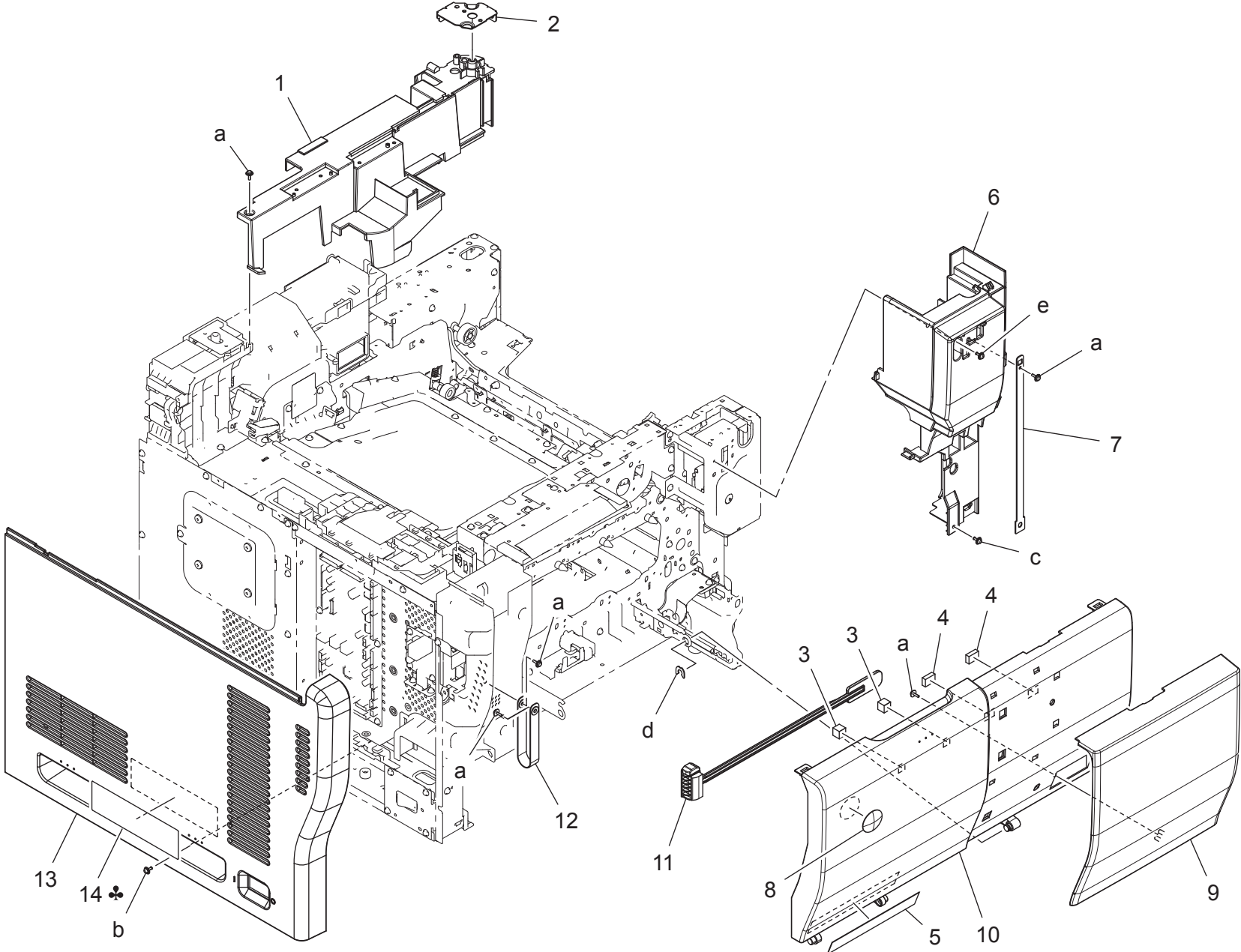
Control panel section



Control panel section

Key	Part No.	Description	Destinations	Class	QTY	Standard parts
1	A92E161200	Cover		D	1	a-V116030804
2	A92EN10400	Drive Relay harness		D	1	b-V116030803
3	A3GNM71C00	Ferrite core		D	1	c-V137030803
4	A3GN161701	Cover		D	1	d-V153030803
5	A92ER70500	Operation Panel Mounting Plate ASSY		D	1	e-V116030603
6	A92E161100	Cover		D	1	f-V144030603
7	A92E161401	Cover		D	1	g-V125030818
8	A92E190700	Mounting Plate		D	1	h-V116041003
9	A92EM71102	Panel assembly	B,G2,H	I	1	
9	A92EM71202	Panel assembly	C,I(SOUTH AFRICA)	I	1	
10	A3GNH00500	PWB Assembly (MCMB)		C	1	
11	A92E161300	Cover		D	1	
12	A7PU168600	Seal		C	1	
13	A5C1M50100	Photointerrupter		B	1	
14	A3GN135400	Holder		D	1	
15	A3GN135500	Lever		D	1	
16	A3GN190101	Mounting Plate		D	1	
17	A92E191600	Mounting Plate		D	1	
18	A3GN190600	Mounting Plate		D	1	
19	A3GN190801	Mounting Plate		D	1	
20	A3GN191300	Light blocking Sheet		D	1	
21	A3GN161800	Lens		D	1	
22	A92E161500	Seal		D	1	
23	A72R161000	Cover		D	1	
24	A3GN190511	Mounting Plate		D	1	
25	A92EN12600	I/F Cable /2		D	1	
26	A92EN12B00	I/F Cable /P		D	1	
27	A3GN191500	Stopper		D	1	
28	A011946200	Label Emperon		D	1	
29	A92EN12400	I/F Cable /B		D	1	
30	A72R130500	Wiring Part		D	1	

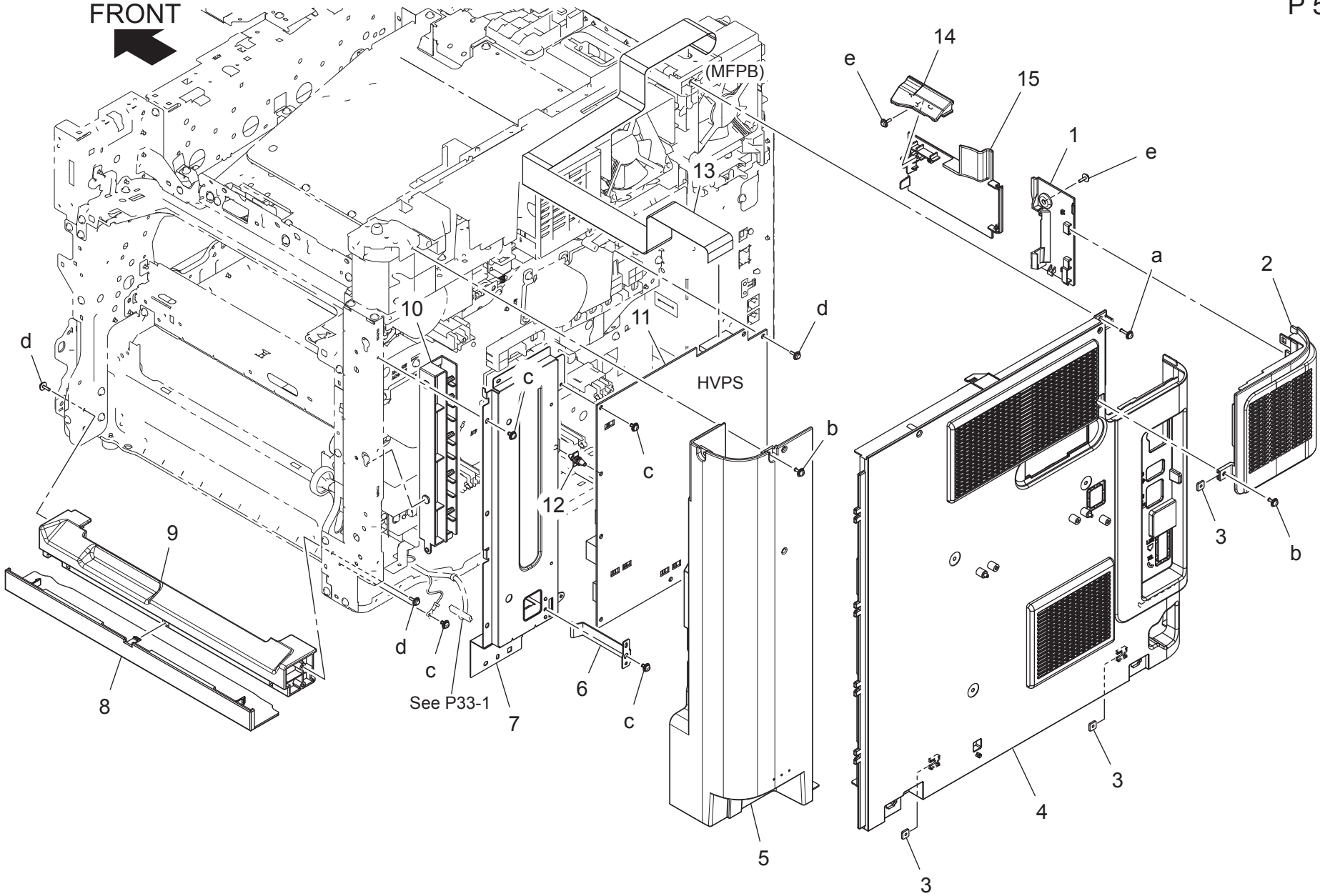
External Parts section



External Parts section

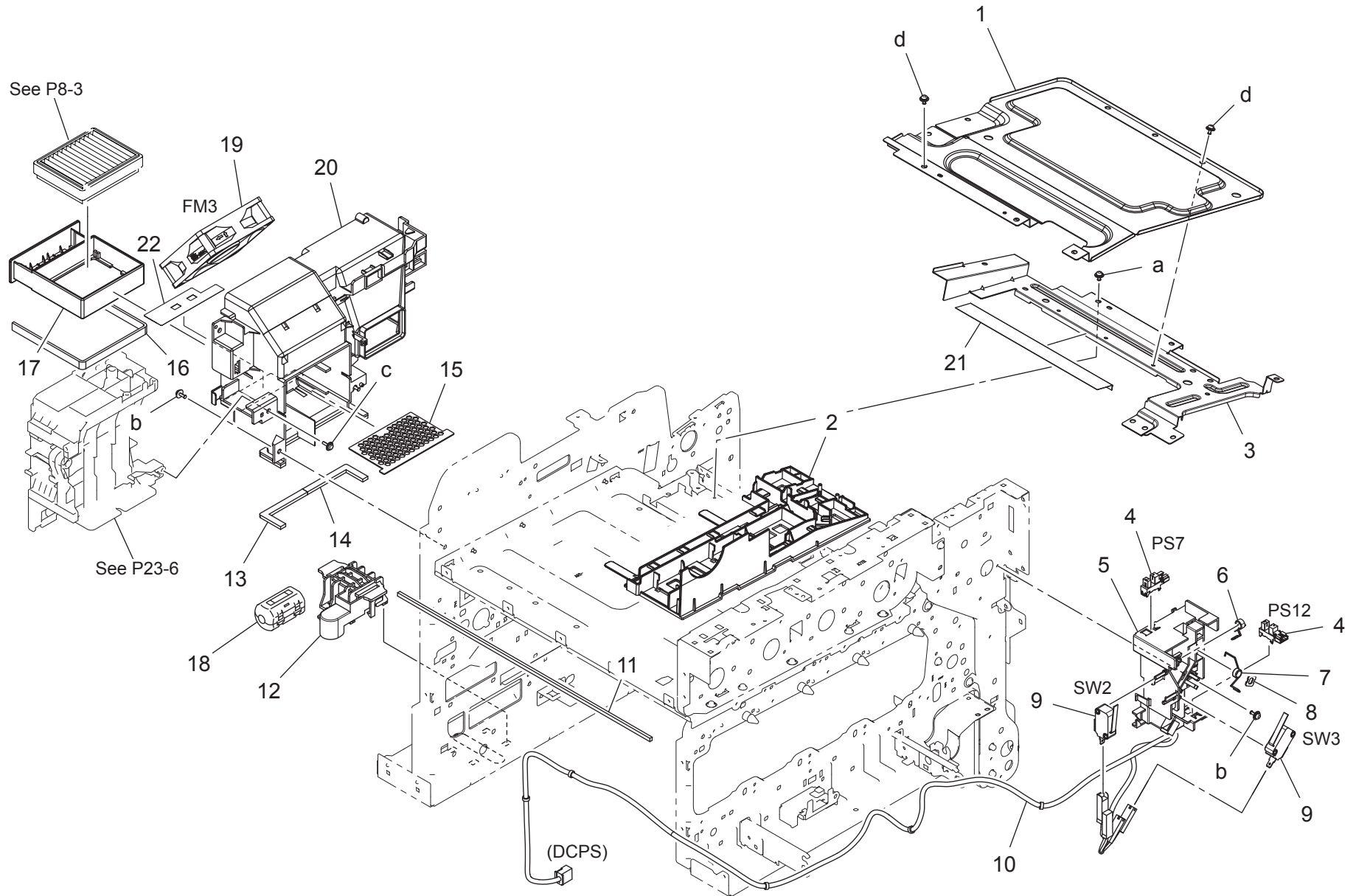
Key	Part No.	Description	Destinations	Class	QTY	Standard parts
1	A92G160400	Cover /Upper		D	1	a-V153030804 b-V116030804 c-V116031004 d-V218060086 e-V116030803
2	A3GN162500	Hold Plate		D	1	
3	A3GN162900	Seal		C	2	
4	A3GN163000	Seal		C	2	
5	A92G941000	Label bizhub C3851FS		D	1	
6	A3GN160801	Support Part		D	1	
7	A3GN812300	Open/close Stopper		C	1	
8	A00J945500	Logo Mark		C	1	
9	A3GN160200	Cover /Front		C	1	
10	A3GN160104	Cover /Front		C	1	
11	A3GN162600	Cleaning Part		C	1	
12	A0ED162401	Band		D	1	
13	A92E160300	Cover /Left		D	1	
14	A7PU941701	Label Caution	C,I(SOUTH AFRICA)	C	1	

External Parts section



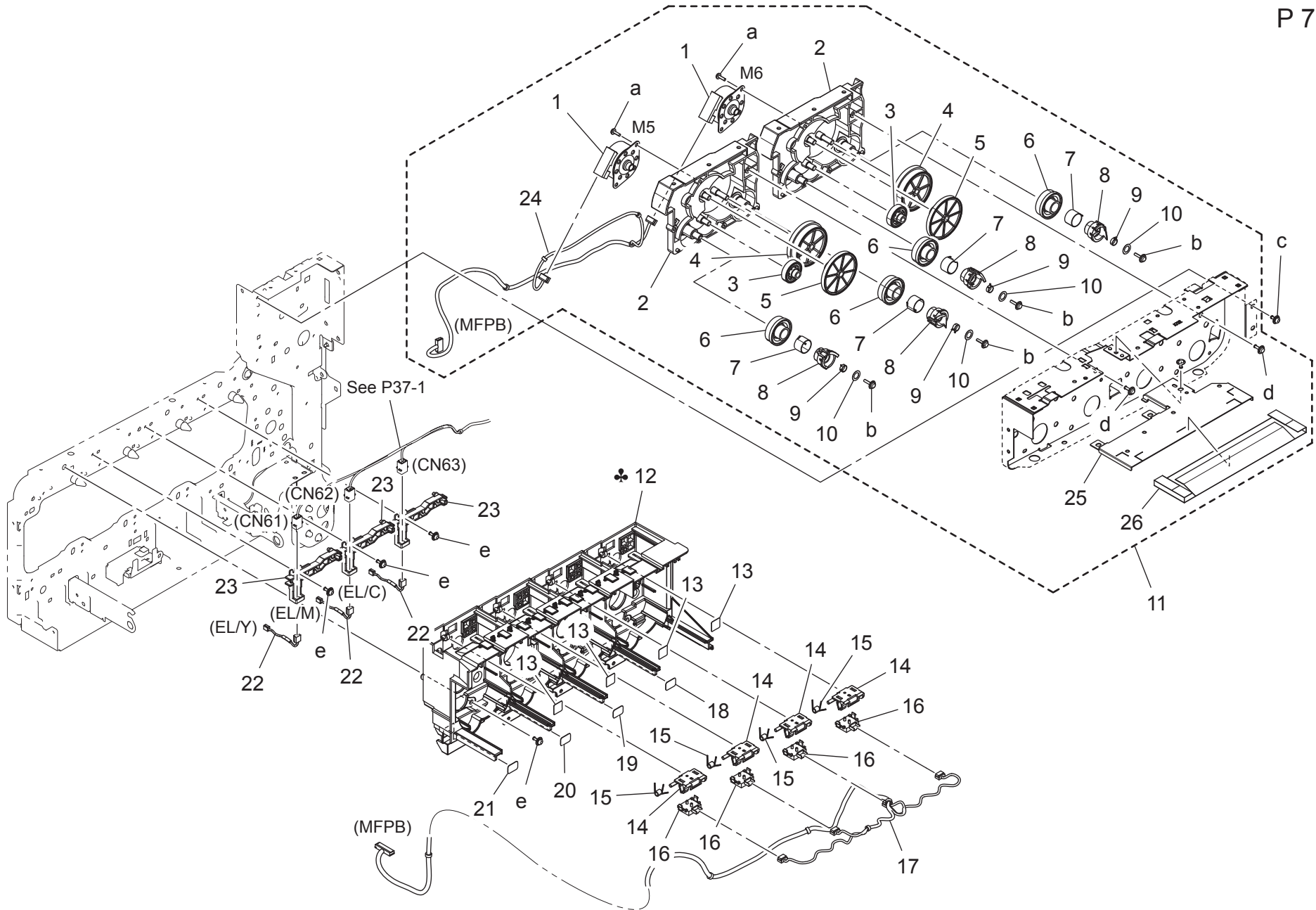
Key	Part No.	Description	Destinations	Class	QTY	Standard parts
1	A72R162801	Cover		C	1	a-V116031204 b-V116030804 c-V116030603 d-V153030803 e-V153030804
2	A3GN162701	Cover Main body		C	1	
3	4002504202	PLATE NUT		D	3	
4	A92E160602	Cover /Rear		D	1	
5	A3GN160900	Support Part /Right		C	1	
6	A3GN621701	Lock Plate spring		D	1	
7	A3GN109300	Mounting Plate		D	1	
8	A92E162301	Cover /Right		D	1	
9	A3GN162000	Cover /Right		C	1	
10	A3GN133600	Holder		D	1	
11	A92EM40300	High voltage unit		I	1	
12	V502010044	PCB Support		D	1	
13	A92EN10C00	I/F Flatcable /2		D	1	
14	A72R163100	Cover /Left		C	1	
15	A72R163001	Cover /Left		C	1	

Toner suction section



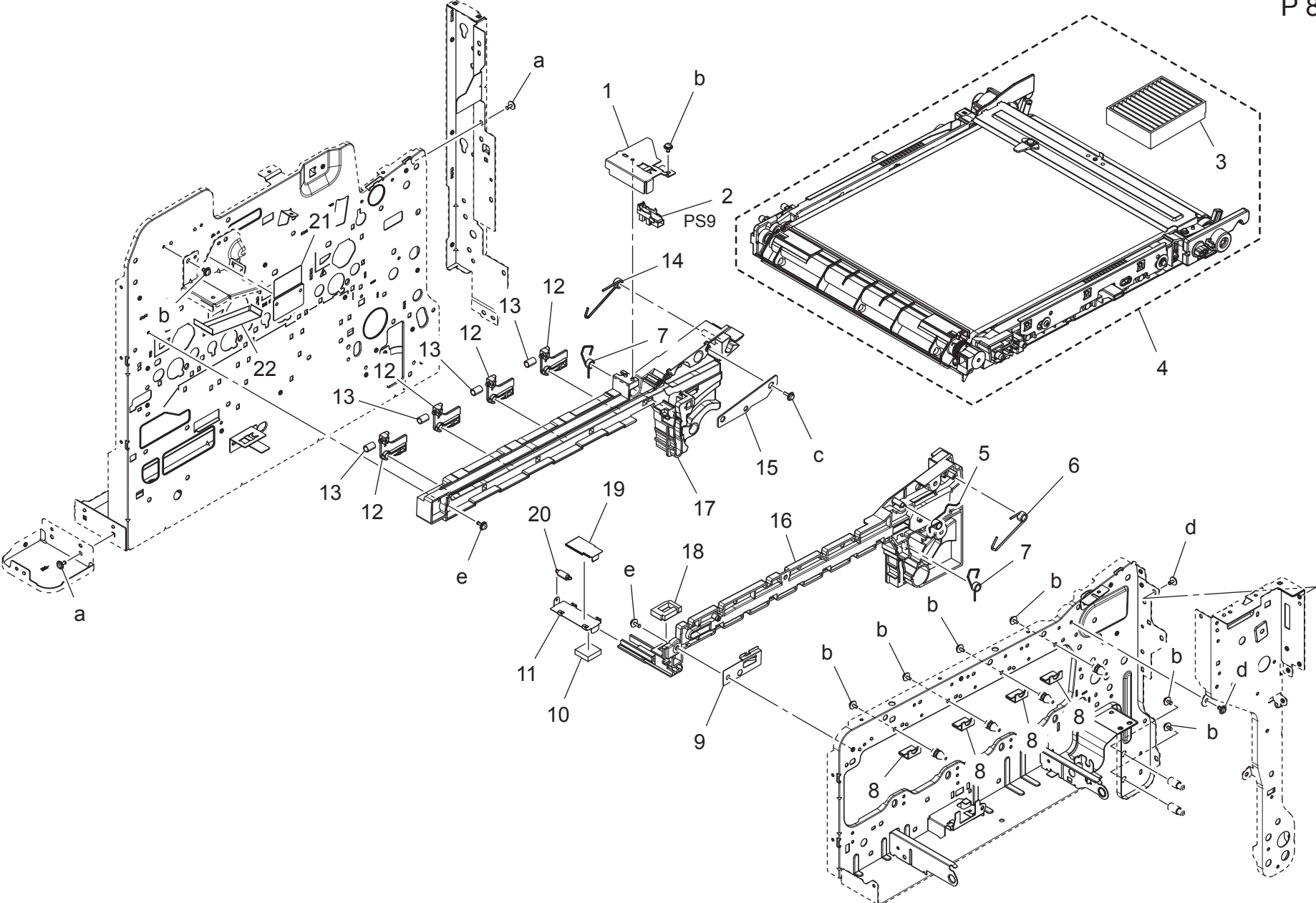
Key	Part No.	Description	Destinations	Class	QTY	Standard parts
1	A92G109500	Reinforce Plate /Upper		D	1	a-V116030603 b-V116030803 c-V153030803 d-V125030818
2	A92E133500	Holder		D	1	
3	A72R109802	Reinforce Frame		D	1	
4	A5C1M50100	Photointerrupter		B	2	
5	A3GN135300	Holder		D	1	
6	A0VD135201	Adjusting Spring		D	1	
7	A3GN135200	Torsion Coil spring		D	1	
8	A3GN135100	Spacer		D	1	
9	9J06M60100	MICRO SWITCH		C	2	
10	A3GNN10D00	Interlock Wiring		D	1	
11	A3GN146400	Seal /Left		D	1	
12	A0VD136100	Hold Holder		D	1	
13	A3GN144100	Connecting Seal /Rear		D	1	
14	A3GN144500	Connecting Seal		D	1	
15	A3GN145700	Cover		D	1	
16	A92E144600	Holding Seal		D	1	
17	A92E144402	Filter Holder		C	1	
18	A5C1M92100	Ferritecore		D	1	
19	4139M10000	Fan motor		B	1	
20	A92E142100	Supply Duct /Left rear		D	1	
21	A72R101200	Protection Seal		C	1	
22	A92E142501	Sheet		D	1	

Toner bottle drive section



Key	Part No.	Description	Destinations	Class	QTY	Standard parts
1	A5C1M10400	Stepping motor		C	2	a-V145030803 b-V153031003 c-V125030818 d-V153030803 e-V116030803
2	A3GN400100	Holder		D	2	
3	A3GN400400	Gear 25T		C	2	
4	A3GN400300	Gear 49/86T		C	2	
5	A3GN400200	Gear 20/107T		C	2	
6	A02E240600	Gear 30T		C	4	
7	4038541101	SPRING		C	4	
8	A3GN400800	Guide		C	4	
9	A3GN401100	Spring		C	4	
10	4131412801	WASHER		C	4	
11	A92GR70000	TB Drive Frame ASSY		S	1	
12	A3GN400002	Holder	B,G2,H	D	1	
12	A92E402700	Holder	C,I,(SOUTH AFRICA)	D	1	
13	A2X0949100	Label		C	4	
14	A3GN400900	Mounting Plate		D	4	
15	A3GN401000	Torsion Coil spring		C	4	
16	A0EDM60001	Relay Connector		D	4	
17	A92EN10500	Toner Detection harness		D	1	
18	A3GN401600	Label K		C	1	
19	A3GN401500	Label C		C	1	
20	A3GN401400	Label M		C	1	
21	A3GN401300	Label Y		C	1	
22	A3GNN10U00	Relay Wiring		D	3	
23	A3GN137100	Guide		D	3	
24	A92EN10600	Toner Drive harness		D	1	
25	A72R101100	Protection Plate		D	1	
26	A72R101300	Protection Sheet		D	1	

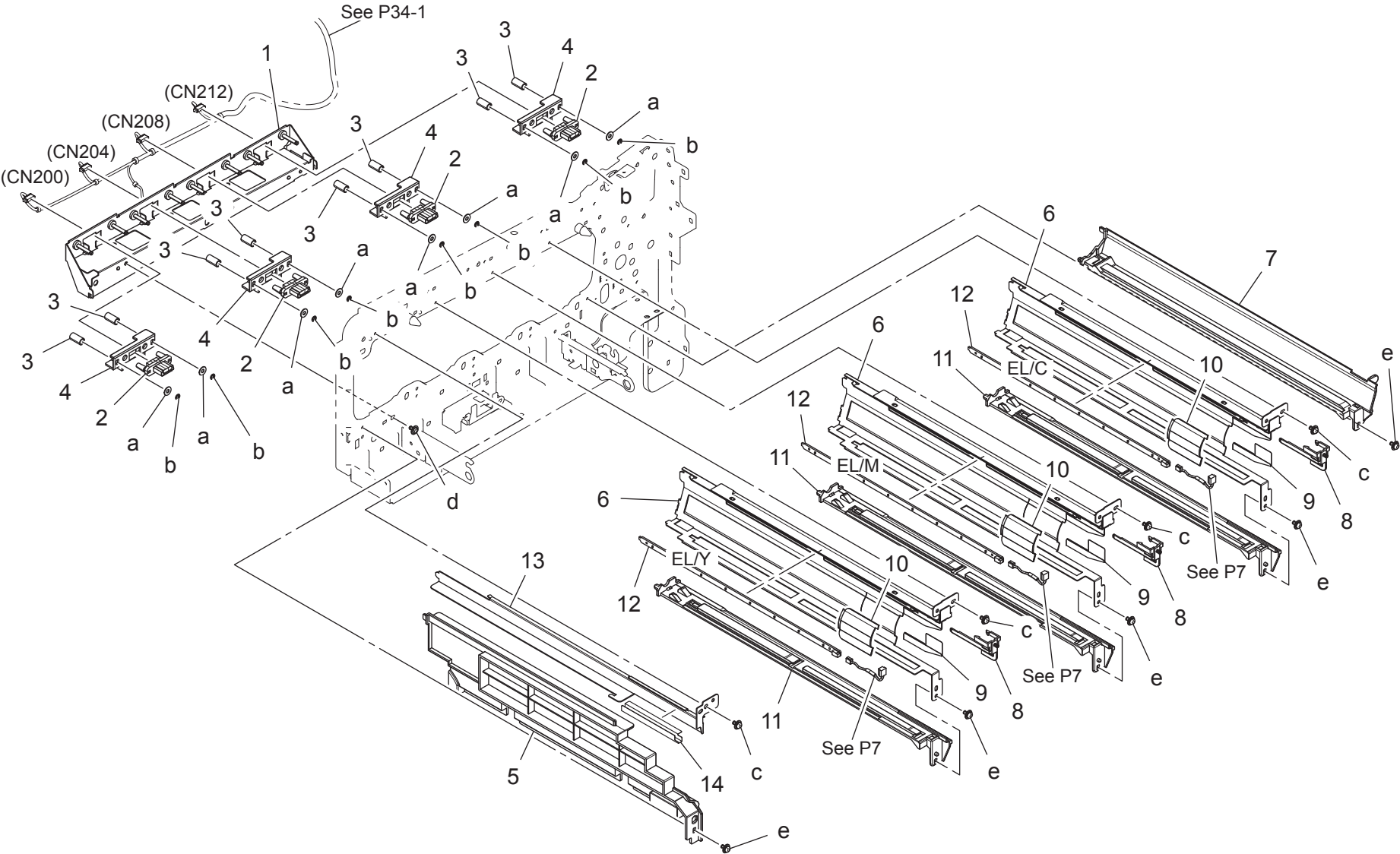
Transfer belt section



Transfer belt section

Key	Part No.	Description	Destinations	Class	QTY	Standard parts
1	A3GN110900	Mounting Plate		D	1	a-V137030603 b-V116030603 c-V153030803 d-V144030603 e-V116030803
2	A5C1M50100	Photointerrupter		B	1	
3	A92E158100	Dust-proof Filter		C	1	
4	A4Y5WY4	Transfer Unit		A	1	
5	A0VD136800	Contact		D	1	
6	A3GN110401	Torsion Coil spring		D	1	
7	A0VD114101	Torsion Coil spring		D	2	
8	A3GN111800	Seal		D	4	
9	A3GN110600	Ground Spring		D	1	
10	A0VD363700	Seal		D	1	
11	A0VD362300	Shutter		D	1	
12	A3GN110700	Holding Lever		D	4	
13	A3GN110800	Compressing Coil spring		D	4	
14	A3GN110501	Torsion Coil spring		D	1	
15	A0VD214700	Mounting Plate		D	1	
16	A3GN110001	Rail /Front		D	1	
17	A3GN110102	Rail /Rear		D	1	
18	A3GN113300	Seal		D	1	
19	A0VD362400	Seal		D	1	
20	A0VD362500	Pulling Coil spring		D	1	
21	A72R103401	Protection Sheet		D	1	
22	A72R101000	Protection Sheet		D	1	

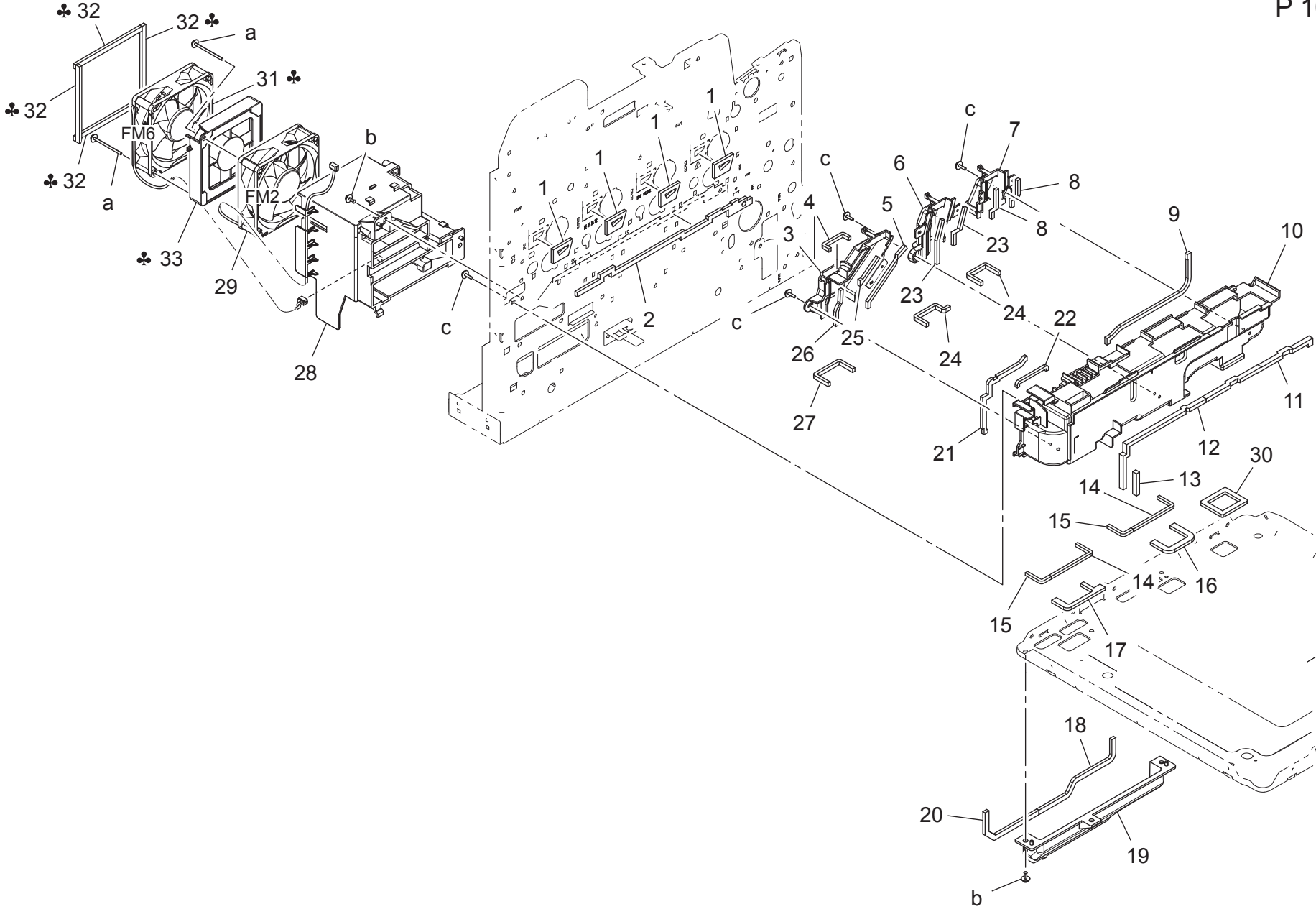
Erase LED section



Erase LED section

Key	Part No.	Description	Destinations	Class	QTY	Standard parts
1	A3GN112900	Mounting Plate		D	1	a-V207030003 b-V217020050 c-V116030603 d-V144030603 e-V116030804
2	V651020005	Drawer CN		D	4	
3	A3GN112800	Compressing Coil spring		D	8	
4	A3GN113000	Holder		D	4	
5	A3GN111001	Rail /Lower		D	1	
6	A3GN111300	Rail /Upper		D	3	
7	A3GN111200	Rail /Lower		D	1	
8	A3GN112400	Cover		D	3	
9	A3GN113200	Seal		D	3	
10	A3GN113100	Seal		D	3	
11	A3GN111101	Rail /Lower		D	3	
12	A3GNM30400	Neutralizing LED array		I	3	
13	A3GN111400	Rail /Upper		D	1	
14	A92E111500	Scatteringprevention Sheet		D	1	

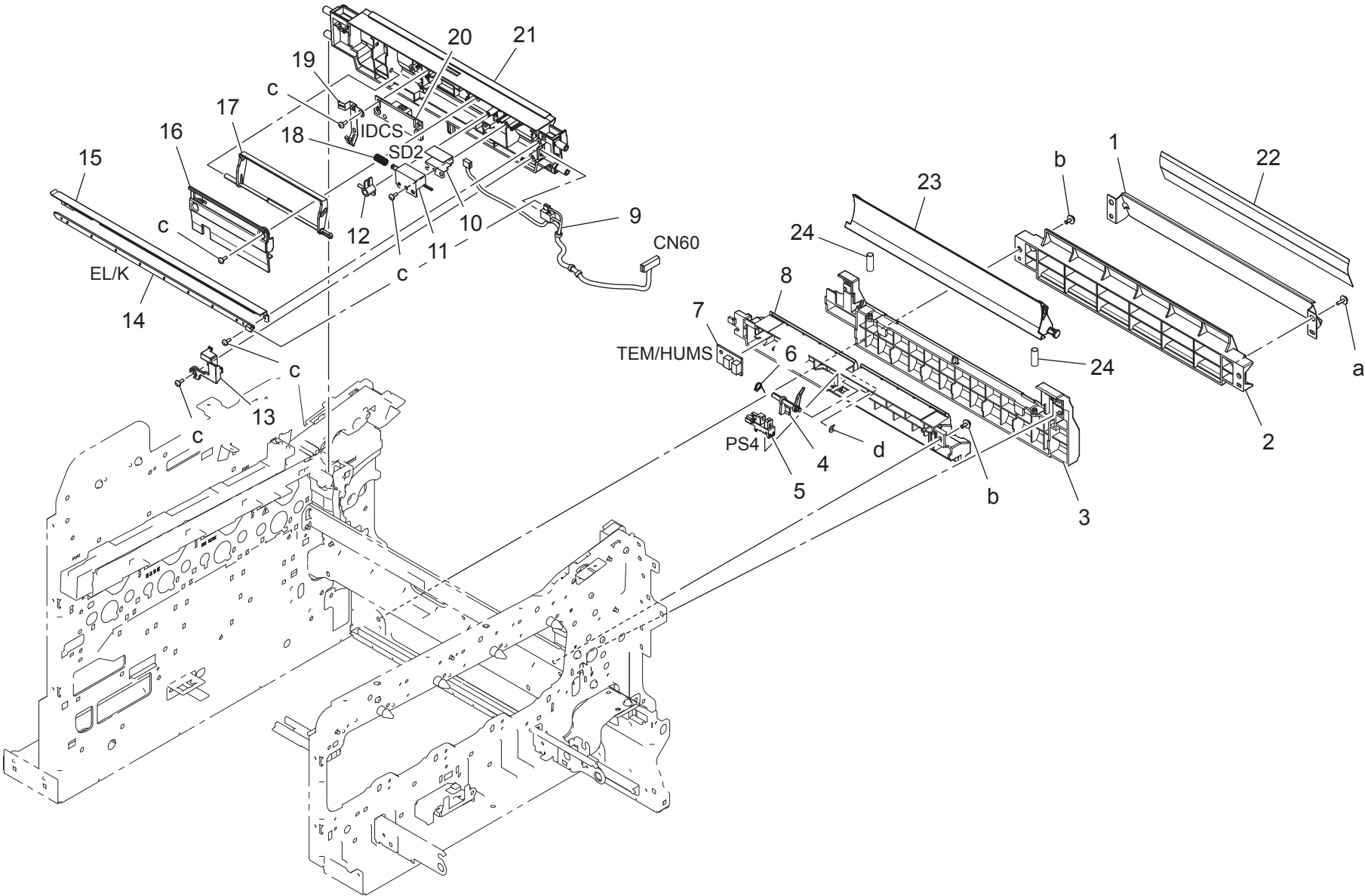
Cooling fan section



Cooling fan section

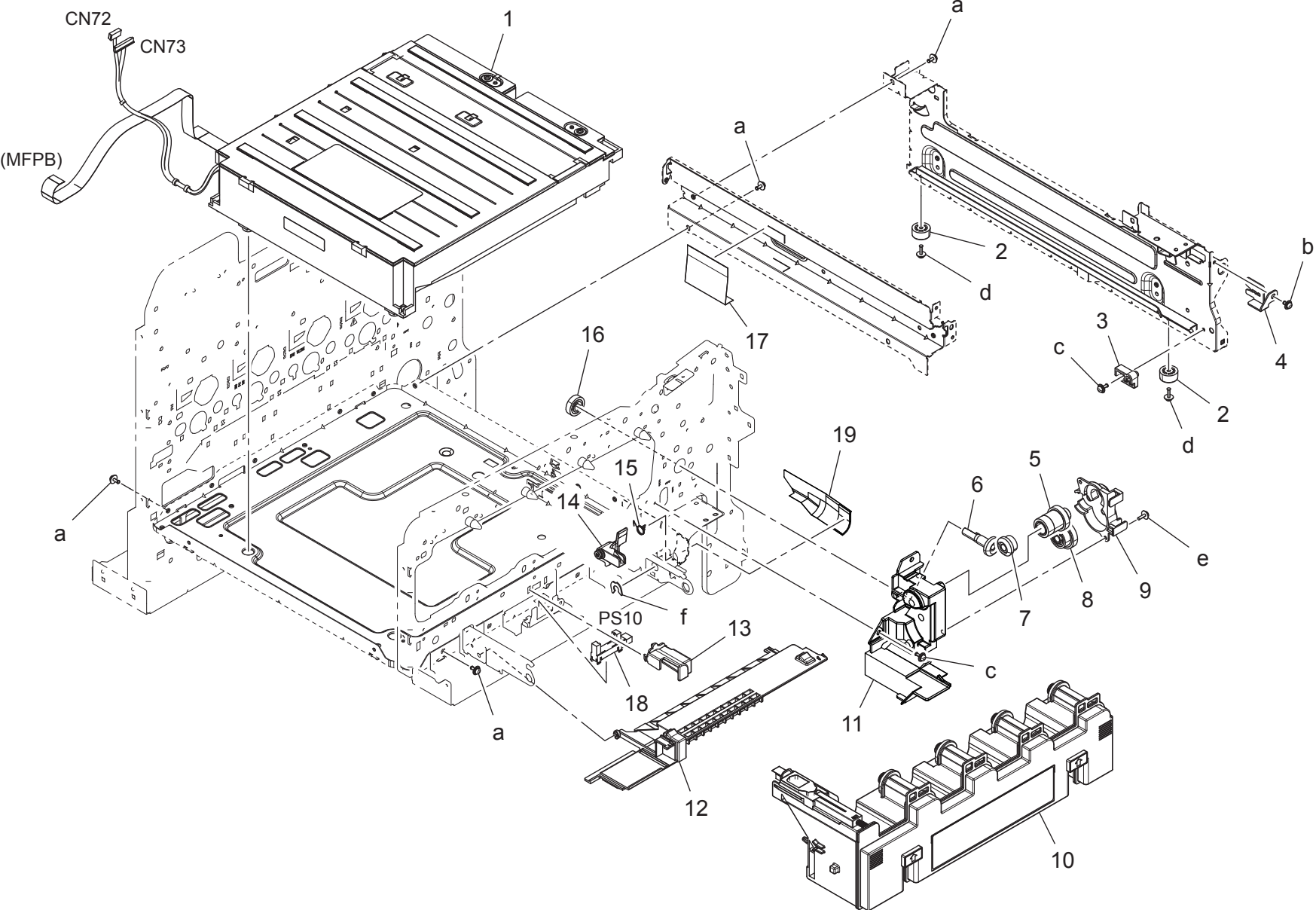
Key	Part No.	Description	Destinations	Class	QTY	Standard parts
1	A3GN144200	Connecting Seal /Middle		D	4	a-V153033503 b-V116030803 c-V153030803
2	A3GN140600	Sealing Part		D	1	
3	A3GN148200	Supply Duct /Rear		D	1	
4	A3GN149600	Sealing Part Outside		D	1	
5	A3GN148700	Sealing Part /Side		D	1	
6	A3GN148100	Supply Duct /Rear		D	1	
7	A3GN148001	Supply Duct /Rear		D	1	
8	A3GN148300	Sealing Part /Side		D	2	
9	A3GN141201	Sealing Part		D	1	
10	A3GN140100	Supply Duct /Rear		D	1	
11	A3GN145100	Sealing Part		D	1	
12	A3GN145200	Sealing Part		D	1	
13	A3GN145600	Sealing Part		D	1	
14	A3GN140700	Sealing Part /Middle		D	2	
15	A3GN145400	Sealing Part		D	2	
16	A3GN149100	Sealing Part /Lower		D	1	
17	A3GN149200	Sealing Part /Lower		D	1	
18	A3GN145300	Sealing Part		D	1	
19	A3GN140300	Supply Duct /Lower		D	1	
20	A3GN141100	Sealing Part		D	1	
21	A3GN141300	Sealing Part		D	1	
22	A3GN140800	Sealing Part		D	1	
23	A3GN148500	Sealing Part /Side		D	2	
24	A3GN149300	Sealing Part Outside		D	2	
25	A3GN148800	Sealing Part /Side		D	1	
26	A3GN148900	Sealing Part /Side		D	1	
27	A3GN149500	Sealing Part Outside		D	1	
28	A3GN147201	Mounting Duct /Rear		D	1	
29	4139M10000	Fan motor		B	1	
30	A3GN149000	Sealing Part /Lower		D	1	
31	4139M10000	Fan motor	C,I(SOUTH AFRICA)	B	1	
32	A3GN147600	Seal	C,I(SOUTH AFRICA)	D	4	
33	A3GN147000	Guide	C,I(SOUTH AFRICA)	D	1	

Transfer guide section



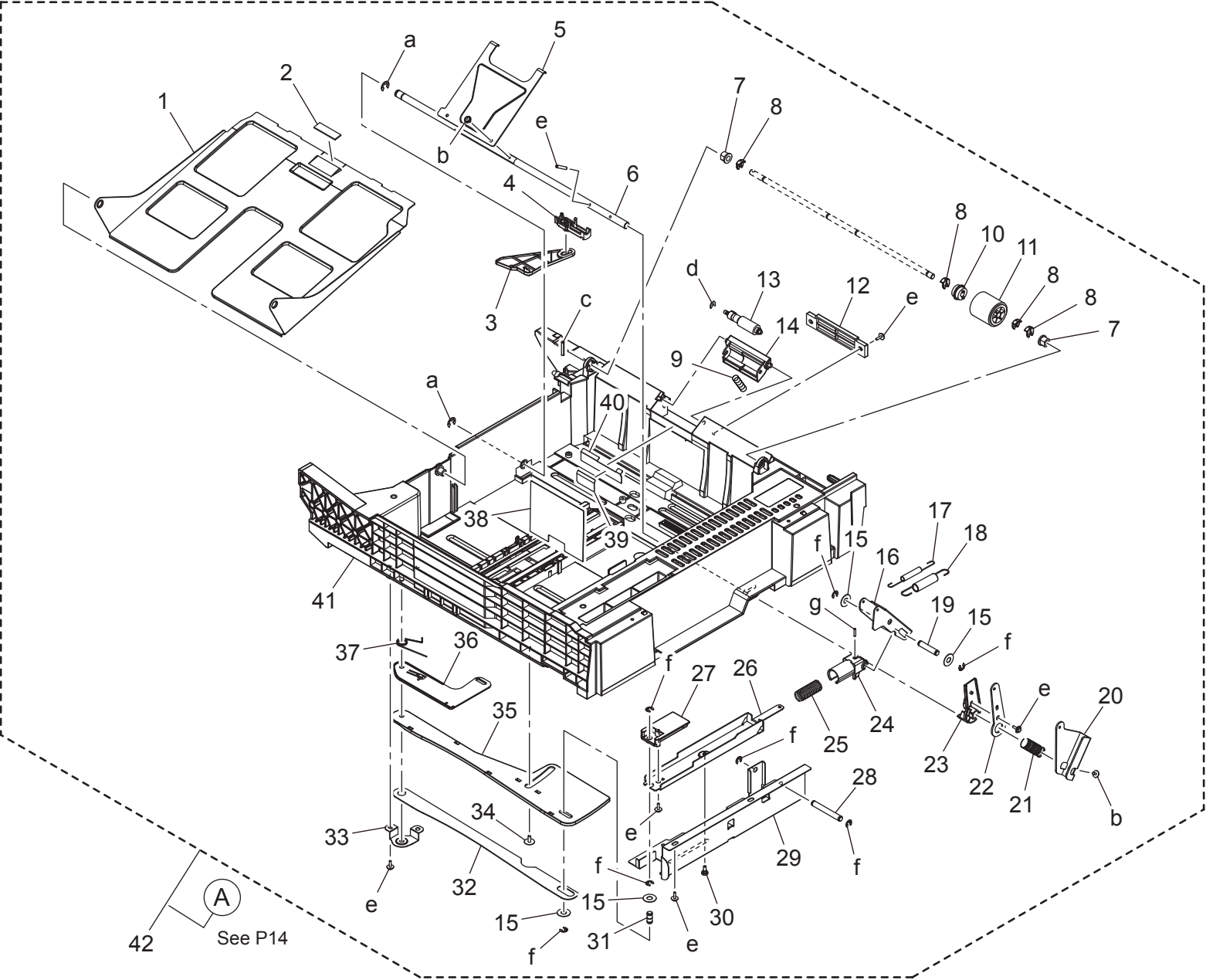
Key	Part No.	Description	Destinations	Class	QTY	Standard parts
1	A3GN707700	Guide		D	1	a-V153030803 b-V125030818 c-V145030603 d-V218025086
2	A3GN707600	Guide		D	1	
3	A92E707500	Holder		D	1	
4	A92E707100	Actuator		C	1	
5	A5C1M50100	Photointerrupter		B	1	
6	A0VD707201	Torsion Coil spring		D	1	
7	A0P0M50400	Humidity sensor		C	1	
8	A92E707302	Guide		D	1	
9	A92EN10J00	Transfer Relay harness		D	1	
10	A3GN708000	Protection Part		D	1	
11	A034M20000	Paperfeed Solenoid		C	1	
12	A3GN706600	Lever		C	1	
13	A3GN112300	Cover		D	1	
14	A3GNM30400	Neutralizing LED array		I	1	
15	A3GN111500	Mounting Plate		D	1	
16	A3GN706500	Holder		D	1	
17	A3GN706100	Cover		D	1	
18	A034213400	Compressing Spring		D	1	
19	A92E706300	Contact		D	1	
20	A161M50300	Photo sensing		I	1	
21	A92E706400	Guide		D	1	
22	A92E708500	Seal		D	1	
23	A92E707800	Guide		C	1	
24	A92E707900	Compressing Coil spring		D	2	

Write/ Toner collection section



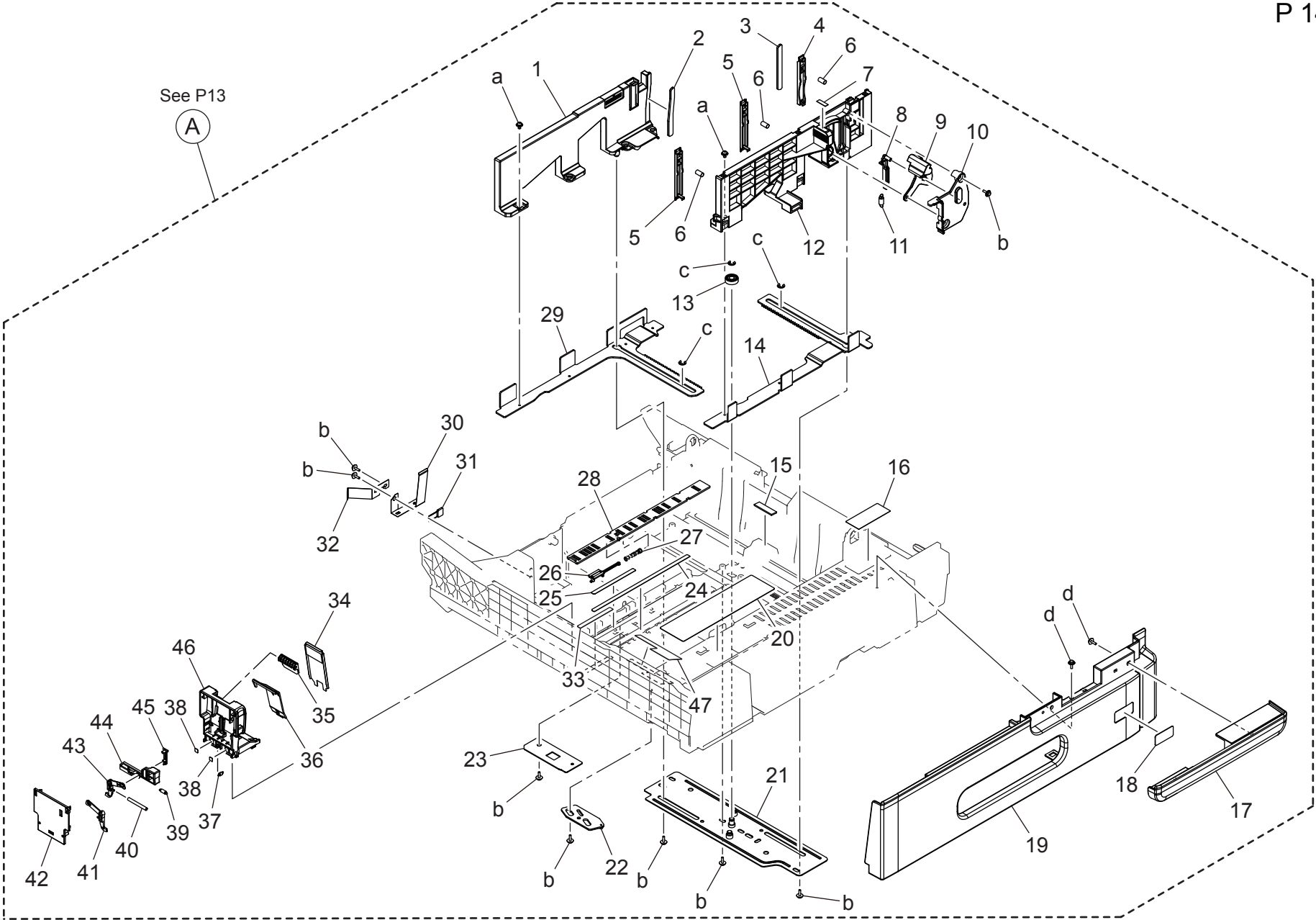
Key	Part No.	Description	Destinations	Class	QTY	Standard parts
1	A6X0R70122	Print Head Assy		I	1	a-V125030818
2	0996305501	RUBBER FOOT		C	2	b-V116030603
3	A3GN102500	Guide		D	1	c-V116030803
4	A3GN621600	Stopper		D	1	d-V116031003
5	A0VD235600	Gear 16/26T		D	1	e-V153030803
6	A0VD235400	Gear 16T		D	1	f-V218060086
7	A0VD235500	Gear 16/16T		D	1	
8	A0VD235900	Gear 22/30T		D	1	
9	A3GN235200	Holding Plate		D	1	
10	A4Y5WY1	Waste Toner Bottle		A	1	
11	A3GN235113	Drive Holder		D	1	
12	A3GN106700	Holder		D	1	
13	A3GN107100	Cover		D	1	
14	A3GN362601	Lever		C	1	
15	A0VD362702	Torsion Coil spring		D	1	
16	A0VD235700	Gear 16T		C	1	
17	A3GN102300	Regulating Sheet		D	1	
18	9335140051	SOLID STATE SWITCH		B	1	
19	A3GN102200	Seal		D	1	

Paper feed section (Tray 1)



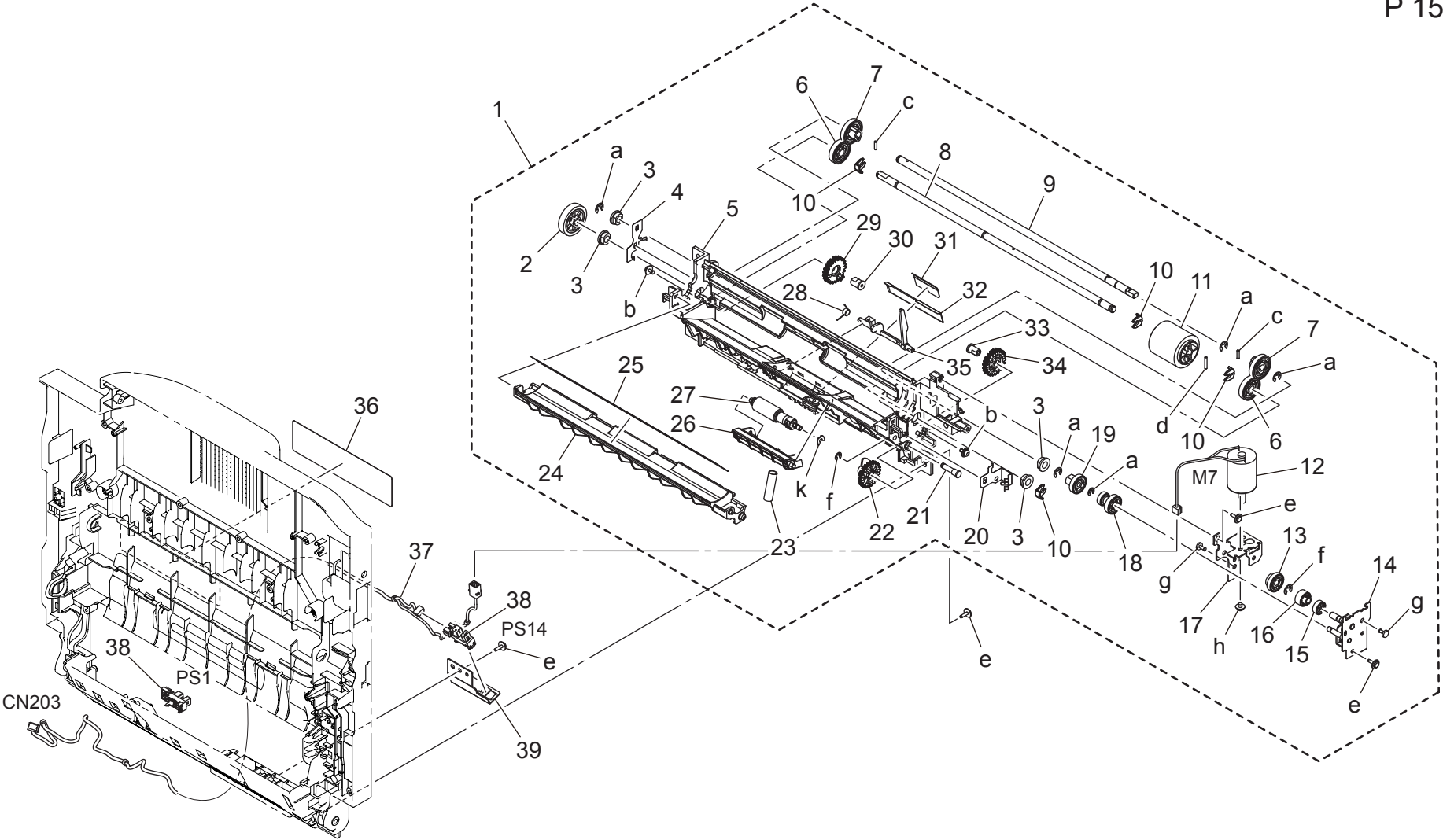
Key	Part No.	Description	Destinations	Class	QTY	Standard parts
1	A92E624100	Lifting Plate		D	1	a-V217060001 b-V116030603 c-V232301809 d-V218030086 e-V153030803 f-V217040001 g-V231201050
2	0978381101	FRICITION SHEET		C	1	
3	A92E633600	Lever		D	1	
4	A92E633700	Lever		D	1	
5	A92E624500	Lifting Plate		D	1	
6	A92E624600	Shaft		D	1	
7	4138324401	BUSHING		C	2	
8	56AA40490	SHAFT STOPPER 4		C	4	
9	A0VD624800	Compressing Coil spring		C	1	
10	4030303401	CLUTCH		C	1	
11	4138303202	ROLLER		B	1	
12	A92E621800	Holder		D	1	
13	A92EV62001	Roller Assy		B	1	
14	A92E621000	Holder		D	1	
15	A00J192900	Washer		C	4	
16	A92E632301	Lever		D	1	
17	A92E632602	Pulling Coil spring		C	1	
18	A92E632702	Pulling Coil spring /B		C	1	
19	A92E632200	Shaft		D	1	
20	A92E632500	Lever		D	1	
21	A92E633201	Compressing Coil spring		D	1	
22	A92E632800	Lever /B		D	1	
23	A92E632900	Cover		D	1	
24	A92E631900	Pressing Part		D	1	
25	A92E632101	Compressing Coil spring		C	1	
26	A92E631702	Lever		D	1	
27	A92E633001	Cover		D	1	
28	A92E631000	Shaft		D	1	
29	A92E631100	Mounting Plate		D	1	
30	4036576501	SHOULDER SCREW		C	1	
31	A92E633100	Shaft		D	1	
32	A92E631400	Lever		D	1	
33	A92E631200	Mounting Plate		D	1	
34	4163529301	SCREW		C	1	
35	A92E631501	Guide		D	1	
36	A92E628201	Lever		D	1	
37	A92E629001	Torsion Coil spring		C	1	
38	A3GN623100	Guide		D	1	
39	4131305702	GUIDE		C	1	
40	4131305601	GUIDE PLATE		C	1	
41	A92E621102	Paper feed Cassette		D	1	
42	A92ER70400	Cassette ASSY		S	1	

Paper feed section (Tray 1)



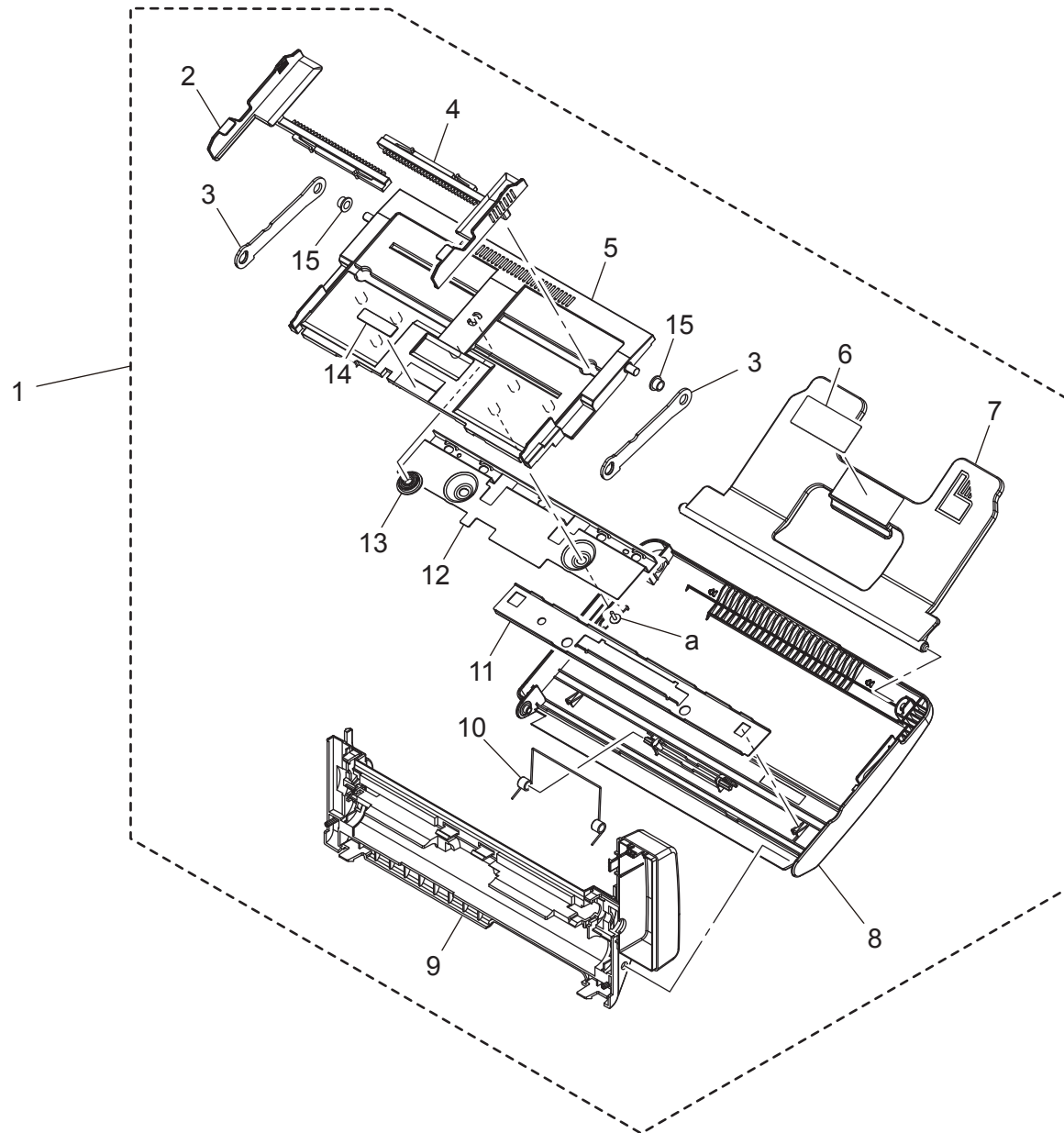
Key	Part No.	Description	Destinations	Class	QTY	Standard parts
1	A92E626400	Regulating Plate		D	1	a-V116030604 b-V153030803 c-V217040001 d-V153030804
2	A92E625400	Cushion		D	1	
3	A92E685300	Cushion		D	1	
4	A92E685100	Auxiliary Guide		D	1	
5	A92E625200	Auxiliary Guide		D	2	
6	A795622700	Compressing Spring		C	3	
7	A161943000	Label		C	1	
8	A92E626500	Lock Claw		D	1	
9	A92E626601	Lever		D	1	
10	A92E626700	Cover		D	1	
11	A7AH621000	Pulling Coil spring		C	1	
12	A92E626301	Regulating Plate		D	1	
13	4658301201	GEAR 14T		C	1	
14	A92E626101	Rack		D	1	
15	A92E624300	Cushion		D	1	
16	A3GN940500	Label		D	1	
17	A3GN628201	Paper feed Cover /Upper		C	1	
18	A3GN940201	Label		C	1	
19	A3GN628100	Paper feed Cover /Front		C	1	
20	A92E940100	Label Paper supply		D	1	
21	A92E627100	Adjusting Plate		D	1	
22	A92E629200	Adjusting Plate		D	1	
23	A92E621400	Mounting Plate		D	1	
24	A92E940401	Label FD metric		D	1	
25	A92E940501	Label FD inch A		D	1	
26	A92E627901	Holder		D	1	
27	A92E627801	Compressing Coil spring		C	1	
28	A92E627600	Holding Plate		D	1	
29	A92E626200	Rack		D	1	
30	A3GN621200	Ground Plate spring /A		D	1	
31	V800400032	FIXED LEAD RESISTORS		D	1	
32	A3GN621300	Ground Plate spring /B		D	1	
33	A92E940601	Label FD inch B		D	1	
34	A92E627701	Sheet		D	1	
35	A92E627500	Holder		D	1	
36	A92E627300	Lever		D	1	
37	A92E629301	Pulling Coil spring		C	1	
38	A02E940300	Label		C	2	
39	A92E628801	Pulling Coil spring		C	1	
40	A92E628701	Compressing Coil spring		C	1	
41	A92E628400	Lever		D	1	
42	A92E628600	Cover		D	1	
43	A92E628300	Lever		D	1	
44	A92E627401	Lever		D	1	
45	A92E628000	Lever		D	1	
46	A92E627202	Regulating Plate		D	1	
47	A92E940201	Label CD scale		D	1	

Paper feed section (Manual tray)



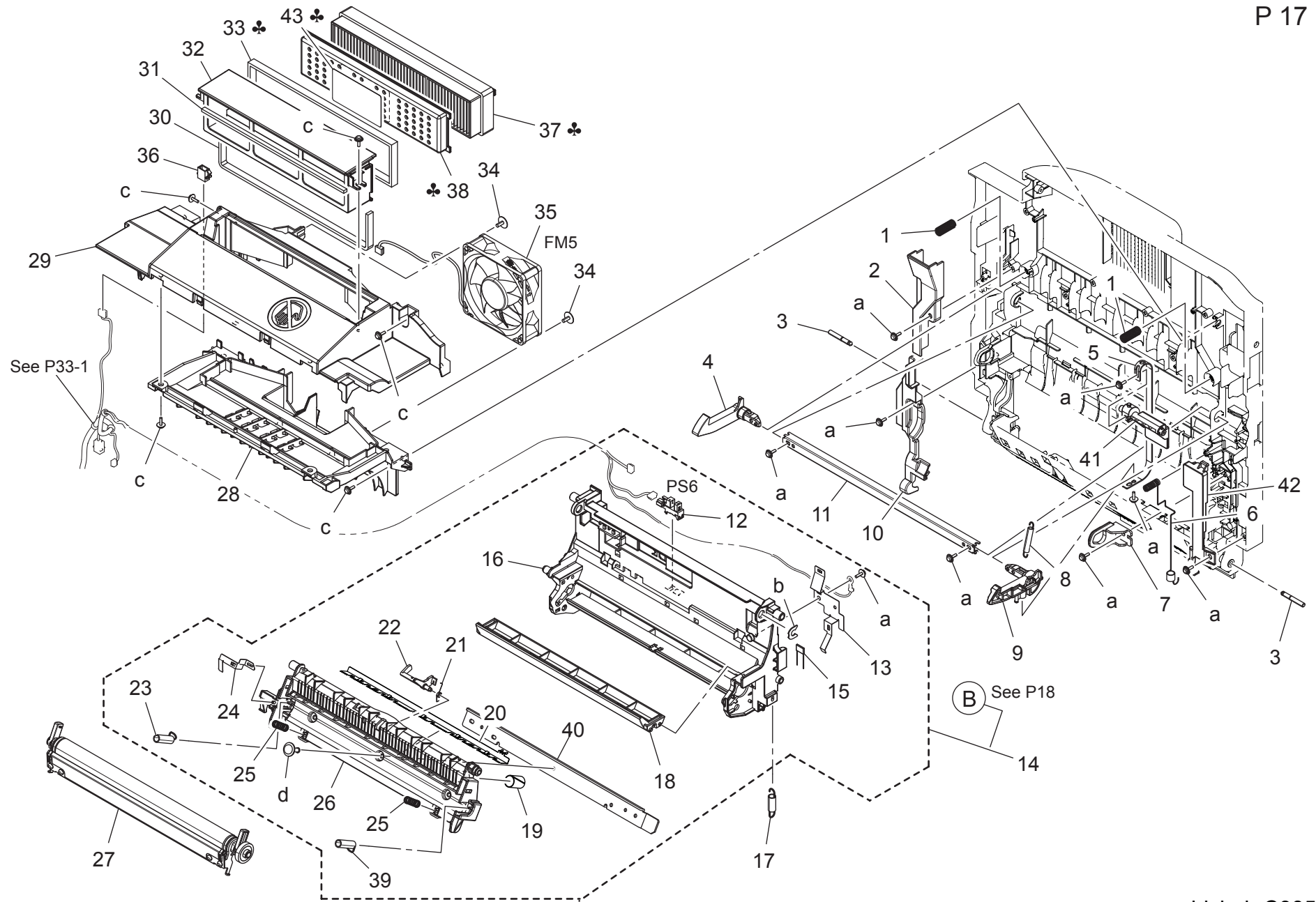
Key	Part No.	Description	Destinations	Class	QTY	Standard parts
1	A92ER70600	Manual Paper Feed ASSY		S	1	a-V217040003
2	A0VD561301	Gear 20T		D	1	b-V116030603
3	4131300301	BUSHING		C	4	c-V231200850
4	A92E593100	Ground Plate		D	1	d-V237201250
5	A92E590102	Paper feed Frame		D	1	e-V153030803
6	A92E590700	Gear 19T		C	2	f-V217030001
7	A92E591400	Gear 20T		C	2	g-V118030603
8	A92E590800	Shaft		D	1	h-V116030403
9	A92E594600	Shaft		D	1	k-V218030086
10	56AA40490	SHAFT STOPPER 4		C	4	
11	4138303202	ROLLER		B	1	
12	A8A1M10100	Brush motor		C	1	
13	A92E594400	Gear 21T		C	1	
14	A92E592200	Mounting Plate		D	1	
15	A92E594300	Gear 21T		C	1	
16	A92E592100	Worm Gear 30T		C	1	
17	A92E595600	Mounting Plate		D	1	
18	A92E594700	Gear 21/31T		C	1	
19	A92E594500	Gear 31T		C	1	
20	A92E591200	Ground Plate		D	1	
21	A92E591800	Shaft		D	1	
22	A92E591100	Gear 22T		C	1	
23	A0VD624800	Compressing Coil spring		C	1	
24	A92E590500	Guide		D	1	
25	A0VD561502	Guide		D	1	
26	A92E621000	Holder		D	1	
27	A92EV62001	Roller Assy		B	1	
28	A0VD560601	Torsion Coil spring		C	1	
29	A92E590900	Gear 22T		C	1	
30	A92E595401	Shaft		D	1	
31	A0VD561800	Guide		C	1	
32	4131305601	GUIDE PLATE		C	1	
33	A92E595301	Shaft		D	1	
34	A92E591000	Gear 22T		C	1	
35	A0VD560300	Actuator		C	1	
36	A92E940301	Label MPT		D	1	
37	A92EN10F00	Conveyance Wiring /2		D	1	
38	A5C1M50100	Photointerrupter		B	2	
39	A92E591700	Mounting Plate		D	1	

Paper feed section (Manual tray)



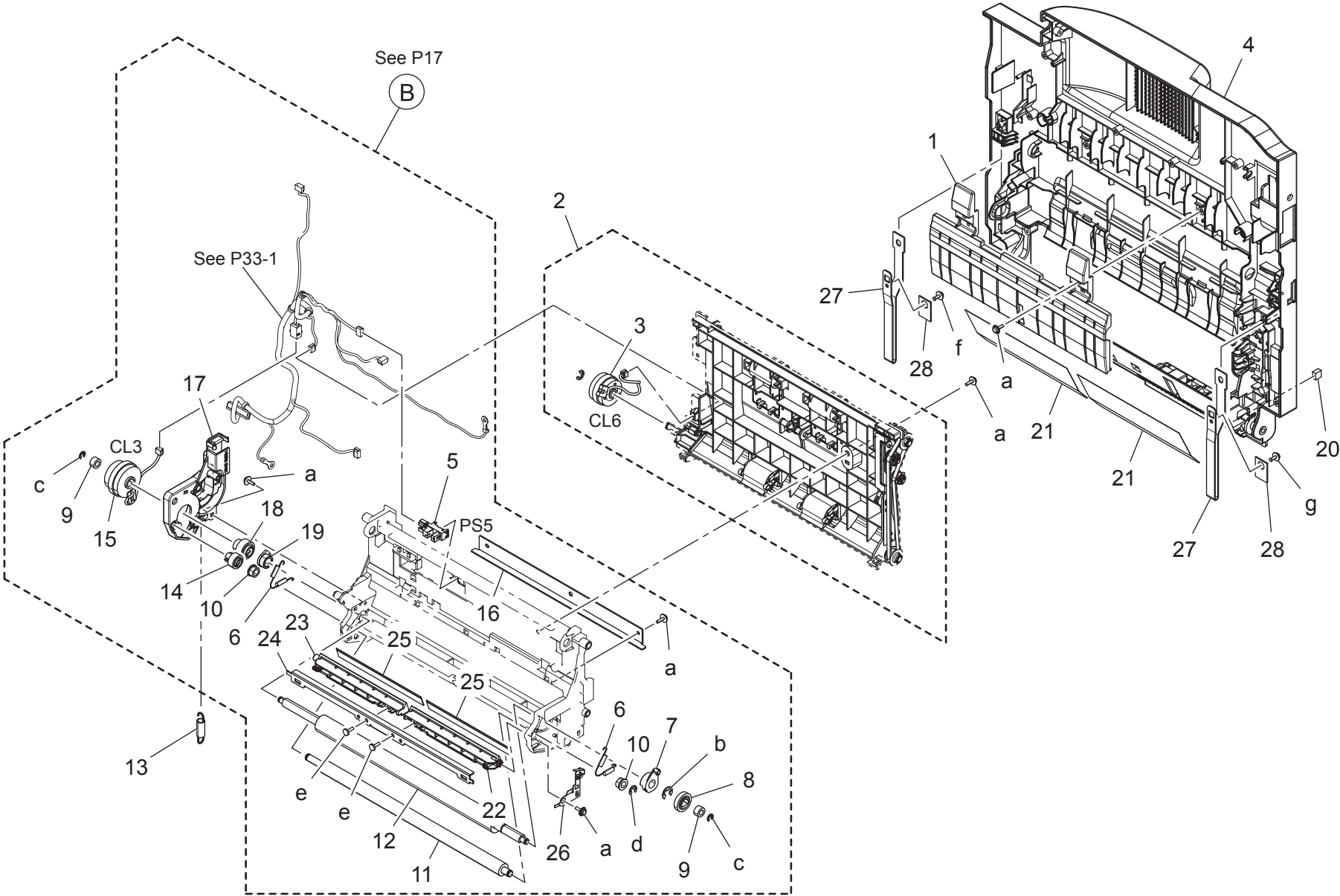
Key	Part No.	Description	Destinations	Class	QTY	Standard parts
1	A92ER70300	Manual Bypass ASSY		S	1	a-V153030803
2	A92E591900	Regulating Plate		D	1	
3	A92E590601	LEVER		D	2	
4	A92E592000	Regulating Plate		D	1	
5	A92E590302	Lifting Plate		D	1	
6	A3GN940500	Label		D	1	
7	A92E591600	Tray		D	1	
8	A92E590203	Bypass Tray		D	1	
9	A92E590403	Frame		D	1	
10	A92E592501	Torsion Coil spring		C	1	
11	A92E593000	Reinforce Plate		D	1	
12	A92E592400	Mounting Plate		D	1	
13	4131302702	GEAR 14T		C	1	
14	4138325501	FRICITION SHEET		C	1	
15	4120301901	COLLAR		C	2	

Transfer section (2nd transfer)



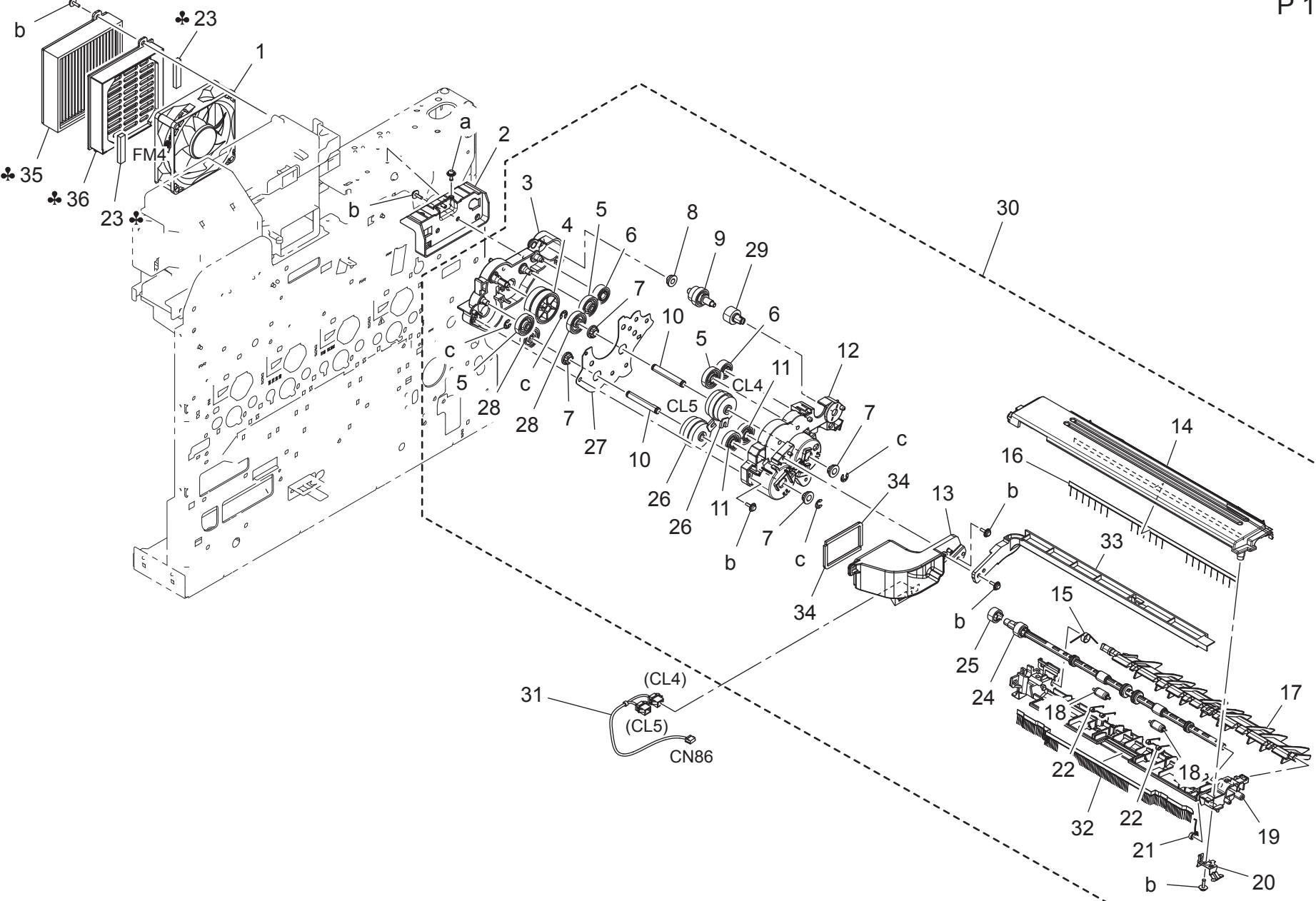
Key	Part No.	Description	Destinations	Class	QTY	Standard parts
1	A0VD164000	Compressing Coil spring		C	2	a-V153030803 b-V218060086 c-V153030804 d-V137030803
2	A3GN812400	Cover		D	1	
3	A0VD162101	Shaft		D	2	
4	A0VD163400	Lever /Rear		D	1	
5	A92E813401	Connecting Part		D	1	
6	A92E813900	Compressing Coil spring		C	1	
7	A0VD161100	Holder		D	1	
8	A0VD163500	Pulling Coil spring		C	1	
9	A92E813600	Lock Claw /Front		D	1	
10	A0VD162400	Wiring Cover		D	1	
11	A0VD163200	Mounting Plate		D	1	
12	A5C1M50100	Photointerrupter		B	1	
13	A3GN702811	Ground Plate		D	1	
14	A92ER70700	Conveyance ASSY		S	1	
15	V800400032	FIXED LEAD RESISTORS		D	1	
16	A92E703300	Holder		D	1	
17	A0VD703700	Pulling Coil spring		D	1	
18	A0VD702700	Guide Plate		D	1	
19	A0VD701301	Compressing Coil spring		C	1	
20	A3GN701800	Neutralizing Part		D	1	
21	A0VD700302	Torsion Coil spring		C	1	
22	A0VD700202	Actuator		C	1	
23	A3GN700500	Compressing Spring		C	1	
24	A3GN701100	Contact		D	1	
25	A3GN708101	Compressing Spring		C	2	
26	A3GN700100	Holder		D	1	
27	A4Y5WY3	2nd Transfer Roller Unit		A	1	
28	A92E813200	Duct		D	1	
29	A92E816000	Cover		D	1	
30	A92E816700	Seal		D	1	
31	A92E816800	Seal		D	1	
32	A92E816300	Holder		D	1	
33	A92E817500	Sealing Part /Side	B,G2,H	D	1	
34	4163529301	SCREW		C	2	
35	4139M10000	Fan motor		B	1	
36	V651010002	connector		D	1	
37	A92E816600	Filter	C,I(SOUTH AFRICA)	C	1	
38	A92E817400	Filter Holder	B,G2,H	D	1	
39	A3GN700700	Compressing Coil spring		C	1	
40	A3GN700800	Reinforce Plate		D	1	
41	A92E813501	Release Lever		D	1	
42	A92E812500	Cover		D	1	
43	A92E817600	Sheet	B,G2,H	D	1	

Duplex section



Key	Part No.	Description	Destinations	Class	QTY	Standard parts
1	A3GN813700	Guide		D	1	a-V153030803 b-V217060001 c-V217030001 d-V217040001 e-V149030803 f-V116030803 g-V116031004
2	A3GNR70800	DUP Conveyance Assy		C	1	
3	A2YFM20000	Clutch		C	1	
4	A92E810102	Open/close Cover		D	1	
5	A5C1M50100	Photointerrupter		B	1	
6	A0VD702501	Pulling Coil spring		D	2	
7	A3GN702300	Bushing		C	1	
8	A0VD235301	Gear 16T		C	1	
9	4138352802	ROLL		C	2	
10	4138353202	BUSHING		C	2	
11	A3GN702900	Roller		C	1	
12	A3GN702100	Roller		C	1	
13	A0VD703700	Pulling Coil spring		D	1	
14	A0VD703001	Gear 15T		D	1	
15	A011M20000	CLUTCH		C	1	
16	A3GN703400	Reinforce Plate		D	1	
17	A0VD705303	Mounting Plate		D	1	
18	A0VD703501	Gear 20T		D	1	
19	A0VD702400	Bushing		D	1	
20	A92E812000	Seal		D	1	
21	A92E811600	Guide		D	2	
22	A92E708000	Guide /1		D	1	
23	A92E708100	Guide /2		D	1	
24	A92E708200	Reinforce Plate		D	1	
25	A92E708300	Guide Sheet		D	2	
26	A92E702600	Ground Plate		D	1	
27	A3GN812300	Open/close Stopper		C	2	
28	A3GN812200	Reinforce Spacer		C	2	

Duplex reverse drive section

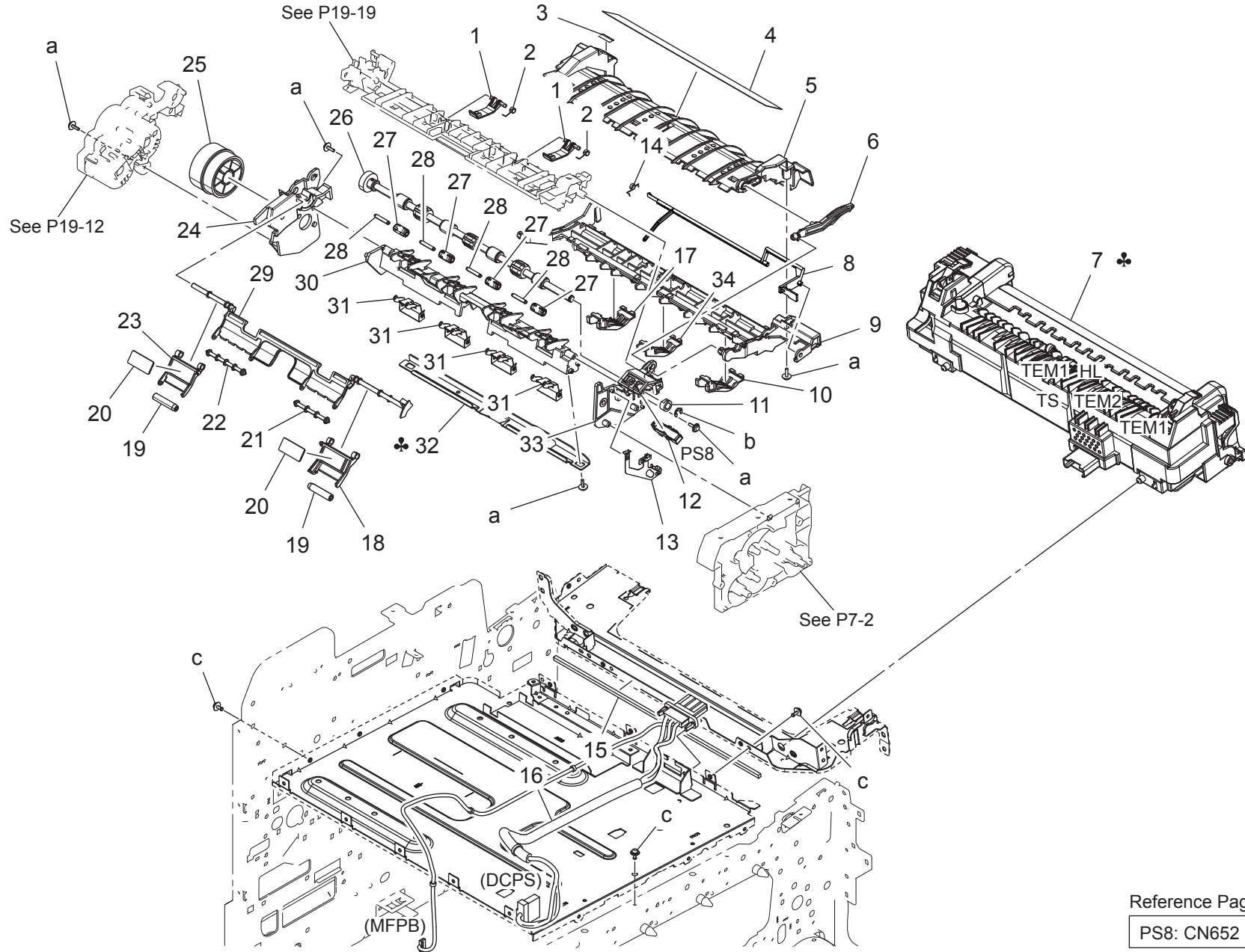


Duplex reverse drive section

Key	Part No.	Description	Destinations	Class	QTY	Standard parts
1	4139M10000	Fan motor		B	1	a-V116030803 b-V153030803 c-V217040003
2	A3GN817000	Mounting Plate		D	1	
3	A3GN822200	Drive Holder /B		D	1	
4	A0VD822600	Gear 36/37T		C	1	
5	A0VD822800	Gear 23T		D	3	
6	A0VD822700	Gear 19T		D	2	
7	A00F813000	Bushing		C	4	
8	A00F813100	Roll		C	1	
9	A3GN823500	Torque limiter ASSY		C	1	
10	A3GN822901	Shaft		D	2	
11	A0VD822400	Gear 18T		D	2	
12	A3GN822100	Drive Holder /A		D	1	
13	A92E814000	Duct		D	1	
14	A72R820400	Guide /Upper		C	1	
15	A0VD820700	Torsion Coil spring		C	1	
16	A3GN825100	Neutralizing Brush		D	1	
17	A72R825600	Guide		D	1	
18	A0VD820200	Roll		C	2	
19	A72R892301	Guide /Lower		D	1	
20	A72R820900	Contact		D	1	
21	A72R825200	Torsion Coil spring		C	1	
22	A0VD820300	Torsion Coil spring		C	2	
23	A92E814100	Seal	B,G2,H	D	2	
24	A3GN820100	Reverse/exit Roller		C	1	
25	A0VD821100	Gear 14T		D	1	
26	A2YFM20000	Clutch		C	2	
27	A0VD822300	Drive Side plate		D	1	
28	A0VD822500	Gear 24T		C	2	
29	A0VD823300	Clutch		C	1	
30	A92GR70100	DUP Reverse Drive ASSY		S	1	
31	A3GNN10400	Relay Wiring		D	1	
32	A72R825100	Neutralizing Brush		D	1	
33	A92E814200	Duct		D	1	
34	A92E142200	Seal		D	2	
35	A92E142300	Filter	C,I(SOUTH AFRICA)	C	1	
36	A92E142401	Filter Holder	B,G2,H	D	1	

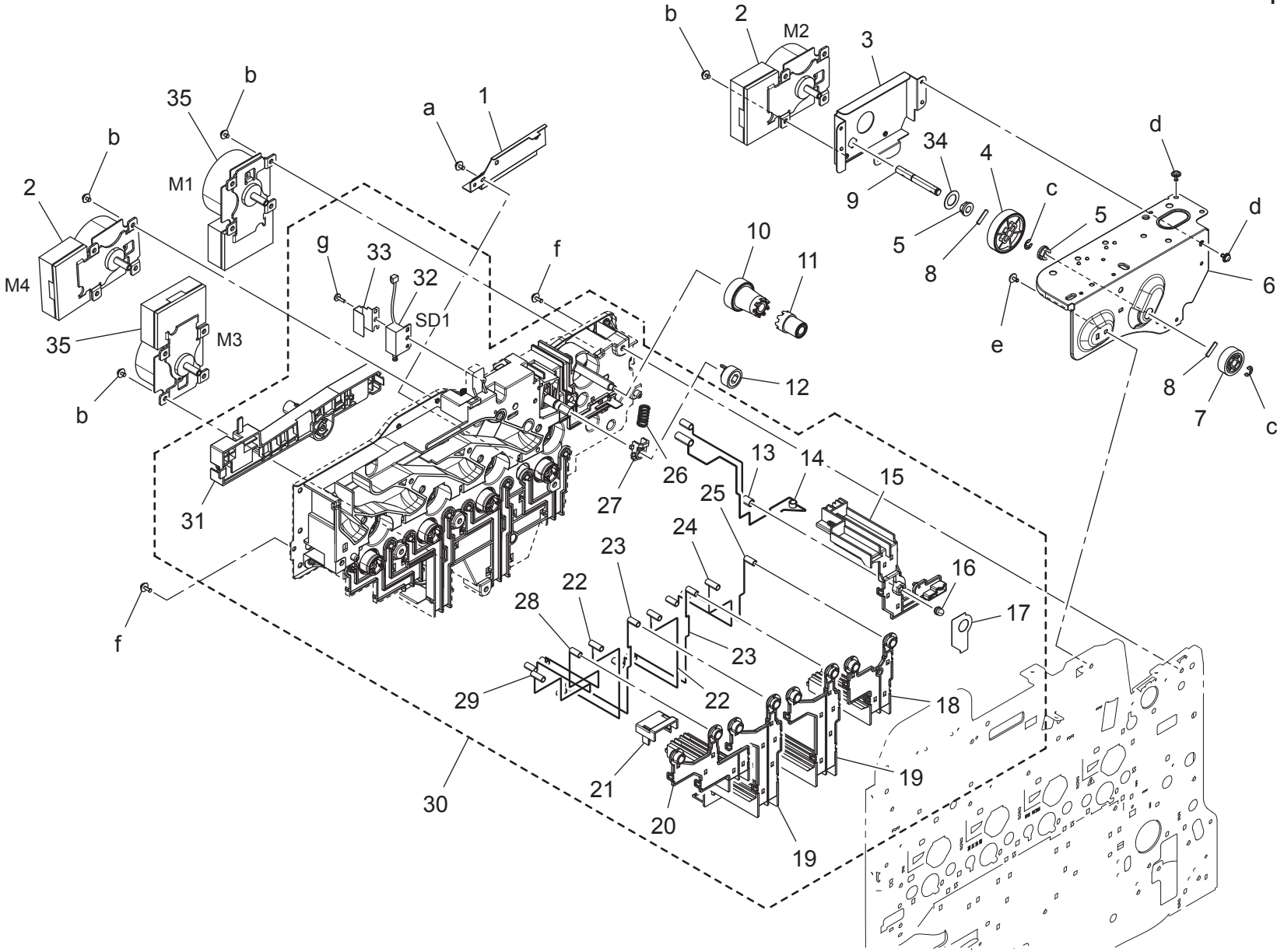
Fusing/ Paper exit section

P 20



Key	Part No.	Description	Destinations	Class	QTY	Standard parts
1	A72R890300	Holding Lever		C	2	a-V153030803 b-V217040001 c-V125030818
2	A72R892500	Torsion Coil spring		C	2	
3	A0VD949100	Label JAM		D	1	
4	A3GN948300	Label Hi-Temp Caution/Jam		D	1	
5	A121902500	Guide		D	1	
6	A121893002	Lever		C	1	
7	A4Y5W12	Fusing Unit 120V	B,G2,H	A	1	
7	A4Y5W22	Fusing Unit 230V	C,I	A	1	
8	A6DR892300	Actuator		D	1	
9	A3GN892102	Guide		D	1	
10	A3GN893700	Paper exit Guide /Front		D	1	
11	A0P0364000	Bushing		C	1	
12	A5C1M50100	Photointerrupter		B	1	
13	A72R892700	Ground Contact		D	1	
14	A0VD892400	Torsion Coil spring		D	1	
15	A3GN146300	Seal		D	1	
16	A92EN10300	Fixing Relay harness		D	1	
17	A3GN893600	Paper exit Guide /Rear		D	1	
18	A72R890400	Holding Plate /Front		C	1	
19	A72R890700	Roll		C	2	
20	A72R890600	Holding Weight		D	2	
21	A72R890800	Roll		C	1	
22	A72R890900	Roll		C	1	
23	A72R890500	Holding Plate /Rear		C	1	
24	A72R892001	Paper exit Holder /K		D	1	
25	A0VD890800	Gear 38/40T		D	1	
26	A72R890100	Paper exit Roller		C	1	
27	A72R891300	Paper exit Roll		C	4	
28	A72R895500	Shaft		D	4	
29	A72R890201	Actuator		C	1	
30	A72R895300	Paper exit Holder		D	1	
31	A72R891200	Spring		D	4	
32	A72R895100	Reinforce Plate	C,I	D	1	
32	A72R895200	Reinforce Plate	B,G2,H	D	1	
33	A72R892100	Paper exit Holder /HK		D	1	
34	A3GN893500	Paper exit Guide /Middle		D	1	

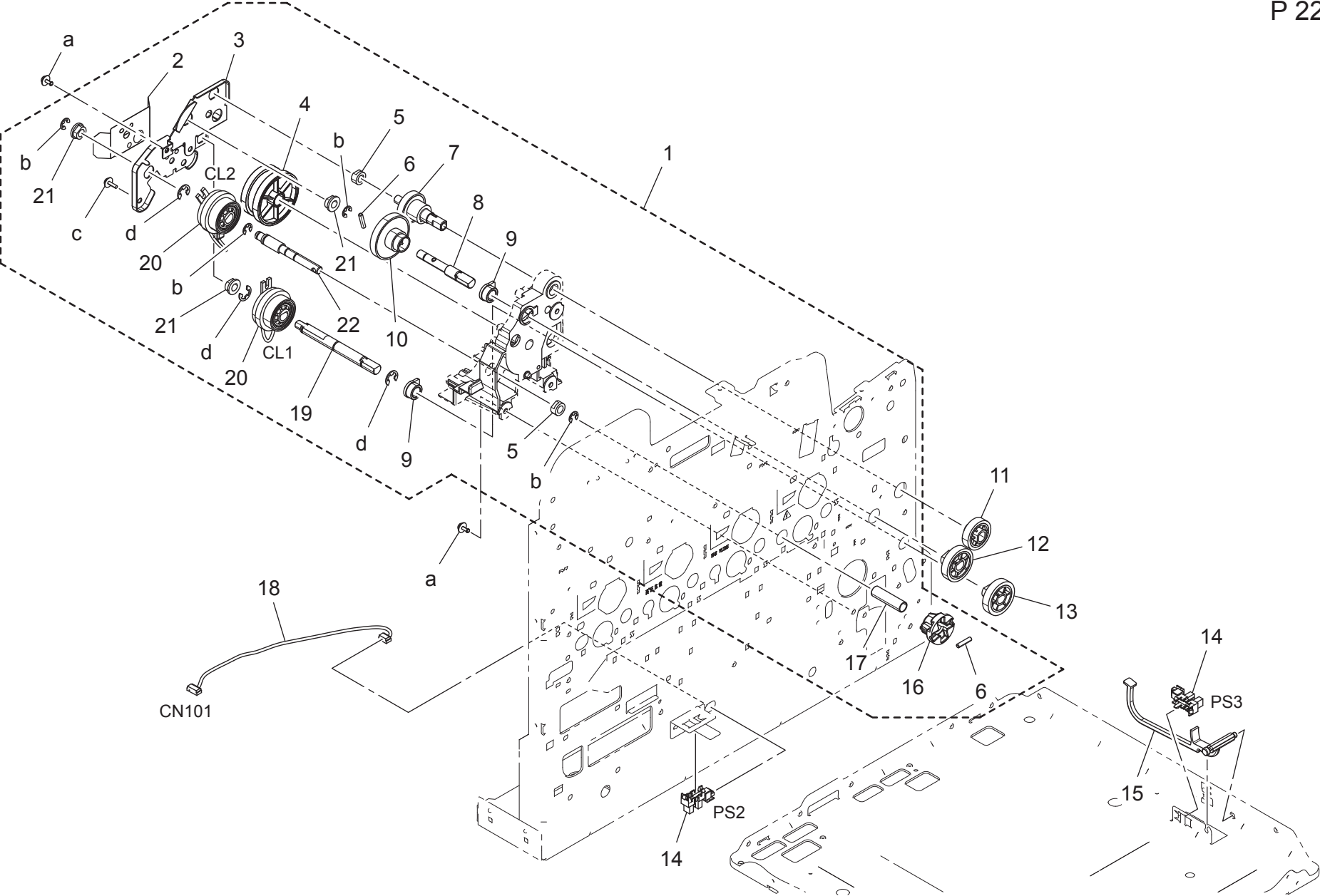
Main drive section



Main drive section

Key	Part No.	Description	Destinations	Class	QTY	Standard parts
1	A3GN210800	Cover		D	1	a-V116030603 b-V116030504 c-V217040050 d-V137030603 e-V144030603 f-V116030803 g-V149030803
2	A61DM10200	brushless Motor /20		I	2	
3	A3GN223000	Fusing Panel		D	1	
4	A3GN220200	Drive Gear 68T		C	1	
5	A00F213900	Bearing		C	2	
6	A3GN223302	Fusing Panel		D	1	
7	A0VD218301	Gear 21T		C	1	
8	4036301401	PIN		C	2	
9	A3GN223400	Shaft		D	1	
10	A92E212500	Gear 32T		C	1	
11	A92E212400	Gear 16T		C	1	
12	A0VD219800	Gear 20T		C	1	
13	A3GN130700	Contact		D	1	
14	A3GN130601	Bias Contact		D	1	
15	A3GN131200	Holder		D	1	
16	A0VD133300	Shaft		D	1	
17	A3GN136000	Insulating Sheet		D	1	
18	A3GN130900	Holder		D	1	
19	A3GN131000	Holder		D	2	
20	A3GN131400	Holder		D	1	
21	A3GN131100	Cover		D	1	
22	A3GN131900	Contact		D	2	
23	A3GN131700	Contact		D	2	
24	A3GN131800	Contact		D	1	
25	A3GN131600	Contact		D	1	
26	A0VD220300	Compressing Coil spring		D	1	
27	A3GN213300	Bushing		D	1	
28	A3GN135600	Contact		D	1	
29	A3GN135700	Contact		D	1	
30	A92ER70000	Main Drive ASSY		S	1	
31	A3GN134001	Holder		D	1	
32	A034M20000	Paperfeed Solenoid		C	1	
33	A3GN708000	Protection Part		D	1	
34	A02E193000	Washer		C	1	
35	A61DM10400	brushless Motor /40		I	2	


Paper feed drive section

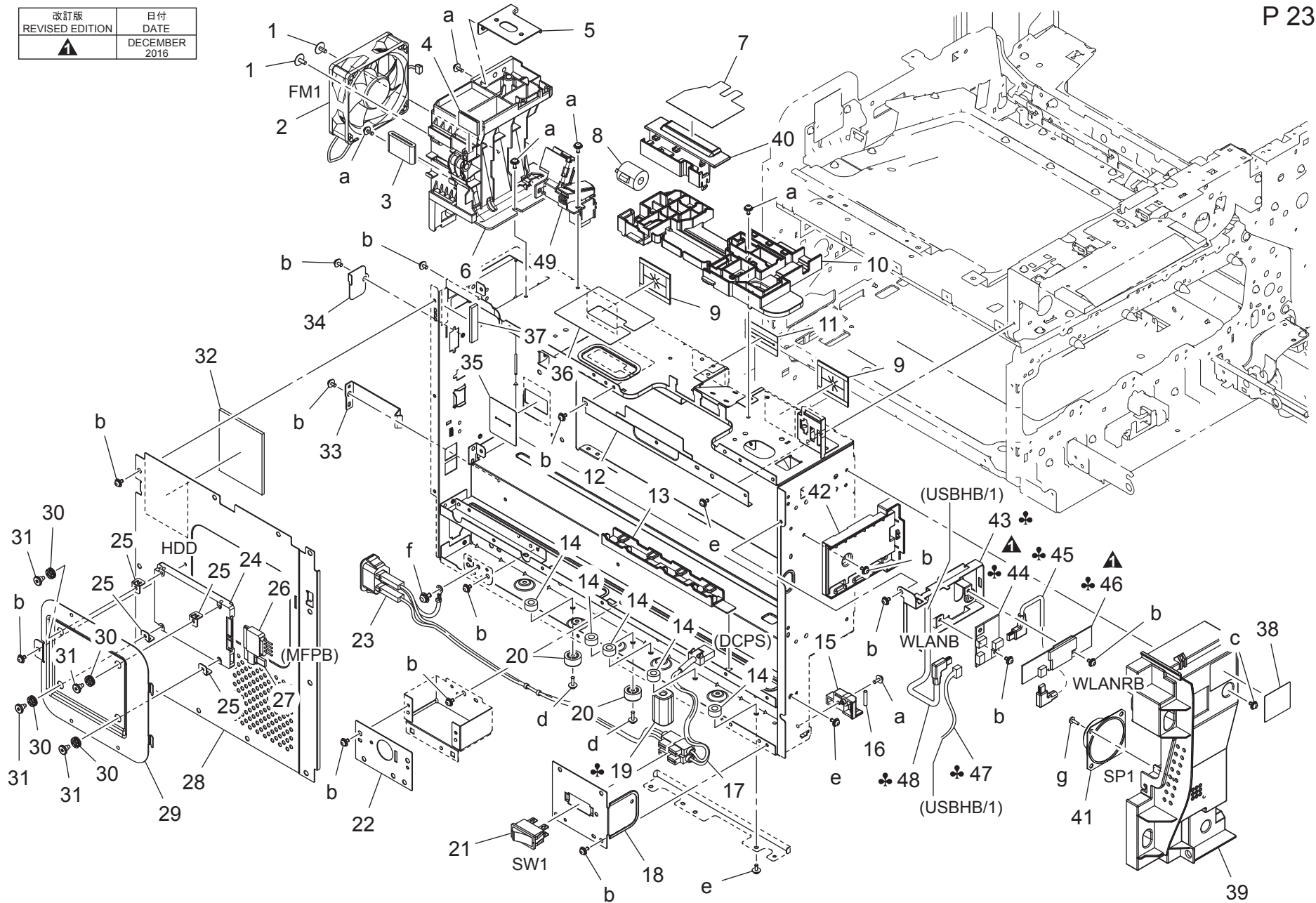


Paper feed drive section

Key	Part No.	Description	Destinations	Class	QTY	Standard parts
1	A92ER70100	Paper Feed Drive ASSY		S	1	a-V125030818 b-V217040001 c-V153030803 d-V217060001
2	A3GN217000	Guide Sheet		C	1	
3	A0VD233102	Mounting Plate		D	1	
4	A0VD230400	Gear 38/65T		C	1	
5	4036473001	BUSHING		C	2	
6	4036301401	PIN		C	2	
7	A0VD231101	Gear 36T		C	1	
8	A0VD230800	Shaft		D	1	
9	A0VD702400	Bushing		D	2	
10	A0VD230301	Gear 23/55T		C	1	
11	A0VD231200	Gear 22T		D	1	
12	A0VD230901	Gear 25T		C	1	
13	A0VD233301	Gear 20T		C	1	
14	A5C1M50100	Photointerrupter		B	2	
15	A0VD624100	Lever		C	1	
16	A92E693000	Connecting Claw		C	1	
17	4138259701	PRESSURE SPRING		C	1	
18	A92EN10B00	Sensor Relay harness		D	1	
19	A0VD230501	Shaft		D	1	
20	A02EM20000	Clutch		B	2	
21	4134588202	BUSHING		D	3	
22	A0VD230101	Shaft		D	1	


Electrical components

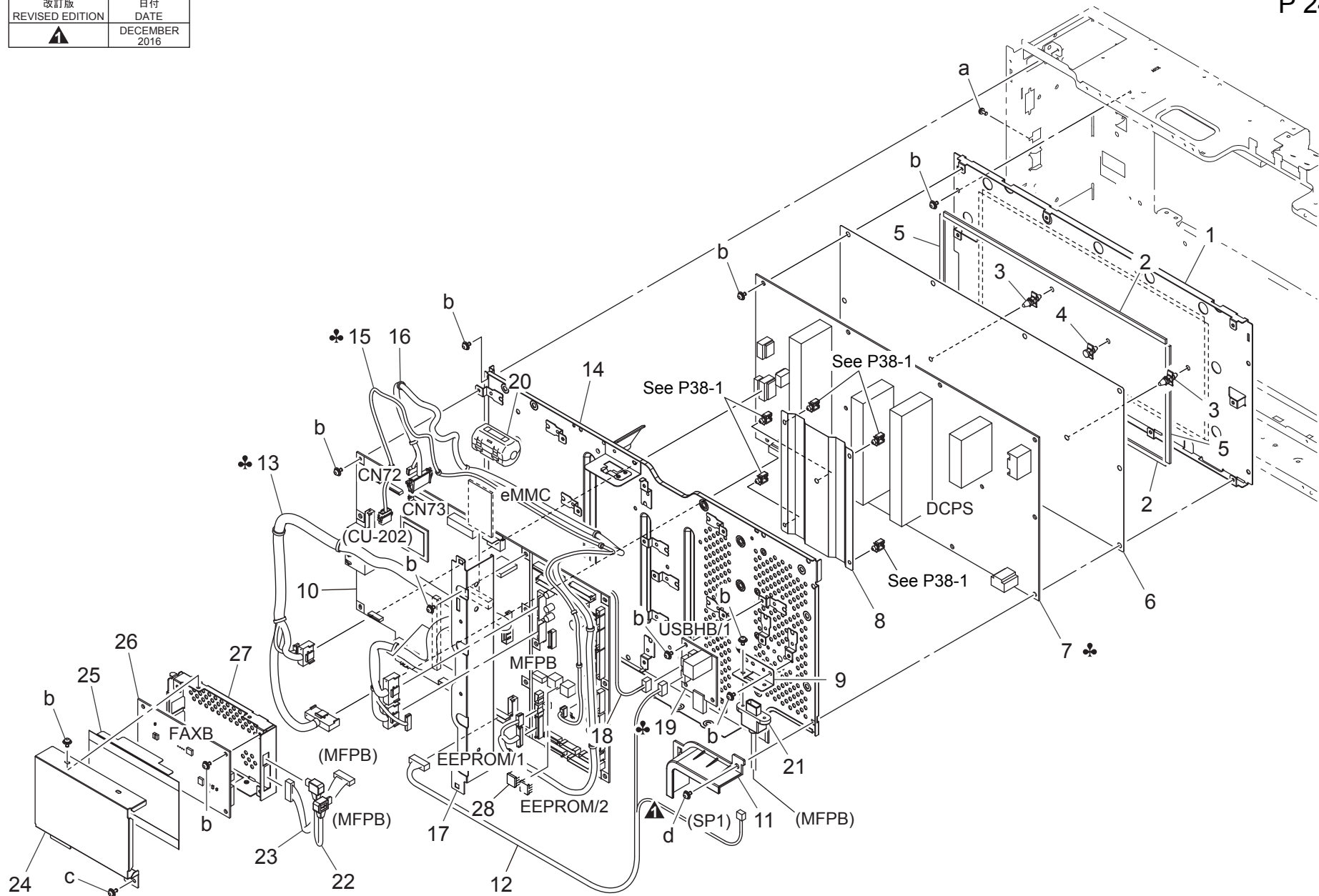
改訂版 REVISED EDITION	日付 DATE
	DECEMBER 2016



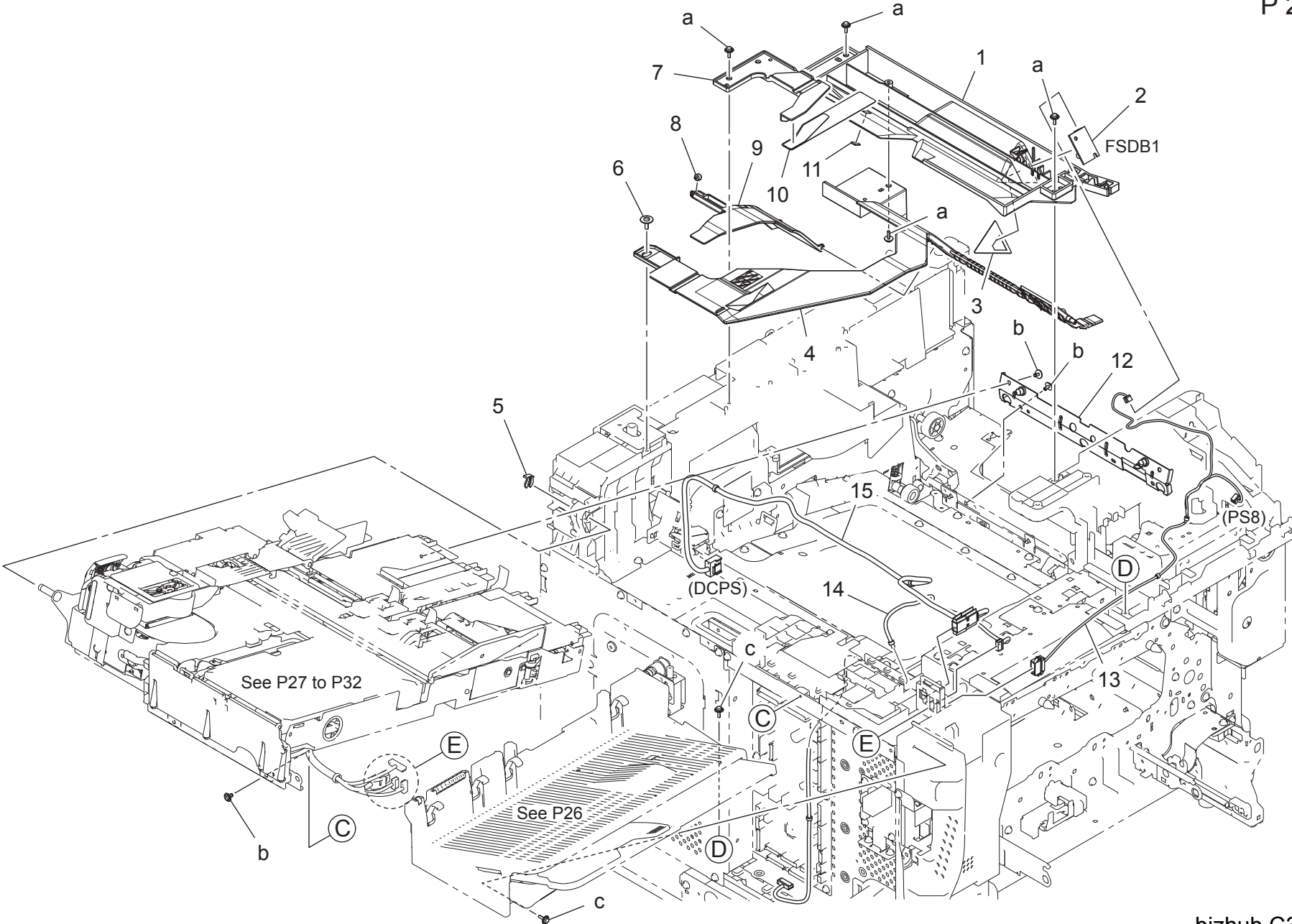
Key	Part No.	Description	Destinations	Class	QTY	Standard parts
1	4163529301	SCREW		C	2	a-V116030803
2	4139M10000	Fan motor		B	1	b-V116030603
3	A3GNM93100	Ferrite core		D	1	c-V116030604
4	A3GNM93200	Ferrite core		D	1	d-V116031003
5	A3GN145800	Hold Plate		D	1	e-V125030818
6	A72R142202	Hold Duct /Left rear		D	1	f-V116040803
7	A92E133400	Protection Seal		D	1	g-V149030803
8	A3GNM71C00	Ferrite core		D	1	
9	A92E134400	Seal		D	2	
10	A92E133700	Guide		D	1	
11	A92E134300	Seal		D	1	
12	A92E133000	Mounting Plate		D	1	
13	A92E132800	Guide		D	1	
14	1154467001	PROTECTION		C	5	
15	A92E133801	Guide		D	1	
16	4036254901	PIN		D	1	
17	A92EN10900	AC Wiring /2		D	1	
18	A92E132200	Mounting Plate		D	1	
19	A3EWM90300	Ferritecore	B,G2,H	D	1	
20	0996305501	RUBBER FOOT		C	2	
21	A034M60200	Rocker switch		C	1	
22	A92E134700	Mounting Plate		D	1	
23	A92EN10800	AC Wiring /1		D	1	
24	A2X0M72C00	HDD		I	1	
25	A5C1134111	Spacer		D	4	
26	A92EN12A00	Power source Cable /H		D	1	
27	A92EN12900	I/F Cable /S		D	1	
28	A92E132600	Shield Plate		D	1	
29	A92E132900	Shield Plate		D	1	
30	A4EU138000	Support Rubber		D	4	
31	A5C1134200	Shoulder screw		D	4	
32	A92E135300	Insulating Part /1		D	1	
33	A3GN621701	Lock Plate spring		D	1	
34	A92E134500	Shield Plate		D	1	
35	A3GN132900	Seal		D	1	
36	A92E136400	Protection Sheet		D	1	
37	A92E135400	Insulating Part /2		D	1	
38	A92E401200	Label Toner		D	1	
39	A92E138100	Cover /Left front		D	1	
40	A92E133300	Guide		D	1	
41	A0P0M73100	Speaker		D	1	
42	A92E134200	Mounting Rail		D	1	
43	A92E134100	Mounting Plate		D	1	
44	A9W7H02F02	PWB assemble(PWB-WLAN)	B,G2,H	I	1	
45	A9W7N15801	Interface Cable	B,G2,H	D	1	
46	A9W7M72F02	Interface Board	B,G2,H	I	1	
47	A92EN12200	Power source Cable /W	B,G2,H	D	1	
48	A92EN12700	I/F Cable /W	B,G2,H	D	1	
49	A72R133000	Guide		D	1	

Electrical components

改訂版 REVISED EDITION	日付 DATE
	DECEMBER 2016

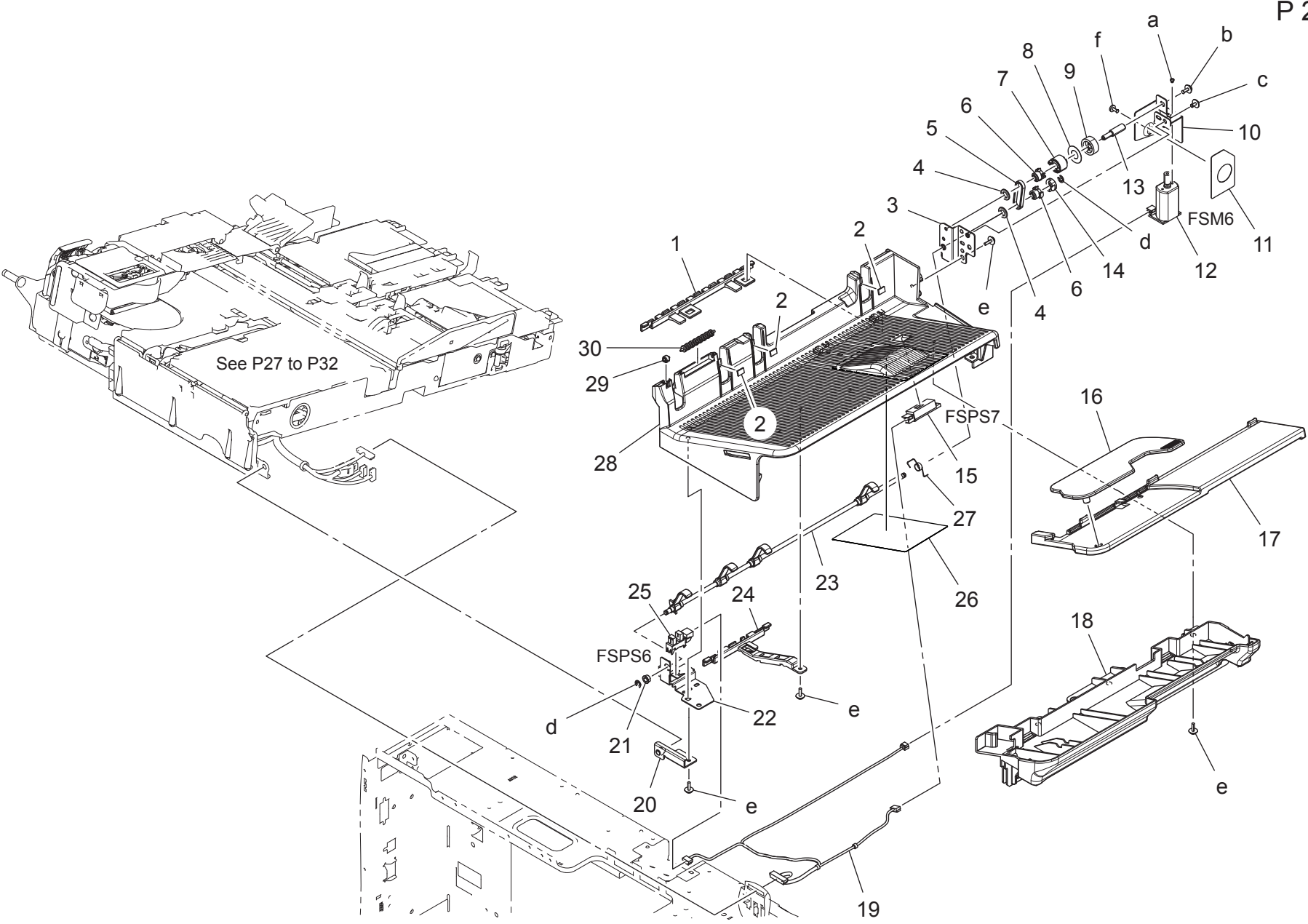


Key	Part No.	Description	Destinations	Class	QTY	Standard parts
1	A3GN130000	Mounting Plate		D	1	a-V122030603 b-V116030603 c-V125030818 d-V116030804
2	A92E134800	Seal		D	2	
3	V502010045	PCB Support		D	2	
4	V502010029	spacer		D	1	
5	A92E134900	Seal		D	2	
6	A3GN136100	Insulating Sheet		C	1	
7	A3GNM40000	DC Power source (100-127V)	B,G2,H	I	1	
7	A3GNM40102	DC Power source (220-240V)	C,I	I	1	
8	A3GN136200	Insulating Sheet		C	1	
9	A92E134000	Mounting Plate		D	1	
10	A92EH02102	PWB assemble(PWB-MFP)		I	1	
11	A92E133200	Guide		D	1	
12	A92EN12000	Power source Cable /1		D	1	
13	A92FN10000	Power supply Wiring		D	1	
14	A92E132500	Mounting Plate		D	1	
15	A92EN10G00	Relay Wiring /2		D	1	
16	A92EN10700	Polygon Relay harness	C,I(SOUTH AFRICA)	D	1	
17	A92E132700	Mounting Plate		D	1	
18	A92EN12100	Power source Cable /2		D	1	
19	A9FRH01000	PWB assembly(PWB-HUB/1)	B,G2,H	I	1	
20	A5C1M92100	Ferritecore		D	1	
21	A92EN12500	I/F Cable /1		D	1	
22	A92EN12800	I/F Cable /F		D	1	
23	A92EN12300	Power source Cable /F		D	1	
24	A92E137200	Cover		D	1	
25	A92E137300	Insulating Part		D	1	
26	A879H01W03	FAX Assembly		I	1	
27	A92E137100	Mounting Plate		D	1	
28	V864800076	EEPROM		C	1	



Key	Part No.	Description	Destinations	Class	QTY	Standard parts
1	A63D700400	Guide		D	1	a-V153030803 b-V144030603 c-V153030804
2	A63DH00A00	PWB Assembly		C	1	
3	A63D705900	Exposure Cover		C	1	
4	A63D704602	Guide		C	1	
5	1033440203	STOPPER RING		C	1	
6	A0WG337701	Screw		C	1	
7	A63D705700	Regulating Guide		C	1	
8	A63D901300	Roll		C	1	
9	A63D704700	Guide		C	1	
10	A63D705800	Guide Sheet		C	1	
11	A63D704400	Cushion		C	1	
12	A72R100300	Positioning Plate		D	1	
13	A72RN10300	FNS Relay harness		D	1	
14	A92GN10200	FNS Relay harness		D	1	
15	A92GN10100	Power supply Relay harness		D	1	

Finisher section

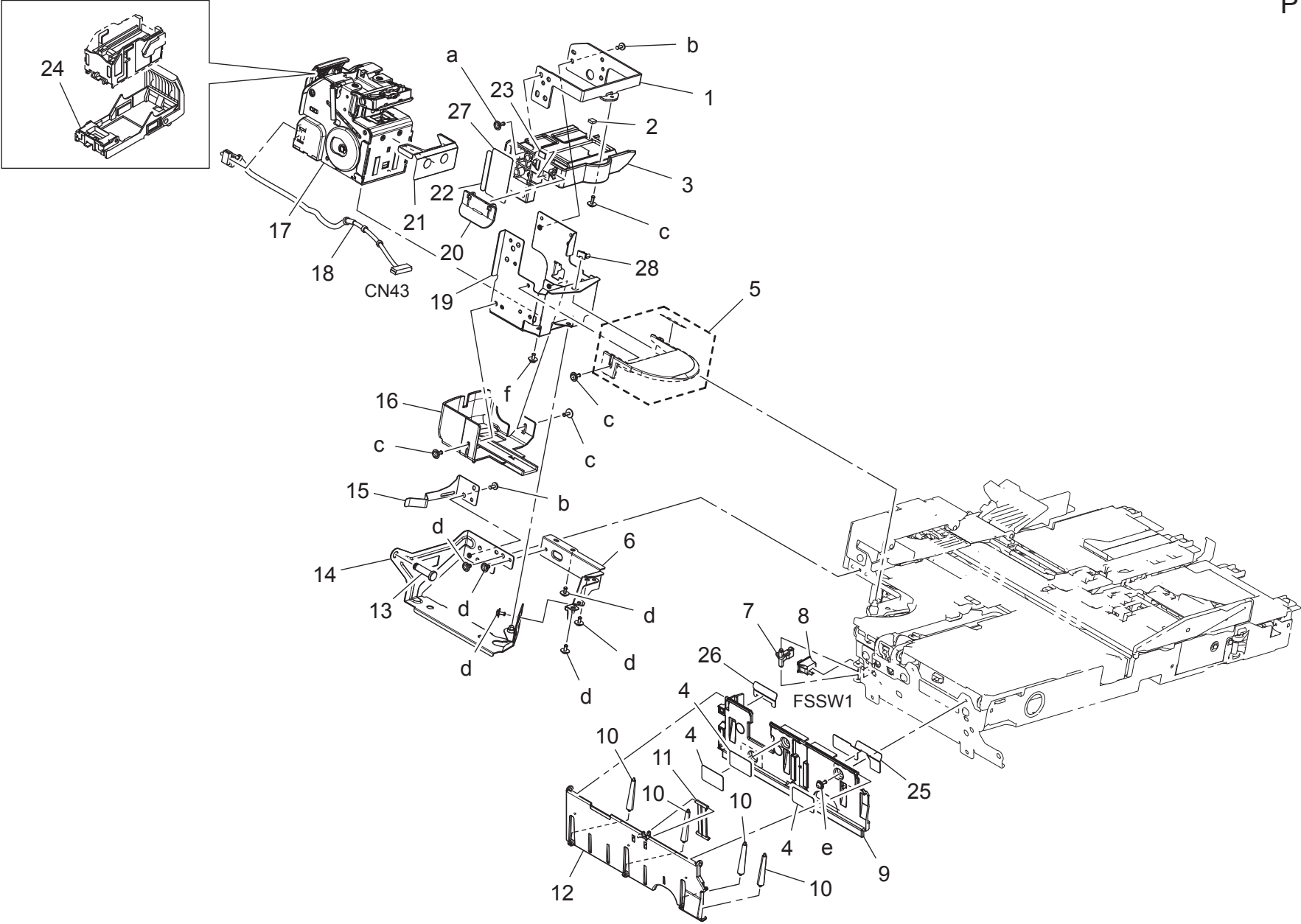


See P27 to P32

Finisher section

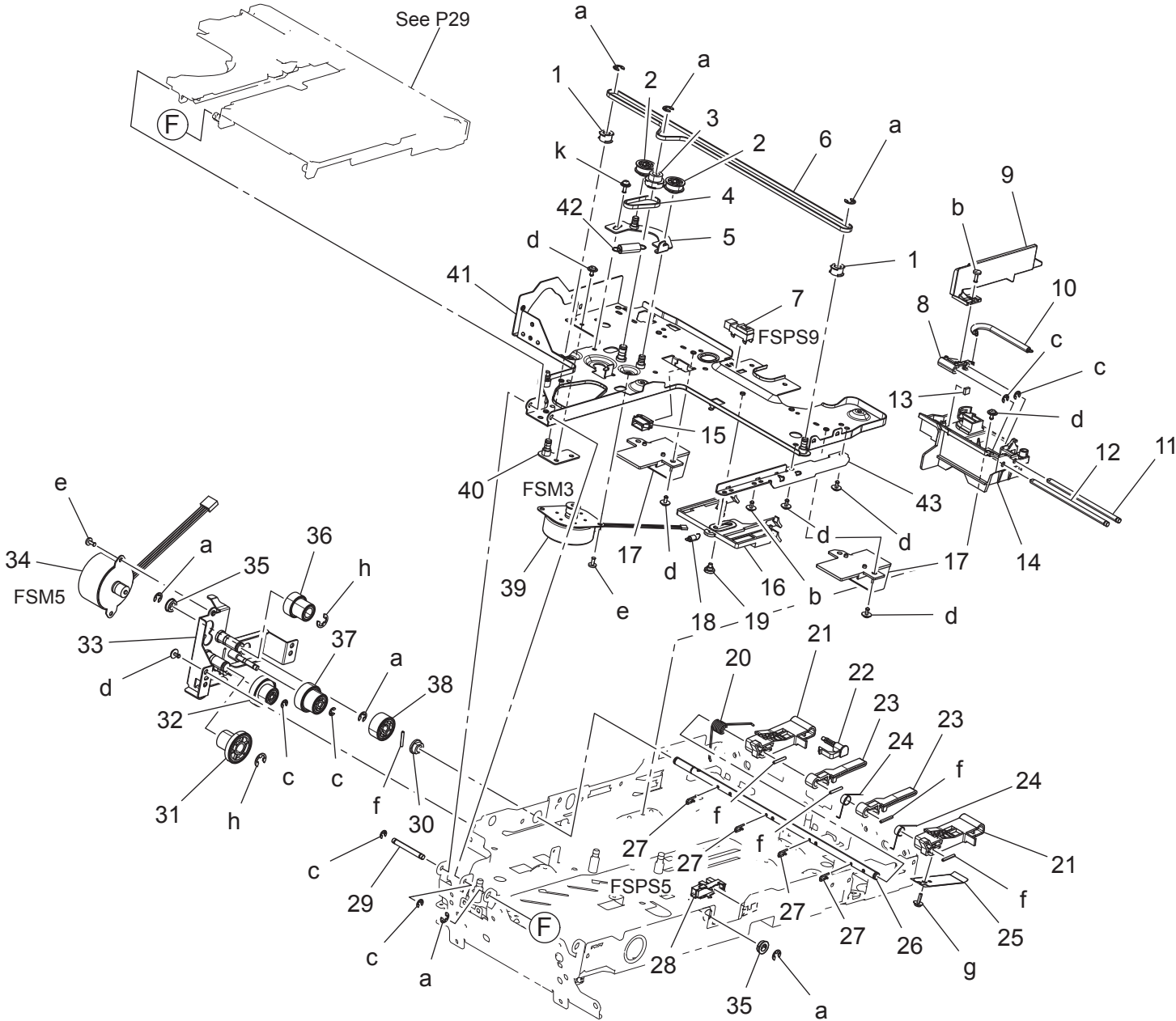
Key	Part No.	Description	Destinations	Class	QTY	Standard parts
1	A63D901500	Wiring Guide		D	1	a-V111020203 b-V116030803 c-V144030603 d-V217030001 e-V153030803 f-V136030603
2	A63D704400	Cushion		C	3	
3	A63D892000	Mounting Plate		D	1	
4	A63D892300	Flange		C	2	
5	A63D892400	Timing belt 72L		C	1	
6	A63D891200	Pulley 14T		C	2	
7	A63D892500	Torque limiter		C	1	
8	A63D893300	Spacer		C	1	
9	A63D891300	Gear 30T		C	1	
10	A63D892100	Mounting Plate		D	1	
11	A63D893100	Cover		C	1	
12	A63DH00503	Brush motor		C	1	
13	A63D891700	Shaft		D	1	
14	A63D891100	Rotation Holder		D	1	
15	A108M50000	Photoreflector		B	1	
16	A63D900300	Tray		C	1	
17	A63D900100	Tray		C	1	
18	A63D901001	Tray		C	1	
19	A63DN11601	FNS Relay harness		D	1	
20	A63D901100	Positioning Shaft		D	1	
21	A1RF846400	Bushing /A		C	1	
22	A63D892201	Mounting Plate		D	1	
23	A63D890101	Holding Part		C	1	
24	A63D900200	Wiring Guide		D	1	
25	A5C1M50100	Photointerrupter		B	1	
26	A63D901700	Protection Sheet		C	1	
27	A63D892712	Torsion Coil spring		C	1	
28	A63D900012	Tray		C	1	
29	A63D901300	Roll		C	1	
30	A63D901200	Roll		C	1	

Finisher section

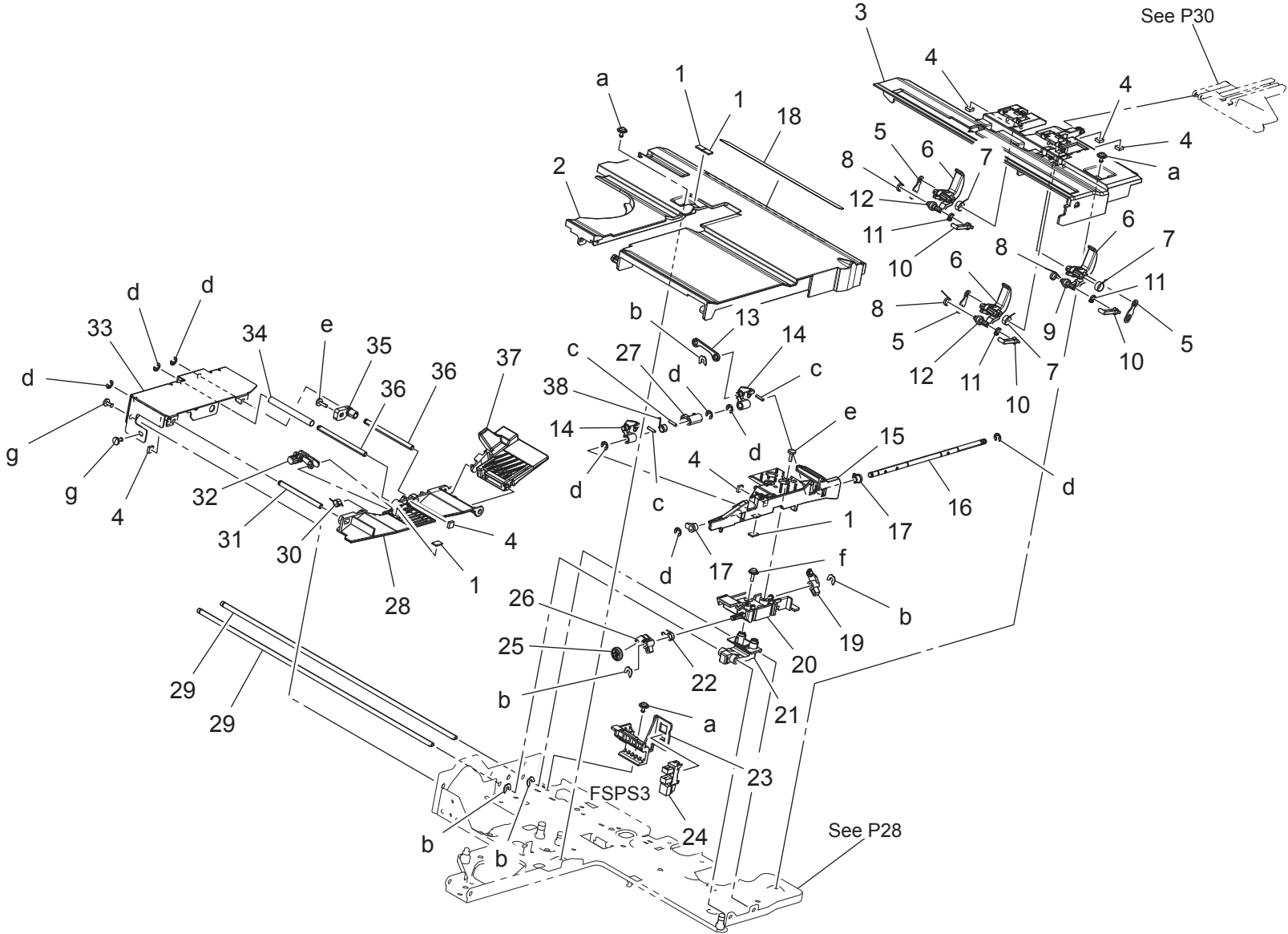


Key	Part No.	Description	Destinations	Class	QTY	Standard parts
1	A63D742200	Reinforce Plate		D	1	a-V137030804 b-V136030603 c-V144030803 d-V144030603 e-V116030804 f-V116030603
2	A63D704500	Cushion		C	1	
3	A63D741601	Stapler Cover		D	1	
4	A63D171700	Sheet /3		D	3	
5	A63DR70000	Stapler Cover /Lower ASSY		C	1	
6	A63D742000	Reinforce Plate		D	1	
7	A63D170501	Actuator		C	1	
8	56UA85010	Switch		C	1	
9	A63D170002	Cover /Left		C	1	
10	A63D171200	Roll		C	4	
11	A63D171100	Hold Arm		C	1	
12	A63D171001	Auxiliary Tray		C	1	
13	A63D740900	Support Shaft		D	1	
14	A63D741401	Reinforce Plate		D	1	
15	A63D741700	Plate spring		D	1	
16	A63D740200	Stapler Cover		D	1	
17	A3EP560100	Stapler Unit		C	1	
18	A63DN12200	FNS Relay harness		D	1	
19	A63D740000	Mounting Plate		D	1	
20	A63D741100	Cover		C	1	
21	A63D742101	Guide		C	1	
22	A63D742300	Label Exchange Staple		C	1	
23	A63D704400	Cushion		C	1	
24	9J08P00100	STAPLE CARTRIDGE		C	1	
25	A63D171500	Protection Film		C	1	
26	A63D171600	Protection Film		C	1	
27	A63D742400	Sheet /4		C	1	
28	1033440203	STOPPER RING		C	1	

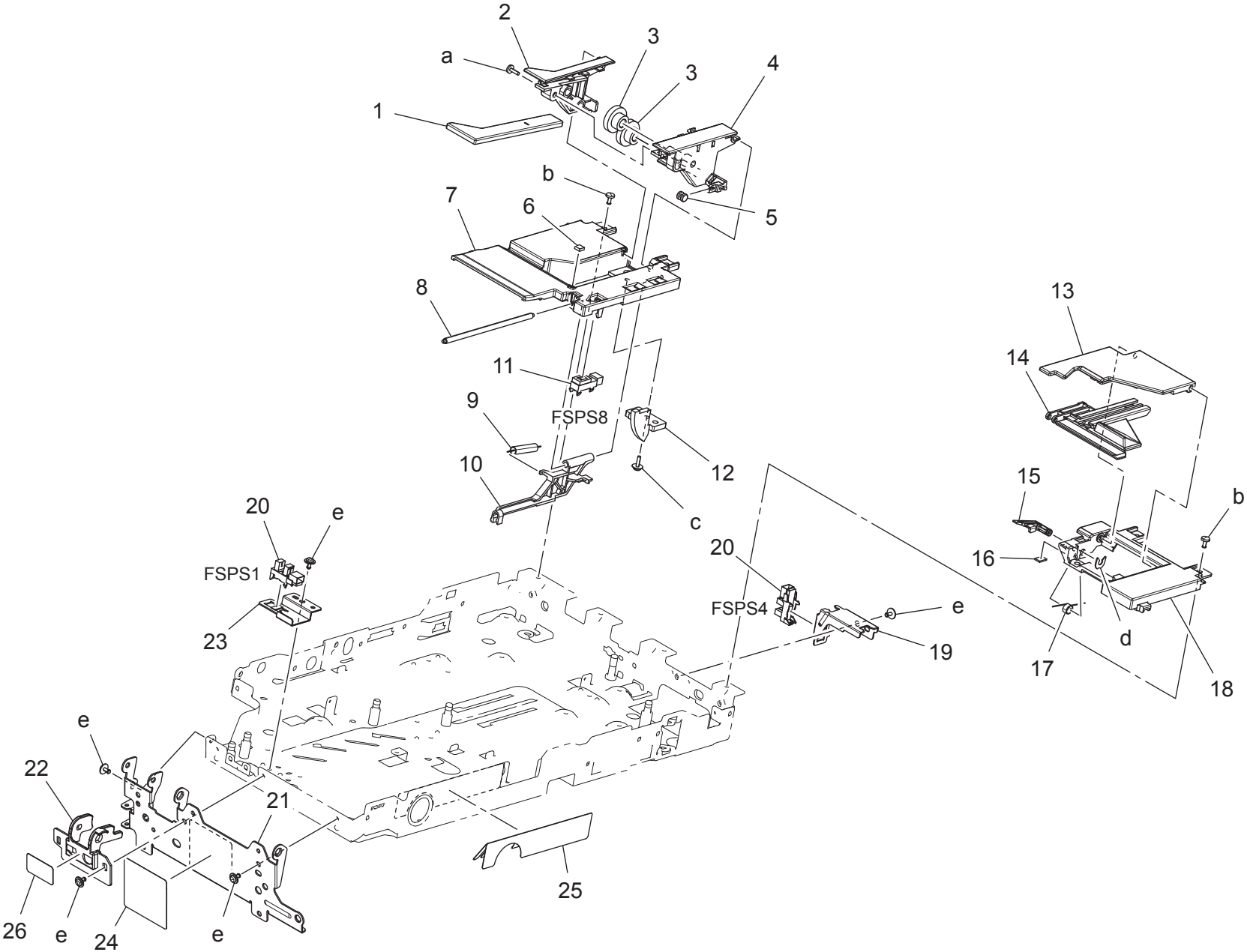
Finisher section



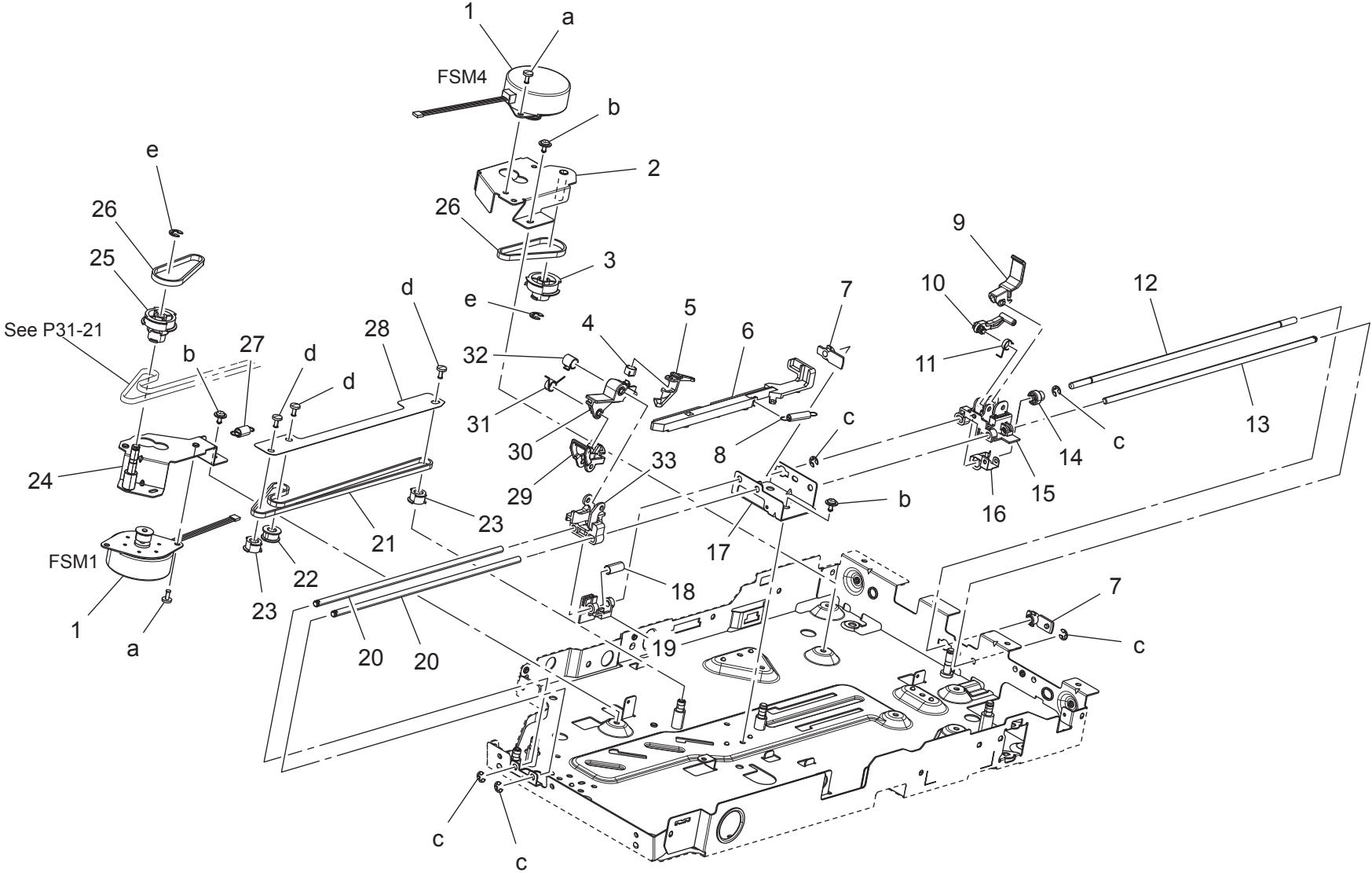
Key	Part No.	Description	Destinations	Class	QTY	Standard parts
1	A63D725500	Pulley 16T	プーリ 16 T	C	2	a-V217040001 b-V149030803 c-V217030001 d-V144030603 e-V136030603 f-V237201450 g-V153030803 h-V217060001 k-V116030803
2	A63D731101	Idler	アイドル (CD 整合)	C	2	
3	A63D730800	Pulley 18/24T	プーリー 18 / 24 T	C	1	
4	A63D732700	Timing belt 82L	タイミングベルト 82 L	C	1	
5	A63D732900	Adjusting Plate	調整板 (CD 整合)	D	1	
6	A63D730700	Timing belt 586L	タイミングベルト 586 L	C	1	
7	9335140071	Solid State Switch	反射型フォトスイッチ	B	1	
8	A63D736801	Holder	ホルダ (CD 整合補助)	D	1	
9	A63D732101	Regulating Plate	整合板 (CD 整合補助)	C	1	
10	A63D733400	Pulling Coil spring	引張りコイルばね	C	1	
11	A63D736900	Guide Shaft	ガイド軸 (CD 整合補助)	D	1	
12	A63D737700	Guide Shaft	ガイド軸 (CD 整合補助)	D	1	
13	A63D704500	Cushion	クッション	C	1	
14	A63D732201	Fixing Guide	固定ガイド (CD 整合補助)	D	1	
15	V651010003	CONNECTOR	Wt o Wコネクタ	D	1	
16	A63D738800	Slide Part	スライド部材	D	1	
17	A63D734000	Up/down Guide /Rear	昇降ガイド /奥	D	2	
18	A63D739100	Pulling Coil spring	引張りコイルばね	C	1	
19	A63D739200	Shoulder screw	段ねじ	C	1	
20	A63D733201	Torsion Coil spring	ねじりコイルばね	C	1	
21	A63D733900	Up/down Arm	昇降アーム	C	2	
22	A63D736700	Slide Shaft	スライド軸	C	1	
23	A63D738900	Release Arm	解除アーム	C	2	
24	A63D739000	Torsion Coil spring	ねじりコイルばね	C	2	
25	A63D734100	Pressing Plate spring	押圧板ばね (可動トレイ)	D	1	
26	A63D731400	Up/down Shaft	昇降軸	D	1	
27	A0H0911500	Fixing Part /6	固定部材 /6	C	4	
28	A5C1M50100	Photointerrupter	透過型センサ	B	1	
29	A63D732600	Support Shaft /Rear	支点軸 /奥 (可動トレイ)	D	1	
30	4134588202	BUSHING	軸受	D	1	
31	A63D738000	Gear 17/32T	ギア 17 / 32 T	C	1	
32	A63D738100	Gear 17/30T	ギア 17 / 30 T	C	1	
33	A63D731501	Mounting Plate	取付板	D	1	
34	A63DM10100	Stepping motor	ステッピングモーター	C	1	
35	A00J617800	Ball Bearing	ボールベアリング	B	2	
36	A63D737900	Gear 17/37T	ギア 17 / 37 T	C	1	
37	A63D738200	Gear 20/27T	ギア 20 / 27 T	C	1	
38	A63D738300	Gear 24T	ギア 24 T	C	1	
39	A63DM10000	Stepping motor	ステッピングモーター	C	1	
40	A63D737601	Hold Plate	保持板	D	1	
41	A63D734402	Base frame	台板	D	1	
42	A63D733100	Pulling Coil spring	引張りコイルばね	C	1	
43	A63D739300	Reinforce Plate	補強板	D	1	



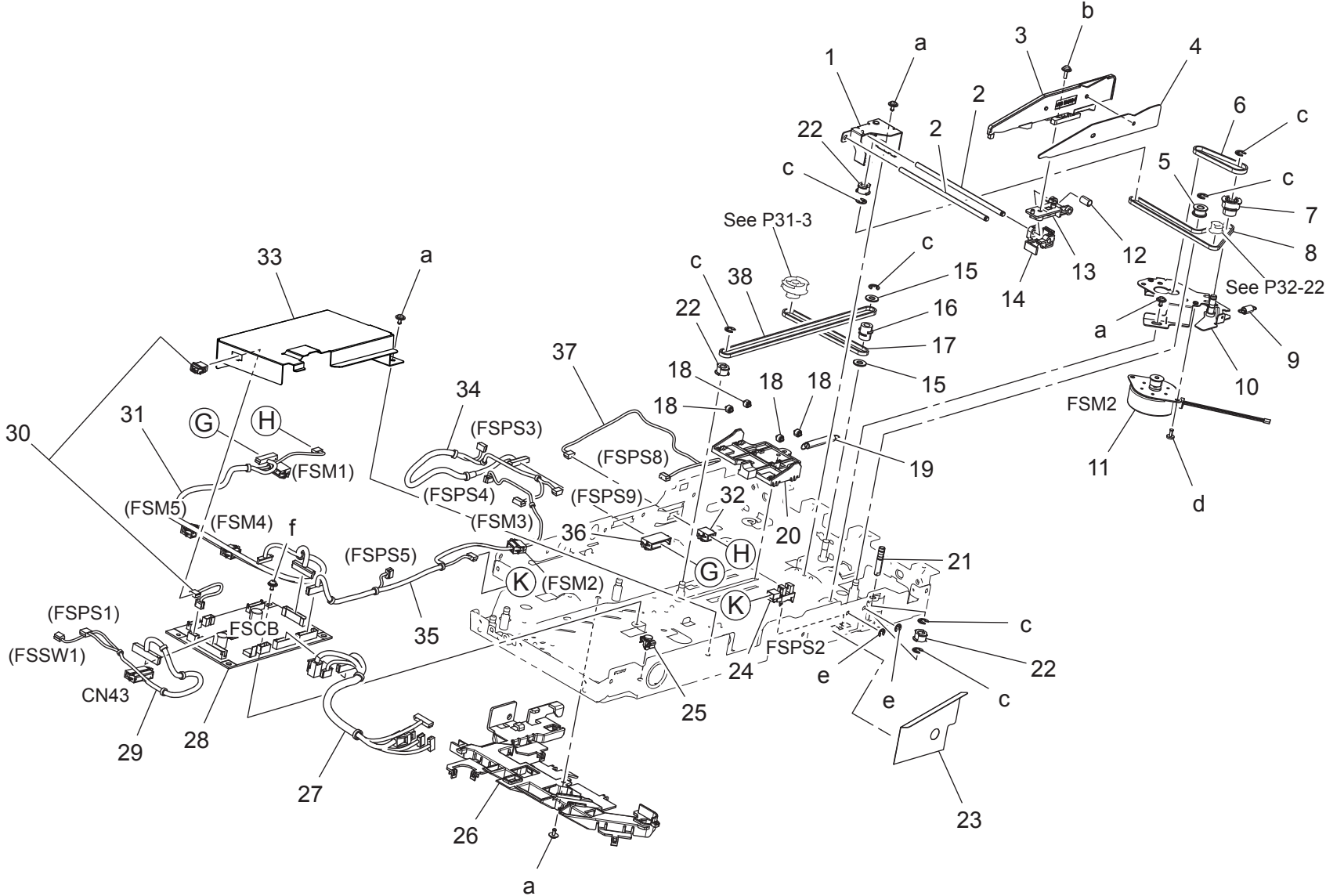
Key	Part No.	Description	Destinations	Class	QTY	Standard parts
1	A63D704400	Cushion		C	4	a-V144030603 b-V218030086 c-V231200850 d-V217030001 e-V149030803 f-V153030803 g-V136030603
2	A63D730013	Processing Tray		D	1	
3	A63D730103	Processing Tray		D	1	
4	A63D704500	Cushion		C	6	
5	A63D727700	Connecting Arm		C	3	
6	A63D724000	Hold Part		C	3	
7	A63D726200	Torsion Coil spring		C	3	
8	A63D727900	Torsion Coil spring		C	3	
9	A63D727400	Hold Part		C	1	
10	A63D727600	Arm		C	3	
11	A63D727800	Torsion Coil spring		C	3	
12	A63D727500	Hold Part		C	2	
13	A63D735100	Connecting Arm		C	1	
14	A63D734900	Holding Lever		C	2	
15	A63D730402	Regulating Plate		D	1	
16	A63D734300	Shaft		D	1	
17	A63D735800	Bushing		C	2	
18	A63D739400	Sheet		C	1	
19	A63D735000	Holding Cam		C	1	
20	A63D734800	Holder		D	1	
21	A63D730500	Holder		D	1	
22	A63D736200	Torsion Coil spring		C	1	
23	A63D737400	Guide		D	1	
24	A5C1M50100	Photointerrupter		B	1	
25	A63D735500	Roll		C	1	
26	A63D735301	Lock Claw		C	1	
27	A63D735401	Lock Claw		C	1	
28	A63D701301	Guide		C	1	
29	A63D730600	Slide Shaft		D	2	
30	A63D702600	Torsion Coil spring		C	1	
31	A63D702800	Guide Shaft		D	1	
32	A63D702200	Lock Claw		C	1	
33	A63D700700	Mounting Plate		D	1	
34	A63D702700	Compressing Coil spring		C	1	
35	A63D705100	Bushing		C	1	
36	A63D701400	Shaft		D	2	
37	A63D700600	Guide		C	1	
38	A63D735700	Torsion Coil spring		C	1	



Key	Part No.	Description	Destinations	Class	QTY	Standard parts
1	A63D701701	Slide Guide		C	1	a-V149030803 b-V136030603 c-V153030803 d-V218040086 e-V144030603
2	A63D701600	Holder		D	1	
3	A63D701900	Gear 15/25T		C	2	
4	A63D704300	Holder		D	1	
5	A63D705600	Roll		C	1	
6	A63D704500	Cushion		C	1	
7	A63D720100	Regulating Tray /Rear		D	1	
8	A63D703900	Slide Shaft		D	1	
9	A63D704100	Pulling Coil spring		C	1	
10	A63D701000	Slide Cam		D	1	
11	9335140071	Solid State Switch		B	1	
12	A63D701800	Gear 13T		C	1	
13	A63D703701	Processing Tray		C	1	
14	A63D703800	Processing Tray		C	1	
15	A63D722800	Separating Claw		C	1	
16	A63D704400	Cushion		C	1	
17	A63D722900	Torsion Coil spring		C	1	
18	A63D720000	Processing Tray /Front		D	1	
19	A63D728200	Mounting Plate		D	1	
20	A5C1M50100	Photointerrupter		B	2	
21	A63D111600	Fixing Plate		D	1	
22	A63D721001	Guide Rail		D	1	
23	A63D721900	Mounting Plate		D	1	
24	A63D111800	Sheet /1		D	1	
25	A63D111900	Sheet /2		D	1	
26	A63D171700	Sheet /3		D	1	



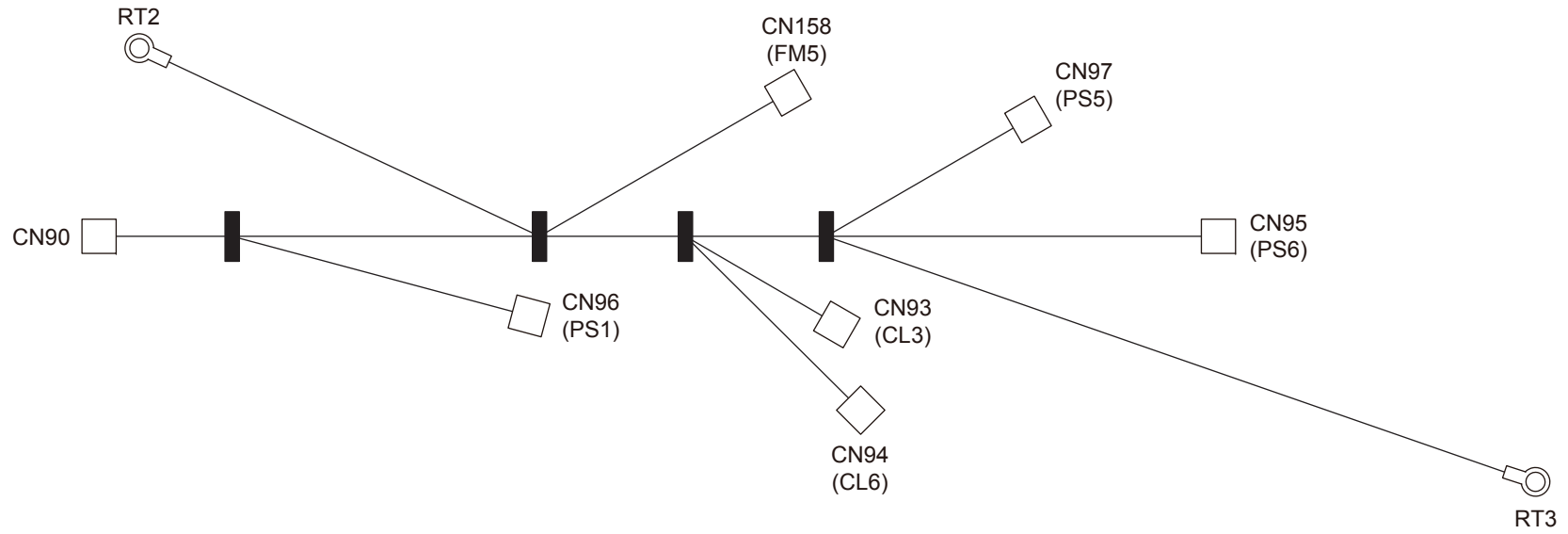
Key	Part No.	Description	Destinations	Class	QTY	Standard parts
1	A63DM10000	Stepping motor		C	2	a-V136030603 b-V144030603 c-V217030001 d-V118030603 e-V217040001
2	A63D726000	Mounting Plate		D	1	
3	A63D721500	Pulley 18/32T		C	1	
4	A63D725200	Torsion Coil spring		C	1	
5	A63D720600	Stopper		C	1	
6	A63D721701	Release Part		D	1	
7	A63D725000	Slide Bushing		D	2	
8	A63D723900	Pulling Coil spring		C	1	
9	A63D722400	Conveyance Part		C	1	
10	A63D728100	Lock Lever		C	1	
11	A63D722500	Torsion Coil spring		C	1	
12	A63D722200	Slide Shaft		D	1	
13	A63D722100	Slide Shaft		D	1	
14	A63D727200	Collar		C	1	
15	A63D722300	Slide Part		C	1	
16	A63D727302	Plate spring		D	1	
17	A63D111200	Mounting Plate		D	1	
18	A63D723600	Compressing Coil spring		C	1	
19	A63D720900	Holder		C	1	
20	A63D720200	Slide Shaft		D	2	
21	A63D721100	Timing belt 410L		C	1	
22	A63D721400	Pulley		C	1	
23	A63D725500	Pulley 16T		C	2	
24	A63D722000	Mounting Plate		D	1	
25	A63D725300	Pulley 18/32T		C	1	
26	A63D721600	Timing belt 120L		C	2	
27	A63D724500	Pulling Coil spring		C	1	
28	A63D727100	Cover		C	1	
29	A63D720500	Pressing Part		C	1	
30	A63D720401	Regulating Plate		C	1	
31	A63D720700	Torsion Coil spring		C	1	
32	A63D720800	Torsion Coil spring		C	1	
33	A63D720301	Slide Part		C	1	



Key	Part No.	Description	Destinations	Class	QTY	Standard parts
1	A63D725100	Mounting Plate	取付板 (プーリーテンション)	D	1	a-V144030603 b-V153030803 c-V217040001 d-V136030603 e-V217030001 f-V116030603
2	A63D723000	Slide Shaft	スライド軸 (CD 整合前)	D	2	
3	A63D723201	Regulating Plate /Front	整合板 /前 (CD)	C	1	
4	A63D726801	Reinforce Plate /Front	補強板 /前 (CD)	C	1	
5	A63D721400	Pulley	プーリー	C	1	
6	A63D721600	Timing belt 120L	タイミングベルト 120L	C	1	
7	A63D723400	Pulley 18/24T	プーリー 18 /24 T	C	1	
8	A63D723300	Timing belt 272L	タイミングベルト 272L	C	1	
9	A63D724500	Pulling Coil spring	引張りコイルばね	C	1	
10	A63D725900	Mounting Plate	取付板 (CD 整合前)	D	1	
11	A63DM10000	Stepping motor	ステッピングモーター	C	1	
12	A63D723600	Compressing Coil spring	圧縮コイルばね	C	1	
13	A63D723100	Slide Part	スライド部材 (CD 整合前)	C	1	
14	A63D723700	Holder	ホルダ (シフト)	C	1	
15	A0HR213600	Flange	フランジ	C	2	
16	A63D721200	Pulley 16T	プーリー 16 T	C	1	
17	A63D726500	Timing belt 196L	タイミングベルト 196L	C	1	
18	A63D901300	Roll	ころ	C	4	
19	A63D724400	Pulling Coil spring	引張りコイルばね	C	1	
20	A63D724301	Stopper	ストッパ	C	1	
21	A63D726100	Shaft	軸	D	1	
22	A63D725500	Pulley 16T	プーリー 16 T	C	3	
23	A63D111700	Cover	カバー	D	1	
24	A5C1M50100	Photointerrupter	透過型センサ	B	1	
25	V502010064	Support Spacer	サポートスペーサー	D	1	
26	A63D130200	Wiring Guide	配線ガイド	D	1	
27	A63DN11500	FNS Wiring	FNS 束線	D	1	
28	A63DH00103	PWB Assembly (FSCB)	基板 ASSY (FSCB)	I	1	
29	A63DN11400	FNS Wiring	FNS 束線	D	1	
30	A63DN11800	FNS Wiring	FNS 束線	D	1	
31	A63DN11001	FNS Wiring	FNS 束線	D	1	
32	V651010002	connector	Wt o Wコネクタ	D	1	
33	A63D131001	Cover	カバー (基板)	D	1	
34	A63DN11101	FNS Relay harness	FNS 中継束線	D	1	
35	A63DN11300	FNS Wiring	FNS 束線	D	1	
36	V651010009	connector	Wt o Wコネクタ	D	1	
37	A63DN12000	FNS Relay harness	FNS 中継束線	D	1	
38	A63D722700	Timing belt 386L	タイミングベルト 386L	C	1	

Wiring section

①



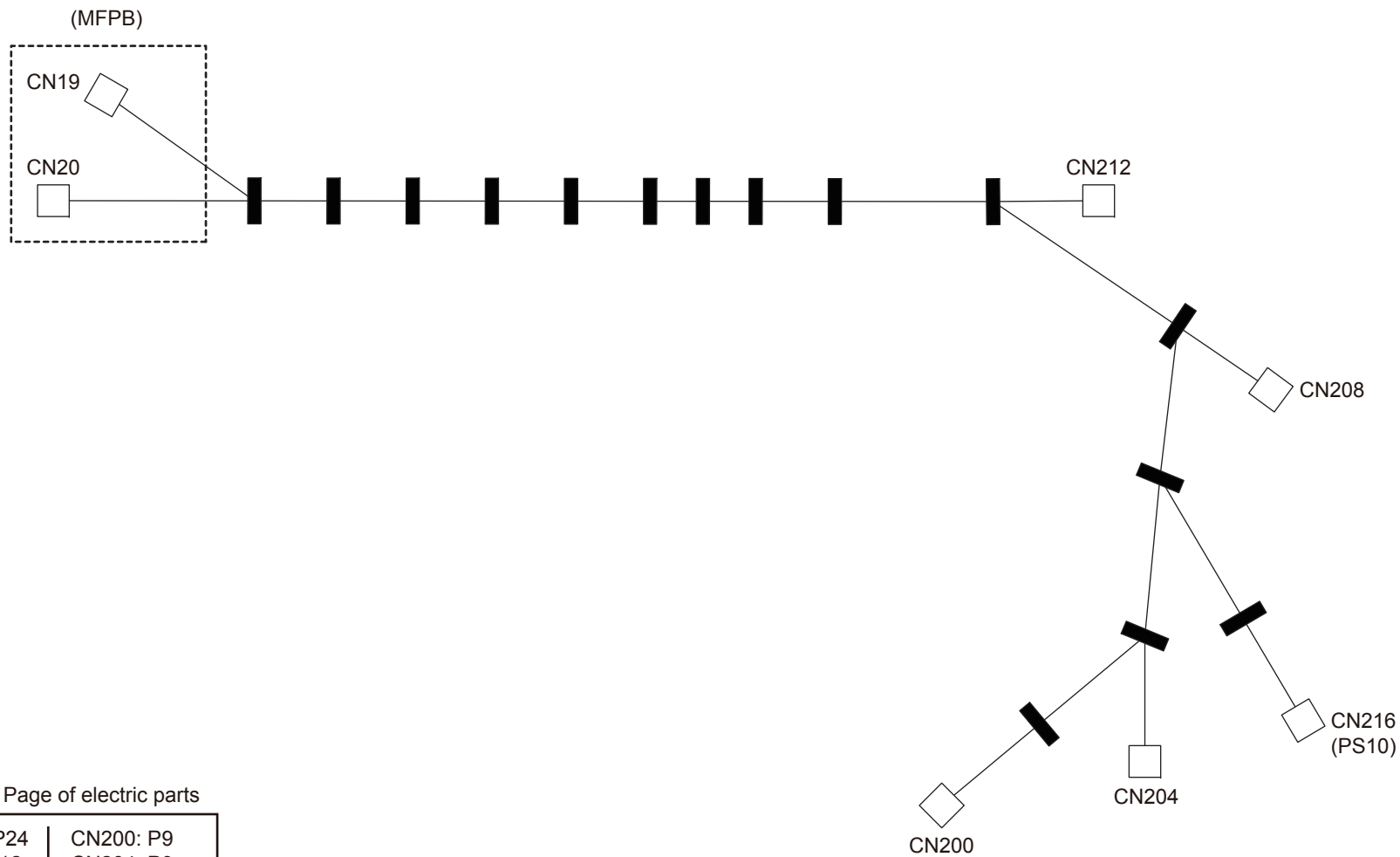
Reference Page of electric parts

CL3: P18	PS5: P18
CL6: P18	PS6: P17
FM5: P17	CN90: P35
PS1: P15	

Key	Part No.	Description		Destinations	Class	QTY	Standard parts
1	A3GNN10300	Conveyance Wiring	搬送束線		D	1	

Wiring section

①



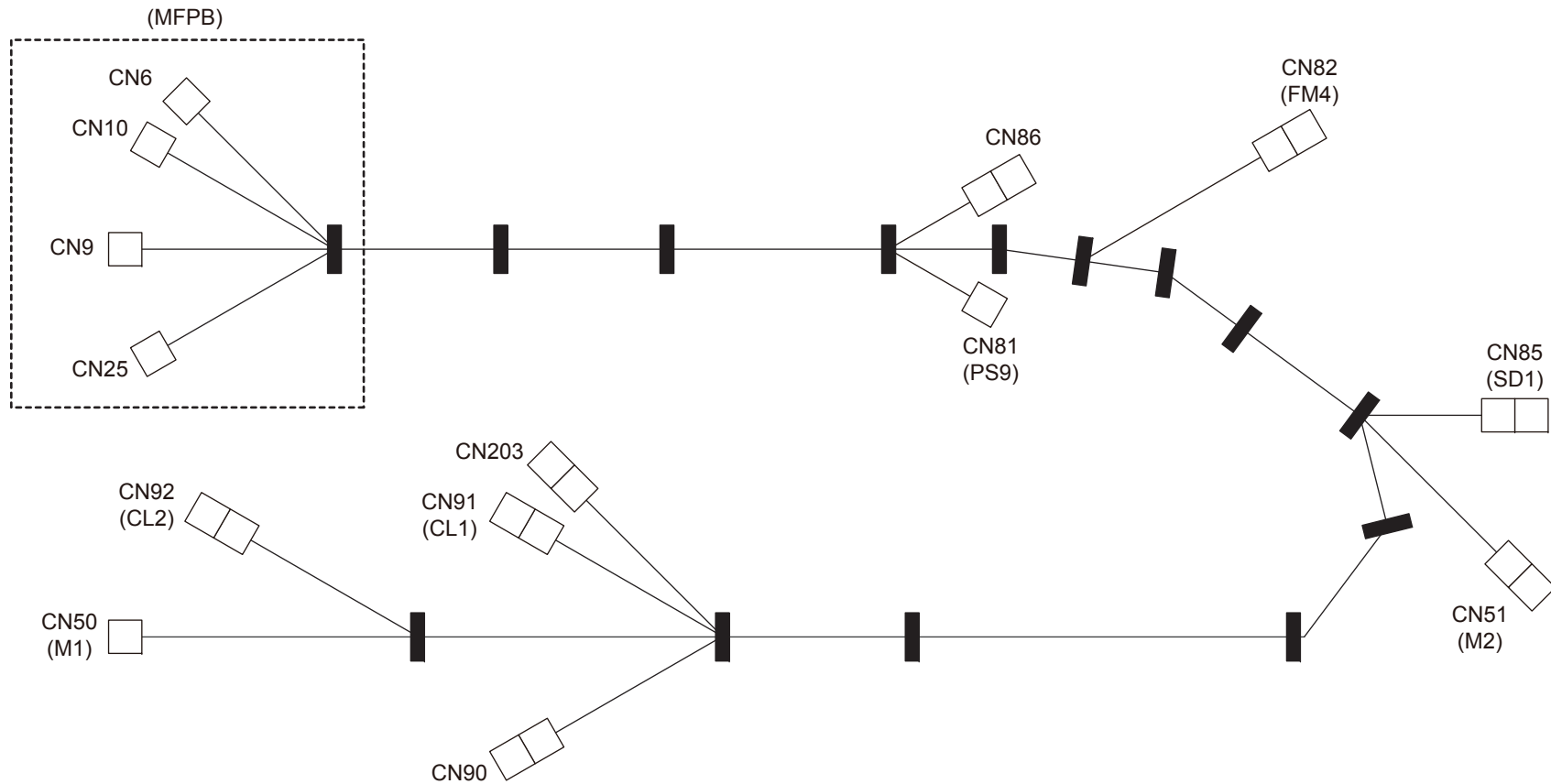
Reference Page of electric parts

MFPB: P24	CN200: P9
PS10: P12	CN204: P9
	CN208: P9
	CN212: P9

Key	Part No.	Description	Destinations	Class	QTY	Standard parts
1	A92EN10000	Main body Wiring /F 本体束線 / F		D	1	

Wiring section

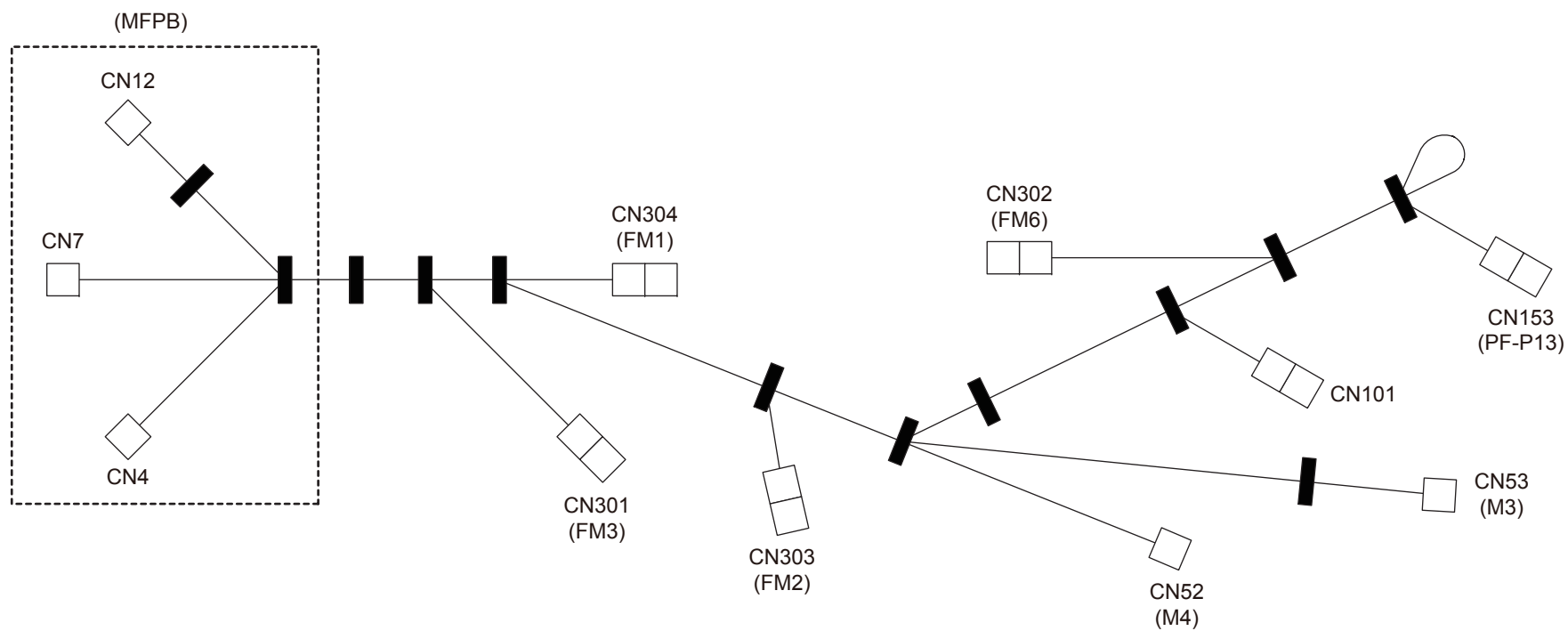
①



Reference Page of electric parts

MFPB: P24	M1: P21	CN86: P32
CL1: P22	M2: P21	CN90: P33
CL2: P22	PS9: P8	CN203: P15
FM4: P19	SD1: P21	

①

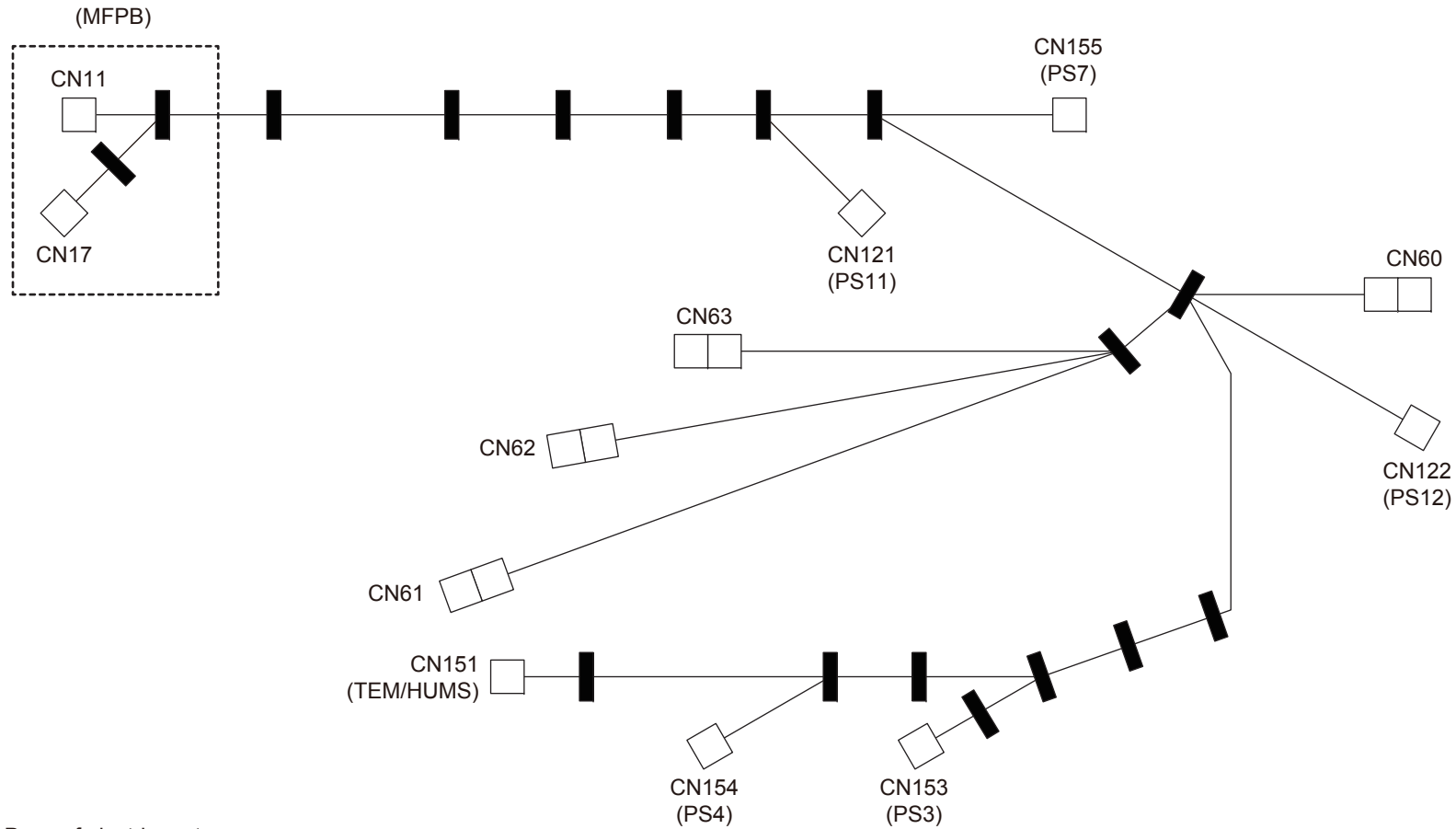


Reference Page of electric parts

MFPB: P24	FM6: P10	PF-P13: Option
FM1: P23	M3: P21	
FM2: P10	M4: P21	
FM3: P6	CN101: P22	

Wiring section

①



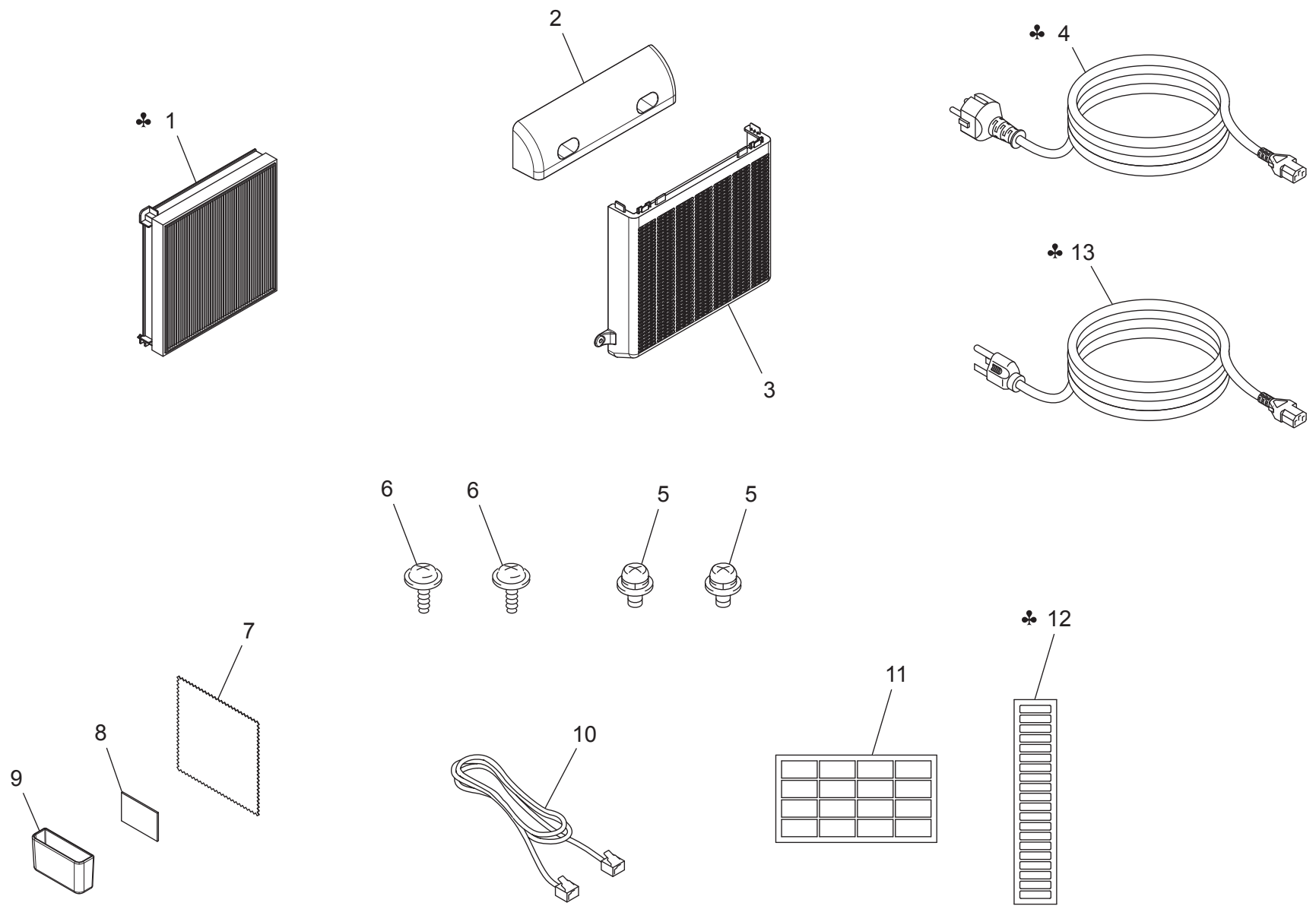
Reference Page of electric parts

MFPB: P24	PS11: P3	CN61: P7
PS3: P22	PS12: P6	CN62: P7
PS4: P11	TEM/HUMS: P11	CN63: P7
PS7: P6	CN60: P11	

Wiring accessories and Jigs

1 	6 	11 	16 	21	26	31	36
2 White 	7 White 	12 	17 	22	27	32	37
3 	8 White 	13 	18 	23	28	33	38
4 	9 	14 	19	24	29	34	39
5 	10 	15 	20	25	30	35	40

Accessory parts



Accessory parts

Key	Part No.	Description	Destinations	Class	QTY	Standard parts
1	A92E147400	Filter	C,I(SOUTH AFRICA)	C	1	
2	A3GN147801	Mounting Cover		C	1	
3	A3GN147100	Cover		C	1	
4	A0VDN30000	Power code	C,I(SOUTH AFRICA)	C	1	
5	V116031004	Screw		V	2	
6	V153030804	screw		V	2	
7	A92E955200	Cleaning Sheet		C	1	
8	A92E955100	Cushion		C	1	
9	A92E955000	Holder		C	1	
10	4628680101	WIRE HARNESS ASSY		D	1	
11	A3GN940401	Label		C	1	
12	A7AH947201	Seal/ English	B,G2,H	C	1	
13	A0EDN30101	Power source Cord /120V	B,G2,H	D	1	

MAINTENANCE LIST

● The items with no Page/Key numbers are not handled as spare parts.

No.	Section	PM Parts Description	Maintenance Cycle (K=1,000)		Parts No.	Destinations	Page/Key	Note
			QTY	Replace				
1	Paper feed section	Tray 1 feed roller	1	300k	4138303202		P13-11	*2 *4
2		Tray 1 separation roller	1	300k	A92EV62001		P13-13	*2 *4
3		Manual feed tray feed roller	1	300k	4138303202		P15-11	*2 *4
4		Manual feed tray separation roller	1	300k	A92EV62001		P15-27	*2 *4
5	Processing section	Toner cartridge/ Y,M,C	1	12k	-			*1 *3
6		Toner cartridge/K	1	13k	-			*1 *3
7		Imaging unit/Y,M,C	1	30k	-			*1 *3
8		Imaging unit/K	1	60k	-			*1 *3
9		Toner filter	1	150k	-			*2 *5
10		Waste toner bottle	1	30k	A4Y5WY1		P12-10	*1 *3 *6
11	Image transfer section	Transfer belt unit	1	150k	A4Y5WY4		P8-4	*2
12		Transfer roller	1	150k	A4Y5WY3		P17-27	*2
13	Fusing section	Fusing unit	1	135k	A4Y5W12	Area 110-127V	P20-7	*2
14			1	135k	A4Y5W22	Area 220-240V	P20-7	*2

*1: The parts can be replaced either by user or service engineer.

*2: Actual durable cycle (life counter value)

*3: Field standard yield

*4: Replace those parts at the same time.

*5: The toner filter is furnished with the transfer belt unit (A4Y5WY4) so that all of them are replaced at the same time.

*6: A waste toner full condition is detected with detecting the actual waste toner emissions.

メンテナンスリスト

● ページ / キーナンバーのないものは、アフターサービス部品ではありません。

No.	区分	P M 部品名称	サイクル (K=1,000)		部品番号	仕向地	頁 / キー	備考
			員数	交換				
1	給紙部	トレイ1 給紙ローラー	1	300k	4138303202		P13-11	*2 *4
2		トレイ1 分離ローラー	1	300k	A92EV62001		P13-13	*2 *4
3		手差しトレイ給紙ローラー	1	300k	4138303202		P15-11	*2 *4
4		手差しトレイ分離ローラー	1	300k	A92EV62001		P15-27	*2 *4
5	プロセス部	トナーカートリッジ /Y,M,C	1	12k	-			*1 *3
6		トナーカートリッジ /K	1	13k	-			*1 *3
7		イメージングユニット /Y,M,C	1	30k	-			*1 *3
8		イメージングユニット /K	1	60k	-			*1 *3
9		トナーフィルター	1	150k	-			*2 *5
10		廃トナーボトル	1	30k	A4Y5WY1		P12-10	*1 *3 *6
11	転写部	転写ベルト ユニット	1	150k	A4Y5WY4		P8-4	*2
12		転写ローラー	1	150k	A4Y5WY3		P17-27	*2
13	定着部	定着ユニット	1	135k	A4Y5W12	Area 110-127V	P20-7	*2
14			1	135k	A4Y5W22	Area 220-240V	P20-7	*2

*1: ユーザー / サービス交換の選択が可能。

*2: ライフカウンター値

*3: 市場標準印刷枚数値

*4: 同時交換のこと。

*5: 転写ベルト ユニット (A4Y5WY4) に同梱されており、同時交換する。

*6: 廃棄トナーフル検知は、実際の廃棄トナー充填量を検知して行う。

DESTINATION

Destination No.		Destinations		V	Hz	Model No.
A	A1	JAPAN				
	A2	JAPAN				
B		USA, CANADA		120V	60	A92G011
C		EUROPEAN TYPE		220-240	50/60	A92G021
D	D1	S.E ASIA TYPE	THAILAND, SRI LANKA, SINGAPORE, MALAYSIA, HONG KONG, PAKISTAN, INDIA, BANGLADESH, INDONESIA			
	D3	OCEANIA TYPE	AUSTRALIA, NEW ZEALAND			
E		PHILIPPINES				
F	F1	SAUDI ARABIA				
	F2	SAUDI ARABIA				
G	G1	C.S AMERICA				
	G2	C.S AMERICA		120-127V	60	A92G011
H		TAIWAN		110V	60	A92G011
I		JORDAN, LEBANON, SYRIA, SOUTH AFRICA, IRAQ, IRAN, N.YEMEN, CAMEROON, UAE, BAHRAIN, OMAN, QATAR, KUWAIT, KENYA, TUNISIA, IVORY COAST, MOROCCO		220-240	50/60	A92G021
J		CHINA				
K		KOREA				