

KONICA MINOLTA

PARTS GUIDE MANUAL

SEPTEMBER 2020

bizhub 128DN/287/7528
A7AH

INFORMATION FOR PARTS GUIDE MANUAL

To find correct Parts No., refer to the "HOW TO MAKE THE BEST USE OF THIS MANUAL" in the following page.

HOW TO MAKE THE BEST USE OF THIS MANUAL

- 1 When you order, please check the proper figures beforehand that are on Our Parts Guide Manual, and order with the appropriate figures.
- 2 For screws, Nuts, Washers, retaining rings and Pins which are used in this model, one letter is shown on the Standard parts column of Parts list and exploded diagrams.
- 3 In order to maintain safety of the product, some specific parts composed of this product are set up as "essential safety parts".
- 4 The assigned parts number for the "essential safety parts" is indicated as "SP00-****".
When replacing these parts, follow precautions for disassembling and installing which are listed in the Service Manual.
Do not use any parts that are not set up as
- 5 ♣ means that there are exclusive parts for each destination.
Please check the appropriate destination when you order.
- 6 All rights reserved. (any reprints or quotations are prohibited.)
Use of this parts guide manual should be strictly supervised to avoid disclosure of confidential information.

パーツガイドマニュアルのご案内

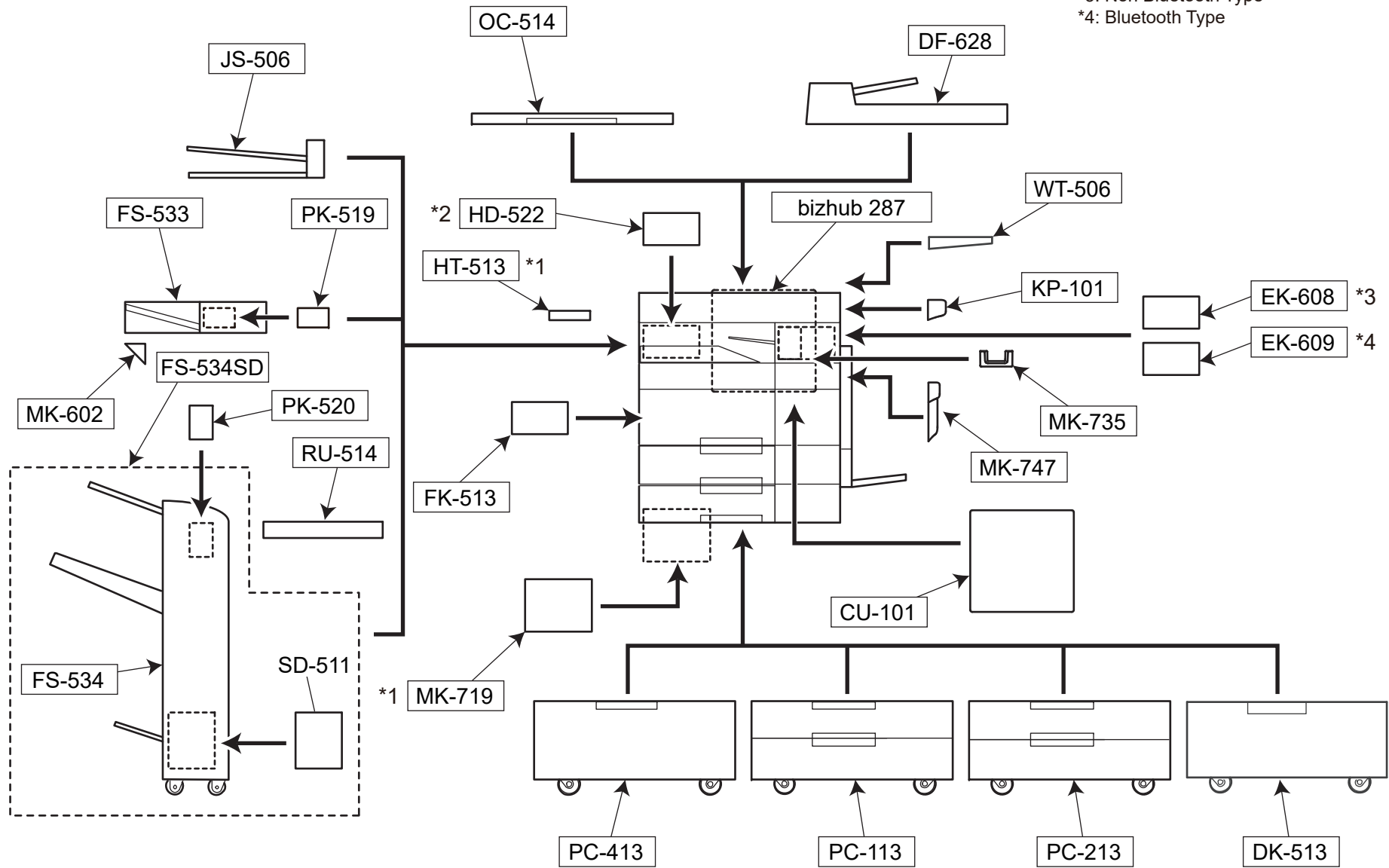
サービス部品をご発注の際には、下記に示す“パーツガイドマニュアルの活用にあたって”をご参照の上、正しい部品番号にてお願い致します。

パーツガイドマニュアルの活用にあたって

- 1 部品発注の際には、掲載されている部品番号の桁数を確認し、掲載されている桁数で発注願います。
- 2 この製品に使用されているネジ、ナット、ワッシャー、止め輪、ピンなどは、リストの右側の Standard parts 欄に a,b,c,…… で表示し、イラストにも a,b,c,…… 表示してあります。
- 3 製品の安全性を維持する為に、製品に使用される特定の部品を「重要保安部品」として設定しています。
- 4 重要保安部品の部品番号は、“SP00-****”と記載されていますので、部品交換時は、サービスマニュアル記載の分解・組み立ての注意事項に従って作業をして下さい。
また、指定以外の部品は一切使用しないで下さい。
- 5 本文に ♣ が表示されている部品は、仕向け地毎に専用部品がある事を意味しています。
オーダーされる時は、仕向け地を確認して下さい。
- 6 著作権所有（無断転載及び無断引用の禁止）
本パーツガイドマニュアルについては、機密保持等その扱いには十分注意して下さい。万一取り扱いを誤った場合には、法律で処罰される場合があります。

System Configuration

- *1: for Model No. A7AH001
- *2: for Model No. A7AH041
- *3: Non Bluetooth Type
- *4: Bluetooth Type

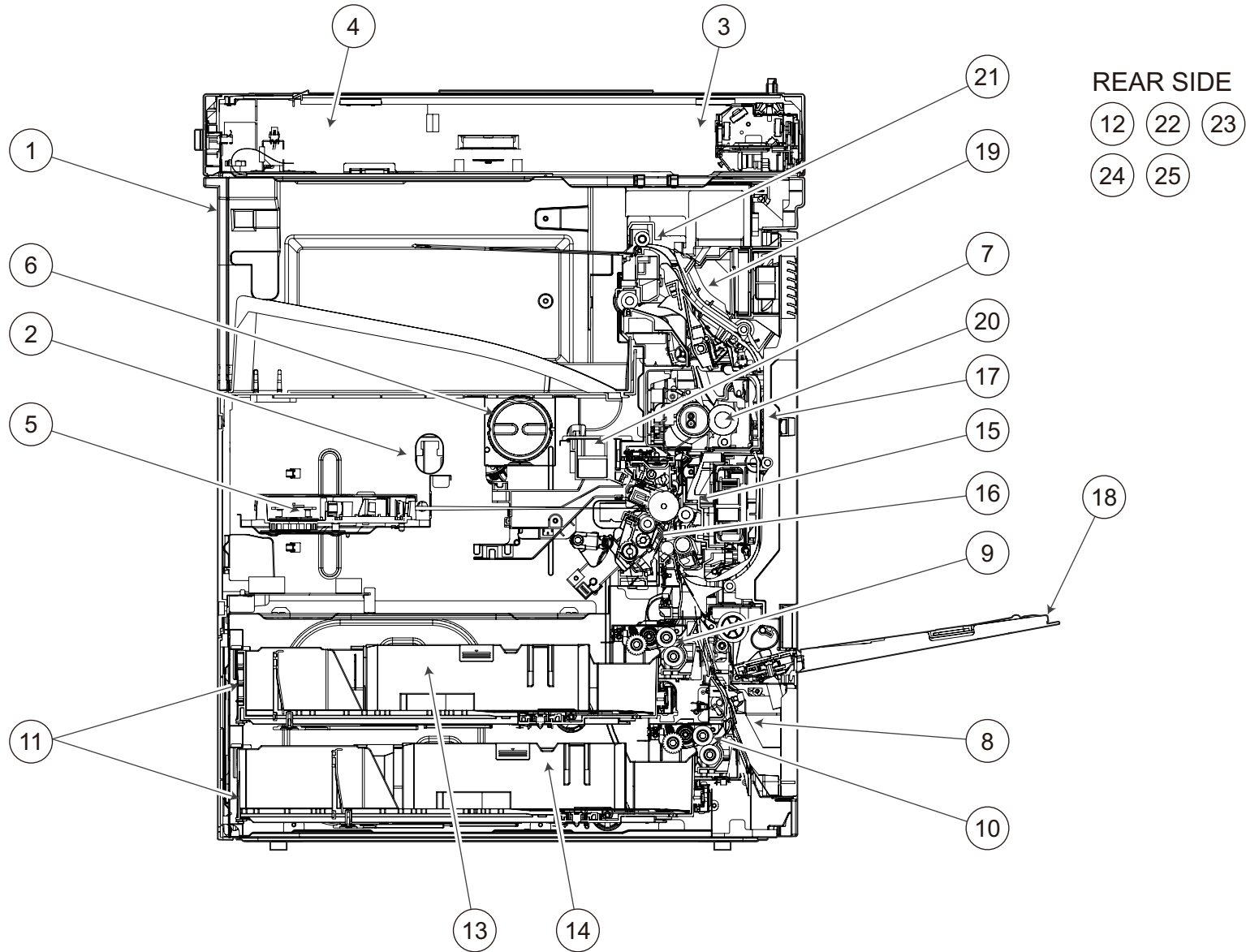


GENERAL CONTENTS

| No. | Description | Model |
|-----|-----------------|-------------------------------------|
| 1 | Digital MFP B/W | bizhub 128DN/bizhub 287/bizhub 7528 |
| 2 | Original Cover | OC-514 |
| 3 | Document Feeder | DF-628 |
| 4 | Working Table | WT-506 |
| 5 | Other Option | KP-101 |
| 6 | Local IF Kit | EK-608 |
| 7 | Mount Kit | MK-735 |
| 8 | Desk | DK-513 |
| 9 | Paper Feeder | PC-213 |
| 10 | Paper Feeder | PC-113 |
| 11 | Paper Feeder | PC-413 |
| 12 | Finisher/Sorter | FS-534 |
| 13 | Mount Kit | MK-602 |
| 14 | Finisher/Sorter | FS-534SD |
| 15 | Punch Unit | PK-520 |
| 16 | Relay Unit | RU-514 |
| 17 | Punch Unit | PK-519 |
| 18 | Finisher/Sorter | FS-533 |
| 19 | Job Separator | JS-506 |
| 20 | HDD | HD-522 |
| 21 | Heater | HT-513 |
| 22 | Other Option | MK-719 |

| No. | Description | Model |
|------------|--------------------|--------------|
| 23 | Local IF Kit | EK-609 |
| 24 | Fax Kit | FK-513 |
| 25 | Mount Kit | MK-747 |
| 26 | Other Option | CU-101 |

Section Configuration



CONTENTS

| No. | DESCRIPTION | 名称 | PAGE No. |
|-----|----------------------------------|-----------------------|--------------|
| 1 | EXTERNAL PARTS | 外装部 | P1 P2 |
| 2 | INNER COVER SECTION | 2次カバー部 | P3 |
| 3 | OPERATION PANEL SECTION | オペレーションパネル部 | P4 |
| 4 | SCANNER SECTION | スキャナー部 | P5 P6 P7 P7A |
| 5 | PH UNIT/HIGH VOLTAGE SECTION | PH / 高圧電源部 | P8 |
| 6 | TONER SUPPLY SECTION | トナー補給部 | P9 P10 |
| 7 | ERASE LAMP/DV LOCK LEVER SECTION | イレーサーランプ / DV ロックレバー部 | P11 |
| 8 | PAPER FEED SECTION | 給紙部 | P12 |
| 9 | 1ST PAPER FEED SECTION | 1 段目給紙部 | P13 P14 |
| 10 | 2ND PAPER FEED SECTION | 2 段目給紙部 | P15 P16 |
| 11 | CASSETTE RAIL SECTION | カセットレール部 | P17 |
| 12 | PAPER SIZE DETECTION SECTION | カセットサイズ検出部 | P18 P18A |
| 13 | 1ST CASSETTE SECTION | 1 段目カセット部 | P19 P20 P20A |
| 14 | 2ND CASSETTE SECTION | 2 段目カセット部 | P21 P22 P22A |
| 15 | VERTICAL TRANSPORT SECTION | 縦搬送部 | P23 P24 P24A |
| 16 | REGISTRATION SECTION | レジスト部 | P25 |
| 17 | VERTICAL CONVEYANCE DOOR SECTION | 縦搬送扉部 | P26 |
| 18 | BYPASS TRAY SECTION | 手差しトレイ部 | P27 P28 P28A |
| 19 | REVERSAL SECTION | 反転部 | P29 P29A P30 |
| 20 | FUSING SECTION | 定着部 | P31 |
| 21 | PAPER EXIT SECTION | 排紙部 | P32 P33 |
| 22 | DRIVE SECTION | 駆動部 | P34 |
| 23 | OZONE DUCT SECTION | オゾン排気部 | P35 |
| 24 | MAIN POWER SUPPLY SECTION | 低圧電源部 | P36 |
| 25 | ELECTRICAL COMPONENTS | 電装部 | P37 P38 |
| 26 | WIRING | 束線 | P39 |
| 27 | WIRING ACCESSORIES AND JIGS | 配線部品・治具 | P40 |
| 28 | ACCESSORY PARTS | 同梱部品 | P41 |

INDEX

| Parts No. | Page No. |
|------------|----------|
| 0978381113 | 28-4 |
| 0978381113 | 28A-4 |
| 0996305501 | 17-6 |
| 1134304301 | 27-13 |
| 1154467001 | 36-3 |
| 1164202801 | 33-12 |
| 1164351501 | 25-16 |
| 1164420204 | 23-15 |
| 4002504202 | 4-10 |
| 4002504202 | 25-6 |
| 4004590301 | 33-8 |
| 4030205301 | 40-12 |
| 4030205401 | 40-13 |
| 4030320601 | 20A-15 |
| 4030320601 | 20-15 |
| 4030320601 | 22A-15 |
| 4030320601 | 22-15 |
| 4030340301 | 28-27 |
| 4030340301 | 28A-27 |
| 4030347501 | 28A-21 |
| 4030347501 | 28-21 |
| 4030420701 | 23-10 |
| 4038101401 | 3-3 |
| 4038218401 | 29-19 |
| 4038353701 | 25-11 |
| 4038353901 | 25-13 |
| 4038541202 | 34-27 |
| 4038M60000 | 38-8 |
| 4128197801 | 8-12 |
| 4128197901 | 8-13 |
| 4136N30000 | 38-17 |
| 4136N30000 | 41-11 |
| 4139M10001 | 35-9 |
| 4139M10001 | 35-19 |
| 4139M10001 | 36-2 |
| 4163510201 | 9-23 |
| 4163529301 | 3-21 |
| 4163529301 | 20-20 |
| 4163529301 | 20A-20 |
| 4163529301 | 22-20 |

| Parts No. | Page No. |
|------------|----------|
| 4163529301 | 22A-20 |
| 4163529301 | 29A-30 |
| 4163529301 | 29-30 |
| 4163529301 | 30-1 |
| 4163529301 | 31-8 |
| 4163529301 | 35-11 |
| 4475260302 | 1-7 |
| 4556M10000 | 29A-31 |
| 4556M10000 | 29-31 |
| 4576536301 | 9-29 |
| 4581162501 | 6-10 |
| 4658015106 | 28-19 |
| 4658015106 | 28A-19 |
| 56AA40490 | 1-10 |
| 56AA40490 | 13-13 |
| 56AA40490 | 14-9 |
| 56AA40490 | 15-20 |
| 56AA40490 | 16-6 |
| 9313130051 | 24-19 |
| 9313130051 | 24A-19 |
| 9335140051 | 10-1 |
| 9372271022 | 23-14 |
| 9381420021 | 41-11 |
| 9381430031 | 41-11 |
| 9J06M10300 | 18A-10 |
| 9J06M10300 | 18-10 |
| 9J06M60100 | 3-15 |
| 9J06M60100 | 26-17 |
| A00F623201 | 27-7 |
| A00J169901 | 41-1 |
| A00J563600 | 13-12 |
| A00J563600 | 14-10 |
| A00J563600 | 15-19 |
| A00J563600 | 16-7 |
| A00J945500 | 1-17 |
| A00JN30200 | 38-19 |
| A011946200 | 4-18 |
| A02E149900 | 2-16 |
| A02E561100 | 13-11 |
| A02E561100 | 15-18 |

| Parts No. | Page No. |
|------------|----------|
| A02E592100 | 28-9 |
| A02E596300 | 27-8 |
| A02E597600 | 28-23 |
| A02E597600 | 28A-23 |
| A02E815200 | 14-17 |
| A02E815200 | 16-14 |
| A02E815200 | 24-2 |
| A02E815200 | 27-26 |
| A02E815200 | 29-10 |
| A02E815200 | 29A-10 |
| A02E815200 | 30-10 |
| A02E940300 | 11-12 |
| A02EM20200 | 25-1 |
| A02EM70F00 | 38-13 |
| A02F897200 | 33-36 |
| A034M20100 | 27-18 |
| A0ED135700 | 38-12 |
| A0ED135700 | 38-12 |
| A0ED162401 | 1-6 |
| A0ED401000 | 9-17 |
| A0ED563900 | 14-11 |
| A0ED563900 | 16-8 |
| A0ED700600 | 25-14 |
| A0ED702400 | 24-21 |
| A0ED702400 | 24A-21 |
| A0ED712100 | 26-1 |
| A0ED811700 | 24-9 |
| A0ED811700 | 29A-4 |
| A0ED815100 | 30-6 |
| A0ED891100 | 33-13 |
| A0ED897700 | 33-17 |
| A0ED940600 | 9-6 |
| A0ED940700 | 1-3 |
| A0EDM50100 | 15-14 |
| A0EDM60001 | 11-11 |
| A0EDN30002 | 38-15 |
| A0G6411200 | 1-7 |
| A0HF952400 | 5-7 |
| A0P0M73100 | 3-12 |
| A161101900 | 17-4 |

| Parts No. | Page No. |
|------------|----------|
| A161115700 | 11-17 |
| A161116100 | 11-21 |
| A161137100 | 26-15 |
| A161137600 | 37-26 |
| A161151200 | 26-16 |
| A161151300 | 3-14 |
| A161165602 | 1-4 |
| A161165700 | 10-8 |
| A161240400 | 34-30 |
| A161240600 | 34-26 |
| A161240700 | 34-28 |
| A161400401 | 9-32 |
| A161400601 | 9-34 |
| A161400800 | 9-22 |
| A161401000 | 9-28 |
| A161401100 | 9-24 |
| A161402403 | 9-8 |
| A161402502 | 9-10 |
| A161403101 | 9-30 |
| A161403701 | 9-3 |
| A161403800 | 9-9 |
| A161403901 | 9-5 |
| A161404001 | 9-2 |
| A161404100 | 9-4 |
| A161404200 | 9-33 |
| A161591000 | 28A-29 |
| A161591000 | 28-29 |
| A161591100 | 28-28 |
| A161591100 | 28A-28 |
| A161591600 | 28-16 |
| A161591600 | 28A-16 |
| A161592200 | 28A-7 |
| A161592200 | 28-7 |
| A161592600 | 28A-35 |
| A161593300 | 27-10 |
| A161593800 | 28A-10 |
| A161593800 | 28-10 |
| A161594201 | 28A-14 |
| A161594201 | 28-14 |
| A161594300 | 28-33 |

| Parts No. | Page No. |
|------------|----------|
| A161594300 | 28A-33 |
| A161594400 | 27-6 |
| A161595100 | 28-15 |
| A161595100 | 28A-15 |
| A161595300 | 28A-26 |
| A161595300 | 28-26 |
| A161595600 | 28-17 |
| A161595600 | 28A-17 |
| A161620701 | 20-12 |
| A161620701 | 20A-12 |
| A161620701 | 22A-12 |
| A161620701 | 22-12 |
| A161623400 | 19-14 |
| A161623400 | 21-14 |
| A161624100 | 20A-5 |
| A161624100 | 20-5 |
| A161624100 | 22A-5 |
| A161624100 | 22-5 |
| A161626602 | 19-7 |
| A161626602 | 21-7 |
| A161626800 | 19-6 |
| A161626800 | 21-6 |
| A161701100 | 25-25 |
| A161711300 | 24-7 |
| A161711500 | 24-12 |
| A161712800 | 30-3 |
| A161714600 | 24-17 |
| A161813100 | 30-20 |
| A161813200 | 30-4 |
| A161813400 | 30-12 |
| A161813600 | 30-5 |
| A161813600 | 30-25 |
| A161814500 | 30-9 |
| A161814700 | 29A-8 |
| A161814700 | 29-8 |
| A161815300 | 26-21 |
| A161815400 | 26-19 |
| A161815800 | 26-24 |
| A161815900 | 26-8 |
| A161819400 | 30-8 |

| Parts No. | Page No. | Parts No. | Page No. | Parts No. | Page No. | Parts No. | Page No. | Parts No. | Page No. |
|------------|----------|------------|----------|------------|----------|------------|----------|------------|----------|
| A161819500 | 30-22 | A5C1134111 | 37-22 | A795622500 | 22A-19 | A7AH116200 | 3-8 | A7AH138500 | 3-16 |
| A161825700 | 24-3 | A5C1134200 | 37-19 | A795622600 | 20A-17 | A7AH116211 | 3-8 | A7AH138511 | 3-16 |
| A161825700 | 29-11 | A5C1404500 | 3-20 | A795622600 | 22A-17 | A7AH116300 | 11-20 | A7AH138700 | 3-17 |
| A161825700 | 29A-11 | A5C1404600 | 9-36 | A795622700 | 20A-18 | A7AH116500 | 11-22 | A7AH138800 | 3-18 |
| A161826001 | 14-19 | A5C1562200 | 13-14 | A795622700 | 22A-18 | A7AH116511 | 11-22 | A7AH139000 | 4-2 |
| A161826001 | 33-39 | A5C1562200 | 15-21 | A797603000 | 27-2 | A7AH116900 | 11-19 | A7AH139101 | 35-6 |
| A161891000 | 33-22 | A5C1F42000 | 9-31 | A797603200 | 28A-12 | A7AH120102 | 17-8 | A7AH139301 | 37-8 |
| A161892400 | 33-10 | A5C1M50100 | 6-4 | A797603301 | 28A-1 | A7AH121301 | 17-9 | A7AH139401 | 4-12 |
| A161894000 | 32-3 | A5C1M50100 | 7A-13 | A797603401 | 28A-3 | A7AH130101 | 37-10 | A7AH139412 | 4-12 |
| A161894000 | 33-1 | A5C1M50100 | 7-13 | A797603701 | 28A-8 | A7AH130300 | 37-4 | A7AH139600 | 4-16 |
| A161894100 | 32-2 | A5C1M50100 | 9-20 | A797893000 | 33-9 | A7AH130401 | 37-21 | A7AH139700 | 11-16 |
| A161897200 | 32-6 | A5C1M50100 | 10-2 | A797943000 | 2-19 | A7AH130600 | 37-2 | A7AH139900 | 11-10 |
| A161943000 | 20-9 | A5C1M50100 | 13-24 | A797944101 | 28A-42 | A7AH131000 | 37-31 | A7AH141100 | 36-4 |
| A161943000 | 20A-9 | A5C1M50100 | 14-7 | A797944201 | 28A-42 | A7AH131301 | 37-18 | A7AH141201 | 37-9 |
| A161943000 | 22A-9 | A5C1M50100 | 15-12 | A797M60100 | 18-11 | A7AH131301 | 37-30 | A7AH141300 | 36-1 |
| A161943000 | 22-9 | A5C1M50100 | 24-6 | A797M70002 | 4-5 | A7AH131500 | 31-9 | A7AH141400 | 2-9 |
| A161943000 | 28A-43 | A5C1M50100 | 24A-6 | A797M70102 | 4-5 | A7AH131600 | 31-10 | A7AH141411 | 2-9 |
| A161M10300 | 7-19 | A5C1M50100 | 25-22 | A797M70202 | 4-5 | A7AH131700 | 31-11 | A7AH142100 | 11-7 |
| A161M10300 | 7A-19 | A5C1M50100 | 28A-24 | A797M70302 | 4-5 | A7AH131800 | 31-12 | A7AH142300 | 11-1 |
| A161M50400 | 28A-31 | A5C1M50100 | 28-24 | A797M70402 | 4-5 | A7AH132101 | 38-9 | A7AH142700 | 11-6 |
| A161M50400 | 28-31 | A5C1M50100 | 30-11 | A7AH101105 | 35-5 | A7AH132200 | 38-4 | A7AH142800 | 11-4 |
| A161N15J00 | 37-25 | A5C1M72H00 | 37-23 | A7AH101201 | 35-7 | A7AH132300 | 38-5 | A7AH142900 | 11-3 |
| A1UD104500 | 8-1 | A5C1N30000 | 38-11 | A7AH101212 | 35-7 | A7AH132400 | 38-7 | A7AH145100 | 35-3 |
| A1UD721500 | 33-18 | A61DM10200 | 34-34 | A7AH101600 | 17-1 | A7AH132600 | 38-3 | A7AH145201 | 35-10 |
| A1UD721500 | 33-43 | A64J815500 | 26-20 | A7AH101900 | 17-3 | A7AH132702 | 38-9 | A7AH145401 | 29-29 |
| A1UD722700 | 33-29 | A795565500 | 20A-35 | A7AH102000 | 17-2 | A7AH132801 | 38-1 | A7AH145401 | 29A-29 |
| A1UD722700 | 33-44 | A795565500 | 22A-35 | A7AH102100 | 1-13 | A7AH132900 | 38-6 | A7AH146100 | 35-14 |
| A1UD947400 | 41-10 | A795565700 | 20A-32 | A7AH102200 | 1-11 | A7AH133101 | 31-4 | A7AH146301 | 35-15 |
| A1UDM30900 | 11-5 | A795565700 | 22A-32 | A7AH102300 | 17-5 | A7AH133201 | 31-3 | A7AH146312 | 35-15 |
| A1UDN30200 | 41-11 | A795565800 | 20A-33 | A7AH102500 | 31-14 | A7AH133300 | 12-4 | A7AH146800 | 35-13 |
| A2UPN30100 | 41-11 | A795565800 | 22A-33 | A7AH103000 | 17-7 | A7AH134200 | 8-10 | A7AH147100 | 35-8 |
| A2UPN30300 | 41-11 | A795565900 | 20A-31 | A7AH112102 | 11-13 | A7AH134500 | 31-2 | A7AH160102 | 1-1 |
| A2UPN30601 | 41-11 | A795565900 | 22A-31 | A7AH112300 | 11-9 | A7AH134600 | 4-1 | A7AH160202 | 1-9 |
| A2XN374800 | 10-9 | A795566000 | 20A-40 | A7AH112500 | 3-5 | A7AH134700 | 34-35 | A7AH160300 | 1-9 |
| A3EW944600 | 5-10 | A795566000 | 22A-40 | A7AH112600 | 3-1 | A7AH134800 | 1-12 | A7AH160505 | 2-7 |
| A3EWM90200 | 37-15 | A795620800 | 20A-10 | A7AH112800 | 3-7 | A7AH135000 | 2-18 | A7AH160601 | 1-16 |
| A49FM90100 | 37-14 | A795620800 | 22A-10 | A7AH112900 | 3-4 | A7AH135100 | 35-4 | A7AH160700 | 1-14 |
| A4EU138000 | 7A-16 | A795621301 | 20A-6 | A7AH113000 | 3-6 | A7AH135202 | 3-11 | A7AH160802 | 1-15 |
| A4EU138000 | 7-16 | A795621301 | 22A-6 | A7AH115101 | 35-1 | A7AH135302 | 3-11 | A7AH161003 | 1-2 |
| A4EU138000 | 37-20 | A795622500 | 20A-19 | A7AH116100 | 11-18 | A7AH136301 | 11-8 | A7AH161300 | 1-7 |

| Parts No. | Page No. | Parts No. | Page No. | Parts No. | Page No. | Parts No. | Page No. | Parts No. | Page No. |
|------------|----------|------------|----------|------------|----------|------------|----------|------------|----------|
| A7AH161400 | 4-17 | A7AH214300 | 34-24 | A7AH266300 | 5-6 | A7AH406000 | 9-15 | A7AH564401 | 16-12 |
| A7AH161501 | 4-11 | A7AH214701 | 34-4 | A7AH266506 | 5-8 | A7AH406201 | 9-26 | A7AH565000 | 14-12 |
| A7AH161602 | 4-14 | A7AH214800 | 34-3 | A7AH266601 | 5-9 | A7AH406300 | 9-18 | A7AH565000 | 16-9 |
| A7AH161614 | 4-14 | A7AH215101 | 34-5 | A7AH266800 | 5-3 | A7AH560101 | 13-6 | A7AH565100 | 13-3 |
| A7AH161700 | 4-13 | A7AH215400 | 34-2 | A7AH266800 | 41-4 | A7AH560112 | 13-6 | A7AH565301 | 13-5 |
| A7AH161801 | 4-8 | A7AH216500 | 34-19 | A7AH267000 | 5-2 | A7AH560201 | 13-22 | A7AH565301 | 15-11 |
| A7AH161900 | 4-7 | A7AH217002 | 34-31 | A7AH267201 | 5-5 | A7AH560212 | 13-22 | A7AH565702 | 13-7 |
| A7AH162001 | 4-6 | A7AH217100 | 34-29 | A7AH280400 | 7-21 | A7AH560500 | 13-9 | A7AH565702 | 15-15 |
| A7AH162100 | 4-4 | A7AH218100 | 10-3 | A7AH280400 | 7A-21 | A7AH560500 | 15-16 | A7AH566001 | 13-4 |
| A7AH162300 | 1-8 | A7AH218300 | 10-4 | A7AH280500 | 7A-12 | A7AH560700 | 14-4 | A7AH568402 | 14-2 |
| A7AH162400 | 2-5 | A7AH218400 | 10-6 | A7AH280500 | 7-12 | A7AH560800 | 14-3 | A7AH568414 | 14-2 |
| A7AH162500 | 1-5 | A7AH218500 | 10-7 | A7AH280700 | 7A-11 | A7AH561300 | 14-16 | A7AH568500 | 14-5 |
| A7AH162700 | 32-4 | A7AH218702 | 10-5 | A7AH280700 | 7-11 | A7AH561300 | 16-13 | A7AH568500 | 16-3 |
| A7AH162802 | 2-2 | A7AH261700 | 7-10 | A7AH280800 | 7A-18 | A7AH561601 | 13-8 | A7AH568600 | 14-8 |
| A7AH162902 | 2-3 | A7AH261700 | 7A-10 | A7AH280800 | 7-18 | A7AH561601 | 15-30 | A7AH568700 | 16-5 |
| A7AH163001 | 2-6 | A7AH261802 | 7-9 | A7AH280900 | 7-22 | A7AH562100 | 13-20 | A7AH568800 | 12-2 |
| A7AH163201 | 41-2 | A7AH261813 | 7-9 | A7AH280900 | 7A-22 | A7AH562100 | 15-26 | A7AH568900 | 12-1 |
| A7AH163301 | 2-8 | A7AH261813 | 7-9 | A7AH281300 | 7A-14 | A7AH562300 | 13-16 | A7AH569500 | 13-23 |
| A7AH163403 | 2-12 | A7AH261902 | 7-20 | A7AH281300 | 7-14 | A7AH562300 | 15-23 | A7AH569500 | 15-28 |
| A7AH164500 | 3-9 | A7AH261902 | 7A-20 | A7AH281600 | 7A-15 | A7AH562400 | 13-10 | A7AH570100 | 14-18 |
| A7AH164600 | 2-1 | A7AH262101 | 7-5 | A7AH281600 | 7-15 | A7AH562400 | 15-17 | A7AH570200 | 14-20 |
| A7AH164701 | 2-11 | A7AH262101 | 7-5 | A7AH281701 | 6-6 | A7AH562600 | 13-15 | A7AH571100 | 15-13 |
| A7AH164800 | 2-15 | A7AH262501 | 6-12 | A7AH281800 | 7A-17 | A7AH562600 | 15-22 | A7AH578100 | 15-7 |
| A7AH165003 | 3-2 | A7AH262700 | 7-23 | A7AH281800 | 7-17 | A7AH562801 | 13-19 | A7AH578200 | 15-10 |
| A7AH165100 | 3-20 | A7AH262700 | 7-23 | A7AH285102 | 6-1 | A7AH562801 | 15-31 | A7AH578401 | 16-2 |
| A7AH165201 | 10-11 | A7AH262900 | 7-4 | A7AH285400 | 6-2 | A7AH562900 | 13-18 | A7AH578413 | 16-2 |
| A7AH166602 | 4-9 | A7AH262911 | 7-4 | A7AH285502 | 6-3 | A7AH562900 | 15-25 | A7AH578600 | 15-9 |
| A7AH166700 | 41-3 | A7AH262911 | 7-4 | A7AH362700 | 10-10 | A7AH563101 | 14-13 | A7AH578800 | 15-8 |
| A7AH167001 | 2-4 | A7AH263000 | 7-25 | A7AH400100 | 9-14 | A7AH563101 | 16-10 | A7AH579101 | 15-6 |
| A7AH169900 | 1-20 | A7AH263100 | 7-26 | A7AH400700 | 9-19 | A7AH563400 | 13-17 | A7AH579300 | 15-29 |
| A7AH211700 | 34-23 | A7AH263600 | 6-14 | A7AH401300 | 9-25 | A7AH563400 | 15-24 | A7AH600102 | 28-8 |
| A7AH212000 | 34-25 | A7AH263700 | 7A-9 | A7AH402000 | 9-1 | A7AH563700 | 15-1 | A7AH600203 | 28-36 |
| A7AH212100 | 34-22 | A7AH263700 | 7-9 | A7AH402100 | 9-11 | A7AH563800 | 15-3 | A7AH600300 | 27-4 |
| A7AH212200 | 34-21 | A7AH263800 | 7-4 | A7AH403201 | 9-16 | A7AH563902 | 14-1 | A7AH600400 | 27-2 |
| A7AH212300 | 34-20 | A7AH263800 | 7A-26 | A7AH403300 | 9-12 | A7AH563902 | 16-1 | A7AH600504 | 27-11 |
| A7AH212600 | 34-18 | A7AH263900 | 7A-5 | A7AH403500 | 9-13 | A7AH563914 | 14-1 | A7AH600601 | 28A-18 |
| A7AH212800 | 34-16 | A7AH263900 | 7-5 | A7AH404300 | 9-21 | A7AH563914 | 16-1 | A7AH600601 | 28-18 |
| A7AH213000 | 34-17 | A7AH264000 | 7-23 | A7AH405100 | 9-1 | A7AH564112 | 14-14 | A7AH600700 | 26-10 |
| A7AH213500 | 34-13 | A7AH264000 | 7A-23 | A7AH405200 | 9-1 | A7AH564112 | 16-11 | A7AH600801 | 27-20 |
| A7AH213902 | 34-15 | A7AH266203 | 5-1 | A7AH405300 | 9-1 | A7AH564401 | 14-15 | A7AH601100 | 27-5 |

| Parts No. | Page No. | Parts No. | Page No. | Parts No. | Page No. | Parts No. | Page No. | Parts No. | Page No. |
|------------|----------|------------|----------|------------|----------|------------|----------|------------|----------|
| A7AH601202 | 28-30 | A7AH620500 | 22A-27 | A7AH622100 | 22-3 | A7AH624600 | 22A-1 | A7AH700901 | 24-16 |
| A7AH601202 | 28A-30 | A7AH620601 | 20-19 | A7AH622201 | 20A-25 | A7AH625101 | 19-10 | A7AH701000 | 24-11 |
| A7AH601300 | 28A-20 | A7AH620601 | 22-19 | A7AH622201 | 20-25 | A7AH625200 | 21-10 | A7AH701100 | 24-14 |
| A7AH601300 | 28-20 | A7AH620801 | 20-10 | A7AH622201 | 22A-25 | A7AH626901 | 19-9 | A7AH701700 | 25-26 |
| A7AH601400 | 28-22 | A7AH620801 | 22-10 | A7AH622201 | 22-25 | A7AH626901 | 21-9 | A7AH701901 | 23-13 |
| A7AH601400 | 28A-22 | A7AH620902 | 20-4 | A7AH622401 | 20A-13 | A7AH627000 | 20-24 | A7AH702002 | 25-20 |
| A7AH601700 | 28-12 | A7AH620902 | 22-4 | A7AH622401 | 20-13 | A7AH627000 | 20A-24 | A7AH702101 | 25-28 |
| A7AH601901 | 28-3 | A7AH620913 | 20-4 | A7AH622401 | 22A-13 | A7AH627000 | 22-24 | A7AH702200 | 25-17 |
| A7AH602001 | 28-5 | A7AH620913 | 20A-4 | A7AH622401 | 22-13 | A7AH627000 | 22A-24 | A7AH703001 | 25-8 |
| A7AH602200 | 27-15 | A7AH620913 | 22A-4 | A7AH622600 | 20A-29 | A7AH627400 | 18A-8 | A7AH703101 | 25-12 |
| A7AH602701 | 27-9 | A7AH620913 | 22-4 | A7AH622600 | 20-29 | A7AH627501 | 18A-1 | A7AH703201 | 25-2 |
| A7AH603000 | 27-14 | A7AH621000 | 20-7 | A7AH622600 | 22-29 | A7AH627600 | 18A-7 | A7AH703301 | 25-3 |
| A7AH603100 | 27-22 | A7AH621000 | 20A-7 | A7AH622600 | 22A-29 | A7AH627701 | 18A-2 | A7AH703401 | 23-11 |
| A7AH603200 | 27-23 | A7AH621000 | 22A-7 | A7AH622700 | 20-30 | A7AH627800 | 18A-4 | A7AH703500 | 23-20 |
| A7AH603300 | 28-11 | A7AH621000 | 22-7 | A7AH622700 | 20A-30 | A7AH627900 | 18A-3 | A7AH703600 | 23-6 |
| A7AH603300 | 28A-11 | A7AH621200 | 20-8 | A7AH622700 | 22A-30 | A7AH628200 | 20A-11 | A7AH704101 | 25-19 |
| A7AH603400 | 28A-34 | A7AH621200 | 20A-8 | A7AH622700 | 22-30 | A7AH628200 | 20-11 | A7AH704201 | 34-7 |
| A7AH603400 | 28-34 | A7AH621200 | 22A-8 | A7AH622901 | 19-3 | A7AH628200 | 22A-11 | A7AH704400 | 23-5 |
| A7AH604101 | 27-16 | A7AH621200 | 22-8 | A7AH622901 | 21-3 | A7AH628200 | 22-11 | A7AH704500 | 23-4 |
| A7AH604204 | 28A-13 | A7AH621300 | 20-6 | A7AH623201 | 19-15 | A7AH629600 | 20A-14 | A7AH704601 | 34-11 |
| A7AH604204 | 28-13 | A7AH621300 | 22-6 | A7AH623201 | 21-15 | A7AH629600 | 20-14 | A7AH704701 | 34-12 |
| A7AH604300 | 27-17 | A7AH621401 | 20-21 | A7AH623400 | 19-4 | A7AH629600 | 22A-14 | A7AH704900 | 34-6 |
| A7AH604401 | 28A-6 | A7AH621401 | 20A-21 | A7AH623400 | 21-4 | A7AH629600 | 22-14 | A7AH705002 | 29-4 |
| A7AH604401 | 28-6 | A7AH621401 | 22-21 | A7AH623501 | 20-18 | A7AH629901 | 19-2 | A7AH705100 | 29-7 |
| A7AH604501 | 28A-2 | A7AH621401 | 22A-21 | A7AH623501 | 22-18 | A7AH629901 | 21-2 | A7AH705201 | 26-2 |
| A7AH604501 | 28-2 | A7AH621502 | 20-26 | A7AH623602 | 20-2 | A7AH630104 | 21-13 | A7AH705301 | 26-4 |
| A7AH604700 | 27-25 | A7AH621502 | 22-26 | A7AH623602 | 20A-2 | A7AH630200 | 21-13 | A7AH705401 | 26-9 |
| A7AH604900 | 27-21 | A7AH621601 | 20-1 | A7AH623602 | 22A-2 | A7AH635000 | 20A-34 | A7AH705502 | 26-18 |
| A7AH605100 | 27-12 | A7AH621601 | 22-1 | A7AH623602 | 22-2 | A7AH635000 | 22A-34 | A7AH705600 | 29-3 |
| A7AH606100 | 28A-39 | A7AH621612 | 20-1 | A7AH623700 | 20-28 | A7AH635100 | 20A-36 | A7AH705611 | 29-3 |
| A7AH606400 | 28A-32 | A7AH621612 | 22-1 | A7AH623700 | 20A-28 | A7AH635100 | 22A-36 | A7AH705623 | 29A-3 |
| A7AH606600 | 28A-36 | A7AH621701 | 20-17 | A7AH623700 | 22-28 | A7AH635200 | 20A-39 | A7AH705623 | 29-3 |
| A7AH606700 | 28A-9 | A7AH621701 | 22-17 | A7AH623700 | 22A-28 | A7AH635200 | 22A-39 | A7AH705700 | 26-6 |
| A7AH620105 | 19-13 | A7AH621801 | 20-22 | A7AH624100 | 19-5 | A7AH635300 | 20A-38 | A7AH705800 | 26-23 |
| A7AH620200 | 19-13 | A7AH621801 | 20A-22 | A7AH624200 | 21-5 | A7AH635300 | 22A-38 | A7AH705900 | 26-25 |
| A7AH620400 | 20-23 | A7AH621801 | 22-22 | A7AH624300 | 19-11 | A7AH635400 | 20A-37 | A7AH706000 | 26-5 |
| A7AH620400 | 20A-23 | A7AH621801 | 22A-22 | A7AH624300 | 21-11 | A7AH635400 | 22A-37 | A7AH706101 | 26-26 |
| A7AH620400 | 22-23 | A7AH622100 | 20A-3 | A7AH624500 | 20A-26 | A7AH700101 | 23-21 | A7AH706201 | 26-14 |
| A7AH620400 | 22A-23 | A7AH622100 | 20-3 | A7AH624500 | 22A-26 | A7AH700401 | 23-7 | A7AH706300 | 26-11 |
| A7AH620500 | 20A-27 | A7AH622100 | 22A-3 | A7AH624600 | 20A-1 | A7AH700500 | 23-8 | A7AH706400 | 26-12 |

| Parts No. | Page No. | Parts No. | Page No. | Parts No. | Page No. | Parts No. | Page No. | Parts No. | Page No. |
|------------|----------|------------|----------|------------|----------|------------|----------|------------|----------|
| A7AH706500 | 26-7 | A7AH813500 | 24A-9 | A7AH817700 | 23-16 | A7AH892200 | 33-21 | A7AH946200 | 9-7 |
| A7AH706600 | 26-22 | A7AH813500 | 24-15 | A7AH818000 | 24-23 | A7AH892300 | 29A-32 | A7AH947201 | 41-7 |
| A7AH706700 | 26-3 | A7AH813600 | 29A-13 | A7AH818000 | 24A-23 | A7AH892300 | 29-32 | A7AH947301 | 41-7 |
| A7AH706902 | 25-4 | A7AH813600 | 29-13 | A7AH818100 | 24-22 | A7AH892300 | 33-28 | A7AH947401 | 41-7 |
| A7AH707101 | 34-9 | A7AH814000 | 29-12 | A7AH818100 | 24A-22 | A7AH893000 | 30-19 | A7AH947600 | 41-7 |
| A7AH707201 | 34-8 | A7AH814011 | 29A-12 | A7AH818200 | 24A-24 | A7AH893102 | 30-14 | A7AH955500 | 41-13 |
| A7AH707300 | 25-24 | A7AH814011 | 29-12 | A7AH818200 | 24-24 | A7AH893301 | 30-18 | A7AHH00C00 | 37-12 |
| A7AH707403 | 25-18 | A7AH814100 | 29A-26 | A7AH818300 | 24A-18 | A7AH893302 | 30-18 | A7AHH00R00 | 7A-4 |
| A7AH707500 | 25-15 | A7AH814100 | 29-26 | A7AH818300 | 24-38 | A7AH893400 | 30-16 | A7AHH00R00 | 7-28 |
| A7AH707600 | 23-9 | A7AH814300 | 29A-23 | A7AH818500 | 24-40 | A7AH894000 | 30-21 | A7AHH02022 | 37-5 |
| A7AH707700 | 23-2 | A7AH814300 | 29-23 | A7AH819000 | 24A-17 | A7AH894001 | 30-21 | A7AHH02022 | 37-5 |
| A7AH708100 | 25-23 | A7AH814400 | 29A-22 | A7AH819000 | 24-25 | A7AH895601 | 33-6 | A7AHH02E03 | 37-34 |
| A7AH708200 | 23-3 | A7AH814400 | 29-22 | A7AH819100 | 24A-20 | A7AH940100 | 1-18 | A7AHH02S02 | 37-27 |
| A7AH708500 | 23-22 | A7AH814500 | 29-21 | A7AH819100 | 24-20 | A7AH941001 | 19-12 | A7AHM10400 | 9-27 |
| A7AH708600 | 25-9 | A7AH814600 | 29-16 | A7AH819200 | 24A-16 | A7AH941001 | 21-12 | A7AHM10400 | 34-33 |
| A7AH708700 | 25-10 | A7AH814700 | 29-15 | A7AH819200 | 24-26 | A7AH941101 | 19-8 | A7AHM10700 | 29-27 |
| A7AH708800 | 23-12 | A7AH814901 | 29-14 | A7AH819400 | 30-23 | A7AH941201 | 21-8 | A7AHM10700 | 29A-27 |
| A7AH708900 | 25-5 | A7AH814901 | 29A-14 | A7AH819502 | 24A-11 | A7AH941300 | 20-16 | A7AHM10700 | 32-7 |
| A7AH709000 | 29-6 | A7AH815100 | 29-34 | A7AH819502 | 24-31 | A7AH941300 | 20A-16 | A7AHM20401 | 15-4 |
| A7AH709100 | 29A-33 | A7AH815200 | 29A-25 | A7AH819700 | 33-41 | A7AH941300 | 22A-16 | A7AHM20401 | 27-19 |
| A7AH709100 | 29-36 | A7AH815200 | 29-35 | A7AH819900 | 33-42 | A7AH941300 | 22-16 | A7AHM20501 | 13-1 |
| A7AH709200 | 25-29 | A7AH815500 | 29-25 | A7AH890102 | 33-38 | A7AH942000 | 41-8 | A7AHM20501 | 15-2 |
| A7AH709900 | 23-24 | A7AH815601 | 29-17 | A7AH890200 | 33-31 | A7AH942100 | 41-9 | A7AHM40600 | 8-9 |
| A7AH729501 | 41-12 | A7AH815700 | 29-24 | A7AH890300 | 33-2 | A7AH942400 | 1-18 | A7AHM50100 | 6-5 |
| A7AH810102 | 33-15 | A7AH816002 | 24-5 | A7AH890402 | 33-27 | A7AH942500 | 1-18 | A7AHM50100 | 6-13 |
| A7AH810201 | 32-1 | A7AH816013 | 24-5 | A7AH890501 | 33-32 | A7AH943001 | 29A-5 | A7AHM50400 | 3-10 |
| A7AH811100 | 33-7 | A7AH816100 | 24-35 | A7AH890700 | 33-25 | A7AH943001 | 29-5 | A7AHM60100 | 18A-5 |
| A7AH811200 | 32-5 | A7AH816200 | 24-34 | A7AH890800 | 33-23 | A7AH943100 | 28-1 | A7AHM60200 | 31-13 |
| A7AH811300 | 33-11 | A7AH816300 | 23-19 | A7AH890900 | 33-26 | A7AH943200 | 28-1 | A7AHM90000 | 7A-8 |
| A7AH811500 | 33-14 | A7AH816400 | 24-36 | A7AH891000 | 33-5 | A7AH943401 | 20A-43 | A7AHM90000 | 7-8 |
| A7AH812002 | 33-20 | A7AH816500 | 24-4 | A7AH891100 | 30-15 | A7AH943401 | 22A-43 | A7AHM90100 | 7A-7 |
| A7AH812800 | 24A-7 | A7AH816604 | 24-28 | A7AH891200 | 33-33 | A7AH943501 | 20A-42 | A7AHM90100 | 7-7 |
| A7AH812800 | 24-33 | A7AH816615 | 24-28 | A7AH891300 | 33-37 | A7AH943501 | 22A-42 | A7AHM90100 | 7-7 |
| A7AH812901 | 24-18 | A7AH816701 | 23-17 | A7AH891400 | 33-35 | A7AH943602 | 22A-44 | A7AHM90200 | 7A-24 |
| A7AH813001 | 30-2 | A7AH817000 | 23-18 | A7AH891500 | 33-16 | A7AH943701 | 28A-25 | A7AHM90200 | 7-24 |
| A7AH813102 | 29-28 | A7AH817101 | 24A-15 | A7AH891700 | 33-34 | A7AH944000 | 24-13 | A7AHM90300 | 31-6 |
| A7AH813102 | 29A-28 | A7AH817101 | 24-27 | A7AH891800 | 33-19 | A7AH944100 | 24-8 | A7AHM92000 | 2-13 |
| A7AH813200 | 29-1 | A7AH817200 | 24-37 | A7AH891901 | 33-4 | A7AH944100 | 24A-8 | A7AHM92100 | 2-14 |
| A7AH813200 | 29A-1 | A7AH817301 | 24-10 | A7AH892000 | 33-3 | A7AH944200 | 29A-9 | A7AHN10001 | 38-16 |
| A7AH813300 | 30-13 | A7AH817301 | 29A-24 | A7AH892101 | 33-30 | A7AH944200 | 29-9 | A7AHN10101 | 38-14 |

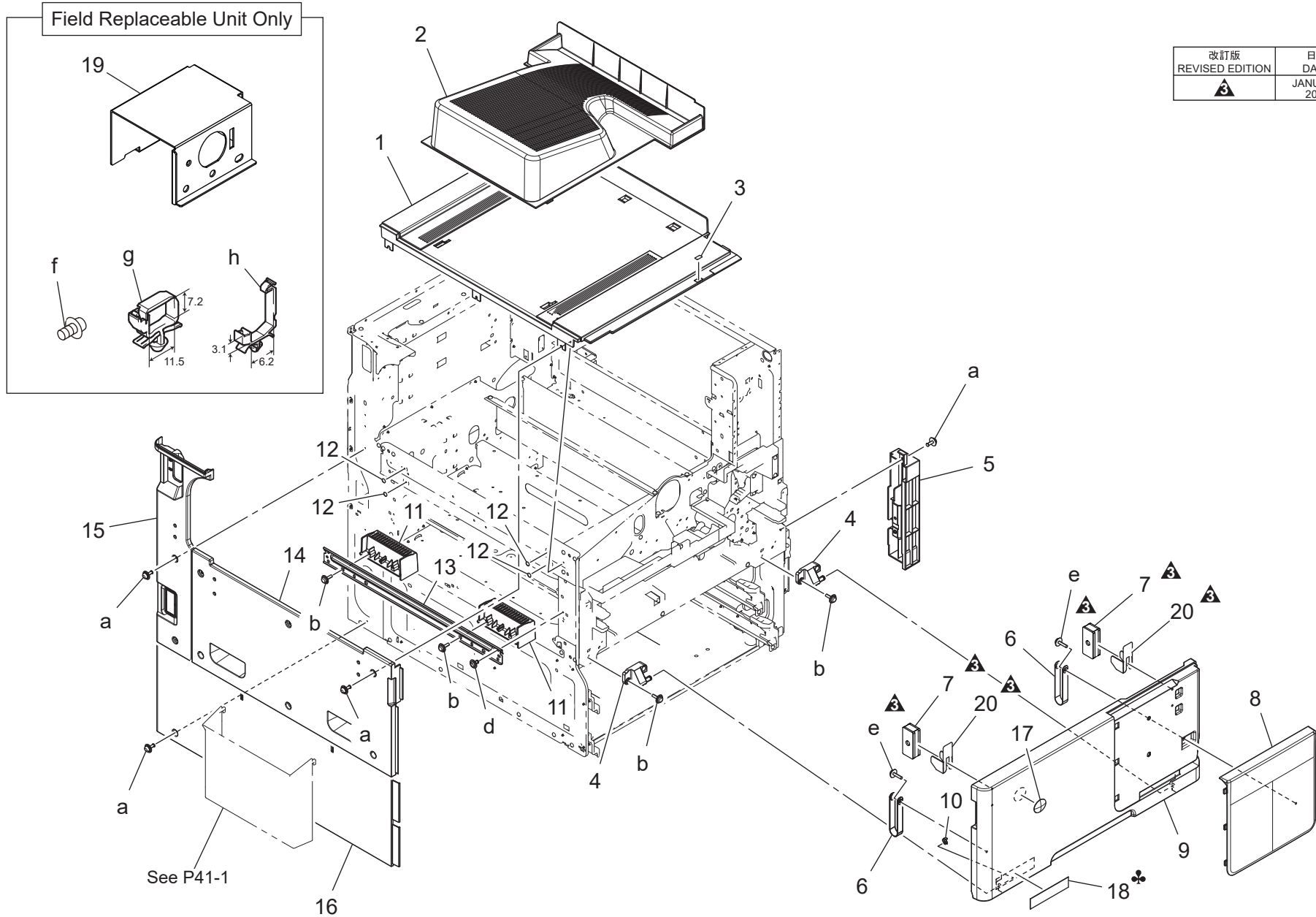
| Parts No. | Page No. | Parts No. | Page No. | Parts No. | Page No. | Parts No. | Page No. | Parts No. | Page No. |
|------------|----------|------------|----------|------------|----------|------------|----------|-------------|----------|
| A7AHN10201 | 38-10 | A7AHN30000 | 41-11 | A7AHPP7400 | 24A-3 | A7AHR70100 | 8-2 | A7PU663200 | 15-5 |
| A7AHN10401 | 31-1 | A7AHP00100 | 19-16 | A7AHPP7500 | 24A-2 | A7AHR70200 | 34-32 | A7PU941701 | 2-17 |
| A7AHN10500 | 8-5 | A7AHP00100 | 21-16 | A7AHPP7600 | 24A-4 | A7AHR70300 | 11-14 | A7PU944601 | 29-37 |
| A7AHN10600 | 8-8 | A7AHP00200 | 19-17 | A7AHPP7700 | 29A-34 | A7AHR70600 | 36-5 | A7PUF60001 | 28A-37 |
| A7AHN10700 | 8-14 | A7AHP00200 | 21-17 | A7AHPP7800 | 24A-12 | A7AHR70700 | 34-1 | A7PUM92600 | 2-20 |
| A7AHN10800 | 8-4 | A7AHP00300 | 21-18 | A7AHPP7900 | 29A-7 | A7AHR70833 | 5-4 | A7PUP00100 | 4-20 |
| A7AHN10902 | 37-7 | A7AHP00400 | 5-11 | A7AHPP8000 | 29A-15 | A7AHR70900 | 9-35 | A7XW0Y1 | 41-6 |
| A7AHN11102 | 39-1 | A7AHP00500 | 5-12 | A7AHPP8100 | 29A-16 | A7AHR71000 | 9-35 | A7XW0Y1 | 41-6 |
| A7AHN11301 | 11-23 | A7AHP00600 | 28-37 | A7AHPP8200 | 29A-17 | A7AHR71100 | 9-35 | A7XW0Y2 | 41-6 |
| A7AHN11401 | 11-15 | A7AHP00600 | 28A-47 | A7AHPP8700 | 30-13 | A7AHR71200 | 9-35 | A890R70033 | 7-1 |
| A7AHN11802 | 30-17 | A7AHP01100 | 4-19 | A7AHPP8800 | 29A-18 | A7AHR71322 | 12-3 | A890R70211 | 7-3 |
| A7AHN11901 | 28-25 | A7AHP02000 | 1-19 | A7AHPP8900 | 29A-19 | A7AHR71611 | 27-1 | A890R70300 | 7-1 |
| A7AHN12100 | 13-21 | A7AHPP3200 | 36-5 | A7AHPP9000 | 23-19 | A7AHR71611 | 27-1 | A890R70300 | 7A-1 |
| A7AHN12200 | 18-7 | A7AHPP3200 | 36-5 | A7AHPP9100 | 23-17 | A7AHR71700 | 28-35 | A890R70400 | 7A-3 |
| A7AHN12200 | 18A-9 | A7AHPP3300 | 36-5 | A7AHPP9200 | 24A-14 | A7AHR71800 | 29-2 | A891R70100 | 8-11 |
| A7AHN12400 | 25-21 | A7AHPP3300 | 36-5 | A7AHPP9300 | 24A-10 | A7AHR71800 | 29A-2 | A891R70100 | 8-11 |
| A7AHN12800 | 6-11 | A7AHPP3400 | 19-1 | A7AHPP9400 | 24A-5 | A7AHR71900 | 23-1 | A8JEN30200 | 38-19 |
| A7AHN12S00 | 7A-6 | A7AHPP3400 | 19-1 | A7AHPP9500 | 29A-20 | A7AHR71911 | 23-1 | AA90G169900 | 41-1 |
| A7AHN12S00 | 7-29 | A7AHPP3500 | 21-1 | A7AHPP9600 | 29A-21 | A7AHR72000 | 24A-1 | AA2J943701 | 20A-41 |
| A7AHN12T00 | 7A-25 | A7AHPP3500 | 21-1 | A7AHPP9700 | 33-38 | A7AHR72000 | 24-1 | AA2J943701 | 22A-41 |
| A7AHN12T00 | 7-30 | A7AHPP3602 | 27-1 | A7AHPP9800 | 33-31 | A7AHR72100 | 25-27 | AA6RN30000 | 38-15 |
| A7AHN12V02 | 7-6 | A7AHPP3602 | 27-1 | A7AHPP9900 | 33-30 | A7AHR72211 | 31-5 | AA7N945700 | 2-10 |
| A7AHN12V14 | 7-6 | A7AHPP3700 | 23-1 | A7AHPPA000 | 30-19 | A7AHR72311 | 31-5 | ACM1944500 | 28A-41 |
| A7AHN12W00 | 6-7 | A7AHPP3800 | 31-5 | A7AHPPA100 | 33-28 | A7AHR72411 | 31-5 | V116030804 | 41-5 |
| A7AHN12Y02 | 7A-2 | A7AHPP3900 | 31-5 | A7AHPPA200 | 32-3 | A7AHR72500 | 33-24 | V500010081 | 40-1 |
| A7AHN12Y02 | 7-2 | A7AHPP4000 | 31-5 | A7AHPPA200 | 33-1 | A7AHR72600 | 35-12 | V500010083 | 40-2 |
| A7AHN13000 | 24A-13 | A7AHPP4100 | 32-8 | A7AHPPA300 | 30-14 | A7AHR72711 | 27-24 | V500010084 | 40-3 |
| A7AHN13000 | 24-29 | A7AHPP4300 | 31-5 | A7AHPPA400 | 11-20 | A7AHR72800 | 18A-6 | V500010085 | 40-4 |
| A7AHN13100 | 15-27 | A7AHPP4400 | 38-4 | A7AHPPA400 | 11-20 | A7AHR72900 | 25-7 | V500020052 | 40-14 |
| A7AHN13200 | 28-32 | A7AHPP4500 | 37-13 | A7AHPPB300 | 35-2 | A7AHR73100 | 7-27 | V500020073 | 40-15 |
| A7AHN13600 | 38-2 | A7AHPP4600 | 37-32 | A7AHPPB300 | 35-2 | A7AHR73511 | 31-5 | V500020098 | 40-5 |
| A7AHN13700 | 3-19 | A7AHPP4700 | 35-18 | A7AHPPB500 | 6-9 | A7AHR73700 | 32-8 | V500020099 | 40-6 |
| A7AHN13800 | 8-6 | A7AHPP6200 | 1-14 | A7AHPPB600 | 25-12 | A7AHR73800 | 5-4 | V500020100 | 40-7 |
| A7AHN13900 | 8-15 | A7AHPP6400 | 32-4 | A7AHPPB700 | 25-31 | A7AHR73900 | 7-31 | V500020108 | 40-8 |
| A7AHN15100 | 37-24 | A7AHPP6800 | 28A-40 | A7AHPPB800 | 29A-6 | A7AHR74011 | 25-33 | V502010036 | 37-1 |
| A7AHN15301 | 4-15 | A7AHPP6900 | 28A-5 | A7AHPPB900 | 30-24 | A7AHR74111 | 25-33 | V502010043 | 8-7 |
| A7AHN15600 | 4-3 | A7AHPP7000 | 23-2 | A7AHPPC300 | 28A-45 | A7PU135700 | 38-12 | V503010002 | 37-17 |
| A7AHN15A00 | 37-16 | A7AHPP7100 | 23-21 | A7AHPPC400 | 28A-44 | A7PU169700 | 41-14 | V503010002 | 37-29 |
| A7AHN15A00 | 37-28 | A7AHPP7200 | 25-18 | A7AHPPC700 | 28A-46 | A7PU593500 | 28A-38 | V570010021 | 40-9 |
| A7AHN16400 | 31-7 | A7AHPP7300 | 25-17 | A7AHR70000 | 8-3 | A7PU663200 | 13-2 | V570010057 | 40-10 |

| Parts No. | Page No. |
|------------|----------|
| V570010060 | 40-11 |
| V651010045 | 35-17 |
| V800500300 | 23-23 |
| V800500300 | 25-32 |
| V865300085 | 37-33 |

EXTERNAL PARTS

P 1

| | |
|------------------------|-----------------|
| 改訂版 REVISED EDITION | 日付 DATE |
| | JANUARY 2018 |



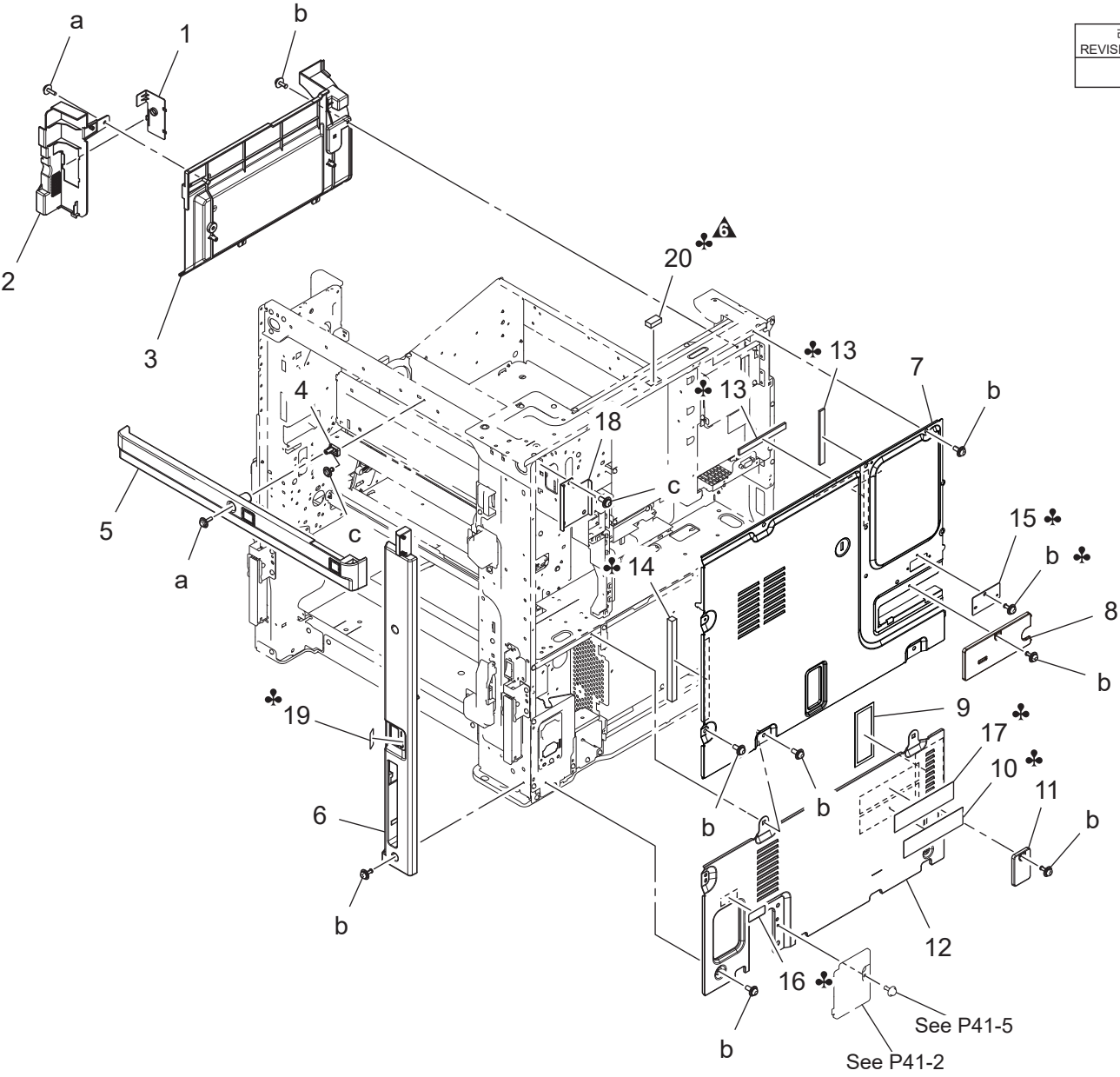
EXTERNAL PARTS

| Key | Part No. | Description | Destinations | Class | QTY | Standard parts |
|-----|---------------|--------------------------|------------------------|-------|-----|--|
| 1 | A7AH160102 | Cover /Upper | | C | 1 | a-V116030804 b-V153030803 d-V144030603 e-V153031003 f-V127030603 g-V500010082 h-V500020099 |
| 2 | A7AH161003 | Tray | | C | 1 | |
| 3 | A0ED940700 | Label Toner 2 | | D | 1 | |
| 4 | A161165602 | Support Shaft | | C | 2 | |
| 5 | A7AH162500 | Cover Plate /Right front | | C | 1 | |
| 6 | A0ED162401 | Band | | D | 2 | |
| 7 | 4475260302Old | MAGNET CATCH | | D | 2 | |
| 7 | A0G6411200Old | Magnet /X | | D | 2 | |
| 7 | A7AH161300 | MAGNET | | D | 2 | |
| 8 | A7AH162300 | Open/close Cover /Right | | C | 1 | |
| 9 | A7AH160202Old | Open/close Cover /Front | | C | 1 | |
| 9 | A7AH160300 | Open/close Cover /Front | | C | 1 | |
| 10 | 56AA40490 | SHAFT STOPPER 4 | | C | 1 | |
| 11 | A7AH102200 | Handle /Left | | D | 2 | |
| 12 | A7AH134800 | Seal | | C | 4 | |
| 13 | A7AH102100 | Mounting Plate | | D | 1 | |
| 14 | A7AH160700 | Cover /Left | (Except Refresh Model) | C | 1 | |
| 14 | A7AHPP6200 | Cover Plate /Upper | (Refresh Model) | C | 1 | |
| 15 | A7AH160802 | Cover /Left | | C | 1 | |
| 16 | A7AH160601 | Holder | | C | 1 | |
| 17 | A00J945500 | Logo Mark | | C | 1 | |
| 18 | A7AH940100 | Label bizhub 287 | {bizhub 287} | C | 1 | |
| 18 | A7AH942500 | Label | {bizhub 128DN} | C | 1 | |
| 18 | A7AH942400 | Label | {bizhub 7528} | C | 1 | |
| 19 | A7AHP02000 | Mounting Plate | | D | 1 | |
| 20 | A7AH169900 | Spacer | | D | 2 | |
| | | | | | | |
| | | | | | | |
| | | | | | | |
| | | | | | | |
| | | | | | | |
| | | | | | | |
| | | | | | | |
| | | | | | | |

EXTERNAL PARTS

| | |
|------------------------|------------------|
| 改訂版 REVISED EDITION | 日付 DATE |
| ▲ | NOVEMBER 2017 |

FRONT

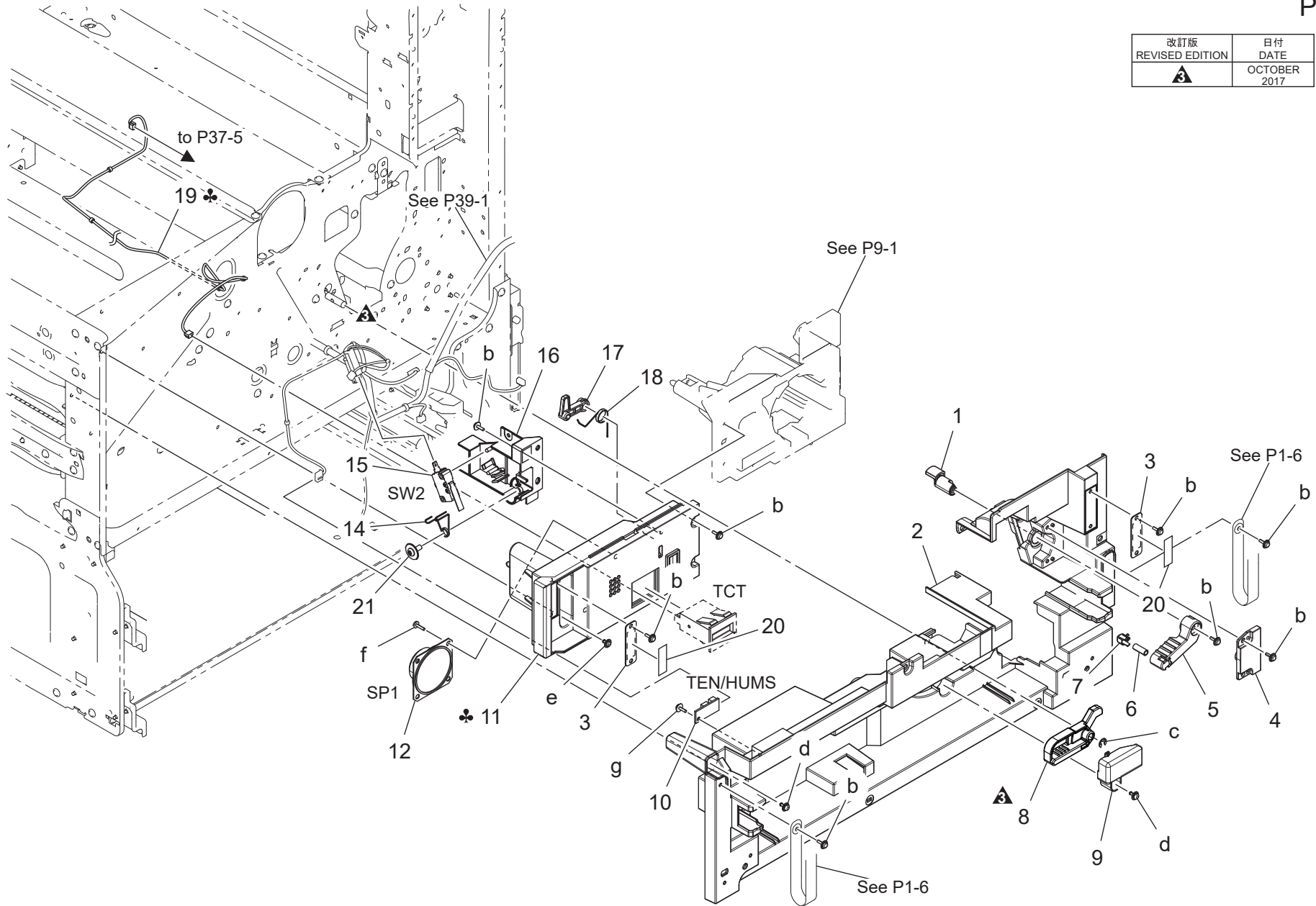



EXTERNAL PARTS

| Key | Part No. | Description | Destinations | Class | QTY | Standard parts |
|-----|---------------|-------------------------|--------------|-------|-----|--|
| 1 | A7AH164600 | Cover | | C | 1 | a-V153030804 b-V116030804 c-V144030603 |
| 2 | A7AH162802 | Cover | | C | 1 | |
| 3 | A7AH162902 | Cover | | C | 1 | |
| 4 | A7AH167001 | Mounting Plate | | C | 1 | |
| 5 | A7AH162400 | Cover | | C | 1 | |
| 6 | A7AH163001 | Cover Plate /Right rear | | C | 1 | |
| 7 | A7AH160505 | Cover Plate /Upper | | D | 1 | |
| 8 | A7AH163301 | Cover Plate /Right rear | | C | 1 | |
| 9 | A7AH141400Old | Filter | | C | 1 | |
| 9 | A7AH141411 | Filter | | C | 1 | |
| 10 | AA7N945700 | Label | | D | 1 | |
| 11 | A7AH164701 | Cover Plate /Lower | | C | 1 | |
| 12 | A7AH163403 | Cover Plate /Lower | | D | 1 | |
| 13 | A7AHM92000 | Gasket | | C | 2 | |
| 14 | A7AHM92100 | Gasket | | C | 1 | |
| 15 | A7AH164800 | Cover Plate /Upper | | D | 1 | |
| 16 | A02E149900 | Label | | C | 1 | |
| 17 | A7PU941701 | Label Caution | | C | 1 | |
| 18 | A7AH135000 | COVER /FRAME REAR | | D | 1 | |
| 19 | A797943000 | Label | | D | 1 | |
| 20 | A7PUM92600 | Gasket | | D | 1 | |
| | | | | | | |
| | | | | | | |
| | | | | | | |
| | | | | | | |
| | | | | | | |
| | | | | | | |
| | | | | | | |
| | | | | | | |
| | | | | | | |
| | | | | | | |

INNER COVER SECTION

| | |
|---|-----------------|
| 改訂版 REVISED EDITION | 日付 DATE |
|  | OCTOBER 2017 |

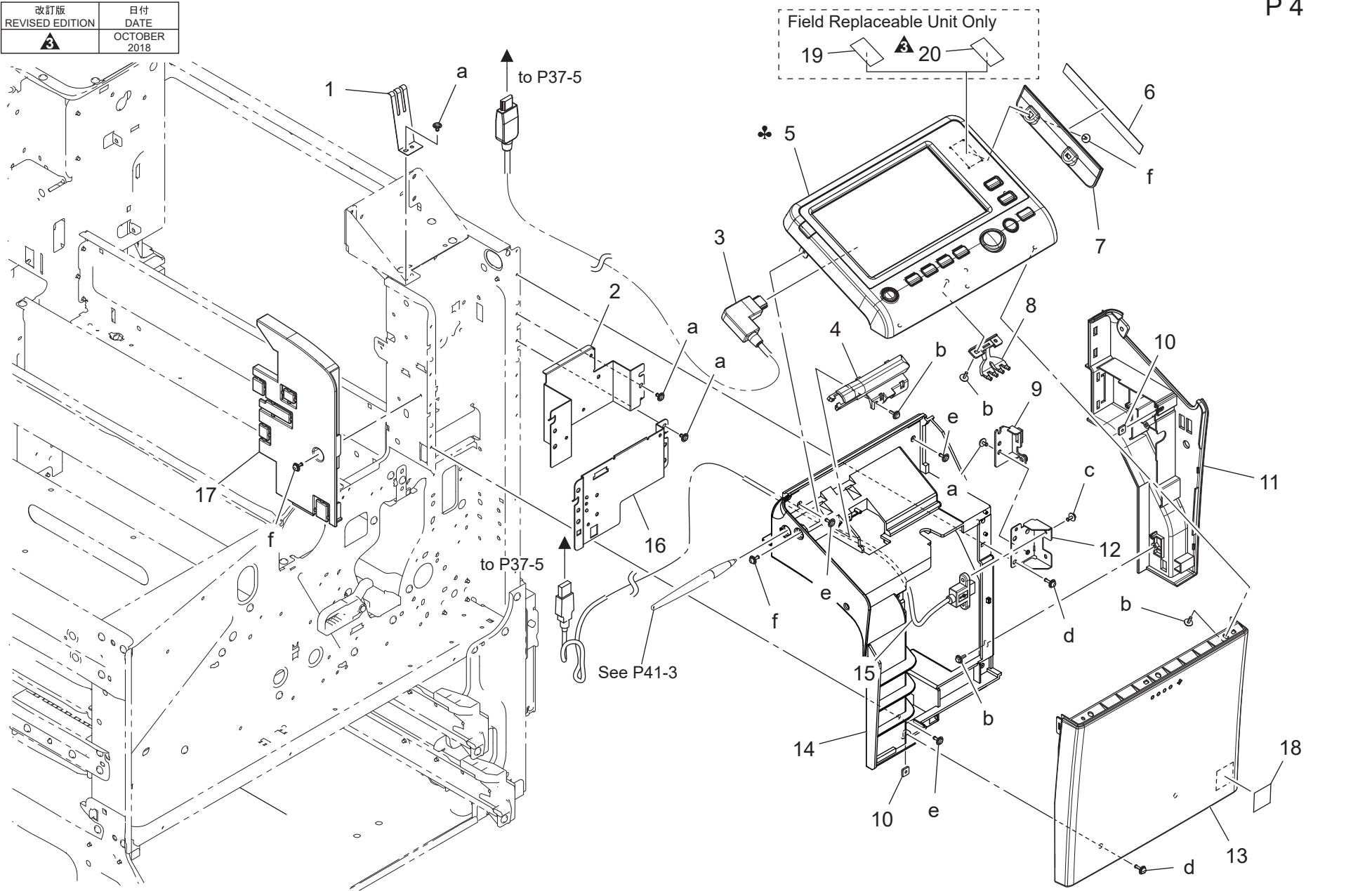


INNER COVER SECTION

| Key | Part No. | Description | Destinations | Class | QTY | Standard parts | |
|-----|---------------|-------------------------|--------------|-------|-----|--|--|
| 1 | A7AH112600 | Stopper | | C | 1 | b-V153030803 c-V217040001 d-V125030803 e-V144030603 f-V149031003 g-V153031003 | |
| 2 | A7AH165003 | Cover /Front | | D | 1 | | |
| 3 | 4038101401 | SUCTION PLATE | | D | 2 | | |
| 4 | A7AH112900 | Holder | | C | 1 | | |
| 5 | A7AH112500 | Lever | | C | 1 | | |
| 6 | A7AH113000 | Compressing Coil spring | | C | 1 | | |
| 7 | A7AH112800 | Stopper | | C | 1 | | |
| 8 | A7AH116200Old | Release Lever | | C | 1 | | |
| 8 | A7AH116211 | Release Lever | | C | 1 | | |
| 9 | A7AH164500 | Cover /Rear | | D | 1 | | |
| 10 | A7AHM50400 | Humidity sensor | | I | 1 | A,A1 B,C,D1,D3,E,F2,G1,G 2,I,K,J,H | |
| 11 | A7AH135202 | Cover | | D | 1 | | |
| 11 | A7AH135302 | Cover | | D | 1 | | |
| 12 | A0P0M73100 | Speaker | | D | 1 | | |
| 14 | A161151300 | Torsion Coil spring | | D | 1 | | |
| 15 | 9J06M60100 | MICRO SWITCH | | C | 1 | | |
| 16 | A7AH138500Old | Mounting Plate | | D | 1 | | |
| 16 | A7AH138511 | Mounting Plate | | D | 1 | | |
| 17 | A7AH138700 | Lever | | C | 1 | | |
| 18 | A7AH138800 | Torsion Spring | | C | 1 | | |
| 19 | A7AHN13700 | Harness I/F | A,A1 | D | 1 | | |
| 20 | A5C1404500Old | Seal | | C | 2 | | |
| 20 | A7AH165100 | Seal | | C | 2 | | |
| 21 | 4163529301 | SCREW | | C | 1 | | |
| | | | | | | | |
| | | | | | | | |
| | | | | | | | |
| | | | | | | | |
| | | | | | | | |
| | | | | | | | |
| | | | | | | | |
| | | | | | | | |
| | | | | | | | |
| | | | | | | | |
| | | | | | | | |

OPERATION PANEL SECTION

| | |
|------------------------|-----------------|
| 改訂版 REVISED EDITION | 日付 DATE |
| | OCTOBER 2018 |




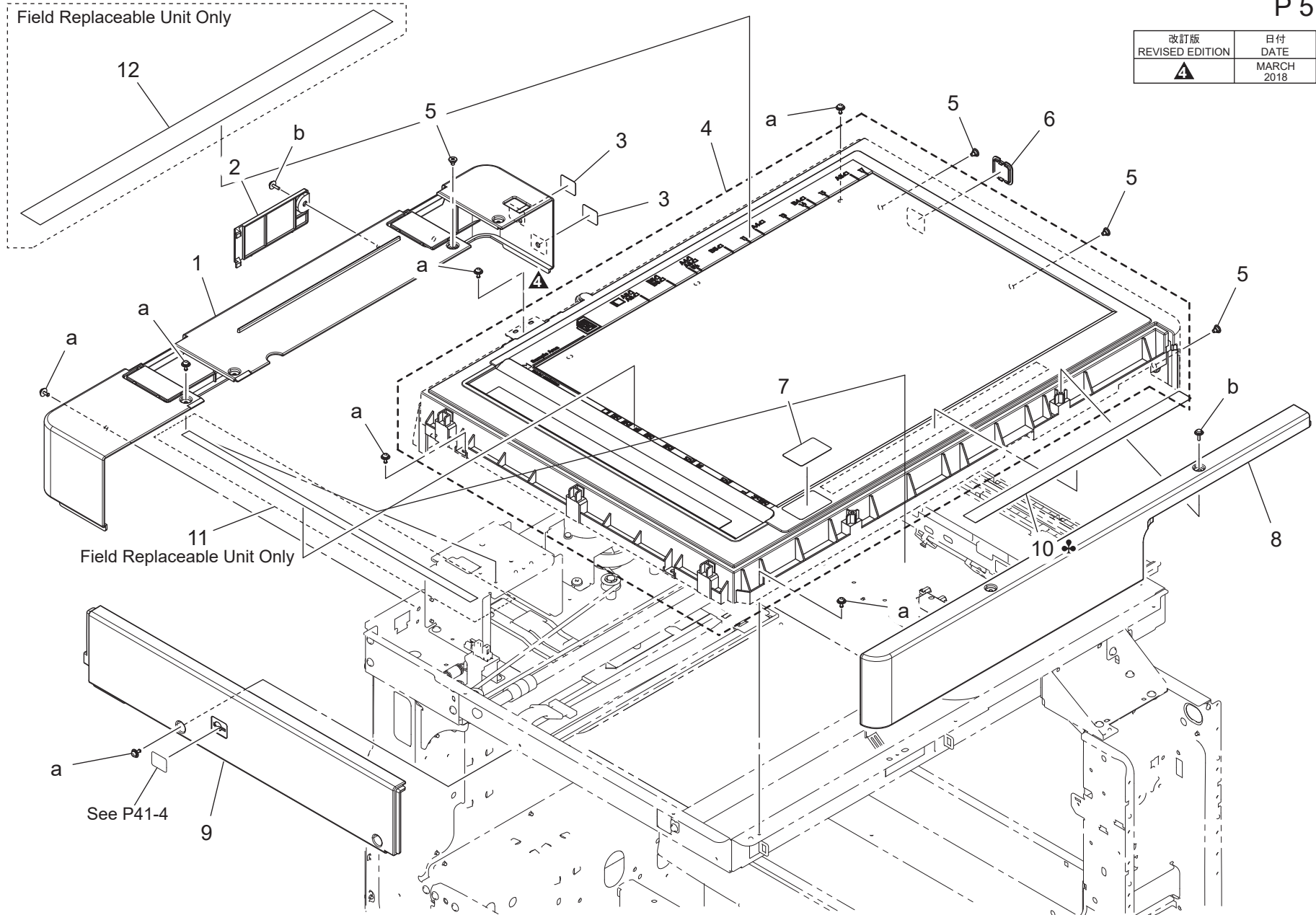
OPERATION PANEL SECTION

| Key | Part No. | Description | Destinations | Class | QTY | Standard parts |
|-----|---------------|-----------------|--|-------|-----|--|
| 1 | A7AH134600 | Ground Plate | | D | 1 | a-V144030603 b-V153030803 c-V125030803 d-V116031003 e-V144030803 f-V116030804 |
| 2 | A7AH139000 | Mounting Plate | | D | 1 | |
| 3 | A7AHN15600 | Interface Cable | | D | 1 | |
| 4 | A7AH162100 | Holder | | D | 1 | |
| 5 | A797M70002 | Panel assembly | A,A1 | I | 1 | |
| 5 | A797M70102 | Panel assembly | B,D1,D3,E,F2,G1,G2, I (Except South Afr ica),K | I | 1 | |
| 5 | A797M70202 | Panel assembly | C,I (South Africa) | I | 1 | |
| 5 | A797M70302 | Panel assembly | J | I | 1 | |
| 5 | A797M70402 | Panel assembly | H | I | 1 | |
| 6 | A7AH162001 | Seal | | C | 1 | |
| 7 | A7AH161900 | Cover | | C | 1 | |
| 8 | A7AH161801 | Lens | | C | 1 | |
| 9 | A7AH166602 | Cover | | C | 1 | |
| 10 | 4002504202 | PLATE NUT | | D | 2 | |
| 11 | A7AH161501 | Cover /Right | | C | 1 | |
| 12 | A7AH139401Old | Mounting Plate | | D | 1 | |
| 12 | A7AH139412 | Mounting Plate | | D | 1 | |
| 13 | A7AH161700 | Cover /Front | | C | 1 | |
| 14 | A7AH161602Old | Cover /Middle | | D | 1 | |
| 14 | A7AH161614 | Cover /Middle | | D | 1 | |
| 15 | A7AHN15301 | Interface Cable | | D | 1 | |
| 16 | A7AH139600 | Mounting Plate | | D | 1 | |
| 17 | A7AH161400 | Cover /Left | | C | 1 | |
| 18 | A011946200 | Label Emperon | | D | 1 | |
| 19 | A7AHP01100 | Seal | | C | 1 | |
| 20 | A7PUP00100 | Seal | | C | 1 | |
| | | | | | | |
| | | | | | | |
| | | | | | | |
| | | | | | | |
| | | | | | | |
| | | | | | | |
| | | | | | | |
| | | | | | | |

SCANNER SECTION

P 5

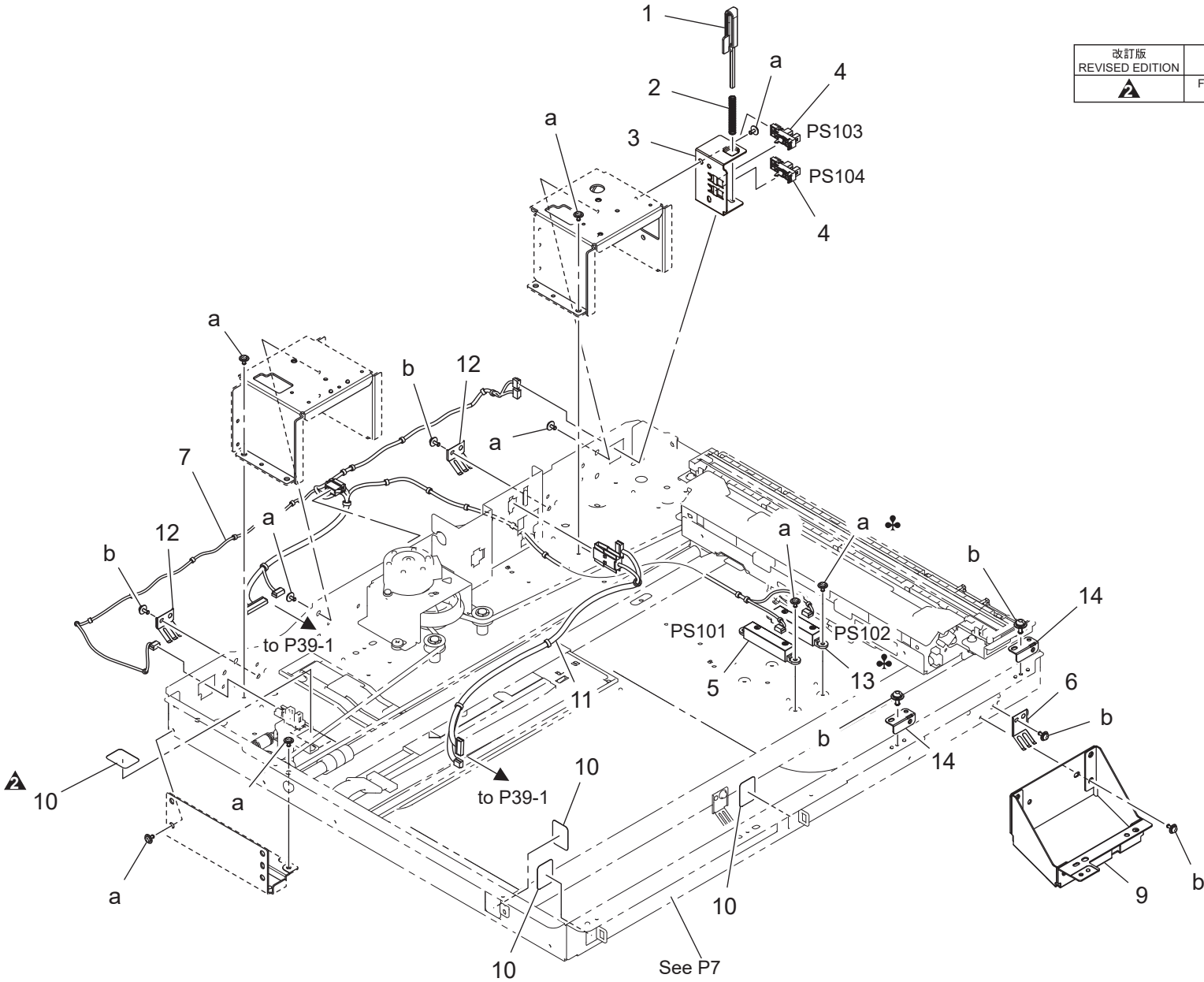
| | |
|---|---------------|
| 改訂版 REVISED EDITION | 日付 DATE |
|  | MARCH 2018 |



| Key | Part No. | Description | Destinations | Class | QTY | Standard parts |
|-----|------------|-------------------------------|----------------------------------|-------|-----|------------------------------|
| 1 | A7AH266203 | Read Cover /Rear | | C | 1 | a-V125030803 b-V153030803 |
| 2 | A7AH267000 | Read Cover /Rear | | C | 1 | |
| 3 | A7AH266800 | Seal | | C | 2 | |
| 4 | A7AHR73800 | IR Cover /Upper Assy (Inch) | B,G2 | C | 1 | |
| 4 | A7AHR70833 | IR Cover /Upper Assy (Metric) | A,A1,C,D1,D3,E,F2,G 1,H,I,J,K | C | 1 | |
| 5 | A7AH267201 | Shoulder screw | | C | 4 | |
| 6 | A7AH266300 | Cover | | D | 1 | |
| 7 | A0HF952400 | Label | | C | 1 | |
| 8 | A7AH266506 | Read Cover /Front | | C | 1 | |
| 9 | A7AH266601 | Read Cover /Left | | C | 1 | |
| 10 | A3EW944600 | Label | A,A1 | C | 1 | |
| 11 | A7AHP00400 | Scale | | C | 1 | |
| 12 | A7AHP00500 | Label | | C | 1 | |
| | | | | | | |
| | | | | | | |
| | | | | | | |
| | | | | | | |
| | | | | | | |
| | | | | | | |
| | | | | | | |
| | | | | | | |
| | | | | | | |
| | | | | | | |

SCANNER SECTION

| | |
|---|------------------|
| 改訂版 REVISED EDITION | 日付 DATE |
|  | FEBRUARY 2018 |

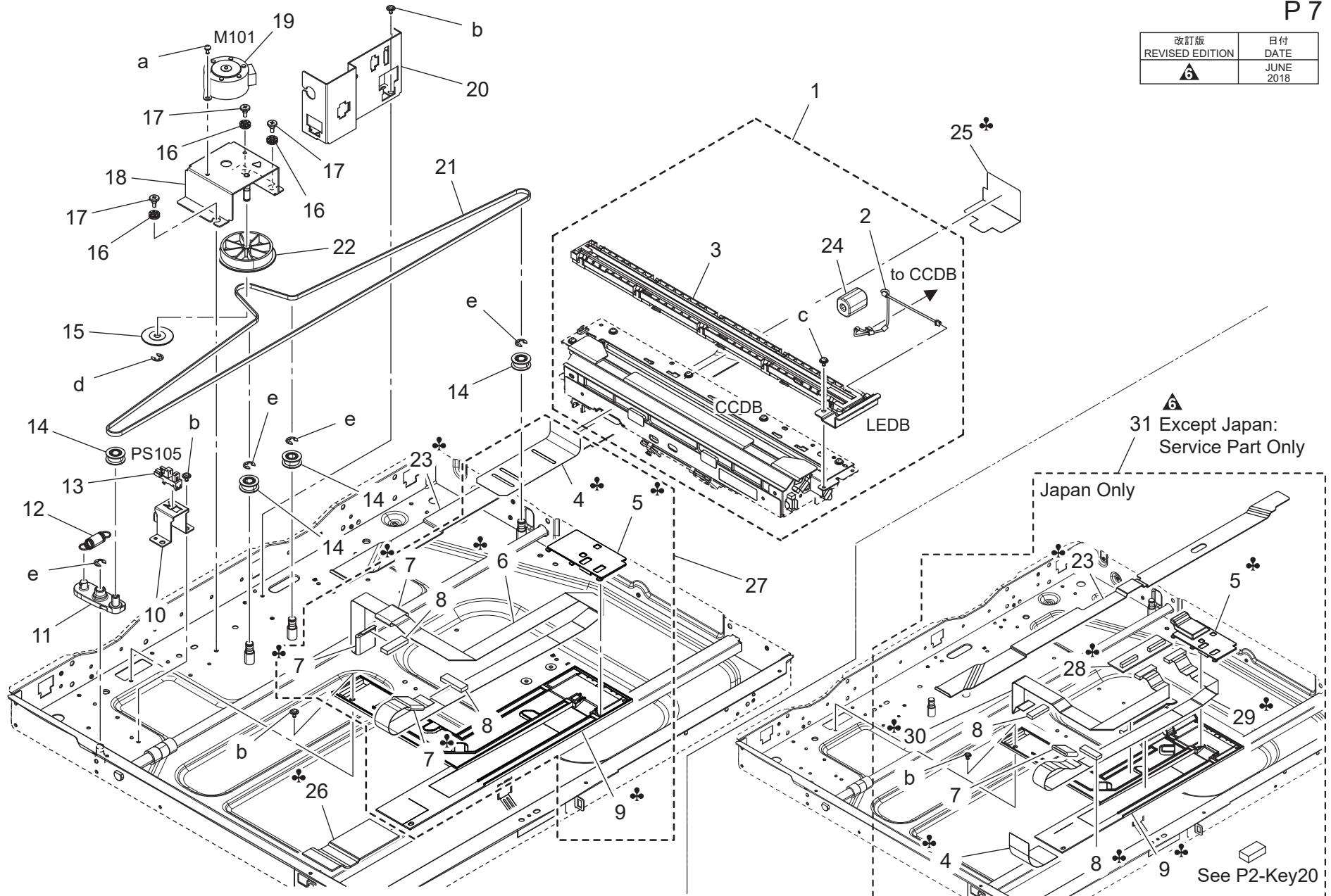


SCANNER SECTION

| Key | Part No. | Description | Destinations | Class | QTY | Standard parts |
|-----|------------|-----------------------------|---|-------|-----|------------------------------|
| 1 | A7AH285102 | Lever | | C | 1 | a-V144030603 b-V125030803 |
| 2 | A7AH285400 | Compressing Coil spring | | C | 1 | |
| 3 | A7AH285502 | Mounting Plate | | D | 1 | |
| 4 | A5C1M50100 | Photointerrupter | | B | 2 | |
| 5 | A7AHM50100 | APS Photoreflector | | C | 1 | |
| 6 | A7AH281701 | Ground Plate spring | | D | 1 | |
| 7 | A7AHN12W00 | Harness /Scanner | | D | 1 | |
| 9 | A7AHPPB500 | Mounting Plate /Right front | | D | 1 | |
| 10 | 4581162501 | SEAL | | C | 4 | |
| 11 | A7AHN12800 | Harness /ADF Relay | | D | 1 | |
| 12 | A7AH262501 | Ground Plate spring | | D | 2 | |
| 13 | A7AHM50100 | APS Photoreflector | D1,D3,E,F2,G1,I (Except South Africa), K | C | 1 | |
| 14 | A7AH263600 | Fixing Plate | | D | 2 | |
| | | | | | | |
| | | | | | | |
| | | | | | | |
| | | | | | | |
| | | | | | | |
| | | | | | | |
| | | | | | | |
| | | | | | | |
| | | | | | | |

SCANNER SECTION

| | |
|------------------------|--------------|
| 改訂版 REVISED EDITION | 日付 DATE |
| ▲6 | JUNE 2018 |

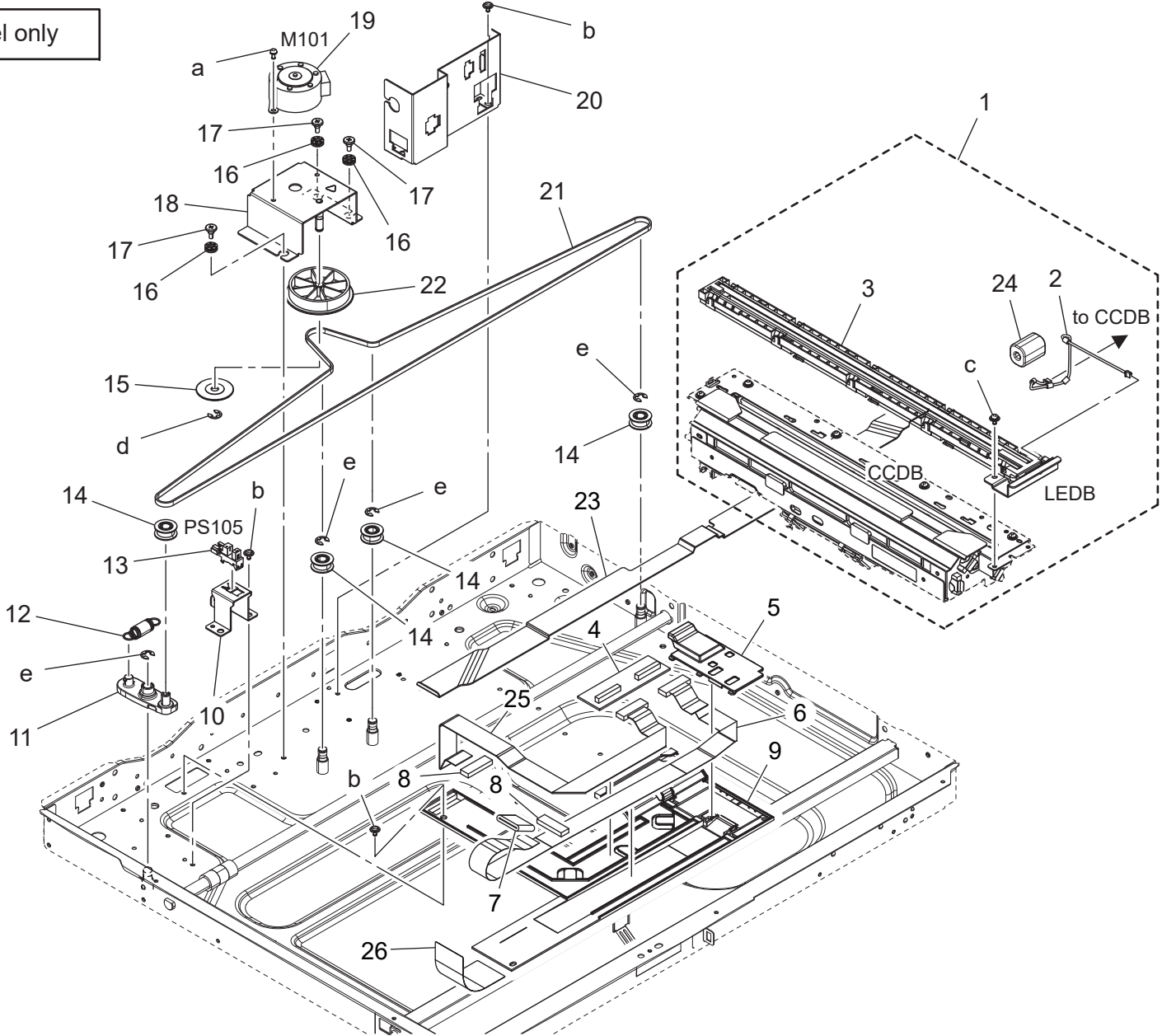


SCANNER SECTION

| Key | Part No. | Description | Destinations | Class | QTY | Standard parts |
|-----|---------------|------------------------|--------------------------|-------|-----|--|
| 1 | A890R70033Old | Scan-IR unit | | I | 1 | a-V115030603 b-V144030603 c-V116030603 d-V217050001 e-V218040086 |
| 1 | A890R70300 | Scan-IR unit | | I | 1 | |
| 2 | A7AHN12Y02 | Harness /Scanner | | D | 1 | |
| 3 | A890R70211 | LED exposure unit | | C | 1 | |
| 4 | A7AH262900Old | Guide Sheet | | D | 1 | |
| 4 | A7AH262911 | Guide Sheet | ガイドシート | D | 1 | |
| 4 | A7AH262911Old | Guide Sheet | ガイドシート | D | 1 | |
| 4 | A7AH263800 | Protection Sheet /Left | 保護シート/左 (R) | D | 1 | |
| 5 | A7AH262101 | Mounting Cover | 取付カバー | D | 1 | |
| 5 | A7AH262101Old | Mounting Cover | 取付カバー | D | 1 | |
| 5 | A7AH263900 | Mounting Cover | 取付カバー (F F C) | D | 1 | |
| 6 | A7AHN12V02Old | Harness /Scanner | スキャナー束線 | D | 1 | |
| 6 | A7AHN12V14 | Harness /Scanner | スキャナー束線 | D | 1 | |
| 7 | A7AHM90100 | Ferritecore | フェライトコア | D | 3 | |
| 7 | A7AHM90100 | Ferritecore | フェライトコア | D | 1 | |
| 8 | A7AHM90000 | Connector | コネクタ | D | 2 | |
| 9 | A7AH261802Old | Mounting Plate | 取付板 | D | 1 | |
| 9 | A7AH261813 | Mounting Plate | 取付板 | D | 1 | |
| 9 | A7AH261813Old | Mounting Plate | 取付板 | D | 1 | |
| 9 | A7AH263700 | Mounting Plate | 取付板 (F F C _ R) | D | 1 | |
| 10 | A7AH261700 | Mounting Plate | 取付板 | D | 1 | |
| 11 | A7AH280700 | Adjusting Plate | 調整板 | C | 1 | |
| 12 | A7AH280500 | Pulling Spring | 引張りばね | C | 1 | |
| 13 | A5C1M50100 | Photointerrupter | 透過型センサ | B | 1 | |
| 14 | A7AH281300 | Idling Pulley | アイドルプーリ | C | 4 | |
| 15 | A7AH281600 | Washer | ワッシャ | C | 1 | |
| 16 | A4EU138000 | Support Rubber | 支持ゴム | D | 3 | |
| 17 | A7AH281800 | Shoulder screw | 段ねじ | C | 3 | |
| 18 | A7AH280800 | Mounting Plate | 取付板 | D | 1 | |
| 19 | A161M10300 | Stepping motor | ステッピングモータ (φ 4 2 P M) | C | 1 | |
| 20 | A7AH261902 | Mounting Plate | 取付板 | D | 1 | |
| 21 | A7AH280400 | Belt 1196L | ベルト 1 1 9 6 L | C | 1 | |
| 22 | A7AH280900 | Gear 120T | ギア 1 2 0 T | C | 1 | |
| 23 | A7AH262700 | Protection Mat | 保護マット | C | 1 | |
| 23 | A7AH262700Old | Protection Mat | 保護マット | C | 1 | |
| 23 | A7AH264000 | Protection Mat (R) | 保護マット (R) | C | 1 | |
| 24 | A7AHM90200 | Ferritecore | フェライトコア | C | 1 | |
| 25 | A7AH263000 | Insulating Part | 絶縁部材 | D | 1 | |
| 26 | A7AH263100 | Tape | テープ (すべり止め) | C | 1 | |
| 27 | A7AHR73100 | Scanner Wiring Assy | スキャナー束線 A s s y | D | 1 | |
| 28 | A7AHH00R00 | Relay board | 中継基板 (F F C 中継) | C | 1 | |
| 29 | A7AHN12S00 | Scanner Wiring /5 | スキャナー束線/5 (網目 F F C) | D | 1 | |
| 30 | A7AHN12T00 | Scanner Wiring /6 | スキャナー束線/6 (両面シールド F F C) | D | 1 | |
| 31 | A7AHR73900 | Scanner Wiring Assy | スキャナ束線 A s s y | D | 1 | |

SCANNER SECTION

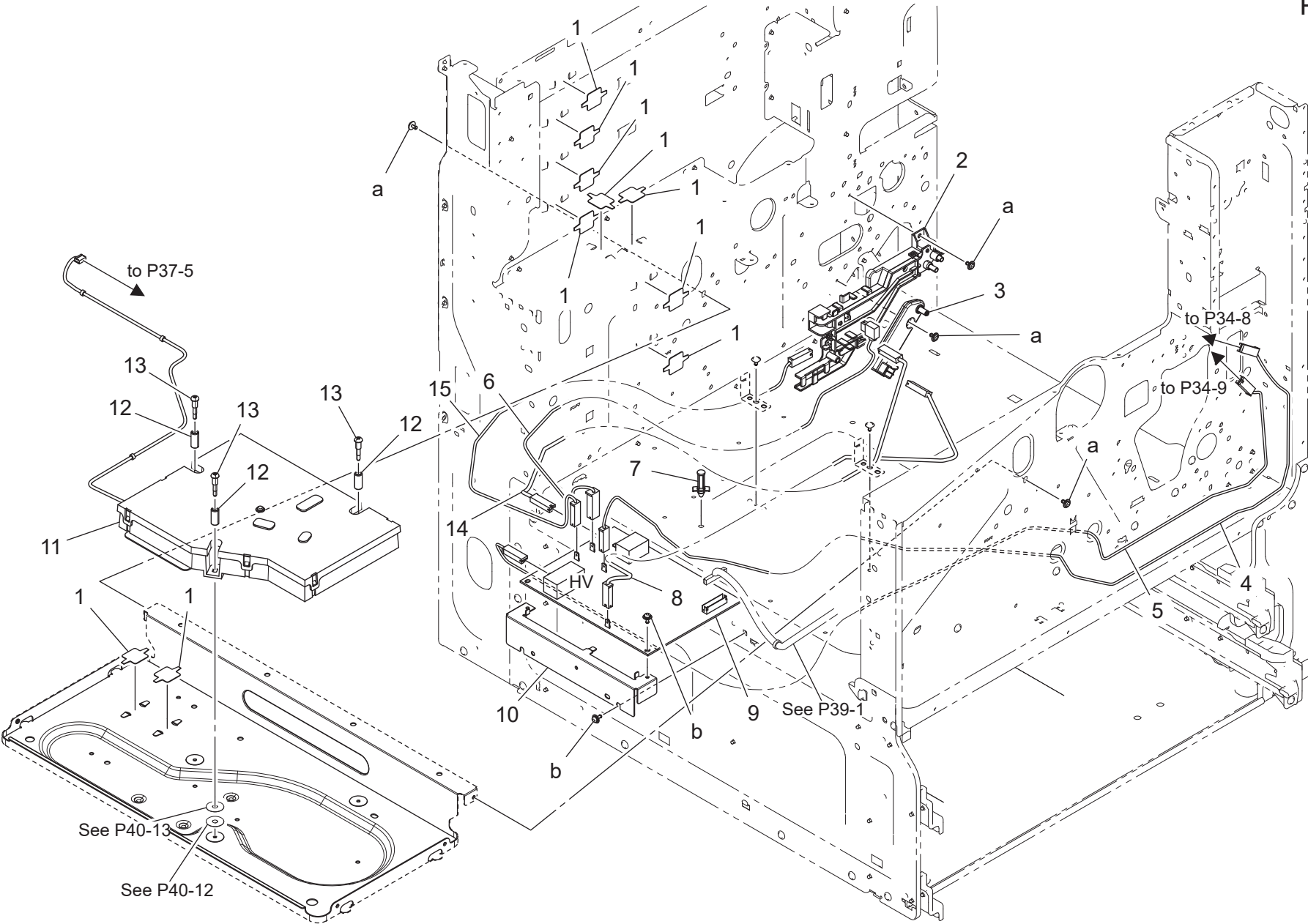
Refresh Model only



SCANNER SECTION

| Key | Part No. | Description | Destinations | Class | QTY | Standard parts |
|-----|------------|------------------------|-----------------|-------|-----|--|
| 1 | A890R70300 | Scan-IR unit | | I | 1 | a-V115030603 b-V144030603 c-V116030603 d-V217050001 e-V218040086 |
| 2 | A7AHN12Y02 | Harness /Scanner | (Refresh Model) | D | 1 | |
| 3 | A890R70400 | LED Lighting Assy | (Refresh Model) | C | 1 | |
| 4 | A7AHH00R00 | Relay board | (Refresh Model) | C | 1 | |
| 5 | A7AH263900 | Mounting Cover | (Refresh Model) | D | 1 | |
| 6 | A7AHN12S00 | Scanner Wiring /5 | (Refresh Model) | D | 1 | |
| 7 | A7AHM90100 | Ferritecore | (Refresh Model) | D | 1 | |
| 8 | A7AHM90000 | Connector | (Refresh Model) | D | 2 | |
| 9 | A7AH263700 | Mounting Plate | (Refresh Model) | D | 1 | |
| 10 | A7AH261700 | Mounting Plate | (Refresh Model) | D | 1 | |
| 11 | A7AH280700 | Adjusting Plate | (Refresh Model) | C | 1 | |
| 12 | A7AH280500 | Pulling Spring | (Refresh Model) | C | 1 | |
| 13 | A5C1M50100 | Photointerrupter | (Refresh Model) | B | 1 | |
| 14 | A7AH281300 | Idling Pulley | (Refresh Model) | C | 4 | |
| 15 | A7AH281600 | Washer | (Refresh Model) | C | 1 | |
| 16 | A4EU138000 | Support Rubber | (Refresh Model) | D | 3 | |
| 17 | A7AH281800 | Shoulder screw | (Refresh Model) | C | 3 | |
| 18 | A7AH280800 | Mounting Plate | (Refresh Model) | D | 1 | |
| 19 | A161M10300 | Stepping motor | (Refresh Model) | C | 1 | |
| 20 | A7AH261902 | Mounting Plate | (Refresh Model) | D | 1 | |
| 21 | A7AH280400 | Belt 1196L | (Refresh Model) | C | 1 | |
| 22 | A7AH280900 | Gear 120T | (Refresh Model) | C | 1 | |
| 23 | A7AH264000 | Protection Mat | (Refresh Model) | C | 1 | |
| 24 | A7AHM90200 | Ferritecore | (Refresh Model) | C | 1 | |
| 25 | A7AHN12T00 | Scanner Wiring /6 | (Refresh Model) | D | 1 | |
| 26 | A7AH263800 | Protection Sheet /Left | (Refresh Model) | D | 1 | |
| | | | | | | |
| | | | | | | |
| | | | | | | |
| | | | | | | |
| | | | | | | |
| | | | | | | |
| | | | | | | |
| | | | | | | |
| | | | | | | |
| | | | | | | |
| | | | | | | |
| | | | | | | |

PH UNIT/HIGH VOLTAGE SECTION

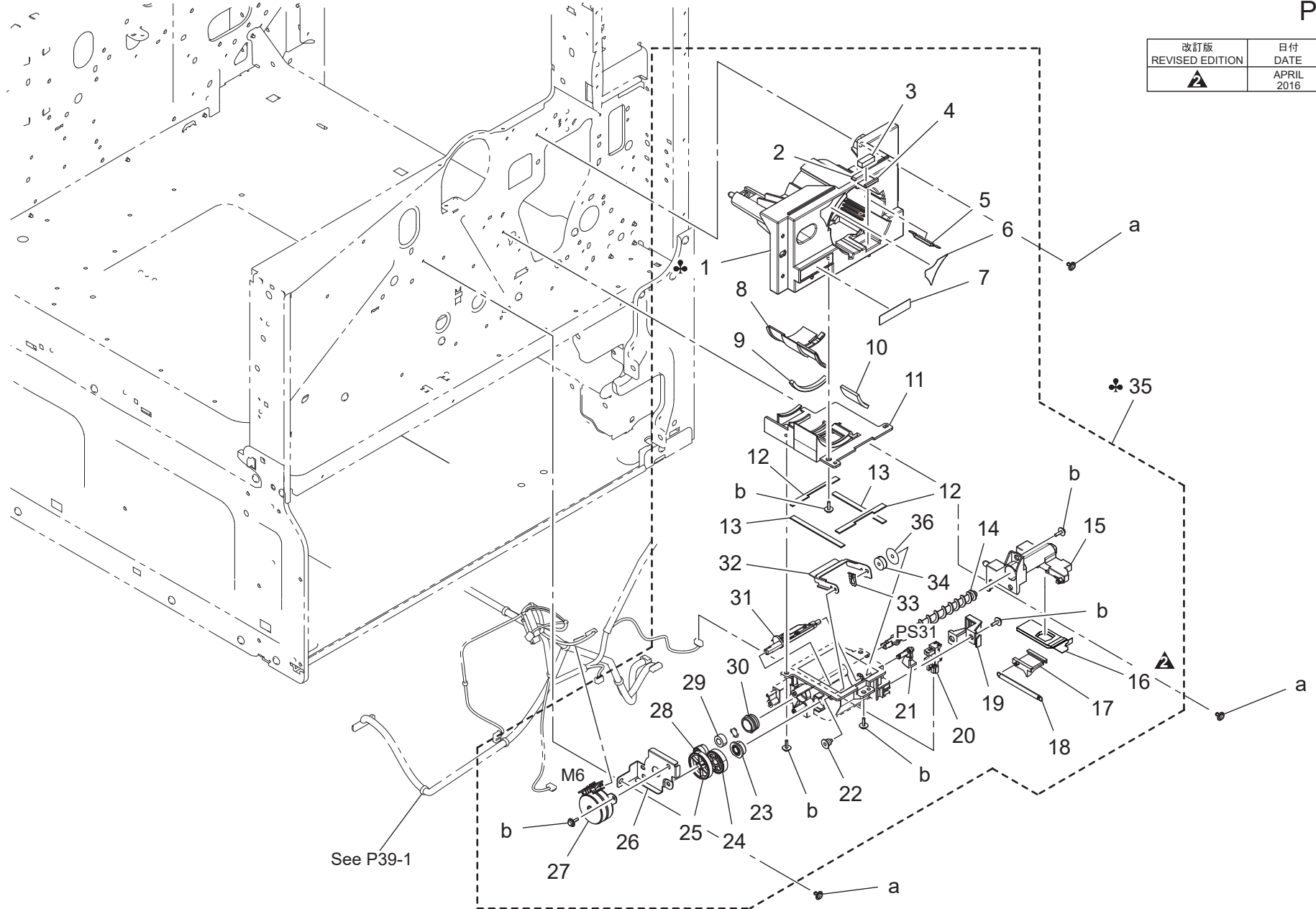


PH UNIT/HIGH VOLTAGE SECTION

| Key | Part No. | Description | Destinations | Class | QTY | Standard parts |
|-----|------------|---------------------|-----------------------------------|-------|-----|------------------------------|
| 1 | A1UD104500 | Seal | | D | 10 | a-V144030603 b-V125030803 |
| 2 | A7AHR70100 | Contact Assy | | D | 1 | |
| 3 | A7AHR70000 | DV Contact Assy | | D | 1 | |
| 4 | A7AHN10800 | Harness /Separating | | D | 1 | |
| 5 | A7AHN10500 | Harness /Transfer | | D | 1 | |
| 6 | A7AHN13800 | Harness /HV | | D | 1 | |
| 7 | V502010043 | PCB Support | | D | 1 | |
| 8 | A7AHN10600 | Harness /Developing | | D | 1 | |
| 9 | A7AHM40600 | High voltage unit | | I | 1 | |
| 10 | A7AH134200 | Mounting Plate | | D | 1 | |
| 11 | A891R70100 | Print Head Assy | PH Assy (Except Refresh Model) | I | 1 | |
| 11 | A891R70100 | Print Head Assy | PH Assy (Refresh Model) | I | 1 | |
| 12 | 4128197801 | PRESSURE SPRING | | C | 3 | |
| 13 | 4128197901 | SHOULDER SCREW | | C | 3 | |
| 14 | A7AHN10700 | Harness /Chaging | | D | 1 | |
| 15 | A7AHN13900 | Harness /HV | | D | 1 | |
| | | | | | | |
| | | | | | | |
| | | | | | | |
| | | | | | | |
| | | | | | | |
| | | | | | | |
| | | | | | | |
| | | | | | | |
| | | | | | | |

TONER SUPPLY SECTION

| | |
|---|---------------|
| 改訂版 REVISED EDITION | 日付 DATE |
|  | APRIL 2016 |

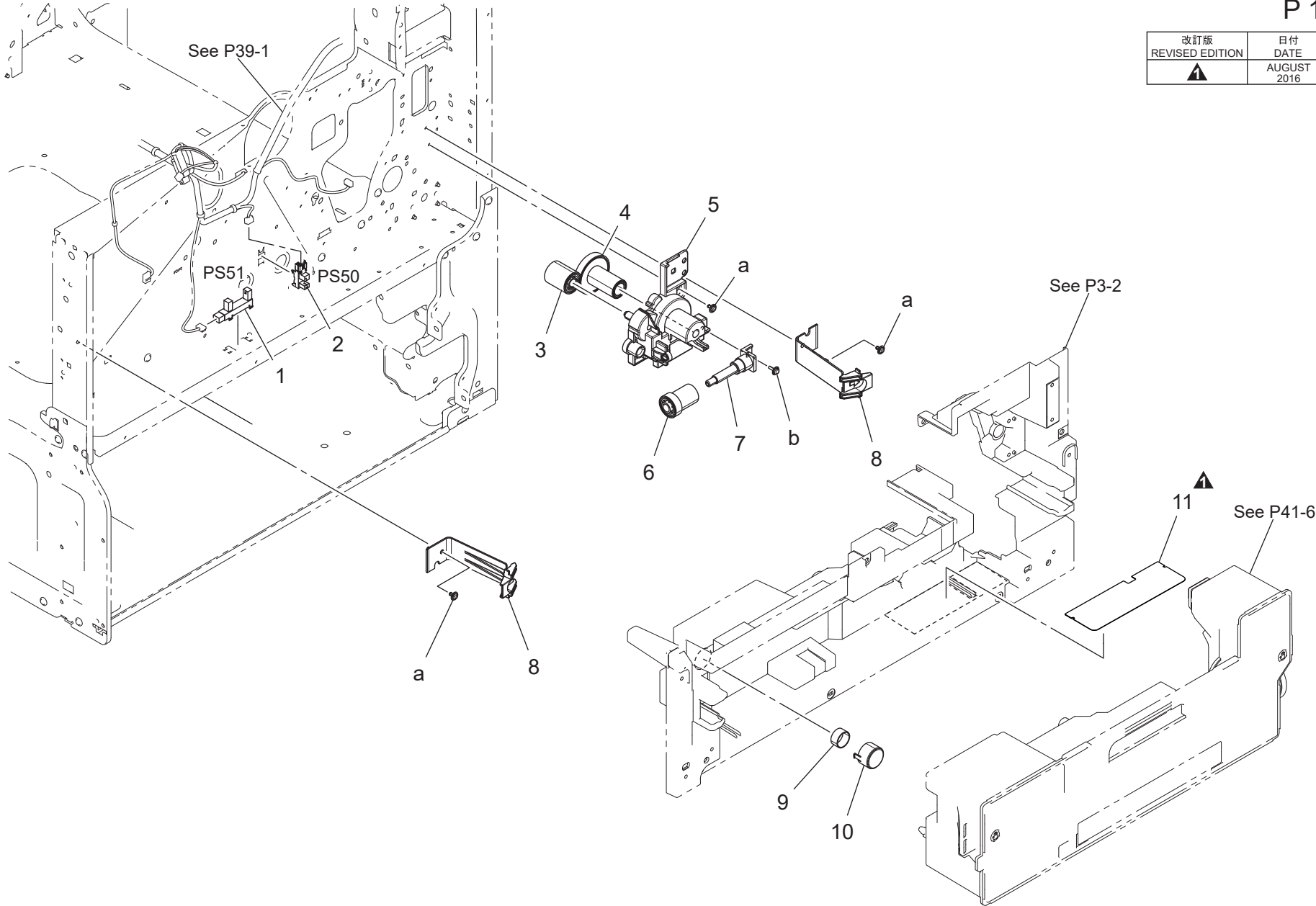


TONER SUPPLY SECTION

| Key | Part No. | Description | Destinations | Class | QTY | Standard parts |
|-----|------------|---------------------|---|---|-----|------------------------------|
| 1 | A7AH402000 | Cover | A,A1 | D | 1 | a-V144030603 b-V153030803 |
| 1 | A7AH405100 | Cover | B,G2 | C | 1 | |
| 1 | A7AH405200 | Cover | C,I (South Africa) | C | 1 | |
| 1 | A7AH405300 | Cover | D1,D3,E,F2,G1,I (Except South Africa), K,J,H | C | 1 | |
| 2 | A161404001 | Seal /1 | シール / 1 (トナー拭き取り) | D | 1 | |
| 3 | A161403701 | Seal | シール (トナー拭き取り) | D | 1 | |
| 4 | A161404100 | Seal /2 | シール / 2 (トナー拭き取り) | D | 1 | |
| 5 | A161403901 | Spacer | スペーサ (調整部材) | D | 1 | |
| 6 | A0ED940600 | Label Toner 1 | ラベル (TN 操作 1) | D | 1 | |
| 7 | A7AH946200 | Label Toner type | ラベル トナータイプ | C | 1 | |
| 8 | A161402403 | Shutter | シャッター (補給口) | D | 1 | |
| 9 | A161403800 | Seal | シール (シャッター) | D | 1 | |
| 10 | A161402502 | Seal | シール (補給口) | D | 1 | |
| 11 | A7AH402100 | Cover | カバー | D | 1 | |
| 12 | A7AH403300 | Seal | シール | D | 2 | |
| 13 | A7AH403500 | Seal | シール | D | 2 | |
| 14 | A7AH400100 | Screw | スクリュー | D | 1 | |
| 15 | A7AH406000 | Conveyance Pipe | 搬送パイプ | D | 1 | |
| 16 | A7AH403201 | Seal | シール | C | 1 | |
| 17 | A0ED401000 | Shutter | シャッター | D | 1 | |
| 18 | A7AH406300 | Pulling Coil spring | 引張りコイルばね | C | 1 | |
| 19 | A7AH400700 | Mounting Plate | 取付板 | D | 1 | |
| 20 | A5C1M50100 | Photointerrupter | 透過型センサ | B | 1 | |
| 21 | A7AH404300 | Detecting Actuator | 検出アクチュエータ | C | 1 | |
| 22 | A161400800 | Pin | ピン | D | 1 | |
| 23 | 4163510201 | BUSHING | 軸受 | C | 1 | |
| 24 | A161401100 | Gear 36T | ギア 36 T | C | 1 | |
| 25 | A7AH401300 | Gear 17/65T | ギア 17 / 65 T | C | 1 | |
| 26 | A7AH406201 | Fixing Plate | 固定板 | D | 1 | |
| 27 | A7AHM10400 | Stepping motor | ステッピングモータ (φ 30) | C | 1 | |
| 28 | A161401000 | Gear 18T | ギア 18 T | C | 1 | |
| 29 | 4576536301 | SEAL | シール | D | 1 | |
| 30 | A161403101 | Holder | ホルダ | C | 1 | |
| 31 | A5C1F42000 | Agitating Shaft | 攪拌軸 ASSY | D | 1 | |
| 32 | A161400401 | Detecting Plate | 検出板 | D | 1 | |
| 33 | A161404200 | Fixing Plate | 固定板 | D | 1 | |
| 34 | A161400601 | Detecting Seal | 検出シール | D | 1 | |
| 35 | A7AHR70900 | Sub Hopper Assy | サブホッパー Assy | I | 1 | |
| 35 | A7AHR71000 | Sub Hopper Assy | サブホッパー Assy | I | 1 | |
| 35 | A7AHR71100 | Sub Hopper Assy | サブホッパー Assy | C,I (South Africa) | I | 1 |
| 35 | A7AHR71200 | Sub Hopper Assy | サブホッパー Assy | D1,D3,E,F2,G1,I (Except South Africa), K,J,H | I | 1 |
| 36 | A5C1404600 | Washer | ワッシャ | D | 1 | |

TONER SUPPLY SECTION


| | |
|------------------------|----------------|
| 改訂版 REVISED EDITION | 日付 DATE |
| ▲ | AUGUST 2016 |

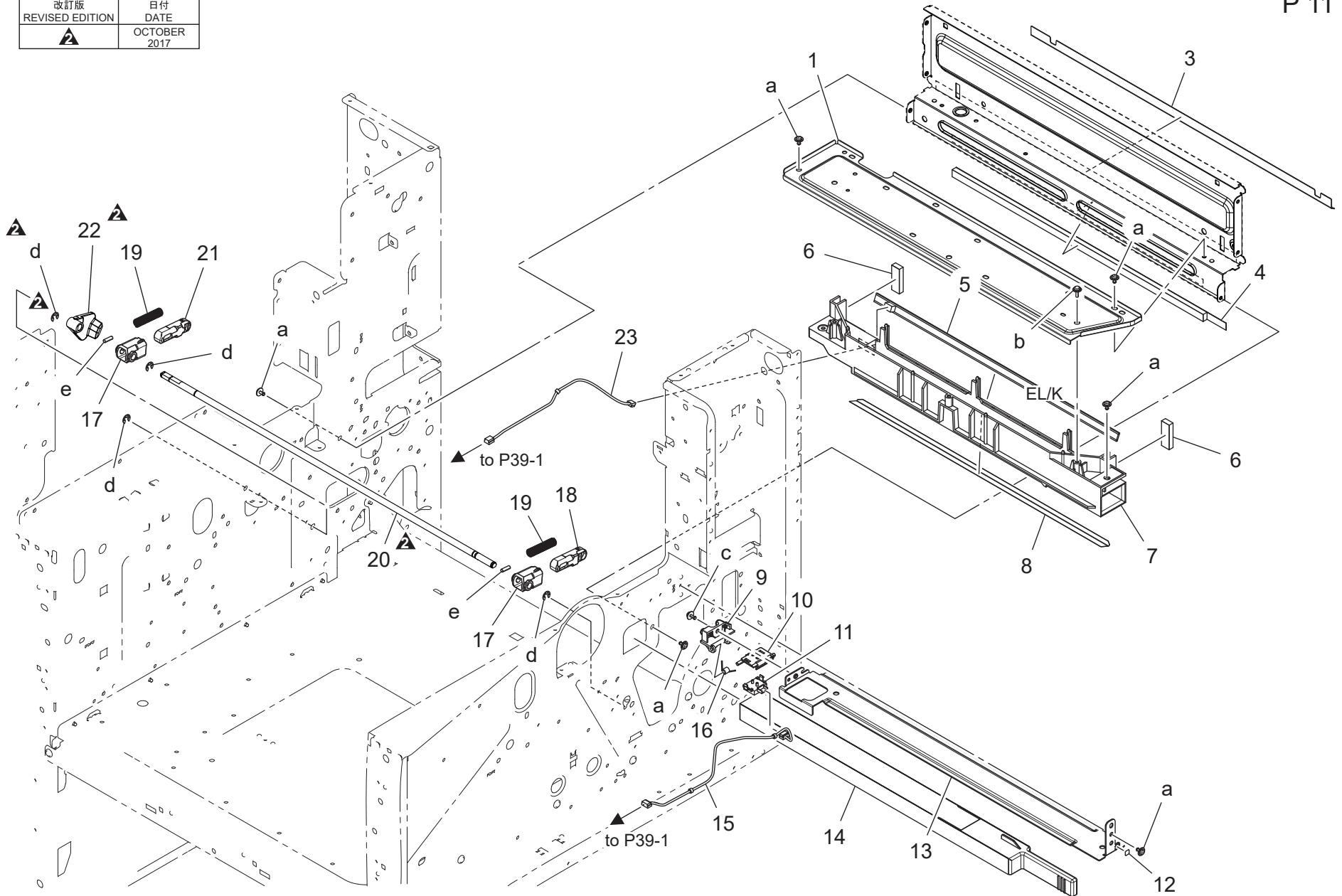


TONER SUPPLY SECTION

| Key | Part No. | Description | Destinations | Class | QTY | Standard parts |
|-----|------------|-------------------------|--------------|-------|-----|------------------------------|
| 1 | 9335140051 | SOLID STATE SWITCH | | B | 1 | a-V144030603 b-V153030803 |
| 2 | A5C1M50100 | Photointerrupter | | B | 1 | |
| 3 | A7AH218100 | Gear 20T | | C | 1 | |
| 4 | A7AH218300 | Gear 15/37T | | C | 1 | |
| 5 | A7AH218702 | Drive Holder | | D | 1 | |
| 6 | A7AH218400 | Gear 15/20T | | C | 1 | |
| 7 | A7AH218500 | Shaft | | D | 1 | |
| 8 | A161165700 | Fixing Claw | | D | 2 | |
| 9 | A2XN374800 | Compressing Coil spring | | C | 1 | |
| 10 | A7AH362700 | Holder | | C | 1 | |
| 11 | A7AH165201 | Sheet | | C | 1 | |
| | | | | | | |
| | | | | | | |
| | | | | | | |
| | | | | | | |
| | | | | | | |
| | | | | | | |
| | | | | | | |
| | | | | | | |
| | | | | | | |
| | | | | | | |

ERASE LAMP/DV LOCK LEVER SECTION

| | |
|---|-----------------|
| 改訂版 REVISED EDITION | 日付 DATE |
|  | OCTOBER 2017 |

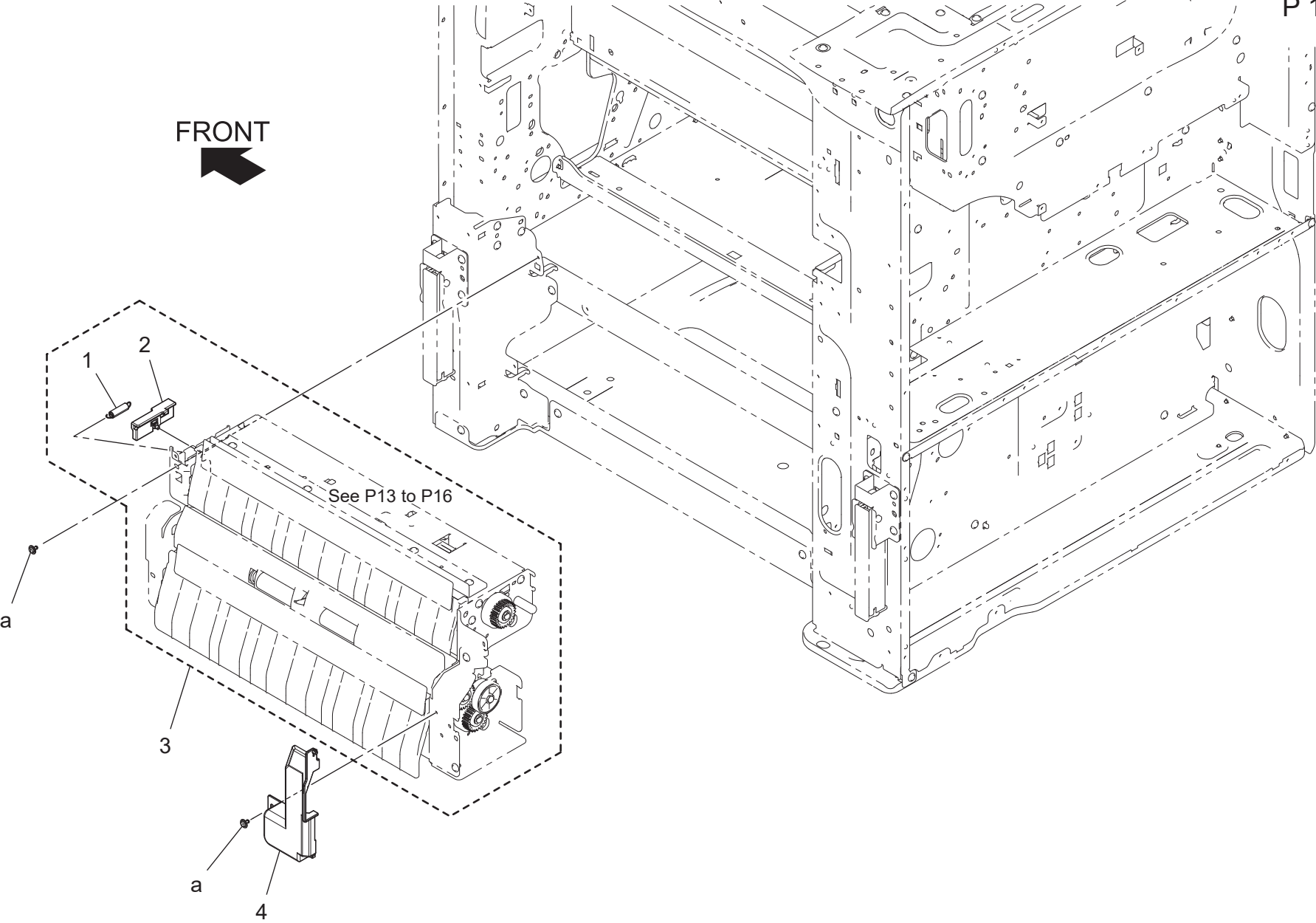


ERASE LAMP/DV LOCK LEVER SECTION

| Key | Part No. | Description | Destinations | Class | QTY | Standard parts |
|-----|---------------|-------------------------|------------------------|-------|-----|--|
| 1 | A7AH142300 | Mounting Plate | | D | 1 | a-V144030603 b-V153030803 c-V125030803 d-V217040001 e-V234301050 |
| 3 | A7AH142900 | Seal | | C | 1 | |
| 4 | A7AH142800 | Seal | | C | 1 | |
| 5 | A1UDM30900 | LED Unit | | I | 1 | |
| 6 | A7AH142700 | Seal | | C | 2 | |
| 7 | A7AH142100 | Holder | | D | 1 | |
| 8 | A7AH136301 | Light blocking Plate | | D | 1 | |
| 9 | A7AH112300 | Sensor Holder | | D | 1 | |
| 10 | A7AH139900 | Mounting Plate | | C | 1 | |
| 11 | A0EDM60001 | Relay Connector | | D | 1 | |
| 12 | A02E940300 | Label | | C | 1 | |
| 13 | A7AH112102 | Guide Rail | | D | 1 | |
| 14 | A7AHR70300 | Ozone filter | | A | 1 | |
| 15 | A7AHN11401 | Harness /Photoconductor | | D | 1 | |
| 16 | A7AH139700 | Torsion Coil spring | | C | 1 | |
| 17 | A161115700 | Holder | | D | 2 | |
| 18 | A7AH116100 | Slide Lever | | C | 1 | |
| 19 | A7AH116900 | Pressure Spring | | C | 2 | |
| 20 | A7AH116300Old | Release Shaft | (Except Refresh Model) | D | 1 | |
| 20 | A7AHPPA400 | Release Shaft | (Except Refresh Model) | D | 1 | |
| 20 | A7AHPPA400 | Release Shaft | (Refresh Model) | D | 1 | |
| 21 | A161116100 | Slide Lever | | D | 1 | |
| 22 | A7AH116500Old | Release Lever | | C | 1 | |
| 22 | A7AH116511 | Release Lever | | C | 1 | |
| 23 | A7AHN11301 | Harness /Neutralizing | | D | 1 | |
| | | | | | | |
| | | | | | | |
| | | | | | | |
| | | | | | | |
| | | | | | | |
| | | | | | | |
| | | | | | | |

PAPER FEED SECTION

P 12

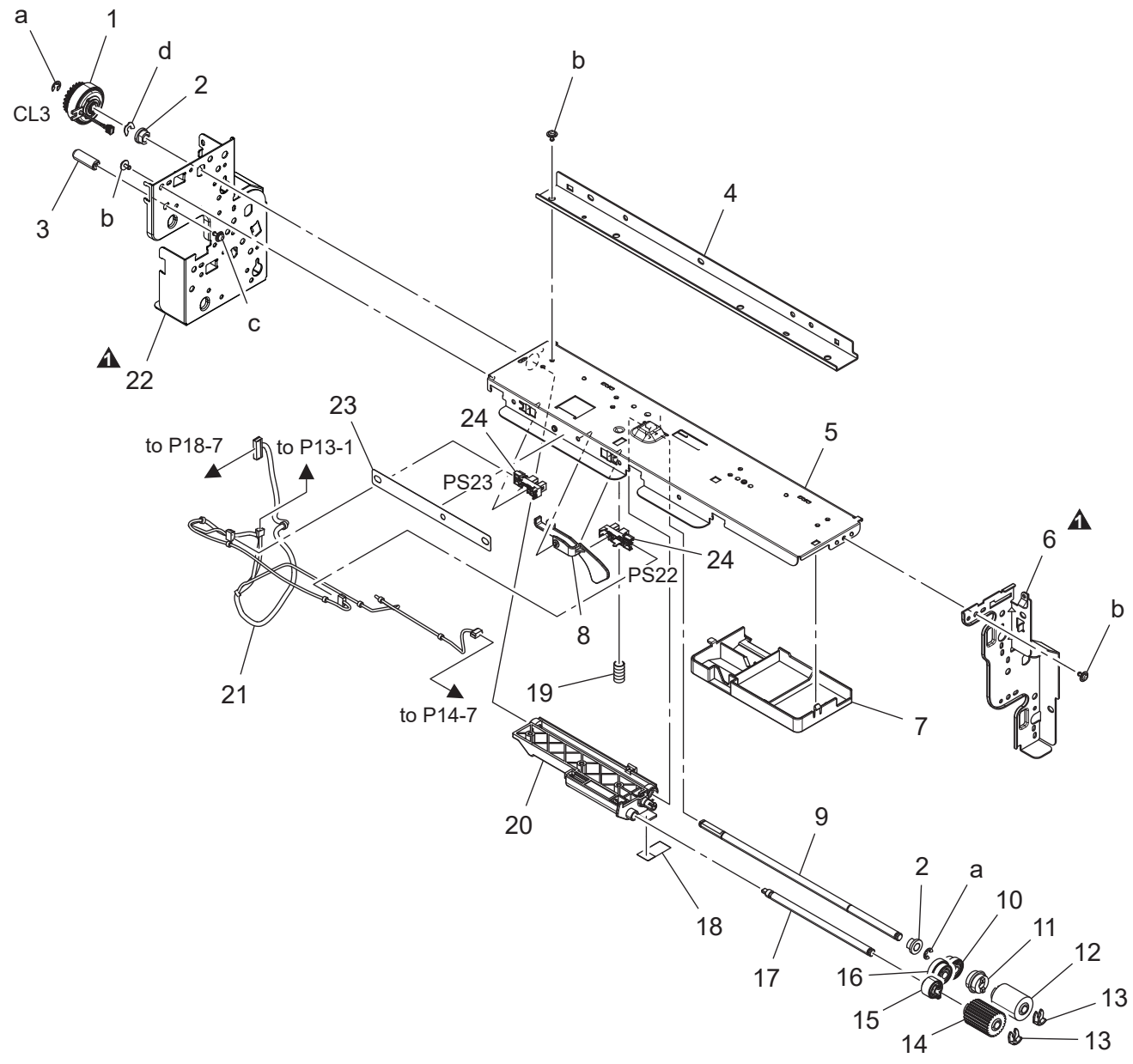


PAPER FEED SECTION

| Key | Part No. | Description | Destinations | Class | QTY | Standard parts |
|-----|------------|---------------------|--------------|-------|-----|----------------|
| 1 | A7AH568900 | Pulling Coil spring | | C | 1 | a-V144030603 |
| 2 | A7AH568800 | Open/close Lever | | D | 1 | |
| 3 | A7AHR71322 | Paper Feed Assy | | S | 1 | |
| 4 | A7AH133300 | Cover | | D | 1 | |
| | | | | | | |
| | | | | | | |
| | | | | | | |
| | | | | | | |
| | | | | | | |
| | | | | | | |
| | | | | | | |
| | | | | | | |
| | | | | | | |
| | | | | | | |
| | | | | | | |
| | | | | | | |
| | | | | | | |
| | | | | | | |
| | | | | | | |
| | | | | | | |
| | | | | | | |

1ST PAPER FEED SECTION

| | |
|------------------------|-----------------|
| 改訂版 REVISED EDITION | 日付 DATE |
| ▲ | JANUARY 2018 |

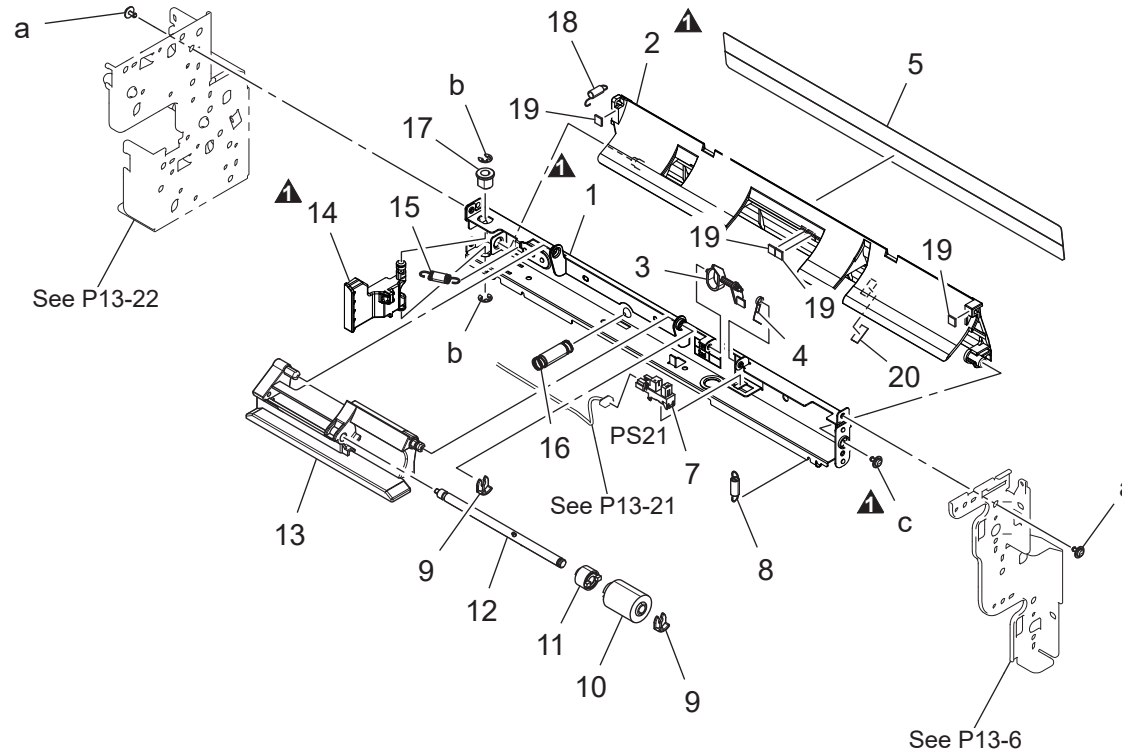


1ST PAPER FEED SECTION

| Key | Part No. | Description | Destinations | Class | QTY | Standard parts |
|-----|---------------|-------------------------|--------------|-------|-----|--|
| 1 | A7AHM20501 | Clutch | | C | 1 | a-V217040001 b-V144030603 c-V125030803 d-V218040086 |
| 2 | A7PU663200 | Bushing | | C | 2 | |
| 3 | A7AH565100 | Positioning Shaft | | D | 1 | |
| 4 | A7AH566001 | Reinforce Plate | | D | 1 | |
| 5 | A7AH565301 | Paper feed Frame | | D | 1 | |
| 6 | A7AH560101Old | Frame /Front | | D | 1 | |
| 6 | A7AH560112 | Frame /Front | | D | 1 | |
| 7 | A7AH565702 | Conveyance Guide | | D | 1 | |
| 8 | A7AH561601 | Detecting Lever | | C | 1 | |
| 9 | A7AH560500 | Shaft /Paper feed | | D | 1 | |
| 10 | A7AH562400 | Paper feed Gear | | C | 1 | |
| 11 | A02E561100 | Clutch | | C | 1 | |
| 12 | A00J563600 | Roller | | A | 1 | |
| 13 | 56AA40490 | SHAFT STOPPER 4 | | C | 2 | |
| 14 | A5C1562200 | Roller | | A | 1 | |
| 15 | A7AH562600 | Conveyance Gear 28T | | C | 1 | |
| 16 | A7AH562300 | Idling Gear | | C | 1 | |
| 17 | A7AH563400 | Support Shaft | | D | 1 | |
| 18 | A7AH562900 | Protection Sheet | | C | 1 | |
| 19 | A7AH562801 | Compressing Coil spring | | C | 1 | |
| 20 | A7AH562100 | Conveyance Guide /4 | | D | 1 | |
| 21 | A7AHN12100 | Harness /Paperfeed | | D | 1 | |
| 22 | A7AH560201Old | Frame /Rear | | D | 1 | |
| 22 | A7AH560212 | Frame /Rear | | D | 1 | |
| 23 | A7AH569500 | Protection Seal | | C | 1 | |
| 24 | A5C1M50100 | Photointerrupter | | B | 2 | |
| | | | | | | |
| | | | | | | |
| | | | | | | |
| | | | | | | |
| | | | | | | |
| | | | | | | |
| | | | | | | |
| | | | | | | |
| | | | | | | |

1ST PAPER FEED SECTION

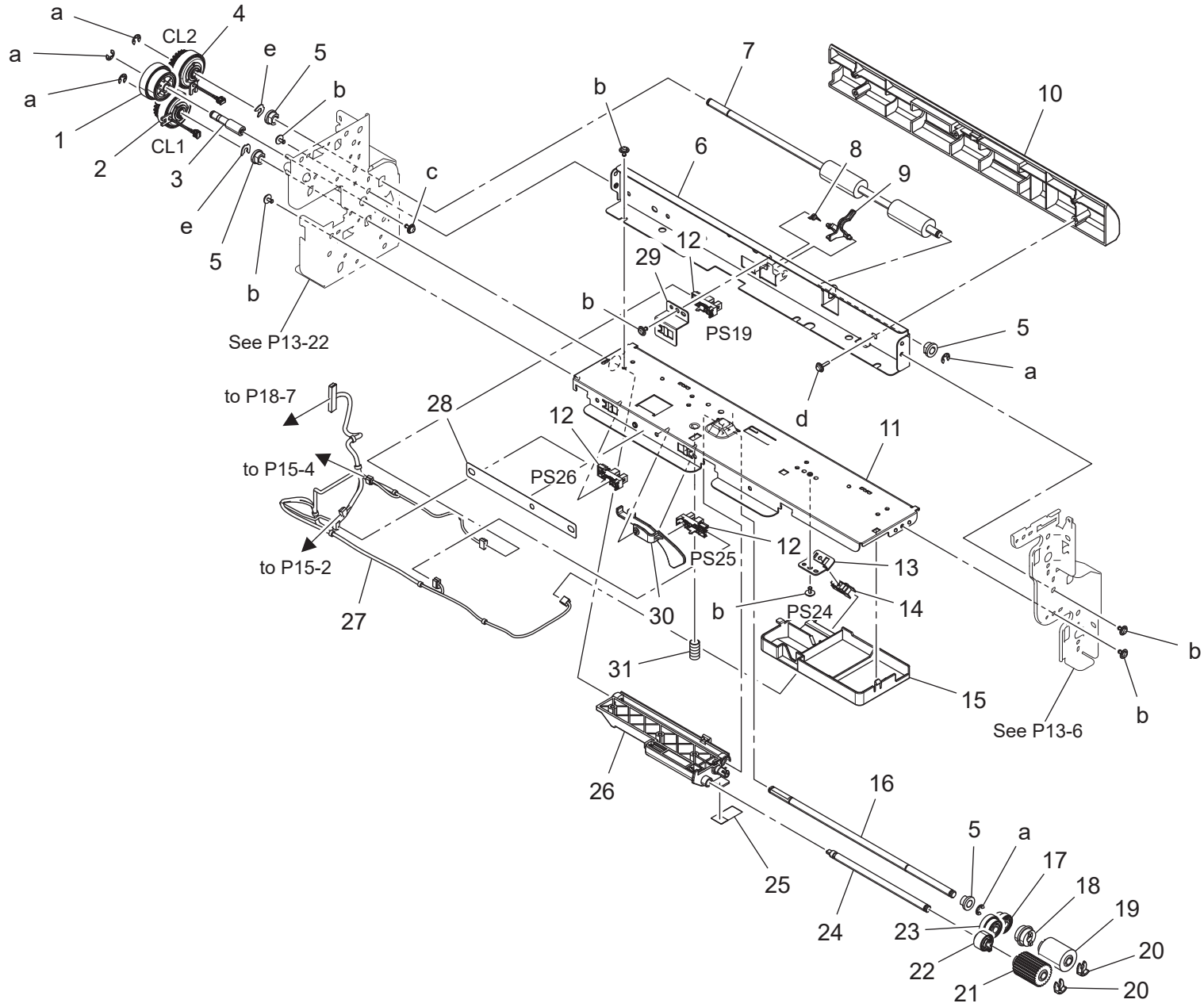
| | |
|------------------------|-----------------|
| 改訂版 REVISED EDITION | 日付 DATE |
| ▲ | JANUARY 2018 |



1ST PAPER FEED SECTION

| Key | Part No. | Description | Destinations | Class | QTY | Standard parts |
|-----|---------------|-------------------------|--------------|-------|-----|--|
| 1 | A7AH563902Old | Frame | | D | 1 | a-V144030603 b-V217040001 c-V153030803 |
| 1 | A7AH563914 | Frame | | D | 1 | |
| 2 | A7AH568402Old | Paper feed Guide | | C | 1 | |
| 2 | A7AH568414 | Paper feed Guide | | C | 1 | |
| 3 | A7AH560800 | Actuator | | C | 1 | |
| 4 | A7AH560700 | Torsion Coil spring | | C | 1 | |
| 5 | A7AH568500 | Guide | | C | 1 | |
| 7 | A5C1M50100 | Photointerrupter | | B | 1 | |
| 8 | A7AH568600 | Pulling Coil spring | | C | 1 | |
| 9 | 56AA40490 | SHAFT STOPPER 4 | | C | 2 | |
| 10 | A00J563600 | Roller | | A | 1 | |
| 11 | A0ED563900 | Torque limiter | | C | 1 | |
| 12 | A7AH565000 | Support Shaft | | D | 1 | |
| 13 | A7AH563101 | Holder | | D | 1 | |
| 14 | A7AH564112 | Release Lever | | C | 1 | |
| 15 | A7AH564401 | Pulling Coil spring | | C | 1 | |
| 16 | A7AH561300 | Compressing Coil spring | | C | 1 | |
| 17 | A02E815200 | BUSHING | | C | 1 | |
| 18 | A7AH570100 | Pulling Coil spring | | C | 1 | |
| 19 | A161826001 | Cushion /B | | D | 4 | |
| 20 | A7AH570200 | Slide Part | | C | 1 | |
| | | | | | | |
| | | | | | | |
| | | | | | | |
| | | | | | | |
| | | | | | | |
| | | | | | | |
| | | | | | | |
| | | | | | | |
| | | | | | | |

2ND PAPER FEED SECTION

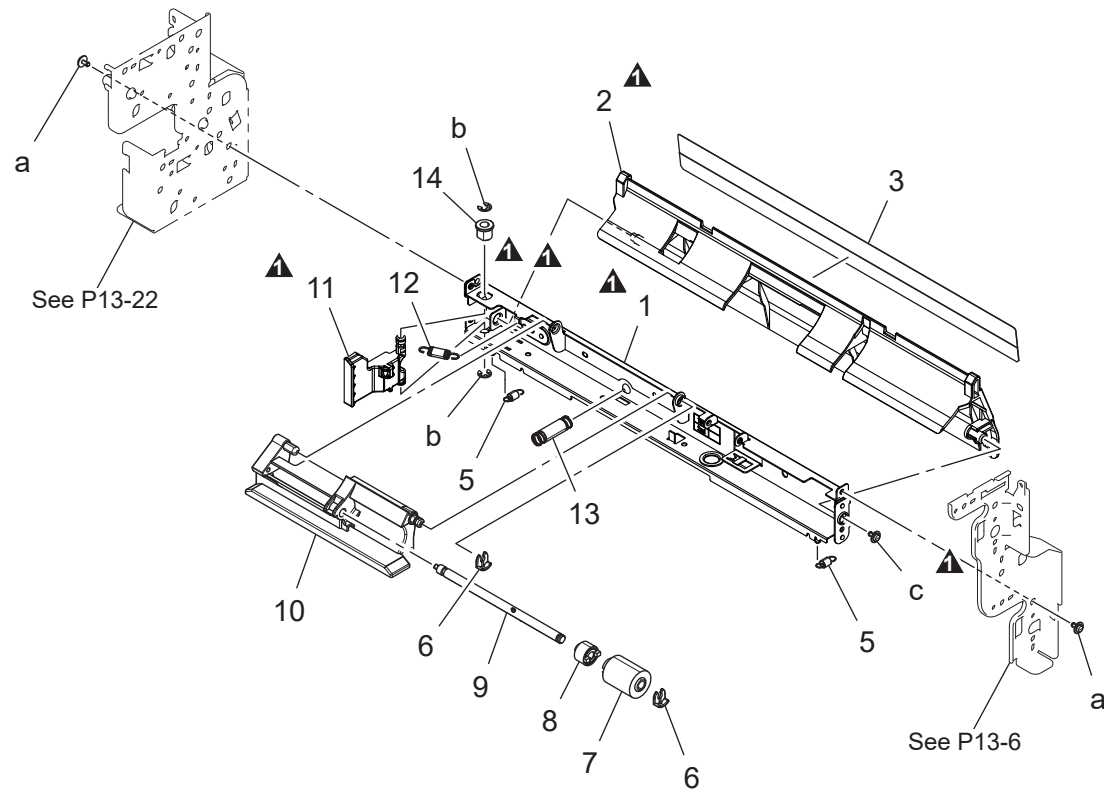


2ND PAPER FEED SECTION

| Key | Part No. | Description | Destinations | Class | QTY | Standard parts |
|-----|------------|-------------------------|--------------|-------|-----|--|
| 1 | A7AH563700 | Gear 24/35T | | C | 1 | a-V217040001 b-V144030603 c-V125030803 d-V153030803 e-V218040086 |
| 2 | A7AHM20501 | Clutch | | C | 1 | |
| 3 | A7AH563800 | Shaft | | D | 1 | |
| 4 | A7AHM20401 | Clutch | | C | 1 | |
| 5 | A7PU663200 | Bushing | | C | 4 | |
| 6 | A7AH579101 | Mounting Plate | | D | 1 | |
| 7 | A7AH578100 | Drive Roller | | C | 1 | |
| 8 | A7AH578800 | Torsion Coil spring | | C | 1 | |
| 9 | A7AH578600 | Actuator | | C | 1 | |
| 10 | A7AH578200 | Conveyance Guide | | D | 1 | |
| 11 | A7AH565301 | Paper feed Frame | | D | 1 | |
| 12 | A5C1M50100 | Photointerrupter | | B | 3 | |
| 13 | A7AH571100 | Mounting Plate | | D | 1 | |
| 14 | A0EDM50100 | Photoreflector | | I | 1 | |
| 15 | A7AH565702 | Conveyance Guide | | D | 1 | |
| 16 | A7AH560500 | Shaft /Paper feed | | D | 1 | |
| 17 | A7AH562400 | Paper feed Gear | | C | 1 | |
| 18 | A02E561100 | Clutch | | C | 1 | |
| 19 | A00J563600 | Roller | | A | 1 | |
| 20 | 56AA40490 | SHAFT STOPPER 4 | | C | 2 | |
| 21 | A5C1562200 | Roller | | A | 1 | |
| 22 | A7AH562600 | Conveyance Gear 28T | | C | 1 | |
| 23 | A7AH562300 | Idling Gear | | C | 1 | |
| 24 | A7AH563400 | Support Shaft | | D | 1 | |
| 25 | A7AH562900 | Protection Sheet | | C | 1 | |
| 26 | A7AH562100 | Conveyance Guide /4 | | D | 1 | |
| 27 | A7AHN13100 | Harness /Paperfeed | | D | 1 | |
| 28 | A7AH569500 | Protection Seal | | C | 1 | |
| 29 | A7AH579300 | Mounting Plate | | D | 1 | |
| 30 | A7AH561601 | Detecting Lever | | C | 1 | |
| 31 | A7AH562801 | Compressing Coil spring | | C | 1 | |
| | | | | | | |
| | | | | | | |
| | | | | | | |
| | | | | | | |
| | | | | | | |
| | | | | | | |
| | | | | | | |

2ND PAPER FEED SECTION

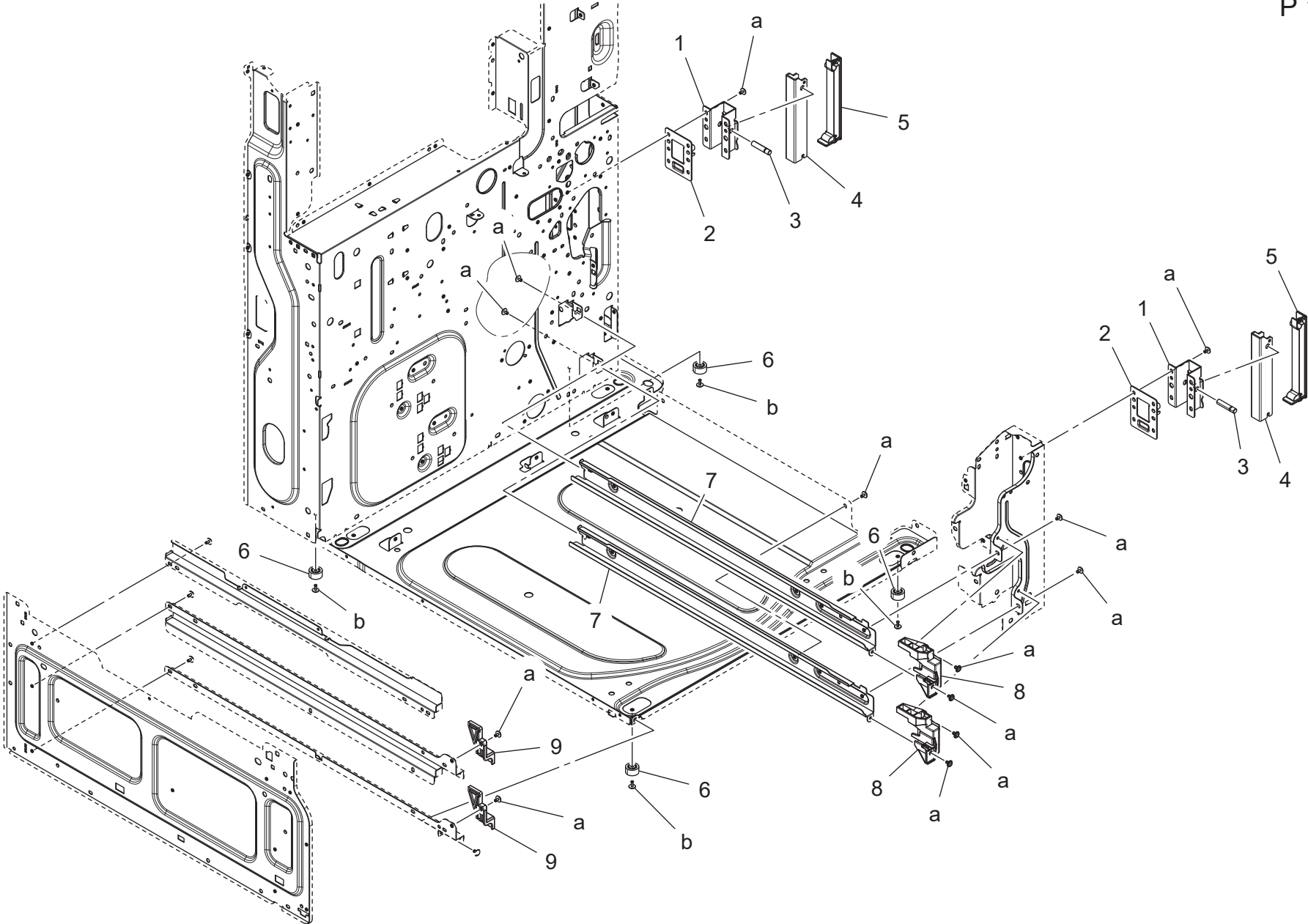
| | |
|------------------------|-----------------|
| 改訂版 REVISED EDITION | 日付 DATE |
| ▲ | JANUARY 2018 |



2ND PAPER FEED SECTION

| Key | Part No. | Description | Destinations | Class | QTY | Standard parts |
|-----|---------------|-------------------------|--------------|-------|-----|--|
| 1 | A7AH563902Old | Frame | | D | 1 | a-V144030603 b-V217040001 c-V153030803 |
| 1 | A7AH563914 | Frame | | D | 1 | |
| 2 | A7AH578401Old | Paper feed Guide | | C | 1 | |
| 2 | A7AH578413 | Paper feed Guide | | C | 1 | |
| 3 | A7AH568500 | Guide | | C | 1 | |
| 5 | A7AH568700 | Pulling Coil spring | | C | 2 | |
| 6 | 56AA40490 | SHAFT STOPPER 4 | | C | 2 | |
| 7 | A00J563600 | Roller | | A | 1 | |
| 8 | A0ED563900 | Torque limiter | | C | 1 | |
| 9 | A7AH565000 | Support Shaft | | D | 1 | |
| 10 | A7AH563101 | Holder | | D | 1 | |
| 11 | A7AH564112 | Release Lever | | C | 1 | |
| 12 | A7AH564401 | Pulling Coil spring | | C | 1 | |
| 13 | A7AH561300 | Compressing Coil spring | | C | 1 | |
| 14 | A02E815200 | BUSHING | | C | 1 | |
| | | | | | | |
| | | | | | | |
| | | | | | | |
| | | | | | | |
| | | | | | | |
| | | | | | | |
| | | | | | | |
| | | | | | | |

CASSETTE RAIL SECTION

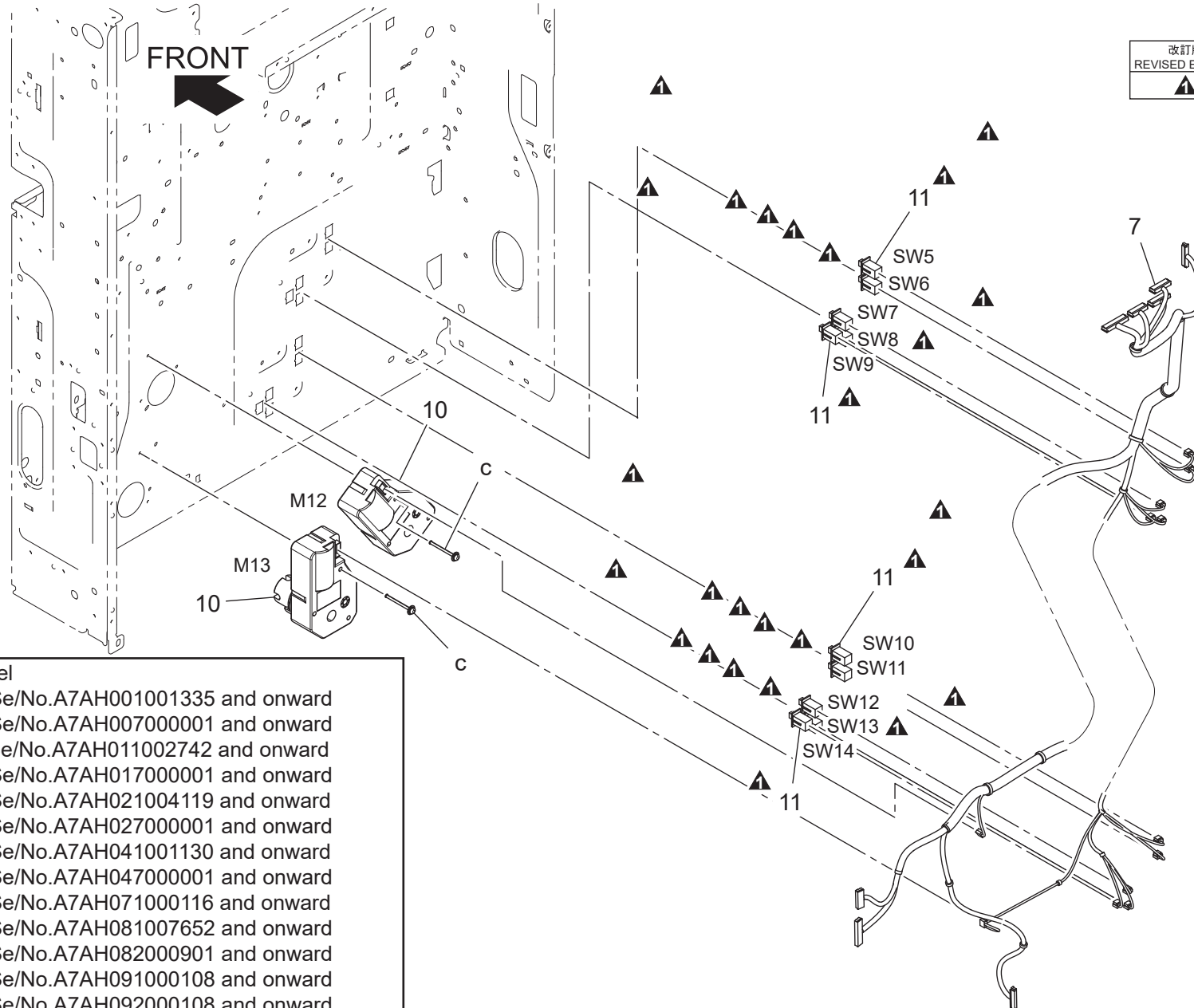


CASSETTE RAIL SECTION

| Key | Part No. | Description | Destinations | Class | QTY | Standard parts |
|-----|------------|----------------------------|--------------|-------|-----|------------------------------|
| 1 | A7AH101600 | Mounting Plate | | D | 2 | a-V144030603 b-V144030803 |
| 2 | A7AH102000 | Mounting Plate /Right rear | | D | 2 | |
| 3 | A7AH101900 | Shaft | | D | 2 | |
| 4 | A161101900 | Lever | | D | 2 | |
| 5 | A7AH102300 | Cover | | D | 2 | |
| 6 | 0996305501 | RUBBER FOOT | | C | 4 | |
| 7 | A7AH103000 | Rail | | D | 2 | |
| 8 | A7AH120102 | Stopper | | C | 2 | |
| 9 | A7AH121301 | Stopper | | C | 2 | |
| | | | | | | |
| | | | | | | |
| | | | | | | |
| | | | | | | |
| | | | | | | |
| | | | | | | |
| | | | | | | |
| | | | | | | |
| | | | | | | |
| | | | | | | |
| | | | | | | |
| | | | | | | |

PAPER SIZE DETECTION SECTION

| | |
|------------------------|----------------|
| 改訂版 REVISED EDITION | 日付 DATE |
| ▲ | AUGUST 2016 |



- Applied Model
- A7AH-001: Se/No.A7AH001001335 and onward
 - A7AH-007: Se/No.A7AH007000001 and onward
 - A7AH-011: Se/No.A7AH011002742 and onward
 - A7AH-017: Se/No.A7AH017000001 and onward
 - A7AH-021: Se/No.A7AH021004119 and onward
 - A7AH-027: Se/No.A7AH027000001 and onward
 - A7AH-041: Se/No.A7AH041001130 and onward
 - A7AH-047: Se/No.A7AH047000001 and onward
 - A7AH-071: Se/No.A7AH071000116 and onward
 - A7AH-081: Se/No.A7AH081007652 and onward
 - A7AH-082: Se/No.A7AH082000901 and onward
 - A7AH-091: Se/No.A7AH091000108 and onward
 - A7AH-092: Se/No.A7AH092000108 and onward

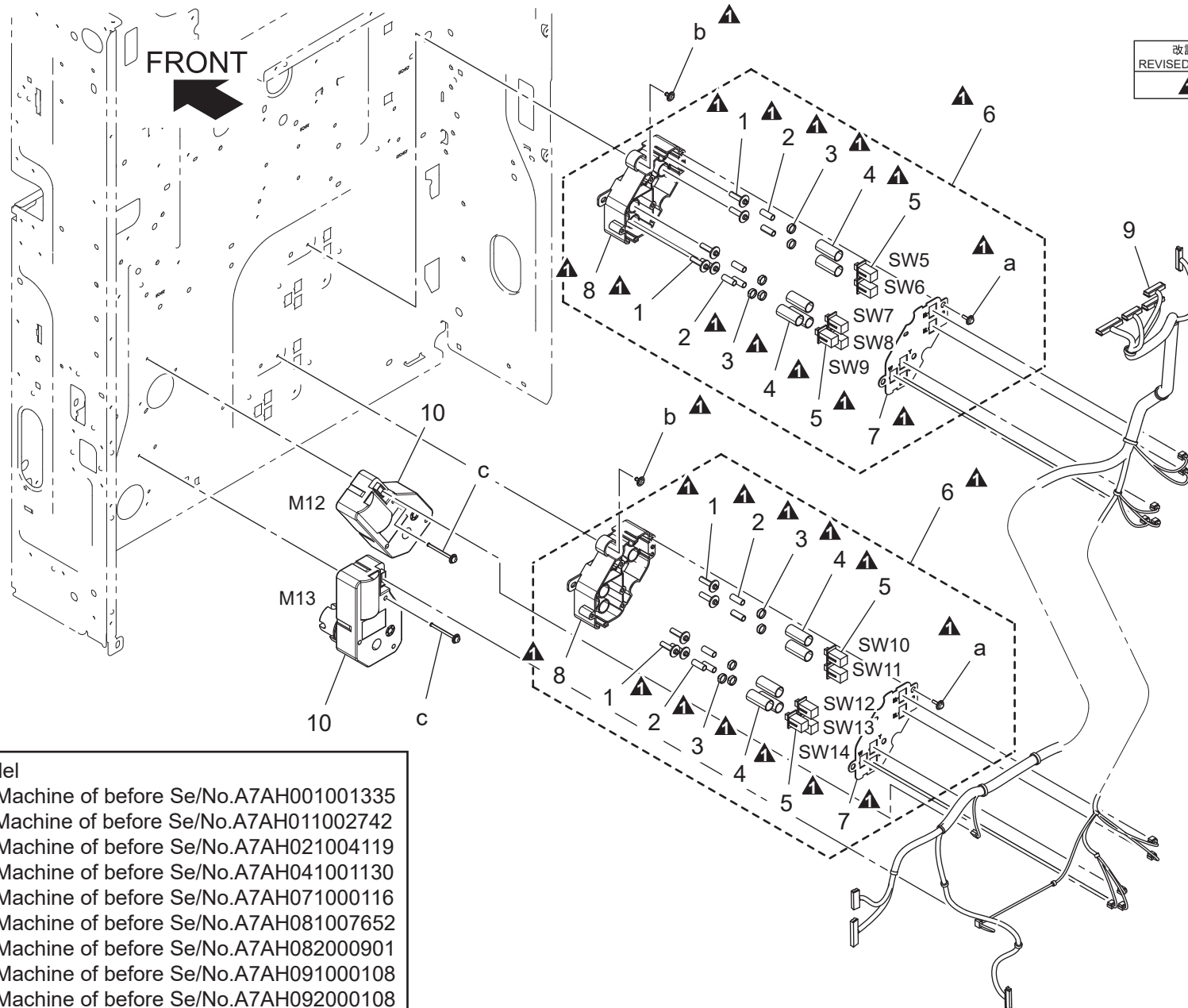
PAPER SIZE DETECTION SECTION

| Key | Part No. | Description | Destinations | Class | QTY | Standard parts |
|-----|------------|----------------------------|--------------|-------|-----|----------------|
| 7 | A7AHN12200 | Harness /Paper Feed Wiring | | D | 1 | c-V116033003 |
| 10 | 9J06M10300 | MOTOR | | B | 2 | |
| 11 | A797M60100 | Switch | | C | 10 | |
| | | | | | | |
| | | | | | | |
| | | | | | | |
| | | | | | | |
| | | | | | | |
| | | | | | | |
| | | | | | | |
| | | | | | | |
| | | | | | | |
| | | | | | | |
| | | | | | | |
| | | | | | | |
| | | | | | | |
| | | | | | | |
| | | | | | | |

PAPER SIZE DETECTION SECTION

P 18A

| | |
|------------------------|-------------------|
| 改訂版 REVISED EDITION | 日付 DATE |
| ▲ | SEPTEMBER 2017 |

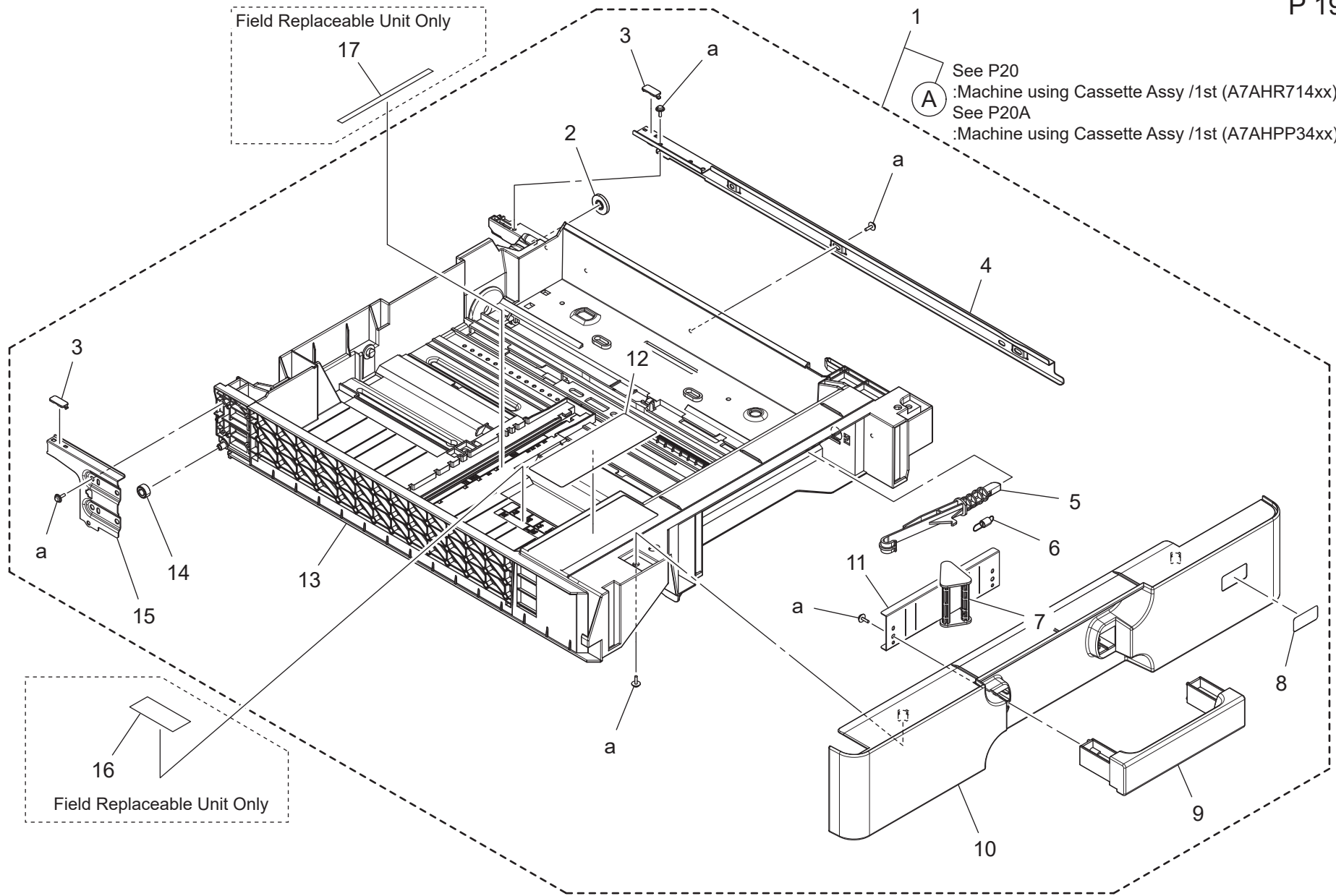


- Applied Model
- A7AH-001: Machine of before Se/No.A7AH001001335
 - A7AH-011: Machine of before Se/No.A7AH011002742
 - A7AH-021: Machine of before Se/No.A7AH021004119
 - A7AH-041: Machine of before Se/No.A7AH041001130
 - A7AH-071: Machine of before Se/No.A7AH071000116
 - A7AH-081: Machine of before Se/No.A7AH081007652
 - A7AH-082: Machine of before Se/No.A7AH082000901
 - A7AH-091: Machine of before Se/No.A7AH091000108
 - A7AH-092: Machine of before Se/No.A7AH092000108

PAPER SIZE DETECTION SECTION

| Key | Part No. | Description | Destinations | Class | QTY | Standard parts |
|-----|------------|----------------------------|--------------|-------|-----|--|
| 1 | A7AH627501 | Lever | | D | 10 | a-V153030803 b-V144030603 c-V116033003 |
| 2 | A7AH627701 | Spring | | D | 10 | |
| 3 | A7AH627900 | Stopper | | D | 10 | |
| 4 | A7AH627800 | Spring | | C | 10 | |
| 5 | A7AHM60100 | Switch | | C | 10 | |
| 6 | A7AHR72800 | Paper Size Detection Assy | | C | 2 | |
| 7 | A7AH627600 | Cover | | D | 2 | |
| 8 | A7AH627400 | Case | | D | 2 | |
| 9 | A7AHN12200 | Harness /Paper Feed Wiring | | D | 1 | |
| 10 | 9J06M10300 | MOTOR | | B | 2 | |
| | | | | | | |
| | | | | | | |
| | | | | | | |
| | | | | | | |
| | | | | | | |
| | | | | | | |
| | | | | | | |
| | | | | | | |
| | | | | | | |
| | | | | | | |


1ST CASSETTE SECTION



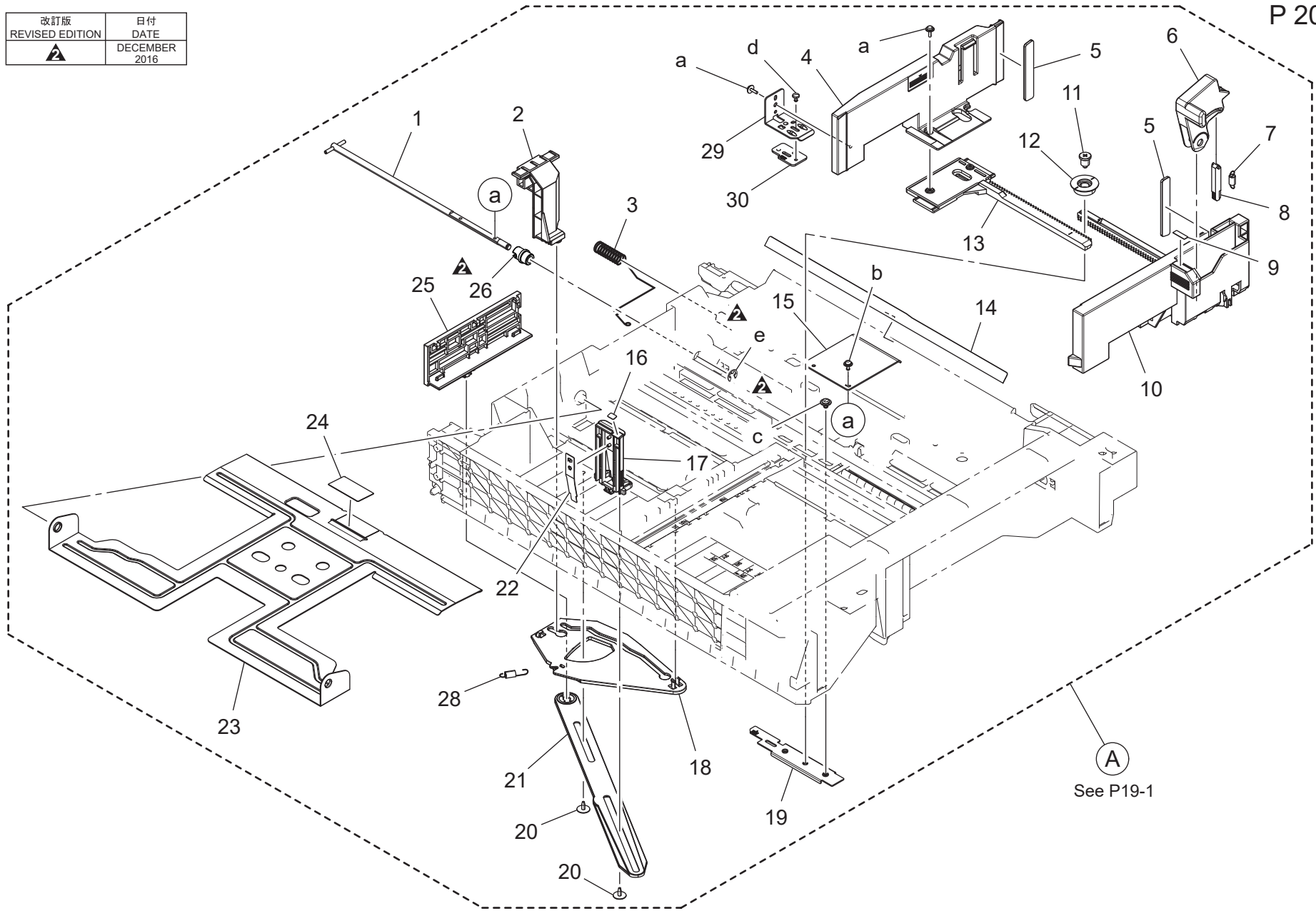
1ST CASSETTE SECTION

| Key | Part No. | Description | Destinations | Class | QTY | Standard parts | |
|-----|------------|-----------------------------|----------------------|------------------------|-----|----------------|--------------|
| 1 | A7AHP3400 | Cassette Assy /1st | カセット A s s y / 1 段目 | (Except Refresh Model) | S | 1 | a-V153030803 |
| 1 | A7AHP3400 | Cassette Assy /1st | カセット A s s y / 1 段目 | (Refresh Model) | S | 1 | |
| 2 | A7AH629901 | Roll | ころ | C | 1 | | |
| 3 | A7AH622901 | Slide Part | すべり材 | D | 2 | | |
| 4 | A7AH623400 | Rail | レール | D | 1 | | |
| 5 | A7AH624100 | Lever | レバー | C | 1 | | |
| 6 | A161626800 | Pulling Coil spring | 引張りコイルばね (ロックレバー) | C | 1 | | |
| 7 | A161626602 | Lever | レバー (解除) | C | 1 | | |
| 8 | A7AH941101 | Label 1 | ラベル 1 | C | 1 | | |
| 9 | A7AH626901 | Handle | 取手 | C | 1 | | |
| 10 | A7AH625101 | Cover /Upper | カバー / 上 | C | 1 | | |
| 11 | A7AH624300 | Holder | ホルダ | D | 1 | | |
| 12 | A7AH941001 | Label Paper supply | ラベル 用紙補給 | C | 1 | | |
| 13 | A7AH620105 | Paper feed Cassette | 給紙カセット (B 4) | (Except Refresh Model) | D | 1 | |
| 13 | A7AH620200 | CASSETTE : 1st : PAPER FEED | 給紙カセット (1 段目) | (Refresh Model) | D | 1 | |
| 14 | A161623400 | Roll | ころ | D | 1 | | |
| 15 | A7AH623201 | Rail /Left | レール / 左 | D | 1 | | |
| 16 | A7AHP00100 | Label | ラベル (カセット・CD スケール 1) | C | 1 | | |
| 17 | A7AHP00200 | Label | ラベル (カセット・FD スケール 1) | C | 1 | | |
| | | | | | | | |
| | | | | | | | |
| | | | | | | | |
| | | | | | | | |
| | | | | | | | |
| | | | | | | | |
| | | | | | | | |
| | | | | | | | |
| | | | | | | | |

1ST CASSETTE SECTION

| | |
|---|------------------|
| 改訂版 REVISED EDITION | 日付 DATE |
|  | DECEMBER 2016 |

P 20

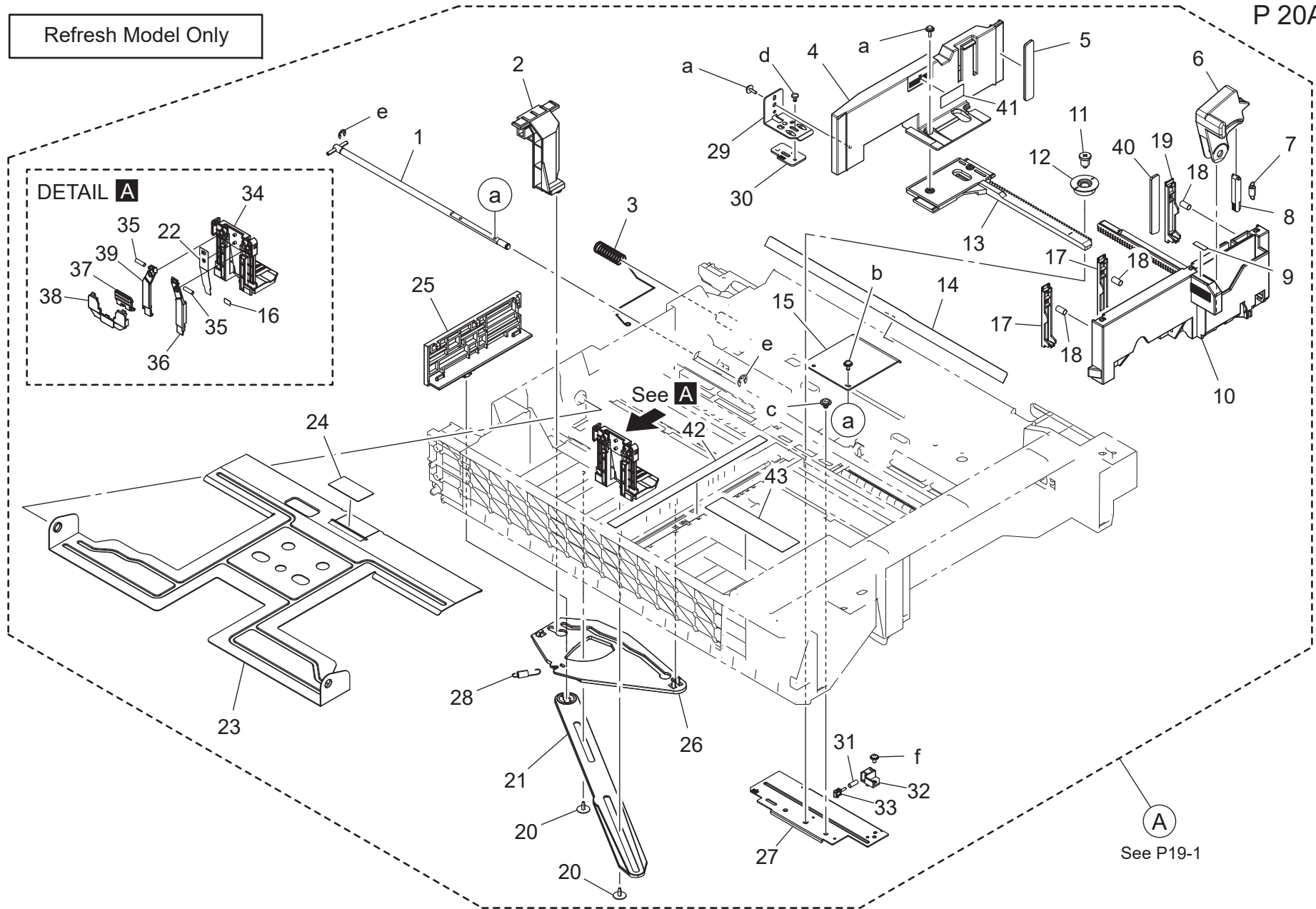


| Key | Part No. | Description | Destinations | Class | QTY | Standard parts |
|-----|---------------|------------------------|--------------|-------|-----|--|
| 1 | A7AH621601Old | Lifting Shaft | | D | 1 | a-V153030803 b-V125030803 c-V127040603 d-V143030603 e-V217040001 |
| 1 | A7AH621612 | Lifting Shaft | | D | 1 | |
| 2 | A7AH623602 | Lever | | D | 1 | |
| 3 | A7AH622100 | Ground Spring | | C | 1 | |
| 4 | A7AH620902Old | Regulating Plate /Rear | | C | 1 | |
| 4 | A7AH620913 | Regulating Plate /Rear | | C | 1 | |
| 5 | A161624100 | Cushion | | C | 2 | |
| 6 | A7AH621300 | Operation Lever | | C | 1 | |
| 7 | A7AH621000 | Pulling Coil spring | | C | 1 | |
| 8 | A7AH621200 | Lock Lever | | D | 1 | |
| 9 | A161943000 | Label | | C | 1 | |
| 10 | A7AH620801 | Regulating Plate | | C | 1 | |
| 11 | A7AH628200 | Shoulder screw | | C | 1 | |
| 12 | A161620701 | Gear | | D | 1 | |
| 13 | A7AH622401 | Regulating Plate /Rear | | C | 1 | |
| 14 | A7AH629600 | Guide | | C | 1 | |
| 15 | 4030320601 | LEVER | | D | 1 | |
| 16 | A7AH941300 | Label Position | | C | 1 | |
| 17 | A7AH621701 | Regulating Plate | | D | 1 | |
| 18 | A7AH623501 | Lever | | D | 1 | |
| 19 | A7AH620601 | Adjusting Plate | | D | 1 | |
| 20 | 4163529301 | SCREW | | C | 2 | |
| 21 | A7AH621401 | Lever | | D | 1 | |
| 22 | A7AH621801 | Plate spring | | D | 1 | |
| 23 | A7AH620400 | Lifting Plate | | D | 1 | |
| 24 | A7AH627000 | Separating Sheet | | C | 1 | |
| 25 | A7AH622201 | Detecting Plate | | D | 1 | |
| 26 | A7AH621502 | Bushing | | C | 1 | |
| 28 | A7AH623700 | Pulling Coil spring | | C | 1 | |
| 29 | A7AH622600 | Mounting Plate | | D | 1 | |
| 30 | A7AH622700 | Adjusting Plate | | D | 1 | |
| | | | | | | |
| | | | | | | |
| | | | | | | |
| | | | | | | |
| | | | | | | |

1ST CASSETTE SECTION

P 20A

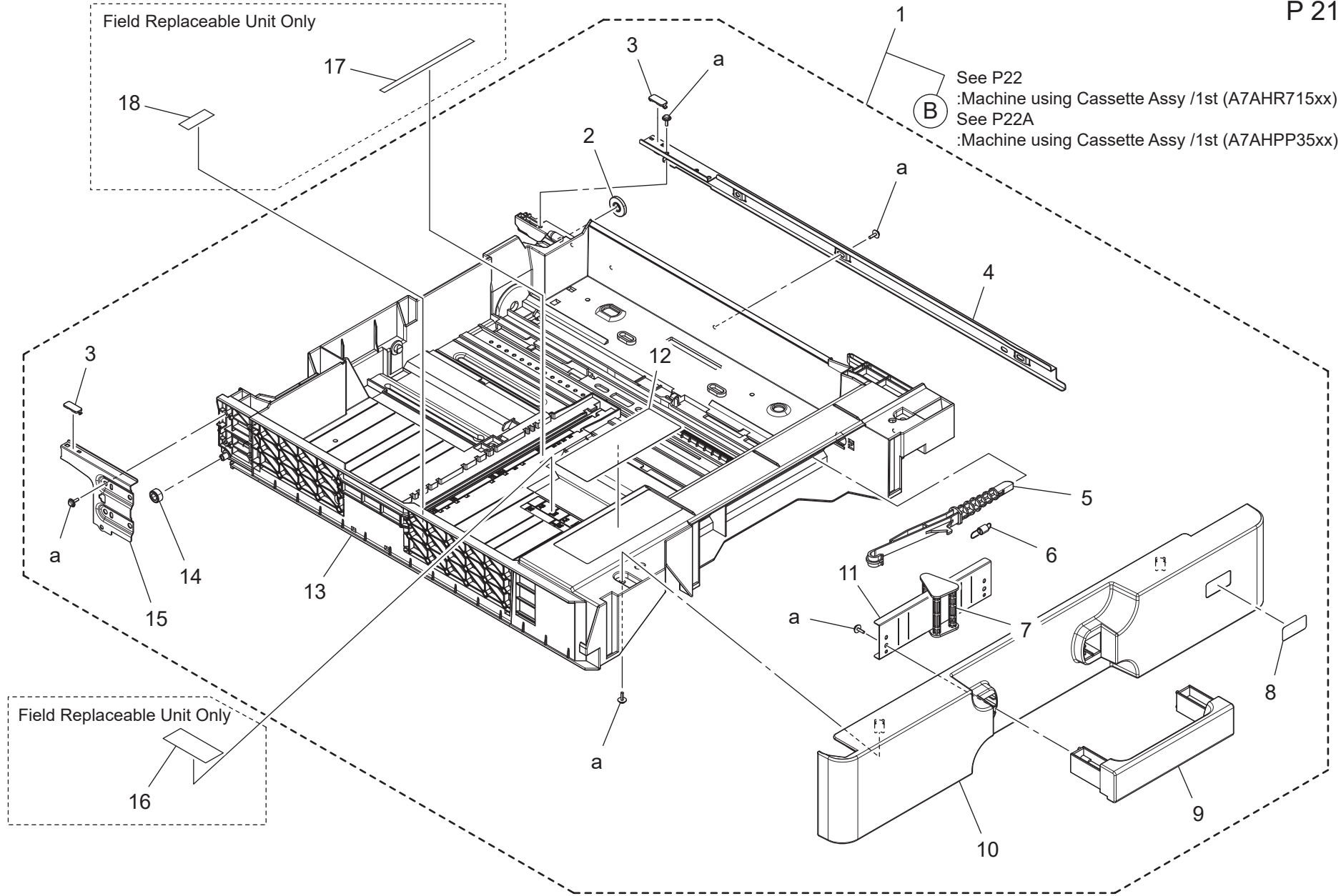
Refresh Model Only



1ST CASSETTE SECTION

| Key | Part No. | Description | Destinations | Class | QTY | Standard parts |
|-----|------------|---|--|-------|-----|--|
| 1 | A7AH624600 | SHAFT :LIFTING :BOTTOM PLATE :ASSY | 押上げ軸 (Refresh Model) | D | 1 | a-V153030803 b-V125030803 c-V127040603 d-V143030603 e-V217040001 f-V127030604 |
| 2 | A7AH623602 | Lever | レバー (Refresh Model) | D | 1 | |
| 3 | A7AH622100 | Ground Spring | アースばね (Refresh Model) | C | 1 | |
| 4 | A7AH620913 | Regulating Plate /Rear | 規制板/後 (Refresh Model) | C | 1 | |
| 5 | A161624100 | Cushion | クッション (ガイド) (Refresh Model) | C | 1 | |
| 6 | A795621301 | Operation Lever | 操作レバー (Refresh Model) | C | 1 | |
| 7 | A7AH621000 | Pulling Coil spring | 引張りコイルばね (Refresh Model) | C | 1 | |
| 8 | A7AH621200 | Lock Lever | ロックレバー (Refresh Model) | D | 1 | |
| 9 | A161943000 | Label | ラベル (Refresh Model) | C | 1 | |
| 10 | A795620800 | Regulating Plate | 規制板 (Refresh Model) | C | 1 | |
| 11 | A7AH628200 | Shoulder screw | 段ねじ (Refresh Model) | C | 1 | |
| 12 | A161620701 | Gear | ギア (Refresh Model) | D | 1 | |
| 13 | A7AH622401 | Regulating Plate /Rear | 規制板/奥 (Refresh Model) | C | 1 | |
| 14 | A7AH629600 | Guide | ガイド (Refresh Model) | C | 1 | |
| 15 | 4030320601 | LEVER | レバー (Refresh Model) | D | 1 | |
| 16 | A7AH941300 | Label Position | ラベル セット位置 (Refresh Model) | C | 1 | |
| 17 | A795622600 | Auxiliary Guide /2 | 補助ガイド/2 (Refresh Model) | C | 2 | |
| 18 | A795622700 | Compressing Spring | 圧縮ばね (Refresh Model) | C | 3 | |
| 19 | A795622500 | Auxiliary Guide /1 | 補助ガイド/1 (Refresh Model) | C | 1 | |
| 20 | 4163529301 | SCREW | ねじ (Refresh Model) | C | 2 | |
| 21 | A7AH621401 | Lever | レバー (Refresh Model) | D | 1 | |
| 22 | A7AH621801 | Plate spring | 板ばね (Refresh Model) | D | 1 | |
| 23 | A7AH620400 | Lifting Plate | 押上げ板 (Refresh Model) | D | 1 | |
| 24 | A7AH627000 | Separating Sheet | 分離シート (Refresh Model) | C | 1 | |
| 25 | A7AH622201 | Detecting Plate | 検出板 (Refresh Model) | D | 1 | |
| 26 | A7AH624500 | LEVER : PAPER SIZE : CD dir : CASSE TTE | レバー (CD サイズ) (Refresh Model) | D | 1 | |
| 27 | A7AH620500 | ADJUSTING PLATE : SIDE FENCE : CASS ETTE | 調整板 (CD 規制) (Refresh Model) | D | 1 | |
| 28 | A7AH623700 | Pulling Coil spring | 引張りコイルばね (Refresh Model) | C | 1 | |
| 29 | A7AH622600 | Mounting Plate | 取付板 (サイズ検知) (Refresh Model) | D | 1 | |
| 30 | A7AH622700 | Adjusting Plate | 調整板 (サイズ検知) (Refresh Model) | D | 1 | |
| 31 | A795565900 | Compressing Spring | 圧縮ばね (Refresh Model) | C | 1 | |
| 32 | A795565700 | Holder | ホルダ (Refresh Model) | C | 1 | |
| 33 | A795565800 | Lever | レバー (Refresh Model) | C | 1 | |
| 34 | A7AH635000 | BASE : END FENCE : CASSETTE | 規制板 (後端) (Refresh Model) | D | 1 | |
| 35 | A795565500 | Compressing Spring | 圧縮ばね (Refresh Model) | C | 2 | |
| 36 | A7AH635100 | STOPPER : END FENCE : FRONT | ストッパ/前 (Refresh Model) | D | 1 | |
| 37 | A7AH635400 | LEVER : END FENCE : CASSETTE | レバー (FD 規制) (Refresh Model) | D | 1 | |
| 38 | A7AH635300 | COVER : END FENCE : CASSETTE | カバー (FD 規制) (Refresh Model) | D | 1 | |
| 39 | A7AH635200 | STOPPER : END FENCE : REAR | ストッパ/後 (Refresh Model) | D | 1 | |
| 40 | A795566000 | Cushion | クッション (Refresh Model) | C | 1 | |
| 41 | AA2J943701 | Label | ラベル (積載量) (Refresh Model) | D | 1 | |
| 42 | A7AH943501 | Label | ラベル (カセット・FD スケール1) (Refresh Model) | C | 1 | |
| 43 | A7AH943401 | Label | ラベル (カセット・CD スケール1) (Refresh Model) | C | 1 | |
| | | | | | | |
| | | | | | | |

2ND CASSETTE SECTION



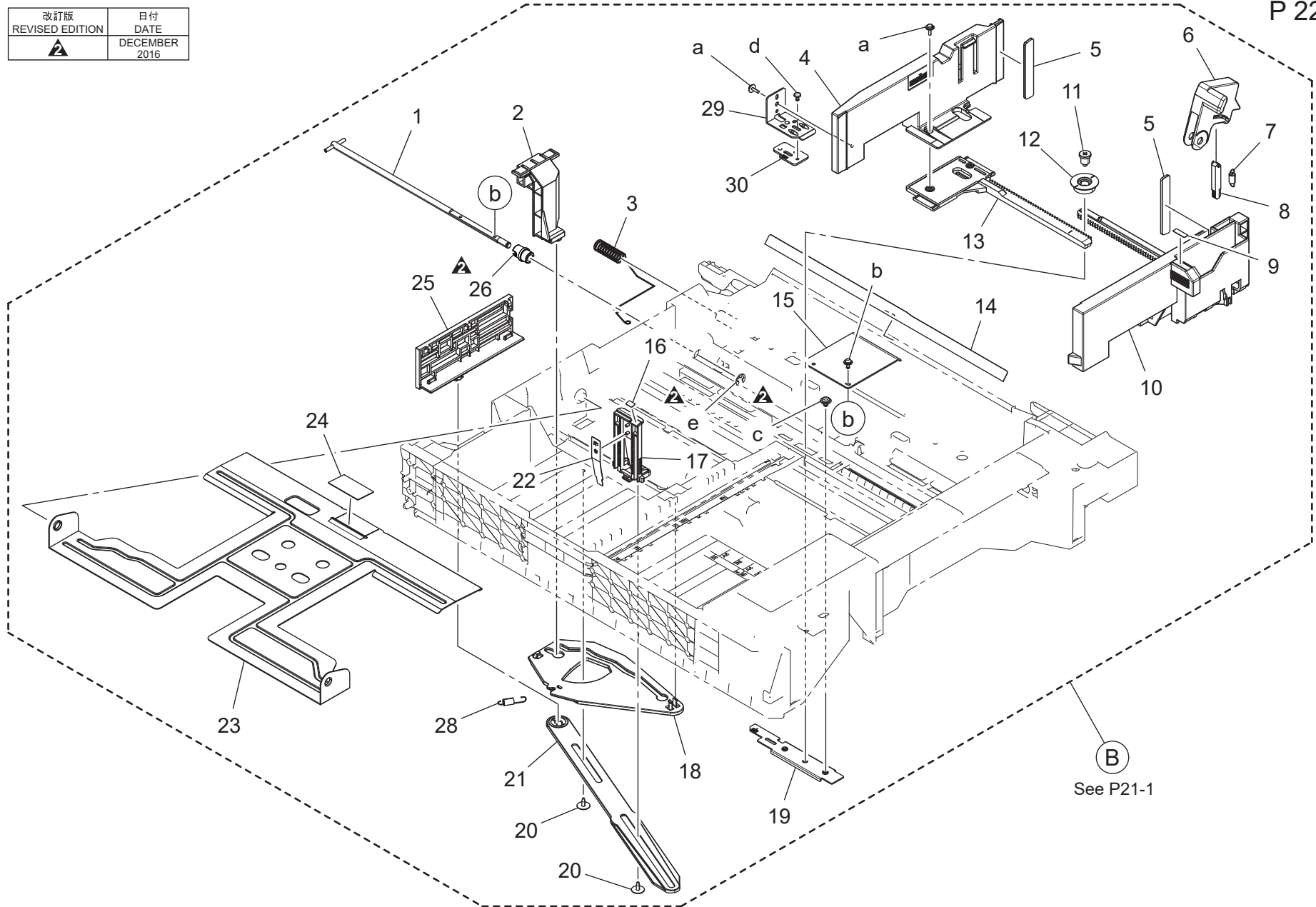
2ND CASSETTE SECTION

| Key | Part No. | Description | Destinations | Class | QTY | Standard parts | |
|-----|------------|-----------------------------|---------------------|------------------------|-----|----------------|--------------|
| 1 | A7AHP3500 | Cassette Assy /2nd | カセット A s s y / 2 段目 | (Except Refresh Model) | S | 1 | a-V153030803 |
| 1 | A7AHP3500 | Cassette Assy /2nd | カセット A s s y / 2 段目 | (Refresh Model) | S | 1 | |
| 2 | A7AH629901 | Roll | ころ | C | 1 | | |
| 3 | A7AH622901 | Slide Part | すべり材 | D | 2 | | |
| 4 | A7AH623400 | Rail | レール | D | 1 | | |
| 5 | A7AH624200 | Lever | レバー | C | 1 | | |
| 6 | A161626800 | Pulling Coil spring | 引張りコイルばね (ロックレバー) | C | 1 | | |
| 7 | A161626602 | Lever | レバー (解除) | C | 1 | | |
| 8 | A7AH941201 | Label 2 | ラベル 2 | C | 1 | | |
| 9 | A7AH626901 | Handle | 取手 | C | 1 | | |
| 10 | A7AH625200 | Cover /Lower | カバー/下 | C | 1 | | |
| 11 | A7AH624300 | Holder | ホルダ | D | 1 | | |
| 12 | A7AH941001 | Label Paper supply | ラベル 用紙補給 | C | 1 | | |
| 13 | A7AH630104 | Paper feed Cassette | 給紙カセット (A 3) | (Except Refresh Model) | D | 1 | |
| 13 | A7AH630200 | CASSETTE : 2nd : PAPER FEED | 給紙カセット (2 段目) | (Refresh Model) | D | 1 | |
| 14 | A161623400 | Roll | ころ | D | 1 | | |
| 15 | A7AH623201 | Rail /Left | レール/左 | D | 1 | | |
| 16 | A7AHP00100 | Label | ラベル (カセット・CD スケール1) | C | 1 | | |
| 17 | A7AHP00200 | Label | ラベル (カセット・FD スケール1) | C | 1 | | |
| 18 | A7AHP00300 | Label | ラベル (カセット・FD スケール2) | C | 1 | | |
| | | | | | | | |
| | | | | | | | |
| | | | | | | | |
| | | | | | | | |
| | | | | | | | |
| | | | | | | | |
| | | | | | | | |
| | | | | | | | |
| | | | | | | | |

2ND CASSETTE SECTION

| | |
|---|------------------|
| 改訂版 REVISED EDITION | 日付 DATE |
|  | DECEMBER 2016 |

P 22



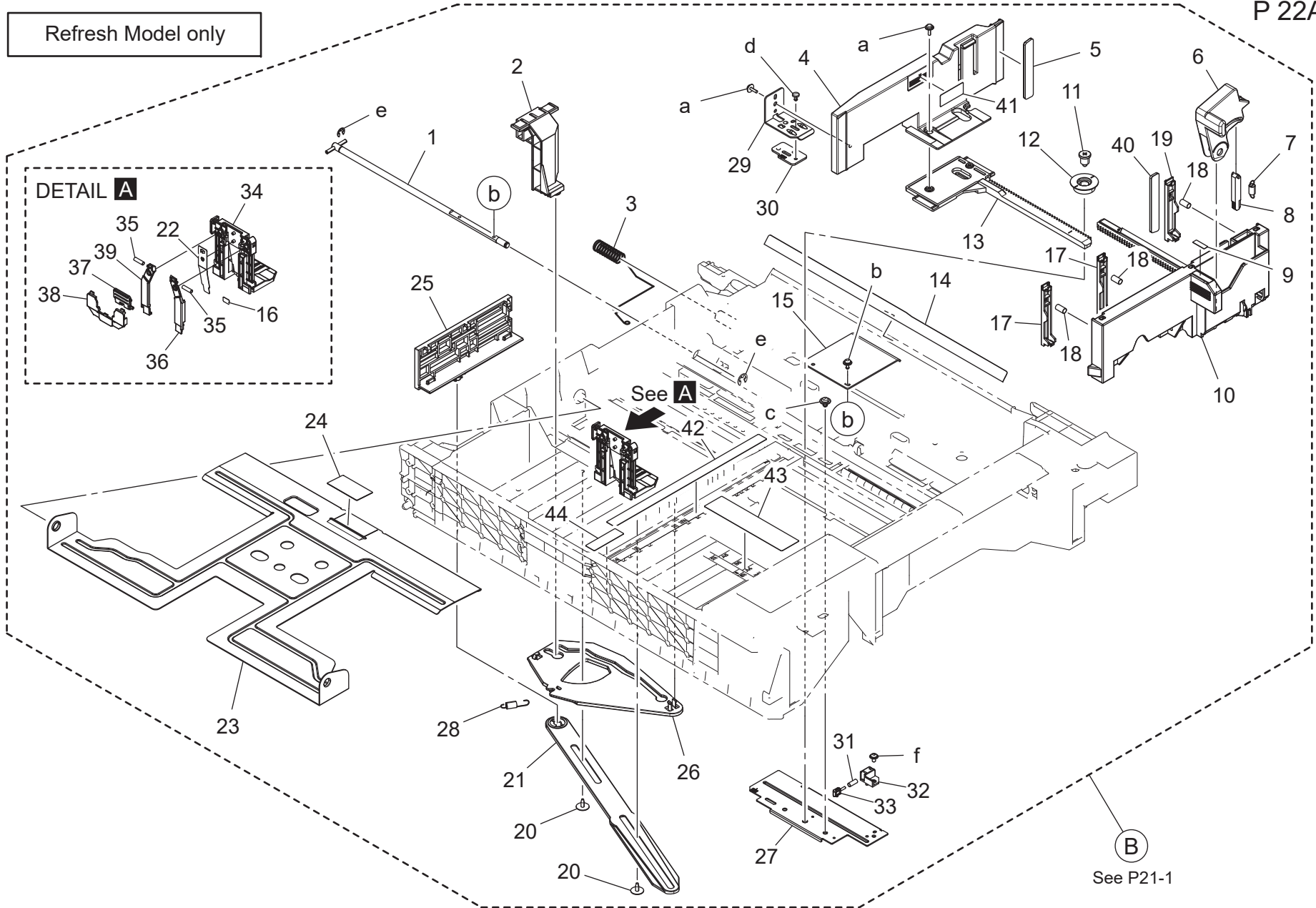
B
See P21-1

| Key | Part No. | Description | Destinations | Class | QTY | Standard parts |
|-----|---------------|------------------------|--------------|-------|-----|--|
| 1 | A7AH621601Old | Lifting Shaft | | D | 1 | a-V153030803 b-V125030803 c-V127040603 d-V143030603 e-V217040001 |
| 1 | A7AH621612 | Lifting Shaft | | D | 1 | |
| 2 | A7AH623602 | Lever | | D | 1 | |
| 3 | A7AH622100 | Ground Spring | | C | 1 | |
| 4 | A7AH620902Old | Regulating Plate /Rear | | C | 1 | |
| 4 | A7AH620913 | Regulating Plate /Rear | | C | 1 | |
| 5 | A161624100 | Cushion | | C | 2 | |
| 6 | A7AH621300 | Operation Lever | | C | 1 | |
| 7 | A7AH621000 | Pulling Coil spring | | C | 1 | |
| 8 | A7AH621200 | Lock Lever | | D | 1 | |
| 9 | A161943000 | Label | | C | 1 | |
| 10 | A7AH620801 | Regulating Plate | | C | 1 | |
| 11 | A7AH628200 | Shoulder screw | | C | 1 | |
| 12 | A161620701 | Gear | | D | 1 | |
| 13 | A7AH622401 | Regulating Plate /Rear | | C | 1 | |
| 14 | A7AH629600 | Guide | | C | 1 | |
| 15 | 4030320601 | LEVER | | D | 1 | |
| 16 | A7AH941300 | Label Position | | C | 1 | |
| 17 | A7AH621701 | Regulating Plate | | D | 1 | |
| 18 | A7AH623501 | Lever | | D | 1 | |
| 19 | A7AH620601 | Adjusting Plate | | D | 1 | |
| 20 | 4163529301 | SCREW | | C | 2 | |
| 21 | A7AH621401 | Lever | | D | 1 | |
| 22 | A7AH621801 | Plate spring | | D | 1 | |
| 23 | A7AH620400 | Lifting Plate | | D | 1 | |
| 24 | A7AH627000 | Separating Sheet | | C | 1 | |
| 25 | A7AH622201 | Detecting Plate | | D | 1 | |
| 26 | A7AH621502 | Bushing | | C | 1 | |
| 28 | A7AH623700 | Pulling Coil spring | | C | 1 | |
| 29 | A7AH622600 | Mounting Plate | | D | 1 | |
| 30 | A7AH622700 | Adjusting Plate | | D | 1 | |
| | | | | | | |
| | | | | | | |
| | | | | | | |
| | | | | | | |
| | | | | | | |

2ND CASSETTE SECTION

P 22A

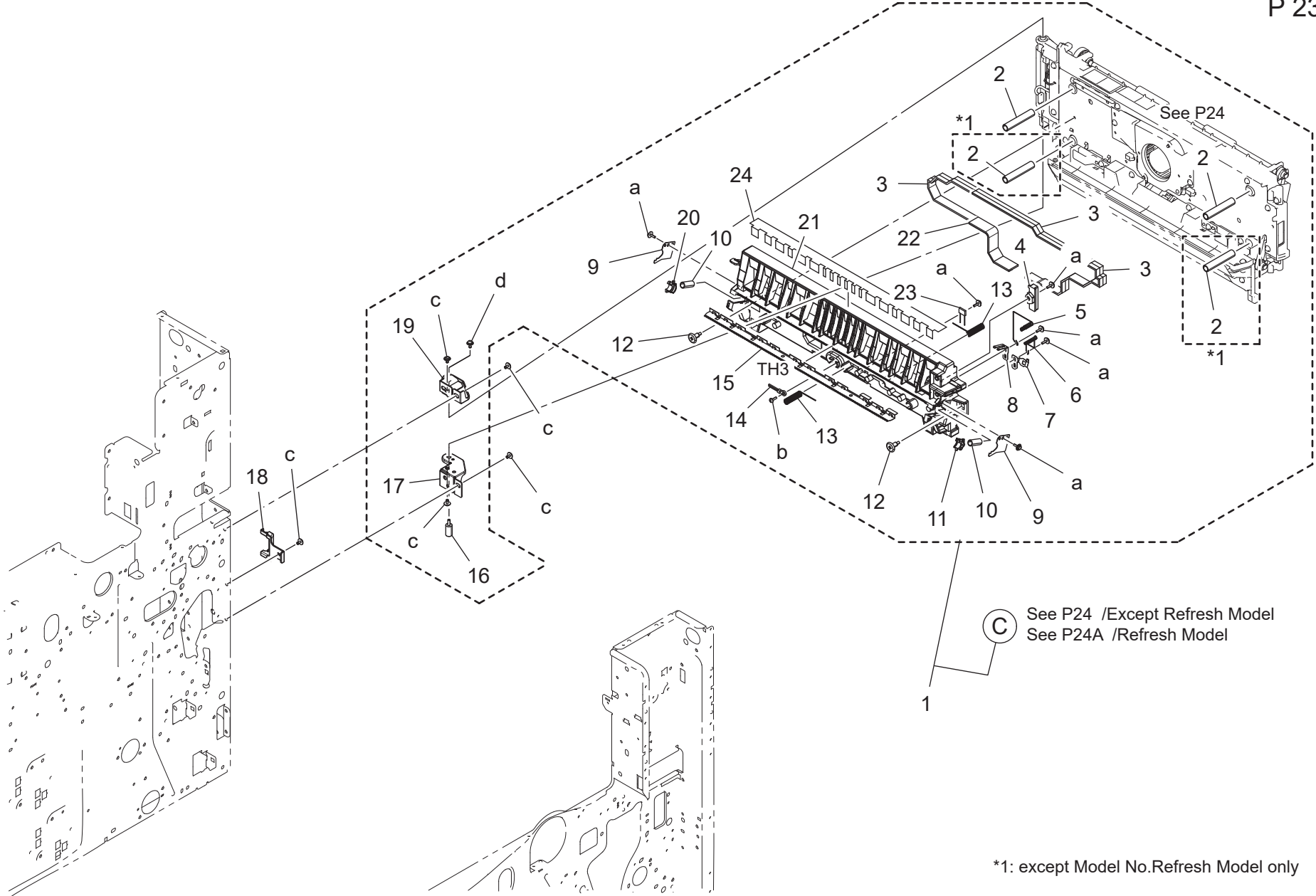
Refresh Model only



B
See P21-1

| Key | Part No. | Description | Destinations | Class | QTY | Standard parts |
|-----|------------|---|--|-------|-----|----------------|
| 1 | A7AH624600 | SHAFT :LIFTING :BOTTOM PLATE :ASSY | 押上げ軸 (Refresh Model) | D | 1 | a-V153030803 |
| 2 | A7AH623602 | Lever | レバー (Refresh Model) | D | 1 | b-V125030803 |
| 3 | A7AH622100 | Ground Spring | アースばね (Refresh Model) | C | 1 | c-V127040603 |
| 4 | A7AH620913 | Regulating Plate /Rear | 規制板/後 (Refresh Model) | C | 1 | d-V143030603 |
| 5 | A161624100 | Cushion | クッション (ガイド) (Refresh Model) | C | 1 | e-V217040001 |
| 6 | A795621301 | Operation Lever | 操作レバー (Refresh Model) | C | 1 | f-V127030604 |
| 7 | A7AH621000 | Pulling Coil spring | 引張りコイルばね (Refresh Model) | C | 1 | |
| 8 | A7AH621200 | Lock Lever | ロックレバー (Refresh Model) | D | 1 | |
| 9 | A161943000 | Label | ラベル (Refresh Model) | C | 1 | |
| 10 | A795620800 | Regulating Plate | 規制板 (Refresh Model) | C | 1 | |
| 11 | A7AH628200 | Shoulder screw | 段ねじ (Refresh Model) | C | 1 | |
| 12 | A161620701 | Gear | ギア (Refresh Model) | D | 1 | |
| 13 | A7AH622401 | Regulating Plate /Rear | 規制板/奥 (Refresh Model) | C | 1 | |
| 14 | A7AH629600 | Guide | ガイド (Refresh Model) | C | 1 | |
| 15 | 4030320601 | LEVER | レバー (Refresh Model) | D | 1 | |
| 16 | A7AH941300 | Label Position | ラベル セット位置 (Refresh Model) | C | 1 | |
| 17 | A795622600 | Auxiliary Guide /2 | 補助ガイド/2 (Refresh Model) | C | 2 | |
| 18 | A795622700 | Compressing Spring | 圧縮ばね (Refresh Model) | C | 3 | |
| 19 | A795622500 | Auxiliary Guide /1 | 補助ガイド/1 (Refresh Model) | C | 1 | |
| 20 | 4163529301 | SCREW | ねじ (Refresh Model) | C | 2 | |
| 21 | A7AH621401 | Lever | レバー (Refresh Model) | D | 1 | |
| 22 | A7AH621801 | Plate spring | 板ばね (Refresh Model) | D | 1 | |
| 23 | A7AH620400 | Lifting Plate | 押上げ板 (Refresh Model) | D | 1 | |
| 24 | A7AH627000 | Separating Sheet | 分離シート (Refresh Model) | C | 1 | |
| 25 | A7AH622201 | Detecting Plate | 検出板 (Refresh Model) | D | 1 | |
| 26 | A7AH624500 | LEVER : PAPER SIZE : CD dir : CASSE TTE | レバー (CD サイズ) (Refresh Model) | D | 1 | |
| 27 | A7AH620500 | ADJUSTING PLATE : SIDE FENCE : CASS ETTE | 調整板 (CD 規制) (Refresh Model) | D | 1 | |
| 28 | A7AH623700 | Pulling Coil spring | 引張りコイルばね (Refresh Model) | C | 1 | |
| 29 | A7AH622600 | Mounting Plate | 取付板 (サイズ検知) (Refresh Model) | D | 1 | |
| 30 | A7AH622700 | Adjusting Plate | 調整板 (サイズ検知) (Refresh Model) | D | 1 | |
| 31 | A795565900 | Compressing Spring | 圧縮ばね (Refresh Model) | C | 1 | |
| 32 | A795565700 | Holder | ホルダ (Refresh Model) | C | 1 | |
| 33 | A795565800 | Lever | レバー (Refresh Model) | C | 1 | |
| 34 | A7AH635000 | BASE : END FENCE : CASSETTE | 規制板 (後端) (Refresh Model) | D | 1 | |
| 35 | A795565500 | Compressing Spring | 圧縮ばね (Refresh Model) | C | 2 | |
| 36 | A7AH635100 | STOPPER : END FENCE : FRONT | ストッパ/前 (Refresh Model) | D | 1 | |
| 37 | A7AH635400 | LEVER : END FENCE : CASSETTE | レバー (FD 規制) (Refresh Model) | D | 1 | |
| 38 | A7AH635300 | COVER : END FENCE : CASSETTE | カバー (FD 規制) (Refresh Model) | D | 1 | |
| 39 | A7AH635200 | STOPPER : END FENCE : REAR | ストッパ/後 (Refresh Model) | D | 1 | |
| 40 | A795566000 | Cushion | クッション (Refresh Model) | C | 1 | |
| 41 | AA2J943701 | Label | ラベル (積載量) (Refresh Model) | D | 1 | |
| 42 | A7AH943501 | Label | ラベル (カセット・FD スケール1) (Refresh Model) | C | 1 | |
| 43 | A7AH943401 | Label | ラベル (カセット・CD スケール1) (Refresh Model) | C | 1 | |
| 44 | A7AH943602 | Label | ラベル (カセット・FD スケール2) (Refresh Model) | C | 1 | |
| | | | | | | |
| | | | | | | |

VERTICAL TRANSPORT SECTION



See P24 /Except Refresh Model
See P24A /Refresh Model

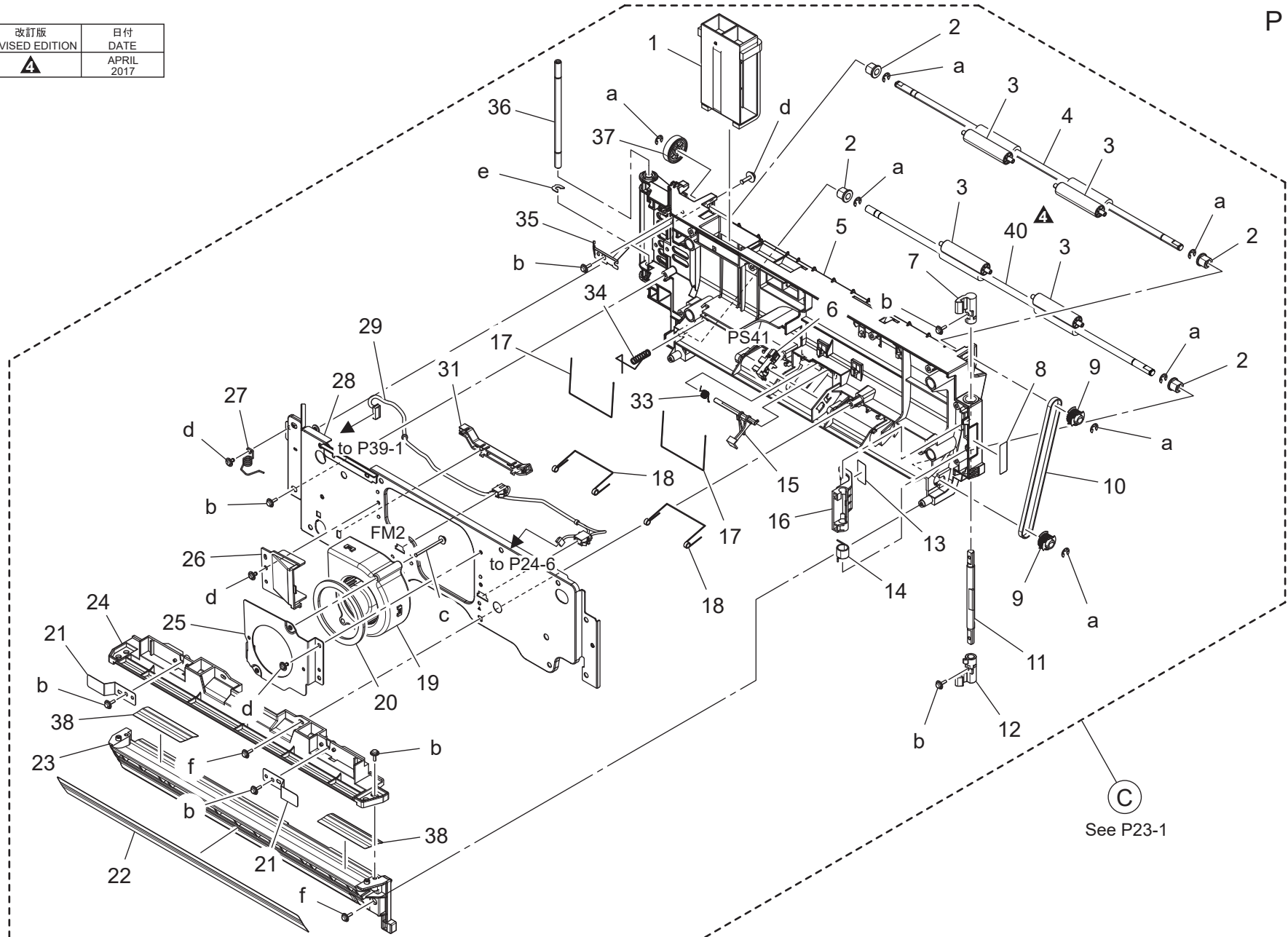
*1: except Model No.Refresh Model only

VERTICAL TRANSPORT SECTION

| Key | Part No. | Description | Destinations | Class | QTY | Standard parts |
|-----|---------------|-------------------------|------------------------|-------|-----|--|
| 1 | A7AHR71900Old | Vertical Transport Assy | | S | 1 | a-V153030803 b-V145030803 c-V144030603 d-V125030803 |
| 1 | A7AHR71911 | Vertical Transport Assy | (Except Refresh Model) | S | 1 | |
| 1 | A7AHPP3700 | Vertical Transport Assy | (Refresh Model) | S | 1 | |
| 2 | A7AH707700 | Compressing Spring | (Except Refresh Model) | D | 4 | |
| 2 | A7AHPP7000 | Compressing Coil spring | (Refresh Model) | C | 2 | |
| 3 | A7AH708200 | Seal | | D | 3 | |
| 4 | A7AH704500 | Holder | | D | 1 | |
| 5 | A7AH704400 | Contact | | D | 1 | |
| 6 | A7AH703600 | Contact | | D | 1 | |
| 7 | A7AH700401 | Contact | | D | 1 | |
| 8 | A7AH700500 | Contact | | D | 1 | |
| 9 | A7AH707600 | Reinforce Plate | | D | 2 | |
| 10 | 4030420701 | PRESSURE SPRING | | C | 2 | |
| 11 | A7AH703401 | Holder | | C | 1 | |
| 12 | A7AH708800 | Shoulder screw | | C | 2 | |
| 13 | A7AH701901 | Compressing Coil spring | | D | 2 | |
| 14 | 9372271022 | THERMISTOR | | B | 1 | |
| 15 | 1164420204 | NEUTRALIZING NEEDLE | | D | 1 | |
| 16 | A7AH817700 | Shoulder screw | | D | 1 | |
| 17 | A7AH816701 | Mounting Plate | (Except Refresh Model) | D | 1 | |
| 17 | A7AHPP9100 | Mounting Plate | (Refresh Model) | D | 1 | |
| 18 | A7AH817000 | Cover | | D | 1 | |
| 19 | A7AH816300 | Mounting Plate | (Except Refresh Model) | D | 1 | |
| 19 | A7AHPP9000 | Mounting Plate | (Refresh Model) | D | 1 | |
| 20 | A7AH703500 | Holder | | C | 1 | |
| 21 | A7AH700101 | Conveyance Holder | (Except Refresh Model) | D | 1 | |
| 21 | A7AHPP7100 | Guide | (Refresh Model) | D | 1 | |
| 22 | A7AH708500 | Seal | | D | 1 | |
| 23 | V800500300 | FIXED POWER RESISTORS | | D | 1 | |
| 24 | A7AH709900 | Guide Sheet | | C | 1 | |
| | | | | | | |
| | | | | | | |
| | | | | | | |
| | | | | | | |

VERTICAL TRANSPORT SECTION

| | |
|---|---------------|
| 改訂版 REVISED EDITION | 日付 DATE |
|  | APRIL 2017 |

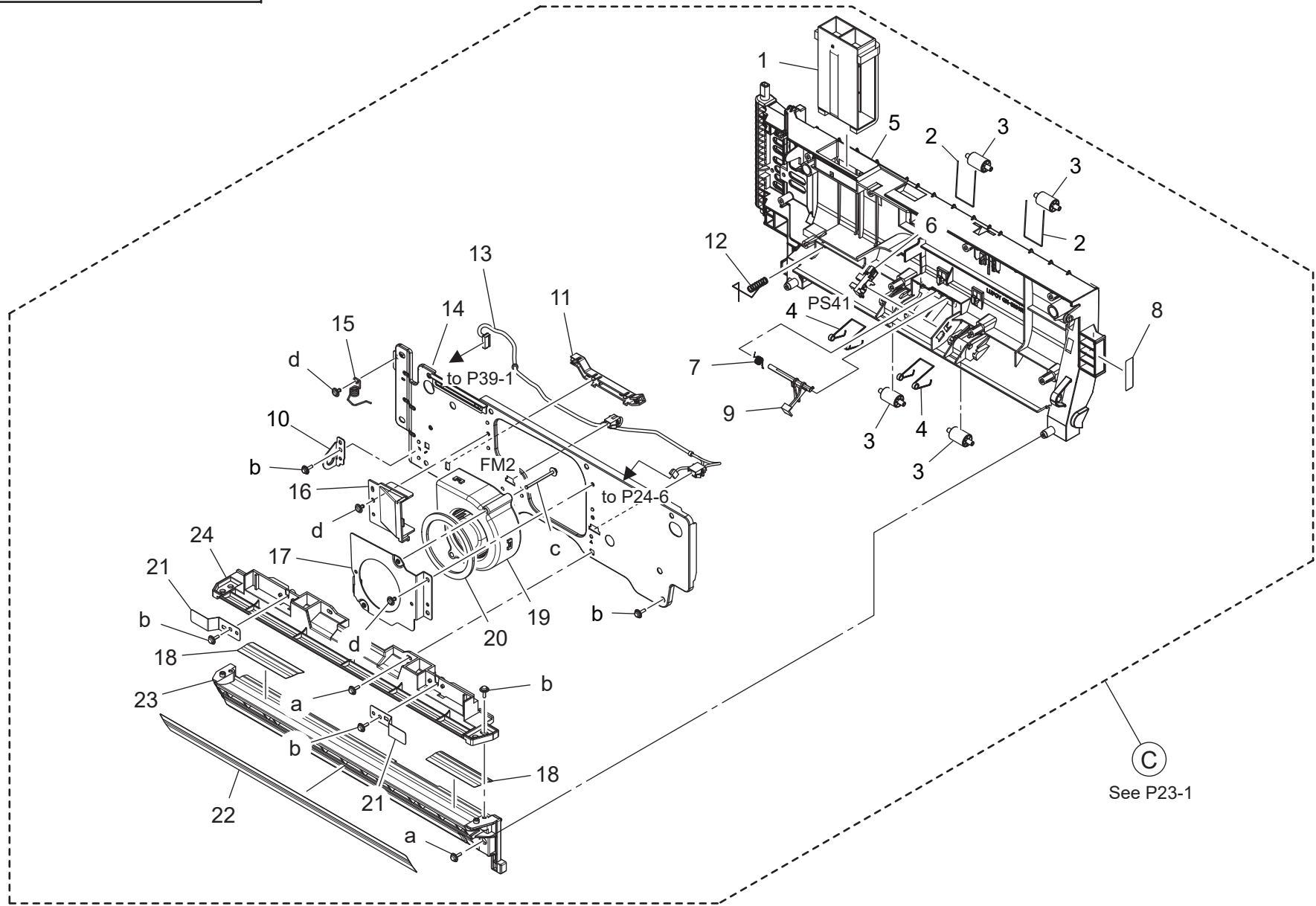


| Key | Part No. | Description | Destinations | Class | QTY | Standard parts |
|-----|---------------|----------------------|--------------|-------|-----|--|
| 1 | A7AHR72000 | Ozone filter | | A | 1 | a-V217040001 b-V153030803 c-V116033503 d-V144030603 e-V218040086 f-V153031003 |
| 2 | A02E815200 | BUSHING | | C | 4 | |
| 3 | A161825700 | Idler Roller /A | | D | 4 | |
| 4 | A7AH816500 | Roller | | C | 1 | |
| 5 | A7AH816002Old | Guide | | D | 1 | |
| 5 | A7AH816013 | Guide | | D | 1 | |
| 6 | A5C1M50100 | Photointerrupter | | B | 1 | |
| 7 | A161711300 | Lock Shaft /A | | C | 1 | |
| 8 | A7AH944100 | Label M2 | | C | 1 | |
| 9 | A0ED811700 | Pulley 22T | | C | 2 | |
| 10 | A7AH817301 | Belt 296L | | C | 1 | |
| 11 | A7AH701000 | Shaft | | D | 1 | |
| 12 | A161711500 | Lock Shaft /C | | C | 1 | |
| 13 | A7AH944000 | Label M1 | | C | 1 | |
| 14 | A7AH701100 | Spring | | C | 1 | |
| 15 | A7AH813500 | Actuator | | C | 1 | |
| 16 | A7AH700901 | Handle | | C | 1 | |
| 17 | A161714600 | Conveyance Spring /B | | D | 2 | |
| 18 | A7AH812901 | Spring | | D | 2 | |
| 19 | 9313130051 | FAN MOTOR | | B | 1 | |
| 20 | A7AH819100 | Seal | | C | 1 | |
| 21 | A0ED702400 | Plate spring | | D | 2 | |
| 22 | A7AH818100 | Guide Sheet | | C | 1 | |
| 23 | A7AH818000 | Guide | | D | 1 | |
| 24 | A7AH818200 | Guide | | D | 1 | |
| 25 | A7AH819000 | Mounting Plate | | D | 1 | |
| 26 | A7AH819200 | Duct | | D | 1 | |
| 27 | A7AH817101 | Ground Spring | | C | 1 | |
| 28 | A7AH816604Old | Reinforce Plate | | D | 1 | |
| 28 | A7AH816615 | Reinforce Plate | | D | 1 | |
| 29 | A7AHN13000 | Harness /Conveyance | | D | 1 | |
| 31 | A7AH819502 | Cover | | D | 1 | |
| 33 | A7AH812800 | Torsion Coil spring | | C | 1 | |
| 34 | A7AH816200 | Ground Spring | | D | 1 | |
| 35 | A7AH816100 | Ground Plate | | D | 1 | |
| 36 | A7AH816400 | Support Shaft | | D | 1 | |
| 37 | A7AH817200 | Gear | | C | 1 | |
| 38 | A7AH818300 | Guide | | C | 2 | |
| 40 | A7AH818500 | Roller | | D | 1 | |
| | | | | | | |
| | | | | | | |
| | | | | | | |

VERTICAL TRANSPORT SECTION

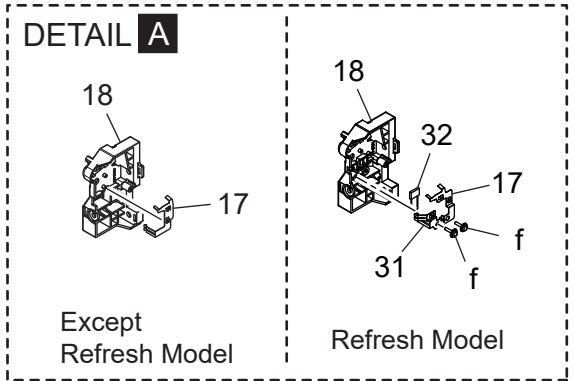
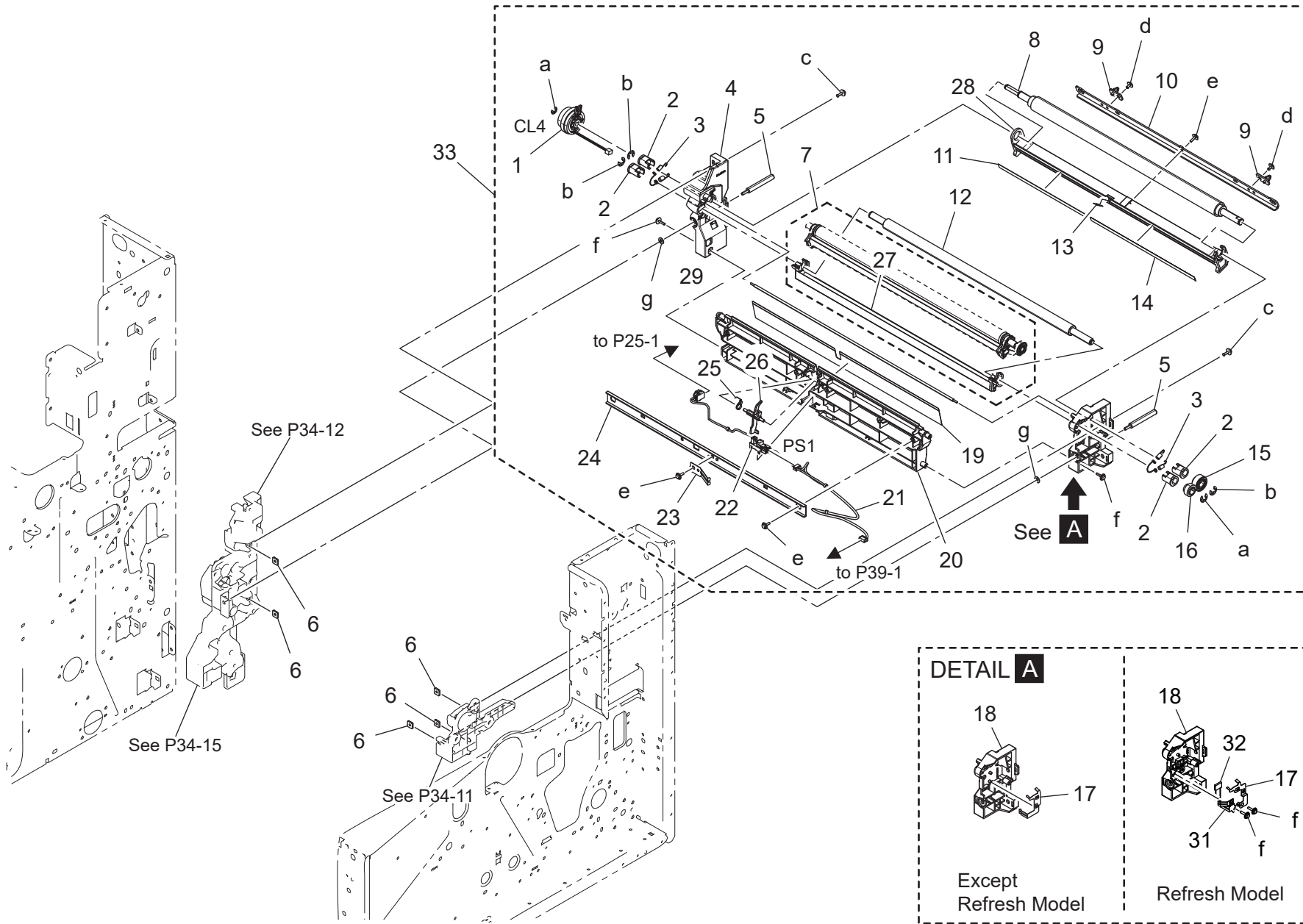
Refresh Model only

P 24A



| Key | Part No. | Description | Destinations | Class | QTY | Standard parts |
|-----|------------|-------------------------|-----------------|-------|-----|--|
| 1 | A7AHR72000 | Ozone filter | (Refresh Model) | A | 1 | a-V153031003 b-V153030803 c-V116033503 d-V144030603 |
| 2 | A7AHP7500 | Spring | (Refresh Model) | D | 2 | |
| 3 | A7AHP7400 | Roll | (Refresh Model) | C | 4 | |
| 4 | A7AHP7600 | Torsion Coil spring | (Refresh Model) | C | 2 | |
| 5 | A7AHP9400 | Guide | (Refresh Model) | D | 1 | |
| 6 | A5C1M50100 | Photointerrupter | (Refresh Model) | B | 1 | |
| 7 | A7AH812800 | Torsion Coil spring | (Refresh Model) | C | 1 | |
| 8 | A7AH944100 | Label M2 | (Refresh Model) | C | 1 | |
| 9 | A7AH813500 | Actuator | (Refresh Model) | C | 1 | |
| 10 | A7AHP9300 | Mounting Plate | (Refresh Model) | D | 1 | |
| 11 | A7AH819502 | Cover | (Refresh Model) | D | 1 | |
| 12 | A7AHP7800 | Compressing Coil spring | (Refresh Model) | C | 1 | |
| 13 | A7AHN13000 | Harness /Conveyance | (Refresh Model) | D | 1 | |
| 14 | A7AHP9200 | Guide Plate | (Refresh Model) | D | 1 | |
| 15 | A7AH817101 | Ground Spring | (Refresh Model) | C | 1 | |
| 16 | A7AH819200 | Duct | (Refresh Model) | D | 1 | |
| 17 | A7AH819000 | Mounting Plate | (Refresh Model) | D | 1 | |
| 18 | A7AH818300 | Guide | (Refresh Model) | C | 2 | |
| 19 | 9313130051 | FAN MOTOR | (Refresh Model) | B | 1 | |
| 20 | A7AH819100 | Seal | (Refresh Model) | C | 1 | |
| 21 | A0ED702400 | Plate spring | (Refresh Model) | D | 2 | |
| 22 | A7AH818100 | Guide Sheet | (Refresh Model) | C | 1 | |
| 23 | A7AH818000 | Guide | (Refresh Model) | D | 1 | |
| 24 | A7AH818200 | Guide | (Refresh Model) | D | 1 | |
| | | | | | | |
| | | | | | | |
| | | | | | | |
| | | | | | | |
| | | | | | | |
| | | | | | | |
| | | | | | | |
| | | | | | | |

REGISTRATION SECTION

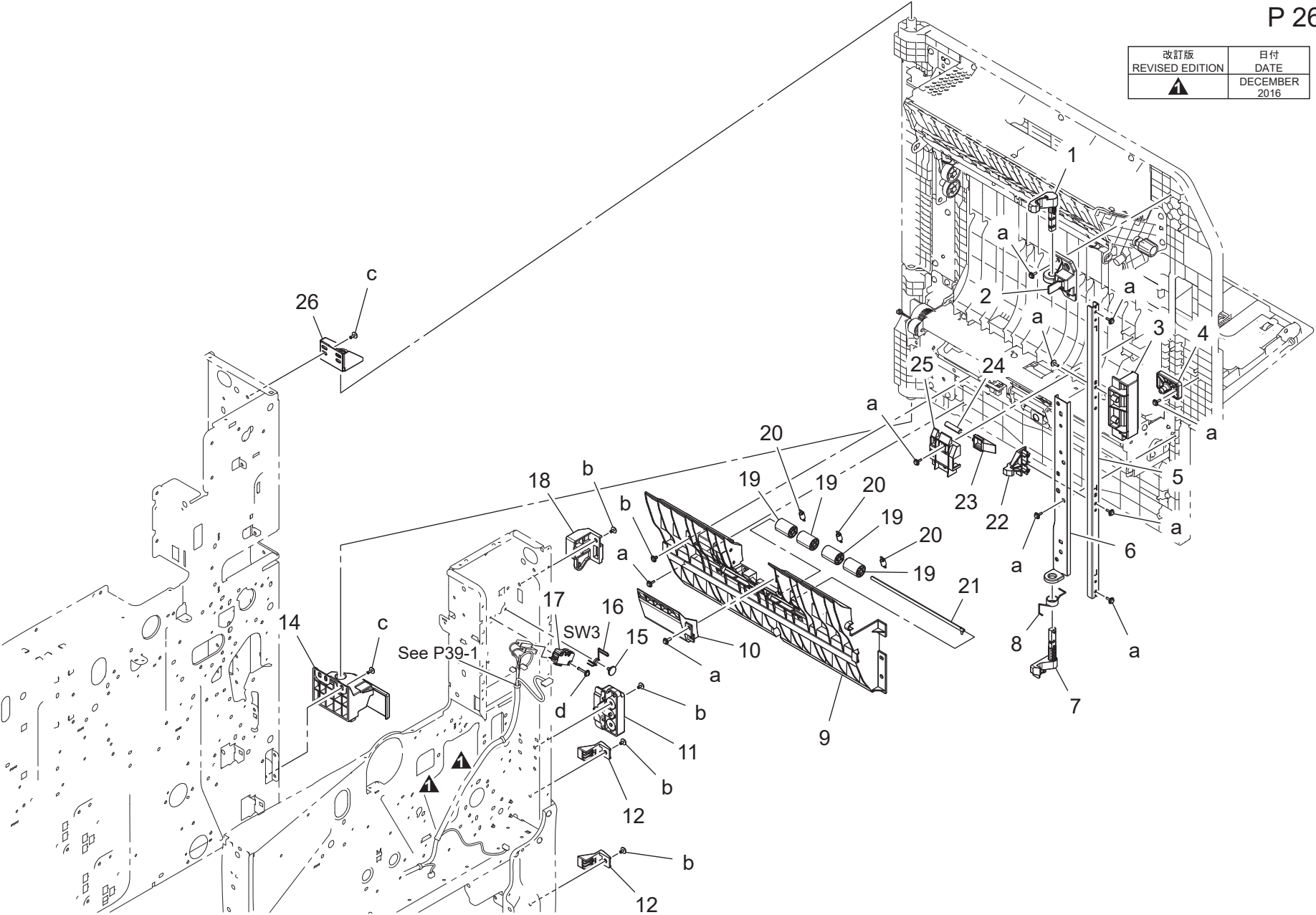


REGISTRATION SECTION

| Key | Part No. | Description | Destinations | Class | QTY | Standard parts |
|-----|------------|-----------------------------|--------------|-------|-----|--|
| 1 | A02EM20200 | Clutch | | B | 1 | a-V217040001 b-V217050001 c-V116031003 d-V144030803 e-V153030803 f-V153031003 g-V211030080 |
| 2 | A7AH703201 | Bushing | | B | 4 | |
| 3 | A7AH703301 | Registration Spring | | C | 2 | |
| 4 | A7AH706902 | Holder | | D | 1 | |
| 5 | A7AH708900 | Mounting Screw | | C | 2 | |
| 6 | 4002504202 | PLATE NUT | | D | 5 | |
| 7 | A7AHR72900 | Image Transfer Roller Kit | | A | 1 | |
| 8 | A7AH703001 | Registration Roller | | C | 1 | |
| 9 | A7AH708600 | Lever | | D | 2 | |
| 10 | A7AH708700 | Reinforce Plate | | D | 1 | |
| 11 | 4038353701 | GUIDE | | C | 1 | (Except Refresh Model) (Refresh Model) |
| 12 | A7AH703101 | Registration Roller | | C | 1 | |
| 12 | A7AHPB600 | Registration Roller | | D | 1 | |
| 13 | 4038353901 | GUIDE | | C | 1 | |
| 14 | A0ED700600 | Guide Sheet | | D | 1 | |
| 15 | A7AH707500 | Gear 18T | | B | 1 | |
| 16 | 1164351501 | GEAR 13T | | B | 1 | |
| 17 | A7AH702200 | Ground Plate | | D | 1 | |
| 17 | A7AHP7300 | Ground Plate | | D | 1 | |
| 18 | A7AH707403 | Holder | | D | 1 | |
| 18 | A7AHP7200 | Holder | | D | 1 | |
| 19 | A7AH704101 | Guide Sheet /Inside | | C | 1 | |
| 20 | A7AH702002 | Registration Guide /Inside | | D | 1 | |
| 21 | A7AHN12400 | Harness /Conveyance | | D | 1 | |
| 22 | A5C1M50100 | Photointerrupter | | B | 1 | |
| 23 | A7AH708100 | Ground Contact | | D | 1 | |
| 24 | A7AH707300 | Reinforce Plate | | D | 1 | |
| 25 | A161701100 | Spring /A | | C | 1 | |
| 26 | A7AH701700 | Registration Actuator | | C | 1 | |
| 27 | A7AHR72100 | Paper Powder Removal Assy | | C | 1 | |
| 28 | A7AH702101 | Registration Guide /Outside | | D | 1 | (Refresh Model) (Refresh Model) (Except Refresh Model) |
| 29 | A7AH709200 | Shaft | | D | 1 | |
| 31 | A7AHPB700 | Ground Plate | | D | 1 | |
| 32 | V800500300 | FIXED POWER RESISTORS | | D | 1 | |
| 33 | A7AHR74011 | Registration Assy | | D | 1 | |
| 33 | A7AHR74111 | Registration Assy (R) | | D | 1 | |
| | | | | | | |
| | | | | | | |

VERTICAL CONVEYANCE DOOR SECTION


| | |
|------------------------|------------------|
| 改訂版 REVISED EDITION | 日付 DATE |
| ▲ | DECEMBER 2016 |



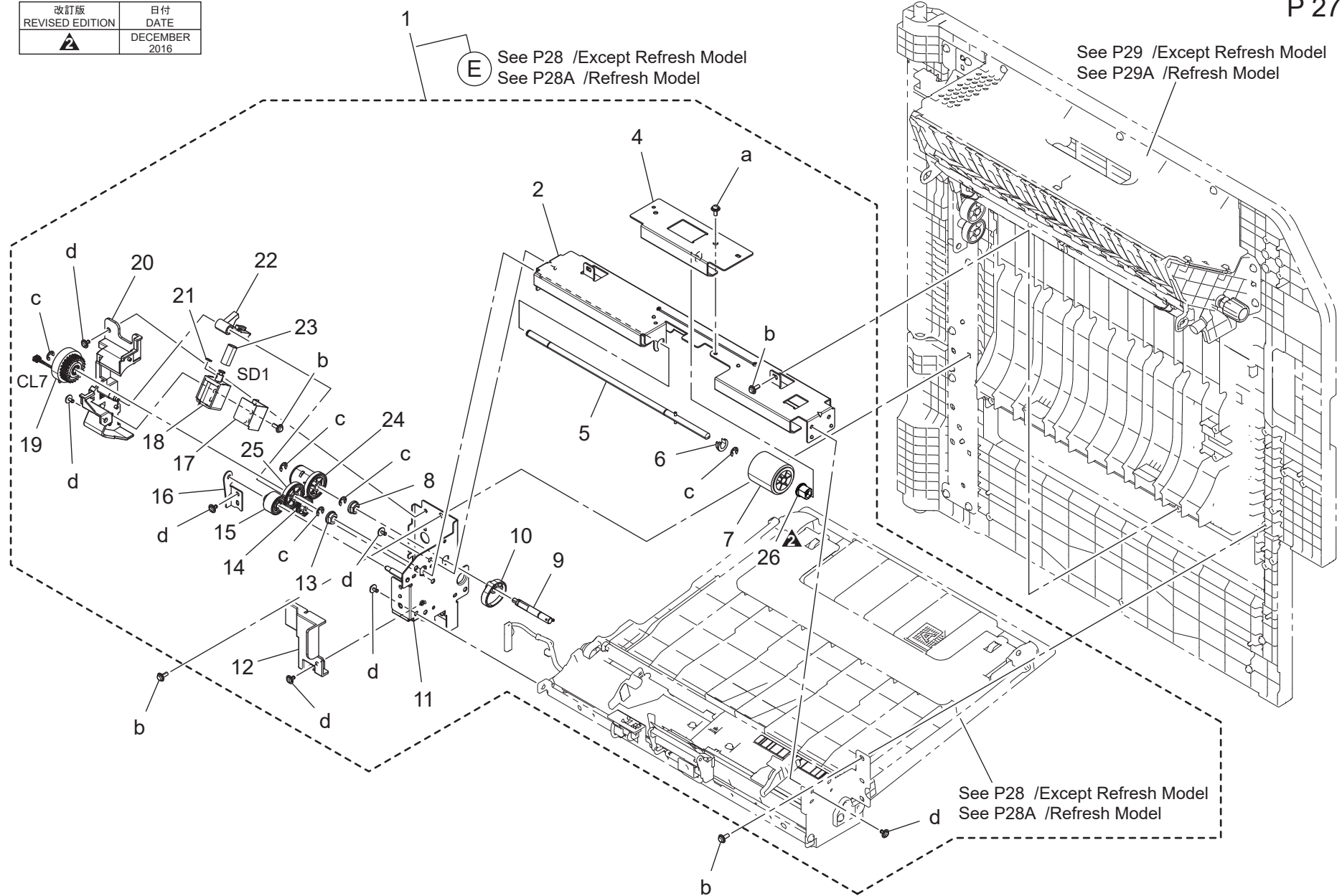
VERTICAL CONVEYANCE DOOR SECTION

| Key | Part No. | Description | Destinations | Class | QTY | Standard parts |
|-----|------------|---------------------|--------------------|-------|-----|--|
| 1 | A0ED712100 | Lock Claw | | C | 1 | a-V153030803 b-V144030603 c-V144030803 d-V116031603 |
| 2 | A7AH705201 | Sensor Lever | ロック爪 (上) センサレバー | C | 1 | |
| 3 | A7AH706700 | Open/close Handle | 開閉取手 | C | 1 | |
| 4 | A7AH705301 | Pin | ピン | D | 1 | |
| 5 | A7AH706000 | Lock Plate | ロック板 | D | 1 | |
| 6 | A7AH705700 | Reinforce Plate | 補強板 | D | 1 | |
| 7 | A7AH706500 | Lock Claw /Lower | ロック爪/下 | C | 1 | |
| 8 | A161815900 | Torsion Coil spring | ねじりコイルばね | C | 1 | |
| 9 | A7AH705401 | Paper feed Guide | 給紙ガイド | D | 1 | |
| 10 | A7AH600700 | Paper feed Guide | 給紙ガイド | D | 1 | |
| 11 | A7AH706300 | Positioning Part | 位置決め部材 | D | 1 | |
| 12 | A7AH706400 | Holder | ホルダ | D | 2 | |
| 14 | A7AH706201 | Holder | ホルダ | D | 1 | |
| 15 | A161137100 | Shoulder screw | 段ねじ | D | 1 | |
| 16 | A161151200 | Torsion Coil spring | ねじりコイルばね | D | 1 | |
| 17 | 9J06M60100 | MICRO SWITCH | マイクロスイッチ | C | 1 | |
| 18 | A7AH705502 | Holder | ホルダ | D | 1 | |
| 19 | A161815400 | Roll | ころ | C | 4 | |
| 20 | A64J815500 | Pulling Spring | 引張りばね | C | 3 | |
| 21 | A161815300 | Shaft | 軸 | D | 1 | |
| 22 | A7AH706600 | Lock Claw /Middle | ロック爪/中 | C | 1 | |
| 23 | A7AH705800 | Open/close Claw | 開閉爪 | D | 1 | |
| 24 | A161815800 | Swing Spring | 揺動ばね | C | 1 | |
| 25 | A7AH705900 | Holder | ホルダ | D | 1 | |
| 26 | A7AH706101 | Adjusting Plate | 調整板 | D | 1 | |
| | | | | | | |
| | | | | | | |
| | | | | | | |
| | | | | | | |
| | | | | | | |
| | | | | | | |
| | | | | | | |
| | | | | | | |

BYPASS TRAY SECTION

| | |
|---|------------------|
| 改訂版 REVISED EDITION | 日付 DATE |
|  | DECEMBER 2016 |

P 27

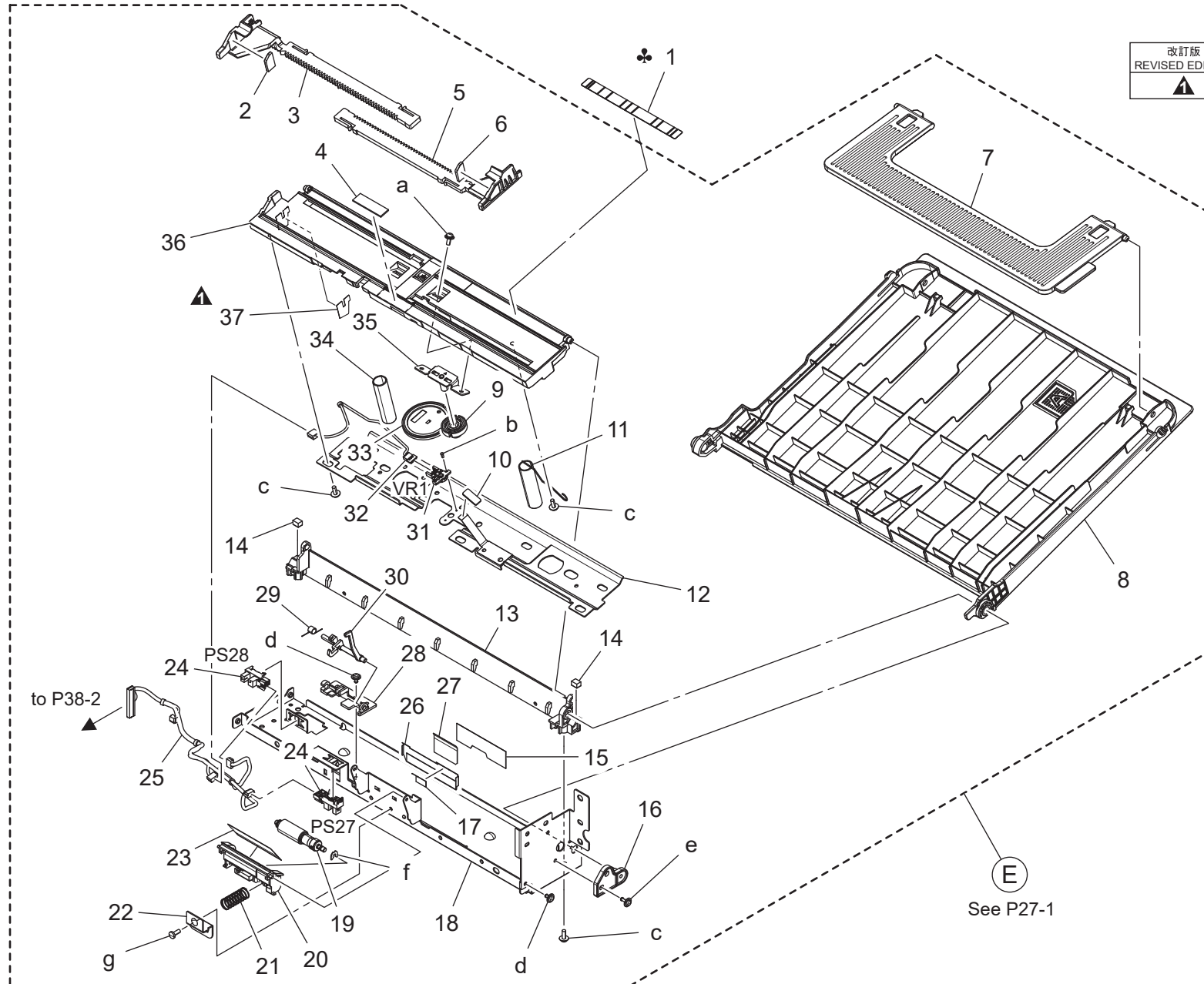


BYPASS TRAY SECTION

| Key | Part No. | Description | Destinations | Class | QTY | Standard parts | |
|-----|------------|---------------------------|---------------|---|-----|----------------|--|
| 1 | A7AHR71611 | Multiple Bypass Tray Assy | 手差し A s s y | A,A1,B,D1,D3,E,F2,G1,G2,H,I,J,K(Except Refresh Model) | S | 1 | a-V116030804 b-V153030803 c-V217040001 d-V144030603 |
| 1 | A7AHP3602 | Multiple Bypass Tray Assy | 手差し A s s y | A,A1,B,D1,D3,E,F2,G1,G2,H,I,J,K(Refresh Model) | S | 1 | |
| 1 | A7AHR71611 | Multiple Bypass Tray Assy | 手差し A s s y | C(Except Refresh Model) | S | 1 | |
| 1 | A7AHP3602 | Multiple Bypass Tray Assy | 手差し A s s y | C(Refresh Model) | S | 1 | |
| 2 | A7AH600400 | Mounting Plate | 取付板 | (Except Refresh Model) | D | 1 | |
| 2 | A797603000 | Mounting Plate | 取付板 | (Refresh Model) | D | 1 | |
| 4 | A7AH600300 | Holder | ホルダ | | D | 1 | |
| 5 | A7AH601100 | Paper feed Shaft | 給紙軸 | | D | 1 | |
| 6 | A161594400 | Slide Stopper | スライドストッパ | | C | 1 | |
| 7 | A00F623201 | Roller | ローラ (給紙) | | B | 1 | |
| 8 | A02E596300 | Bushing | すべり軸受 | | C | 1 | |
| 9 | A7AH602701 | Shaft | 軸 | | D | 1 | |
| 10 | A161593300 | Paper feed Cam | 給紙カム | | C | 1 | |
| 11 | A7AH600504 | Drive Frame | 駆動フレーム | | D | 1 | |
| 12 | A7AH605100 | Bypass Cover | 手差しカバー | | D | 1 | |
| 13 | 1134304301 | BUSHING | 軸受 | | C | 1 | |
| 14 | A7AH603000 | Gear 20T | ギア 20 T | | C | 1 | |
| 15 | A7AH602200 | Bypass Gear | 手差しギア | | C | 1 | |
| 16 | A7AH604101 | Reinforce Plate | 補強板 | | D | 1 | |
| 17 | A7AH604300 | Cover | カバー | | D | 1 | |
| 18 | A034M20100 | Conveyance Solenoid | 搬送ソレノイド | | C | 1 | |
| 19 | A7AHM20401 | Clutch | クラッチ (Z = 24) | | C | 1 | |
| 20 | A7AH600801 | Drive Cover | 駆動カバー | | D | 1 | |
| 21 | A7AH604900 | Seal | シール | | C | 1 | |
| 22 | A7AH603100 | Lever | レバー | | C | 1 | |
| 23 | A7AH603200 | Compressing Coil spring | 圧縮コイルばね | | C | 1 | |
| 24 | A7AHR72711 | Clutch Assy | クラッチ A s s y | | C | 1 | |
| 25 | A7AH604700 | Gear 24T | ギヤ 24 T | | C | 1 | |
| 26 | A02E815200 | BUSHING | 軸受 | | C | 1 | |
| | | | | | | | |
| | | | | | | | |
| | | | | | | | |
| | | | | | | | |

BYPASS TRAY SECTION

| | |
|------------------------|-----------------|
| 改訂版 REVISED EDITION | 日付 DATE |
| ▲ | JANUARY 2018 |




BYPASS TRAY SECTION

| Key | Part No. | Description | Destinations | Class | QTY | Standard parts | |
|-----|------------|--------------------------|--------------|----------------------------------|-----|----------------|--|
| 1 | A7AH943100 | Label Metric | ラベル メトリック | A,A1,C,D1,D3,E,F2,G 1,I,K,J,H | C | 1 | a-V116030804 b-V111170403 c-V153030803 d-V144030603 e-V144030803 f-V218030086 g-V118030803 |
| 1 | A7AH943200 | Label Inch | ラベル インチ | B,G2 | C | 1 | |
| 2 | A7AH604501 | Brake Part | ブレーキ材 | | C | 1 | |
| 3 | A7AH601901 | Regulating Plate /R | 規制板 / R | | C | 1 | |
| 4 | 0978381113 | FRICTION SHEET | 摩擦板 | | C | 1 | |
| 5 | A7AH602001 | Regulating Plate /L | 規制板 / L | | C | 1 | |
| 6 | A7AH604401 | Brake Part /F | ブレーキ材 / F | | C | 1 | |
| 7 | A161592200 | Auxiliary Tray | 補助トレイ | | C | 1 | |
| 8 | A7AH600102 | Tray | トレイ | | C | 1 | |
| 9 | A02E592100 | Gear 20T | ギヤ 20 T | | C | 1 | |
| 10 | A161593800 | Friction Plate | 摩擦板 | | C | 1 | |
| 11 | A7AH603300 | Compressing Coil spring | 圧縮コイルばね | | C | 1 | |
| 12 | A7AH601700 | Mounting Plate | 取付板 | | D | 1 | |
| 13 | A7AH604204 | Support Holder | 支点ホルダ | | C | 1 | |
| 14 | A161594201 | Cushion | クッション | | D | 2 | |
| 15 | A161595100 | Seal | シール | | C | 1 | |
| 16 | A161591600 | Hold Plate | 保持板 | | C | 1 | |
| 17 | A161595600 | Slide Guide | すべりガイド | | C | 1 | |
| 18 | A7AH600601 | Frame | フレーム | | D | 1 | |
| 19 | 4658015106 | Roller Assy | ローラ ASSY | | A | 1 | |
| 20 | A7AH601300 | Holding | ホルダ | | C | 1 | |
| 21 | 4030347501 | PRESSURE SPRING | 圧縮コイルばね | | C | 1 | |
| 22 | A7AH601400 | Hold Plate | 保持板 | | D | 1 | |
| 23 | A02E597600 | Guide | ガイド (捌き後) | | C | 1 | |
| 24 | A5C1M50100 | Photointerrupter | 透過型センサ | | B | 2 | |
| 25 | A7AHN11901 | Harness /Paper feed | 給紙束線 | | D | 1 | |
| 26 | A161595300 | Separating Plate | 分離板 | | C | 1 | |
| 27 | 4030340301 | GUIDE | ガイド | | C | 1 | |
| 28 | A161591100 | Sensor Holder | センサホルダ | | D | 1 | |
| 29 | A161591000 | Torsion Spring | ねじりばね (PE) | | C | 1 | |
| 30 | A7AH601202 | Actuator | アクチュエータ | | C | 1 | |
| 31 | A161M50400 | VR | ボリューム | | D | 1 | |
| 32 | A7AHN13200 | Harness /Paper Detection | 給紙検知束線 | | D | 1 | |
| 33 | A161594300 | Regulating Gear 41T | 規制ギア 41 T | | C | 1 | |
| 34 | A7AH603400 | Compressing Coil spring | 圧縮コイルばね | | C | 1 | |
| 35 | A7AHR71700 | Mounting Plate | 取付板 | | D | 1 | |
| 36 | A7AH600203 | Lifting Plate | 押上げ板 | | D | 1 | |
| 37 | A7AHP00600 | Plate | 検出板 | | D | 1 | |
| | | | | | | | |
| | | | | | | | |
| | | | | | | | |

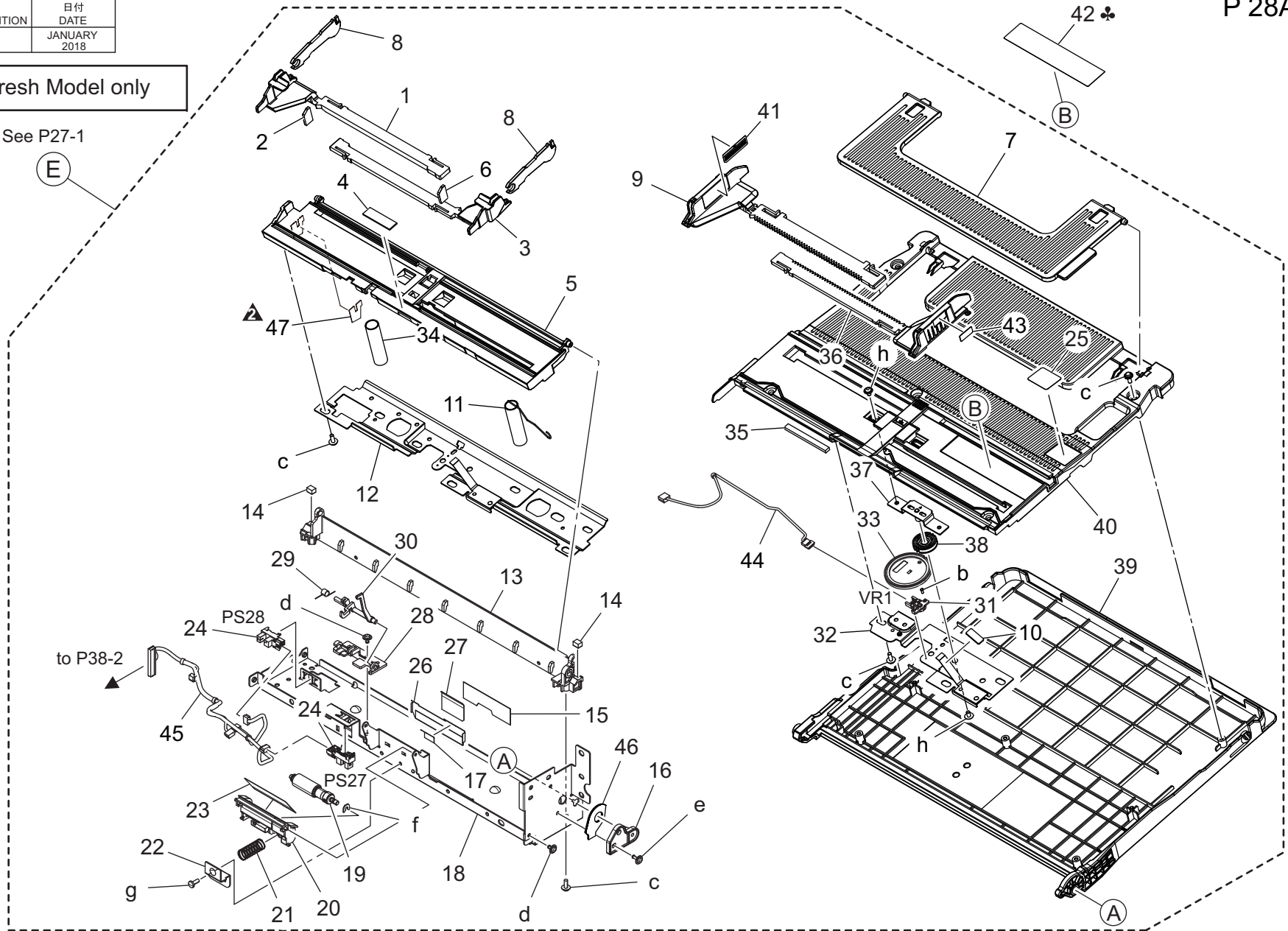
BYPASS TRAY SECTION

P 28A

| | |
|---|-----------------|
| 改訂版 REVISED EDITION | 日付 DATE |
|  | JANUARY 2018 |

Refresh Model only

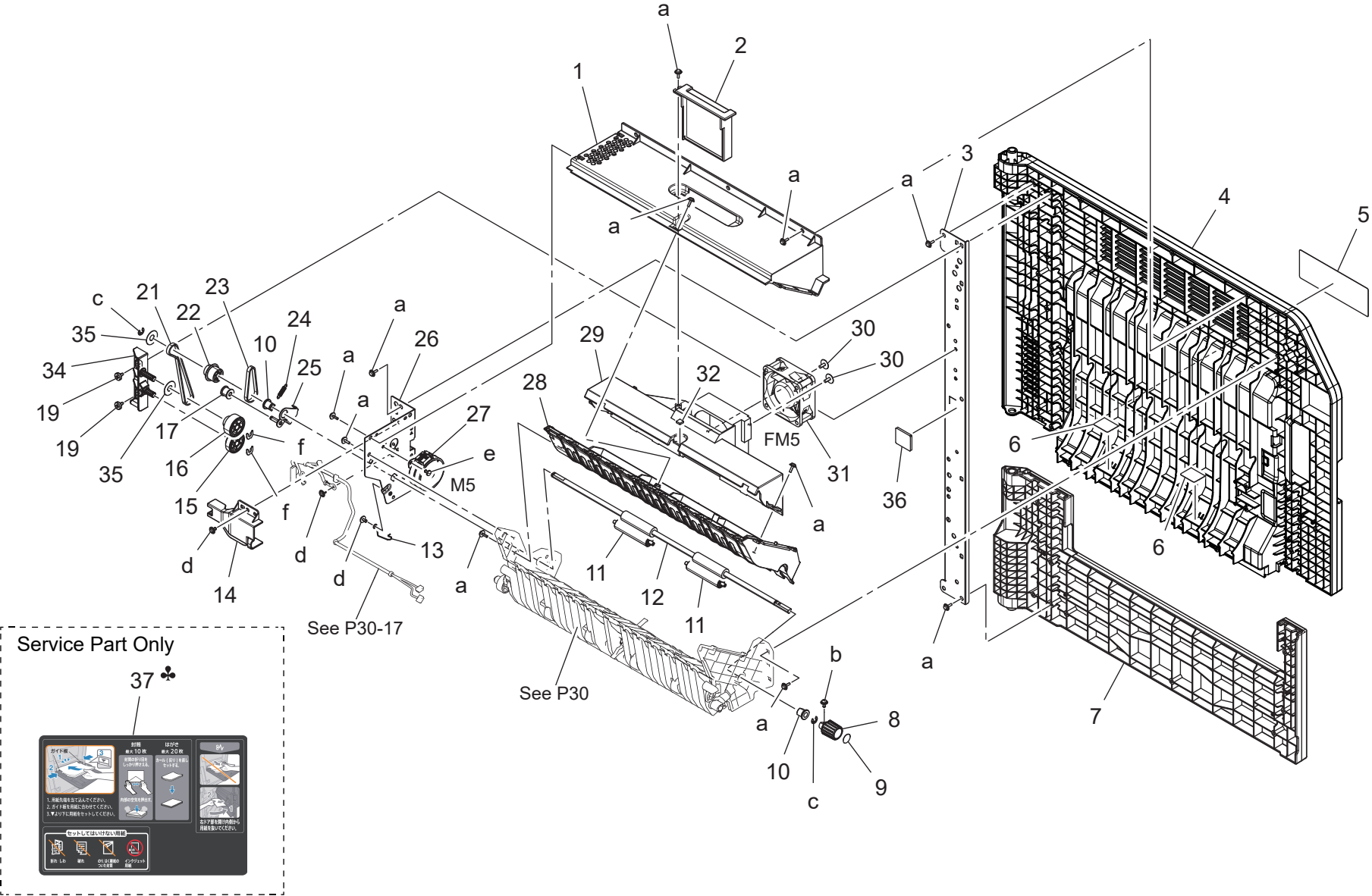
See P27-1



BYPASS TRAY SECTION

| Key | Part No. | Description | Destinations | Class | QTY | Standard parts |
|-----|------------|----------------------------------|--|-------|-----|--|
| 1 | A797603301 | Regulating Plate /R | (Refresh Model) | C | 1 | b-V111170403 c-V153030803 d-V144030603 e-V144030803 f-V218030086 g-V118030803 h-V127030604 |
| 2 | A7AH604501 | Brake Part | (Refresh Model) | C | 1 | |
| 3 | A797603401 | Regulating Plate /L | (Refresh Model) | C | 1 | |
| 4 | 0978381113 | FRICITION SHEET | (Refresh Model) | C | 1 | |
| 5 | A7AHP6900 | Lifting Plate | (Refresh Model) | D | 1 | |
| 6 | A7AH604401 | Brake Part /F | (Refresh Model) | C | 1 | |
| 7 | A161592200 | Auxiliary Tray | (Refresh Model) | C | 1 | |
| 8 | A797603701 | Lever | (Refresh Model) | C | 2 | |
| 9 | A7AH606700 | REAR FENCE : TRAY : MPT | (Refresh Model) | D | 1 | |
| 10 | A161593800 | Friction Plate | (Refresh Model) | C | 1 | |
| 11 | A7AH603300 | Compressing Coil spring | (Refresh Model) | C | 1 | |
| 12 | A797603200 | Mounting Plate | (Refresh Model) | D | 1 | |
| 13 | A7AH604204 | Support Holder | (Refresh Model) | C | 1 | |
| 14 | A161594201 | Cushion | (Refresh Model) | D | 2 | |
| 15 | A161595100 | Seal | (Refresh Model) | C | 1 | |
| 16 | A161591600 | Hold Plate | (Refresh Model) | C | 1 | |
| 17 | A161595600 | Slide Guide | (Refresh Model) | C | 1 | |
| 18 | A7AH600601 | Frame | (Refresh Model) | D | 1 | |
| 19 | 4658015106 | Roller Assy | (Refresh Model) | A | 1 | |
| 20 | A7AH601300 | Holding | (Refresh Model) | C | 1 | |
| 21 | 4030347501 | PRESSURE SPRING | (Refresh Model) | C | 1 | |
| 22 | A7AH601400 | Hold Plate | (Refresh Model) | D | 1 | |
| 23 | A02E597600 | Guide | (Refresh Model) | C | 1 | |
| 24 | A5C1M50100 | Photointerrupter | (Refresh Model) | B | 2 | |
| 25 | A7AH943701 | Label | (Refresh Model) | C | 1 | |
| 26 | A161595300 | Separating Plate | (Refresh Model) | C | 1 | |
| 27 | 4030340301 | GUIDE | (Refresh Model) | C | 1 | |
| 28 | A161591100 | Sensor Holder | (Refresh Model) | D | 1 | |
| 29 | A161591000 | Torsion Spring | (Refresh Model) | C | 1 | |
| 30 | A7AH601202 | Actuator | (Refresh Model) | C | 1 | |
| 31 | A161M50400 | VR | (Refresh Model) | D | 1 | |
| 32 | A7AH606400 | BKT : SENSOR : TRAY : MPT : ASSY | (Refresh Model) | D | 1 | |
| 33 | A161594300 | Regulating Gear 41T | (Refresh Model) | C | 1 | |
| 34 | A7AH603400 | Compressing Coil spring | (Refresh Model) | C | 1 | |
| 35 | A161592600 | Holding Cover /2 | (Refresh Model) | D | 1 | |
| 36 | A7AH606600 | FRONT FENCE : TRAY : MPT | (Refresh Model) | D | 1 | |
| 37 | A7PUF60001 | Mounting Plate | (Refresh Model) | D | 1 | |
| 38 | A7PU593500 | Gear | (Refresh Model) | C | 1 | |
| 39 | A7AH606100 | COVER : TRAY : MPT | (Refresh Model) | C | 1 | |
| 40 | A7AHP6800 | Tray /Upper | (Refresh Model) | C | 1 | |
| 41 | ACM1944500 | Label | (Refresh Model) | D | 1 | |
| 42 | A797944101 | Label Metric | (Refresh Model)A,A1 C,D1,D3,E,F2,G1,I, J,K,H | C | 1 | |
| 42 | A797944201 | Label Inch | (Refresh Model)B,G2 | C | 1 | |
| 43 | A161943000 | Label | (Refresh Model) | C | 1 | |
| 44 | A7AHP6800 | Harness | (Refresh Model) | D | 1 | |
| 45 | A7AHP6800 | Harness | (Refresh Model) | D | 1 | |
| 46 | A7AHP6800 | Cushion | (Refresh Model) | C | 1 | |
| 47 | A7AHP00600 | Plate | (Refresh Model) | D | 1 | |

REVERSAL SECTION

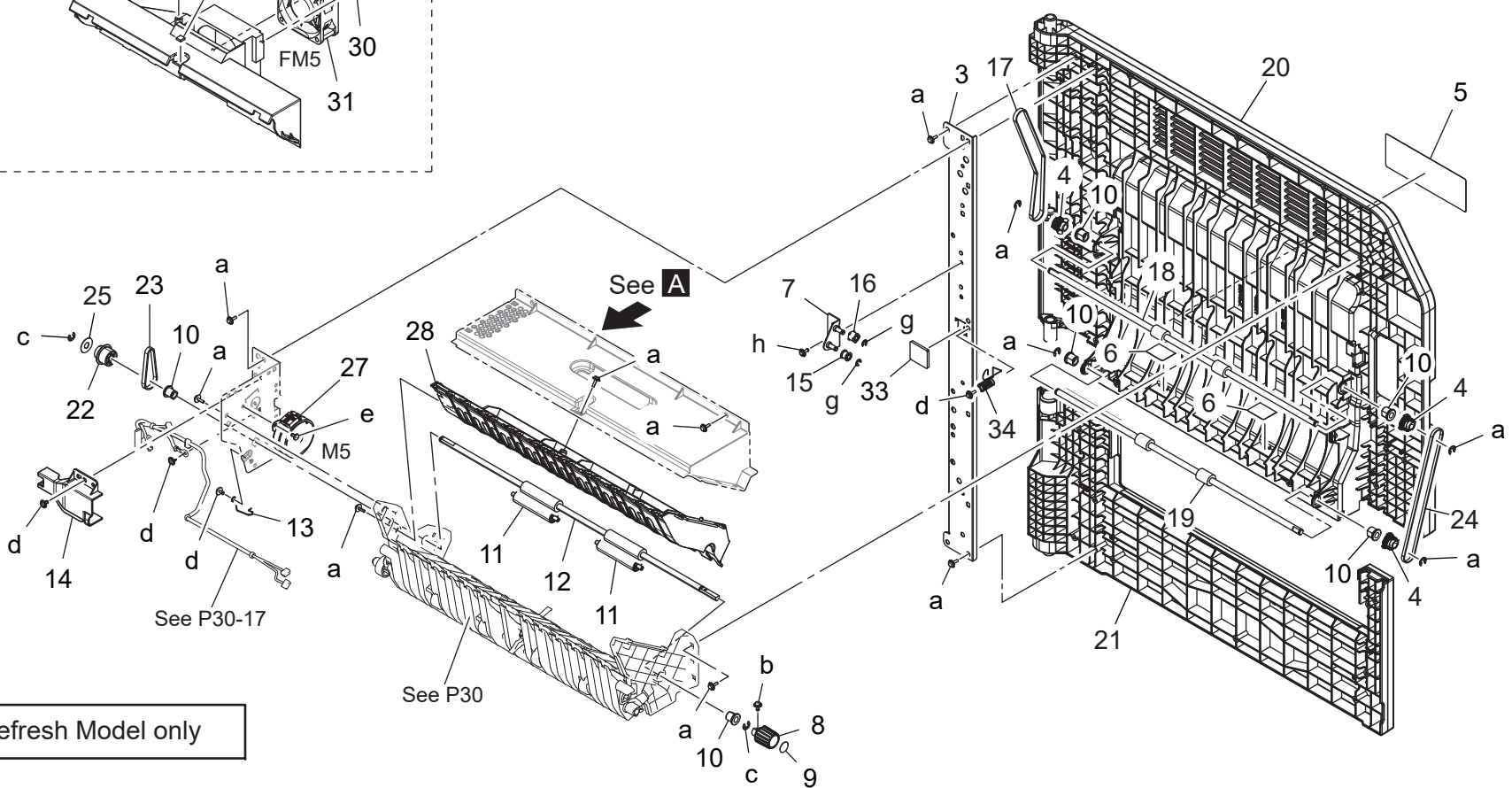
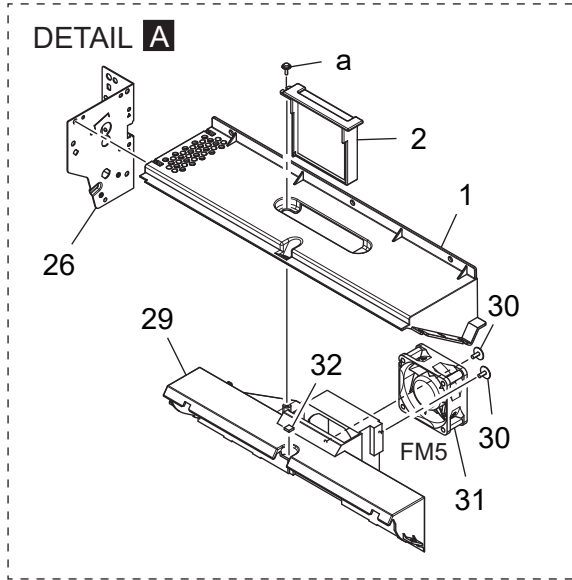


REVERSAL SECTION

| Key | Part No. | Description | Destinations | Class | QTY | Standard parts |
|-----|---------------|---------------------|--------------|-------|-----|--|
| 1 | A7AH813200 | Cover /Upper | | D | 1 | a-V153030803 b-V125030803 c-V217040001 d-V144030603 e-V143030603 f-V218040086 |
| 2 | A7AHR71800 | Stench filter Assy | | C | 1 | |
| 3 | A7AH705600Old | Reinforce Plate | | D | 1 | |
| 3 | A7AH705611Old | Reinforce Plate | | D | 1 | |
| 3 | A7AH705623 | Reinforce Plate | | D | 1 | |
| 4 | A7AH705002 | Door /Upper | | C | 1 | |
| 5 | A7AH943001 | Label Paper supply | | C | 1 | |
| 6 | A7AH709000 | Seal | | C | 2 | |
| 7 | A7AH705100 | Door /Lower | | C | 1 | |
| 8 | A161814700 | Knob /A | | C | 1 | |
| 9 | A7AH944200 | Label M4 | | C | 1 | |
| 10 | A02E815200 | BUSHING | | C | 2 | |
| 11 | A161825700 | Idler Roller /A | | D | 2 | |
| 12 | A7AH814000Old | Roller /B | | C | 1 | |
| 12 | A7AH814011 | Roller /B | | C | 1 | |
| 13 | A7AH813600 | Ground Contact | | D | 1 | |
| 14 | A7AH814901 | Cover | | D | 1 | |
| 15 | A7AH814700 | Gear 23T | | C | 1 | |
| 16 | A7AH814600 | Gear 23T | | C | 1 | |
| 17 | A7AH815601 | Roll | | C | 1 | |
| 19 | 4038218401 | SHOULDER SCREW | | C | 2 | |
| 21 | A7AH814500 | Belt 222L | | C | 1 | |
| 22 | A7AH814400 | Pulley 22/27T | | C | 1 | |
| 23 | A7AH814300 | Belt 112L | | C | 1 | |
| 24 | A7AH815700 | Pulling Coil spring | | C | 1 | |
| 25 | A7AH815500 | Mounting Plate | | D | 1 | |
| 26 | A7AH814100 | Drive Side plate | | D | 1 | |
| 27 | A7AHM10700 | Stepping motor | | C | 1 | |
| 28 | A7AH813102 | Guide /Upper | | D | 1 | |
| 29 | A7AH145401 | Duct | | D | 1 | |
| 30 | 4163529301 | SCREW | | C | 2 | |
| 31 | 4556M10000 | Fan Motor | | B | 1 | |
| 32 | A7AH892300 | Cushion | | C | 1 | |
| 34 | A7AH815100 | Drive Plate | | D | 1 | |
| 35 | A7AH815200 | Washer | | D | 2 | |
| 36 | A7AH709100 | Cushion | | C | 1 | |
| 37 | A7PU944601 | Label | A,A1 | C | 1 | |
| | | | | | | |
| | | | | | | |
| | | | | | | |

REVERSAL SECTION

P 29A

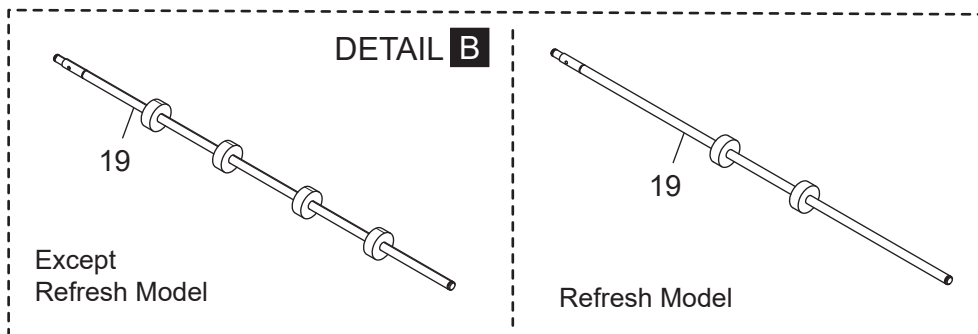
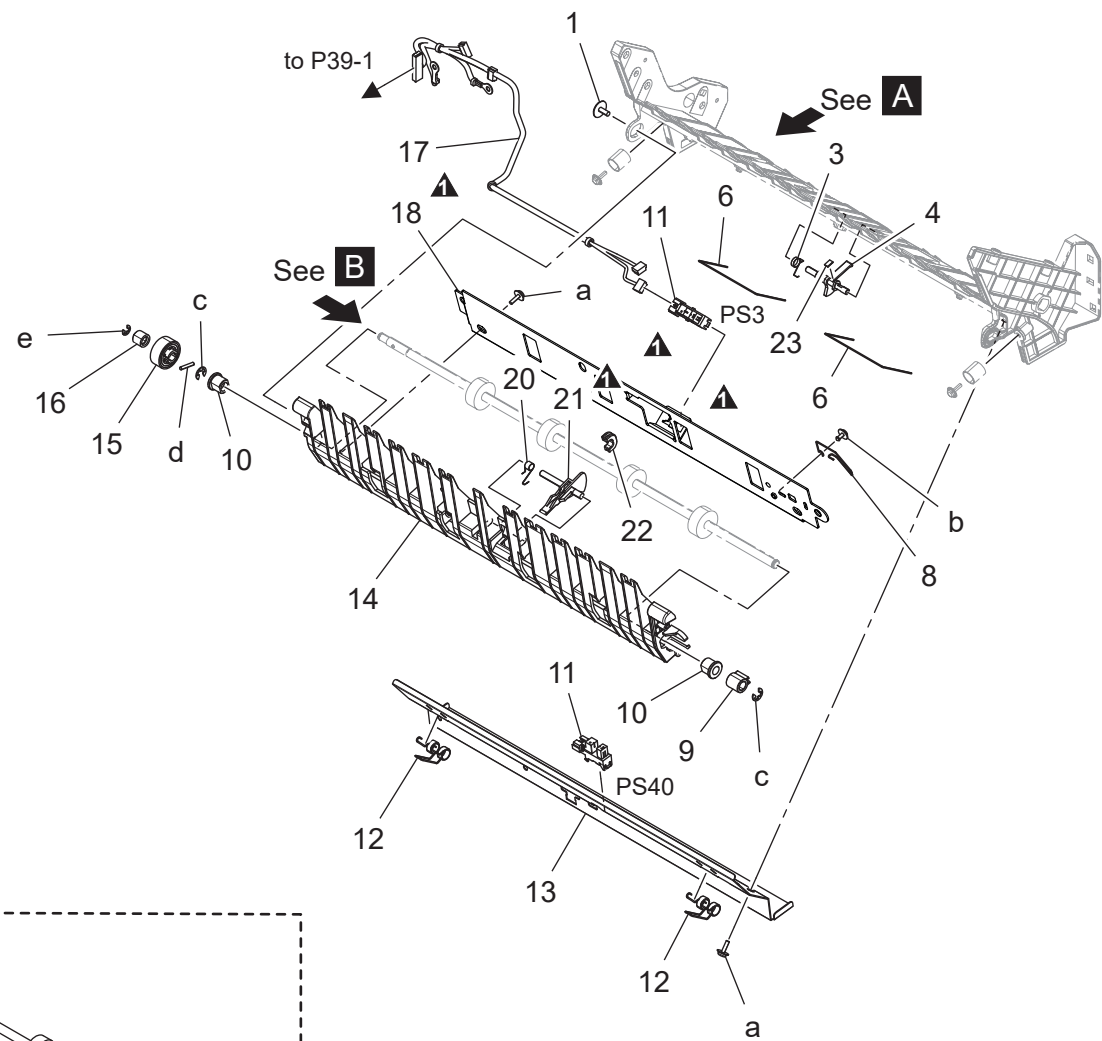
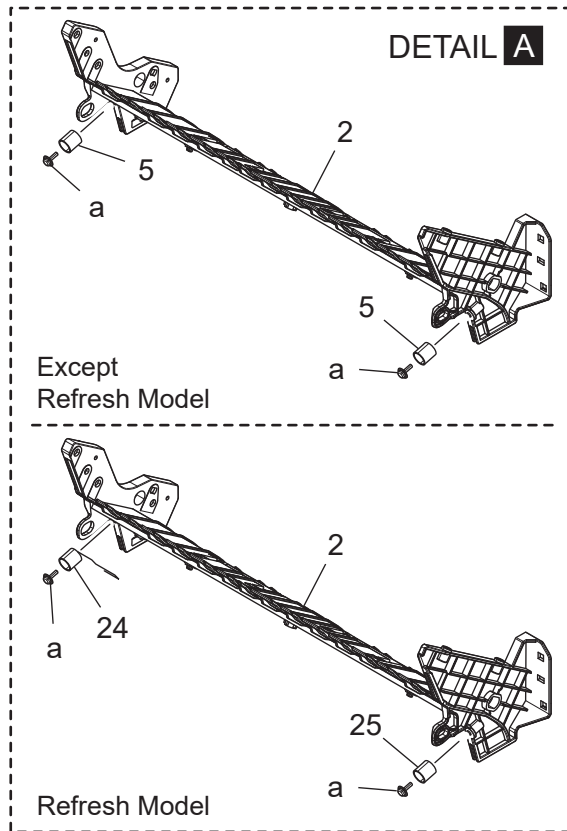


Refresh Model only

REVERSAL SECTION

| Key | Part No. | Description | Destinations | Class | QTY | Standard parts |
|-----|------------|--------------------|-----------------|-------|-----|--|
| 1 | A7AH813200 | Cover /Upper | (Refresh Model) | D | 1 | a-V153030803 b-V125030803 c-V217040001 d-V144030603 e-V143030603 g-V217030001 h-V144030803 |
| 2 | A7AHR71800 | Stench filter Assy | (Refresh Model) | C | 1 | |
| 3 | A7AH705623 | Reinforce Plate | (Refresh Model) | D | 1 | |
| 4 | A0ED811700 | Pulley 22T | (Refresh Model) | C | 3 | |
| 5 | A7AH943001 | Label Paper supply | (Refresh Model) | C | 1 | |
| 6 | A7AHPPB800 | Sheet | (Refresh Model) | C | 2 | |
| 7 | A7AHPP7900 | Mounting Plate | (Refresh Model) | D | 1 | |
| 8 | A161814700 | Knob /A | (Refresh Model) | C | 1 | |
| 9 | A7AH944200 | Label M4 | (Refresh Model) | C | 1 | |
| 10 | A02E815200 | BUSHING | (Refresh Model) | C | 6 | |
| 11 | A161825700 | Idler Roller /A | (Refresh Model) | D | 2 | |
| 12 | A7AH814011 | Roller /B | (Refresh Model) | C | 1 | |
| 13 | A7AH813600 | Ground Contact | (Refresh Model) | D | 1 | |
| 14 | A7AH814901 | Cover | (Refresh Model) | D | 1 | |
| 15 | A7AHPP8000 | Roll | (Refresh Model) | C | 1 | |
| 16 | A7AHPP8100 | Pulley 15T | (Refresh Model) | C | 1 | |
| 17 | A7AHPP8200 | Timing Belt | (Refresh Model) | C | 1 | |
| 18 | A7AHPP8800 | Roller | (Refresh Model) | C | 1 | |
| 19 | A7AHPP8900 | Roller | (Refresh Model) | C | 1 | |
| 20 | A7AHPP9500 | Door /Upper | (Refresh Model) | C | 1 | |
| 21 | A7AHPP9600 | Door /Lower | (Refresh Model) | C | 1 | |
| 22 | A7AH814400 | Pulley 22/27T | (Refresh Model) | C | 1 | |
| 23 | A7AH814300 | Belt 112L | (Refresh Model) | C | 1 | |
| 24 | A7AH817301 | Belt 296L | (Refresh Model) | C | 1 | |
| 25 | A7AH815200 | Washer | (Refresh Model) | D | 1 | |
| 26 | A7AH814100 | Drive Side plate | (Refresh Model) | D | 1 | |
| 27 | A7AHM10700 | Stepping motor | (Refresh Model) | C | 1 | |
| 28 | A7AH813102 | Guide /Upper | (Refresh Model) | D | 1 | |
| 29 | A7AH145401 | Duct | (Refresh Model) | D | 1 | |
| 30 | 4163529301 | SCREW | (Refresh Model) | C | 2 | |
| 31 | 4556M10000 | Fan Motor | (Refresh Model) | B | 1 | |
| 32 | A7AH892300 | Cushion | (Refresh Model) | C | 1 | |
| 33 | A7AH709100 | Cushion | (Refresh Model) | C | 1 | |
| 34 | A7AHPP7700 | Ground Spring | (Refresh Model) | D | 1 | |
| | | | | | | |
| | | | | | | |
| | | | | | | |
| | | | | | | |

REVERSAL SECTION



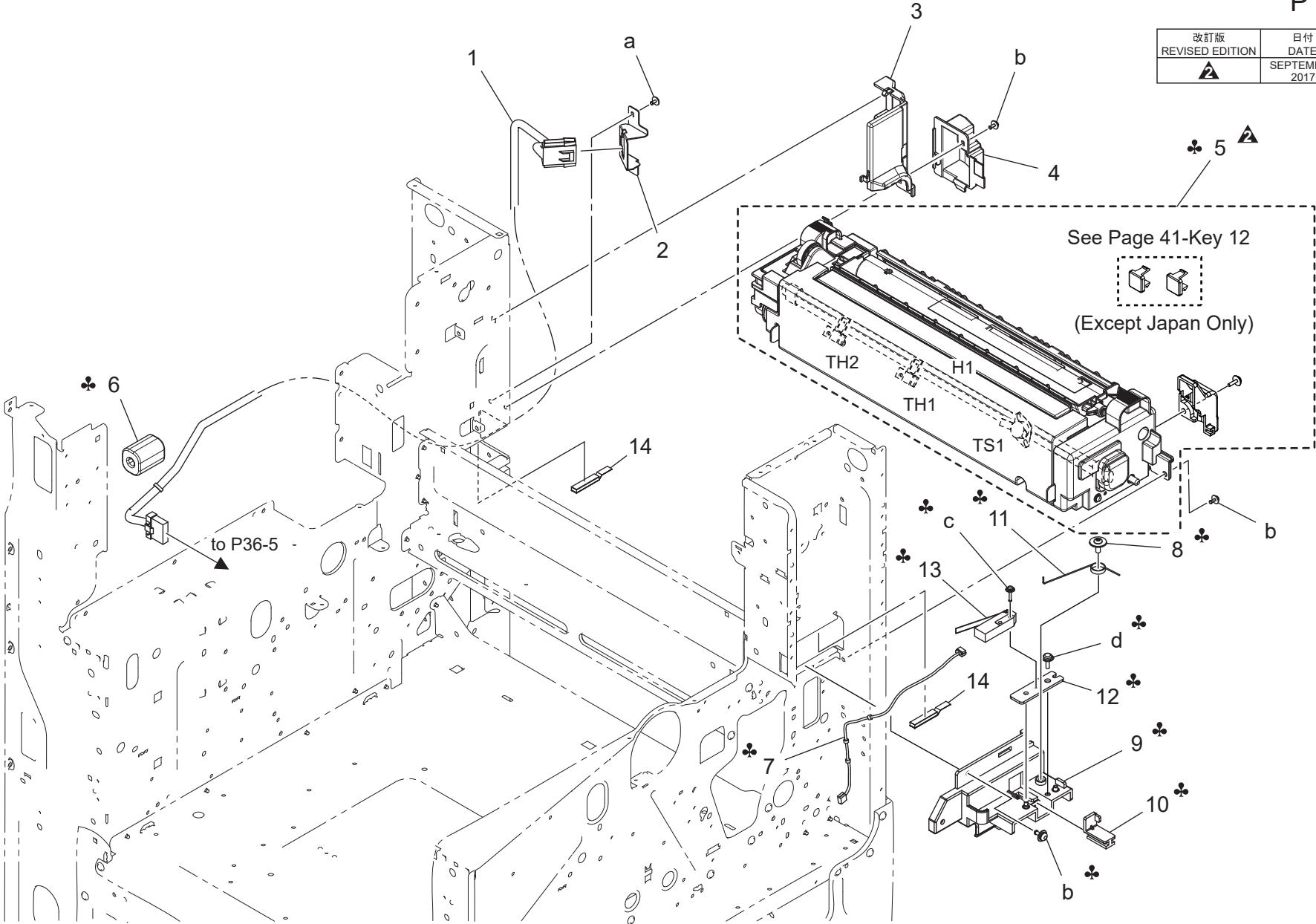
| | |
|------------------------|----------------|
| 改訂版 REVISED EDITION | 日付 DATE |
| | AUGUST 2017 |

REVERSAL SECTION

| Key | Part No. | Description | Destinations | Class | QTY | Standard parts |
|-----|---------------|-------------------------|------------------------|-------|-----|--|
| 1 | 4163529301 | SCREW | | C | 1 | a-V153030803 b-V144030603 c-V217040001 d-V234201250 e-V217030001 |
| 2 | A7AH813001 | Guide /Lower | | D | 1 | |
| 3 | A161712800 | Spring /D | | D | 1 | |
| 4 | A161813200 | Actuator | | C | 1 | |
| 5 | A161813600 | Pressing Spring /A | (Except Refresh Model) | C | 2 | |
| 6 | A0ED815100 | Holding Part | | D | 2 | |
| 8 | A161819400 | Contact /C | | D | 1 | |
| 9 | A161814500 | Bushing /B | | C | 1 | |
| 10 | A02E815200 | BUSHING | | C | 2 | |
| 11 | A5C1M50100 | Photointerrupter | | B | 2 | |
| 12 | A161813400 | Torsion Coil spring | | D | 2 | |
| 13 | A7AH813300 | Mounting Plate | (Except Refresh Model) | D | 1 | |
| 13 | A7AHPP8700 | Mounting Plate | (Refresh Model) | D | 1 | |
| 14 | A7AH893102 | Guide Plate | (Except Refresh Model) | D | 1 | |
| 14 | A7AHPPA300 | Guide Plate | (Refresh Model) | D | 1 | |
| 15 | A7AH891100 | Gear 18T | | C | 1 | |
| 16 | A7AH893400 | Collar | | C | 1 | |
| 17 | A7AHN11802 | Harness /Conveyance | | D | 1 | |
| 18 | A7AH893301Old | Mounting Plate | | D | 1 | |
| 18 | A7AH893302 | Mounting Plate /2 | | D | 1 | |
| 19 | A7AH893000 | Paper exit Roller | (Except Refresh Model) | C | 1 | |
| 19 | A7AHPPA000 | Paper exit Roller | (Refresh Model) | C | 1 | |
| 20 | A161813100 | Torsion Coil spring | | C | 1 | |
| 21 | A7AH894000Old | Actuator | | C | 1 | |
| 21 | A7AH894001 | Actuator | | C | 1 | |
| 22 | A161819500 | Bushing /C | | C | 1 | |
| 23 | A7AH819400 | Seal | | C | 1 | |
| 24 | A7AHPPB900 | Compressing Coil spring | (Refresh Model) | D | 1 | |
| 25 | A161813600 | Pressing Spring /A | (Refresh Model) | C | 1 | |
| | | | | | | |
| | | | | | | |
| | | | | | | |
| | | | | | | |
| | | | | | | |

FUSING SECTION

| | |
|------------------------|-------------------|
| 改訂版 REVISED EDITION | 日付 DATE |
| | SEPTEMBER 2017 |

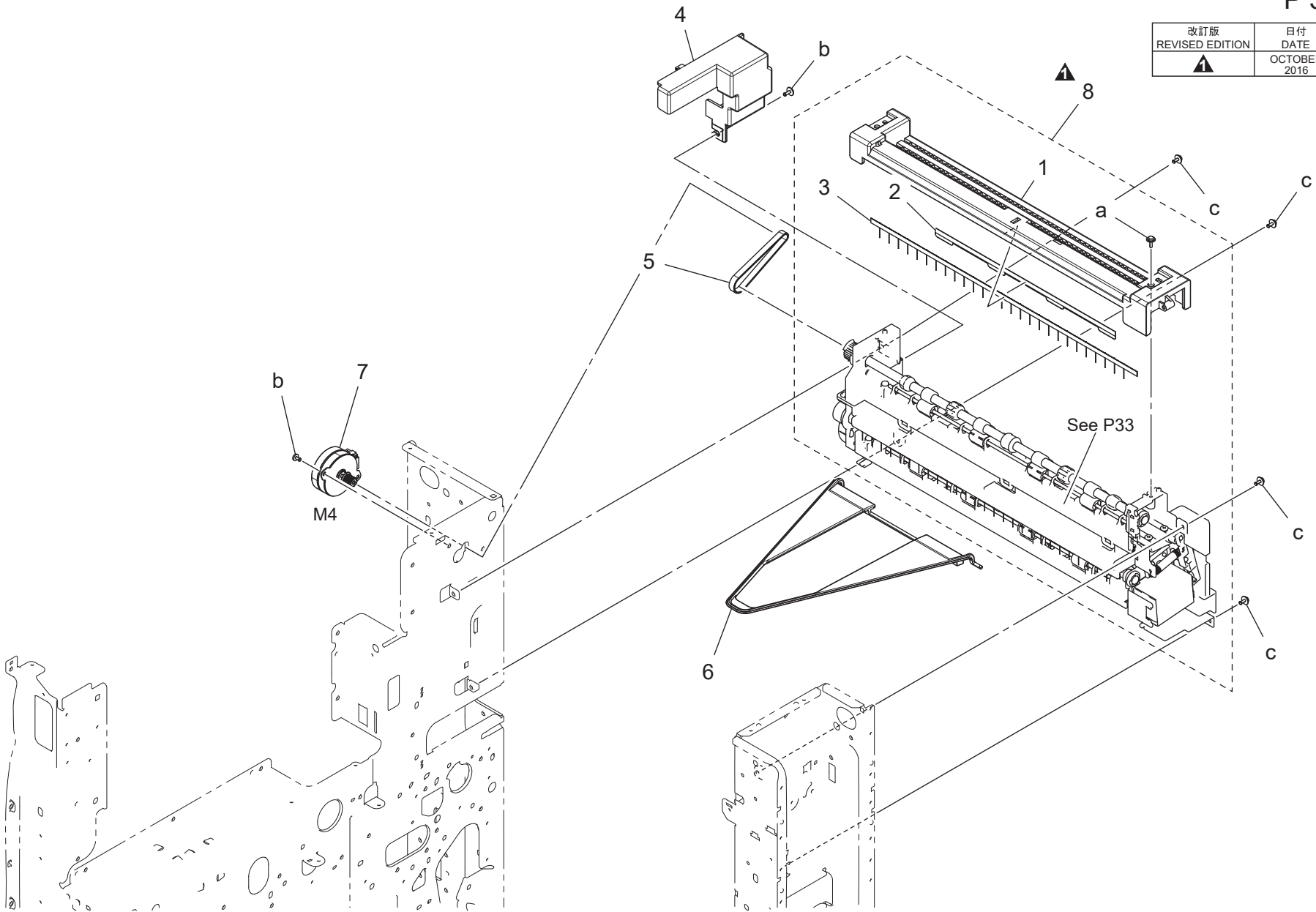


FUSING SECTION

| Key | Part No. | Description | Destinations | Class | QTY | Standard parts |
|-----|------------|--------------------------|--|-------|-----|--|
| 1 | A7AHN10401 | Harness /Fixing Relay | 定着中継束線 | D | 1 | a-V144030603 b-V125030803 c-V116021003 d-V153030803 |
| 2 | A7AH134500 | Mounting Plate | 取付板 | D | 1 | |
| 3 | A7AH133201 | Cover | カバー (定着サーミスタ) | D | 1 | |
| 4 | A7AH133101 | Cover | カバー | D | 1 | |
| 5 | A7AHR72211 | Fusing Unit /100V | 定着ユニット／100V (Except Refresh Model)A,A1 | A | 1 | |
| 5 | A7AHR72311 | Fusing Unit /120V | 定着ユニット／120V (Exept Refrsh Model)B,G2 | A | 1 | |
| 5 | A7AHR72411 | Fusing Unit /220-240V | 定着ユニット／220-240V (Except Refresh Model)C,D1,D3,E,F2,G1,I,K,J | A | 1 | |
| 5 | A7AHR73511 | Fusing Unit /110V | 定着ユニット／110V H(Except Refresh Model) | A | 1 | |
| 5 | A7AHPP3800 | Fusing Unit/120V | 定着ユニット／120V (Refresh Model)B,G2 | A | 1 | |
| 5 | A7AHPP3900 | Fusing Unit /220-240V | 定着ユニット／220-240V (Refresh Model)C,D1,D3,E,F2,G1,I,J,K | A | 1 | |
| 5 | A7AHPP4000 | Fusing Unit/100V | 定着ユニット／100V (Refresh Model)A,A1 | A | 1 | |
| 5 | A7AHPP4300 | Fusing Unit/110V | 定着ユニット／110V (Refresh Model)H | A | 1 | |
| 6 | A7AHM90300 | Ferritecore | フェライトコア | D | 1 | |
| 7 | A7AHN16400 | Fixing Detection harness | 定着検知束線 | D | 1 | |
| 8 | 4163529301 | SCREW | ねじ | C | 1 | |
| 9 | A7AH131500 | Holder | ホルダ (圧検出 SW) | A,A1 | D | 1 |
| 10 | A7AH131600 | Slide Lever | スライドレバー (圧検知) | A,A1 | D | 1 |
| 11 | A7AH131700 | Torsion Coil spring | ねじりコイルばね | A,A1 | C | 1 |
| 12 | A7AH131800 | Mounting Plate | 取付板 (SW) | A,A1 | D | 1 |
| 13 | A7AHM60200 | Micro switch | マイクロスイッチ | A,A1 | C | 1 |
| 14 | A7AH102500 | Cushion | クッション | C | 2 | |
| | | | | | | |
| | | | | | | |
| | | | | | | |
| | | | | | | |
| | | | | | | |
| | | | | | | |
| | | | | | | |

PAPER EXIT SECTION

| | |
|------------------------|-----------------|
| 改訂版 REVISED EDITION | 日付 DATE |
| ▲ | OCTOBER 2016 |

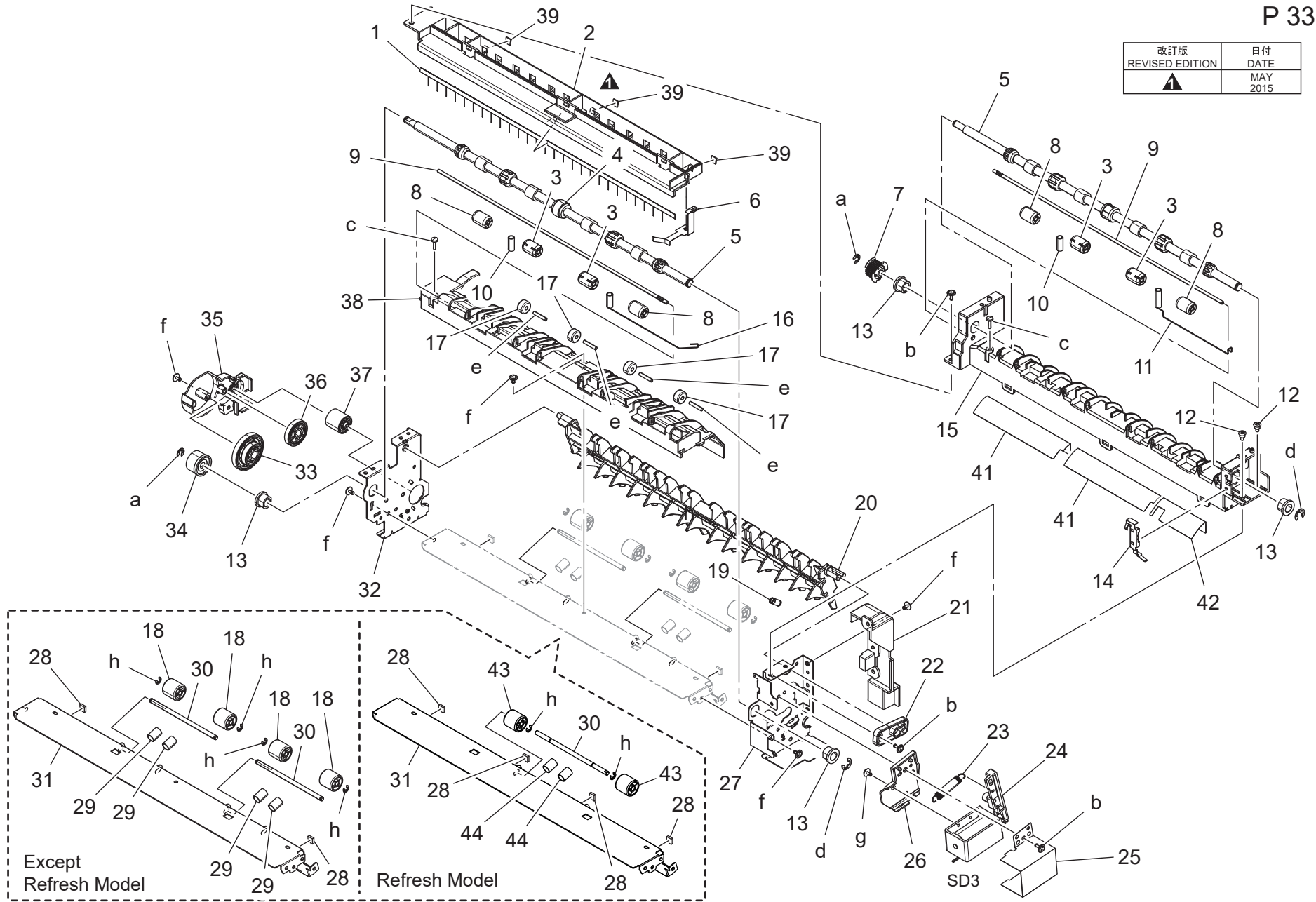


PAPER EXIT SECTION

| Key | Part No. | Description | Destinations | Class | QTY | Standard parts |
|-----|------------|--------------------|--|-------|-----|--|
| 1 | A7AH810201 | Cover | (Except Refresh Model) (Refresh Model) (Except Refresh Model) (Refresh Model) | C | 1 | a-V153030803 b-V143030603 c-V125030803 |
| 2 | A161894100 | Sheet | | D | 1 | |
| 3 | A161894000 | Neutralizing Brush | | C | 1 | |
| 3 | A7AHPPA200 | Neutralizing Brush | | C | 1 | |
| 4 | A7AH162700 | Cover | C | 1 | | |
| 4 | A7AHPP6400 | Cover | (Refresh Model) | C | 1 | |
| 5 | A7AH811200 | Timing belt 164L | | C | 1 | |
| 6 | A161897200 | Guide Part | | C | 1 | |
| 7 | A7AHM10700 | Stepping motor | | C | 1 | |
| 8 | A7AHR73700 | Paper Exit Assy | (Except Refresh Model) | S | 1 | |
| 8 | A7AHPP4100 | Paper Exit Assy | (Refresh Model) | S | 1 | |
| | | | | | | |
| | | | | | | |
| | | | | | | |
| | | | | | | |
| | | | | | | |
| | | | | | | |
| | | | | | | |
| | | | | | | |
| | | | | | | |
| | | | | | | |
| | | | | | | |
| | | | | | | |
| | | | | | | |

PAPER EXIT SECTION

| | |
|---|-------------|
| 改訂版 REVISED EDITION | 日付 DATE |
|  | MAY 2015 |

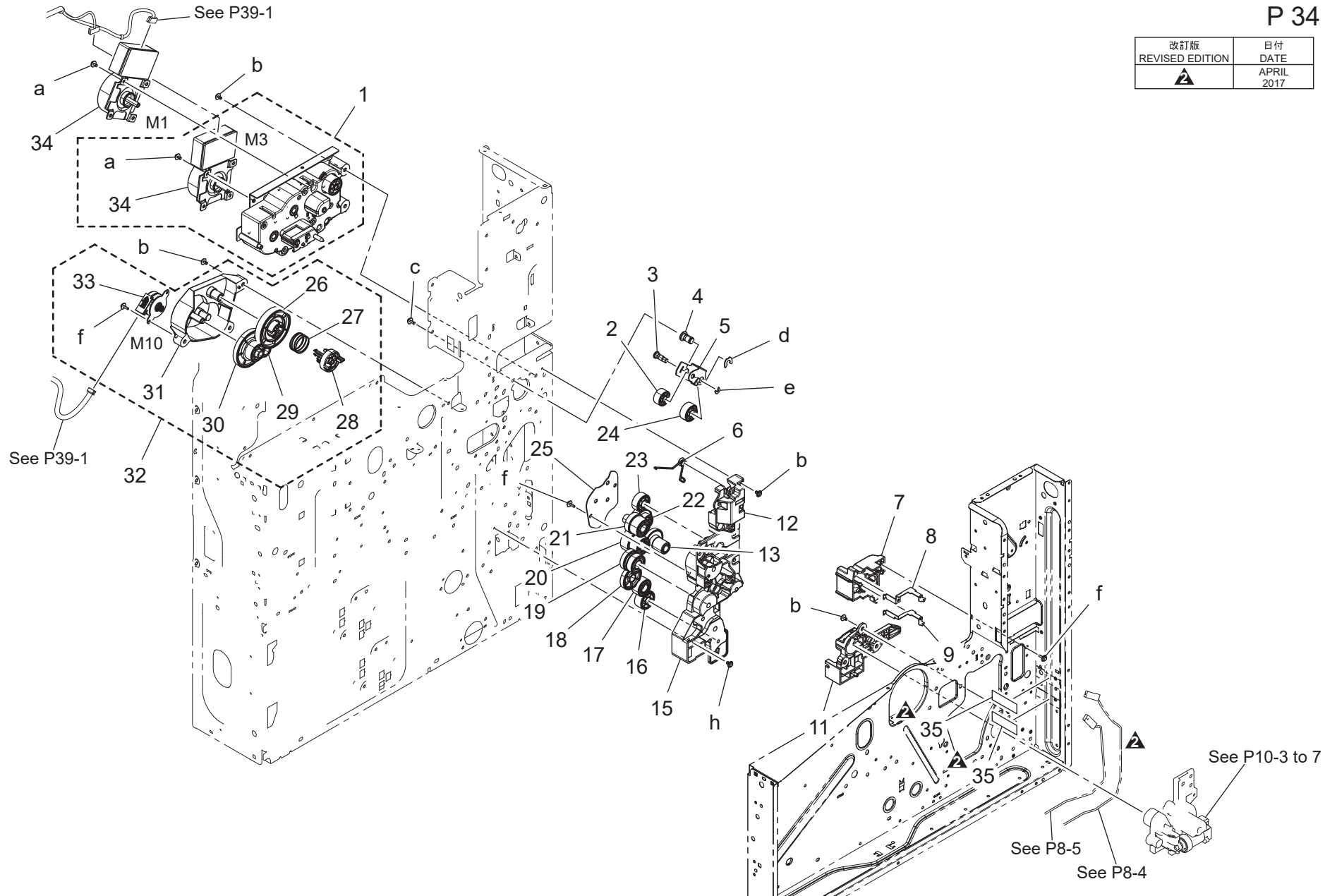


PAPER EXIT SECTION

| Key | Part No. | Description | Destinations | Class | QTY | Standard parts | |
|-----|------------|-------------------------|---------------|------------------------|-----|----------------|--|
| 1 | A161894000 | Neutralizing Brush | 除電ブラシ | (Except Refresh Model) | C | 1 | a-V217040001 b-V144030803 c-V149031003 d-V217060001 e-V234301650 f-V144030603 g-V127030604 h-V217030001 |
| 1 | A7AHPPA200 | Neutralizing Brush | 除電ブラシ | (Refresh Model) | C | 1 | |
| 2 | A7AH890300 | Guide | ガイド | | D | 1 | |
| 3 | A7AH892000 | Roll | ころ | | C | 4 | |
| 4 | A7AH891901 | Collar | カラー | | C | 1 | |
| 5 | A7AH891000 | Roller | ローラ | | D | 2 | |
| 6 | A7AH895601 | Ground Contact /Lower | アース接点／下 | | D | 1 | |
| 7 | A7AH811100 | Pulley | プーリ | | C | 1 | |
| 8 | 4004590301 | ROLL | ころ | | C | 4 | |
| 9 | A797893000 | Shaft | 軸 | | D | 2 | |
| 10 | A161892400 | Spring | ばね (排紙) | | C | 2 | |
| 11 | A7AH811300 | Ground Spring | アースばね | | C | 1 | |
| 12 | 1164202801 | SHOULDER SCREW | 段ねじ | | D | 2 | |
| 13 | A0ED891100 | Bushing | すべり軸受 | | D | 4 | |
| 14 | A7AH811500 | Ground Contact /Upper | アース接点／上 | | D | 1 | |
| 15 | A7AH810102 | Guide | ガイド | | C | 1 | |
| 16 | A7AH891500 | Ground Spring | アースばね | | C | 1 | |
| 17 | A0ED897700 | Collar | カラー (排紙) | | C | 4 | |
| 18 | A1UD721500 | Roll | ころ | (Except Refresh Model) | C | 4 | |
| 19 | A7AH891800 | Pulling Coil spring | 引張りコイルばね | | C | 1 | |
| 20 | A7AH812002 | Paper exit Guide | 排紙ガイド | | C | 1 | |
| 21 | A7AH892200 | Cover | カバー | | D | 1 | |
| 22 | A161891000 | Bushing | すべり軸受 | | D | 1 | |
| 23 | A7AH890800 | Pulling Coil spring | 引張りコイルばね | | C | 1 | |
| 24 | A7AHR72500 | Solenoid Assy | ソレノイド A s s y | | C | 1 | |
| 25 | A7AH890700 | Cover | カバー | | D | 1 | |
| 26 | A7AH890900 | Mounting Plate | 取付板 | | D | 1 | |
| 27 | A7AH890402 | Panel /Front | パネル／前 | | D | 1 | |
| 28 | A7AH892300 | Cushion | クッション | (Except Refresh Model) | C | 2 | |
| 28 | A7AHPPA100 | Cushion | クッション | (Refresh Model) | C | 4 | |
| 29 | A1UD722700 | Compressing Coil spring | 圧縮コイルばね | (Except Refresh Model) | C | 4 | |
| 30 | A7AH892101 | Shaft | 軸 | (Except Refresh Model) | D | 2 | |
| 30 | A7AHPP9900 | Shaft | 軸 | (Refresh Model) | D | 1 | |
| 31 | A7AH890200 | Reinforce Plate | 補強板 | (Except Refresh Model) | D | 1 | |
| 31 | A7AHPP9800 | Guide Plate | ガイド板 | (Refresh Model) | D | 1 | |
| 32 | A7AH890501 | Panel /Rear | パネル／後 | | D | 1 | |
| 33 | A7AH891200 | Gear 21/35T | ギア 21 / 35 T | | C | 1 | |
| 34 | A7AH891700 | Gear 18T | ギア 18 T | | C | 1 | |
| 35 | A7AH891400 | Drive Holder | 駆動ホルダ | | D | 1 | |
| 36 | A02F897200 | Gear 24T | ギヤ 24 T | | C | 1 | |
| 37 | A7AH891300 | Gear 16T | ギア 16 T | | C | 1 | |
| 38 | A7AH890102 | Guide | ガイド | (Except Refresh Model) | D | 1 | |
| 38 | A7AHPP9700 | Guide | ガイド | (Refresh Model) | D | 1 | |
| 39 | A161826001 | Cushion /B | クッション / B | | D | 3 | |
| 41 | A7AH819700 | Seal | シール | | C | 2 | |
| 42 | A7AH819900 | Seal | シール | | C | 1 | |
| 43 | A1UD721500 | Roll | ころ | (Refresh Model) | C | 2 | |
| 44 | A1UD722700 | Compressing Coil spring | 圧縮コイルばね | (Refresh Model) | C | 2 | |

DRIVE SECTION

| | |
|---|---------------|
| 改訂版 REVISED EDITION | 日付 DATE |
|  | APRIL 2017 |

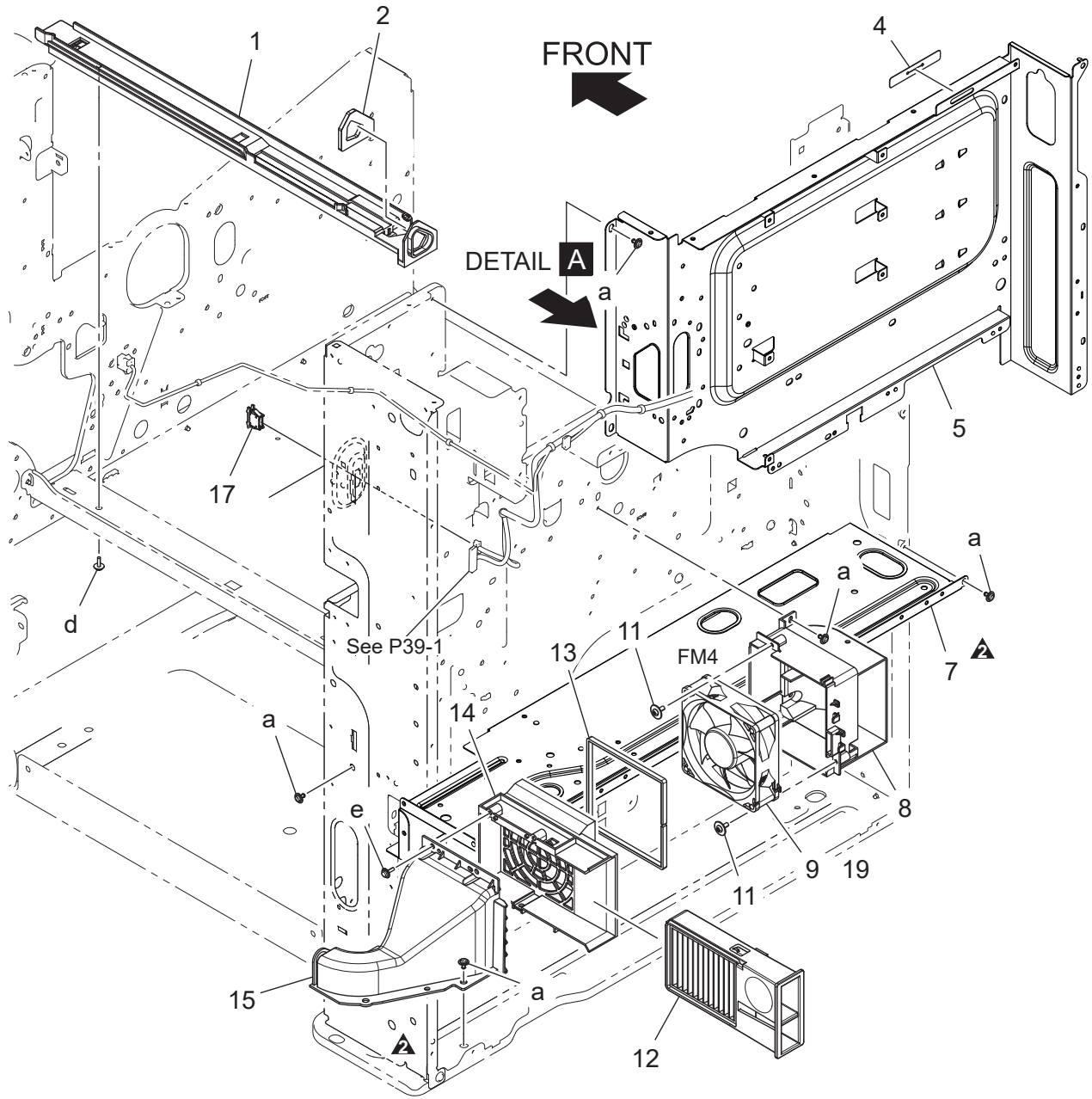


DRIVE SECTION

| Key | Part No. | Description | Destinations | Class | QTY | Standard parts | |
|-----|------------|---------------------------|--------------|-------|-----|--|--|
| 1 | A7AHR70700 | Main Drive Assy | | C | 1 | a-V116030603 b-V144030603 c-V125030803 d-V218060086 e-V218040086 f-V153030803 h-V144030803 | |
| 2 | A7AH215400 | Gear 23T | | C | 1 | | |
| 3 | A7AH214800 | Shaft | | D | 1 | | |
| 4 | A7AH214701 | Shaft | | D | 1 | | |
| 5 | A7AH215101 | Mounting Plate | | D | 1 | | |
| 6 | A7AH704900 | Connecting Spring | | C | 1 | | |
| 7 | A7AH704201 | Holder | | D | 1 | | |
| 8 | A7AH707201 | Contact | | D | 1 | | |
| 9 | A7AH707101 | Contact | | D | 1 | | |
| 11 | A7AH704601 | Positioning Holder /Front | | D | 1 | | |
| 12 | A7AH704701 | Positioning Holder /Rear | | D | 1 | | |
| 13 | A7AH213500 | Gear 14/37T | | C | 1 | | |
| 15 | A7AH213902 | Drive Holder | | D | 1 | | |
| 16 | A7AH212800 | Gear 28T | | C | 1 | | |
| 17 | A7AH213000 | Gear 26T | | C | 1 | | |
| 18 | A7AH212600 | Gear 37T | | C | 1 | | |
| 19 | A7AH216500 | Gear 23/31T | | C | 1 | | |
| 20 | A7AH212300 | Gear 27/35T | | C | 1 | | |
| 21 | A7AH212200 | Gear 22/29T | | C | 1 | | |
| 22 | A7AH212100 | Gear 30/35T | | C | 1 | | |
| 23 | A7AH211700 | Gear 26T | | C | 1 | | |
| 24 | A7AH214300 | Gear 26T | | C | 1 | | |
| 25 | A7AH212000 | Mounting Plate | | D | 1 | | |
| 26 | A161240600 | Gear 65T | | D | 1 | | |
| 27 | 4038541202 | PRESSURE SPRING | | C | 1 | | |
| 28 | A161240700 | Joint | | C | 1 | | |
| 29 | A7AH217100 | Gear 15/91T | | D | 1 | | |
| 30 | A161240400 | Gear 29/62T | | D | 1 | | |
| 31 | A7AH217002 | Drive Holder | | D | 1 | | |
| 32 | A7AHR70200 | Toner Bottle Drive Assy | | S | 1 | | |
| 33 | A7AHM10400 | Stepping motor | | C | 1 | | |
| 34 | A61DM10200 | brushless Motor /20 | | I | 2 | | |
| 35 | A7AH134700 | Seal | | D | 2 | | |
| | | | | | | | |
| | | | | | | | |
| | | | | | | | |
| | | | | | | | |
| | | | | | | | |

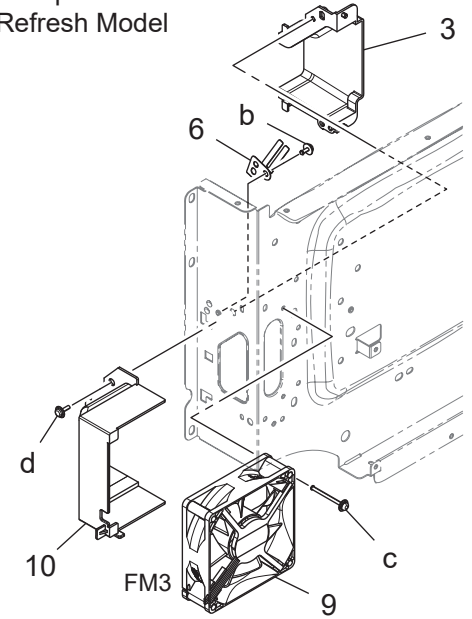
OZONE DUCT SECTION

| | |
|------------------------|-----------------|
| 改訂版 REVISED EDITION | 日付 DATE |
| | OCTOBER 2017 |

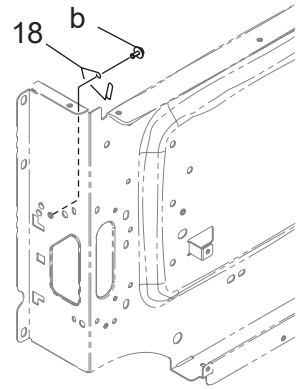


DETAIL A

Except Refresh Model



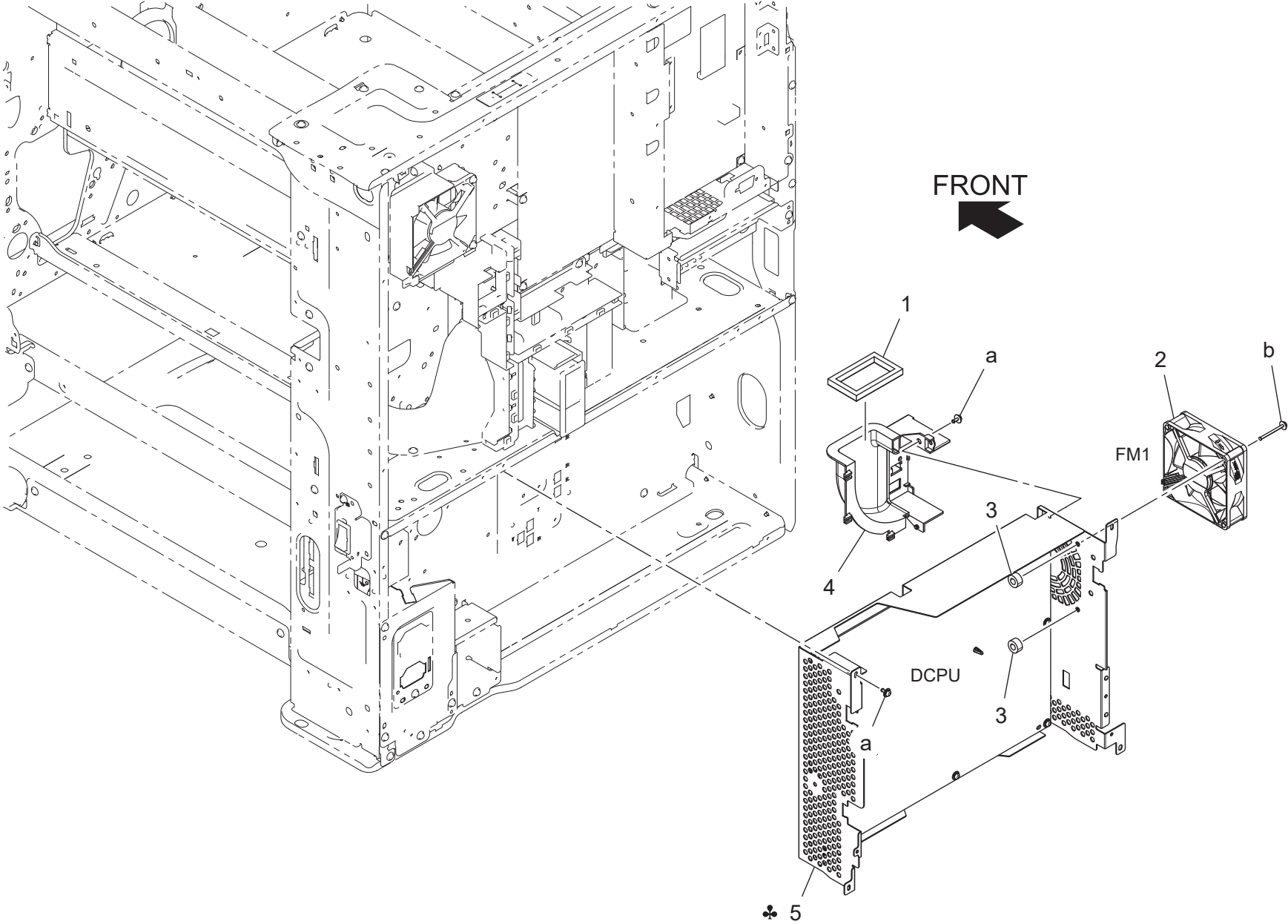
Refresh Model



OZONE DUCT SECTION

| Key | Part No. | Description | Destinations | Class | QTY | Standard parts |
|-----|---------------|-----------------|------------------------|-------|-----|--|
| 1 | A7AH115101 | Guide Rail | | D | 1 | a-V144030603 b-V125030803 c-V116033003 d-V153030803 e-V153031003 |
| 2 | A7AHPPB300 | Seal | (Except Refresh Model) | C | 1 | |
| 2 | A7AHPPB300 | Seal | (Refresh Model) | C | 1 | |
| 3 | A7AH145100 | Duct | | D | 1 | |
| 4 | A7AH135100 | Seal | | C | 1 | |
| 5 | A7AH101105 | Reinforce Plate | | D | 1 | |
| 6 | A7AH139101 | Ground Plate | | D | 1 | |
| 7 | A7AH101201Old | Stay /Rear | | D | 1 | |
| 7 | A7AH101212 | Stay /Rear | | D | 1 | |
| 8 | A7AH147100 | Duct | | D | 1 | |
| 9 | 4139M10001 | Fan motor | (Except Refresh Model) | B | 2 | |
| 10 | A7AH145201 | Duct | | D | 1 | |
| 11 | 4163529301 | SCREW | | C | 2 | |
| 12 | A7AHR72600 | Toner filter | | A | 1 | |
| 13 | A7AH146800 | Seal | | C | 1 | |
| 14 | A7AH146100 | Holder | | D | 1 | |
| 15 | A7AH146301Old | Duct | | D | 1 | |
| 15 | A7AH146312 | Duct | | D | 1 | |
| 17 | V651010045 | WtoW Connector | | D | 1 | |
| 18 | A7AHPP4700 | Holder | (Refresh Model) | D | 1 | |
| 19 | 4139M10001 | Fan motor | (Refresh Model) | B | 1 | |
| | | | | | | |
| | | | | | | |
| | | | | | | |
| | | | | | | |
| | | | | | | |
| | | | | | | |
| | | | | | | |
| | | | | | | |
| | | | | | | |

MAIN POWER SUPPLY SECTION

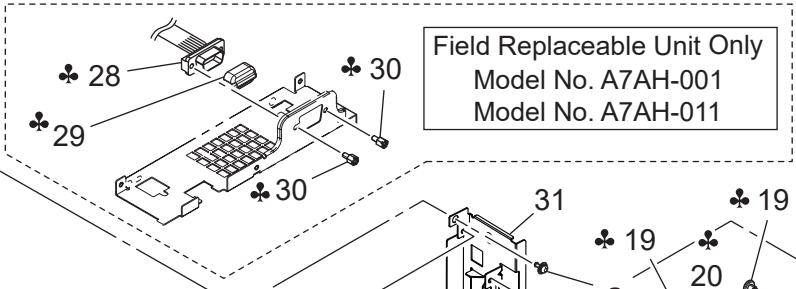


MAIN POWER SUPPLY SECTION

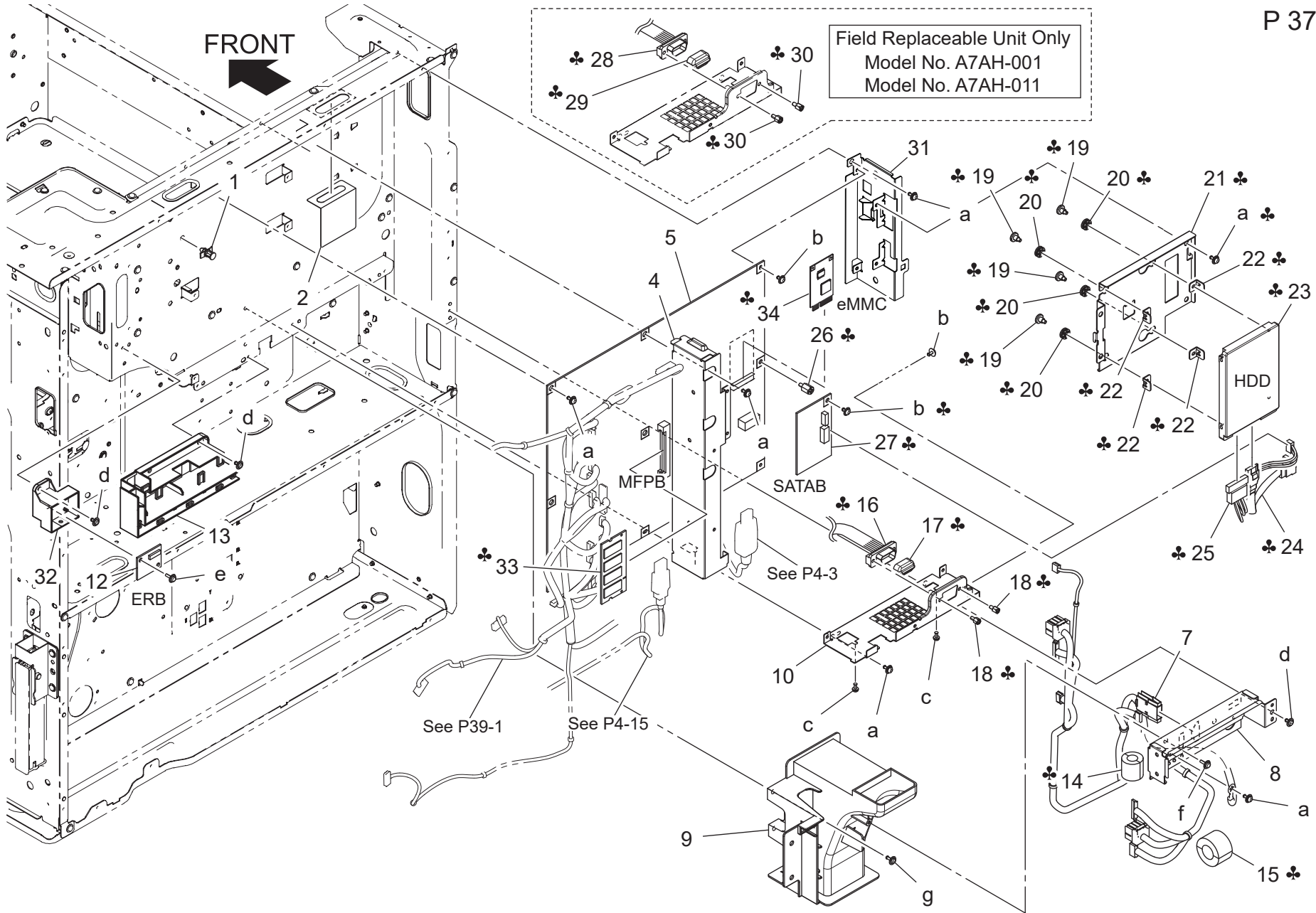
| Key | Part No. | Description | Destinations | Class | QTY | Standard parts |
|-----|------------|-----------------------------|--|-------|-----|------------------------------|
| 1 | A7AH141300 | Seal | | C | 1 | a-V125030803 b-V116033003 |
| 2 | 4139M10001 | Fan motor | | B | 1 | |
| 3 | 1154467001 | PROTECTION | | C | 2 | |
| 4 | A7AH141100 | Duct | | D | 1 | |
| 5 | A7AHPP3200 | Power supply Assy /100V | 低圧電源 A s s y / 1 0 0 V (Except Refresh Model)A,A1 | I | 1 | |
| 5 | A7AHPP3300 | Power supply Assy /120V | 低圧電源 A s s y / 1 2 0 V | I | 1 | |
| 5 | A7AHR70600 | Power supply Assy /220-240V | 低圧電源 A s s y / 2 2 0 - 2 4 0 V | I | 1 | |
| 5 | A7AHPP3300 | Power supply Assy /120V | 低圧電源 A s s y / 1 2 0 V | I | 1 | |
| 5 | A7AHPP3200 | Power supply Assy /100V | 低圧電源 A s s y / 1 0 0 V | I | 1 | |
| | | | | | | |
| | | | | | | |
| | | | | | | |
| | | | | | | |
| | | | | | | |
| | | | | | | |
| | | | | | | |
| | | | | | | |
| | | | | | | |
| | | | | | | |

ELECTRICAL COMPONENTS

FRONT

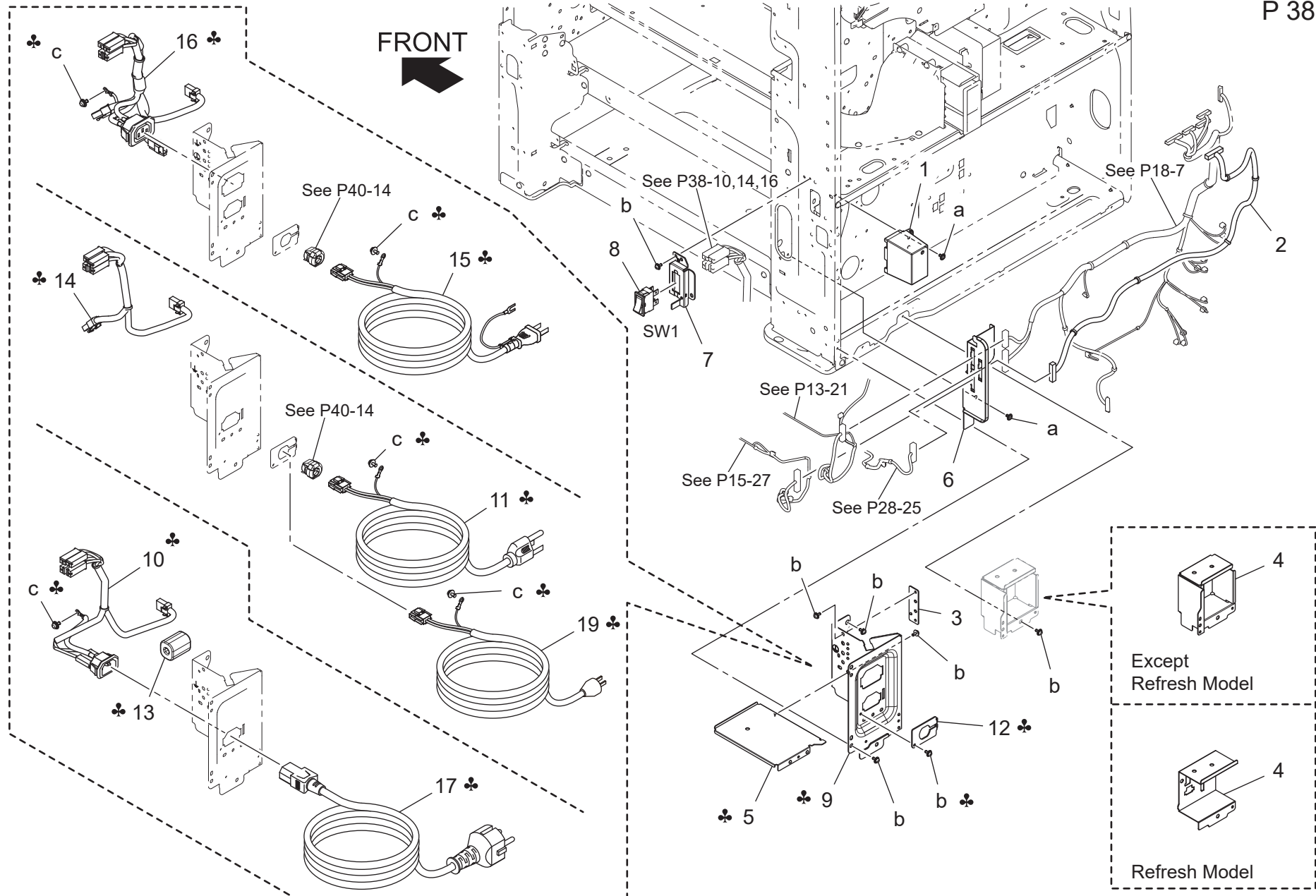
Field Replaceable Unit Only
 Model No. A7AH-001
 Model No. A7AH-011



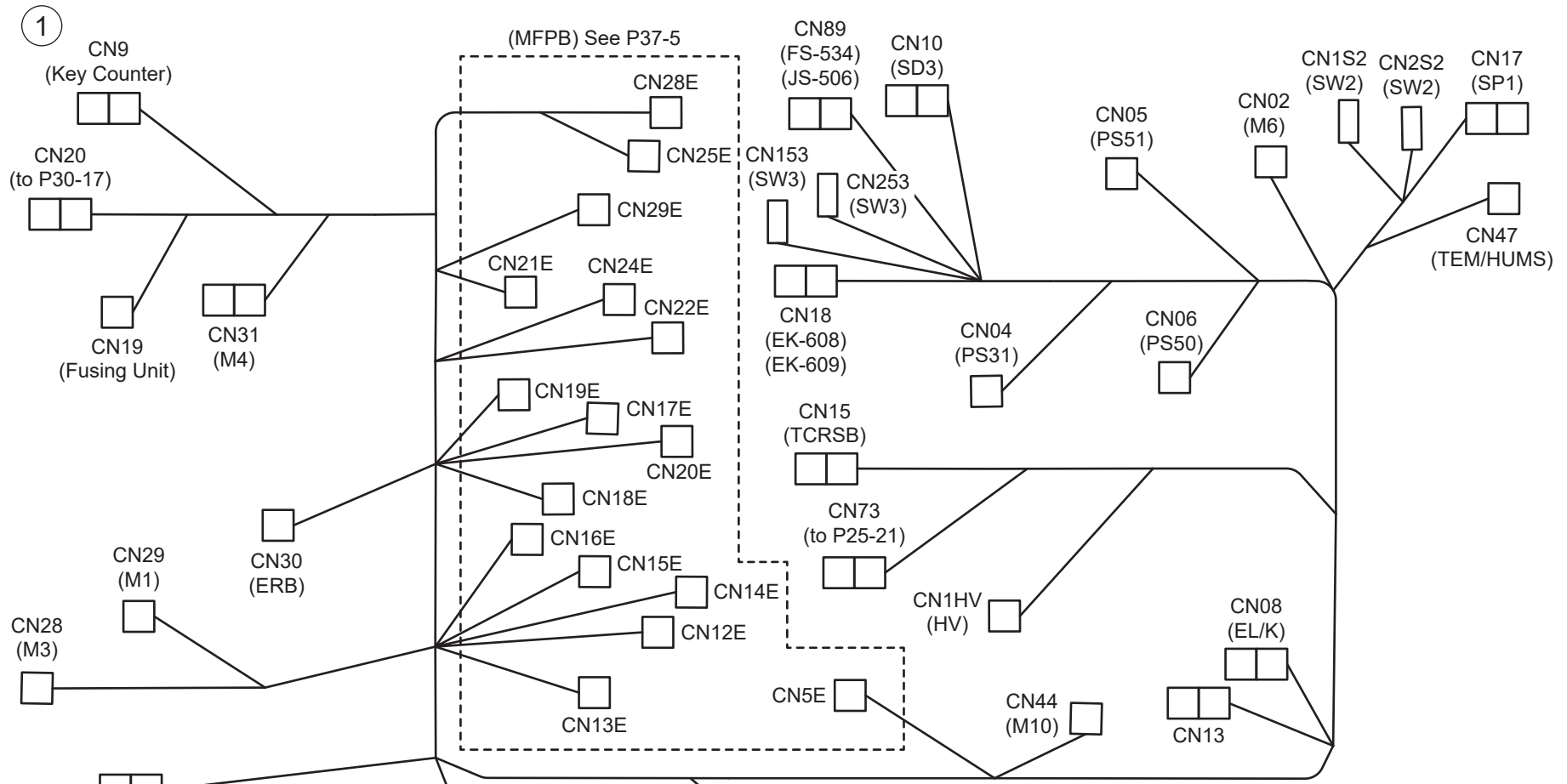
ELECTRICAL COMPONENTS

| Key | Part No. | Description | Destinations | Class | QTY | Standard parts |
|-----|------------|---------------------------------------|---|-------|-----|--|
| 1 | V502010036 | spacer | | D | 1 | a-V125030803 |
| 2 | A7AH130600 | Insulating Part | | C | 1 | b-V127030604 |
| 4 | A7AH130300 | Shield Plate | | D | 1 | c-V122030603 |
| 5 | A7AHH02022 | PWB Assembly (PWB-MFP) | | I | 1 | d-V144030603 |
| 5 | A7AHH02022 | PWB Assembly (PWB-MFP) | C,I(South Africa) A,A1,B,D1,D3,E,F2,G 1,G2,I(Except S-Afr ica),H,J,K | I | 1 | e-V153030803 f-V153031003 g-V144030803 |
| 7 | A7AHN10902 | Harness /DC Power source | | D | 1 | |
| 8 | A7AH139301 | Holder | | D | 1 | |
| 9 | A7AH141201 | Duct | | D | 1 | |
| 10 | A7AH130101 | Mounting Plate | | D | 1 | |
| 12 | A7AHH00C00 | PWB Assembly(PWB-EE) | | I | 1 | |
| 13 | A7AHP4500 | Guide | | D | 1 | |
| 14 | A49FM90100 | Ferritecore | | D | 1 | |
| 15 | A3EWM90200 | Ferritecore | | D | 1 | |
| 16 | A7AHN15A00 | Harness /Control | | D | 1 | |
| 17 | V503010002 | Connector Cover | | D | 1 | |
| 18 | A7AH131301 | Screw | | C | 2 | |
| 19 | A5C1134200 | Shoulder screw | | C | 4 | |
| 20 | A4EU138000 | Support Rubber | | D | 4 | |
| 21 | A7AH130401 | Mounting Plate | | D | 1 | |
| 22 | A5C1134111 | Spacer | | D | 4 | |
| 23 | A5C1M72H00 | HDD | | I | 1 | |
| 24 | A7AHN15100 | Signal Cable | | D | 1 | |
| 25 | A161N15J00 | Power source Cable | | C | 1 | |
| 26 | A161137600 | Shoulder screw | | D | 1 | |
| 27 | A7AHH02S02 | PWB Assmby(PWB-SATA) | | I | 1 | |
| 28 | A7AHN15A00 | Harness /Control | | D | 1 | |
| 29 | V503010002 | Connector Cover | | D | 1 | |
| 30 | A7AH131301 | Screw | | C | 2 | |
| 31 | A7AH131000 | Mounting Plate | | D | 1 | |
| 32 | A7AHP4600 | Holder | | D | 1 | |
| 33 | V865300085 | MEMORY MODULES | | C | 1 | |
| 34 | A7AHH02E03 | PWB Assembly(PWB-EMMC ASSY with TPM) | | I | 1 | |
| | | | | | | |

ELECTRICAL COMPONENTS



| Key | Part No. | Description | Destinations | Class | QTY | Standard parts |
|-----|---------------|----------------------------|--|-------|-----|--|
| 1 | A7AH132801 | Cover | | D | 1 | a-V144030603 b-V125030803 c-V116040803 |
| 2 | A7AHN13600 | Harness /Paper Feed Wiring | | D | 1 | |
| 3 | A7AH132600 | Mounting Plate | | D | 1 | |
| 4 | A7AH132200 | Mounting Plate | | D | 1 | |
| 4 | A7AHPP4400 | Mounting Plate | (Except Refresh Model) (Refresh Model) | D | 1 | |
| 5 | A7AH132300 | Mounting Plate | | D | 1 | |
| 6 | A7AH132900 | Mounting Plate | | D | 1 | |
| 7 | A7AH132400 | Mounting Plate | | D | 1 | |
| 8 | 4038M60000 | SEESAW-SWITCH | | C | 1 | |
| 9 | A7AH132101 | Mounting Plate | | D | 1 | |
| 9 | A7AH132702 | Mounting Plate | | D | 1 | |
| 10 | A7AHN10201 | Harness /AC Power source | A,C 電源束線 B,C,D1,D3,E,F2,G1,G 2,I,K,J,H | D | 1 | |
| 11 | A5C1N30000 | Power code /120V | 電源コード / 120 V (北米 / 15 A) | C | 1 | |
| 12 | A0ED135700 | Mounting Plate | 取付板 (電源コード) | D | 1 | |
| 12 | A0ED135700Old | Mounting Plate | 取付板 (電源コード) | D | 1 | |
| 12 | A7PU135700 | Mounting Plate | 取付板 (電源コード) | D | 1 | |
| 13 | A02EM70F00 | Ferritecore | フェライトコア | D | 1 | |
| 14 | A7AHN10101 | Harness /AC Power source | A,C 電源束線 | D | 1 | |
| 15 | A0EDN30002Old | Power source Cord /100V | 電源コード / 100 V | D | 1 | |
| 15 | AA6RN30000 | Power code (100V) | 電源コード (100 V) | D | 1 | |
| 16 | A7AHN10001 | Harness /AC Power source | A,C 電源束線 | D | 1 | |
| 17 | 4136N30000 | POWER CODE | プラグ電源コード | D | 1 | |
| 19 | A00JN30200Old | Power code | 電源コード (台湾) | C | 1 | |
| 19 | A8JEN30200 | Power code | 電源コード (台湾) | C | 1 | |
| | | | | | | |
| | | | | | | |
| | | | | | | |
| | | | | | | |
| | | | | | | |
| | | | | | | |
| | | | | | | |
| | | | | | | |
| | | | | | | |



Reference Page/Key of electric parts

| | | |
|-------------|-------------|-----------------------|
| EL/K: P11-5 | M4: P32-7 | SP1: P3-12 |
| ERB: P37-12 | M6: P9-27 | SW2: P3-15 |
| FM1: P36-2 | M10: P34-33 | SW3: P26-17 |
| FM4: P35-9 | PS31: P9-20 | TEM/HUMS: P3-10 |
| HV: P8-9 | PS50: P10-2 | FS-534,JS-506: Option |
| M1: P34-34 | PS51: P10-1 | EK-608,EK-609: Option |
| M3: P34-34 | SD3: P33-24 | |

WIRING

| Key | Part No. | Description | | Destinations | Class | QTY | Standard parts |
|-----|------------|--------------------|------|--------------|-------|-----|----------------|
| 1 | A7AHN11102 | Harness /Main body | 本体束線 | | D | 1 | |
| | | | | | | | |
| | | | | | | | |
| | | | | | | | |
| | | | | | | | |
| | | | | | | | |
| | | | | | | | |
| | | | | | | | |
| | | | | | | | |
| | | | | | | | |
| | | | | | | | |

WIRING ACCESSORIES AND JIGS

| | | | | | | | |
|---------------------------------------|--------------------------------------|------------------------------|----|----|----|----|----|
| <p>1</p> <p>White</p> <p>5.2 11.5</p> | <p>6</p> <p>White</p> <p>3.1 6.2</p> | <p>11</p> <p>20.1 15.9</p> | 16 | 21 | 26 | 31 | 36 |
| <p>2</p> <p>15.2 18.5</p> | <p>7</p> <p>White</p> <p>5.3 11</p> | <p>12</p> <p>0.1</p> | 17 | 22 | 27 | 32 | 37 |
| <p>3</p> <p>13.7 16</p> | <p>8</p> <p>12 6</p> | <p>13</p> <p>0.2</p> | 18 | 23 | 28 | 33 | 38 |
| <p>4</p> <p>23.4 18</p> | <p>9</p> <p>8.5 11.2</p> | <p>14 ♣</p> <p>10.7 19.8</p> | 19 | 24 | 29 | 34 | 39 |
| <p>5</p> <p>5.8 7.9</p> | <p>10</p> <p>8.1 16.3</p> | <p>15 ♣</p> <p>14.0</p> | 20 | 25 | 30 | 35 | 40 |

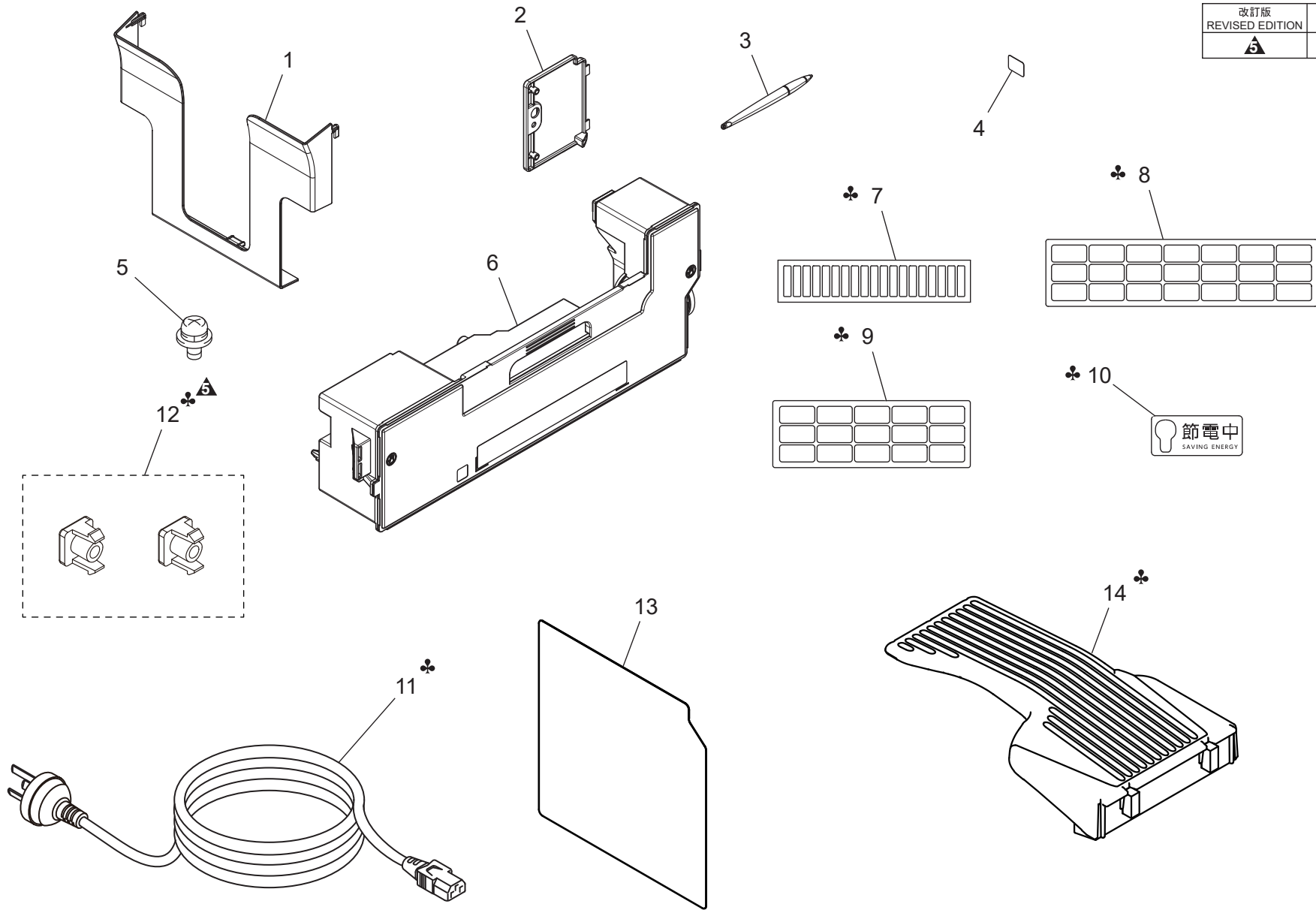
WIRING ACCESSORIES AND JIGS

| Key | Part No. | Description | Destinations | Class | QTY | Standard parts |
|-----|------------|--------------------------|--------------|-------|-----|----------------|
| 1 | V500010081 | Locking Wire Saddle | | D | | |
| 2 | V500010083 | Locking Wire Saddle | | D | | |
| 3 | V500010084 | Locking Wire Saddle | | D | | |
| 4 | V500010085 | Locking Wire Saddle | | D | | |
| 5 | V500020098 | Mini Locking wire saddle | | D | | |
| 6 | V500020099 | Mini Locking wire saddle | | D | | |
| 7 | V500020100 | Mini Locking wire saddle | | D | | |
| 8 | V500020108 | Reuse spacing clamp | | V | | |
| 9 | V570010021 | Saddle | | D | | |
| 10 | V570010057 | Wing Edge Saddle | | D | | |
| 11 | V570010060 | Wing Edge Saddle | | D | | |
| 12 | 4030205301 | SPACER (BLACK) | | C | | |
| 13 | 4030205401 | SPACER (WHITE) | | C | | |
| 14 | V500020052 | bushing | B,G2,H | D | 1 | |
| 15 | V500020073 | bushing | A,A1,H | D | 1 | |
| | | | | | | |
| | | | | | | |
| | | | | | | |
| | | | | | | |
| | | | | | | |
| | | | | | | |
| | | | | | | |
| | | | | | | |
| | | | | | | |
| | | | | | | |

ACCESSORY PARTS

P 41

| | |
|---|-----------------|
| 改訂版 REVISED EDITION | 日付 DATE |
|  | JANUARY 2018 |



| Key | Part No. | Description | Destinations | Class | QTY | Standard parts |
|-----|---------------|---|--|-------|-----|----------------|
| 1 | A00J169901Old | Holder | | C | 1 | |
| 1 | A90G169900 | Holder ホルダ (マニュアル) | | C | 1 | |
| 2 | A7AH163201 | Cover Plate /Left rear カバー板/左後 | | C | 1 | |
| 3 | A7AH166700 | Operation Shaft 操作軸 | | C | 1 | |
| 4 | A7AH266800 | Seal シール | | C | 1 | |
| 5 | V116030804 | Screw | | V | 1 | |
| 6 | A7XWWY2 | Waste Toner BOX 廃棄トナーボックス ASSY | C,D1,D3,E,F2,G1,H,I ,J,K | A | 1 | |
| 6 | A7XW0Y1 | CRU WX-104 CRU 廃棄トナーボトル WX-104 | B,G2 | A | 1 | |
| 6 | A7XW0Y1 | CRU WX-104 CRU 廃棄トナーボトル WX-104 | A,A1 | A | 1 | |
| 7 | A7AH947600 | Seal /Japanese シール/日本語 | A,A1 | C | 1 | |
| 7 | A7AH947201 | Seal/ English シール/英語 | B,D1,D3,E,F2,G1,G2, I (Except South Afr ica),K | C | 1 | |
| 7 | A7AH947301 | Seal/ Chinese シール/中国語 | J | C | 1 | |
| 7 | A7AH947401 | Seal シール (台湾語) | H | C | 1 | |
| 8 | A7AH942000 | Label Metric ラベル メトリック | A,A1,C,D1,D3,E,F2,G 1,I,K,J,H | C | 1 | |
| 9 | A7AH942100 | Label Inch ラベル インチ | B,G2 | C | 1 | |
| 10 | A1UD947400 | Label ラベル (国内省エネ) | A,A1 | C | 1 | |
| 11 | 9381430031 | POWER CORD プラグ付電源コード | J | D | 1 | |
| 11 | A2UPN30100 | Power code (220-240V) 電源コード (220-240V) | I(Saudi Arabia 220- 240V,Kuwait,UAE,Bah rain,Oman,Qatar,Yem en) | D | 1 | |
| 11 | A2UPN30601 | Power code (220-240V) 電源コード (220-240V) | G2(Brasil) | D | 1 | |
| 11 | A1UDN30200 | Power cord /230V 電源コード/230V (アルゼンチン) | G1(Argentina) | C | 1 | |
| 11 | A7AHN30000 | Power code /230V 電源コード/230V (インド) | D1(India) | D | 1 | |
| 11 | 9381420021 | POWER CORD プラグ付電源コード | D3(New Zealand) | D | 1 | |
| 11 | A2UPN30300 | Power code (220-240V) 電源コード (220-240V) | G1(Peru) | D | 1 | |
| 11 | 4136N30000 | POWER CODE プラグ電源コード | D1(Pakistan),G1(Lat in America) | D | 1 | |
| 12 | A7AH729501 | Cover カバー | B,C,D1,D3,E,F2,G1,G 2,H,I,J,K | D | 2 | |
| 13 | A7AH955500 | Sheet シート (ホルダ背面取付用) | | C | 1 | |
| 14 | A7PU169700 | Tray トレイ (サブ) | (Refresh Model)C,I | D | 1 | |
| | | | | | | |
| | | | | | | |
| | | | | | | |
| | | | | | | |
| | | | | | | |

MAINTENANCE LIST

● The items with no Page/Key numbers are not handled as spare parts.

| No. | Section | PM Parts Description | Maintenance Cycle (K=1,000) | | Parts No. | Destinations | Page/Key | Note | |
|-----|------------------------|---|-----------------------------|------------|------------|-------------------|-------------------|--------|----|
| | | | QTY | Replace | | | | | |
| 1 | Paper feed section | Tray 1 pick-up roller | 1 | 300k | A5C1562200 | | P13-14 | *2, *4 | |
| 2 | | Tray 1 feed roller | 1 | 300k | A00J563600 | | P13-12 | *2, *4 | |
| 3 | | Tray 1 separation roller | 1 | 300k | A00J563600 | | P14-10 | *2, *4 | |
| 4 | | Tray 2 pick-up roller | 1 | 300k | A5C1562200 | | P15-21 | *2, *4 | |
| 5 | | Tray 2 feed roller | 1 | 300k | A00J563600 | | P15-19 | *2, *4 | |
| 6 | | Tray 2 separation roller | 1 | 300k | A00J563600 | | P16-7 | *2, *4 | |
| 7 | | Manual bypass tray feed roller | 1 | 200k | A00F623201 | | P27-7 | *2, *4 | |
| 8 | | Manual bypass tray separation roller assy | 1 | 200k | 4658015106 | | P28-19 | *2, *4 | |
| 9 | Processing section | Toner cartridge/K *1 | 1 | 23k | - | | | *3 | |
| 10 | | Drum unit/K *1 | 1 | 85k | - | A,A1 | | *3 | |
| 11 | | | 1 | 105k | - | B,G2 | | *3 | |
| 12 | | | 1 | 105k | - | C,D1,D3,E,F2,G1,I | | *3 | |
| 13 | | Developing unit/K | | 1 | 545k | - | A,A1 | | *3 |
| 14 | | | | 1 | 590k | - | B,G2 | | *3 |
| 15 | | | | 1 | 600k | - | C,D1,D3,E,F2,G1,I | | *3 |
| 16 | | Toner filter | 1 | 150k | A7AHR72600 | | P35-12 | *3 | |
| 17 | | Paper dust remover unit | 1 | 150k | A7AHR72900 | | P25-7 | *3, *5 | |
| 18 | Ozone filter | 1 | 150k | A7AHR70300 | | P11-14 | *3 | | |
| 19 | Waste toner box *1 | 1 | 110k | A7XWWY2 | | P41-6 | *3, *6 | | |
| 20 | Image transfer section | Transfer roller unit | 1 | 150k | A7AHR72900 | | P25-7 | *3 | |
| 21 | Registration section | Ozone filter | 1 | 150k | A7AHR72000 | | P24-1 | *3 | |
| 22 | | Registration roller bushing | 4 | 900k | A7AH703201 | | P25-2 | *3, *4 | |
| 23 | | Registration roller gear/1 | 1 | 900k | 1164351501 | | P25-16 | *3, *4 | |
| 24 | | Registration roller gear/2 | 1 | 900k | A7AH707500 | | P25-15 | *3, *4 | |
| 25 | Fusing section | Fusing unit | 1 | 320k | A7AHR72211 | A,A1 | P31-5 | *3 | |
| 26 | | | 1 | 400k | A7AHR72311 | B,G2 | P31-5 | *3 | |
| 27 | | | 1 | 400k | A7AHR72411 | C,D1,D3,E,F2,G1,I | P31-5 | *3 | |

*1: The parts can be replaced either by user or service engineer.

*2: Actual durable cycle (life counter value)

*3: Field standard yield

*4: Replace those three parts at the same time.

*5: The ozone filter is furnished with the transfer roller unit (A7AH R729) so that all of them are replaced at same time.

*6: A waste toner full condition is detected with detecting the actual waste toner emissions.

メンテナンスリスト

● ページ / キーナンバーのないものは、アフターサービス部品ではありません。

| No. | 区分 | PM 部品名称 | サイクル (K=1,000) | | 部品番号 | 仕向地 | 頁 / キー | 備考 |
|-----|--------------|-------------------|----------------|---------|------------|-------------------|--------|--------|
| | | | 員数 | 交換 | | | | |
| 1 | 給紙部 | トレイ1ピックアップローラー | 1 | 300k | A5C1562200 | | P13-14 | *2, *4 |
| 2 | | トレイ1給紙ローラー | 1 | 300k | A00J563600 | | P13-12 | *2, *4 |
| 3 | | トレイ1分離ローラー | 1 | 300k | A00J563600 | | P14-10 | *2, *4 |
| 4 | | トレイ2ピックアップローラー | 1 | 300k | A5C1562200 | | P15-21 | *2, *4 |
| 5 | | トレイ2給紙ローラー | 1 | 300k | A00J563600 | | P15-19 | *2, *4 |
| 6 | | トレイ2分離ローラー | 1 | 300k | A00J563600 | | P16-7 | *2, *4 |
| 7 | | 手差しトレイ給紙ローラー | 1 | 200k | A00F623201 | | P27-7 | *2, *4 |
| 8 | | 手差しトレイ分離ローラー Assy | 1 | 200k | 4658015106 | | P28-19 | *2, *4 |
| 9 | プロセス部 | トナーカートリッジ / K *1 | 1 | 23k | - | | | *3 |
| 10 | | ドラムユニット / K *1 | 1 | 85k | - | A,A1 | | *3 |
| 11 | | | 1 | 105k | - | B,G2 | | *3 |
| 12 | | | 1 | 105k | - | C,D1,D3,E,F2,G1,I | | *3 |
| 13 | | 現像ユニット / K | 1 | 545k | - | A,A1 | | *3 |
| 14 | | | 1 | 590k | - | B,G2 | | *3 |
| 15 | | | 1 | 600k | - | C,D1,D3,E,F2,G1,I | | *3 |
| 16 | | トナーフィルター | 1 | 150k | A7AHR72600 | | P35-12 | *3 |
| 17 | | 紙粉除去クリーナーユニット | 1 | 150k | A7AHR72900 | | P25-7 | *3, *5 |
| 18 | | オゾンフィルター | 1 | 150k | A7AHR70300 | | P11-14 | *3 |
| 19 | 廃棄トナーボックス *1 | 1 | 110k | A7XWWY2 | | P41-6 | *3, *6 | |
| 20 | 転写部 | 転写ローラーユニット | 1 | 150k | A7AHR72900 | | P25-7 | *3 |
| 21 | レジスト部 | オゾンフィルター | 1 | 150k | A7AHR72000 | | P24-1 | *3 |
| 22 | | レジストローラー軸受 | 4 | 900k | A7AH703201 | | P25-2 | *3, *4 |
| 23 | | レジストローラーギア / 1 | 1 | 900k | 1164351501 | | P25-16 | *3, *4 |
| 24 | | レジストローラーギア / 2 | 1 | 900k | A7AH707500 | | P25-15 | *3, *4 |
| 25 | 定着部 | 定着ユニット | 1 | 320k | A7AHR72211 | A,A1 | P31-5 | *3 |
| 26 | | | 1 | 400k | A7AHR72311 | B,G2 | P31-5 | *3 |
| 27 | | | 1 | 400k | A7AHR72411 | C,D1,D3,E,F2,G1,I | P31-5 | *3 |

*1: ユーザー / サービス交換の選択が可能。

*2: ライフカウンター値

*3: 市場標準印刷枚数値

*4: 同時交換のこと

*5: 転写ローラーユニット (A7AH R729) に同梱されており、同時交換する。

*6: 廃棄トナーフル検知は、実際の廃棄トナー充填量を検知して行う。

DESTINATION

| Destination No. | | Destinations | | V | Hz | Model No. |
|-----------------|----|--|---|---------|-------|---------------------|
| A | A1 | JAPAN | | 100 | 50/60 | A7AH001/007 |
| | A2 | JAPAN | | 200 | 50/60 | |
| B | | USA, CANADA | | 120 | 60 | A7AH011/017/019 |
| C | | EUROPEAN TYPE | | 220-240 | 50/60 | A7AH021/027 |
| D | D1 | S.E ASIA TYPE | THAILAND, SRI LANKA, SINGAPORE, MALAYSIA, HONG KONG, PAKISTAN, INDIA, BANGLADESH, INDONESIA | 220-240 | 50/60 | A7AH041/047 |
| | D3 | OCEANIA TYPE | AUSTRALIA, NEW ZEALAND | 220-240 | 50/60 | A7AH041/047 |
| E | | PHILIPPINES | | 220-240 | 50/60 | A7AH041/047 |
| F | F1 | SAUDI ARABIA | | 127 | 60 | |
| | F2 | SAUDI ARABIA | | 220-240 | 50/60 | A7AH041/047 |
| G | G1 | C.S AMERICA | | 220-240 | 50/60 | A7AH041/047 |
| | G2 | C.S AMERICA | | 120 | 60 | A7AH011/017/019 |
| H | | TAIWAN | | 110 | 60 | A7AH071/077 |
| I | | JORDAN, LEBANON, SYRIA, SOUTH AFRICA, IRAQ, IRAN, N.YEMEN, CAMEROON, UAE, BAHRAIN, OMAN, QATAR, KUWAIT, KENYA, TUNISIA, IVORY COAST, MOROCCO | | 220-240 | 50/60 | A7AH021/041/027/047 |

| Destination No. | Destinations | V | Hz | Model No. |
|------------------------|---------------------|----------|-----------|-----------------------------|
| J | CHINA | 220-240 | 50/60 | A7AH081/ 082/087/ 088 |
| K | KOREA | 220-240 | 50/60 | A7AH091/ 092/097/ 098 |